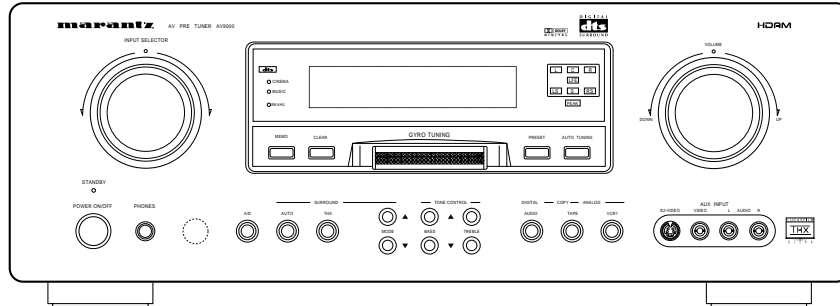


# Service Manual

AV9000 /K1G, /N1G, /S1G, /U1B

AV Pre Tuner



## TABLE OF CONTENTS

SECTION	PAGE
1. TECHNICAL SPECIFICATIONS .....	1
2. WIRING DIAGRAM .....	3
3. BLOCK DIAGRAM .....	5
4. SCHEMATIC DIAGRAM AND PARTS LOCATION (Pattern Side) .....	7
5. IC DATA .....	39
6. SERVICE PROGRAM .....	47
7. ALIGNMENT PROCEDURES .....	49
8. TROUBLE SHOOTING .....	51
9. TECHNICAL DESCRIPTION FOR DECODER .....	54
10. EXPLODED VIEW AND PARTS LIST .....	57
11. ELECTRICAL PARTS LIST .....	60

Please use this service manual with referring to the user guide (D.F.U) without fail.

# marantz®

- AV9000 -

## MARANTZ DESIGN AND SERVICE

Using superior design and selected high grade components, **MARANTZ** company has created the ultimate in stereo sound. Only original **MARANTZ** parts can insure that your **MARANTZ** product will continue to perform to the specifications for which it is famous.

Parts for your **MARANTZ** equipment are generally available to our National Marantz Subsidiary or Agent.

### ORDERING PARTS :

Parts can be ordered either by mail or by Fax.. In both cases, the correct part number has to be specified.

The following information must be supplied to eliminate delays in processing your order :

1. Complete address
2. Complete part numbers and quantities required
3. Description of parts
4. Model number for which part is required
5. Way of shipment
6. Signature : any order form or Fax. must be signed, otherwise such part order will be considered as null and void.

#### USA

**MARANTZ AMERICA, INC.**  
440 MEDINAH ROAD  
ROSELLE, ILLINOIS 60172  
USA  
PHONE : 630 - 307 - 3100  
FAX : 630 - 307 - 2687

#### EUROPE / TRADING

**MARANTZ EUROPE B.V.**  
P.O.BOX 80002, BUILDING SFF2  
5600 JB EINDHOVEN  
THE NETHERLANDS  
PHONE : +31 - 40 - 2732241  
FAX : +31 - 40 - 2735578

#### BRAZIL

**MARANTZ BRAZIL**  
CAIXA POSTAL 21462  
CEP 04698-970  
SAO PAULO, SP, BRAZIL  
PHONE : 0800 - 123123(Discagem Direta Gratuita)  
FAX : +55 11 534. 8988

#### PROFESSIONAL AMERICAS

**SUPERSCOPE TECHNOLOGIES, INC.**  
MARANTZ PROFESSIONAL PRODUCTS  
2640 WHITE OAK CIRCLE, SUITE A  
AURORA, ILLINOIS 60504 USA  
PHONE : 630 - 820 - 4800  
FAX : 630 - 820 - 8103

#### CANADA

**LENBROOK INDUSTRIES LIMITED**  
633 GRANITE COURT,  
PICKERING, ONTARIO L1W 3K1  
CANADA  
PHONE : 905 - 831 - 6333  
FAX : 905 - 831 - 6936

#### AUSTRALIA

**JAMO AUSTRALIA PTY LTD**  
1 EXPO COURT, P.O. BOX 350  
MT. WAVERLEY VIC 3149  
AUSTRALIA  
PHONE : +61 - 3 - 9543 - 1522  
FAX : +61 - 3 - 9543 - 3677

#### THAILAND

**MRZ STANDARD CO.,LTD**  
746 - 754 MAHACHAI ROAD.,  
WANGBURAPAPIROM, PHRANAKORN,  
BANGKOK, 10200 THAILAND  
PHONE : +66 - 2 - 222 9181  
FAX : +66 - 2 - 224 6795

#### SINGAPORE

**WO KEE HONG (S) PTE LTD**  
WO KEE HONG CENTRE  
NO.23, LORONG 8, TOA PAYOH  
SINGAPORE 319257  
PHONE : +65 2544555  
FAX : +65 2502213

#### TAIWAN

**PAI- YUING CO., LTD.**  
6 TH FL NO, 148 SUNG KIANG ROAD,  
TAIPEI, 10429, TAIWAN R.O.C.  
PHONE : +886 - 2 - 25221304  
FAX : +886 - 2 - 25630415

#### MALAYSIA

**WO KEE HONG ELECTRONICS SDN. BHD.**  
NO. 102 JALAN SS 21/35, DAMANSARA  
UTAMA, 47400 PETALING JAYA  
SELANGOR DARUL EHSAN, MALAYSIA  
PHONE : +60 3 - 7184666  
FAX : +60 3 - 7173828

#### JAPAN *Technical*

**MARANTZ JAPAN, INC.**  
35- 1, 7- CHOME, SAGAMIONO  
SAGAMIHARA - SHI, KANAGAWA  
JAPAN 228-8505  
PHONE : +81 42 748 1013  
FAX : +81 42 748 9190

#### 日本マランツ株式会社

本社 〒228-8505  
神奈川県相模原市相模大野7-35-1  
営業本部 〒150-0022  
東京都渋谷区恵比寿南1-11-9

#### KOREA

**MK ENTERPRISES LTD.**  
ROOM 604/605, ELECTRO-OFFICETEL, 16-58,  
3GA, HANGANG-RO, YONGSAN-KU, SEOUL  
KOREA  
PHONE : +822 - 3232 - 155  
FAX : +822 - 3232 - 154

### SHOCK, FIRE HAZARD SERVICE TEST :

**CAUTION :** After servicing this appliance and prior to returning to customer, measure the resistance between either primary AC cord connector pins ( with unit NOT connected to AC mains and its Power switch ON ), and the face or Front Panel of product and controls and chassis bottom.

Any resistance measurement less than 1 Megohms should cause unit to be repaired or corrected before AC power is applied, and verified before it is return to the user/customer.

Ref. UL Standard No. 1492.

In case of difficulties, do not hesitate to contact the Technical  
Department at above mentioned address.

# 1. TECHNICAL SPECIFICATIONS

## FM TUNER SECTION

Frequency Range ..... 87.5 – 108.0 MHz  
Usable Sensitivity ..... IHF 1.8  $\mu$ V / 16.4 dBf  
Signal to Noise Ratio ..... Mono / Stereo 76 / 72 dB  
Distortion ..... Mono / Stereo 0.2 / 0.3 %  
Stereo Separation ..... 1 kHz 45 dB  
Alternate Channel Selectivity .....  $\pm$ 400 kHz 60 dB (U version)  
 $\pm$ 300 kHz 60 dB (/K, /N, /S version)  
Image Rejection ..... 98 MHz 70 dB  
Tuner Output Level ..... 1 kHz, 75 kHz Dev 800 mV (U version)  
1 kHz, 40 kHz Dev 800 mV (/K, /N, /S version)

## AM TUNER SECTION

Frequency Range ..... 520 – 1710 kHz (/U version)  
531 – 1602 or 520 – 1710 kHz (/K version)  
531 – 1602 kHz (/N, /S version)  
Signal to Noise Ratio ..... 50 dB  
Usable Sensitivity ..... Loop 400  $\mu$ V  
Distortion ..... 400 Hz, 30 % Mod. 0.5 %  
Selectivity .....  $\pm$ 20 kHz 70 dB (U version)  
 $\pm$ 18 kHz 70 dB (/K, /N, /S version)

## AUDIO SECTION

THD Front (20 Hz – 20 kHz) ..... 0.01 % 1 V  
Input Sensitivity / Impedance for 1 V output  
Linear ..... 240 mV / 47 kohms  
Signal to Noise Rate ( IHF A ) 0.5 V input ( Volume : -10 dB )  
Linear ..... 80 dB

## VIDEO

Television Format ..... NTSC (/U version)  
PAL/NTSC (/K, /N, /S version)  
Input Level / Impedance ..... 1 Vp-p / 75 ohms  
Output Level / Impedance ..... 1 Vp-p / 75 ohms  
Video Frequency Response ..... 5 Hz to 8 MHz ( - 1 dB)  
S/N ..... 60 dB

## GENERAL

Power Requirement ..... AC 120V 60 Hz (/U version)  
AC 220 50 / 60 Hz (/K version)  
AC 230V 50 Hz (/N, /S version)  
Power Consumption ..... 55W  
Dimension ( MAX )  
Width ..... 17 - 3/8 inches (440 mm)  
Height ..... 6 - 5/16 inches (159 mm)  
Depth ..... 14 inches (355 mm)  
Weight ..... 17.7 lds. (8 kg)

## ACCESSORIES

Remote Control Unit RC-18SR ..... 1

## Dolby Digital(AC-3) SECTION

Output Level ( Master Volume is set 0 dB )  
Front L / R, CENTER, SURROUND L / R  
1 kHz, 0 dB FS INPUT ..... 2.4 V  
SUBWOOFER ( Master Volume is set -5 dB )  
30 Hz, 0 dB FS INPUT ..... 3.8 V

## Frequency Response

Front L/R, CENTER, SURROUND L / R ( LARGE )  
20 Hz – 20 kHz ..... -1 dB

## Total Harmonic Distortion ( Digital )

Front L / R, CENTER, SURROUND L / R ( 1 kHz ) ..... 0.01 % or less  
SUBWOOFER ( 30 Hz ) ..... 0.4 % or less  
Signal to Noise Ratio ( IHF-A ) ..... 96 dB  
Channel Separation ( 1 kHz ) ..... 70 dB

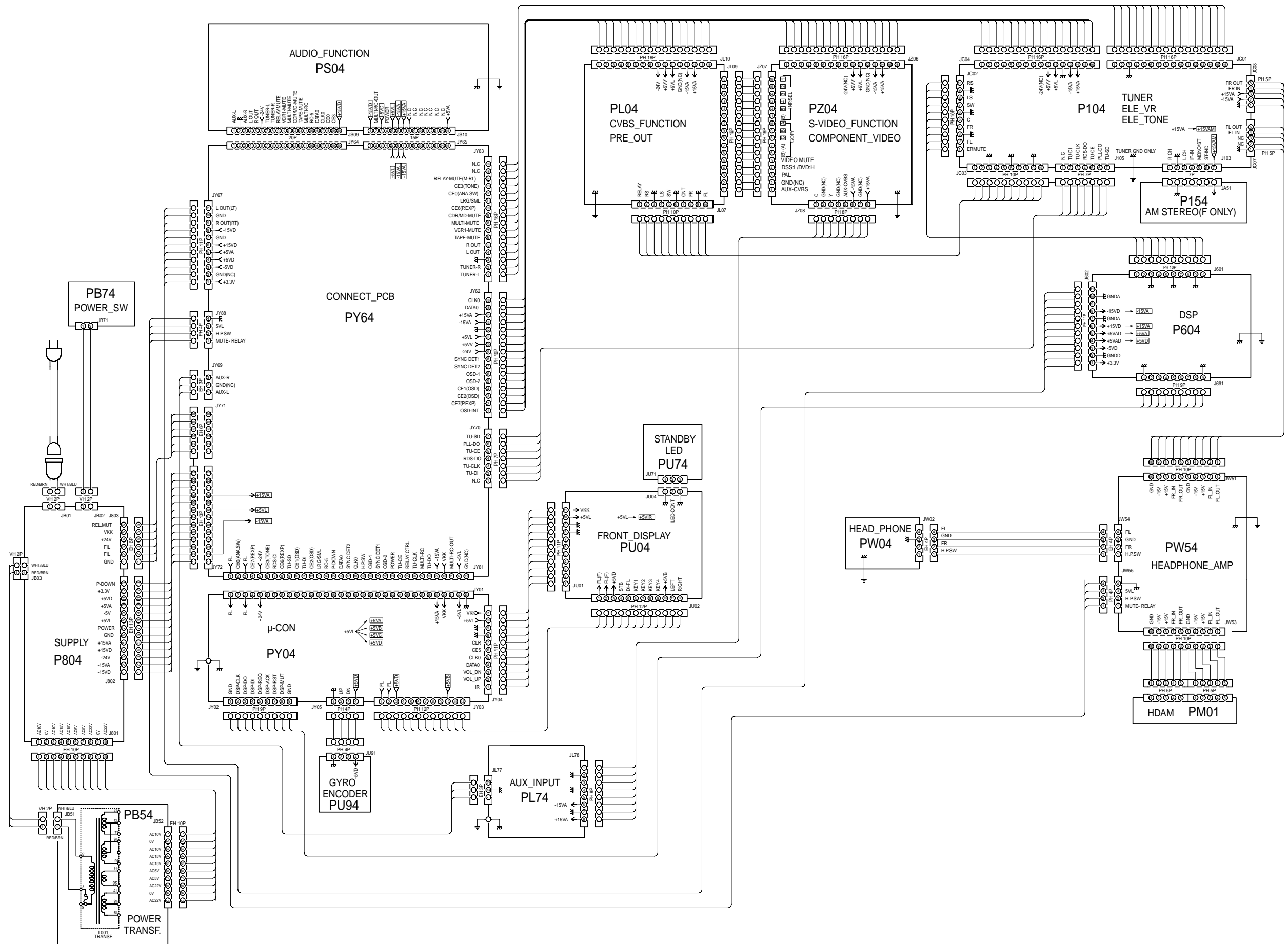
Specifications subject to change without prior notice.

**Remark : Bass signal output from Sub Woofer terminal for AV9000**

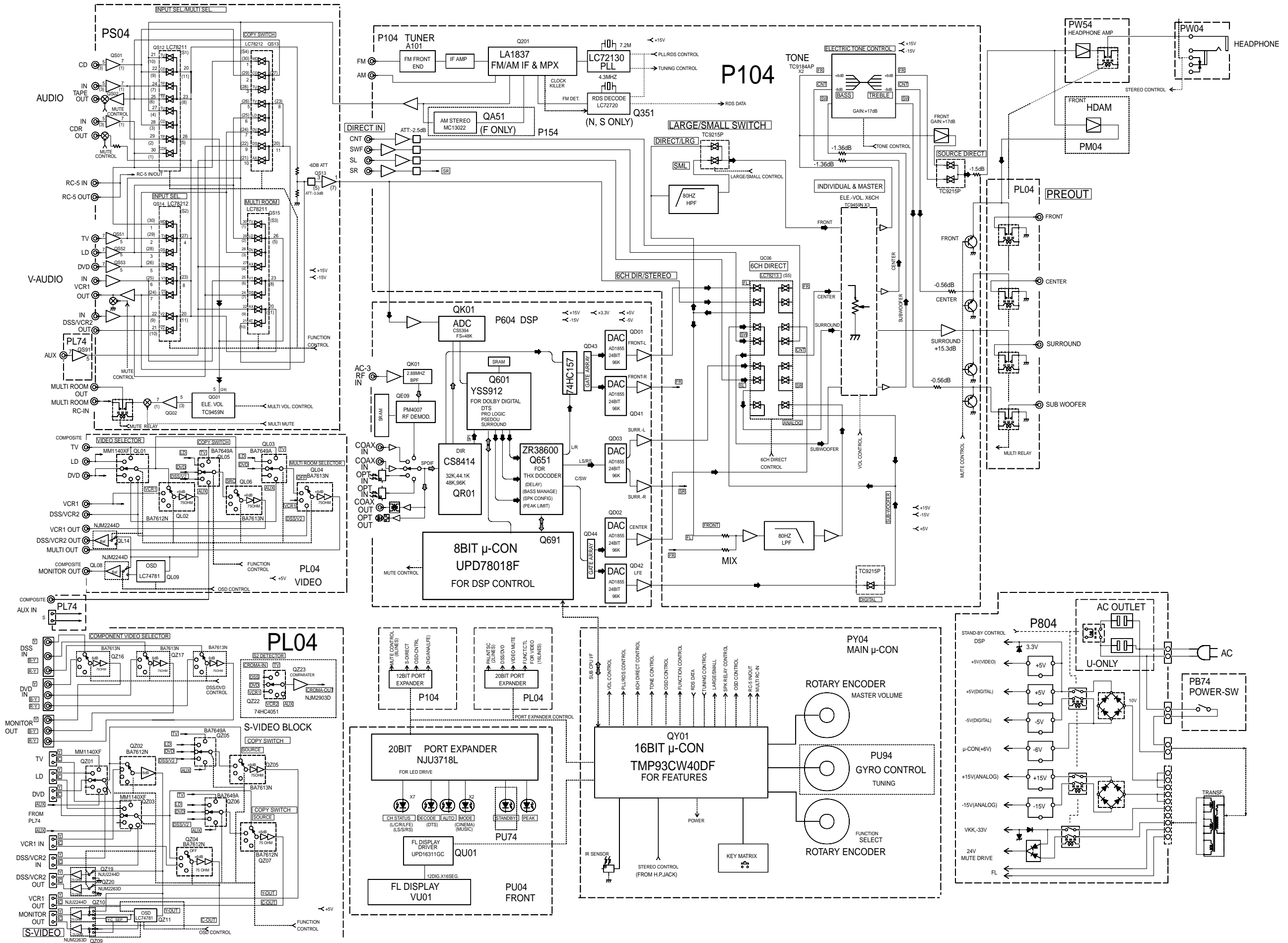
Sub woofer output is not active while all surround modes. Please refer to the following table.

SPK setup				SubWoofer Output by Surround mode										
Sub Woofer	Front	Center	Rear	THX cinema (5.1ch decoding)	DOLBY or DTS (5.1ch decoding)	THX cinema (Pro Logic decoding)	DOLBY (Pro Logic decoding)	STEREO	AUTO (5.1ch decoding)	AUTO (Stereo decoding)	Mono			
ON	Large	Large	Large	LFE	LFE	none	none	L+R	LFE	L+R	none			
			Small	LFE+LS+RS	LFE+LS+RS	none	none	L+R	LFE+LS+RS	L+R	none			
			None	LFE	LFE	none	none	L+R	LFE	L+R	none			
		Small	Large	LFE+C	LFE+C	C	C	L+R	LFE+C	L+R	C			
			Small	LFE+C+LS+RS	LFE+C+LS+RS	C	C	L+R	LFE+C+LS+RS	L+R	C			
			None	LFE+C	LFE+C	C	C	L+R	LFE+C	L+R	C			
		None	Large	LFE	LFE	none	none	L+R	LFE	L+R	none			
			Small	LFE+LS+RS	LFE+LS+RS	none	none	L+R	LFE+LS+RS	L+R	none			
			None	LFE	LFE	none	none	L+R	LFE	L+R	none			
		Small	Large	Large	LFE+L+R	LFE+L+R	L+R	L+R	L+R	LFE+L+R	L+R	none		
				Small	LFE+L+R+LS+RS	LFE+L+R+LS+RS	L+R	L+R	L+R	LFE+L+R+LS+RS	L+R	none		
				None	LFE+L+R	LFE+L+R	L+R	L+R	L+R	LFE+L+R	L+R	none		
			Small	Large	LFE+L+R+C	LFE+L+R+C	L+R+C	L+R+C	L+R	LFE+L+R+C	L+R	C		
				Small	LFE+L+R+C+LS+RS	LFE+L+R+C+LS+RS	L+R+C	L+R+C	L+R	LFE+L+R+C+LS+RS	L+R	C		
				None	LFE+L+R+C	LFE+L+R+C	L+R+C	L+R+C	L+R	LFE+L+R+C	L+R	C		
			None	Large	LFE+L+R	LFE+L+R	L+R	L+R	L+R	LFE+L+R	L+R	C		
				Small	LFE+LS+RS	LFE+LS+RS	L+R	L+R	L+R	LFE+LS+RS	L+R	C		
				None	LFE+L+R	LFE+L+R	L+R	L+R	L+R	LFE+L+R	L+R	C		
	OFF		Large	Large	Large	none	none	none	none	none	none	none	none	
					Small	none	none	none	none	none	none	none	none	
					None	none	none	none	none	none	none	none	none	
		Small		Large	none	none	none	none	none	none	none	none	none	
				Small	none	none	none	none	none	none	none	none	none	
				None	none	none	none	none	none	none	none	none	none	
		None		Large	none	none	none	none	none	none	none	none	none	
				Small	none	none	none	none	none	none	none	none	none	
				None	none	none	none	none	none	none	none	none	none	
		Small		Large	Large	Prohibited	Prohibited	Prohibited	Prohibited	Prohibited	Prohibited	Prohibited	Prohibited	Prohibited
					Small	Prohibited	Prohibited	Prohibited	Prohibited	Prohibited	Prohibited	Prohibited	Prohibited	Prohibited
					None	Prohibited	Prohibited	Prohibited	Prohibited	Prohibited	Prohibited	Prohibited	Prohibited	Prohibited
			Small	Large	Prohibited	Prohibited	Prohibited	Prohibited	Prohibited	Prohibited	Prohibited	Prohibited	Prohibited	
				Small	Prohibited	Prohibited	Prohibited	Prohibited	Prohibited	Prohibited	Prohibited	Prohibited	Prohibited	
				None	Prohibited	Prohibited	Prohibited	Prohibited	Prohibited	Prohibited	Prohibited	Prohibited	Prohibited	
			None	Large	Prohibited	Prohibited	Prohibited	Prohibited	Prohibited	Prohibited	Prohibited	Prohibited	Prohibited	
				Small	Prohibited	Prohibited	Prohibited	Prohibited	Prohibited	Prohibited	Prohibited	Prohibited	Prohibited	
				None	Prohibited	Prohibited	Prohibited	Prohibited	Prohibited	Prohibited	Prohibited	Prohibited	Prohibited	

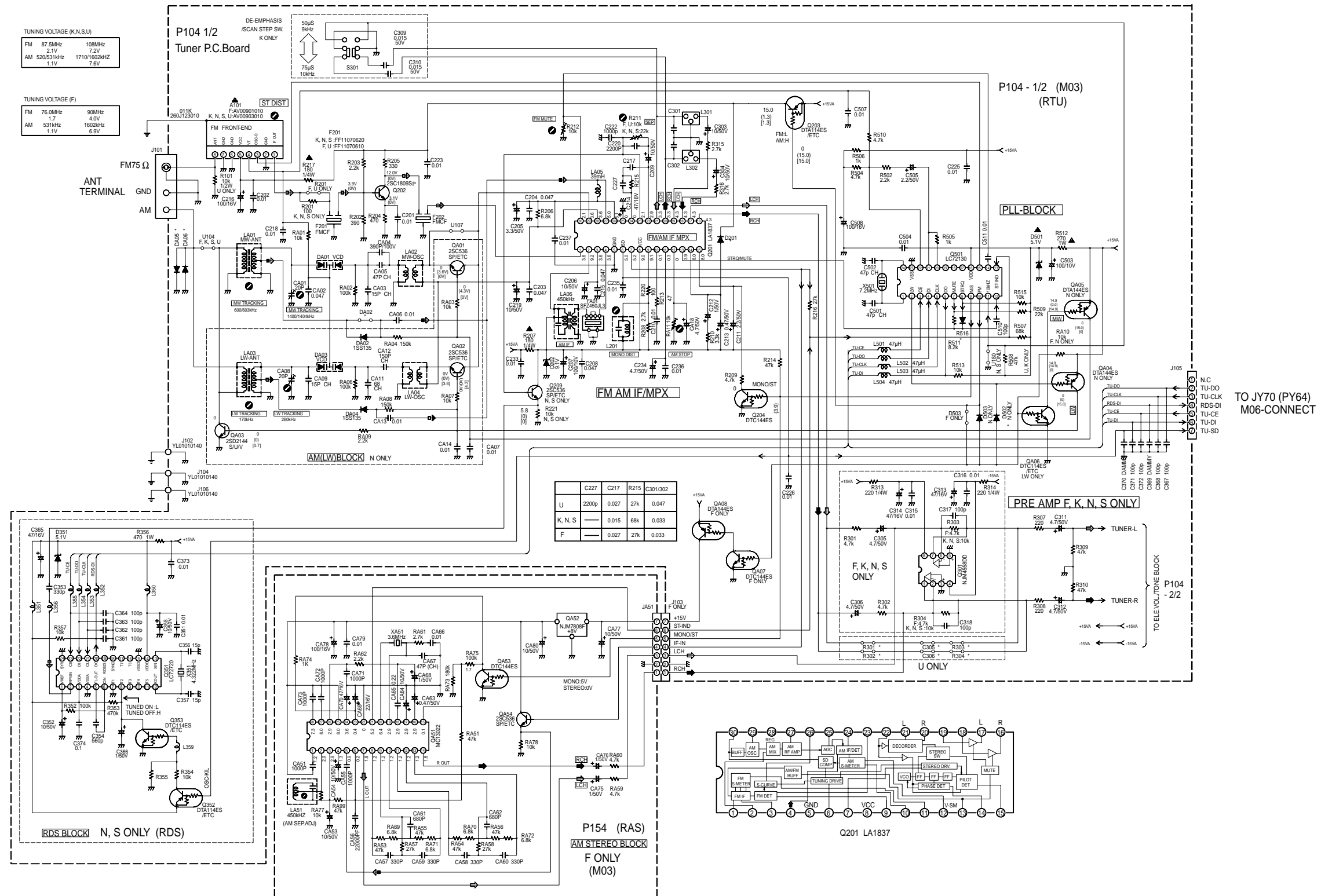
## 2. WIRING DIAGRAM

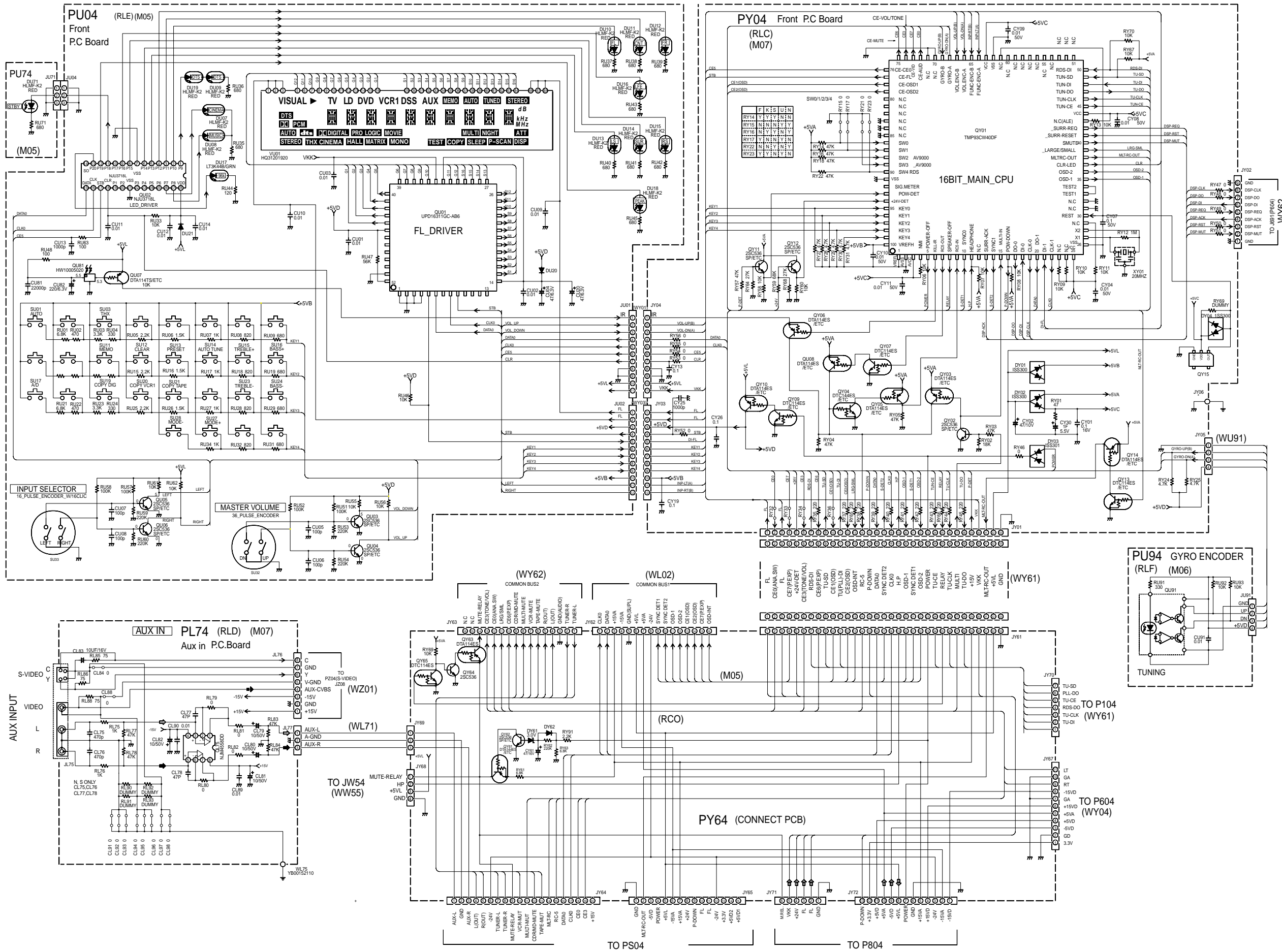


### 3. BLOCK DIAGRAM



#### 4. SCHEMATIC DIAGRAM AND PARTS LOCATION (Pattern Side)

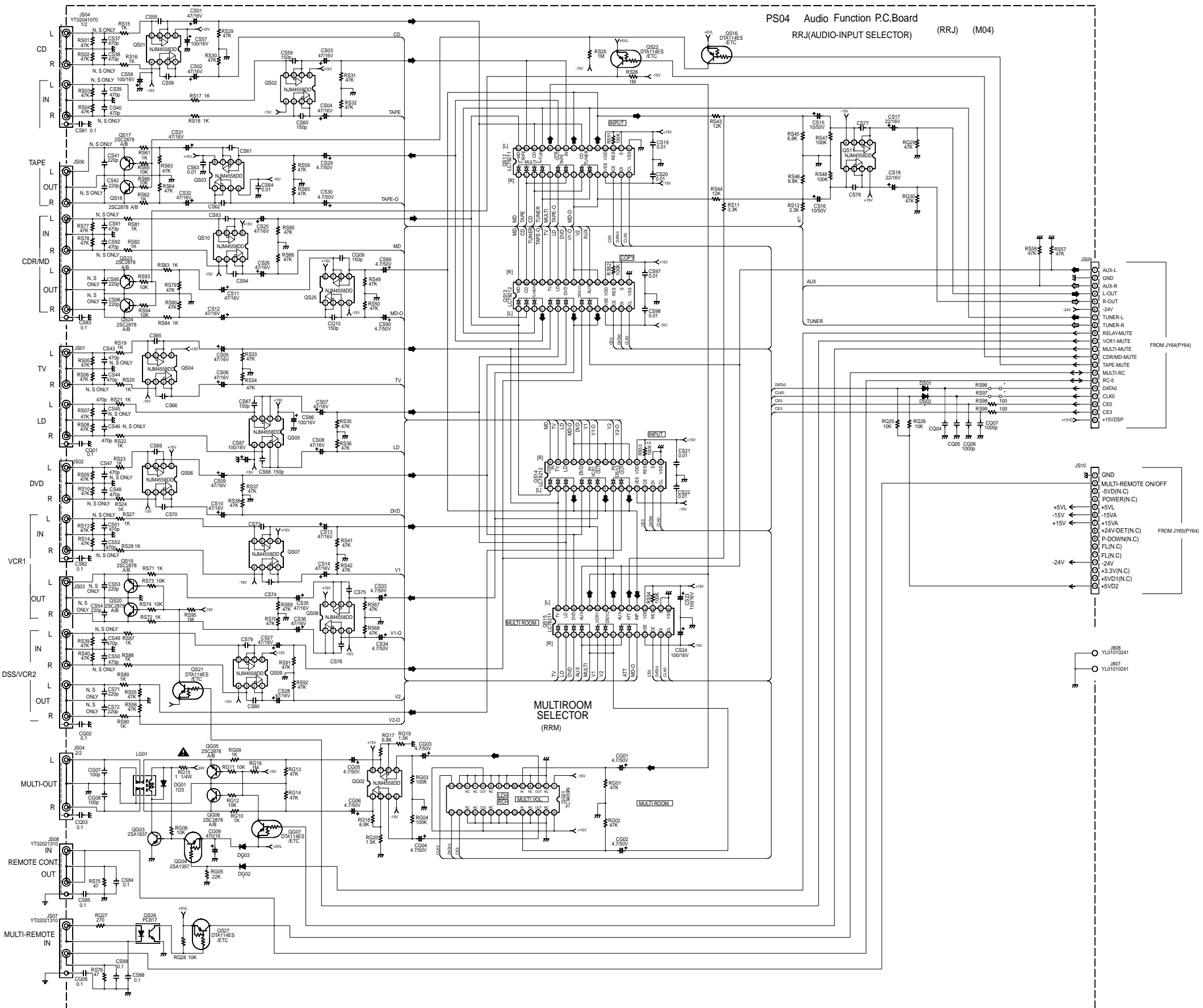






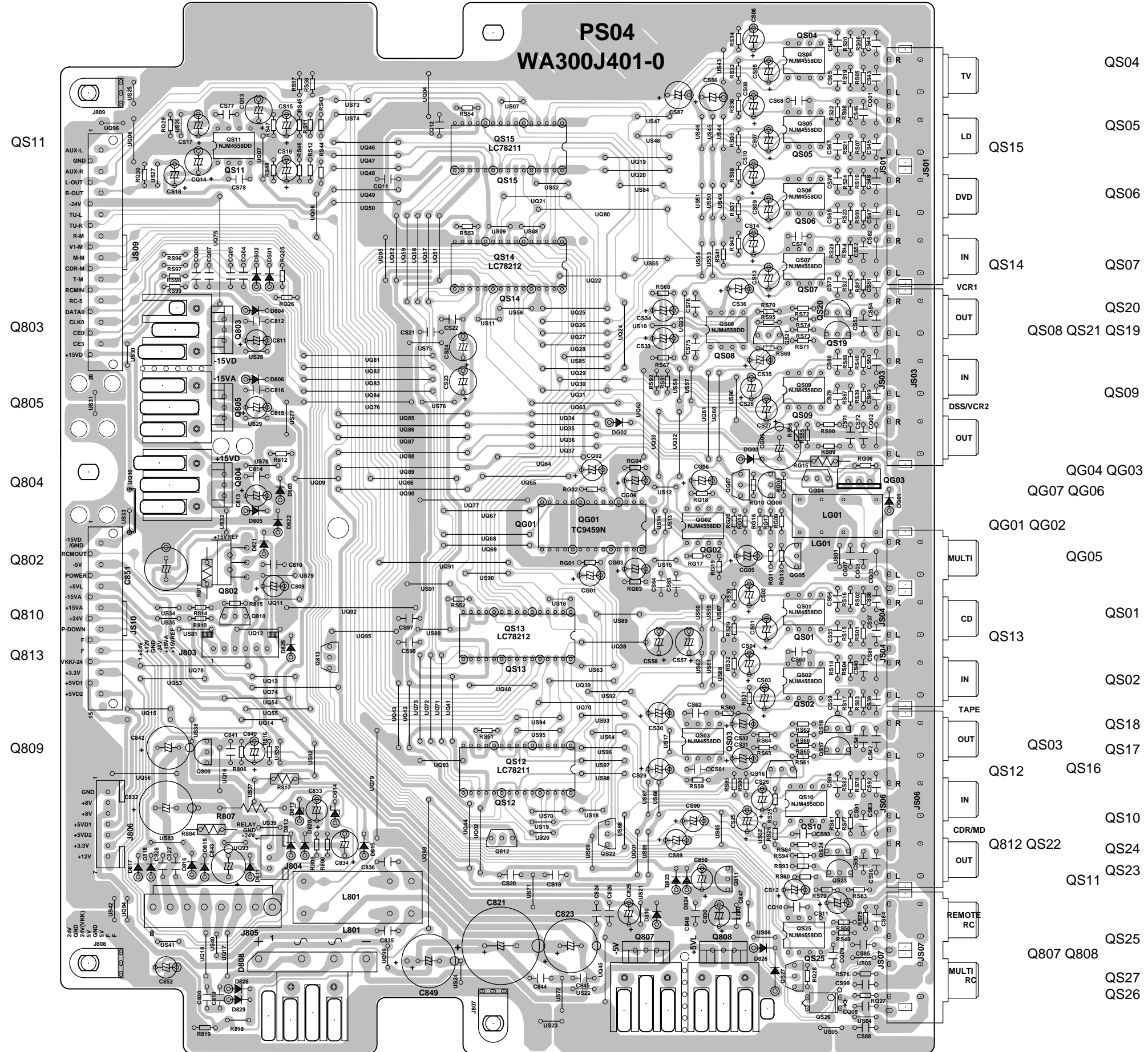


PS04 Audio Function P.C.Board  
RRJ(AUDIO-INPUT SELECTOR) (RRJ) (M04)

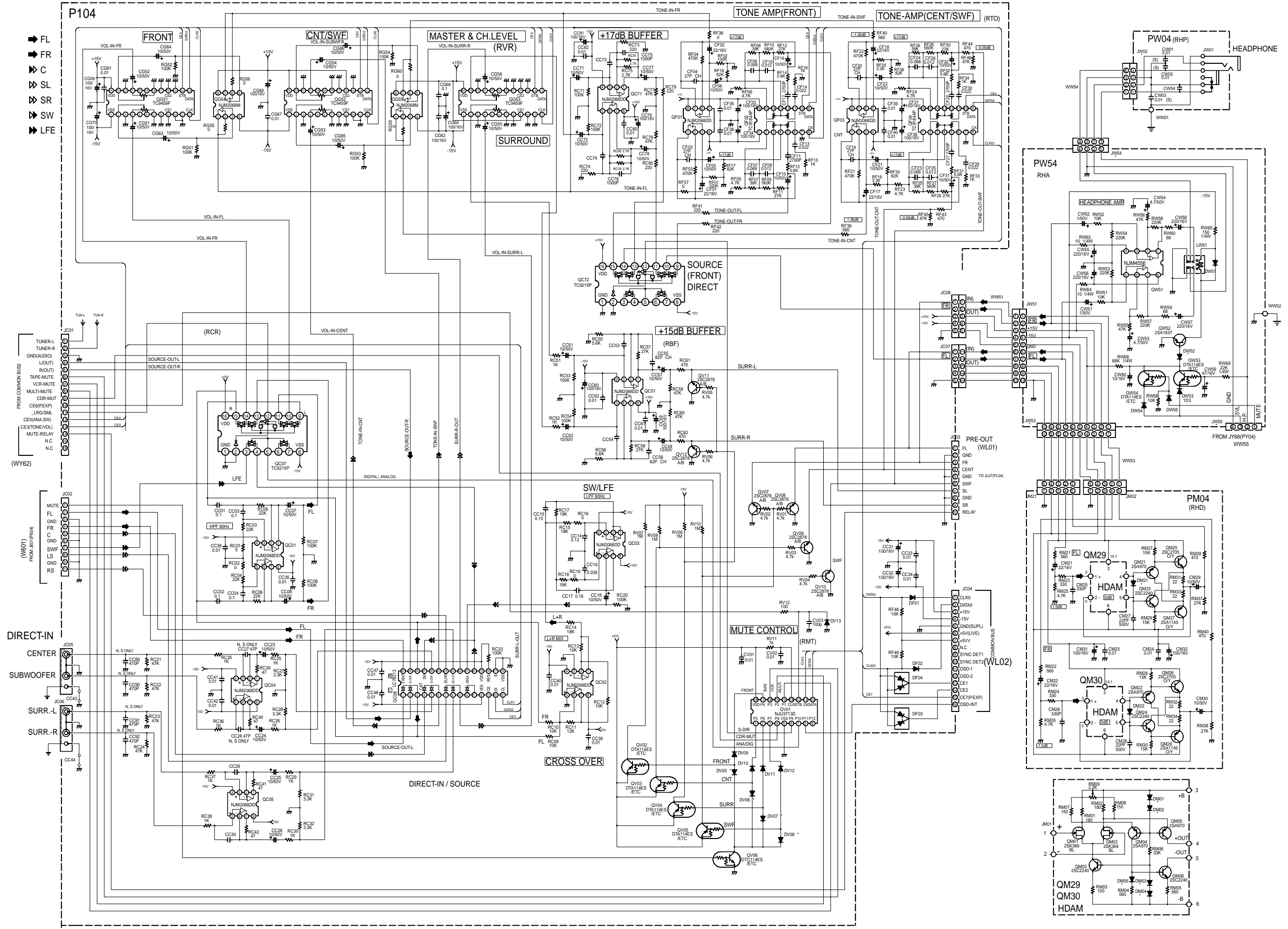


PS04

# PS04 WA300J401-0

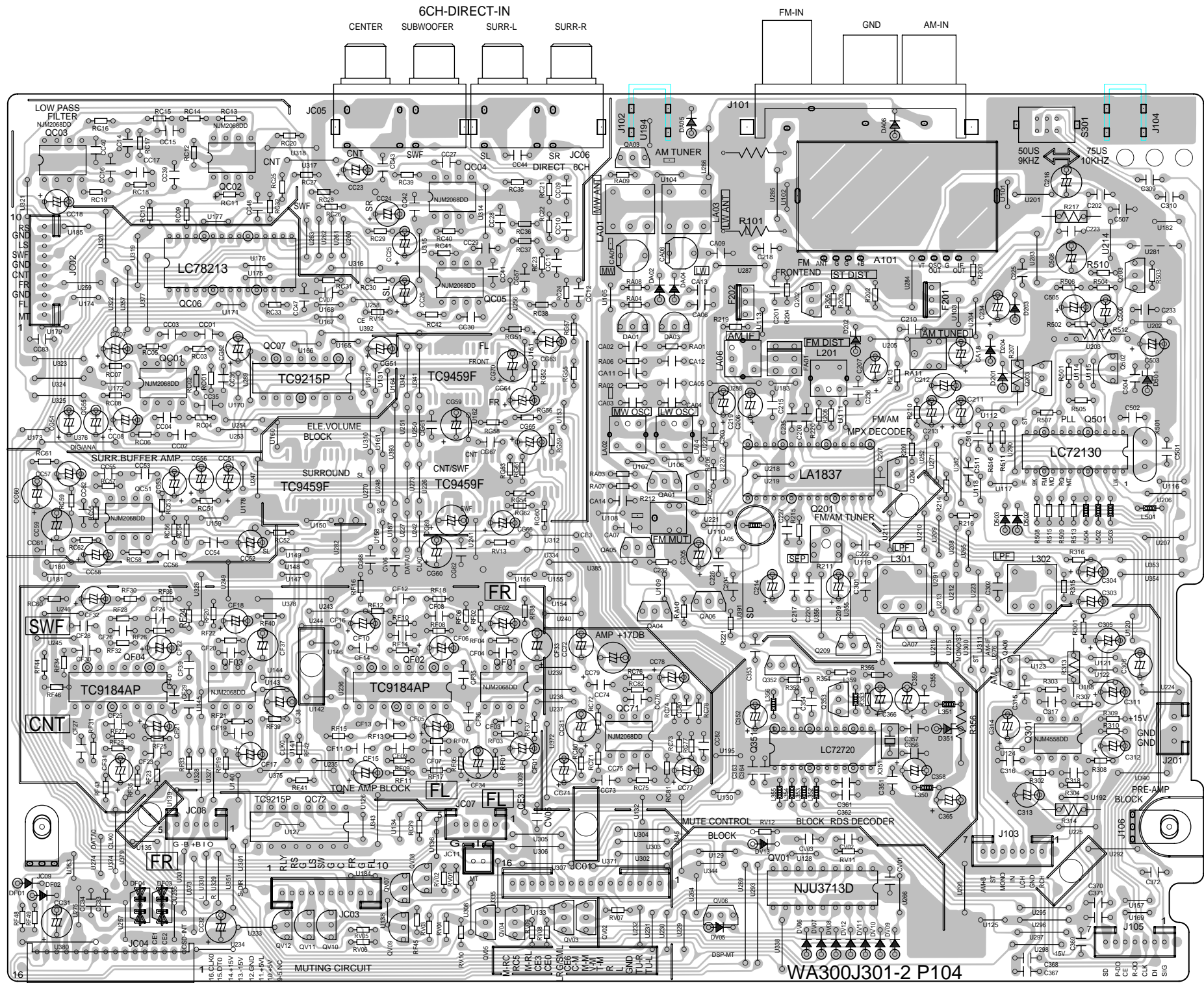


TONE/CROSS OVER/VOLUME/MUTE CIRCUIT BLOCK

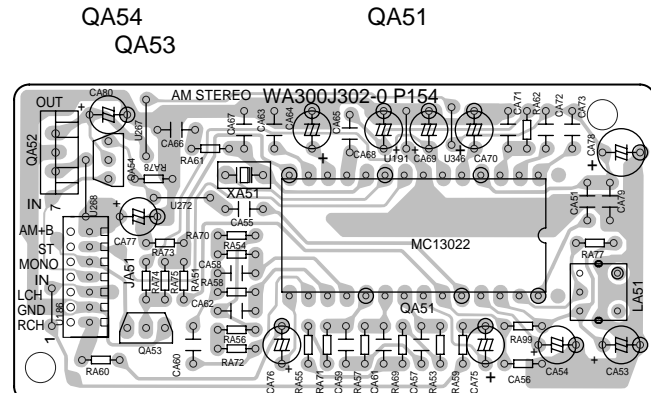


P104

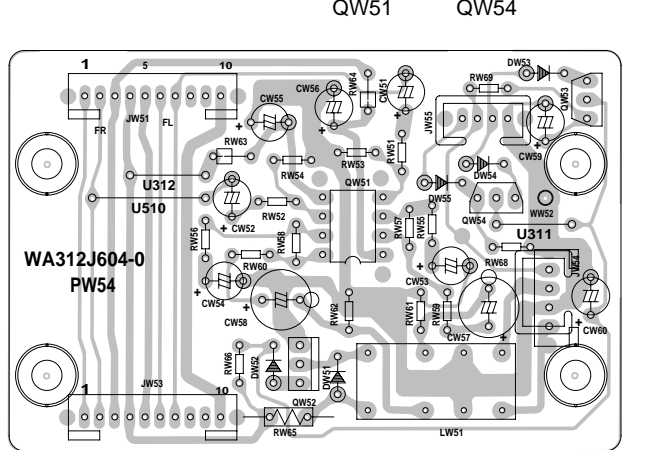
QC03                      QC02                      QC04                      QA03                      Q202                      Q503  
                                  QC01    QC06                      QC07                      QC05 QG51                      Q201                      Q204                      Q203                      Q502  
 QC51                      QC07                      QF02 QG52    QF01                      QA05 QA01 QA02    Q352 Q353 Q209 QA07                      QA08    Q501  
 QF04                      QF03                      QC72                      QV07 QV08                      QC71 QA04 QA06                      Q301  
                                  QV12 QV11 QV10 QV09                      QV05 QV04 QV03 QV02                      QV06                      QV01

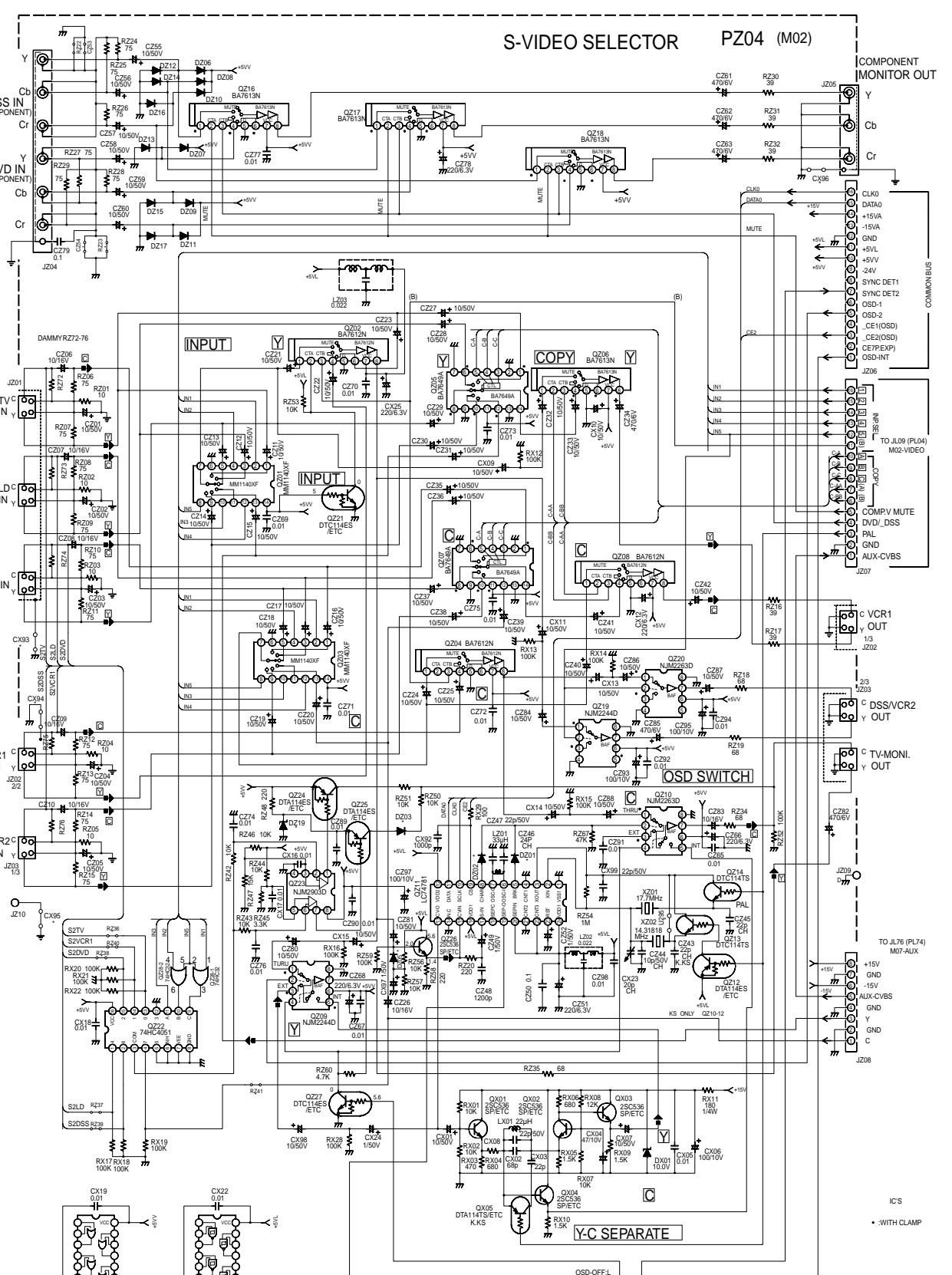
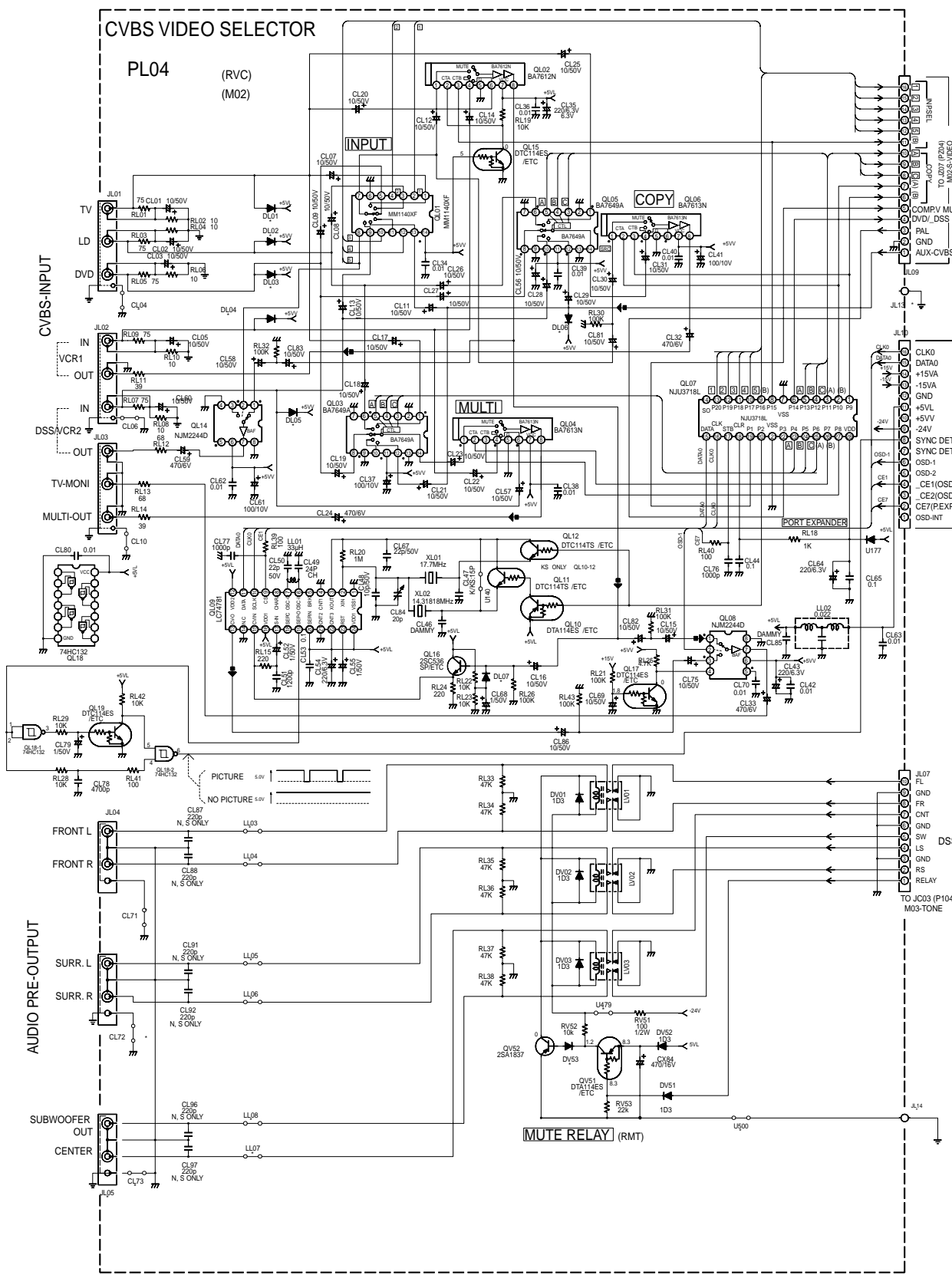


P154 ( F ONLY )



PW54



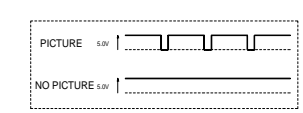


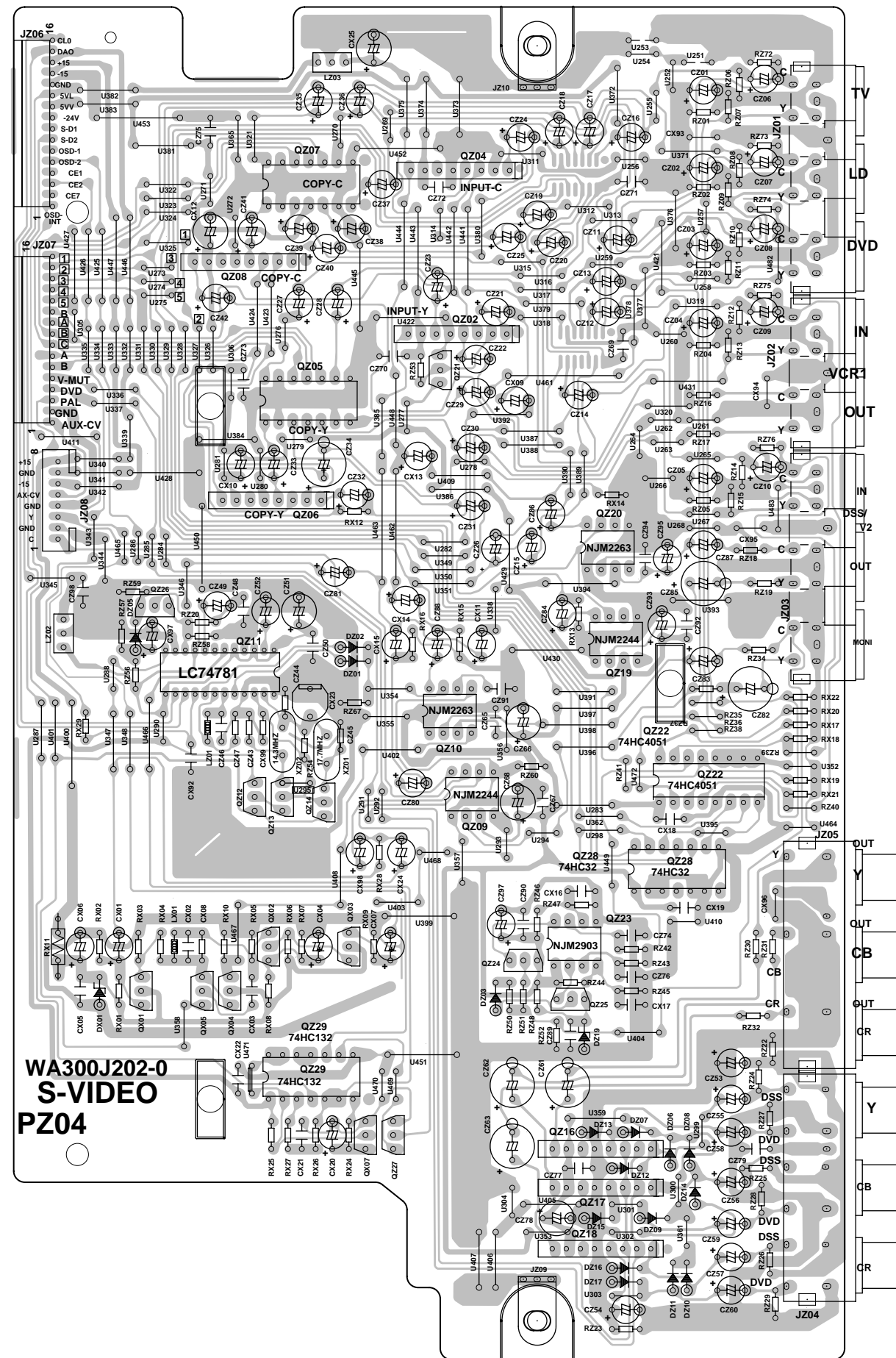
**COMMON BUS**  
 TO JY62 (PY64) M06-CONNECT  
 TO JC04 (P104) M03-TONE  
 TO JL10 (PL04) M02-VIDEO  
 TO JZ06 (PZ04) M02-S-VIDEO

INPUT SELECTOR		COPY SWITCH		MULTI ROOM SELECTOR		MUTE(A)	
INPUT	MM140XD 7613	INPUT	BA7640 7613	INPUT	BA7648 7613	INP	B MUTE(A)
TV	L L L L L L L L	TV	L L L L L L L L	TV	L L L L L L L L	DSS/V2	L L L
LD	L L L L L L L L	LD	L L L L L L L L	LD	L L L L L L L L	DVD	H L L
DVD	L L L L L L L L	DVD	L L L L L L L L	DVD	L L L L L L L L	OTHERS	L H
AUX	H H H H H H H H	DSS/CR2	H H H H H H H H	AUX	H H H H H H H H		
DSS/V2	L L L L L L L L	AUX	H H H H H H H H	VCR1	H H H H H H H H		
VCR1	L L L L L L L L	SOURCE	H H H H H H H H	DSS/CR2	H H H H H H H H		
STANDBY	L L L L L L L L	SOURCE	H H H H H H H H	MULTI-OFF	H H H H H H H H		

INPUT SELECTOR AND COPY SWITCH  
 :SAME DATA BETWEEN CVBS VIDEO AND S-VIDEO.  
 BA7612N/BA7613N  
 :SAME DATA BETWEEN BA7612N AND BA7613N

OSD SWITCH (NUM2240D/NUM263D)	
THRU	L L
OSD(EXT)	H L
OSD(INT)	H L



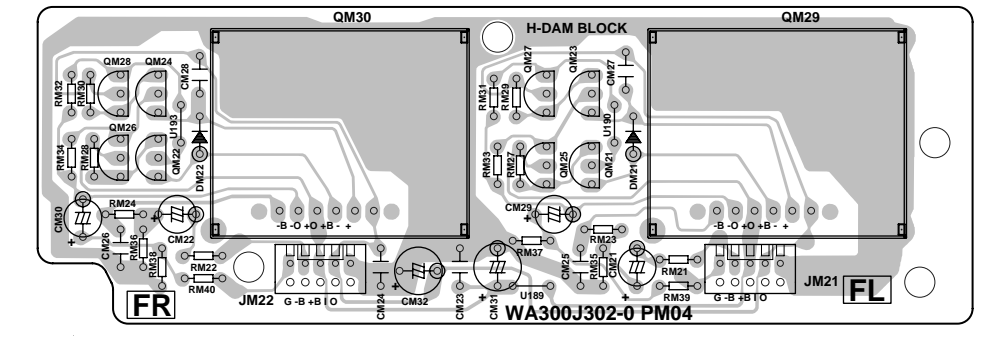


WA300J202-0  
S-VIDEO  
PZ04

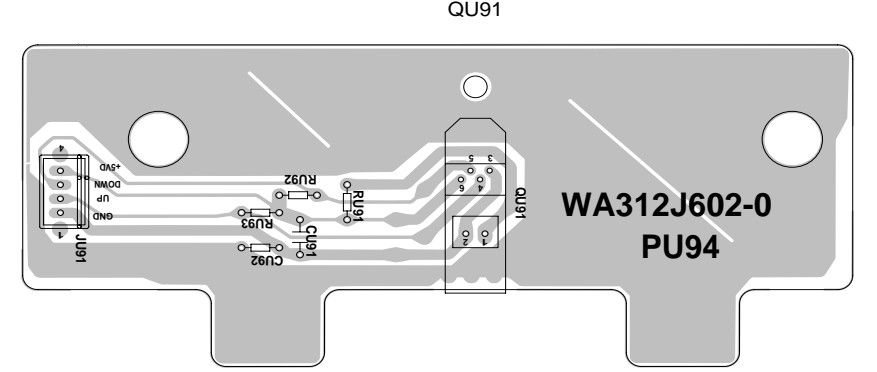
- QZ07 QZ04
- QZ08
- QZ02
- QZ21
- QZ05
- QZ06
- QZ20
- QZ26
- QZ19
- QZ11
- QZ10
- QZ22
- QZ12 QZ13 QZ14 QZ09
- QZ28
- QX02 QX03 QZ23 QZ24
- QX01 QX05 QX04 QZ25
- QZ29
- QX07 QX27 QZ16
- QZ17
- QZ18

PM04

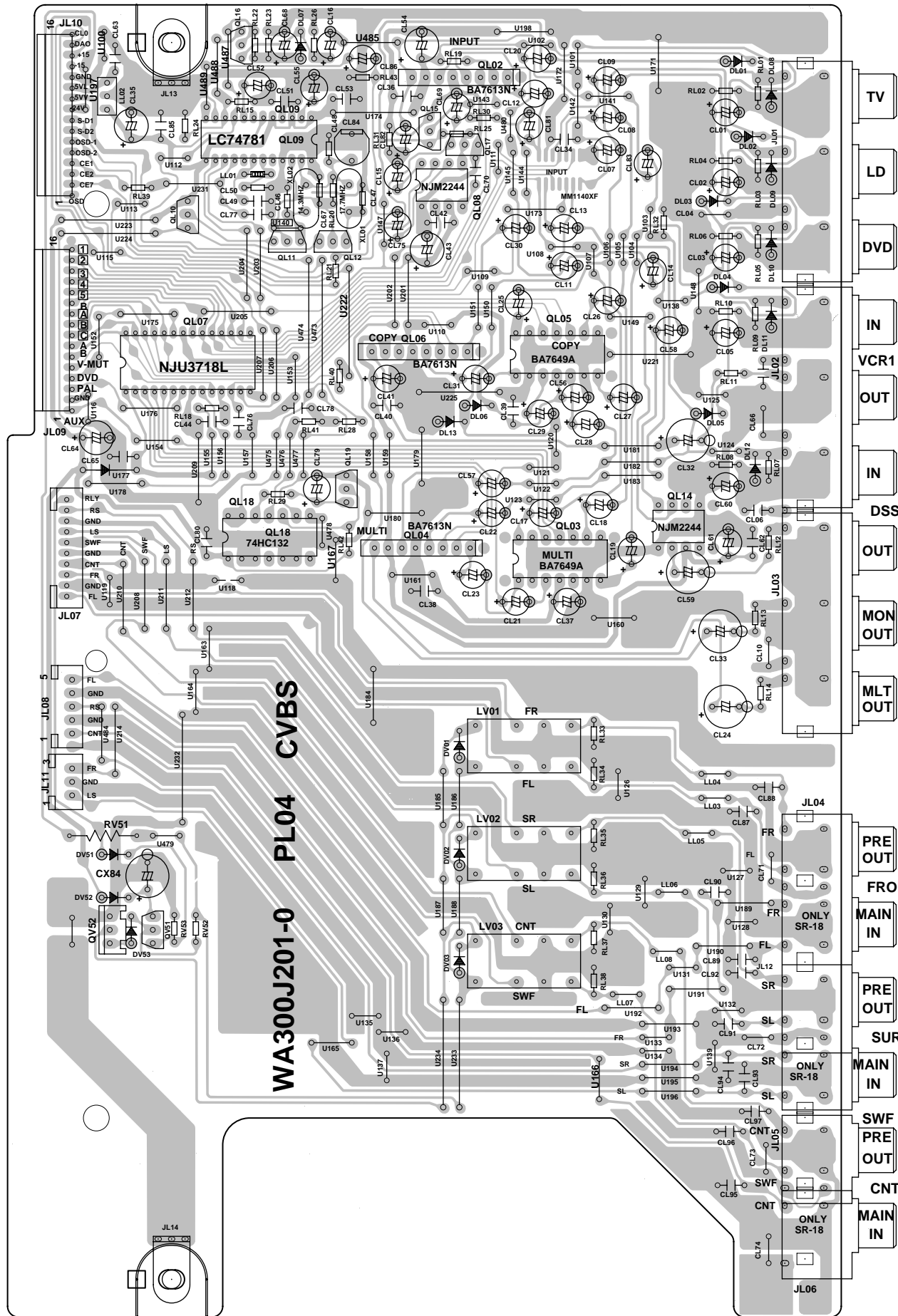
- QM28 QM24
- QM26 QM22
- QM30
- QM29



PU94



WA312J602-0  
PU94



- TV
- LD
- DVD
- IN
- VCR1
- OUT
- IN
- DSS
- OUT
- MON OUT
- MLT OUT
- PRE OUT
- FRONT
- MAIN IN
- Surr
- MAIN IN
- SWF
- PRE OUT
- CNT
- MAIN IN

- QL16
- QL02
- QL09 QL15 QL17
- QL08
- QL10
- QL11 QL12
- QL07 QL06 QL05
- QL19
- QL14
- QL18 QL04 QL03

QV52 QV51



P604

QK05  
QK03  
QK01

QK06  
QK04

QJ01

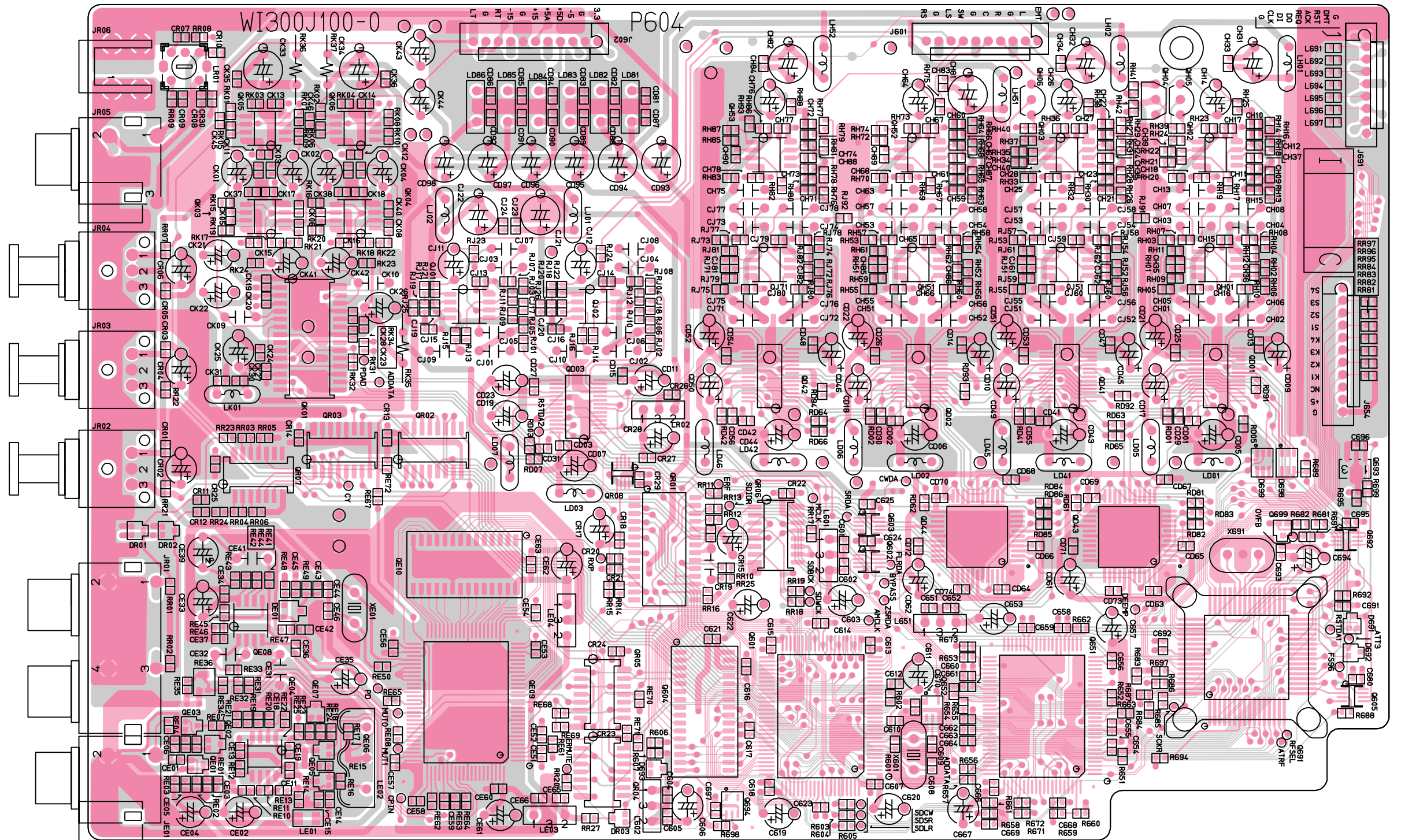
QJ02  
QD03

QH53  
QJ71  
QD42

QH52  
QH51  
QD02

QH06 QH03  
QJ51  
QD41

QH04 QH05 QH02  
QH01  
QD01



QR07 QR03  
QE08 QE01  
QE01 - QE04 - QE07

QR02  
QE10  
QE09

QR08 QR01  
QR05  
QR04

Q604  
Q694

Q06  
Q601  
Q602

Q603  
Q652

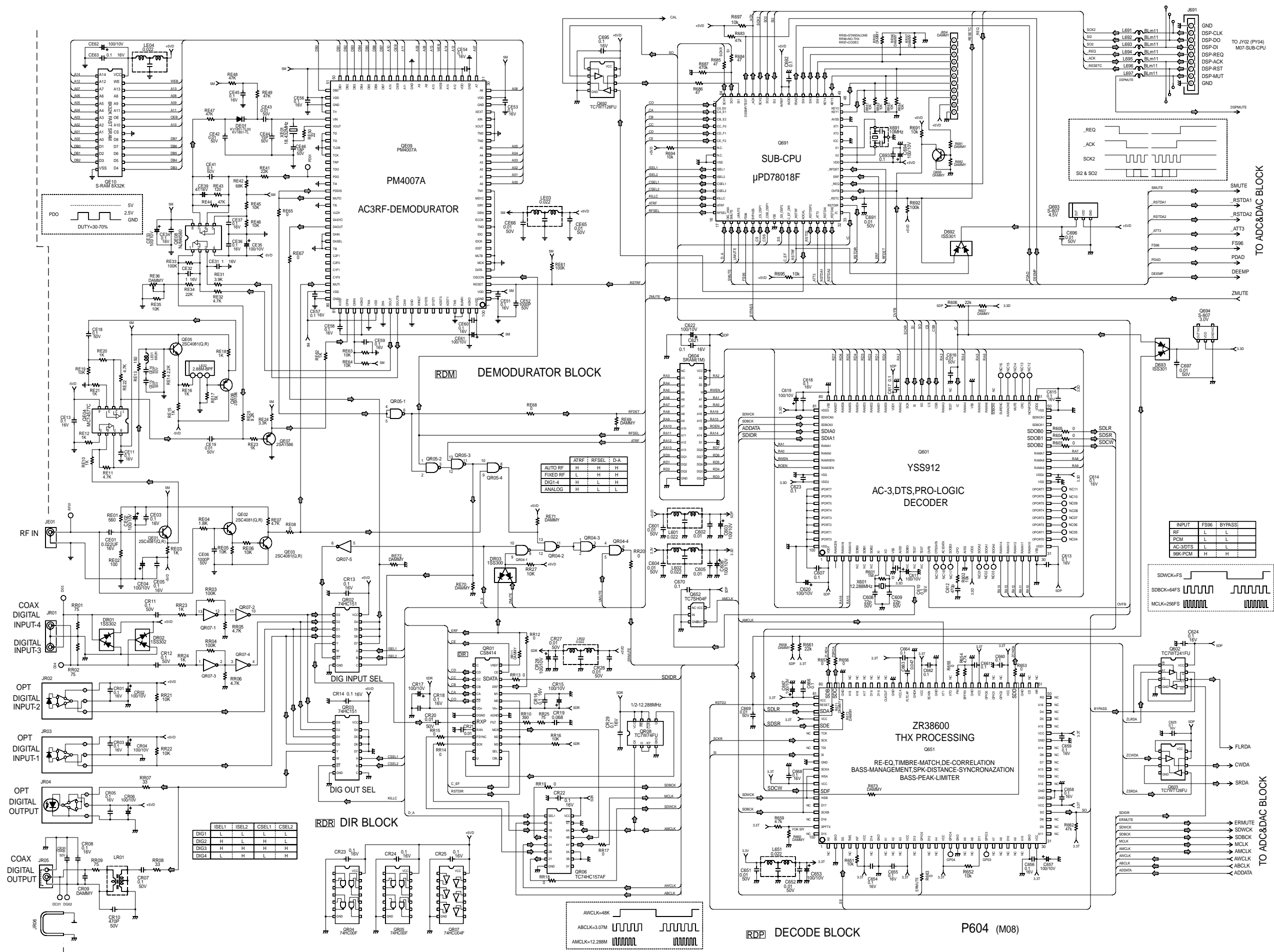
QD04

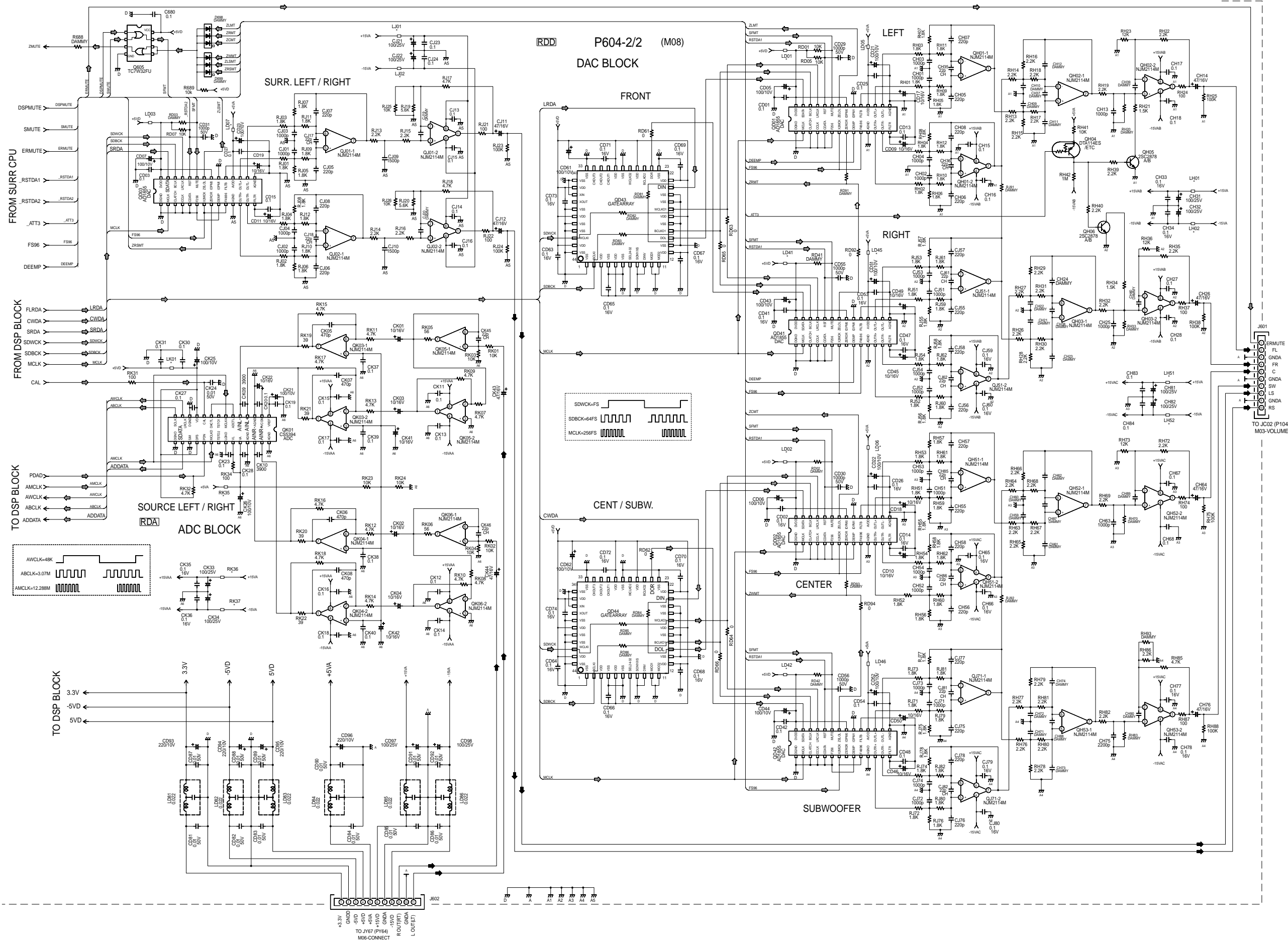
Q651

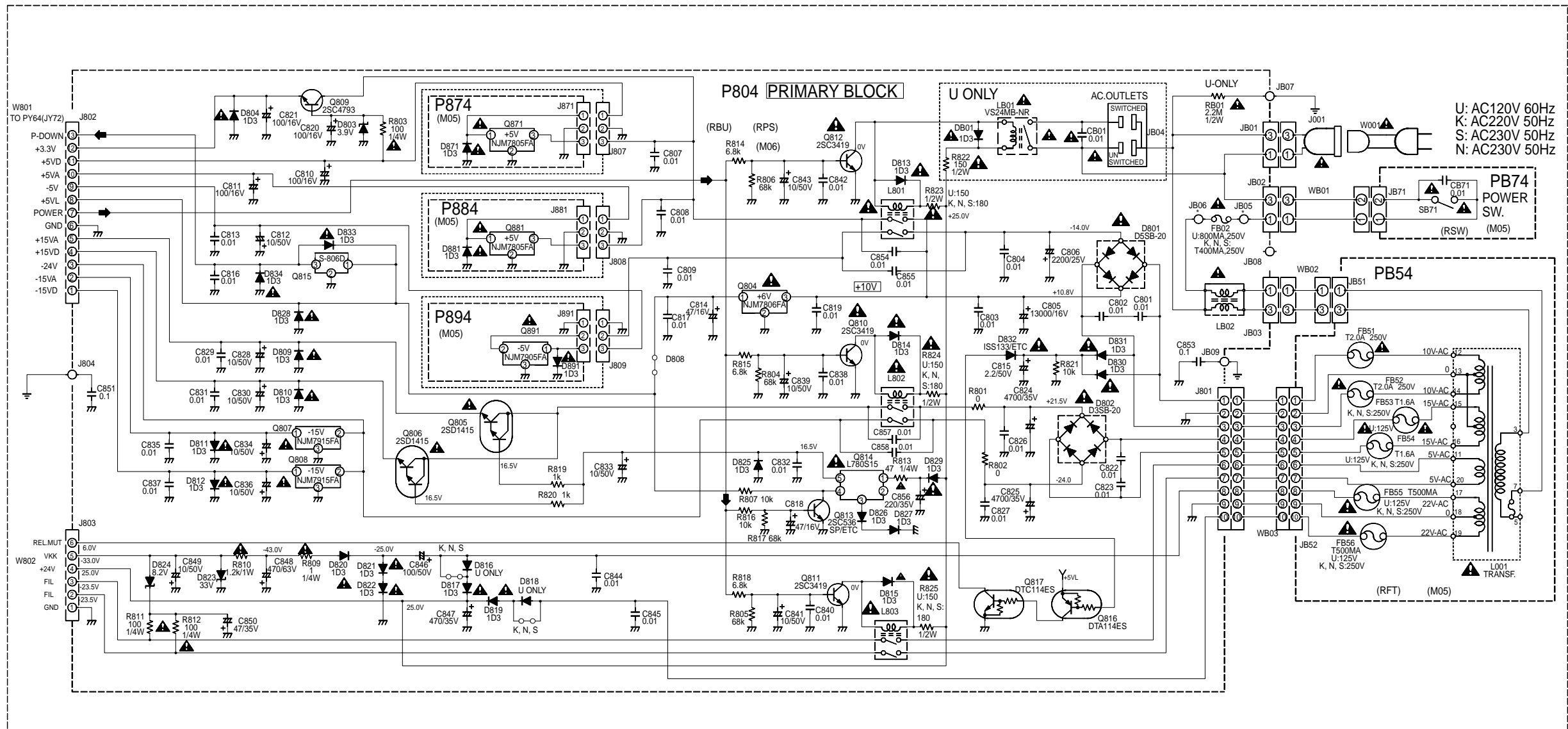
QD43

Q966

Q691  
Q692  
Q605





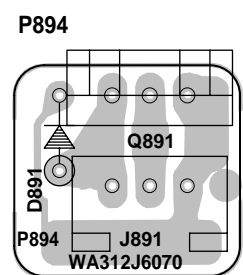
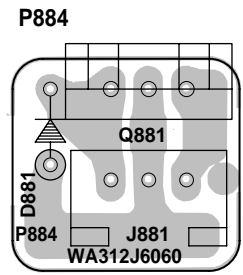
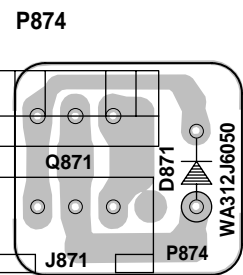
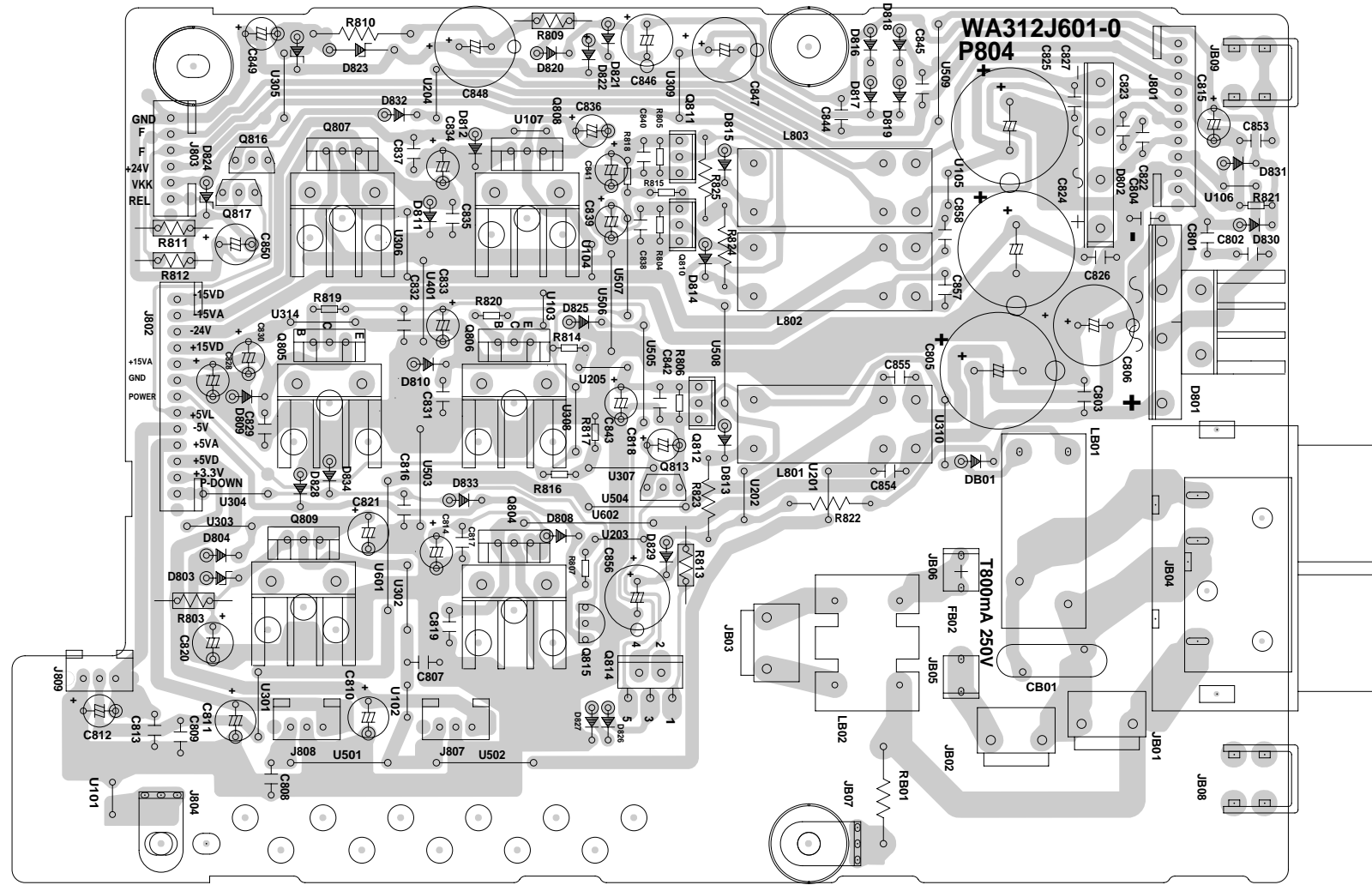


**P804**

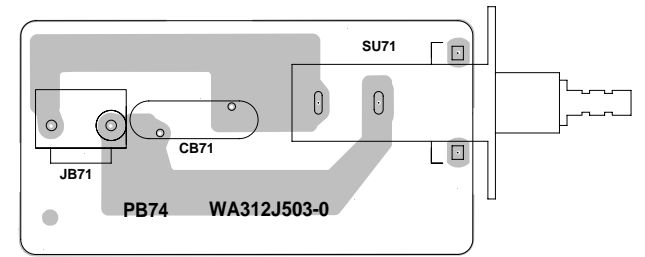
Q817 Q816 Q807  
 Q805  
 Q809

Q808  
 Q806  
 Q804 Q815

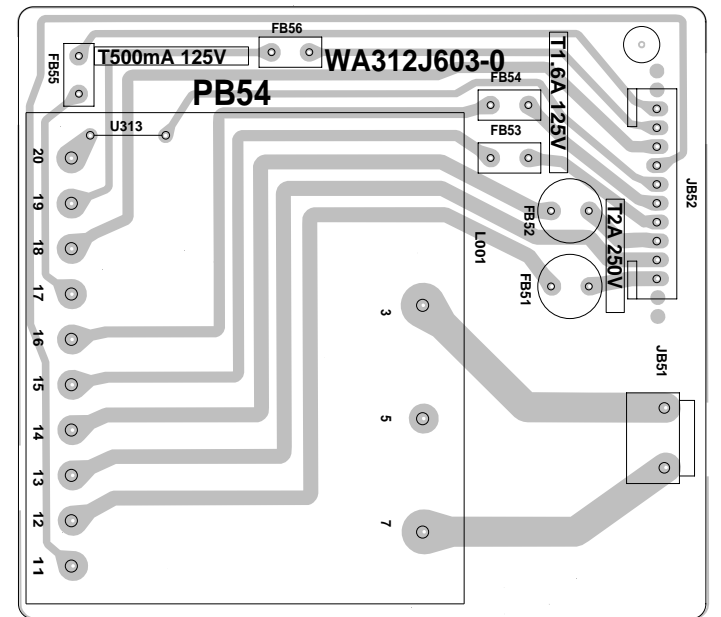
Q811 Q810  
 Q813 Q812  
 Q814



**PB74**



**PB54**



PY04

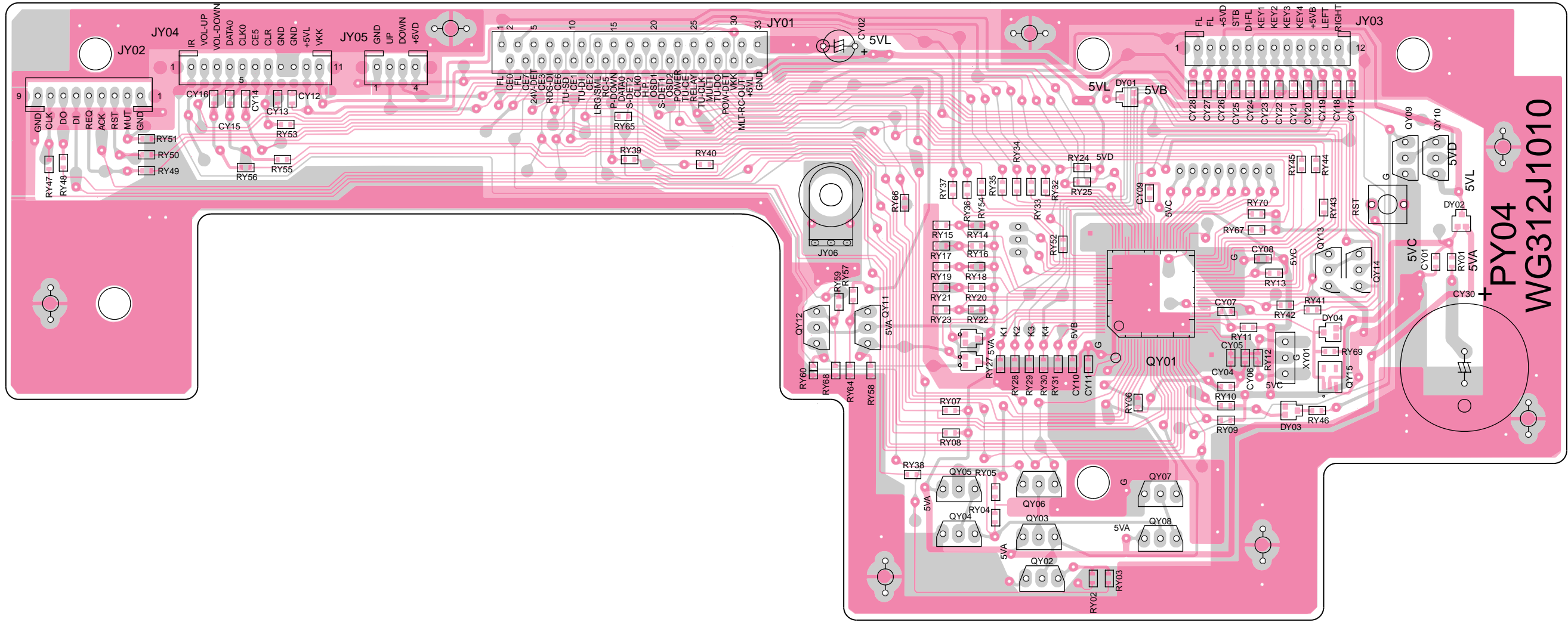
QY12 QY11

QY03 - QY06

QY01 QY07 QY08

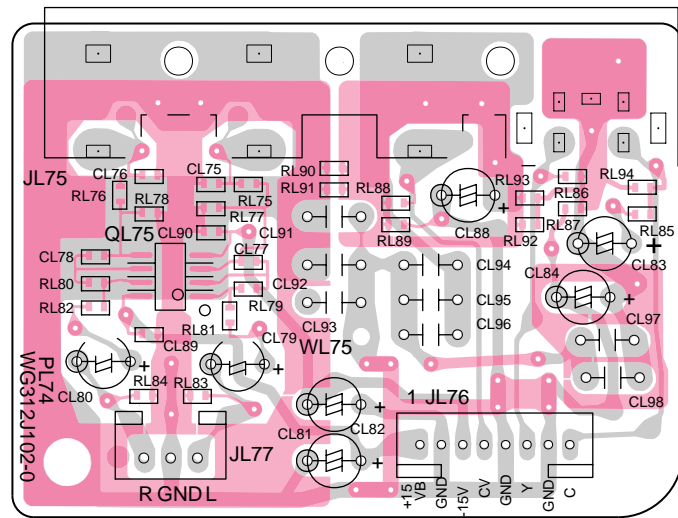
QY13 - QY15

QY09 QY10

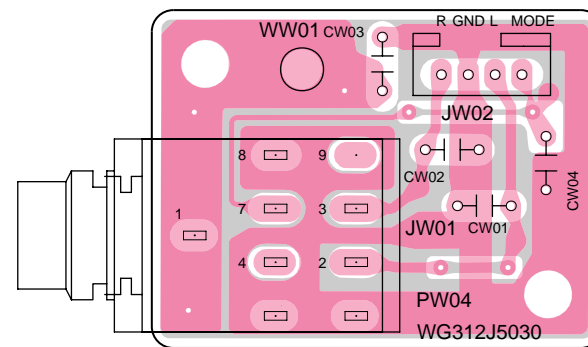


PL74

QL75



PW04



## 5. IC DATA

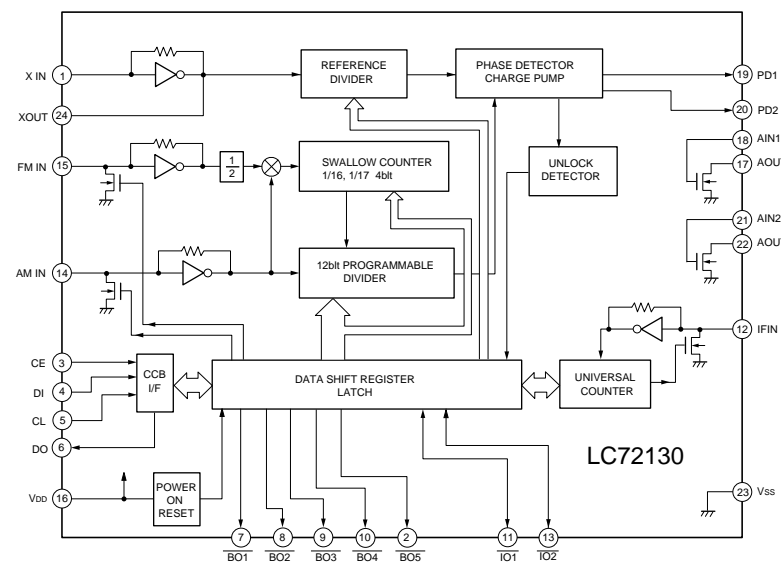
### QY01:TMP93CW40DF

Pin Description

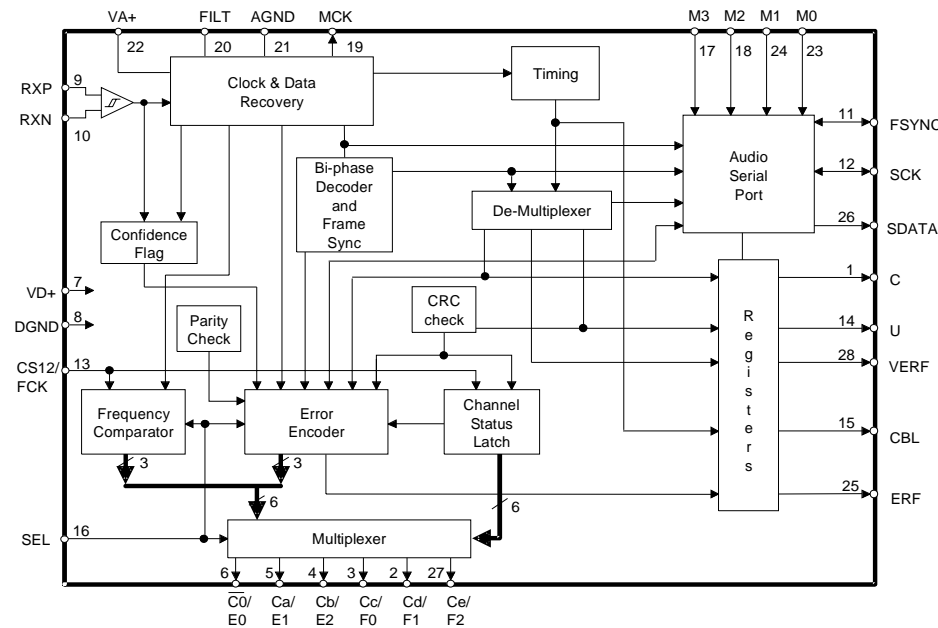
No	Port Name	I/O	USE	Sig. Name	Act.	Description
1	VREFL	I	-	-	-	A/D VREFL.
2	AVSS	I	-	-	-	A/D VSS
3	AVCC	I	-	-	-	A/D VCC
4	NMI	I	NMI	-	-	Pull Up
5	P70/TI0	I/O	O	POWER OFF	L	
6	P71/TO1	I/O	O	KILL IR	H	
7	P72/TO2	I/O	O	RC-5 OUT	H	
8	P73/TO3	I/O	O	SPEAKER OFF	H	SPK RELAY
9	P80/INT4	I/O	I	RC-5 IN	H	Both Edge
10	P81/INT5	I/O	I	SYNC0	H	Rising Edge
11	P82/TO4	I/O	I	HEAD PHONE	L	
12	P83/TO5	I/O	I	-	-	Fixed
13	P84/INT6	I/O	I	SURR. ACK	L	Both Edge
14	P85/INT7	I/O	I	SYNC1	H	Rising Edge
15	P86/TO6	I/O	I	MULTI RC-5 IN	L	
16	P87/INT0	I/O	I	POWER DOWN	L	
17	P90/TXD0	I/O	TXD	DO0	-	I/F to SURR. uP
18	P91/RXD0	I/O	RXD	DI0	-	I/F to SURR. uP
19	P92/SCLK0	I/O	SCLK	CLK0	-	I/F to SURR. uP
20	P93/TXD1	I/O	TXD	DO1	-	I/F to ICs
21	P94/RXD1	I/O	RXD	DI1	-	I/F to ICs
22	P95/SCLK1	I/O	SCLK	CLK1	-	I/F to ICs
23	AM8/16	I	-	-	-	Pull Up
24	CLK	O	-	-	-	Pull Up
25	VCC	I	-	-	-	Pull Up
26	VSS	I	-	-	-	to VSS
27	X1	I	-	-	-	20MHz
28	X2	O	-	-	-	20MHz
29	EA	I	-	-	-	Pull Up
30	RESET	I	-	-	-	
31	P96/XT1	I/O	I	-	-	to VSS
32	P97/XT2	I/O	I	-	-	to VSS
33	TEST1	I	-	-	-	to TEST2
34	TEST2	I	-	-	-	to TEST1
35	PA0	I/O	O	OSD ON0	H	
36	PA1	I/O	O	OSD ON1	H	
37	PA2	I/O	O	CLR LED	L	NJU3718 CLR
38	PA3	I/O	O	MULTI RC-5 OUT	H	
39	PA4	I/O	O	LARGE/SMALL	L	LARGE = L
40	PA5	I/O	O	SMUTE	H	

Act.: Active level

### Q501:LC72130



### QR01:CS8414



Pin	Signal Name	Description
1	C	DIGITAL POWER
2	Cd/F1	CS d/FREQ REPORT 1
3	Cc/F0	CS c/FREQ REPORT 0
4	Cb/E2	CS b/ERROR CONDITION 2
5	Ca/E1	CS a/ERROR CONDITION 1
6	C0/E0	CS 0/ERROR CONDITION 0
7	VD+	DIGITAL POWER
8	DGND	DIGITAL GROUND
9	RXP	RECEIVE POSITIVE
10	RXN	RECEIVE NEGATIVE
11	FSYNC	FRAME SYNC
12	SCK	SERIAL DATA CLOCK
13	CS12/FCK	CHANNEL SELECT/FLOCK
14	U	RECEIVE POSITIVE
15	CBL	CHANNEL SELECT/FLOCK
16	SEL	FREQ/CS SELECT
17	M3	SERIAL PORT MODE SELECT 3
18	M2	SERIAL PORT MODE SELECT 2
19	MCK	MASTER CLOCK
20	FILT	FILTER
21	AGND	ANALOG GROUND
22	VA+	ANALOG POWER
23	M0	SERIAL PORT MODE SELECT 0
24	M1	SERIAL PORT MODE SELECT 1
25	ERF	ERROR FLAG
26	SDATA	SERIAL OUTPUT DATA
27	Ce/F2	CS e/FREQ REPORT 2
28	VERF	RECEIVE POSITIVE

### Q691:μPD78018

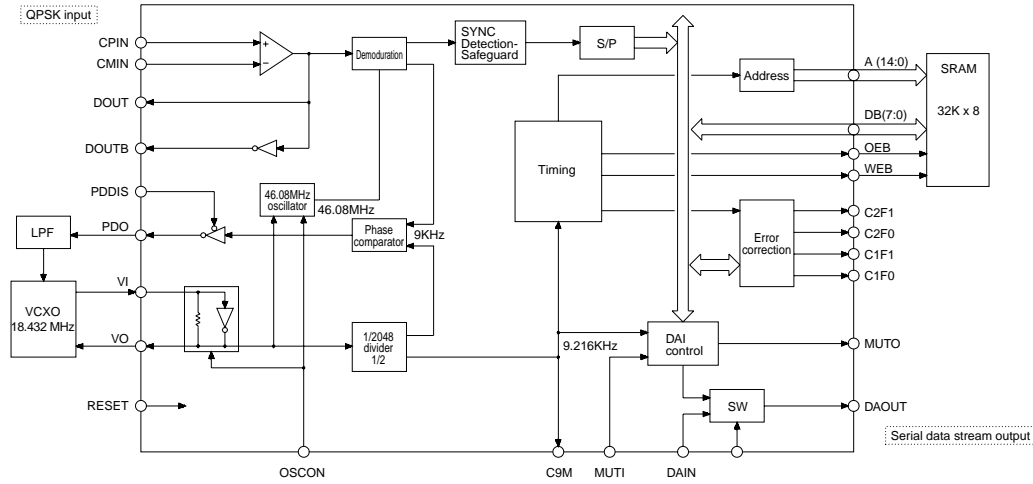
Pin Description

No	Port Name	I/O	USE	Sig. Name	Act.	Description
1	P30/TO0	I/O	I	Co_E0	-	DIR Status
2	P31/TO1	I/O	I	Ca_E1	-	DIR Status
3	P32/TO2	I/O	I	Cb_E2	-	DIR Status
4	P33/TO3	I/O	I	Cd_F0	-	DIR Status
5	P34/TO4	I/O	I	Cd_F1	-	DIR Status
6	P35/PCL	I/O	I	Ce_F2	-	DIR Status
7	P36/BUZ	I/O	O	TEST_COM	H	For Check SIO0 Interface
8	P37	I/O	I	OLD_OVFB	H	keep in port for SR880MK2
9	Vss	I	-	GND	-	GND
10	P40	I/O	O	ISEL1	-	SPDIF input select
11	P41	I/O	O	ISEL2	-	SPDIF input select
12	P42	I/O	O	CSEL1	-	SPDIF output select
13	P43	I/O	O	CSEL2	-	SPDIF output select
14	P44	I/O	O	KILLC	H	Kill SPDIF output
15	P45	I/O	O	ATRF	H	Auto RF select
16	P46	I/O	O	RFSEL	H	RF select
17	P47	I/O	O	DIG_ANA	-	Digital/Analog select
18	P50	I/O	O	SMUTE	H	Soft mute by DAC
19	P51	I/O	O	UMUTE	L	Hard mute by Tr.
20	P52	I/O	O	FS96	H	Fs=96k set
21	P53	I/O	O	BYPASS	H	Bypass DSP
22	P54	I/O	O	CS_DSP1	L	I/F Q601 (main DSP)
23	P55	I/O	O	CSB_DSP1	L	I/F Q601 (sub DSP)
24	Vss	I	-	GND	-	GND
25	P56	I/O	O	SS_DSP2	L	I/F Q651
26	P57	I/O	O	C_EF_DIR	-	DIR Status Out Select
27	P60	I/O	O	RSTRF	L	Reset to PM4007
28	P61	I/O	O	ADCAL	H	Cal. to ADC
29	P62	I/O	O	RSTDSP2	L	Reset to Q651
30	P63	I/O	O	ATT3	L	Attenuate to Bypass
31	P64	I/O	O	RSTDA1	L	Reset to DAC
32	P65	I/O	O	RSTDA2	L	Reset to DAC

Act. : Active level , OPT : Option

No	Port Name	I/O	USE	Sig. Name	Act.	Description
33	P66/WAIT	I/O	O	IC	L	Reset to Q601
34	P67/ASTB	I/O	O	RSTDIR	H	DIR Ch. Status Select
35	RESET	I	I	RSTC	L	I/F Master CPU
36	P00/INTP0	I	I	OVFB	-	Over load to DSP
37	P01/INTP1	I/O	I	REQ	L	I/F Master CPU
38	P02/INTP2	I/O	I	ERF	H	SPDIF Error status
39	P03/INTP3	I/O	I	RFNODET	L	RF input status
40	Vdd	I	-	+5V	-	+5v
41	X2	O	-	-	-	10MHz
42	X1	I	-	-	-	10MHz
43	IC	I	-	-	-	to GND
44	XT2	O	-	n.c.	-	Open
45	P04/XT1	I	-	n.c.	-	Vdd
46	Avss	I	-	GND	-	GND
47	P10/ANI0	I/O	ANI	KEY1	-	Optional 8 key input
48	P11/ANI1	I/O	ANI	KEY2	-	Optional 8 key input
49	P12/ANI2	I/O	ANI	KEY3	-	Optional 8 key input
50	P13/ANI3	I/O	ANI	KEY4	-	Optional 8 key input
51	P14/ANI4	I/O	I	SWITCH1	-	Link Host or Stand alone
52	P15/ANI5	I/O	I	SWITCH2	-	THX or Not
53	P16/ANI6	I/O	I	SWITCH3	-	ADC or CODEC
54	P17/ANI7	I/O	O	PDAD	-	ADC Power Down
55	AVdd	I	-	+5v	-	+5v
56	AVref	I	-	+5v	-	+5v
57	P20/SI1	I/O	I	SI1	-	I/F Master CPU
58	P21/SO1	I/O	O	SO1	-	I/F Master CPU
59	P22/SCK1	I/O	I	SCK1	-	I/F Master CPU
60	P23/STB	I/O	O	ACK	L	I/F Master CPU
61	P24/BUSY	I/O	O	DEEMP	-	Pull Up
62	P25/SI0	I/O	I	SI0	-	I/F Q601&Q651
63	P26/SO0	I/O	O	SO0	-	I/F Q601&Q651
64	P27/SCK0	I/O	O	SCK0	-	I/F Q601&Q651

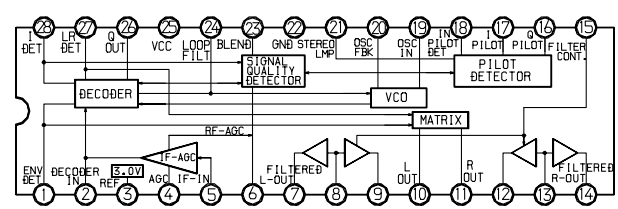
QM09:PM4007A



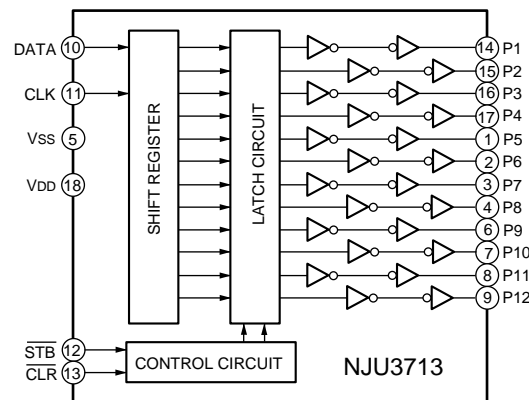
No.	Name	I/O	Function
1	GND	-	GND
2	VDD	-	+5VD
3	RESET	I	System Reset At "L" reset
4	OSCON	I	Oscillator control At "H" during normal operation At "L" during standby
5	DATA	I	TEST
6	MCK	I	TEST
7	MLTB	I	TEST
8	IDST	O	TEST
9	IDCK	O	TEST
10	IDO	O	TEST
11	TM0	I	TEST
12	ECCK	O	TEST
13	DEN	O	TEST
14	DRY	O	TEST
15	MSYC	O	TEST
16	TM1	I	TEST
17	A0	O	RAM A0
18	A1	O	RAM A1
19	A2	O	RAM A2
20	A3	O	RAM A3
21	A4	O	RAM A4
22	A5	O	RAM A5
23	TM2	I	TEST
24	TM3	I	TEST
25	XOUT	O	TEST
26	XIN	I	TEST
27	XEXT	I	TEST
28	GND	-	GND
29	VDD	-	+5VD
30	A6	O	RAM A6
31	A7	O	RAM A7
32	GND	-	GND
33	VDD	-	+5VD
34	A12	O	RAM A12
35	A14	O	RAM A14
36	WEB	O	RAM WEB
37	A13	O	RAM A13
38	A8	O	RAM A8
39	A9	O	RAM A9
40	GND	-	GND
41	A11	O	RAM A11
42	OEB	O	RAM OE
43	A10	O	RAM A10
44	DB7	B	RAM D7
45	DB6	B	RAM D6
46	DB5	B	RAM D5
47	DB4	B	RAM D4
48	DB3	B	RAM D3
49	DB2	B	RAM D2
50	DB1	B	RAM D1

No.	Name	I/O	Function
51	DB0	B	RAM D0
52	VDD	-	+5VD
53	GND	-	GND
54	TI1	I	TEST
55	VIN	I	VCXO input
56	VOU	O	VCXO output
57	TI2	I	TEST
58	TI3	I	TEST
59	TLDB	I	TEST
60	TCK	I	TEST
61	TRP	O	TEST
62	TDO	O	TEST
63	PDO	O	Phase comparator output (3-state)
64	TI4	I	TEST
65	PDDIS	I	Control input for PDO out At "L" Output ON
66	MUTO	O	Muting output. Mutes at "H". Sets to "H" when MUTI = H or the AC-3 period cannot be received.
67	TI5	I	TEST
68	VLDY	O	TEST
69	DASYO	O	TEST
70	DAOUT	O	Digital OUT (serial data stream output)
71	DAIN	I	Digital external input : Sets to DAOUT when DASEL is at "H"
72	DASEL	I	Selects digital OUT
73	TI8	I	TEST
74	C2F1	O	N.C.
75	C2F0	O	N.C.
76	C1F1	O	N.C.
77	C1F0	O	Displays C1 correction error status. Outputs error count at C1.
78	MUTI	I	Muting input. Mutes at "H".
79	VDD	-	+5VD
80	GND	-	GND
81	AVDD	I	+5VD
82	CPIN	I	Analog converter inverted input
83	CMIN	I	Analog converter inverted input
84	AGND	-	GND
85	TM4	I	TEST
86	VDD	-	+5VD
87	DIN	I	TEST
88	DOUT	O	Analog converter inverted output
89	DOU	O	Analog converter inverted reverse output
90	C9M	O	N.C.
91	GND	-	GND
92	WINGT	O	TEST
93	SYST0	O	TEST
94	SYST1	O	TEST
95	ADST0	O	TEST
96	ADST1	O	TEST
97	TM5	I	TEST
98	BUNRI	I	TEST
99	AGND	-	GND
100	AVDD	-	+5VD

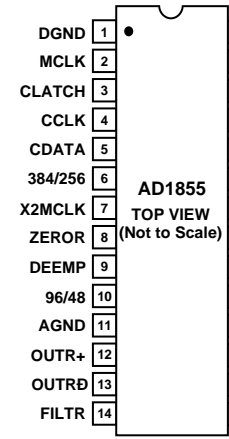
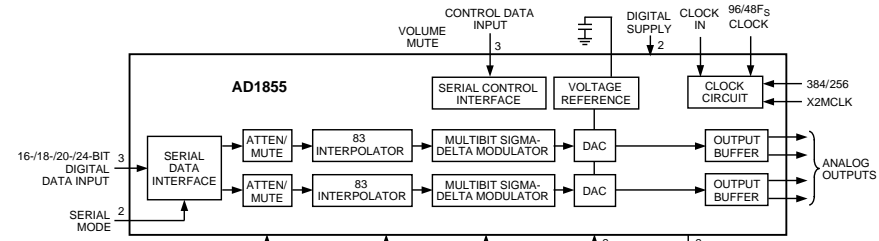
QA51:MC13022



QV01:NJU3713

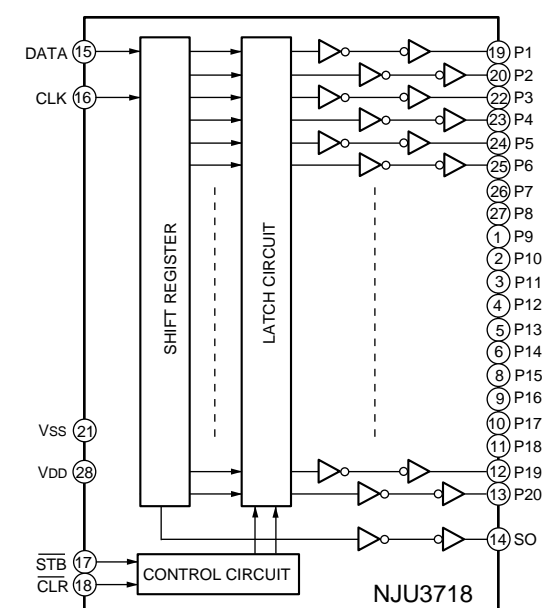


QD01/QD03/QD41/QD43:AD1855

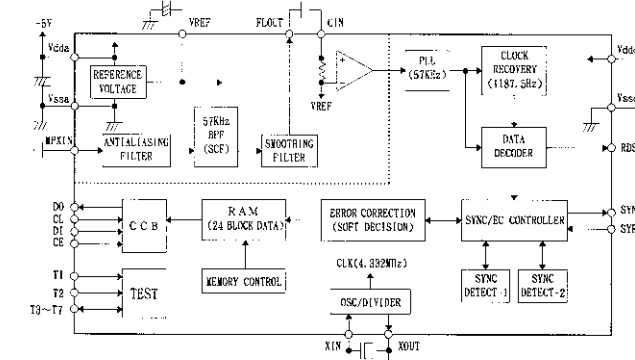


Pin	Input/Output	Pin Name	Description
1	I	DGND	Digital Ground.
2	I	MCLK	Master Clock Input. Connect to an external clock source at either 256, 384 or 512 Fs.
3	I	CLATCH	Latch input for control data. This input is rising-edge sensitive.
4	I	CCLK	Control clock input for control data. Control input data must be valid on the rising edge of CCLK. CCLK may be continuous or gated.
5	I	CDATA	Serial control input, MSB first, containing 16 bits of unsigned data per channel. Used for specifying channel specific attenuation and mute.
6	I	384/256	Selects the master clock mode as either 384 times the intended sample frequency (HI) or 256 times the intended sample frequency (LO). The state of this input should be hardwired to logic HI or logic LO, or may be changed while the AD1855 is in power-down/reset. It must not be changed while the AD1855 is operational.
7	I	X2MCLK	Selects internal clock doubler (LO) or internal clock = MCLK (HI).
8	O	ZEROR	Right Channel Zero Flag Output. This pin goes HI when Right Channel has no signal input for more than 1024 LR Clock Cycles.
9	I	DEEMP	De-Emphasis. Digital de-emphasis is enabled when this input signal is HI. This is used to impose a 50ms/15ms response characteristic on the output audio spectrum at an assumed 44.1 kHz sample rate.
10	I	96/48	Selects 48 kHz (LO) or 96 kHz Sample Frequency Control.
11, 15	I	AGND	Analog Ground.
12	O	OUTR+	Right Channel Positive line level analog output.
13	O	OUTR-	Right Channel Negative line level analog output.
14	O	FILTR	Voltage Reference Filter Capacitor Connection. Bypass and decouple the voltage reference with parallel 10m F and 0.1 m F capacitors to the AGND.
16	O	OUTL-	Left Channel Negative line level analog output.
17	O	OUTL+	Left Channel Positive line level analog output.
18	I	AVDD	Analog Power Supply. Connect to analog +5 V supply.
19	O	FILTB	Filter Capacitor connection. connect 10 m F capacitor to AGND.
20	I	IDPM1	Input serial data port mode control one. With IDPM0, defines one of four serial modes.
21	I	IDPM0	Input serial data port mode control zero. With IDPM1, defines one of four serial modes.
22	O	ZEROL	Left Channel Zero Flag output. This pin goes HI when Left Channel has no signal input for more than 1024 LR Clock Cycles.
23	I	MUTE	Mute. Assert HI to mute both stereo analog outputs. Deassert LO for normal operation.
24	I	PD/RST	Power-Down/Reset. The AD1855 is placed in a low power consumption mode when this pin is held LO. The AD1855 is reset on the rising edge of this signal. The serial control port registers are reset to the default values. Connect HI for normal operation.
25	I	L/RCLK	Left/Right clock input for input data. Must run continuously.
26	I	BCLK	Bit clock input for input data. Need not run continuously; may be gated or used in a burst fashion.
27	I	SDATA	Serial input, MSB first, containing two channels of 16, 18, 20, and 24 bits of two complement data per channel.
28	I	DVDD	Digital Power Supply Connect to digital +5 V supply.

QL07/QU02:NJU3718

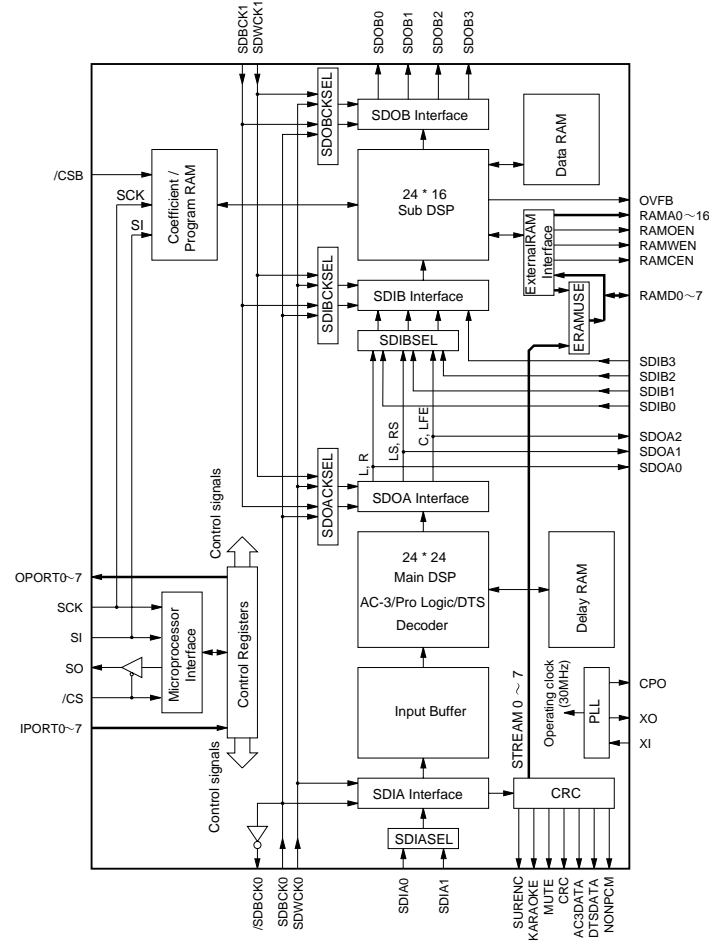


Q351:LC72720



VREF	1	24	SYR
MPXIN	2	23	CE
Vddin	3	22	DI
Vssin	4	21	CL
FLOUT	5	20	DO
CIN	6	19	RDS ID
TI	7	18	SYNC
T2	8	17	T7(CORREC/ARI-ID/BEI)
T3(CORCL)	9	16	T5(ERROR/57K/BEI)
T4(CORCL)	10	15	Vssd
T5(CSPT)	11	14	Vddd
XOUT	12	13	XIN

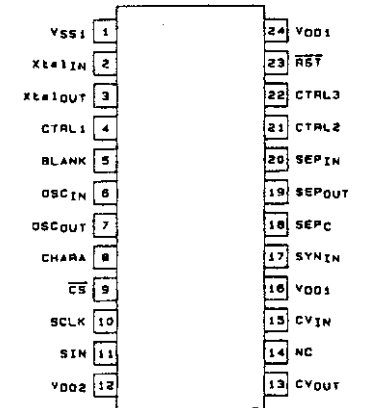
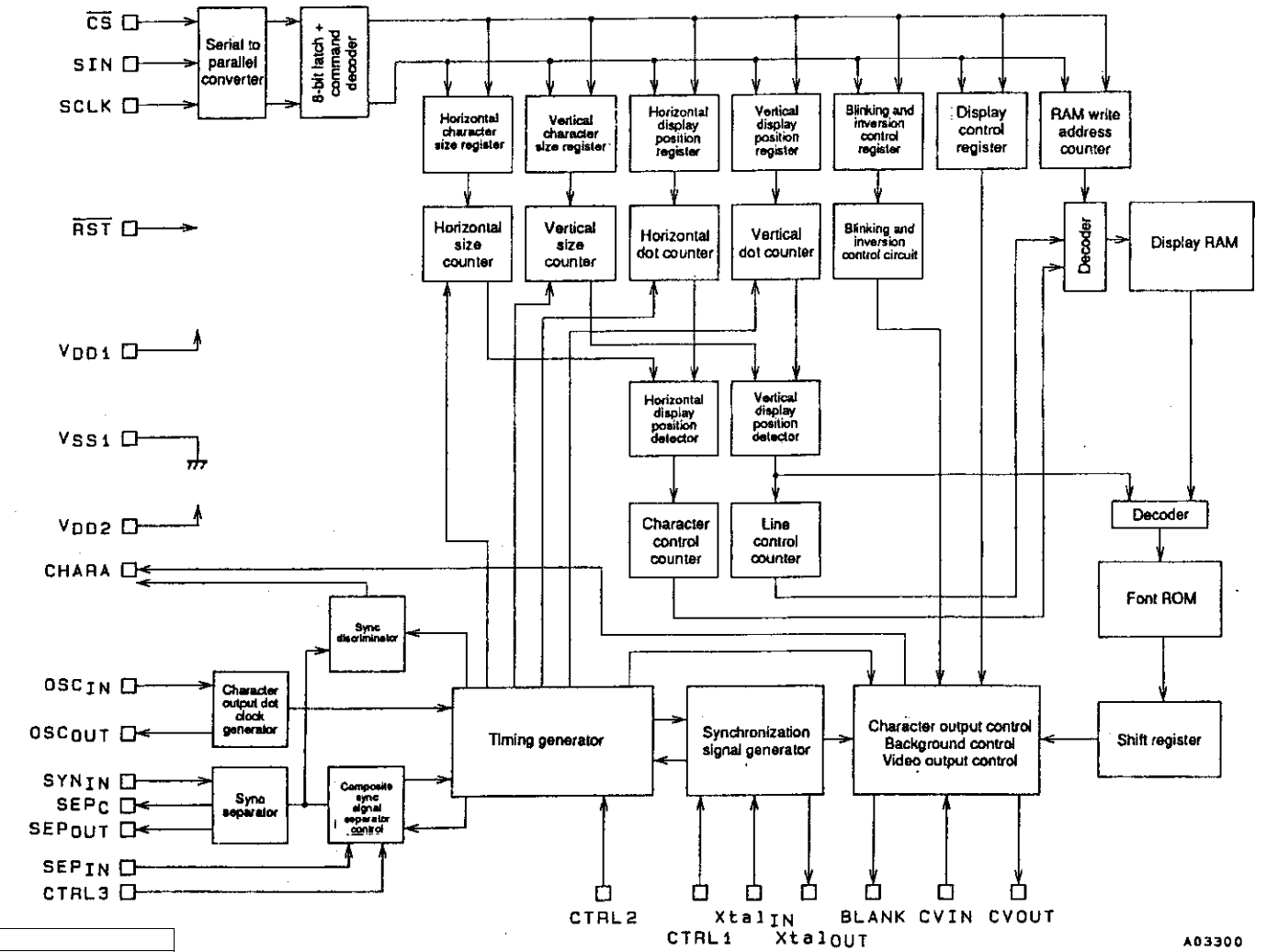


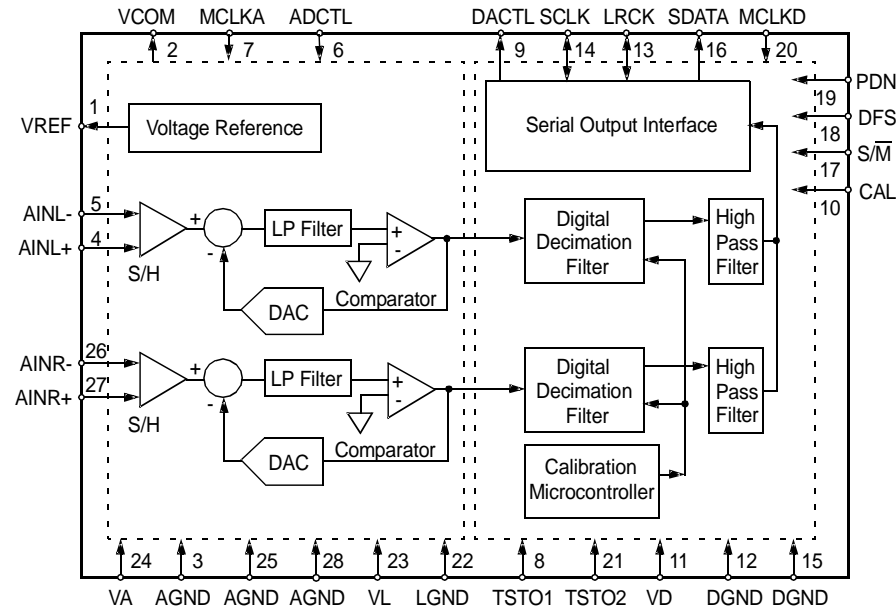


No.	NAME	I/O	FUNCTION
1	VDD1	-	+5V power supply (for I/Os)
2	RAMCEN	O	External SRAM Interface /CE
3	RAMA16	O	External SRAM Interface address 16
4	RAMA15	O	External SRAM Interface address 15
5	SDIB0	I+	PCM input 0 to Sub DSP
6	SDIB1	I+	PCM input 1 to Sub DSP
7	SDIB2	I+	PCM input 2 to Sub DSP
8	XI	I	Crystal oscillator connection or input external clock (12.288 MHz)
9	XO	O	Crystal oscillator connection
10	VSS	-	Ground
11	AVDD	-	+3.3V power supply (for PLL circuit)
12	SDIB3	I+	PCM input 3 to Sub DSP
13	TEST	O	Test terminal (to be open in normal use)
14	TEST	O	Test terminal (to be open in normal use)
15	OVFB	O	Detection of overflow at Sub DSP
16	DTSDATA	O	DTS data detection (Refer to "Status Register".)
17	AC3DATA	O	AC-3 data detection (Refer to "Status Register".)
18	SDOB3	O	PCM output from Sub DSP
19	CPO	A	Output terminal for PLL, to be connected to ground through the external analog filter circuit. (Refer to "External Circuit for PLL".)
20	AVSS	-	Ground (for PLL circuit)
21	VDD2	-	+3.3V power supply (for core logic)
22	SDOA2	O	PCM output from Main DSP (C, LFE)
23	SDOA1	O	PCM output from Main DSP (LS, RS)
24	SDOA0	O	PCM output from Main DSP (L, R)
25	RAMA14	O	External SRAM Interface address 14
26	RAMA13	O	External SRAM Interface address 13
27	RAMA12	O	External SRAM Interface address 12
28	RAMA11	O	External SRAM Interface address 11
29	RAMA10	O	External SRAM Interface address 10
30	VSS	-	Ground
31	VDD1	-	+5V power supply (for I/Os)
32	OPORT0	O	Output port for general purpose. (Refer to "OPORT Register")
33	OPORT1	O	Output port for general purpose. (Refer to "OPORT Register")
34	OPORT2	O	Output port for general purpose. (Refer to "OPORT Register")
35	OPORT3	O	Output port for general purpose. (Refer to "OPORT Register")
36	OPORT4	O	Output port for general purpose. (Refer to "OPORT Register")
37	OPORT5	O	Output port for general purpose. (Refer to "OPORT Register")
38	OPORT6	O	Output port for general purpose. (Refer to "OPORT Register")
39	OPORT7	O	Output port for general purpose. (Refer to "OPORT Register")
40	VSS	-	Ground
41	VDD2	-	+3.3V power supply (for core logic)
42	RAMA9	O	External SRAM interface address 9
43	RAMA8	O	External SRAM interface address 8
44	RAMA7	O	External SRAM interface address 7
45	SDOB2	O	PCM output from Sub DSP
46	SDOB1	O	PCM output from Sub DSP
47	SDOB0	O	PCM output from Sub DSP
48	SDBCK1	I+	Bit clock input for SDOA, SDIB, SDOB. (Refer to "SDOA, SDIB, SDOB Register")
49	SDWCK1	I+	Word clock input for SDOA, SDIB, SDOB. (Refer to "SDOA, SDIB, SDOB Register")
50	VSS	-	Ground

No.	NAME	I/O	FUNCTION
51	VDD2	-	+3.3V power supply (for core logic)
52	NONPCM	O	Detection of non PCM data. (Refer to "Status Register")
53	CRC	O	Detection of AC-3 CRC error. (Refer to "Status Register")
54	MUTE	O	Detection of auto-mute. (Refer to "Status Register")
55	KARAOKE	O	Detection of AC-3 karaoke data. (Refer to "Status Register")
56	SURENC	O	Detection of AC-3 2/0 mode Dolby surround encoded input (Refer to "Status Register")
57	SDBCK0	O	Inverted SDBCK0 clock output (refer to "Block diagram")
58	RAMA6	O	External SRAM Interface address 6
59	RAMA5	O	External SRAM Interface address 5
60	VSS	-	Ground
61	RAMA4	O	External SRAM Interface address 4
62	/IC	Is	Initial clear
63	TEST	O	Test terminal (to be open in normal use)
64	RAMA3	O	External SRAM Interface address 3
65	/CSB	Is+	Sub DSP Chip select
66	/CS	Is	Microprocessor interface Chip select
67	SO	Ot	Microprocessor interface Serial data output
68	SI	Is	Microprocessor interface/Sub DSP Serial data input
69	SCK	Is	Microprocessor interface/Sub DSP clock input
70	RAMA2	O	External SRAM Interface address 2
71	VDD1	-	+5V power supply (for I/Os)
72	RAMD0	I+/O	External SRAM Interface data (STREAM 0 output when External SRAM is not in use)
73	RAMD1	I+/O	External SRAM Interface data (STREAM 1 output when External SRAM is not in use)
74	RAMD2	I+/O	External SRAM Interface data (STREAM 2 output when External SRAM is not in use)
75	RAMD3	I+/O	External SRAM Interface data (STREAM 3 output when External SRAM is not in use)
76	RAMD4	I+/O	External SRAM Interface data (STREAM 4 output when External SRAM is not in use)
77	RAMD5	I+/O	External SRAM Interface data (STREAM 5 output when External SRAM is not in use)
78	RAMD6	I+/O	External SRAM Interface data (STREAM 6 output when External SRAM is not in use)
79	RAMD7	I+/O	External SRAM Interface data (STREAM 7 output when External SRAM is not in use)
80	VSS	-	Ground
81	VDD2	-	+3.3V power supply (for core logic)
82	SDWCK0	I	Word clock input for SDIA, SDOA, SDIB, SDOB (Refer to "SDIA, SDOA, SDIB, SDOB Register")
83	SDBCK0	I	Bit clock input for SDIA SDOA SDIB SDOB (Refer to "SDIA, SDOA, SDIB, SDOB Register")
84	SDIA0	I	AC-3/DTS bitstream (or PCM) data input for Main DSP (Refer to "SDIA Register")
85	SDIA1	I	AC-3/DTS bitstream (or PCM) data input for Main DSP (Refer to "SDIA Register")
86	RAMA1	O	External SRAM Interface address 1
87	RAMA0	O	External SRAM Interface address 0
88	RAMWEN	O	External SRAM Interface /WE
89	RAMOEN	O	External SRAM Interface /OE
90	VSS	-	Ground
91	VDD2	-	+3.3V power supply (for core logic)
92	IPORT7	I+	Input port for general purpose (Refer to "IPORT Register")
93	IPORT6	I+	Input port for general purpose (Refer to "IPORT Register")
94	IPORT5	I+	Input port for general purpose (Refer to "IPORT Register")
95	IPORT4	I+	Input port for general purpose (Refer to "IPORT Register")
96	IPORT3	I+	Input port for general purpose (Refer to "IPORT Register")
97	IPORT2	I+	Input port for general purpose (Refer to "IPORT Register")
98	IPORT1	I+	Input port for general purpose (Refer to "IPORT Register")
99	IPORT0	I+	Input port for general purpose (Refer to "IPORT Register")
100	VSS	-	Ground

Note ) Is : Schmidt trigger input terminal  
 I+ : Input terminal with a pull-up resistor  
 O : Digital output terminal  
 Ot : Tri-state digital output terminal  
 A : Analog terminal





VOLTAGE REFERENCE	VREF	1	28	AGND	ANALOG GROUND
COMMON MODE VOLTAGE OUTPUT	VCOM	2	27	AINR+	RIGHT CHANNEL ANALOG INPUT+
ANALOG GROUND	AGND	3	26	AINR-	RIGHT CHANNEL ANALOG INPUT-
LEFT CHANNEL ANALOG INPUT+	AINL+	4	25	AGND	ANALOG GROUND
LEFT CHANNEL ANALOG INPUT-	AINL-	5	24	VA	POSITIVE ANALOG POWER
ANALOG CONTROL DATA INPUT	ADCTL	6	23	VL	ANALOG SECTION LOGIC POWER
ANALOG SECTION CLOCK INPUT	MCLKA	7	22	LGND	ANALOG SECTION LOGIC GROUND
TEST OUTPUT	TSTO1	8	21	TSTO2	TEST OUTPUT
CONTROL DATA OUTPUT	DACTL	9	20	MCLKD	DIGITAL SECTION CLOCK INPUT
CALIBRATION	CAL	10	19	PDN	POWER DOWN
DIGITAL SECTION POWER	VD	11	18	DFS	SERIAL DATA FORMAT SELECT
DIGITAL GROUND	DGND	12	17	S/M	SLAVE/MASTER MODE
LEFT/RIGHT CLOCK	LRCK	13	16	SDATA	SERIAL DATA OUTPUT
SERIAL CLOCK	SCLK	14	15	DGND	DIGITAL GROUND

**Power Supply Connections**

- VA - Analog Power, Pin 24.** Positive analog supply. Nominally +5 volts.
- VL - Logic Power, Pin 23.** Positive logic supply for the analog section. Nominally +5 volts.
- AGND - Analog Ground, Pins 3, 25, and 28.** Analog ground reference.
- LGND - Logic Ground, Pin 22.** Ground reference for the logic portions of the analog section.
- VD - Digital Power, Pin 11.** Positive supply for the digital section. Nominally +5 volts.
- DGND - Digital Ground, Pins 12 and 15.** Digital ground reference for the digital section.

**Analog Inputs**

- AINR-, AINR+ - Differential Right Channel Analog Inputs, Pins 26 and 27.** Analog input connections for the right channel differential inputs. Nominally 4.0 Vpp differential for full-scale digital output.
- AINL-, AINL+ - Differential Left Channel Analog Inputs, Pins 4 and 5.** Analog input connections for the left channel differential inputs. Nominally 4.0 Vpp differential for full-scale digital output.

**Analog Outputs**

- VCOM - Common Mode Voltage Output, Pin 2.** Nominally +2.5 volts. Requires a 10 mF electrolytic capacitor in parallel with 0.1 mF ceramic capacitor for decoupling to AGND. Caution is required if this output be used to bias the analog input buffer circuits. Refer to the CDB5394 as an example.
- VREF - Voltage Reference Output, Pin 1.** Nominally +4 volts. Requires a 100 mF electrolytic capacitor in parallel with 0.1 mF ceramic capacitor for decoupling to AGND.

**Digital Inputs**

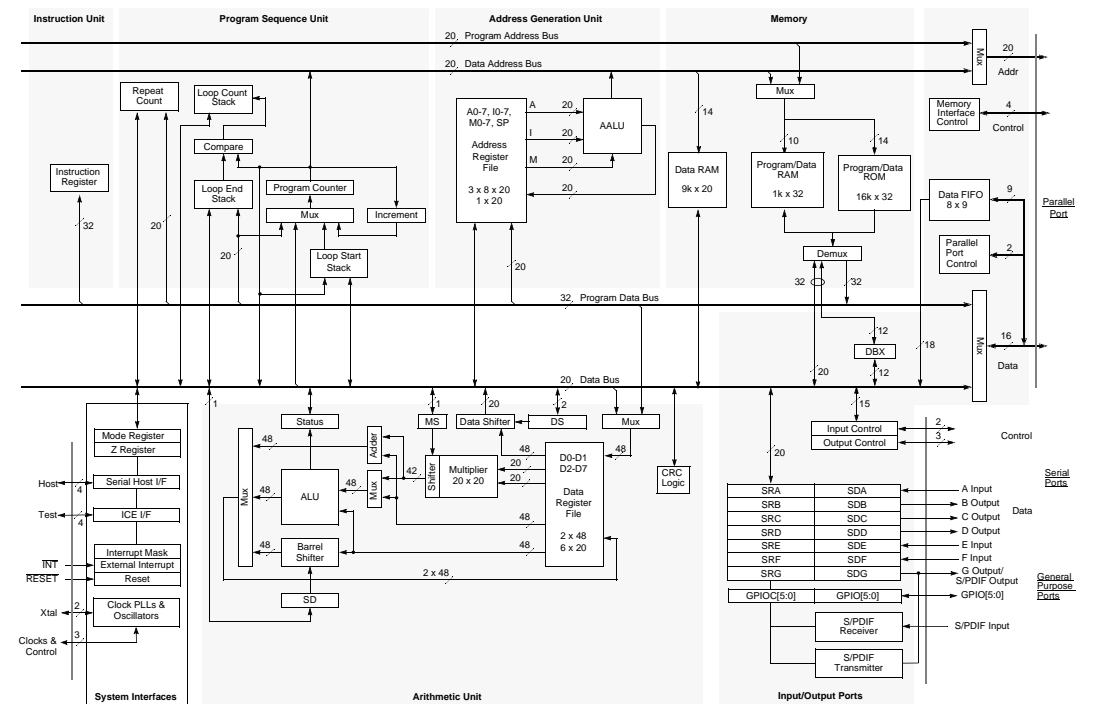
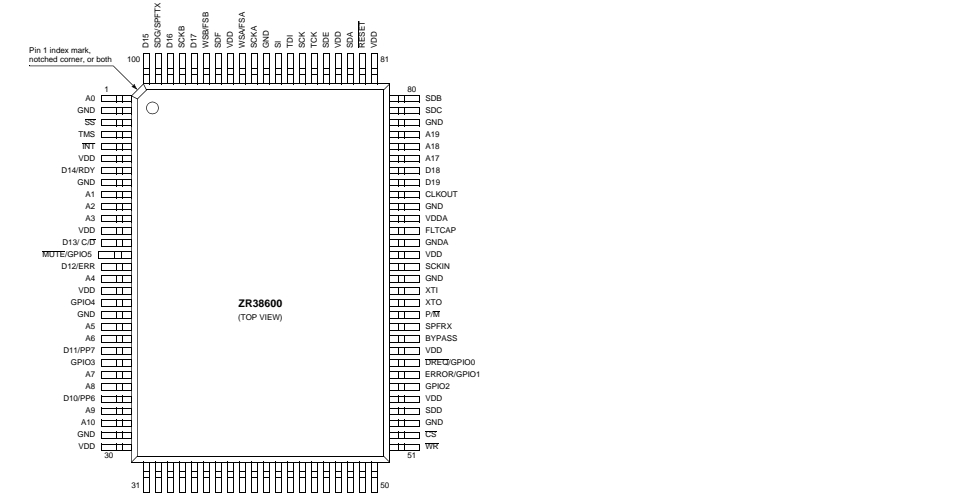
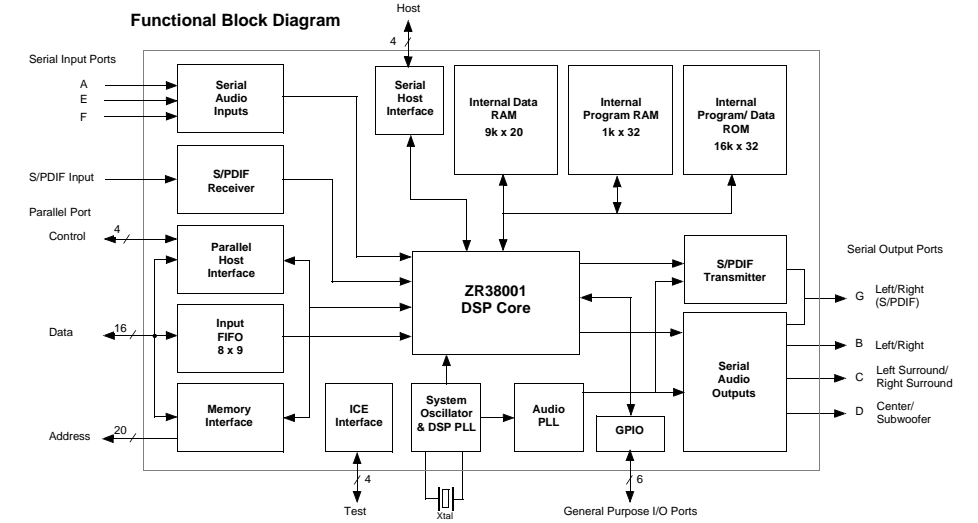
- ADCTL - Analog Control Input, Pin 6.** Must be connected to DACTL. This signal enables communication between the analog and digital circuits.
- DFS - Digital Format Select, Pin 18.** The relationship between LRCK, SCLK and SDATA is controlled by the DFS pin. When high, the serial output data format is 1 2 S compatible. The serial data format is left-justified when low.
- CAL - Calibration, Pin 10.** Activates the calibration of the tri-level delta-sigma modulator on the rising edge of the CAL input.
- MCLKA - Analog Section Input Clock, Pin 7.** This clock is internally divided and controls the delta-sigma modulators. An MCLKA frequency of 12.288 MHz sets a modulator sampling rate of 3.072 MHz and a output sample rate of 48 kHz. MCLKA must be connected to MCLKD.
- MCLKD - Digital Section Input Clock, Pin 20.** MCLKD clocks the digital filter and must be connected to MCLKA. The required MCLKD frequency is determined by the desired sample rate. A MCLKD of 12.288MHz corresponds to Fs equal to 48 kHz. MCLKA must be connected to MCLKD.
- PDN - Power Down, Pin 19.** When high, the device enters power down. Upon returning low, the device enters normal operation and issues commands to initialize the voltage reference and synchronize the analog and digital sections of the device.
- S/M - Slave or Master Mode, Pin 17.** When high, the device is configured for Slave mode where LRCK and SCLK are inputs. The device is configured for Master mode where LRCK and SCLK are outputs when S/M is low.

**Digital Outputs**

- DACTL - Digital to Analog Control Output, Pin 9.** Must be connected to ADCTL. This signal enables communication between the digital and analog circuits.
- SDATA - Digital Audio Data Output, Pin 16.** The 24-bit audio data is presented MSB first, in 2's complement format. This pin has an internal pull-down resistor and must remain low during the power-up sequence to avoid accessing a test mode.
- Digital Inputs or Outputs**
- LRCK - Left/Right Clock, Pin 13.** LRCK determines which channel, left or right, is to be output on SDATA. The relationship between LRCK, SCLK and SDATA is controlled by the Digital Format Select (DFS) pin. Although the outputs for each channel are transmitted at different times, Left/Right pairs represent simultaneously sampled analog inputs. In master mode, LRCK is an output whose frequency is equal to Fs. In Slave Mode, LRCK is an input whose frequency must be equal to Fs.
- SCLK - Serial Data Clock, Pin 14.** Clocks the individual bits of the serial data from SDATA. The relationship between LRCK, SCLK and SDATA is controlled by the Digital Format Select (DFS) pin. In master mode, SCLK is an output clock at 64•L Fs. In slave mode, SCLK is an input which requires a continuously supplied clock at any frequency from 48•L to 128•L Fs (64•L is recommended).

**Miscellaneous**

- TSTO1, TSTO2 - Test Outputs, Pins 8 and 21.** These pins are intended for factory test outputs. They must not be connected to any external component or any length of circuit trace.



## 6. SERVICE PROGRAM

### REMARK

If these service programs are set, All user preset memories will be cleared.

#### 1. FACTORY mode (Tracking point memory)

This **FACTORY mode** can be used for measurement of the tuner circuit.

When the product is POWER ON, press both [ **MEMO** ] and [ **MODE ▼** ] buttons simultaneously over 3 seconds.

FLD shows "**FACTORY**" for 3 seconds. Press [ **PRESET** ] button, FLD shows "**PRESET SEL**".

The tuning frequencies are memorized as follows.

Band	VERSION	P1	P2	P3	P4
FM AUTO [MHz]	K, N, S, U	90.0	98.0	106.0	87.5
	F	78.0	83.0	88.0	76.0

Band	SCAN STEP	P5	P6	P7	P8	P9	P10	P11	P12
AM [kHz]	10 kHz(U)	600	1000	1400	520				
	9 kHz(F, K, S)	603	999	1404	531				
	MW/LW(N)	603	999	1404	171	207	270	152	531

#### 2. FLD segment check mode

This mode is available to check all luminous segments by the following steps.

1. When the product is FACTORY mode ( Refer to above mentioned "**1. FACTORY mode**"), press [ **DISPLAY OFF** ] button on remote control unit. FLD shows "**SERVICE**" for 2 seconds.
2. All segments and all LED light up for 5 seconds.
3. Each segment lights up step by step.
4. Press [ **DISPLAY OFF** ] button again, then this mode will be stopped and the product will be FACTORY mode.

#### 3. Version of microprocessor (CPU)

This program is available to confirm the version of each CPU by the following steps.

**QY01** (main) : When the product is POWER ON, press both [ **CL** ] and [ **TREBLE ▼** ] buttons simultaneously over 3 seconds.

FLD shows the version of program code for QY01.

**Q691** (DSP) : When the product is POWER ON, press both [ **CL** ] and [ **BASS ▼** ] buttons simultaneously over 3 seconds.

FLD shows the version of program code for Q691.

#### 4. Input and output test mode

This mode is available for the functions as shown in Fig 1 by the following steps.

1. When the product is FACTORY mode ( Refer to above mentioned "**1. FACTORY mode**"), press both [ **MEMO** ] and [ **TREBLE ▼** ] buttons simultaneously.
2. FLD shows "**AUTO D1**". By pressing both [ **MEMO** ] and [ **TREBLE ▼** ] buttons simultaneously each time, the mode is changed in the following order.

Fig 1 Input and output test mode

ORDER	INDICATION for FLD	MODE FUNCTION
1	AUTO D1	Input selection mode (without using system setup menu)
2	ALL CH D1	5 or 6 channels output mode (This mode is available for 2 channels input)
3	INPULSE --	This mode is development use only
4	CD/DIG1	This mode is the same status as FACTORY mode

#### 4.1. Input selection mode (without setting to system setup menu)

This mode is available to select the input without setting to system setup menu by the following steps.

1. When FLD shows "AUTO D1" ( Refer to "**4. Input and output test mode**"), the input can be shifted by pressing [ **MODE** ] button for the remote commander only each time as shown in Fig 2. ( [ **MODE** ] button is in page4 of **AMP** function for RC-18SR)

Fig 2. Input selection order by pressing [ **MODE** ] button each time

ORDER	INDICATION for FLD	INPUT STATUS
1	AUTO D1	DIG. 1 IN
2	AUTO D2	DIG. 2 IN
3	AUTO D3	DIG. 3 IN
4	AUTO D4	DIG. 4 IN
5	AUTO RF	RF IN
6	AUTO CD	CD IN (Analog)

**Note:** Surround mode is fixed "**AUTO**" mode automatically.

#### 4.2. 5.1 channels output mode

This mode is available to output the same signal from 5 channels, even though 2 channels audio signal comes in.

As the result, all channels output can be confirmed by using analog stereo signal or PCM audio signal.

AC-3 or DTS source is not necessary to output from any channel in this mode.

1. When FLD shows "ALL CH D1" (Refer to "**4. Input and output test mode**"), the input can be shifted by pressing [ **MODE** ] button for the remote commander only each time as shown in Fig 3. ( [ **MODE** ] button is in page4 of **AMP** function for RC-18SR)
2. Supply to 2 channels PCM signal for digital input or 2 channels analog signal for analog input. But, Left channel and Right channel of input signal should be equal.
3. Then each output from the product is the same as the input signal. (Subwoofer channel is respond to lower than 80Hz signal)

Fig 3. Input selection order by pressing [ **MODE** ] button each time

ORDER	INDICATION for FLD	INPUT STATUS
1	ALL CH D1	DIG. 1 IN
2	ALL CH D2	DIG. 2 IN
3	ALL CH D3	DIG. 3 IN
4	ALL CH D4	DIG. 4 IN
5	ALL CH RF	RF IN
6	ALL CH CD	CD IN (Analog)

#### 5. Transistor MUTE mode

In mute situation on the product, output signal is muted by Volume control IC and muting transistor.

But, this mode is available to work the muting transistor only by the following steps.

1. When the product is FACTORY mode ( Refer to "**1. FACTORY mode**"), press [ **MUTE** ] button for remote commander only.
2. FLD shows "**TrMUTE ON**", then muting transistor circuit is active only.

#### 6. How to reset the product

When the product is POWER ON, press both [ **CL** ] and [ **MODE ▼** ] buttons simultaneously.

FLD shows "**DEFAULT**" for 3 seconds, then all memories are cleared.

## 7. ALIGNMENT PROCEDURES

### 1. AM IF Adjustment

Step	Input Signal Source Connection	Signal Frequency	Source Signal Output Level and Modulation	Reception Frequency	Adjustment Point	Adjustment Value
1	Signal generator output to transmission *loop antenna. (*:Standard required loop)	999 kHz (F, K, N, S) 1000 kHz (U)	Level 300 $\mu$ V/m (50dB/m) Mod. 400 Hz 30%	Tuning point	LA06	Output level (L or R) <b>Maximum</b> at TAPE-OUT

**REMARK:** For receiving antenna, the adapted one is available.

This adjustment is not necessary normally, because the coil LA06 is preset by the original supplier. It is necessary when the incorrect usable sense and frequency response.

### 2. AM Tracking Adjustment (MW) [For N only]

Step	**Input Signal Source Connection	Signal Frequency	Source Signal Output Level and Modulation	Reception Frequency	Adjustment Point	Adjustment Value
1	Signal generator output to transmission *loop antenna. (*:Standard required loop)	603 kHz (F, K, N, S) 600 kHz (U)	Level 300 - 400 $\mu$ V/m Mod. 400 Hz 30%	603 kHz (F, K, N, S) 600 kHz (U)	LA01	Output level (L or R) <b>Maximum</b> at TAPE-OUT
2		1404 kHz (F, K, N, S) 1400 kHz (U)	Level 300 - 400 $\mu$ V/m Mod. 400 Hz 30%	1404 kHz (F, K, N, S) 1400 kHz (U)	CA01	Output level (L or R) <b>Maximum</b> at TAPE-OUT
3	Repeat step 1 and 2 until sensitivity be maximized.					

### 3. AM Tracking Adjustment (LW) (ONLY N VERSION)

Step	**Input Signal Source Connection	Signal Frequency	Source Signal Output Level and Modulation	Reception Frequency	Adjustment Point	Adjustment Value
1	Signal generator output to transmission *loop antenna. (*:Standard required loop)	171 kHz	Level 300 - 400 $\mu$ V/m Mod. 400 Hz 30%	171 kHz	LA03	Output level (L or R) <b>Maximum</b> at TAPE-OUT
2		270 kHz	Level 300 - 400 $\mu$ V/m Mod. 400 Hz 30%	270 kHz	CA08	Output level (L or R) <b>Maximum</b> at TAPE-OUT
3	Repeat step 1 and 2 until sensitivity be maximized.					

### 4. AM auto stop Adjustment

Step	Input Signal Source Connection	Signal Frequency	Source Signal Output Level and Modulation	Reception Frequency	Adjustment Point	Adjustment Value
1	Signal generator output to transmission *loop antenna. (*:Standard required loop)	999 kHz (F, K, N, S) 1000 kHz (U)	500 $\mu$ V/m (54 dB/m)	999 kHz (F, K, N, S) 1000 kHz (U)	RA11	"TUNED" indicate on FLD
2			1000 $\mu$ V/m (60 dB/m)	AUTO SCAN	Only Confirm	"TUNED" indicate on FLD

### 5. FM MONO. Distortion Adjustment

Step	Input Signal Source Connection	Signal Frequency	Source Signal Output Level and Modulation	Reception Frequency	Adjustment Point	Adjustment Value
1	Signal generator output to FM antenna terminal. (75 $\Omega$ )	98 MHz (K, N, S, U) 83 MHz (F)	500 $\mu$ V (54 dB) MONO 1 kHz / Dev.40kHz 53.3% (K, N, S) MONO 1 kHz / Dev. 75 kHz 100% (U, F)	98 MHz (P2)	L201	Distortion level <b>Minimum</b> at TAPE-OUT

### 6. FM Muting Level Adjustment

Turn the variable resistor **R212** to no indication ("TUNED") point. And return that valuable resistor in opposite to the "TUNED" indicate point.

Step	Input Signal Source Connection	Signal Frequency	Source Signal Output Level and Modulation	Reception Frequency	Adjustment Point	Adjustment Value
1	Signal generator output to FM antenna terminal. (75 $\Omega$ )	98 MHz (K, N, S, U) 83 MHz (F)	10 $\mu$ V (20 dB) MONO 1 kHz / Dev.40 kHz 53.3% (K, N, S) MONO 1 kHz / Dev. 75 kHz 100% (U,F)	98 MHz (P2) 83 MHz (P2)	R212	"TUNED" indicate on FLD
2			Over mentioned level <b>+3 dB</b>	AUTO SCAN	Only Confirm	"TUNED" indicate on FLD

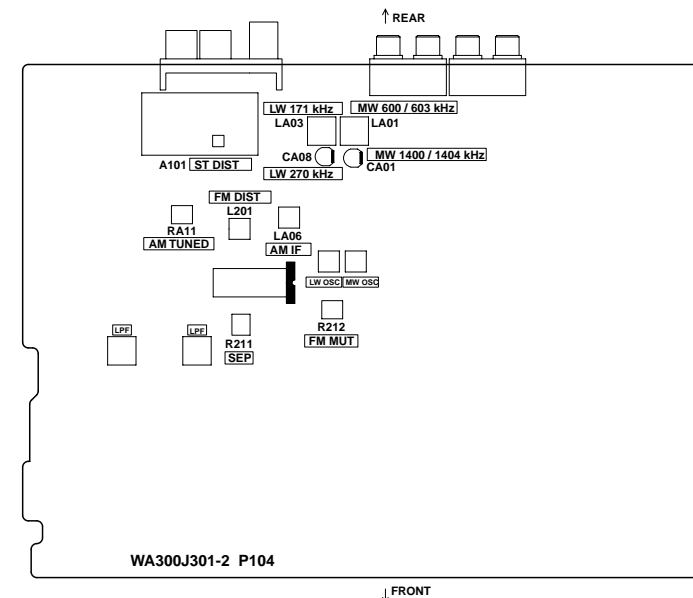
### 7. FM STEREO Distortion Adjustment

Adjust the **L channel** with the RF signal modulated only **L channel** first and confirm the **R channel** with the RF signal modulated only **R channel**.

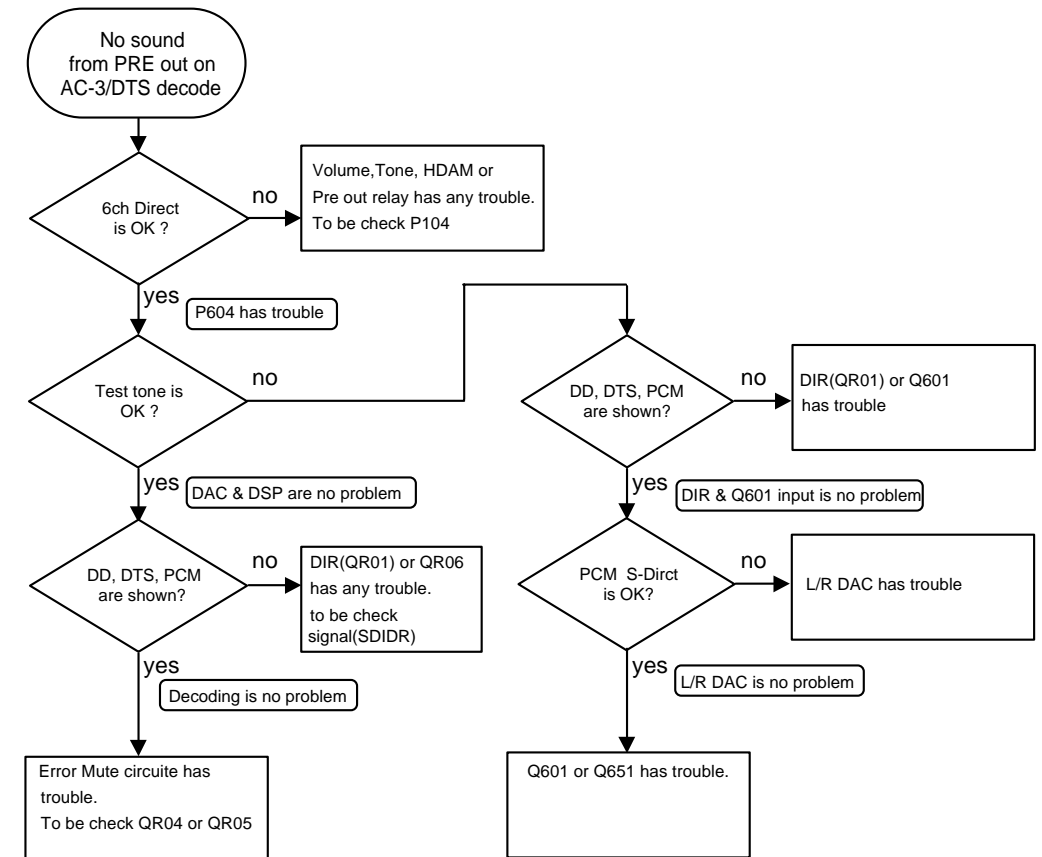
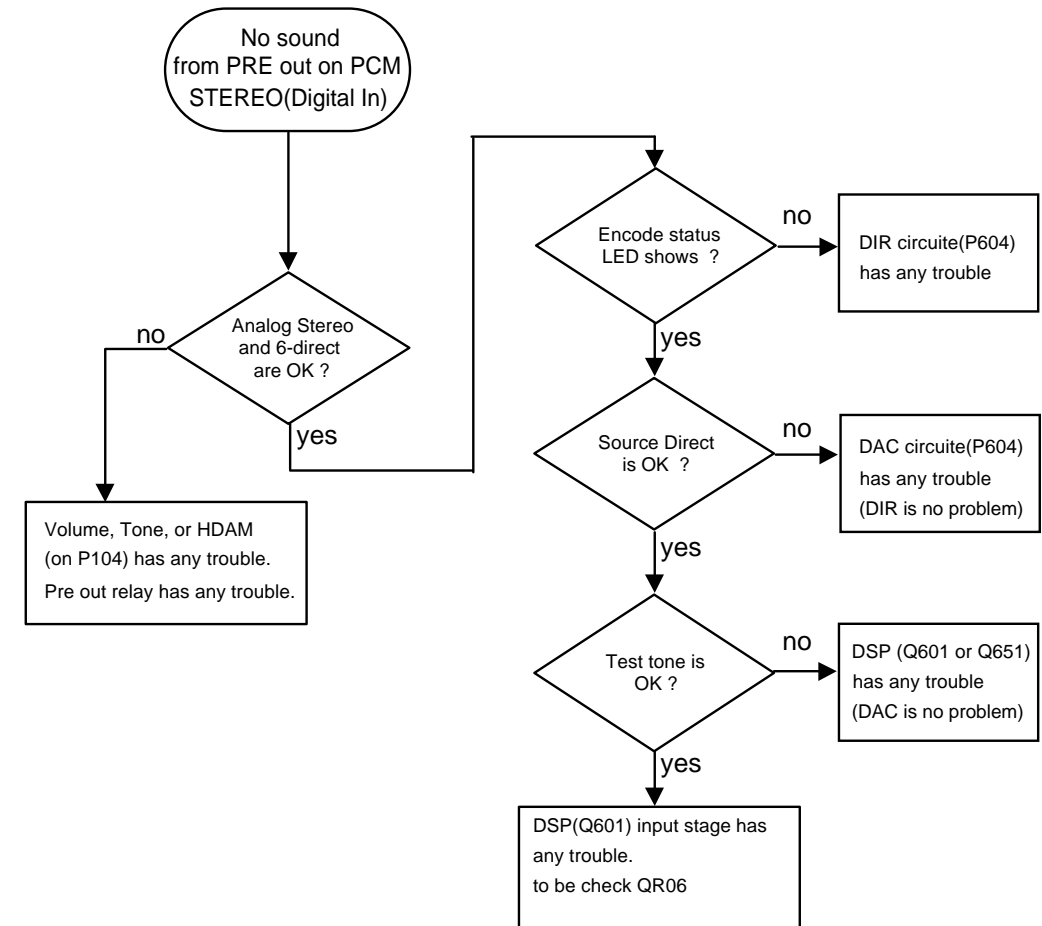
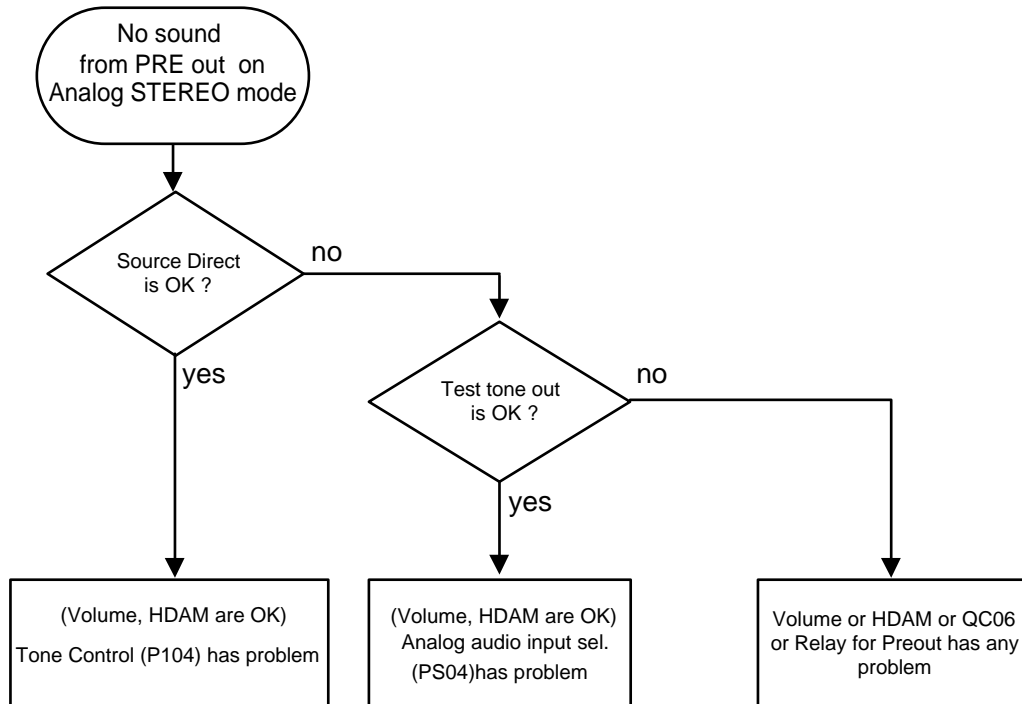
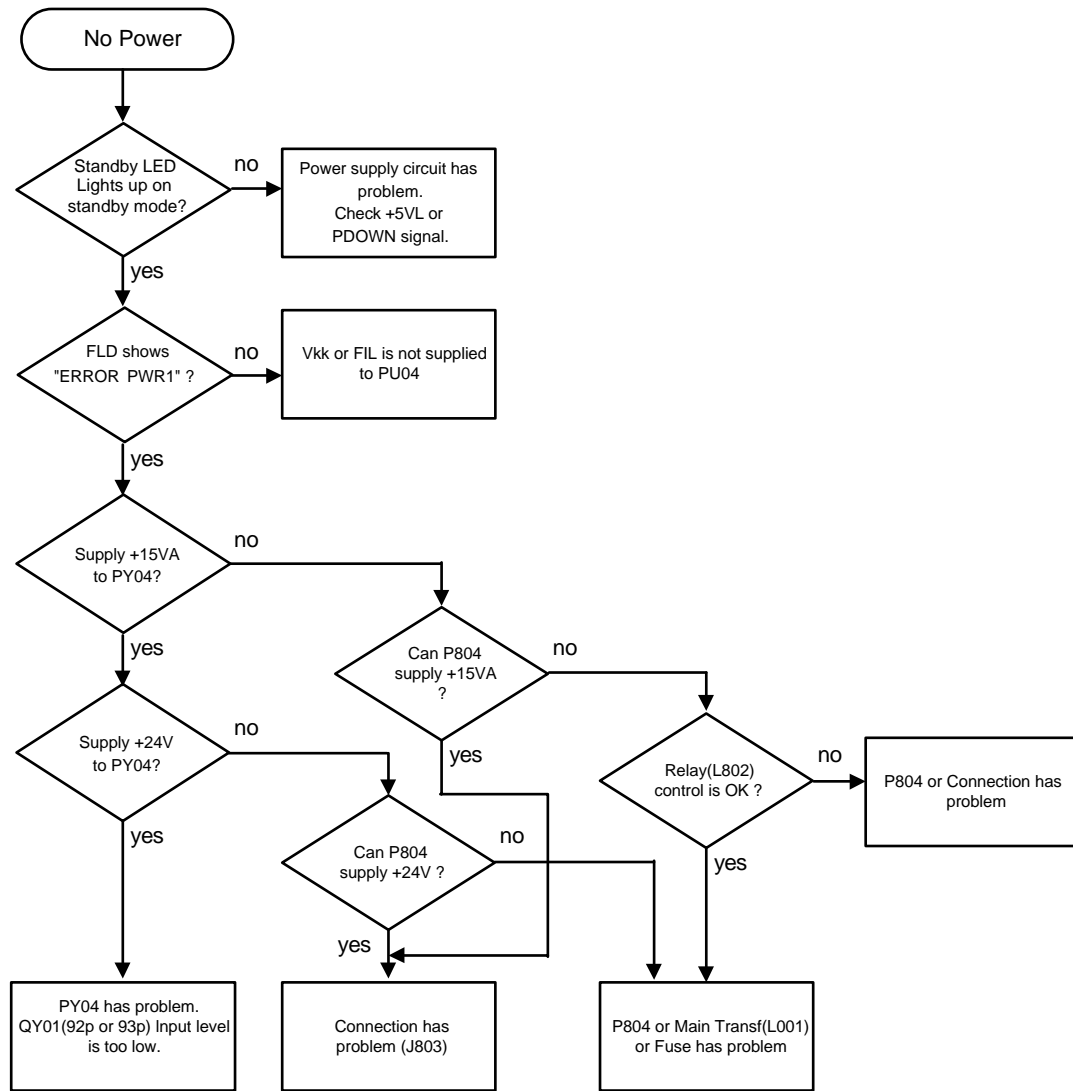
Step	Input Signal Source Connection	Signal Frequency	Source Signal Output Level and Modulation	Reception Frequency	Adjustment Point	Adjustment Value
1	Signal generator output to FM antenna terminal. (75 $\Omega$ )	98 MHz (K, N, S, U) 83 MHz (F)	500 $\mu$ V (54 dB) L or R 1 kHz / Dev. 40 kHz 53.3% PILOT 19 kHz / Dev. 6 kHz 8% (K, N, S)	98 MHz (P2) 83 MHz (P2)	IF COIL in FRONT END	Distortion level <b>Minimum</b> at TAPE-OUT
2			L or R 1 kHz / Dev. 67.5 kHz 90% PILOT 19 kHz / Dev. 6.75 kHz 9% (U, F)			Only Confirm

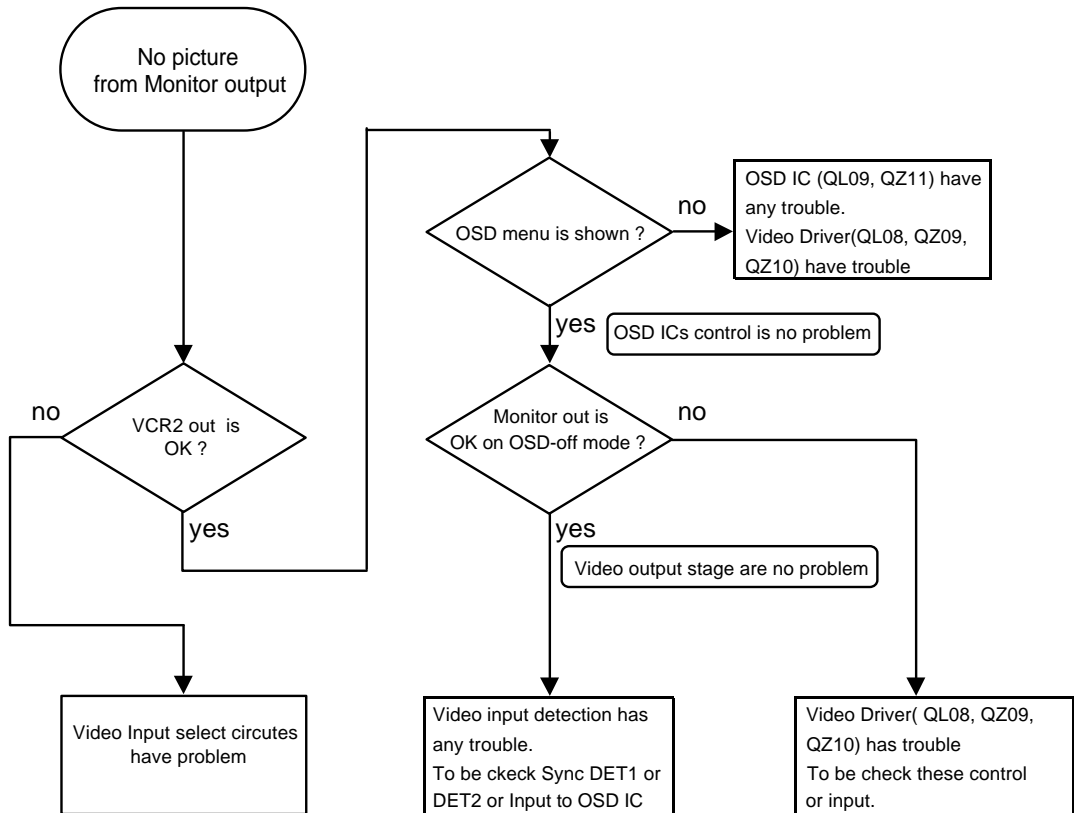
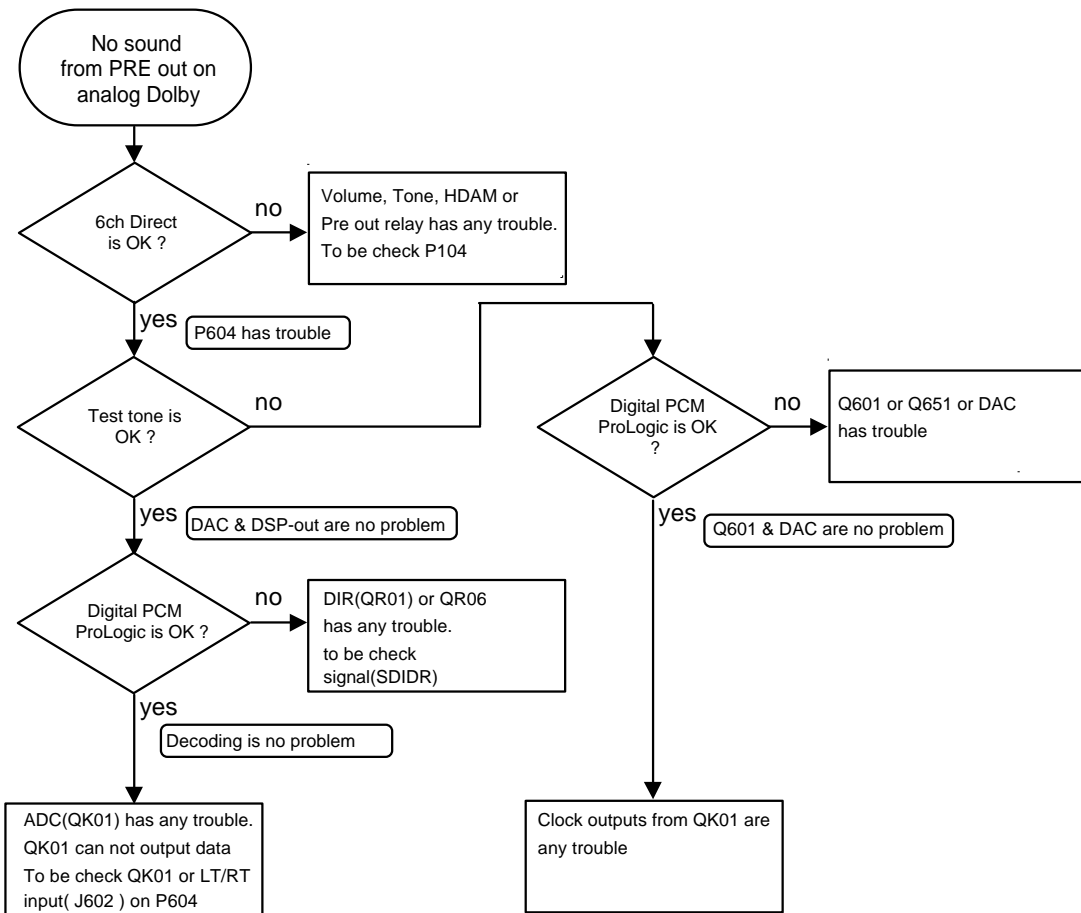
### 8. FM STEREO Separation Adjustment

Step	Input Signal Source Connection	Signal Frequency	Source Signal Output Level and Modulation	Reception Frequency	Adjustment Point	Adjustment Value
1	Signal generator output to FM antenna terminal. (75 $\Omega$ )	98 MHz (K, N, S, U) 83 MHz (F)	same specification as <b>FM STEREO distortion adjustment.</b> Input only <b>L channel</b> .	98 MHz (P2) 83 MHz (P2)	R211	Output level <b>Minimum</b> at TAPE-OUT channel <b>R</b>
2			same specification as <b>FM STEREO distortion adjustment.</b> Input only <b>R channel</b> .			98 MHz (P2) 83 MHz (P2)



## 8. TROUBLE SHOOTING





### 9. TECHNICAL DESCRIPTION

This product has two DSP ICs, one is for Dolby Digital (AC-3) decoding or DTS (Digital Theater System) decoding, another is for THX processing.

Multi channel sound is reproduced by connecting with DVD player or LD player.

Also Dolby Pro Logic decode is available to analog audio and PCM digital audio.

Additionally, 96kHz PCM stereo audio playback is possible.

Decoding circuit is consist of 13 ICs (DIR, two DSP, ADC, five DAC, AC-3 RF demodulator, two data separator and CPU).

#### DOLBY DIGITAL (AC-3)

Dolby Digital delivers six totally separate (discrete) channels of sound. Like Dolby Surround Pro Logic, it includes Left, Center and Right channels across the front of the room. Dolby Surround Pro Logic provides a single limited-bandwidth (100 Hz to 7,000 Hz) surround channel which is typically played back in the home through two channels of amplification and two speakers. In comparison, Dolby Digital provides separate (discrete) left surround and right surround channels, for more precise localization of sounds and a more convincing, realistic ambience. And, with Dolby Digital, all five main channels are full range (3 Hz to 20,000 Hz). A subwoofer could be added to each channel, if desired.

The sixth channel, the Low Frequency Effects Channel, will, at times, contain additional bass information to maximize the impact of scenes such as explosions, crashes, etc. Because this channel has only a limited frequency response (3 Hz to 120 Hz), it is sometimes referred to as the “.1” channel. When added to the 5 full range channels, the Dolby Digital system is sometimes referred to as having “5.1” channels.

#### DTS

An amazing new technology for surround-sound entertainment, DTS Digital Surround is an encode/decode system that delivers six channels (5.1) of master-quality, 20-bit audio. In the encoding process, the DTS algorithm encrypts six channels of 20-bit digital audio information in the space previously allotted for only two channels of 16-bit linear PCM. Then during playback, the DTS decoder reconstructs the original six channels of 20-bit digital audio. Each of these six channels is audibly superior to the 16-bit linear PCM audio found on conventional compact discs.

#### THX ULTRA

Home THX Controller Technologies : Dubbing stages (where soundtracks are created) and movie theatres do not change their acoustics, equipment, or system equalization when mixing or playing back 5.1 channel sound tracks. They merely divide the surround array of speakers into two symmetrical arrays (hence the term “split surround”). All of the remaining system equalization and setup remains the same. The Home THX Technologies of Re-Equalization, Timbre Matching, and Decorrelation, as well as the Home THX Crossover are still necessary for 5.1 channel formats. Because of the nature of the split surround soundtrack, Home THX Timbre Matching and Decorrelation technologies have been altered to provide correct surround sound balance and spaciousness. Here is a representation of how Home THX Controller Technologies work with the various surround sound formats.

#### DIR (Digital audio Interface Receiver : QR01 / CS8414)

This circuit extract synchronized clock signals and data from SPDIF signal input.

QR01(CS8414) generates these signals, this chip supports 96kHz sample rate.

#### 1st DSP (Digital Signal Processor for Dolby Digital, Pro Logic, DTS : Q601 / YSS912)

Q601(YSS912) decodes 6 channels audio from encoded data signal input.

Some effects are processed in addition to multi channel decoding on HALL, MATRIX, and MOVIE mode.

**2nd DSP (Digital Signal Processor for THX processing : Q651 / ZR38600)**

Q651(ZR38600) has the THX 5.1 processing functions. These functions include **Re-equalization, Surround Timbre-Matching, Adaptive Decorrelation, Bass Management, Bass Peak Level Manager, and Loudspeaker Position Time Synchronization.**

**Re-equalization** takes the edginess or “brightness” out of your home cinema sound, compensating for the fact that sound mixed for theatres will sound too bright when played back through flat response speakers in your home.

**Timbre Matching** matches the tone of your front speakers to your surrounds to compensate for the fact that only two surround speakers are used in a typical Home Theatre system instead of a full array as in a movie theatre.

**Adaptive Decorrelation** gives a stereo “feel” when your surrounds are playing mono and automatically switches off when they are playing stereo.

**Bass Management** Electronic Crossover allows you to use more compact, easier-to-place speakers, while sending bass to a subwoofer system, improving frequency response, lowering distortion and increasing dynamic range.

**Bass Peak Level Manager** protects your subwoofer from overloading due to the great amount of bass a 5.1 soundtrack delivers.

**Loudspeaker Position Time Synchronization** lets you easily set up your system for an optimum listening position, which is difficult to achieve within the space constraints of most homes.

**ADC (Analog to Digital Converter : QK01 / CS5394)**

CS5394 is a complete analog-to-digital converter for stereo digital audio systems. It performs sampling, analog-to-digital conversion and anti-alias filtering, generating 24 bit values for both left and right inputs in serial form.

**DAC (Digital to Analog Converter : QD01, QD02, QD03 : QD41, QD42 / AD1855)**

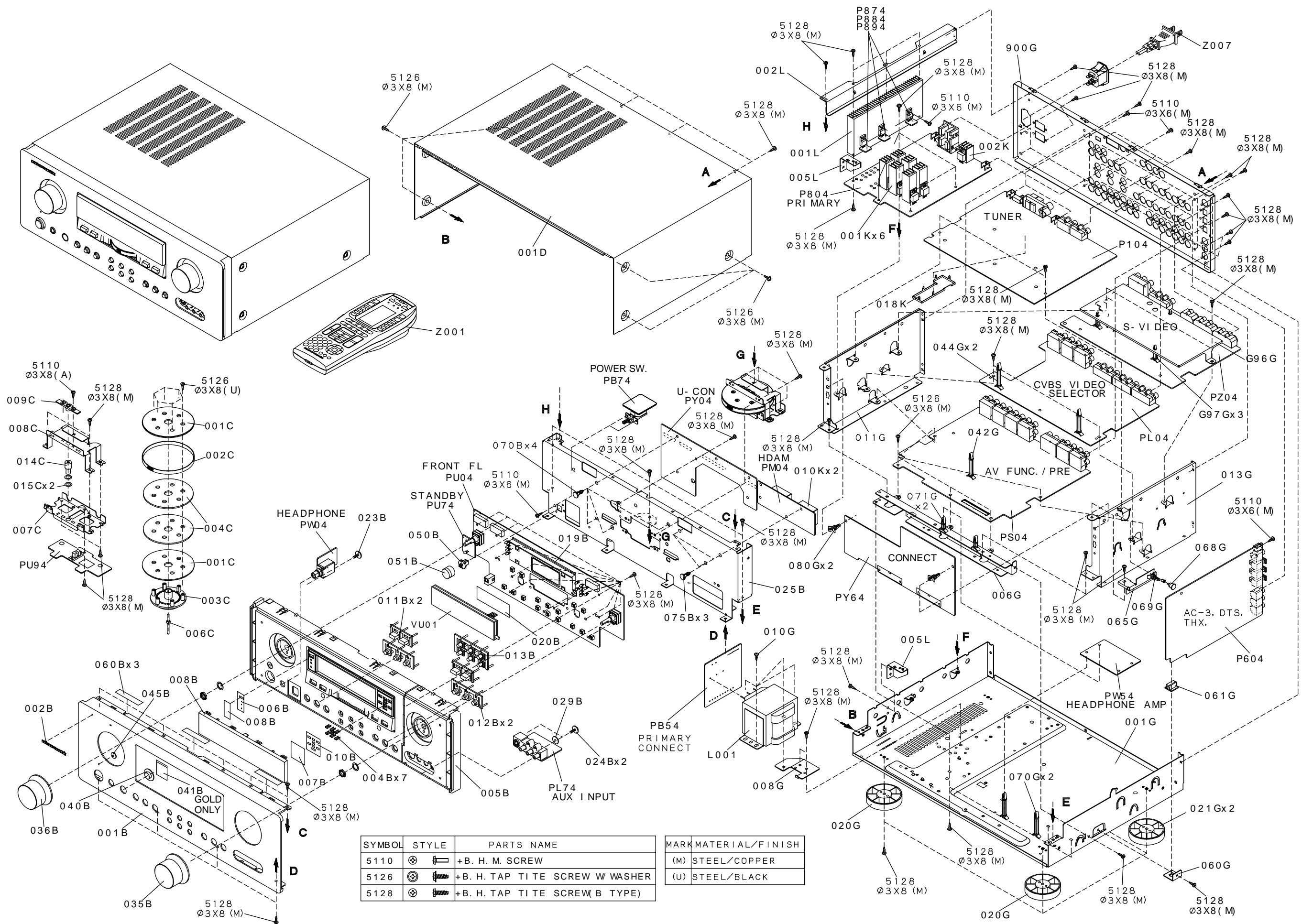
The AD1855 is a high performance, single-chip stereo, audio DAC. There are five AD1855 chips on the board. Four chips are used for L, R, C, and Sub woofer channel individually. Another chip is used for Surround Left & Right.

**CPU (Q691 /  $\mu$ PD78018)**

This chip controls some ICs in P604 and communicates with QU01.

Connect to QU01 with serial interface lines.

# 10. EXPLODED VIEW AND PARTS LIST



SYMBOL	STYLE	PARTS NAME	MARK	MATERIAL/FINISH
	⊗	+B. H. M. SCREW	(M)	STEEL/COPPER
	⊗	+B. H. TAP TITE SCREW W WASHER	(U)	STEEL/BLACK
	⊗	+B. H. TAP TITE SCREW (B TYPE)		



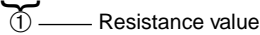
POS. NO	VERS. COLOR	PART NO. (FOR PCS)	DESCRIPTION	PART NO. (MJI)	POS. NO	VERS. COLOR	PART NO. (FOR PCS)	DESCRIPTION	PART NO. (MJI)
001B	GOLD	9965 000 01384	FRONT PANEL ALMI GOLD K	312J248110				<b>PACKING</b>	
001B	BLACK		FRONT PANEL ALMI BLACK U	312J248010	001T	/K,/S		USER MANUAL	312J851350
002B		4822 459 11172	BADGE MARANTZ	185J251010	001T	/N	9965 000 01400	USER MANUAL	312J851310
004B		9965 000 01385	REFLECTOR LED	312J274010	001T	/U		USER MANUAL	312J851250
005B	GOLD	9965 000 01386	CHASSIS FRONT MOLD	312J105110					
005B	BLACK		CHASSIS FRONT MOLD	312J105010	Z001			REMOTE COMMANDER	ZK300J0010
006B			MASK WINDOW L	312J303040				RC-18SR	
007B			MASK WINDOW R	312J303050	▲ Z007	/K		MAINS CORD CCEE 2.5A 250V	ZC01803090
008B	GOLD	9965 000 01387	WINDOW	312J158010	▲ Z007	/N,/S	4822 321 11439	MAINS CORD	ZC01803080
008B	BLACK		WINDOW	312J158010				2P 10A 250V CLASS2	
009B			MASK DTS	312J303010	▲ Z007	/U		MAINS CORD	ZC01803100
010B			MASK L R C LFE LS S RS PEAK	312J303020	▲ Z009	/N,/S	9965 000 01383	UL CSA 10A 125V	
								MAINS CORD	ZC01804070
								10A 250V HONG KONG	
011B	GOLD	9965 000 01388	BUTTON MEMO PRESET	312J270110					
011B	BLACK		BUTTON MEMO PRESET	312J270010					
012B	GOLD	9965 000 01389	BUTTON SURROUND GOLD	312J270120					
012B	BLACK		BUTTON SURROUND BLACK	312J270020					
013B	GOLD	9965 000 01390	BUTTON MODE TONE GOLD	312J270130					
013B	BLACK		BUTTON MODE TONE BLACK	312J270030					
019B		4822 256 92097	HOLDER FL HOLDER	183J271020					
020B		4822 459 11158	STICKER ADHESIVE FOR FL	056J122010					
035B	GOLD	9965 000 01391	KNOB MANI VOL KNOB GOLD	312J154020					
035B	BLACK		KNOB MAIN VOL KNOB BLACK	312J154010					
036B	GOLD	9965 000 01391	KNOB INPUT SELECTOR	312J154020					
036B	BLACK		KNOB INPUT SELECTOR	312J154010					
040B	GOLD	9965 000 01392	LENS IR LENS GOLD	275W355110					
040B	BLACK		LENS IR LENS BLACK	275W355010					
045B		9965 000 01393	LENS STANDBY LENS	312J355010					
050B		9965 000 01394	JOINT POWER JOINT	312J125010					
051B	GOLD	9965 000 01395	BUTTON POWER SW GOLD	255W270110					
051B	BLACK		BUTTON POWER SW BLACK	255W270010					
001C	GOLD	4822 410 11676	ESCUTCHEON	290J063110					
			GYRO UP & DOWN						
001C	BLACK	4822 410 11675	ESCUTCHEON	290J063010					
			GYRO UP & DOWN						
002C	GOLD	9965 000 01396	RUBBER RING GYRO GL	290J066110					
002C	BLACK		RUBBER RING GYRO BL	290J066010					
003C		9965 000 01397	FLYWHEEL GYRO BASE	290J273110					
006C		9965 000 01398	SHAFT GYRO MAIN	290J112010					
009C			RETAINER GYRO UPPER	290J104050					
014C			SHAFT	300J112020					
			GYRO SUSTAINER UNDER						
015C			WASHER FOR UNDER SIDE	59071102G0				<b>NOT STANDARD SPARE PARTS</b>	
020G		4822 462 42045	LEG GLD HOT STAMP FRONT	183J057010	001S	/U		PACKING CASE	312J801010
021G		4822 462 42048	LEG GLD HOT STAMP REAR	183J057110	002S	/U		CUSHION LEFT	312J809010
					003S	/U		CUSHION RIGHT	312J809020
CV09		4822 124 90353	ELECT. 100µF M 10V	OA10701020	Z003	/K,/N,/S		FM ANTENNA 931222R	ZA02800020
▲ L001	/K		POWER TRANSF. 220V 50Hz	TS16675020	Z003	/U	4822 303 30314	FM EXT.ANTENNA	ZA02000070
▲ L001	/N,/S	9965 000 01314	POWER TRANSF. 230V 50Hz	TS16675030	Z004		4822 157 63083	LOOP ANTENNA LA-700HB	LA00055010
▲ L001	/U		POWER TRANSF. 120V 60Hz	TS16675010	Z005	/U	4822 264 30265	PLUG ANT. ADAPTOR	YP90000310
L004		4822 526 10691	FERRITE CORE TFCK-16-8-13	FC50160030	Z006	/K	4822 265 10092	JACK AC ADAPTER S-I6116	YJ04001240
L005		4822 526 10691	FERRITE CORE TFCK-16-8-13	FC50160030	Z008		4822 321 21438	CONNECTIVE CORD	ZD01000330
L006		4822 526 10691	FERRITE CORE TFCK-16-8-13	FC50160030				RCA ST 1M	

# 11. ELECTRICAL PARTS LIST

## ASSIGNMENT OF COMMON PARTS CODES.

### RESISTORS

- R\*\*\*: 1) GD05xxx140, Carbon film fixed resistor, ±5% 1/4W
- R\*\*\*: 2) GD05xxx160, Carbon film fixed resistor, ±5% 1/6W



Examples ;

- ① Resistance value
- 0.1 Ω .... 001    10 Ω .... 100    1 kΩ .... 102    100 kΩ .... 104
- 0.5 Ω .... 005    18 Ω .... 180    2.7 kΩ .... 272    680 kΩ .... 684
- 1 Ω .... 010    100 Ω .... 101    10 kΩ .... 103    1 MΩ .... 105
- 6.8 Ω .... 068    390 Ω .... 391    22 kΩ .... 223    4.7 MΩ .... 475

Note : Please distinguish 1/4W from 1/6W by the shape of parts used actually.

### CAPACITORS

C\*\*\*: CERAMIC CAP.

- 3) DD1xxx370, Ceramic capacitor
  - Disc type
  - Temp.coeff.P350 ~N1000, 50V
- 

Examples ;

- ② Tolerance (Capacity deviation)
- ±0.25 pF .... 0
- ±0.5 pF .... 1
- ±5% .... 5

\* Tolerance of COMMON PARTS handled here are as follows :

- 0.5 pF ~ 5 pF .... ±0.25 pF
- 6 pF ~ 10 pF .... ±0.5 pF
- 12 pF ~ 560 pF .... ±5%

③ Capacity value

- 0.5 pF .... 005    3 pF .... 030    100 pF .... 101
- 1 pF .... 010    10 pF .... 100    220 pF .... 221
- 1.5 pF .... 015    47 pF .... 470    560 pF .... 561

C\*\*\*: CERAMIC CAP.

- 4) DK16xxx300, High dielectric constant ceramic capacitor
  - Disc type
  - Temp.chara. 2B4, 50V
- 

Examples ;

- ④ Capacity value
- 100 pF .... 101    1000 pF .... 102    10000 pF .... 103
- 470 pF .... 471    2200 pF .... 222

C\*\*\*: 5) ELECTROLY CAP. ( ), 6) FILM CAP. ( )

- 5) EAxxx10, Electrolytic capacitor
  - One-way lead type, Tolerance ±20%
- 

Examples ;

- ⑤ Capacity value
- 0.1 μF .... 104    4.7 μF .... 475    100 μF .... 107
- 0.33 μF .... 334    10 μF .... 106    330 μF .... 337
- 1 μF .... 105    22 μF .... 226    1100 μF .... 118
- 2200 μF .... 228
- ⑥ Working voltage
- 6.3V .... 006    25V .... 025
- 10V .... 010    35V .... 035
- 16V .... 016    50V .... 050

- 6) DF15xxx350 → Plastic film capacitor
  - DF15xxx310 → One-way type, Mylar ±5% 50V
  - DF16xxx310 → Plastic film capacitor
  - One-way type, Mylar ±10% 50V
- 

Examples ;

- ⑦ Capacity value
- 0.001 μF (1000 pF) ..... 102    0.1 μF .... 104
- 0.0018 μF ..... 182    0.56 μF .... 564
- 0.01 μF ..... 103    1 μF .... 105
- 0.015 μF ..... 153

- NOTE** : 1) The above CODES ( R\*\*\*, R\*\*\*, C\*\*\*, C\*\*\* and C\*\*\* ) are omitted on the schematic diagram in some case.
- 2) On the occasion, be confirmed the common parts on the parts list.
- 3) Refer to "Common Parts List" for the other common parts (RI05, DD4, DK4).

## NOTE ON SAFETY FOR FUSIBLE RESISTOR :

The suppliers and their type numbers of fusible resistors are as follows;

1. KOA Corporation

- |                |                |             |
|----------------|----------------|-------------|
| Part No. (MJI) | Type No. (KOA) | Description |
| NH05xxx140     | RF25SxxxxΩJ    | (±5% 1/4W)  |
| NH05xxx120     | RF50SxxxxΩJ    | (±5% 1/2W)  |
| NH85xxx110     | RF73B2AxxxxΩJ  | (±5% 1/10W) |
| NH95xxx140     | RF73B2ExxxxΩJ  | (±5% 1/4W)  |

\* Resistance value    \* Resistance value (0.1 Ω - 10 kΩ)

2. Matsushita Electronic Components Co., Ltd

- |                |                |             |
|----------------|----------------|-------------|
| Part No. (MJI) | Type No. (MEC) | Description |
| NF05xxx140     | ERD-2FCJxxx    | (±5% 1/4W)  |
| RF05xxx140     |                |             |
| NF02xxx140     | ERD-2FCGxxx    | (±2% 1/4W)  |
| RF02xxx140     |                |             |

\* Resistance value    \* Resistance value

Examples ;

- \* Resistance value
- 0.1 Ω .... 001    10 Ω .... 100    1 kΩ .... 102    100 kΩ .... 104
- 0.5 Ω .... 005    18 Ω .... 180    2.7 kΩ .... 272    680 kΩ .... 684
- 1 Ω .... 010    100 Ω .... 101    10 kΩ .... 103    1 MΩ .... 105
- 6.8 Ω .... 068    390 Ω .... 391    22 kΩ .... 223    4.7 MΩ .... 475

### ABBREVIATION AND MARKS

ANT. : ANTENNA	BATT. : BATTERY
CAP. : CAPACITOR	CER. : CERAMIC
CONN. : CONNECTING	DIG. : DIGITAL
HP : HEADPHONE	MIC. : MICROPHONE
μ-PRO : MICROPROCESSOR	REC. : RECORDING
RES. : RESISTOR	SPK : SPEAKER
SW : SWITCH	TRANSF. : TRANSFORMER
TRIM. : TRIMMING	TRS. : TRANSISTOR
VAR. : VARIABLE	X'TAL : CRYSTAL

## NOTE ON SAFETY :

Symbol Fire or electrical shock hazard. Only original parts should be used to replaced any part marked with symbol . Any other component substitution (other than original type), may increase risk of fire or electrical shock hazard.

## 安全上の注意 :

がついている部品は、安全上重要な部品です。必ず指定されている部品番号の部品を使用して下さい。

POS. NO	VERS. COLOR	PART NO. (FOR PCS)	DESCRIPTION	PART NO. (MJJ)	POS. NO	VERS. COLOR	PART NO. (FOR PCS)	DESCRIPTION	PART NO. (MJJ)
			<b>P104-FM AM TUNER TONE VOL CIRCUIT BOARD P104-CAPACITORS</b>						
CA01		4822 125 50384	TRIM. 20pF VCT51E	CT12000200	CF21		4822 124 22571	ELECT. 10µF 50V	OA10605020
CA02		4822 122 40306	CER. 0.047µF +80%-20% 50V	DK18473310	CF22		4822 124 22571	ELECT. 10µF 50V	OA10605020
CA03		4822 122 31823	CER. 15pF 5% CH 50V BLK	DD15150300	CF31		4822 124 22571	ELECT. 10µF 50V	OA10605020
CA04		4822 121 42466	FILM 390pF 100V ECO-P	DF15391550	CF32		4822 124 22571	ELECT. 10µF 50V	OA10605020
CA05		4822 122 31205	CER. 47pF 5% CH 50V BLK	DD15470300	CF33		4822 124 90354	ELECT. 100µF 16V	OA10701620
CA06		4822 122 30043	CER. 0.01µF +80%-20% 50V	DK18103310	CF34		4822 124 90354	ELECT. 100µF 16V	OA10701620
CA07	/N	4822 122 30043	CER. 0.01µF +80%-20% 50V	DK18103310	CF35		4822 122 30043	CER. 0.01µF +80%-20% 50V	DK18103310
CA08	/N	4822 125 50384	TRIM. 20pF VCT51E	CT12000200	CF36		4822 122 30043	CER. 0.01µF +80%-20% 50V	DK18103310
CA09	/N	4822 122 31823	CER. 15pF 5% CH 50 V	DD15150300	CF37		4822 124 90354	ELECT. 100µF 16V	OA10701620
CA11	/N	4822 122 31349	CER. 68pF 5% CH 50V	DD15680300	CF38		4822 124 90354	ELECT. 100µF 16V	OA10701620
CA12	/N	4822 122 10367	CER. 150pF 5% 50V	DD15151300	CF39		4822 122 30043	CER. 0.01µF +80%-20% 50V	DK18103310
CA13	/N	4822 122 30043	CER. 0.01µF +80%-20% 50V	DK18103310	CF40		4822 122 30043	CER. 0.01µF +80%-20% 50V	DK18103310
CA14	/N	4822 122 30043	CER. 0.01µF +80%-20% 50V	DK18103310					
CA18		4822 124 22274	ELECT. 4.7µF M 50V RA-2	OA47505020	CG51		4822 124 22571	ELECT. 10µF M 50V RA-2	OA10605020
CC07		4822 124 22571	ELECT. 10µF 50V	OA10605020	CG52		4822 124 22571	ELECT. 10µF M 50V RA-2	OA10605020
CC08		4822 124 22571	ELECT. 10µF 50V	OA10605020	CG53				
CC18		4822 124 22571	ELECT. 10µF M 50V RA-2	OA10605020	CG56				
CC23					CG57		4822 122 40617	CER. 0.1µF +80%-20% 50V DC	DD38104010
CC26		4822 124 22571	ELECT. 10µF M 50V RA-2	OA10605020	CG59		4822 124 90354	ELECT. 100µF 16V	OA10701620
CC27	/S,/N	4822 122 31205	CER. 47pF 5% CG 50V BLK	DD15470300	CG60		4822 124 90354	ELECT. 100µF 16V	OA10701620
CC28	/S,/N	4822 122 31205	CER. 47pF 5% CH 50V BLK	DD15470300	CG61		4822 122 40617	CER. 0.1µF +80%-20% 50V DC	DD38104010
CC31		4822 124 90354	ELECT. 100µF M 16V RA-2	OA10701620	CG62		4822 122 40617	CER. 0.1µF +80%-20% 50V DC	DD38104010
CC32		4822 124 90354	ELECT. 100µF M 16V RA-2	OA10701620	CG63				
CC33		4822 122 40617	CER. 0.1µF +80%-20% 50V DC	DD38104010	CG66		4822 124 22571	ELECT. 10µF M 50V RA-2	OA10605020
CC34		4822 122 40617	CER. 0.1µF +80%-20% 50V DC	DD38104010	CG67		4822 122 40617	CER. 0.1µF +80%-20% 50V DC	DD38104010
CC35		4822 122 30043	CER. 0.01µF +80%-20% 50V	DK18103310	CG68		4822 122 40617	CER. 0.1µF +80%-20% 50V DC	DD38104010
CC36		4822 122 30043	CER. 0.01µF +80%-20% 50V	DK18103310	CG69		4822 124 90354	ELECT. 100µF M 16V	OA10701620
CC39					CG70		4822 124 90354	ELECT. 100µF M 16V RA-2	OA10701620
CC42		4822 122 30043	CER. 0.01µF +80%-20% 50V	DK18103310	CV01		4822 122 40617	CER. 0.1µF +80%-20% 50V DC	DD38104010
CC43					CV02		4822 122 40617	CER. 0.1µF +80%-20% 50V DC	DD38104010
CC44			JUMPER	75060501P0	CV08		4822 124 90353	ELECT. 100µF M 10V	OA10701020
CC47		4822 122 30043	CER. 0.01µF +80%-20% 50V	DK18103310	C201		4822 122 30043	CER. 0.01µF +80%-20% 50V	DK18103310
CC48		4822 122 30043	CER. 0.01µF +80%-20% 50V	DK18103310	C202		4822 122 30043	CER. 0.01µF +80%-20% 50V	DK18103310
CC51		4822 124 22571	ELECT. 10µF M 50V RA-2	OA10605020	C203		4822 122 40306	CER. 0.047µF +80%-20% 50V	DK18473310
CC52		4822 124 22571	ELECT. 10µF M 50V RA-2	OA10605020	C204		4822 122 40306	CER. 0.047µF +80%-20% 50V	DK18473310
CC55		4822 122 31237	CER. 82pF 5% 50V	DD15820300	C205		4822 124 42182	ELECT. 3.3µF M 50V RA-2	OA33505020
CC56		4822 122 31237	CER. 82pF 5% 50V	DD15820300	C206		4822 124 22571	ELECT. 10µF M 50V RA-2	OA10605020
CC57		4822 124 22571	ELECT. 10µF M 50V RA-2	OA10605020	C207		4822 124 90353	ELECT. 100µF M 10V RA-2	OA10701020
CC58		4822 124 22571	ELECT. 10µF M 50V RA-2	OA10605020	C208		4822 122 40306	CER. 0.047µF +80%-20% 50V	DK18473310
CC59		4822 124 90354	ELECT. 100µF 16V	OA10701620	C209		4822 124 22571	ELECT. 10µF M 50V RA-2	OA10605020
CC60		4822 124 90354	ELECT. 100µF 16V	OA10701620	C210		4822 122 30043	CER. 0.01µF +80%-20% 50V	DK18103310
CC61		4822 122 30043	CER. 0.01µF +80%-20% 50V	DK18103310	C211		4822 124 90357	ELECT. 2.2µF M 50V RA-2	OA22505020
CC62		4822 122 30043	CER. 0.01µF +80%-20% 50V	DK18103310	C212		4822 124 41543	ELECT. 1µF M 50V RA-2	OA10505020
CC71		4822 124 22571	ELECT. 10µF M 50V RA-2	OA10605020	C213		4822 124 22273	ELECT. 0.47µF M 50V RA-2	OA47405020
CC72		4822 124 22571	ELECT. 10µF M 50V RA-2	OA10605020	C214		4822 124 41539	ELECT. 47µF M 16V RA-2	OA47601620
CC77		4822 124 90358	ELECT. 22µF M 16V	OA22601620	C215		4822 122 40306	CER. 0.047µF +80%-20% 50V	DK18473310
CC78		4822 124 90358	ELECT. 22µF M 16V	OA22601620	C216		4822 124 90354	ELECT. 100µF M 16V RA-2	OA10701620
CC79		4822 124 90354	ELECT. 100µF M 16V RA-2	OA10701620	C218		4822 122 30043	CER. 0.01µF +80%-20% 50V	DK18103310
CC80		4822 122 30043	CER. 10pF D CH 50	DK18103310	C219		4822 124 22571	ELECT. 10µF M 50V RA-2	OA10605020
CC81		4822 124 90354	ELECT. 100µF M 16V RA-2	OA10701620	C223		4822 122 40586	CER. 10000pF 10%	DA17103110
CC82		4822 122 30043	CER. 0.01µF +80%-20% 50V	DK18103310	C225		4822 122 30043	CER. 0.01µF +80%-20% 50V	DK18103310
CF01		4822 124 90358	ELECT. 22µF M 16V	OA22601620	C226		4822 122 40586	CER. 10000pF 10%	DA17103110
CF02		4822 124 90358	ELECT. 22µF M 16V	OA22601620	C233		4822 122 30043	CER. 0.01µF +80%-20% 50V	DK18103310
CF03		4822 122 31237	CER. 82pF 5% 50V	DD15820300	C234		4822 124 22274	ELECT. 4.7µF M 50V RA-2	OA47505020
CF04		4822 122 31237	CER. 82pF 5% 50V	DD15820300	C235		4822 122 30043	CER. 0.01µF +80%-20% 50V	DK18103310
CF05		4822 124 22571	ELECT. 10µF 50V	OA10605020	C236		4822 122 30043	CER. 0.01µF +80%-20% 50V	DK18103310
CF06		4822 124 22571	ELECT. 10µF 50V	OA10605020	C237		4822 122 30043	CER. 0.01µF +80%-20% 50V	DK18103310
CF15		4822 124 22571	ELECT. 10µF 50V	OA10605020	C303		4822 124 22571	ELECT. 10µF M 50V RA-2	OA10605020
CF16		4822 124 22571	ELECT. 10µF 50V	OA10605020	C304		4822 124 22571	ELECT. 10µF M 50V RA-2	OA10605020
CF17		4822 124 90358	ELECT. 22µF M 16V	OA22601620	C305	/K,/N,/S /U	4822 124 22274	ELECT. 4.7µF M 50V RA-2	OA47505020
CF18		4822 124 90358	ELECT. 22µF M 16V	OA22601620	C306	/K,/N,/S /U	4822 124 22274	JUMPER	75060501P0
CF19		4822 126 10364	CER. 100pF 10%	DA16101110	C306			ELECT. 4.7µF M 50V RA-2	OA47505020
CF20		4822 126 10364	CER. 100pF 10%	DA16101110	C311		4822 124 22274	ELECT. 4.7µF M 50V RA-2	OA47505020
					C312		4822 124 22274	ELECT. 4.7µF M 50V RA-2	OA47505020

POS. NO	VERS. COLOR	PART NO. (FOR PCS)	DESCRIPTION	PART NO. (MUJ)
C313	/K,/N,/S	4822 124 41539	ELECT. 47µF M 16V RA-2	OA47601620
C314	/K,/N,/S	4822 124 41539	ELECT. 47µF M 16V RA-2	OA47601620
C315	/K,/N,/S	4822 122 30043	CER. 0.01µF +80%-20% 50V	DK18103310
C316	/K,/N,/S	4822 122 30043	CER. 0.01µF +80%-20% 50V	DK18103310
C351	/S,/N	4822 122 40586	CER. 10000p ±10%	DA17103110
C352	/S,/N	4822 124 22571	ELECT. 10µF M 50V RA-2	OA10605020
C356	/S,/N	4822 126 11553	CER. 15pF ±5% 50V	DA15150120
C357	/S,/N	4822 126 11553	CER. 15pF ±5% 50V	DA15150120
C358	/S,/N	4822 124 22571	ELECT. 10µF M 50V RA-2	OA10605020
C361	/S,/N	4822 126 10364	CER. 100pF ±10%	DA16101110
C362	/S,/N	4822 126 10364	CER. 100pF ±10%	DA16101110
C363	/S,/N	4822 126 10364	CER. 100pF ±10%	DA16101110
C364	/S,/N	4822 126 10364	CER. 100pF ±10%	DA16101110
C365	/S,/N	4822 124 41539	ELECT. 47µF M 16V	OA47601620
C366	/S,/N	4822 124 41543	ELECT. 1µF M 50V RA-2	OA10505020
C373	/S,/N	4822 122 30043	CER. 10000p +80%-20%	DK18103310
C374	/S,/N	4822 122 40617	CER. 0.1µF +80%-20% 50V	DD38104010
C501		4822 122 31205	CER. 47pF ±5% CH 50V BLK	DD15470300
C502		4822 122 31205	CER. 47pF ±5% CH 50V BLK	DD15470300
C503		4822 124 90353	ELECT. 100µF M 10V RA-2	OA10701020
C504		4822 122 30043	CER. 0.01µF +80%-20% 50V	DK18103310
C505		4822 124 90357	ELECT. 2.2µF M 50V RA-2	OA22505020
C507		4822 122 30043	CER. 0.01µF +80%-20% 50V	DK18103310
C508		4822 124 90354	ELECT. 100µF M 16V RA-2	OA10701620
C511		4822 122 30043	CER. 0.01µF +80%-20% 50V	DK18103310
<b>C***</b>			<b>P104-CAPACITORS (COMMON)</b> HIGH DIELECTRIC CONSTANT CER. CAPACITOR ±10% 50V : C220 C222 C227/[U] (C317 C318/[K,/N,/S]) (C353 C354/[N,/S]) C367 C368 C371 C372 C510 CC83 (CC89-CC92/[N,/S]) CV03 CV05-CV07	
<b>C***</b>			PLASTIC FILM CAPACITOR ±5% 50V : C217 C301 C302 (C309 C310[K1]) CC01-CC04 CC14-CC17 CC75 CC76 CF07-CF14 CF23-CF30	
RA11		4822 100 11351	TRIM. 10kΩ RH0638CJ4R	RA01030780
RC01			JUMPER	75060501P0
RC02			JUMPER	75060501P0
RC16			JUMPER	75060501P0
RC19			JUMPER	75060501P0
RC51			JUMPER	75060501P0
RC52			JUMPER	75060501P0
RF37			JUMPER	75060501P0
RF38			JUMPER	75060501P0
RG55			JUMPER	75060501P0
RG56			JUMPER	75060501P0
RG59			JUMPER	75060501P0
RG60			JUMPER	75060501P0
▲ R101	/U	4822 050 21003	10kΩ ±5% 1/2W	GG05103120
R201	/U		JUMPER	75060501P0
▲ R207		4822 050 21801	180Ω ±5% 1/4W	GG05181140
R211	/K	4822 100 11352	TRIM. 22kΩ RH0638CJ4R	RA02230780
R211	/S	4822 100 11352	TRIM. 22kΩ RH0638CJ4R	RA02230780
R211	/N	4822 100 11352	TRIM. 22kΩ RH0638CJ4R	RA02230780
R211	/U	4822 100 11351	TRIM. 10kΩ RH0638CS3R	RA01030780
R212		4822 100 11351	TRIM. 10kΩ RH0638CS3R	RA01030780
▲ R217		4822 050 21801	180Ω ±5% 1/4W	GG05181140
R301			JUMPER	75060501P0
∫	/U			
R304				

POS. NO	VERS. COLOR	PART NO. (FOR PCS)	DESCRIPTION	PART NO. (MUJ)
▲ R313	/K	4822 116 83929	220Ω ±5% 1/4W	GG05221140
▲ R314	/K,/N,/S	4822 116 83929	220Ω ±5% 1/4W	GG05221140
R356	/S,/N	4822 053 10471	470Ω ±5% 1W	GA05471010
▲ R512		4822 053 10271	270Ω ±5% 1W	GA05271010
R516		4822 130 32362	DIODE 1SS176 MA165 1SS254 30V 0.1A	HD20002000
<b>R***</b>			<b>P104-RESISTORS (COMMON)</b> CARBON FILM FIXED RES. ±5% 1/6W : R201/[K,/N,/S] R202-R206 R208-R210 R213-R216 R220 R221/[N,/S] (R301-304/[K,/N,/S]) R307-R310 R315 R316 (R352-354/[K,/N,/S]) R502 R504-R507 R508/[K/U] R509-R511 R513 R515 RA01 RA02 (RA03 RA04 RA06 RA06- RA10/[N]) RC03-RC15 RC17 RC18 RC20-RC33 RC33 RC35-RC42 RC53-RC62 RC71-RC82 RF01-RF36 RF39-RF46 RF48 RF49 RG51-RG54 RV01-RV14	
DA01		4822 125 50416	DIODE VARISVC342-L	HD40009030
DA02	/K,/S,/U		JUMPER	75060501P0
DA02	/N	4822 130 33697	DIODE 1SS135	HD20017210
DA03	/N	4822 125 50416	DIODE VARISVC342-L	HD40009030
DA04	/N	4822 130 33697	DIODE 1SS135	HD20017210
DA05		4822 130 32362	DIODE 1SS176 MA165 1SS254 30V 0.1A	HD20002000
DA06		4822 130 32362	DIODE 1SS176 MA165 1SS254 30V 0.1A	HD20002000
DF01		4822 130 32362	DIODE 1SS176 MA165 1SS254 30V 0.1A	HD20002000
DF02		4822 130 32362	DIODE 1SS176 MA165 1SS254 30V 0.1A	HD20002000
DF03		9965 000 01363	DIODE 1SS201	HE10201050
DF04		9965 000 01363	DIODE 1SS201	HE10201050
DV05				
∫				
DV13		4822 130 32362	DIODE 1SS176 MA165 1SS254 30V 0.1A	HD20002000
D201		4822 130 32362	DIODE 1SS176 MA165 1SS254 30V 0.1A	HD20002000
D202		4822 130 80319	ZENER DIODE 9.1V	HD30911000
D351	/S,/N	4822 130 80317	RD9.1JB2 MTZJ9.1C 04AZ9.1-Z ZENER DIODE 5.1V	HD30511000
D501		4822 130 80317	RD5.1JB2 MTZJ5.1B 04AZ5.1-Y ZENER DIODE 5.1V	HD30511000
D502	/N	4822 130 32362	DIODE 1SS176 MA165 1SS254 30V 0.1A	HD20002000
D503	/N	4822 130 32362	DIODE 1SS176 MA165 1SS254 30V 0.1A	HD20002000
QA01	/N	4822 130 41947	TRS. 2SC536SP 2SC2458 2SC1740S 2SC3199 2SC3311A	HT30001000
QA02	/N	4822 130 41947	TRS. 2SC536SP 2SC2458 2SC1740S 2SC3199 2SC3311A	HT30001000
QA03	/N	4822 130 61892	TRS. 2SD2144	HT421442A0
QA04	/N	4822 130 42682	DIG. TRS.	BA10002000
QA05	/N	4822 130 42682	DTA144ES UN4113 47k 47k DIG. TRS.	BA10002000
QA06	/N	4822 130 60588	DTA144ES UN4113 47k 47k DIG. TRS.	BA20001000
			DTC114ES UN4211 10K 10K	

POS. NO	VERS. COLOR	PART NO. (FOR PCS)	DESCRIPTION	PART NO. (MJI)	POS. NO	VERS. COLOR	PART NO. (FOR PCS)	DESCRIPTION	PART NO. (MJI)
QC01		4822 209 73064	IC NJM2068DD	HC10053090	L301		4822 157 71731	M.P.X. COIL 19 38kHz	LS10293020
QC05					L302		4822 157 71731	M.P.X. COIL 19 38kHz	LS10293020
QC06		4822 209 32554	IC LC78213	HC10310030	L350	/N,/S	4822 157 62911	CHOKO	LC13323800
QC07		4822 209 62784	IC TC9215P	HC10262050	L356			LAL02TA3R3J 3.3µH	
QC51		4822 209 73064	IC NJM2068DD	HC10053090	L359	/N,/S	4822 157 62911	CHOKO COIL	LC13323800
QC71		4822 209 73064	IC NJM-2068-DD	HC10053090				LAL02TA3R3J 3.3µH	
QC72		4822 209 62784	IC TC9215P ANALOGUE SW	HC10262050	L501				
QF01		4822 209 73064	IC NJM2068DD	HC10053090	L504		4822 157 70813	CHOKO COIL	LC14733800
QF02		9965 000 01365	IC TC9184AP ELE TONE	HC10444050				LAL02TA470J 47µH	
QF03		4822 209 73064	IC NJM2068DD	HC10053090					
QF04		9965 000 01365	IC TC9184AP ELE TONE	HC10444050	S301	/K	4822 277 21712	SLIDE SWITCH ALPS SSSS92	SS02021470
QG51		9965 0000 1373	IC TC9459F ELE-VOLUME	HC10449050	X351	/S	4822 242 10857	CRYSTAL 4.332MHz	JX04003260
QG52		9965 0000 1373	IC TC9459F ELE-VOLUME	HC10449050	X351	/N	4822 242 10857	CRYSTAL 4.332MHz	JX04003260
QG53		9965 0000 1373	IC TC9459F ELE-VOLUME	HC10449050	X501		4822 242 72333	CRYSTAL AD0618CTB 7.2MHz	JX07001260
QG54		4822 209 17155	IC NJM2068M	HC10102090					
QG55		4822 209 17155	IC NJM2068M	HC10102090					
QV01		4822 209 90532	IC NJU3713D	HC10161090					
QV02									
QV05		4822 130 61227	DIG.TRS.	BA10001000	CD01		4822 126 11687	CER. 0.1µF +80%-20%	DK98104200
QV06		4822 130 60588	DTA114ES UN4111 10K 10K DIG.TRS. DTC114ES UN4211 10K 10K	BA20001000	CD02		4822 126 11687	CER. 0.1µF +80%-20%	DK98104200
QV07					CD03		4822 126 11687	CER. 0.1µF +80%-20%	DK98104200
QV12		4822 130 43818	TRS. 2SC2878 A OR BRANK	HT328782A0	CD05		4822 124 90353	ELECT. 100µF M 10V RA-2	OA10701020
Q201		9965 000 01369	IC LA1837 FM AM IF MPX IC	HC10384030	CD06		4822 124 90353	ELECT. 100µF M 10V RA-2	OA10701020
Q202		4822 130 62294	TRS. 2SC1809S P 150mW	HT318091P0	CD07		4822 124 90353	ELECT. 100µF M 10V RA-2	OA10701020
Q203		4822 130 61227	DIG.TRS. DTA114ES UN4111 10K 10K	BA10001000	CD09		4822 124 21894	ELECT. 10µF 16V	EJ10601610
Q204		4822 130 42594	DIG.TRS. DTC114ES UN4213 47K 47K	BA20002000	CD10		4822 124 21894	ELECT. 10µF 16V	EJ10601610
Q209	/S	4822 130 41947	TRS. 2SC2458 2SC1740 2SC3199	HT30001000	CD11		4822 124 21894	ELECT. 10µF 16V	EJ10601610
Q209	/N	4822 130 41947	TRS. 2SC2458 2SC1740 2SC3199	HT30001000	CD13		4822 126 11687	CER. 0.1µF +80%-20% CHIP	DK98104200
Q301	/K	4822 209 83631	IC NJM4558D-D	HC10008090	CD14		4822 126 11687	CER. 0.1µF +80%-20% CHIP	DK98104200
Q301	/S	4822 209 83631	IC NJM4558D-D	HC10008090	CD15		4822 126 11687	CER. 0.1µF +80%-20% CHIP	DK98104200
Q301	/N	4822 209 83631	IC NJM4558D-D	HC10008090	CD17		4822 124 21894	ELECT. 10µF 16V	EJ10601610
Q351	/S	4822 209 16175	IC LC72720 RDS DECODER	HC10385030	CD18		4822 124 21894	ELECT. 10µF 16V	EJ10601610
Q351	/N	4822 209 16175	IC LC72720 RDS DECODER	HC10385030	CD19		4822 124 21894	ELECT. 10µF 16V	EJ10601610
Q352	/S	4822 130 61227	DIG.TRS. DTA114ES UN4111 10K 10K	BA10001000	CD21		4822 124 90353	ELECT. 100µF M 10V RA-2	OA10701020
Q352	/N	4822 130 61227	DIG.TRS. DTA114ES UN4111 10K 10K	BA10001000	CD22		4822 124 90353	ELECT. 100µF M 10V RA-2	OA10701020
Q353	/S	4822 130 60588	DIG.TRS. DTC114ES UN4211 10K 10K	BA20001000	CD23		4822 124 90353	ELECT. 100µF M 10V RA-2	OA10701020
Q353	/N	4822 130 60588	DIG.TRS. DTC114ES UN4211 10K 10K	BA20001000	CD25		4822 126 11687	CER. 0.1µF +80%-20% CHIP	DK98104200
Q501		9965 000 01370	IC LC72130	HC10394030	CD26		4822 126 11687	CER. 0.1µF +80%-20% CHIP	DK98104200
A101		9965 000 01368	<b>P104-MISCELLANEOUS</b> VHF TUNER TFFJ4E	AV00903010	CD27		4822 126 11687	CER. 0.1µF +80%-20% CHIP	DK98104200
FA01			CER. FILTER SFZ450JL3 451K	FF10045410	CD29		5322 126 11578	CER. 1000pF B 50V CHIP	DK96102300
F201		4822 242 70665	CER. FILTER SFE10.7MS3-A	FF11070620	CD30		5322 126 11578	CER. 1000pF B 50V CHIP	DK96102300
F202		4822 242 70665	CER. FILTER SFE10.7MS3-A	FF11070620	CD31		5322 126 11578	CER. 1000pF B 50V CHIP	DK96102300
JC05		9965 000 01315	TERMINAL RCA 2P DIRECT IN	YT02021550	CD41		4822 126 11687	CER. 0.1µF +80%-20% CHIP	DK98104200
JC06		9965 000 01316	TERMINAL RCA SURR IN L R	YT02021500	CD42		4822 126 11687	CER. 0.1µF +80%-20% CHIP	DK98104200
J101		4822 290 81632	TERMINAL FM AM ANT PAL	YT03030020	CD43		4822 124 90353	ELECT. 100µF M 10V RA-2	OA10701020
LA01		4822 157 63084	MW ANT COIL 280µH	LA10295170	CD44		4822 124 90353	ELECT. 100µF M 10V RA-2	OA10701020
LA02		4822 157 70779	MW OSC COIL	LO70013010	CD45		4822 124 21894	ELECT. 10µF 16V	EJ10601610
LA03	/N	4822 157 52714	LW-ANT COIL	LA10295160	CD46		4822 124 21894	ELECT. 10µF 16V	EJ10601610
LA04	/N	4822 157 70781	LW-OSC COIL	LO70013020	CD47		4822 126 11687	CER. 0.1µF +80%-20% CHIP	DK98104200
LA05		4822 157 53589	CHOKO COIL 39mH J	LC23960710	CD48		4822 126 11687	CER. 0.1µF +80%-20% CHIP	DK98104200
LA06		4822 148 81095	I.F.T. COIL AM IFT K7-H5	LI70033510	CD49		4822 124 21894	ELECT. 10µF 16V	EJ10601610
L201		4822 157 63904	I.F.T. COIL FM DET	LI70376010	CD50		4822 124 21894	ELECT. 10µF 16V	EJ10601610
					CD51		4822 124 90353	ELECT. 100µF M 10V RA-2	OA10701020
					CD52		4822 124 90353	ELECT. 100µF M 10V RA-2	OA10701020
					CD53		4822 126 11687	CER. 0.1µF +80%-20% CHIP	DK98104200
					CD54		4822 126 11687	CER. 0.1µF +80%-20% CHIP	DK98104200
					CD55		5322 126 11578	CER. 1000pF B 50V CHIP	DK96102300
					CD56		5322 126 11578	CER. 1000pF B 50V CHIP	DK96102300
					CD61		4822 124 90353	ELECT. 100µF M 10V RA-2	OA10701020
					CD62		4822 124 90353	ELECT. 100µF M 10V RA-2	OA10701020
					CD63				
					CD74		4822 126 11687	CER. 0.1µF +80%-20% CHIP	DK98104200
					CD81				
					CD92		4822 126 11703	CER. 0.01µF +80%-20% CHIP	DK98103300

POS. NO	VERS. COLOR	PART NO. (FOR PCS)	DESCRIPTION	PART NO. (MJ)	POS. NO	VERS. COLOR	PART NO. (FOR PCS)	DESCRIPTION	PART NO. (MJ)
CD93					CH82		4822 124 41535	ELECT. 100µF M 25V RA-2	OA10702520
CD96		4822 124 90363	ELECT. 220µF M 10V RA-2	OA22701020	CH83		4822 126 11687	CER. 0.1µF +80%-20% CHIP	DK98104200
CD97		4822 124 41535	ELECT. 100µF M 25V RA-2	OA10702520	CH84		4822 126 11687	CER. 0.1µF +80%-20% CHIP	DK98104200
CD98		4822 124 41535	ELECT. 100µF M 25V RA-2	OA10702520	CH85		4822 122 33761	CER. 22pF 5% CG50V CHIP	DD95220300
CE01		4822 126 11567	CER. 0.022µF 10% 16V CHIP	DK96223200	CH86		4822 122 33761	CER. 22pF 5% CG50V CHIP	DD95220300
CE02		4822 124 90353	ELECT. 100µF M 10V RA-2	OA10701020	CJ05				
CE03		4822 126 11687	CER. 0.1µF +80%-20% CHIP	DK98104200	CJ08		4822 121 10792	FILM 220pF 5% 100VPP	OF15221540
CE04		4822 124 90353	ELECT. 100µF M 10V RA-2	OA10701020	CJ11		4822 124 41539	ELECT. 47µF M 16V RA-2	OA47601620
CE05		4822 126 11687	CER. 0.1µF +80%-20% CHIP	DK98104200	CJ12		4822 124 41539	ELECT. 47µF M 16V RA-2	OA47601620
CE06		5322 126 11578	CER. 1000pF 10% B 50V CHIP	DK96102300	CJ13				
CE11		4822 126 11687	CER. 0.1µF +80%-20% CHIP	DK98104200	CJ16		4822 126 11687	CER. 0.1µF +80%-20% CHIP	DK98104200
CE13		4822 126 11687	CER. 0.1µF +80%-20% CHIP	DK98104200	CJ17		4822 122 33761	CER. 22pF 5% CG50V CHIP	DD95220300
CE14		4822 122 33753	CER. 150pF 5% CG 50V CHIP	DD95151300	CJ18		4822 122 33761	CER. 22pF 5% CG50V CHIP	DD95220300
CE15		4822 122 33753	CER. 150pF 5% CG 50V CHIP	DD95151300	CJ21		4822 124 41535	ELECT. 100µF M 25V RA-2	OA10702520
CE18		4822 126 13837	CER. 0.1µF 10% B 10V CHIP	DK96104200	CJ22		4822 124 41535	ELECT. 100µF M 25V RA-2	OA10702520
CE19		4822 126 14417	CER. 0.01µF 10% 50V CHIP	DK96103300	CJ23		4822 126 11687	CER. 0.1µF +80%-20% CHIP	DK98104200
CE33		4822 124 90353	ELECT. 100µF M 10V RA-2	OA10701020	CJ24		4822 126 11687	CER. 0.1µF +80%-20% CHIP	DK98104200
CE34		4822 126 11687	CER. 0.1µF +80%-20% CHIP	DK98104200	CJ55				
CE35		4822 124 90353	ELECT. 100µF M 10V RA-2	OA10701020	CJ58		4822 121 10792	FILM 220pF 5% 100VPP	OF15221540
CE36		4822 126 11687	CER. 0.1µF +80%-20% CHIP	DK98104200	CJ59		4822 126 11687	CER. 0.1µF +80%-20% CHIP	DK98104200
CE37		4822 126 11687	CER. 0.1µF +80%-20% CHIP	DK98104200	CJ60		4822 126 11687	CER. 0.1µF +80%-20% CHIP	DK98104200
CE39		4822 124 12389	ELECT. 47µF 16V BP	EQ47601630	CJ61		4822 122 33761	CER. 22pF 5% CG50V CHIP	DD95220300
CE42		4822 126 14417	CER. 0.01µF 10% 50V CHIP	DK96103300	CJ62		4822 122 33761	CER. 22pF 5% CG50V CHIP	DD95220300
CE43		4822 126 14417	CER. 0.01µF 10% 50V CHIP	DK96103300	CJ75				
CE44		4822 122 33752	CER. 18pF 50V 5% CHIP	DD95150300	CJ78		4822 121 10792	FILM 220pF 5% 100VPP	OF15221540
CE45		4822 126 11687	CER. 0.1µF +80%-20% CHIP	DK98104200	CJ79		4822 126 11687	CER. 0.1µF +80%-20% CHIP	DK98104200
CE46		4822 122 33757	CER. 18pF CHIP	DD95180300	CJ80		4822 126 11687	CER. 0.1µF +80%-20% CHIP	DK98104200
CE51		4822 126 11687	CER. 0.1µF +80%-20% CHIP	DK98104200	CJ81		4822 122 33761	CER. 22pF 5% CG50V CHIP	DD95220300
CE52		5322 126 11578	CER. 1000pF B 50V CHIP	DK96102300	CJ82		4822 122 33761	CER. 22pF 5% CG50V CHIP	DD95220300
CE53		4822 126 11687	CER. 0.1µF +80%-20% CHIP	DK98104200	CK01				
CE54		4822 126 11687	CER. 0.1µF +80%-20% CHIP	DK98104200	CK04		4822 124 90352	ELECT. 10µF M 16V RA-2	OA10601620
CE56					CK05				
CE60		4822 126 11687	CER. 0.1µF +80%-20% CHIP	DK98104200	CK08		4822 126 11696	CER. 470pF 5% J SL CHIP	DD95471370
CE61		4822 124 90353	ELECT. 100µF M 10V RA-2	OA10701020	CK11				
CE62		4822 124 90353	ELECT. 100µF M 10V RA-2	OA10701020	CK20		4822 126 11687	CER. 0.1µF +80%-20% CHIP	DK98104200
CE63		4822 126 11687	CER. 0.1µF +80%-20% CHIP	DK98104200	CK21		4822 124 90353	ELECT. 100µF M 10V RA-2	OA10701020
CE65		4822 126 11703	CER. 0.01µF +80%-20% CHIP	DK98103300	CK22		4822 124 21894	ELECT. 10µF 16V	EJ10601610
CE66		4822 126 11703	CER. 0.01µF +80%-20% CHIP	DK98103300	CK23		4822 126 11687	CER. 0.1µF +80%-20% CHIP	DK98104200
CH05					CK24		5322 126 11583	CER. 0.01µF 10% B 25V CHIP	DK96103200
CH08		4822 121 10792	FILM 220pF 5% 100VPP	OF15221540	CK25		4822 124 90353	ELECT. 100µF M 10V RA-2	OA10701020
CH14		4822 124 41539	ELECT. 47µF M 16V RA-2	OA47601620	CK26		4822 124 90353	ELECT. 100µF M 10V RA-2	OA10701020
CH15					CK27		4822 126 11687	CER. 0.1µF +80%-20% CHIP	DK98104200
CH18		4822 126 11687	CER. 0.1µF +80%-20% CHIP	DK98104200	CK28		4822 126 11687	CER. 0.1µF +80%-20% CHIP	DK98104200
CH26		4822 124 41539	ELECT. 47µF M 16V RA-2	OA47601620	CK30		4822 126 11687	CER. 0.1µF +80%-20% CHIP	DK98104200
CH27		4822 126 11687	CER. 0.1µF +80%-20% CHIP	DK98104200	CK31		4822 126 11687	CER. 0.1µF +80%-20% CHIP	DK98104200
CH28		4822 126 11687	CER. 0.1µF +80%-20% CHIP	DK98104200	CK33		4822 124 41535	ELECT. 100µF M 25V RA-2	OA10702520
CH31		4822 124 41535	ELECT. 100µF M 25V RA-2	OA10702520	CK34		4822 124 41535	ELECT. 100µF M 25V RA-2	OA10702520
CH32		4822 124 41535	ELECT. 100µF M 25V RA-2	OA10702520	CK35				
CH33		4822 126 11687	CER. 0.1µF +80%-20% CHIP	DK98104200	CK40		4822 126 11687	CER. 0.1µF +80%-20% CHIP	DK98104200
CH34		4822 126 11687	CER. 0.1µF +80%-20% CHIP	DK98104200	CK41		4822 124 21894	ELECT. 10µF 16V	EJ10601610
CH35		4822 122 33761	CER. 22pF 5% CG50V CHIP	DD95220300	CK42		4822 124 21894	ELECT. 10µF 16V	EJ10601610
CH36		4822 122 33761	CER. 22pF 5% CG50V CHIP	DD95220300	CK43		4822 124 41539	ELECT. 47µF M 16V RA-2	OA47601620
CH55					CK44		4822 124 41539	ELECT. 47µF M 16V RA-2	OA47601620
CH58		4822 121 10792	FILM 220pF 5% 100VPP	OF15221540	CK45		4822 122 33761	CER. 22pF 5% CG50V CHIP	DD95220300
CH64		4822 124 41539	ELECT. 47µF M 16V RA-2	OA47601620	CK46		4822 122 33761	CER. 22pF 5% CG50V CHIP	DD95220300
CH65					CR01		4822 126 11687	CER. 0.1µF +80%-20% CHIP	DK98104200
CH68		4822 126 11687	CER. 0.1µF +80%-20% CHIP	DK98104200	CR02		4822 124 90353	ELECT. 100µF M 10V RA-2	OA10701020
CH76		4822 124 41539	ELECT. 47µF M 16V RA-2	OA47601620	CR03		4822 126 11687	CER. 0.1µF +80%-20% CHIP	DK98104200
CH77		4822 126 11687	CER. 0.1µF +80%-20% CHIP	DK98104200	CR04		4822 124 90353	ELECT. 100µF M 10V RA-2	OA10701020
CH78		4822 126 11687	CER. 0.1µF +80%-20% CHIP	DK98104200					
CH81		4822 124 41535	ELECT. 100µF M 25V RA-2	OA10702520					

POS. NO	VERS. COLOR	PART NO. (FOR PCS)	DESCRIPTION	PART NO. (MJI)	POS. NO	VERS. COLOR	PART NO. (FOR PCS)	DESCRIPTION	PART NO. (MJI)
CR05		4822 126 11687	CER. 0.1μF +80%-20% CHIP	DK98104200	C693		4822 126 11687	CER. 0.1μF +80%-20% CHIP	DK98104200
CR06		4822 124 90353	ELECT. 100μF M 10V RA-2	OA10701020	C694		4822 124 90353	ELECT. 100μF M 10V RA-2	OA10701020
CR07		4822 126 13837	CER. 0.1μF ±10% B 10V CHIP	DK96104200	C695		4822 126 11687	CER. 0.1μF +80%-20% CHIP	DK98104200
CR08		4822 126 11687	CER. 0.1μF +80%-20% CHIP	DK98104200	C696		5322 126 11583	CER. 0.01μF ±10% B 25V CHIP	DK96103200
CR10		4822 126 11568	CER. 470pF CHIP	DK96471300	C697		5322 126 11583	CER. 0.01μF ±10% B 25V CHIP	DK96103200
CR11		4822 126 13837	CER. 0.1μF ±10% B 10V CHIP	DK96104200					
CR12		4822 126 13837	CER. 0.1μF ±10% B 10V CHIP	DK96104200					
CR13		4822 126 11687	CER. 0.1μF +80%-20% CHIP	DK98104200					
CR14		4822 126 11687	CER. 0.1μF +80%-20% CHIP	DK98104200					
CR15		4822 124 90353	ELECT. 100μF M 10V RA-2	OA10701020					
CR16		4822 126 11687	CER. 0.1μF +80%-20% CHIP	DK98104200					
CR17		4822 124 90353	ELECT. 100μF M 10V RA-2	OA10701020					
CR18		4822 126 11687	CER. 0.1μF +80%-20% CHIP	DK98104200					
CR20		5322 126 11583	CER. 0.01μF ±10% B 25V CHIP	DK96103200					
CR21		5322 126 11583	CER. 0.01μF ±10% B 25V CHIP	DK96103200					
CR22									
CR25		4822 126 11687	CER. 0.1μF +80%-20% CHIP	DK98104200	RD01		4822 051 30103	CHIP 10kΩ ±5% 1/16W	NN05103610
CR26		4822 126 11703	CER. 0.01μF +80%-20% CHIP	DK98103300	RD05		4822 051 30103	CHIP 10kΩ ±5% 1/16W	NN05103610
CR27		4822 126 11703	CER. 0.01μF +80%-20% CHIP	DK98103300	RD07		4822 051 30103	CHIP 10kΩ ±5% 1/16W	NN05103610
CR28		4822 124 90353	ELECT. 100μF M 10V RA-2	OA10701020	RD61				
CR29		4822 126 11687	CER. 0.1μF +80%-20% CHIP	DK98104200	RD61		4822 116 82487	CHIP 0Ω ±5% 1/16W	NN05000610
CR30		5322 126 11578	CER. 1000pF ±10% B 50V CHIP	DK96102300	RD66				
C601		4822 126 11703	CER. 0.01μF +80%-20% CHIP	DK98103300	RD92		4822 116 82487	CHIP 0Ω ±5% 1/16W	NN05000610
C602		4822 126 11703	CER. 0.01μF +80%-20% CHIP	DK98103300	RD94		4822 116 82487	CHIP 0Ω ±5% 1/16W	NN05000610
C603		4822 124 90353	ELECT. 100μF M 10V RA-2	OA10701020	RE01		4822 051 30561	CHIP 560Ω ±5% 1/16W	NN05561610
C604		4822 126 11703	CER. 0.01μF +80%-20% CHIP	DK98103300	RE02		4822 051 30101	CHIP 100Ω ±5% 1/16W	NN05101610
C605		4822 126 11703	CER. 0.01μF +80%-20% CHIP	DK98103300	RE03		4822 051 30102	CHIP 1kΩ ±5% 1/16W	NN05102610
C606		4822 124 90353	ELECT. 100μF M 10V RA-2	OA10701020	RE04		4822 116 83211	CHIP 1.8kΩ ±5% 1/16W	NN05182610
C607		4822 126 11687	CER. 0.1μF +80%-20% CHIP	DK98104200	RE05		4822 051 30103	CHIP 10kΩ ±5% 1/16W	NN05103610
C608		4822 122 33761	CER. 22pF ±5% CG 50V CHIP	DD95220300	RE06		4822 051 30103	CHIP 10kΩ ±5% 1/16W	NN05103610
C609		4822 122 33761	CER. 22pF ±5% CG 50V CHIP	DD95220300	RE07		4822 051 30472	CHIP 4.7kΩ ±5% 1/16W	NN05472610
C610		4822 126 11687	CER. 0.1μF +80%-20% CHIP	DK98104200	RE08		4822 116 82487	CHIP 0Ω ±5% 1/16W	NN05000610
C611		4822 124 90353	ELECT. 100μF M 10V RA-2	OA10701020	RE10		4822 051 30102	CHIP 1kΩ ±5% 1/16W	NN05102610
C612		4822 126 11568	CER. 470pF ±10% CHIP	DK96471300	RE11		4822 051 30472	CHIP 4.7kΩ ±5% 1/16W	NN05472610
C613		4822 126 11687	CER. 0.1μF +80%-20% CHIP	DK98104200	RE12		4822 051 30102	CHIP 1kΩ ±5% 1/16W	NN05102610
C614		4822 126 11687	CER. 0.1μF +80%-20% CHIP	DK98104200	RE13		4822 051 30151	CHIP 150Ω ±5% 1/16W	NN05151610
C615		4822 126 11687	CER. 0.1μF +80%-20% CHIP	DK98104200	RE14		4822 051 30222	CHIP 2.2kΩ ±5% 1/16W	NN05222610
C616		5322 126 11583	CER. 0.01μF ±10% B 25V CHIP	DK96103200	RE15				
C617		4822 126 11687	CER. 0.1μF +80%-20% CHIP	DK98104200	RE15		4822 051 30102	CHIP 1kΩ ±5% 1/16W	NN05102610
C618		4822 126 11687	CER. 0.1μF +80%-20% CHIP	DK98104200	RE18				
C619		4822 124 90353	ELECT. 100μF M 10V RA-2	OA10701020	RE19		4822 051 30103	CHIP 10kΩ ±5% 1/16W	NN05103610
C620		4822 124 90353	ELECT. 100μF M 10V RA-2	OA10701020	RE20		4822 051 30102	CHIP 1kΩ ±5% 1/16W	NN05102610
C621		4822 126 11687	CER. 0.1μF +80%-20% CHIP	DK98104200	RE21		4822 051 30102	CHIP 1kΩ ±5% 1/16W	NN05102610
C622		4822 124 90353	ELECT. 100μF M 10V RA-2	OA10701020	RE22		4822 051 30472	CHIP 4.7kΩ ±5% 1/16W	NN05472610
C623		4822 126 11687	CER. 0.1μF +80%-20% CHIP	DK98104200	RE23		4822 051 30102	CHIP 1kΩ ±5% 1/16W	NN05102610
C624		4822 126 11687	CER. 0.1μF +80%-20% CHIP	DK98104200	RE24		4822 051 30332	CHIP 3.3kΩ ±5% 1/16W	NN05332610
C625		4822 126 11687	CER. 0.1μF +80%-20% CHIP	DK98104200	RE25		4822 051 30822	CHIP 8.2kΩ ±5% 1/16W	NN05822610
C651		4822 126 11703	CER. 0.01μF +80%-20% CHIP	DK98103300	RE31		4822 051 30392	CHIP 3.9kΩ ±5% 1/16W	NN05392610
C652		4822 126 11703	CER. 0.01μF +80%-20% CHIP	DK98103300	RE32		4822 051 30472	CHIP 4.7kΩ ±5% 1/16W	NN05472610
C653		4822 124 90353	ELECT. 100μF M 10V RA-2	OA10701020	RE33		4822 051 30104	CHIP 100kΩ ±5% 1/16W	NN05104610
C654		4822 126 11687	CER. 0.1μF +80%-20% CHIP	DK98104200	RE34		4822 051 30223	CHIP 22kΩ ±5% 1/16W	NN05223610
C655		4822 126 11687	CER. 0.1μF +80%-20% CHIP	DK98104200	RE35		4822 051 30103	CHIP 10kΩ ±5% 1/16W	NN05103610
C656		4822 126 11687	CER. 0.1μF +80%-20% CHIP	DK98104200	RE41		4822 051 30223	CHIP 22kΩ ±5% 1/16W	NN05223610
C657		4822 124 90353	ELECT. 100μF M 10V RA-2	OA10701020	RE42		4822 051 30683	CHIP 68kΩ ±5% 1/16W	NN05683610
C658					RE43		4822 116 83206	CHIP 120Ω ±5% 1/16W	NN05121610
C662		4822 126 11687	CER. 0.1μF +80%-20% CHIP	DK98104200	RE44		4822 051 30473	CHIP 47kΩ ±5% 1/16W	NN05473610
C663		4822 126 13396	CER. 0.047μF ±10% 16V CHIP	DK96473200	RE45		4822 051 30103	CHIP 10kΩ ±5% 1/16W	NN05103610
C664		4822 126 11687	CER. 0.1μF +80%-20% CHIP	DK98104200	RE46		4822 051 30103	CHIP 10kΩ ±5% 1/16W	NN05103610
C666		4822 126 11687	CER. 0.1μF +80%-20% CHIP	DK98104200	RE47		4822 051 30473	CHIP 47kΩ ±5% 1/16W	NN05473610
C667		4822 124 90353	ELECT. 100μF M 10V RA-2	OA10701020	RE48		4822 051 30473	CHIP 47kΩ ±5% 1/16W	NN05473610
C668		4822 126 11687	CER. 0.1μF +80%-20% CHIP	DK98104200	RE49		4822 051 30473	CHIP 47kΩ ±5% 1/16W	NN05473610
C669		4822 126 14417	CER. 0.01μF B 50V CHIP	DK96103300	RE50		4822 117 12139	CHIP 22Ω ±5% 1/16W	NN05220610
C670		4822 126 11687	CER. 0.1μF +80%-20% CHIP	DK98104200	RE61		4822 051 30104	CHIP 100kΩ ±5% 1/16W	NN05104610
C680		4822 126 11687	CER. 0.1μF +80%-20% CHIP	DK98104200	RE62		4822 051 30102	CHIP 1kΩ ±5% 1/16W	NN05102610
C691		4822 126 14417	CER. 0.01μF B 50V CHIP	DK96103300	RE63		4822 051 30103	CHIP 10kΩ ±5% 1/16W	NN05103610
C692		4822 126 11687	CER. 0.1μF +80%-20% CHIP	DK98104200	RE64		4822 051 30103	CHIP 10kΩ ±5% 1/16W	NN05103610
					RE65		4822 116 82487	CHIP 0Ω ±5% 1/16W	NN05000610

POS. NO	VERS. COLOR	PART NO. (FOR PCS)	DESCRIPTION	PART NO. (MJJ)
RE67		4822 116 82487	CHIP 0Ω 5% 1/16W	NN05000610
RE68		4822 116 82487	CHIP 0Ω 5% 1/16W	NN05000610
RH01				
∫		4822 116 83211	CHIP 1.8kΩ 5% 1/16W	NN05182610
RH12				
RH13				
∫		4822 051 30222	CHIP 2.2kΩ 5% 1/16W	NN05222610
RH19				
RH21		4822 051 30152	CHIP 1.5kΩ 5% 1/16W	NN05152610
RH22		4822 051 30222	CHIP 2.2kΩ 5% 1/16W	NN05222610
RH23		4822 116 83208	CHIP 12kΩ 5% 1/16W	NN05123610
RH24		4822 051 30101	CHIP 100Ω 5% 1/16W	NN05101610
RH25		4822 051 30104	CHIP 100kΩ 5% 1/16W	NN05104610
RH26				
∫		4822 051 30222	CHIP 2.2kΩ 5% 1/16W	NN05222610
RH32				
RH34		4822 051 30152	CHIP 1.5kΩ 5% 1/16W	NN05152610
RH35		4822 051 30222	CHIP 2.2kΩ 5% 1/16W	NN05222610
RH36		4822 116 83208	CHIP 12kΩ 5% 1/16W	NN05123610
RH37		4822 051 30101	CHIP 100Ω 5% 1/16W	NN05101610
RH38		4822 051 30104	CHIP 100kΩ 5% 1/16W	NN05104610
RH39		4822 051 30222	CHIP 2.2kΩ 5% 1/16W	NN05222610
RH40		4822 051 30222	CHIP 2.2kΩ 5% 1/16W	NN05222610
RH41		4822 051 30103	CHIP 10kΩ 5% 1/16W	NN05103610
RH42		4822 051 30105	CHIP 1MΩ 5% 1/16W	NN05105610
RH51		4822 116 83211	CHIP 1.8kΩ 5% 1/16W	NN05182610
RH52		4822 116 83211	CHIP 1.8kΩ 5% 1/16W	NN05182610
RH53				
∫		4822 116 83211	CHIP 1.8kΩ 5% 1/16W	NN05182610
RH62				
RH63				
∫		4822 051 30222	CHIP 2.2kΩ 5% 1/16W	NN05222610
RH69				
RH72		4822 051 30222	CHIP 2.2kΩ 5% 1/16W	NN05222610
RH73		4822 116 83208	CHIP 12kΩ 5% 1/16W	NN05123610
RH74		4822 051 30101	CHIP 100Ω 5% 1/16W	NN05101610
RH75		4822 051 30104	CHIP 100kΩ 5% 1/16W	NN05104610
RH76				
∫		4822 051 30222	CHIP 2.2kΩ 5% 1/16W	NN05222610
RH82				
RH85		4822 051 30472	CHIP 4.7kΩ 5% 1/16W	NN05472610
RH86		4822 051 30222	CHIP 2.2kΩ 5% 1/16W	NN05222610
RH87		4822 051 30101	CHIP 100Ω 5% 1/16W	NN05101610
RH88		4822 051 30104	CHIP 100kΩ 5% 1/16W	NN05104610
RJ01				
∫		4822 116 83211	CHIP 1.8kΩ 5% 1/16W	NN05182610
RJ12				
RJ13				
∫		4822 051 30222	CHIP 2.2kΩ 5% 1/16W	NN05222610
RJ16				
RJ17		4822 051 30472	CHIP 4.7kΩ 5% 1/16W	NN05472610
RJ18		4822 051 30472	CHIP 4.7kΩ 5% 1/16W	NN05472610
RJ19		4822 116 83215	CHIP 5.6kΩ 5% 1/16W	NN05562610
RJ20		4822 116 83215	CHIP 5.6kΩ 5% 1/16W	NN05562610
RJ21		4822 051 30101	CHIP 100Ω 5% 1/16W	NN05101610
RJ22		4822 051 30101	CHIP 100Ω 5% 1/16W	NN05101610
RJ23		4822 051 30104	CHIP 100kΩ 5% 1/16W	NN05104610
RJ24		4822 051 30104	CHIP 100kΩ 5% 1/16W	NN05104610
RJ25		4822 051 30103	CHIP 10kΩ 5% 1/16W	NN05103610
RJ26		4822 051 30103	CHIP 10kΩ 5% 1/16W	NN05103610
RJ51				
∫		4822 116 83211	CHIP 1.8kΩ 5% 1/16W	NN05182610
RJ62				
RJ71				
∫		4822 116 83211	CHIP 1.8kΩ 5% 1/16W	NN05182610
RJ82				

POS. NO	VERS. COLOR	PART NO. (FOR PCS)	DESCRIPTION	PART NO. (MJJ)
RK01				
∫		4822 051 30103	CHIP 10kΩ 5% 1/16W	NN05103610
RK04				
RK05		4822 116 83339	CHIP 56Ω 5% 1/16W	NN05560610
RK06		4822 116 83339	CHIP 56Ω 5% 1/16W	NN05560610
RK07				
∫		4822 051 30472	CHIP 4.7kΩ 5% 1/16W	NN05472610
RK18				
RK19				
∫		4822 051 30399	CHIP 39Ω 5% 1/16W	NN05390610
RK22				
RK23		4822 051 30103	CHIP 10kΩ 5% 1/16W	NN05103610
RK24		4822 051 30103	CHIP 10kΩ 5% 1/16W	NN05103610
RK31		4822 051 30101	CHIP 100Ω 5% 1/16W	NN05101610
RK32		4822 051 30472	CHIP 4.7kΩ 5% 1/16W	NN05472610
RK34		4822 051 30101	CHIP 100Ω 5% 1/16W	NN05101610
RK35				
∫		4822 526 10584	FERRITE CORE ZBF503D-00TA	FC90090010
RK37				
RR01		4822 051 30759	CHIP 75Ω 5% 1/16W	NN05750610
RR02		4822 051 30759	CHIP 75Ω 5% 1/16W	NN05750610
RR03		4822 051 30104	CHIP 100kΩ 5% 1/16W	NN05104610
RR04		4822 051 30104	CHIP 100kΩ 5% 1/16W	NN05104610
RR05		4822 051 30472	CHIP 4.7kΩ 5% 1/16W	NN05472610
RR06		4822 051 30472	CHIP 4.7kΩ 5% 1/16W	NN05472610
RR07		4822 051 30339	CHIP 33Ω 5% 1/16W	NN05330610
RR08		4822 051 30339	CHIP 33Ω 5% 1/16W	NN05330610
RR09		4822 051 30759	CHIP 75Ω 5% 1/16W	NN05750610
RR10		4822 051 30391	CHIP 390Ω 5% 1/16W	NN05391610
RR12				
∫		4822 116 82487	CHIP 0Ω 5% 1/16W	NN05000610
RR15				
RR16		4822 051 30103	CHIP 10kΩ 5% 1/16W	NN05103610
RR17				
∫		4822 116 82487	CHIP 0Ω 5% 1/16W	NN05000610
RR20				
RR21		4822 051 30103	CHIP 10kΩ 5% 1/16W	NN05103610
RR22		4822 051 30103	CHIP 10kΩ 5% 1/16W	NN05103610
RR23		4822 051 30102	CHIP 1kΩ 5% 1/16W	NN05102610
RR24		4822 051 30102	CHIP 1kΩ 5% 1/16W	NN05102610
RR25		4822 051 30759	CHIP 75Ω 5% 1/16W	NN05750610
RR27				
∫		4822 051 30103	CHIP 10kΩ 5% 1/16W	NN05103610
RR84				
R601		4822 051 30105	CHIP 1MΩ 5% 1/16W	NN05105610
R602		4822 051 30103	CHIP 10kΩ 5% 1/16W	NN05103610
R603		4822 116 82487	CHIP 0Ω 5% 1/16W	NN05000610
R604		4822 116 82487	CHIP 0Ω 5% 1/16W	NN05000610
R605		4822 116 82487	CHIP 0Ω 5% 1/16W	NN05000610
R606		4822 051 30223	CHIP 22kΩ 5% 1/16W	NN05223610
R651		4822 051 30103	CHIP 10kΩ 5% 1/16W	NN05103610
R652		4822 051 30103	CHIP 10kΩ 5% 1/16W	NN05103610
R653		4822 116 82487	CHIP 0Ω 5% 1/16W	NN05000610
R654		4822 051 30472	CHIP 4.7kΩ 5% 1/16W	NN05472610
R655		4822 116 82487	CHIP 0Ω 5% 1/16W	NN05000610
R656		4822 116 82487	CHIP 0Ω 5% 1/16W	NN05000610
R657		4822 116 82487	CHIP 0Ω 5% 1/16W	NN05000610
R659		4822 051 30472	CHIP 4.7kΩ 5% 1/16W	NN05472610
R661		4822 051 30223	CHIP 22kΩ 5% 1/16W	NN05223610
R662		4822 051 30473	CHIP 47kΩ 5% 1/16W	NN05473610
R663		4822 116 82487	CHIP 0Ω 5% 1/16W	NN05000610
R683		4822 051 30473	CHIP 47kΩ 5% 1/16W	NN05473610
R684		4822 051 30479	CHIP 47Ω 5% 1/16W	NN05470610
R685		4822 051 30479	CHIP 47Ω 5% 1/16W	NN05470610
R686		4822 051 30479	CHIP 47Ω 5% 1/16W	NN05470610
R687		4822 051 30474	CHIP 470kΩ 5% 1/16W	NN05474610
R689		4822 051 30103	CHIP 10kΩ 5% 1/16W	NN05103610



POS. NO	VERS. COLOR	PART NO. (FOR PCS)	DESCRIPTION	PART NO. (MJI)	POS. NO	VERS. COLOR	PART NO. (FOR PCS)	DESCRIPTION	PART NO. (MJI)
R691		4822 051 30103	CHIP 10kΩ 5% 1/16W	NN05103610	Q602		9965 000 01322	IC TC7WT241FU	HC007405K0
R692		4822 051 30104	CHIP 100kΩ 5% 1/16W	NN05104610	Q603		9965 000 01323	IC TC7WT126FU	HC007305K0
R694		4822 051 30103	CHIP 10kΩ 5% 1/16W	NN05103610	Q604		9965 000 01324	IC 1M SRAM 8X128K 15NS	HC10088000
R695		4822 051 30103	CHIP 10kΩ 5% 1/16W	NN05103610	Q605		9965 000 01326	IC TCW32FU	HC10419050
R697		4822 051 30103	CHIP 10kΩ 5% 1/16W	NN05103610	Q651		4822 209 17013	IC ZR38600	HC10051990
			<b>P604-SEMICONDUCTORS</b>					AC-3 THX5.1 DECODER	
DE01		4822 130 10683	CHIP DIODE KV1851-TL00	HZ40003420	Q652		9965 000 01338	IC TC7SET04F	HC007205K0
DR01		4822 130 81324	CHIP DIODE 1SS302	HZ20018050	Q691		9965 000 01339	MICROPROCESSOR SUB CPU	HU300JN50F
DR02		4822 130 81324	CHIP DIODE 1SS302	HZ20018050				THX μPD78018F	
DR03		4822 130 80522	CHIP DIODE 1SS300 DAP202U	HZ21006000	Q692		9965 000 01323	IC TC7WT126FU	HC007305K0
D692		4822 130 83715	CHIP DIODE 1SS301 DAN202U	HZ21005000	Q693		4822 209 32921	IC S-80745AN	HC10048530
D693		4822 130 83715	CHIP DIODE 1SS301 DAN202U	HZ21005000	Q694		4822 209 12845	IC S-80730SN-DT-X RESET	HC10054530
								<b>P604-MISCELLANEOUS</b>	
QD01		9965 000 01319	IC AD1855 DAC 24BIT 96kHz	HC10013840	JE01		4822 267 10603	TERMINAL YKC21-3707	YT02011030
QD02		9965 000 01319	IC AD1855 DAC 24BIT 96kHz	HC10013840	JR01		9965 000 01340	TERMINAL RCA 2P	YT02021540
QD03		9965 000 01319	IC AD1855 DAC 24BIT 96kHz	HC10013840	JR02		4822 218 11487	OPTICAL RECIVER GP1F32R	YJ15000150
QD41		9965 000 01319	IC AD1855 DAC 24BIT 96kHz	HC10013840	JR03		4822 218 11487	OPTICAL RECIVER GP1F32R	YJ15000150
QD42		9965 000 01319	IC AD1855 DAC 24BIT 96kHz	HC10013840	JR04		4822 267 31369	OPTICAL OUTPUT GP1F32T	YJ15000090
QD43		4822 209 17526	IC TC160G11A/U305	HC10438050	JR05		4822 290 81638	TERMINAL 14X14 RA 1L1P	YT02010790
			312020050070						
QD44		4822 209 17526	IC TC160G11A/U305	HC10438050	LD01				
			312020050070		LD07		4822 526 10584	FERRITE CORE	FC90090010
QE01		4822 130 60669	CHIP TR.	HX300012A0	LD41		4822 526 10584	FERRITE CORE	FC90090010
			2SC4081 Q R 2SC4116 Y GR					ZBF503D-00TA	
QE02		4822 130 60669	CHIP TR.	HX300012A0	LD42		4822 526 10584	FERRITE CORE	FC90090010
			2SC4081 Q R 2SC4116 Y GR					ZBF503D-00TA	
QE03		4822 130 60669	CHIP TR.	HX300012A0	LD45		4822 526 10584	FERRITE CORE	FC90090010
			2SC4081 Q R 2SC4116 Y GR					ZBF503D-00TA	
QE04		4822 209 14876	IC MC14577C	HC10065170	LD46		4822 526 10584	FERRITE CORE	FC90090010
QE05		4822 130 60669	CHIP TR.	HX300012A0				ZBF503D-00TA	
			2SC4081 Q R 2SC4116 Y GR		LD81		4822 242 73843	EMI FILTER DSS306-91-F-223Z	FM12223010
QE06		4822 130 10698	CHIP TR.	HX100012A0	LD82		4822 242 73843	EMI FILTER DSS306-91-F-223Z	FM12223010
			2SA1586 Y GR 2SA1576A Q R		LD83		4822 242 73843	EMI FILTER DSS306-91-F-223Z	FM12223010
QE07		4822 130 10698	CHIP TR.	HX100012A0	LD84		4822 242 73843	EMI FILTER DSS306-91-F-223Z	FM12223010
			2SA1586 Y GR 2SA1576A Q R		LD85		4822 242 73843	EMI FILTER DSS306-91-F-223Z	FM12223010
QE08		4822 209 83357	IC NJM4560M	HC10029090	LD86		4822 242 73843	EMI FILTER DSS306-91-F-223Z	FM12223010
QE09		4822 209 17162	IC PM4007A	HC10016660	LE01		4822 157 70681	CHIP INDUCTANCE 68μH	LU2683010
			AC-3 RF DEMODURATOR					NL322522-680K	
QE10		4822 209 14864	IC 8X32K SRAM <35NS	HC10076000	LE02		4822 242 10582	L.C. FILTER	FF30288010
QH01		4822 209 91175	IC NJM2114M OP AMP	HC10175090				SBP-4930 2.88MHz B.P.F	
QH02		4822 209 91175	IC NJM2114M OP AMP	HC10175090	LE03		4822 242 73843	EMI FILTER DSS306-91-F-223Z	FM12223010
QH03		4822 209 91175	IC NJM2114M OP AMP	HC10175090	LE04		4822 242 73843	EMI FILTER DSS306-91-F-223Z	FM12223010
QH04		4822 130 61227	DIG.TR.S. DTA114ES ETC	BA10001000	LH01		4822 526 10584	FERRITE CORE	FC90090010
QH05		4822 130 43818	TRS. 2SC2878 A B	HT328782A0				ZBF503D-00TA	
QH06		4822 130 43818	TRS. 2SC2878 A B	HT328782A0	LH02		4822 526 10584	FERRITE CORE	FC90090010
QH51		4822 209 91175	IC NJM2114M OP AMP	HC10175090				ZBF503D-00TA	
QH52		4822 209 91175	IC NJM2114M OP AMP	HC10175090	LH51		4822 526 10584	FERRITE CORE	FC90090010
QH53		4822 209 91175	IC NJM2114M OP AMP	HC10175090				ZBF503D-00TA	
					LH52		4822 526 10584	FERRITE CORE	FC90090010
QJ01		4822 209 91175	IC NJM2114M OP AMP	HC10175090				ZBF503D-00TA	
QJ02		4822 209 91175	IC NJM2114M OP AMP	HC10175090	LJ01		4822 526 10584	FERRITE CORE	FC90090010
QJ51		4822 209 91175	IC NJM2114M OP AMP	HC10175090				ZBF503D-00TA	
QJ71		4822 209 91175	IC NJM2114M OP AMP	HC10175090	LJ02		4822 526 10584	FERRITE CORE	FC90090010
QK01		9965 000 01317	IC CS5394 2CH ADC 24BIT	HC10003880				ZBF503D-00TA	
QK03		4822 209 91175	IC NJM2114M OP AMP	HC10175090	LK01		4822 526 10584	FERRITE CORE	FC90090010
QK04		4822 209 91175	IC NJM2114M OP AMP	HC10175090				ZBF503D-00TA	
QK05		4822 209 91175	IC NJM2114M OP AMP	HC10175090	LR01		4822 142 60422	PULSE TRANSF.	TP41042030
QK06		4822 209 91175	IC NJM2114M OP AMP	HC10175090				TPS247MN-0386AN	
QR01		9965 000 01341	IC CS8414 SPDIF RECEIVER	HC10004880	LR02		4822 242 73843	EMI FILTER DSS306-91-F-223Z	FM12223010
QR02		9965 000 01342	IC TC74HC151AF	HC715100Z0	L601		4822 242 73843	EMI FILTER DSS306-91-F-223Z	FM12223010
QR03		9965 000 01342	IC TC74HC151AF	HC715100Z0	L602		4822 242 73843	EMI FILTER DSS306-91-F-223Z	FM12223010
QR04		4822 209 30426	IC 74HC00 CMOS	HC700000Z0	L651		4822 242 73843	EMI FILTER DSS306-91-F-223Z	FM12223010
QR05		4822 209 30426	IC 74HC01 CMOS	HC700000Z0	L691		4822 157 10884	EMI FILTER BLM11A221S	FN31000010
QR06		4822 209 32879	IC TC74HC157A	HC715705Z0	L692		4822 157 10884	EMI FILTER BLM11A221S	FN31000010
QR07		4822 209 31568	IC 74HCU04 CMOS	HC700400Z0	L693		4822 157 10884	EMI FILTER BLM11A221S	FN31000010
QR08		4822 209 90909	IC TC7W74FU D-F F	HC10400050	L694		4822 157 10884	EMI FILTER BLM11A221S	FN31000010
					L695		4822 157 10884	EMI FILTER BLM11A221S	FN31000010
Q601		9965 000 01321	IC YSS912	HC10014640	L696		4822 157 10884	EMI FILTER BLM11A221S	FN31000010
			DTS AC-3 DECODER						

POS. NO	VERS. COLOR	PART NO. (FOR PCS)	DESCRIPTION	PART NO. (MUJ)	POS. NO	VERS. COLOR	PART NO. (FOR PCS)	DESCRIPTION	PART NO. (MUJ)
L697		4822 157 10884	EMI FILTER BLM11A221S	FN31000010				<b>P804-CAPACITOR (COMMON)</b> ELECTROLYTIC CAPACITOR ±20% : C847	
XE01		9965 000 01320	CRYSTAL 18.432MHZ AT-49	JX18001260				<b>P804-RESISTORS</b> 2.2MΩ ±10% 1/2W FOR UL	RC10225820
X601		4822 242 10851	CRYSTAL 12.288MHZ AT-49	JX12013260				100Ω ±5% 1/4W	GG05101140
X691		4822 242 81727	SERAMIC VIB. CST10.0MTW-TF01 10.0MHZ	FO01005010				1Ω ±5% 1/4W	GG05010140
			<b>P804-PRIMARY SUPPLY</b> <b>CIRCUIT BOARD</b> <b>P804-CAPACITORS</b> CER. 0.01μF ±20%	DK17103840				1.2kΩ ±5% 1W	GA05122010
CB01	/U	4822 122 33276						FUSE 100Ω ±2% 1/4W	NF02101140
C801								FUSE 100Ω ±2% 1/4W	NF02101140
C804		4822 122 30043	CER. 0.01μF +80%-20% 50V	DK18103310				FUSE 47Ω ±2% 1/4W	NF02470140
C805		9965 000 01351	ELECT. 13000μF M 16V RE3	EA13901670				150Ω ±5% 1/2W	GG05151120
C806		4822 124 80707	ELECT. 2200μF 25V RA-2	EA22802570				180Ω ±5% 1/2W	GG05181120
C807		4822 122 30043	CER. 0.01μF +80%-20% 50V	DK18103310				150Ω ±5 1/2W	GG05151120
C808		4822 122 30043	CER. 0.01μF +80%-20% 50V	DK18103310				180Ω ±5% 1/2W	GG05181120
C809		4822 124 90357	CER. 0.01μF +80%-20% 50V	DK18103310				150Ω ±5% 1/2W	GG05151120
C810		4822 124 90354	ELECT. 100μF M 16V RA-2	OA10701620				180Ω ±5% 1/2W	GG05181120
C811		4822 124 90354	ELECT. 100μF M 16V RA-2	OA10701620				150Ω ±5% 1/2W	GG05151120
C812		4822 124 22571	ELECT. 10μF M 50V RA-2	OA10605020				180Ω ±5% 1/2W	GG05181120
C813		4822 122 30043	CER. 0.01μF +80%-20% 50V	DK18103310				150Ω ±5% 1/2W	GG05151120
C814		4822 124 41539	ELECT. 47μF M 16V RA-2	OA47601620				180Ω ±5% 1/2W	GG05181120
C815		4822 124 90357	ELECT. 2.2μF M 50V RA-2	OA22505020				150Ω ±5% 1/2W	GG05151120
C816		4822 122 30043	CER. 0.01μF +80%-20% 50V	DK18103310					
C817		4822 122 30043	CER. 0.01μF +80%-20% 50V	DK18103310					
C818		4822 124 41539	ELECT. 47μF M 16V RA-2	OA47601620					
C819		4822 122 30043	CER. 0.01μF +80%-20% 50V	DK18103310					
C820		4822 124 90354	ELECT. 100μF M 16V RA-2	OA10701620					
C821		4822 124 90354	ELECT. 100μF M 16V RA-2	OA10701620					
C822		4822 122 30043	CER. 0.01μF +80%-20% 50V	DK18103310					
C823		4822 122 30043	CER. 0.01μF +80%-20% 50V	DK18103310					
C824		4822 124 80396	ELECT. 4700μF 35V RA-2	EA47803510					
C825		4822 124 80396	ELECT. 4700μF 35V RA-2	EA47803510					
C826		4822 122 30043	CER. 0.01μF +80%-20% 50V	DK18103310					
C827		4822 122 30043	CER. 0.01μF +80%-20% 50V	DK18103310					
C828		4822 124 22571	ELECT. 10μF M 50V RA-2	OA10605020					
C829		4822 122 30043	CER. 0.01μF +80%-20% 50V	DK18103310					
C830		4822 124 22571	ELECT. 10μF M 50V RA-2	OA10605020					
C831		4822 122 30043	CER. 0.01μF +80%-20% 50V	DK18103310					
C832		4822 122 30043	CER. 0.01μF +80%-20% 50V	DK18103310					
C833		4822 124 22571	ELECT. 10μF M 50V RA-2	OA10605020					
C834		4822 124 22571	ELECT. 10μF M 50V RA-2	OA10605020					
C835		4822 122 30043	CER. 0.01μF +80%-20% 50V	DK18103310					
C836		4822 124 22571	ELECT. 10μF M 50V RA-2	OA10605020					
C837		4822 122 30043	CER. 0.01μF +80%-20% 50V	DK18103310					
C838		4822 122 30043	CER. 0.01μF +80%-20% 50V	DK18103310					
C839		4822 124 22571	ELECT. 10μF M 50V RA-2	OA10605020					
C840		4822 122 30043	CER. 0.01μF +80%-20% 50V	DK18103310					
C841		4822 124 22571	ELECT. 10μF M 50V RA-2	OA10605020					
C842		4822 122 30043	CER. 0.01μF +80%-20% 50V	DK18103310					
C843		4822 124 22571	ELECT. 10μF M 50V RA-2	OA10605020					
C844		4822 122 30043	CER. 0.01μF +80%-20% 50V	DK18103310					
C845		4822 122 30043	CER. 0.01μF +80%-20% 50V	DK18103310					
C846		4822 124 90355	ELECT. 100μF M 50V RA-2	OA10705020					
C848		9965 000 01352	ELECT. 470μF 63V	EA47706310					
C849		4822 124 22571	ELECT. 10μF M 50V RA-2	OA10605020					
C850		4822 124 80772	ELECT. 47μF M 35V RA-2	OA47603520					
C853		4822 122 40617	CER. 50V DC 0.1μF +80%-20%	DD38104010					
C854		4822 122 30043	CER. 0.01μF +80%-20% 50V	DK18103310					
C855		4822 122 30043	CER. 0.01μF +80%-20% 50V	DK18103310					
C856		4822 124 41538	ELECT. 220μF 35V	OA22703520					
C857		4822 122 30043	CER. 0.01μF +80%-20% 50V	DK18103310					
C858		4822 122 30043	CER. 0.01μF +80%-20% 50V	DK18103310					
								<b>P804-RESISTORS (COMMON)</b> CARBON FILM FIXED RES. ±5% 1/6W : R804-R807 R814-R821	
								<b>P804-SEMICONDUCTORS</b> DIODE 1D3 1A 200V	HD20002710
								DIODE D5SB-20 I=5.0A V=200V	HE20016290
								DIODE D3SB-20 V=200V I=3.0A	HE20020290
								ZENER DIODE 3.9V	HD30391000
								RD3.9ES B1 MTZJ3.9A 04AZ3.9	
								DIODE 1D3 1A 200V	HD20002710
								JUMPER	75060501P0
								DIODE 1D3 1A 200V	HD20002710
								JUMPER	75060501P0
								DIODE 1D3 1A 200V	HD20002710
								DIODE 1D3 1A 200V	HD20002710
								JUMPER	75060501P0
								DIODE 1D3 1A 200V	HD20002710
								DIODE 1D3 1A 200V	HD20002710
								ZENER DIODE RD33F-T8 B2	HD30080060
								ZENER DIODE 8.2V	HD30821000
								RD8.2ES MTZJ8.2C 04AZ8.2-Z	
								DIODE DIODE 1D3	HD20002710
								DIODE DIODE 1D3	HD20002710
								DIODE DIODE 1D3	HD20002710
								DIODE 1D3 1A 200V	HD20002710
								DIODE 1S133	HD20002000
								DIODE 1D3 1A 200V	HD20002710
								DIODE 1D3 1A 200V	HD20002710
								IC NJM7806FA +6V 1A	HC38906090
								TRS. 2SD1415	HT41415100
								TRS. 2SD1415	HT41415100
								IC NJM7915FA -15V 1A	HC39915090
								IC NJM7915FA -15V 1A	HC39915090
								TRS. 2SC4793 O Y	HT347932A0
								TRS. 2SC3419 O Y	HT334192A0
								40V 0.8A PC=1.2W 5W	
								TRS. 2SC3419 O Y	HT334192A0
								40V 0.8A PC=1.2W 5W	
								TRS. 2SC3419 O Y	HT334192A0
								40V 0.8A PC=1.2W 5W	

POS. NO	VERS. COLOR	PART NO. (FOR PCS)	DESCRIPTION	PART NO. (MJI)	POS. NO	VERS. COLOR	PART NO. (FOR PCS)	DESCRIPTION	PART NO. (MJI)
Q813		4822 130 41947	TRS. 2SC2458 2SC1740S 2SC3199	HT30001000	CL11 }		4822 124 22571	ELECT. 10µF M 50V RA-2	OA10605020
▲ Q814		9965 000 01354	IC L780S15 +15V 1A	HC38915030	CL23				
Q815		4822 209 15921	IC RESET S-806D-Z SEIKO	HC10077530	CL24		4822 124 41544	ELECT. 470µF M 6.3V RA-2	OA47700620
Q816		4822 130 61227	DIG.TRS. DTA114ES UN4111 10K 10K	BA10001000	CL25 }		4822 124 22571	ELECT. 10µF M 50V RA-2	OA10605020
Q817		4822 130 60588	DIG.TRS. DTC114ES UN4211 10K 10K	BA20001000	CL31				
▲ FB02	/K,/N,/S	4822 253 30354	<b>P804-MISCELLANEOUS</b> FUSE T400mA 250V BS LISTED	FS10040850	CL32		4822 124 41544	ELECT. 470µF M 6.3V RA-2	OA47700620
▲ FB02	/U		FUSE 800mA 250V UL CSA MITI	FS10080350	CL33		4822 124 41544	ELECT. 470µF M 6.3V RA-2	OA47700620
JB04	/U		JACK 2P AC OUTLET	YJ04002040	CL34		4822 122 30043	CER. 0.01µF +80%-20% 50V	DK18103310
▲ LB01	/U	4822 280 20517	RELAY VS24MB UL CSA SEM.	LY10240190	CL35		4822 124 41537	ELECT. 220µF M 6.3V RA-2	OA22700620
LB02		4822 157 70419	EMI NOISE FILTER LF-4D-102	FN01020020	CL36		4822 122 30043	CER. 0.01µF +80%-20% 50V	DK18103310
▲ L801		9965 000 01353	RELAY FTR-F1AA024T	LY20240460	CL37		4822 124 90353	ELECT. 100µF M 10V RA-2	OA10701020
▲ L802		9965 000 01353	RELAY FTR-F1AA024T	LY20240460	CL38		4822 122 30043	CER. 0.01µF +80%-20% 50V	DK18103310
▲ L803		9965 000 01353	RELAY FTR-F1AA024T	LY20240460	CL39		4822 122 30043	CER. 0.01µF +80%-20% 50V	DK18103310
D871		4822 130 82421	<b>P874- +5VD CIRCUIT BOARD</b> DIODE 1D3 1A 200V	HD20002710	CL40		4822 122 30043	CER. 0.01µF +80%-20% 50V	DK18103310
▲ Q871		4822 209 31631	IC NJM7805FA +5V 1A	HC38905090	CL41		4822 124 90353	ELECT. 100µF M 10V RA-2	OA10701020
D881		4822 130 82421	<b>P884- +5VA CIRCUIT BOARD</b> DIODE 1D3 1A 200V	HD20002710	CL42		4822 122 30043	CER. 0.01µF +80%-20% 50V	DK18103310
▲ Q881		4822 209 31631	IC NJM7805FA +5V 1A	HC38905090	CL43		4822 124 41537	ELECT. 220µF M 6.3V RA-2	OA22700620
D891		4822 130 82421	<b>P894- -5V CIRCUIT BOARD</b> DIODE 1D3 1A 200V	HD20002710	CL44		4822 122 40617	CER. 0.1µF 50V	DD38104010
▲ Q891		4822 209 63179	IC NJM7905FA -5V 1A	HC39905090	CL46	/K,/N,/S	4822 126 10362	CER. 22PF	DA15220110
▲ FB51	/K,/N,/S	4822 071 52002	<b>PB54-PRIMARY CONNECT CIRCUIT BOARD</b> <b>PB54-MISCELLANEOUS</b> FUSE T2.0A 250V TR5 IEC127-3	FS20200200	CL47	/K,/N,/S	4822 126 11553	CER. 15PF	DA15150120
▲ FB51	/U		FUSE T2A 250V TR5	FS20200210	CL48	/U	4822 122 33792	CER. 10PF	DA15100120
▲ FB52	/K,/N,/S	4822 071 52002	FUSE T2.0A 250V TR5 IEC127-3	FS20200200	CL49		4822 126 11591	CER. 24pF ±5% CH 50V BLK	DD15240300
▲ FB52	/U		FUSE T2A 250V TR5	FS20200210	CL50		4822 126 10362	CER. 22PF	DA15220110
▲ FB53	/K,/N,/S	4822 071 51602	FUSE T1.6A 250V	FS20160200	CL52		4822 124 41543	ELECT. 1µF M 50V RA-2	OA10505020
▲ FB53	/U		FUSE 1.6A 125V	FS20160220	CL53		4822 122 40617	CER. 0.1µF 50V	DD38104010
▲ FB54	/K,/N,/S	4822 071 51602	FUSE T1.6A 250V	FS20160200	CL54		4822 124 41537	ELECT. 220µF M 6.3V RA-2	OA22700620
▲ FB54	/U		FUSE 1.6A 125V	FS20160220	CL55		4822 124 41543	ELECT. 1µF M 50V RA-2	OA10505020
▲ FB55	/K,/N,/S	4822 071 55001	FUSE T500mA 250V TR5 IEC127-3	FS20050200	CL56		4822 124 22571	ELECT. 10µF M 50V RA-2	OA10605020
▲ FB55	/U		FUSE 0.5A 125V	FS20050220	CL57		4822 124 22571	ELECT. 10µF M 50V RA-2	OA10605020
▲ FB56	/K,/N,/S	4822 071 55001	FUSE T500mA 250V TR5 IEC127-3	FS20050200	CL58		4822 124 22571	ELECT. 10µF M 50V RA-2	OA10605020
▲ FB56	/U		FUSE 0.5A 125V	FS20050220	CL59		4822 124 41544	ELECT. 470µF M 6.3V RA-2	OA47700620
CB71		4822 122 33276	<b>PB74-POWER SW. CIRCUIT BOARD</b> CER. 0.01µF ±20%	DK17103840	CL60		4822 124 22571	ELECT. 10µF M 50V RA-2	OA10605020
▲ SB71		9965 000 01361	PUSH SW. POWER TV-5	SP01012470	CL61		4822 124 22571	ELECT. 100µF M 10V RA-2	OA10701020
CL01		4822 124 22571	<b>PL04-CVBS VIDEO SELECTOR CIRCUIT BOARD</b> <b>PL04-CAPACITORS</b> ELECT. 10µF M 50V RA-2	OA10605020	CL62		4822 122 30043	CER. 0.01µF +80%-20% 50V	DK18103310
CL02		4822 124 22571	ELECT. 10µF M 50V RA-2	OA10605020	CL63		4822 122 30043	CER. 0.01µF +80%-20% 50V	DK18103310
CL03		4822 124 22571	ELECT. 10µF M 50V RA-2	OA10605020	CL64		4822 124 41537	ELECT. 220µF M 6.3V RA-2	OA22700620
CL04			JUMPER	75060501P0	CL65		4822 122 40617	CER. 0.1µF +80%-20% 50V DC	DD38104010
CL05		4822 124 22571	ELECT. 10µF M 50V RA-2	OA10605020	CL66			JUMPER	75060501P0
CL07		4822 124 22571	ELECT. 10µF M 50V RA-2	OA10605020	CL67	/U	4822 126 10362	CER. 22PF	DA15220110
CL08		4822 124 22571	ELECT. 10µF M 50V RA-2	OA10605020	CL68		4822 124 41543	ELECT. 1µF M 50V RA-2	OA10505020
CL09		4822 124 22571	ELECT. 10µF M 50V RA-2	OA10605020	CL69		4822 124 22571	ELECT. 10µF M 50V RA-2	OA10605020
CL10		4822 124 22571	ELECT. 10µF M 50V RA-2	OA10605020	CL70		4822 122 30043	CER. 0.01µF +80%-20% 50V	DK18103310
			JUMPER	75060501P0	CL71				
					CL74			JUMPER	75060501P0
					CL75		4822 124 22571	ELECT. 10µF M 50V RA-2	OA10605020
					CL79		4822 124 41543	ELECT. 1µF M 50V RA-2	OA10505020
					CL80		4822 122 30043	CER. 0.01µF +80%-20% 50V	DK18103310
					CL81		4822 124 22571	ELECT. 10µF M 50V RA-2	OA10605020
					CL82		4822 124 22571	ELECT. 10µF M 50V RA-2	OA10605020
					CL83		4822 124 22571	ELECT. 10µF M 50V RA-2	OA10605020
					CL84		4822 125 50384	TRIM. 20pF VCT51E	CT12000200
					CL86		4822 124 22571	ELECT. 10µF M 50V RA-2	OA10605020
					CX84		4822 124 22277	ELECT. 470µF M 10V	OA47701620
					***			<b>PL04-CAPACITORS (COMMON)</b> HIGH DIELECTRIC CONSTANT CER. CAPACITOR ±10% 50V : CL51 CL76 CL77 (CL87 CL88 CL91 CL92 CL96 CL97(/N,/S))	
					***			PLASTIC FILM CAPACITOR ±5% 50V : CL78	
								<b>PL04-RESISTORS</b> 75Ω ±5% 1/6W	GD05750160
					RL01		4822 111 41355	75Ω ±5% 1/6W	GD05750160
					RL03		4822 111 41355	75Ω ±5% 1/6W	GD05750160
					RL05		4822 111 41355	75Ω ±5% 1/6W	GD05750160

POS. NO	VERS. COLOR	PART NO. (FOR PCS)	DESCRIPTION	PART NO. (MJI)
RL07		4822 111 41355	75Ω ±5% 1/6W	GD05750160
RL09		4822 111 41355	75Ω ±5% 1/6W	GD05750160
▲RV51		4822 050 21021	100Ω ±5% 1/2W	GG05101120
<b>R***</b>			<b>PL04-RESISTORS (COMMON)</b> CARBON FILM FIXED RES. ±5% 1/6W : RL02 RL04 RL06 RL08 RL10-RL15 RL18-RL26 RL28-RL43 RV52 RV53	
			<b>PL04-SEMICONDUCTORS</b>	
DL07		4822 130 32362	DIODE 1SS176 MA165 1SS254 30V 0.1A	HD20002000
DV01		4822 130 82421	DIODE DIODE 1D3	HD20002710
DV02		4822 130 82421	DIODE DIODE 1D3	HD20002710
DV03		4822 130 82421	DIODE DIODE 1D3	HD20002710
DV51		4822 130 82421	DIODE 1D3	HD20002710
DV52		4822 130 82421	DIODE 1D3	HD20002710
DV53		4822 130 32362	DIODE 1SS176 MA165 1SS254 30V 0.1A	HD20002000
QL01		9965 000 01371	IC MM1140XF	HC10083550
QL02		4822 209 32928	IC BA7612N VIDEO SELECTOR	HC10201210
QL03		9965 000 01372	IC BA7649A G-1 VIDEO SW	HC10179210
QL04		4822 209 31527	IC BA7613N	HC10202210
QL05		9965 000 01372	IC BA7649A G-1 VIDEO SW	HC10179210
QL06		4822 209 31527	IC BA7613N	HC10202210
QL07		4822 209 16846	IC NJU3718L	HC10171090
QL08		4822 209 32246	IC NJM2244	HC10119090
QL09		4822 209 15524	3IN SW 75Ω DRIVER IC OSD LC74781	HC10377030
QL10	/K,/N,/S	4822 130 61227	DIG.TRS. DTA114ES UN4111 10K 10K	BA10001000
QL11	/K,/N,/S	4822 130 61189	DIG.TRS. DTC114TS UN4215 10K	BA20004000
QL12	/K,/N,/S	4822 130 61189	DIG.TRS. DTC114TS UN4215 10K	BA20004000
QL14		4822 209 32246	IC NJM2244 3IN SW 75Ω DRIVER	HC10119090
QL15		4822 130 60588	DIG.TRS. DTC114ES UN4211 10K 10K	BA20001000
QL16		4822 130 41947	TRS. 2SC2458 2SC1740S 2SC3199	HT30001000
QL17		4822 130 60588	DIG.TRS. DTC114ES UN4211 10K 10K	BA20001000
QL18		5322 209 71773	IC 74HC132	HC713205D0
QL19		4822 130 60588	DIG.TRS. DTC114ES UN4211 10K 10K	BA20001000
QV51		4822 130 61227	DIG.TRS. DTA114ES UN4111 10K 10K	BA10001000
QV52		4822 130 63634	TRS. 2SA1837 Q Y	HT118372A0
			<b>PL04-MISCELLANEOUS</b>	
JL01		4822 265 31299	TERMINAL 3P RCA YELLOW	YT02030340
JL02		4822 265 31299	TERMINAL 3P RCA YELLOW	YT02030340
JL03		4822 265 31299	TERMINAL 3P RCA YELLOW	YT02030340
JL04		4822 265 31045	TERMINAL YKC21-3081	YT02021080
JL05		4822 290 81598	TERMINAL 2P RCA GOLD	YT02021130
JL12		4822 265 31045	TERMINAL YKC21-3081	YT02021080
LL01		4822 157 62922	CHOKE COIL 33μH J	LC13333800
LL02		4822 242 73843	EMI FILTER DSS306-91-F-223Z	FM12223010
LL03			JUMPER	75060501P0
LL08				
LV01		4822 280 20501	RELAY MR62-24SR 24V	LY20240410
LV02		4822 280 20501	RELAY MR62-24SR 24V	LY20240410
LV03		4822 280 20501	RELAY MR62-24SR 24V	LY20240410
XL01	/K	4822 242 73903	CRYSTAL AT49 17.7MHz	JX17001260

POS. NO	VERS. COLOR	PART NO. (FOR PCS)	DESCRIPTION	PART NO. (MJI)
XL01	/S	4822 242 73903	CRYSTAL AT49 17.7MHz	JX17001260
XL01	/N	4822 242 73903	CRYSTAL AT49 17.7MHz	JX17001260
XL02		4822 242 80288	CRYSTAL AT49 14.31818MHz	JX14001260
			<b>PL74-AUX INPUT CIRCUIT BOARD PL74-CAPACITORS</b>	
CL75	/N,/S	4822 126 11568	CER. 470pF CHIP	DK96471300
CL76	/N,/S	4822 126 11568	CER. 470pF CHIP	DK96471300
CL77	/N,/S	4822 122 33777	CER. 47PF CHIP	DD95470300
CL78	/N,/S	4822 122 33777	CER. 47PF CHIP	DD95470300
CL79				
CL82		4822 124 22571	ELECT. 10μF M 50V RA-2	OA10605020
CL83		4822 124 23112	ELECT. 10μF 16V	EQ10601630
CL84		4822 111 41305	0Ω ±5% 1/4W	GD05000140
CL88		4822 111 41305	0Ω ±5% 1/4W	GD05000140
CL89		4822 126 11687	CER. 0.1μF +80%-20% CHIP	DK98104200
CL90		4822 126 11687	CER. 0.1μF +80%-20% CHIP	DK98104200
CL91				
CL98		4822 111 41305	0Ω ±5% 1/4W	GD05000140
			<b>PL74-RESISTORS</b>	
RL75		4822 051 30102	CHIP 1kΩ ±5% 1/16W	NN05102610
RL76		4822 051 30102	CHIP 1kΩ ±5% 1/16W	NN05102610
RL77		4822 051 30473	CHIP 47kΩ ±5% 1/16W	NN05473610
RL78		4822 051 30473	CHIP 47kΩ ±5% 1/16W	NN05473610
RL79				
RL82		4822 116 82487	CHIP 0Ω ±5% 1/16W	NN05000610
RL83		4822 051 30473	CHIP 47kΩ ±5% 1/16W	NN05473610
RL84		4822 051 30473	CHIP 47kΩ ±5% 1/16W	NN05473610
RL85		4822 051 30759	CHIP 75Ω ±5% 1/16W	NN05750610
RL86		4822 051 30759	CHIP 75Ω ±5% 1/16W	NN05750610
RL88		4822 051 30759	CHIP 75Ω ±5% 1/16W	NN05750610
QL75		4822 209 71451	IC NJM4558M Y	HC10011090
JL75		9965 000 01347	TERMINAL RCA JACK 3P & S-TERMINAL AUX	BY04040030
			<b>PM04-HDAM CIRCUIT BOARD PM04-CAPACITORS</b>	
CM21		4822 124 90358	ELECT. 22μF M 16V	OA22601620
CM22		4822 124 90358	ELECT. 22μF M 16V	OA22601620
CM23		4822 122 30043	CER. 0.01μF +80%-20% 50V	DK18103310
CM24		4822 122 30043	CER. 0.01μF +80%-20% 50V	DK18103310
CM25		4822 126 14166	FILM 330pF 100V ECQ-P	OF15331540
CM26		4822 126 14166	FILM 330pF 100V ECQ-P	OF15331540
CM27		4822 121 70543	FILM 100pF 100V ECQ-P1101J	OF15101540
CM28		4822 121 70543	FILM 100pF 100V ECQ-P1101J	OF15101540
CM29		4822 124 22571	ELECT. 10μF M 50V RA-2	OA10605020
CM30		4822 124 22571	ELECT. 10μF M 50V RA-2	OA10605020
CM31		4822 124 90354	ELECT. 100μF M 16V RA-2	OA10701620
CM32		4822 124 90354	ELECT. 100μF M 16V RA-2	OA10701620
<b>R***</b>			<b>PM04-RESISTORS (COMMON)</b> CARBON FILM FIXED RES. ±5% 1/6W : RM21-RM24 RM27-RM40	
DM21		4822 130 32362	DIODE 1SS176 MA165 1SS254 30V 0.1A	HD20002000
DM22		4822 130 32362	DIODE 1SS176 MA165 1SS254 30V 0.1A	HD20002000

POS. NO	VERS. COLOR	PART NO. (FOR PCS)	DESCRIPTION	PART NO. (MJI)	POS. NO	VERS. COLOR	PART NO. (FOR PCS)	DESCRIPTION	PART NO. (MJI)
QM21		4822 130 42949	TRS. 2SA970	HT109702A0	CS84		4822 122 40617	CER. 0.1µF +80%-20% 50V DC	DD38104010
QM22		4822 130 42949	TRS. 2SA970	HT109702A0	CS85		4822 122 40617	CER. 0.1µF +80%-20% 50V DC	DD38104010
QM23		4822 130 43233	TRS. 2SC2240	HT322402A0	CS86		4822 124 90354	ELECT. 100µF M 16V RA-2	OA10701620
QM24		4822 130 43233	TRS. 2SC2240	HT322402A0	CS87		4822 124 90354	ELECT. 100µF M 16V RA-2	OA10701620
QM25		4822 130 43283	TRS. 2SC2705 O Y	HT327052A0	CS88		4822 122 40617	CER. 0.1µF +80%-20% 50V DC	DD38104010
QM26		4822 130 43283	TRS. 2SC2705 O Y	HT327052A0	CS89		4822 124 22274	ELECT. 4.7µF M 50V RA-2	OA47505020
QM27		4822 130 42999	TRS. 2SA1145 O Y	HT111452A0	CS90		4822 124 22274	ELECT. 4.7µF M 50V RA-2	OA47505020
QM28		4822 130 42999	TRS. 2SA1145 O Y	HT111452A0	CS93	/N,/S	4822 122 31205	CER. 47pF ±5% CH 50V BLK	DD15470300
QM29			UNIT & H-IC NEW HDAM	KH269J1010	CS94	/N,/S	4822 122 31205	CER. 47pF ±5% CH 50V BLK	DD15470300
QM30			UNIT & H-IC NEW HDAM	KH269J1010	CS97		4822 122 30043	CER. 0.01µF +80%-20% 50V	DK18103310
					CS98		4822 122 30043	CER. 0.01µF +80%-20% 50V	DK18103310
					CS99		4822 122 40617	CER. 0.1µF 50V	DD38104010
			<b>PS04-A-FUNC PRE SUPPLY CIRCUIT BOARD KIT PS04-CAPACITORS</b>		<b>***</b>			<b>PS04-CAPACITORS (COMMON)</b> HIGH DIELECTRIC CONSTANT CER. CAPACITOR ±10% 50V : (CG07 CG08(/N,/S)) CQ06 CQ07 (CS37-CS54 CS71 CS72 CS91 CS92 CS95 CS96(/N,/S))	
CG01		4822 124 22274	ELECT. 4.7µF M 50V RA-2	OA47505020					
CG06									
CG09		4822 124 22277	ELECT. 470µF M 16V	OA47701620					
CQ01			JUMPER	75060501P0					
CQ02			JUMPER	75060501P0					
CQ03			JUMPER	75060501P0					
CQ08		4822 122 40617	CER. 0.1µF 50V	DD38104010	RG15		4822 115 90166	FUSE 10Ω ±2% 1/4W	NF02100140
CQ09	/N,/S	4822 122 31205	CER. 47pF ±5% CH 50V BLK	DD15470300	RG96			JUMPER	
CQ10	/N,/S	4822 122 31205	CER. 47pF ±5% CH 50V BLK	DD15470300	RG67			JUMPER	
					<b>***</b>			<b>PS04-RESISTORS (COMMON)</b> CARBON FILM FIXED RES. ±5% 1/6W : RG01-RG14 RG16-RG20 RQ25-RQ30 RS01-RS95 RS98 RS99	
CS01		4822 124 41539	ELECT. 47µF M 16V RA-2	OA47601620					
CS14									
CS15		4822 124 22571	ELECT. 10µF M 16V RA-2	OA10605020					
CS16		4822 124 22571	ELECT. 10µF M 16V RA-2	OA10605020					
CS17		4822 124 90358	ELECT. 22µF M 16V RA-2	OA22601620					
CS18		4822 124 90358	ELECT. 22µF M 16V RA-2	OA22601620	DG01		4822 130 82421	DIODE 1D3 1A 200V	HD20002710
CS19					DG02		4822 130 32362	DIODE 1SS176 MA165 1SS254 30V 0.1A	HD20002000
CS22		4822 122 30043	CER. 0.01µF +80%-20% 50V	DK18103310	DG03		4822 130 32362	DIODE 1SS176 MA165 1SS254 30V 0.1A	HD20002000
CS23		4822 124 90354	ELECT. 100µF M 16V RA-2	OA10701620	DS01		4822 130 32362	DIODE 1SS176 MA165 1SS254 30V 0.1A	HD20002000
CS24		4822 124 90354	ELECT. 100µF M 16V RA-2	OA10701620	DS02		4822 130 32362	DIODE 1SS176 MA165 1SS254 30V 0.1A	HD20002000
CS25									
CS28		4822 124 41539	ELECT. 47µF M 16V RA-2	OA47601620					
CS29		4822 124 22274	ELECT. 4.7µF M 50V RA-2	OA47505020	QG01		9965 000 01359	IC ELE VOL TC9459N	HC10443050
CS30		4822 124 22274	ELECT. 4.7µF M 50V RA-2	OA47505020	QG02		4822 209 83631	IC NJM4558D-D	HC10008090
CS31		4822 124 41539	ELECT. 47µF M 16V RA-2	OA47601620	QG03		4822 130 63634	TRS. 2SA1837 Q Y	HT118372A0
CS32		4822 124 41539	ELECT. 47µF M 16V RA-2	OA47601620	QG04		4822 130 61227	DIG.TRS.	BA10001000
CS33		4822 124 22274	ELECT. 4.7µF M 50V RA-2	OA47505020				DTA114ES UN4111 10K 10K	HT328782A0
CS34		4822 124 22274	ELECT. 4.7µF M 50V RA-2	OA47505020	QG05		4822 130 43818	TRS. 2SC2878 A OR BRANK	HT328782A0
CS35		4822 124 41539	ELECT. 47µF M 16V RA-2	OA47601620	QG06		4822 130 43818	TRS. 2SC2878 A OR BRANK	HT328782A0
CS36		4822 124 41539	ELECT. 47µF M 16V RA-2	OA47601620	QG07		4822 130 61227	DIG.TRS.	BA10001000
CS55	/N,/S	4822 122 31205	CER. 47pF ±5% CH 50V BLK	DD15470300				DTA114ES UN4111 10K 10K	
CS56	/N,/S	4822 122 31205	CER. 47pF ±5% CH 50V BLK	DD15470300	QS01				
CS57		4822 124 90354	ELECT. 100µF M 16V RA-2	OA10701620					
CS58		4822 124 90354	ELECT. 100µF M 16V RA-2	OA10701620					
CS59					QS11		4822 209 83631	IC NJM4558D-D	HC10008090
CS62		4822 122 31205	CER. 47pF ±5% CH 50V BLK	DD15470300	QS12		4822 209 32552	IC LC78211	HC10308030
CS63		4822 122 30043	CER. 0.01µF +80%-20% 50V	DK18103310	QS13		4822 209 32553	IC LC78212	HC10309030
CS64		4822 122 30043	CER. 0.01µF +80%-20% 50V	DK18103310	QS14		4822 209 32553	IC LC78212	HC10309030
CS65					QS15		4822 209 32552	IC LC78211	HC10308030
CS66		4822 122 31205	CER. 47pF ±5% CH 50V BLK	DD15470300	QS16		4822 130 61227	DIG.TRS.	BA10001000
CS70								DTA114ES UN4111 10K 10K	
CS73		4822 122 31205	CER. 47pF ±5% CH 50V BLK	DD15470300	QS17		4822 130 43818	TRS. 2SC2878 A OR BRANK	HT328782A0
CS75					QS18		4822 130 43818	TRS. 2SC2878 A OR BRANK	HT328782A0
CS79	/N,/S	4822 122 31205	CER. 47pF ±5% CH 50V BLK	DD15470300	QS19		4822 130 43818	TRS. 2SC2878 A OR BRANK	HT328782A0
CS80	/N,/S	4822 122 31205	CER. 47pF ±5% CH 50V BLK	DD15470300	QS20		4822 130 43818	TRS. 2SC2878 A OR BRANK	HT328782A0
CS81			JUMPER	75060501P0	QS21		4822 130 61227	DIG.TRS.	BA10001000
CS82			JUMPER	75060501P0	QS22		4822 130 61227	DIG.TRS.	BA10001000
CS83			JUMPER	75060501P0	QS23		4822 130 43818	TRS. 2SC2878 A OR BRANK	HT328782A0
					QS24		4822 130 43818	TRS. 2SC2878 A OR BRANK	HT328782A0

POS. NO	VERS. COLOR	PART NO. (FOR PCS)	DESCRIPTION	PART NO. (MUJ)
QS25		4822 209 83631	IC NJM4558D-D	HC10008090
QS26		4822 130 90347	PHOTO UNIT PC-817	HW10006320
			PHOTO CUPLER 1PAIR	
QS27		4822 130 61227	DIG.TRS. DTA114ES UN4111 10K 10K	BA10001000
			<b>PS04-MISCELLANEOUS</b>	
JS01		4822 265 10729	TERMINAL 8P RCA PIN	YT02080130
JS03		4822 290 61244	TERMINAL 6P RCA PIN	YT02060490
JS04		4822 290 61244	TERMINAL 6P RCA PIN	YT02060490
JS06		4822 290 61244	TERMINAL 6P RCA PIN	YT02060490
JS07			TERMINAL 4P RCA RC-5 MULT	YT02041260
LG01		4822 280 20501	RELAY MR62-24SR 24V	LY20240410
			<b>PU04-FRONT FL DISPLAY SWITCH CIRCUIT BOARD</b>	
			<b>PU04-CAPACITORS</b>	
CU01		4822 126 11558	CER. 0.1μF +80%-20% 50V	DA17104110
CU02		4822 126 11558	CER. 0.1μF +80%-20% 50V	DA17104110
CU03		4822 126 11558	CER. 0.1μF +80%-20% 50V	DA17104110
CU04		4822 124 21901	ELECT. 47μF 6.3V	EJ47600610
CU05				
CU08		4822 126 10364	CER. 100pF ±10%	DA16101110
CU09				
CU12		4822 126 11558	CER. 0.1μF +80%-20% 50V	DA17104110
CU13			CER. 1000pF ±10%	DK16102300
CU20		4822 124 21901	ELECT. 47μF 6.3V	EJ47600610
CU81		4822 122 40588	CER. 0.022μF TP050F223Z	DA17223110
CU82		4822 124 80087	ELECT. 220μF 6.3V	EJ22700610
			<b>PU04-RESISTORS (COMMON)</b>	
			CARBON FILM FIXED RES. ±5% 1/6W : RU01-RU09 RU15-RU19 RU21-RU29 RU31-RU48 RU51-RU63	
			<b>PU04-SEMICONDUCTORS</b>	
DU07		4822 130 11569	L.E.D. HLMF-K200 #2UL RED	HI10005340
DU16				
DU17		4822 130 11363	L.E.D. LT3K44B GREEN 30mA	HI10095320
DU18		4822 130 11569	L.E.D. HLMF-K200 #2UL RED	HI10005340
DU19		4822 130 11569	L.E.D. HLMF-K200 #2UL RED	HI10005340
DU20		4822 130 32362	DIODE 1SS176 MA165 1SS254 30V 0.1A	HD20002000
DU21		4822 130 32362	DIODE 1SS176 MA165 1SS254 30V 0.1A	HD20002000
QU01		4822 209 90244	IC UPD16311GC-AB6 FTD DRIVER	HC10283060
QU02		4822 209 16846	IC NJU3718L	HC10171090
QU03				
QU06		4822 130 41947	TRS. 2SC2458 2SC1740S 2SC3199	HT30001000
QU07		4822 130 63211	DIG.TRS. DTA114TS UN4115 10K	BA10004000
QU81	/K,/N,/S	4822 209 16735	PHOTO UNIT PNA4655M00HB	HW10006020
QU81	/U	4822 209 16157	PHOTO UNIT PNA4655M00XB	HW10005020
			<b>PU04-MISCELLANEOUS</b>	
SU01		9965 000 00373	PUSH SWITCH EVQ11L05R	SP01013370
SU03		9965 000 00373	PUSH SWITCH EVQ11L05R	SP01013370
SU01				
SU17		9965 000 00373	PUSH SWITCH EVQ11L05R H 5MM 160GF	SP01013370
SU19		9965 000 00373	PUSH SWITCH EVQ11L05R	SP01013370
SU20		9965 000 00373	PUSH SWITCH EVQ11L05R	SP01013370

POS. NO	VERS. COLOR	PART NO. (FOR PCS)	DESCRIPTION	PART NO. (MUJ)
SU21		9965 000 00373	PUSH SWITCH EVQ11L05R	SP01013370
SU23		9965 000 00373	PUSH SWITCH EVQ11L05R	SP01013370
SU24		9965 000 00373	PUSH SWITCH EVQ11L05R	SP01013370
SU27		9965 000 00373	PUSH SWITCH EVQ11L05R	SP01013370
SU28		9965 000 00373	PUSH SWITCH EVQ11L05R	SP01013370
SU32		9965 000 01348	ROTARY ENCODER MASTER	SR02010070
SU33		9965 000 01349	ROTARY ENCODER INP. SEL.	SR02010080
VU01		9965 000 01350	FL DISPLAY SVA-12MM20	HQ31201920
			<b>PU74-STANDBY LED CIRCUIT BOARD</b>	
CU71		4822 122 40617	CER. 0.1μF +80%-20% 50V DC RES. 680Ω ±5% 1/6W	DD38104010 GD05681160
RU71		4822 130 11569	L.E.D. HLMF-K200 #2UL RED	HI10005340
DU71				
			<b>PU94-GYRO ENCODER CIRCUIT BOARD</b>	
CU91		4822 122 40617	CER. 0.1μF +80%-20% 50V DC RES. 330Ω ±5% 1/6W RES. 10kΩ ±5% 1/6W RES. 10kΩ ±5% 1/6W	DD38104010 GD05331160 GD05103160 GD05103160
RU91				
RU92				
RU93				
QU91		4822 130 11143	PHOTO UNIT GP1A06 2PHASE PHOTO INTERRUPTER	HW10033320
			<b>PW04-HEADPHONE CIRCUIT BOARD</b>	
CW01		4822 122 30043	CER. 0.01μF +80%-20% 50V	DK18103310
CW02		4822 122 30043	CER. 0.01μF +80%-20% 50V	DK18103310
CW03		4822 122 40617	CER. 0.1μF +80%-20% 50V	DD38104010
CW04		4822 122 40617	CER. 0.1μF +80%-20% 50V	DD38104010
			<b>PW54-HEADPHONE AMP CIRCUIT BOARD</b>	
			<b>PW54-CAPACITORS</b>	
CW51		4822 124 41543	ELECT. 1μF M 50V RA-2	OA10505020
CW52		4822 124 41543	ELECT. 1μF M 50V RA-2	OA10505020
CW53		4822 124 22274	ELECT. 4.7μF M 50V RA-2	OA47505020
CW54		4822 124 22274	ELECT. 4.7μF M 50V RA-2	OA47505020
CW55				
CW58		4822 124 90364	ELECT. 220μF M 16V RA-2	OA22701620
CW59		4822 124 41539	ELECT. 47μF M 16V RA-2	OA47601620
CW60		4822 124 23112	ELECT. 10μF 16V	EQ10601630
			<b>PW54-RESISTORS</b>	
RW63		4822 116 60314	FUSIBLE 10Ω ±5% 1/4W	NH05100140
RW64		4822 116 60314	FUSIBLE 10Ω ±5% 1/4W	NH05100140
RW65		4822 050 21501	150Ω ±5% 1/4W	GG05151140
			<b>PW54-RESISTORS (COMMON)</b>	
			CARBON FILM FIXED RES. ±5% 1/6W : RW51-RE62 RW66 RW68 RW69	
			<b>PW54-SEMICONDUCTORS</b>	
DW51		4822 130 82421	DIODE 1D3 1A 200V	HD20002710
DW52		4822 130 32362	DIODE 1SS176 MA165 1SS254 30V 0.1A	HD20002000
DW53		4822 130 82421	DIODE 1D3 1A 200V	HD20002710
DW54		4822 130 82421	DIODE 1D3 1A 200V	HD20002710
DW55		4822 130 32362	DIODE 1SS176 MA165 1SS254 30V 0.1A	HD20002000
QW51		4822 209 82362	IC NJM-4556	HC10016090
QW52		4822 130 63634	TRS. 2SA1837 O Y	HT118372A0
QW53		4822 130 61227	DIG.TRS. DTA114ES UN4111 10K 10K	BA10001000
QW54		4822 130 61227	DIG.TRS. DTA114ES UN4111 10K 10K	BA10001000

POS. NO	VERS. COLOR	PART NO. (FOR PCS)	DESCRIPTION	PART NO. (MJI)	POS. NO	VERS. COLOR	PART NO. (FOR PCS)	DESCRIPTION	PART NO. (MJI)
LW51		9965 000 01343	<b>PW54-MISCELLANEOU</b> RELAY MR62-12SR	LY20120510	DY01 }		4822 130 80522	<b>PY04-SEMICONDUCTORS</b> CHIP DIODE 1SS300 DAP202U	HZ21006000
CY01		4822 126 11687	<b>PY04-U-COM CIRCUIT BOARD</b> <b>PY04-CAPACITORS</b> CER. 0.1µF +80%-20% CHIP	DK98104200	DY04				
CY02		4822 124 23056	ELECT. 47µF 10V	EJ47601010	QY01		9965 000 01345	MICROPROCESSOR MAIN TMP93CW40DF	HU300JT00F
CY04		5322 126 11583	CER. 0.01µF ±10% B 25V CHIP	DK96103200	QY02		4822 130 41947	TRS. 2SC2458 2SC1740S 2SC3199	HT30001000
CY07		4822 126 13303	CER. 1µF 10V F CHIP	DK98105200	QY03		4822 130 61227	DIG.TRS. DTA114ES UN4111 10K 10K	BA10001000
CY08		5322 126 11583	CER. 0.01µF ±10% B 25V CHIP	DK96103200	QY04		4822 130 42594	DIG.TRS. DTC114ES UN4213 47K 47K	BA20002000
CY10		5322 126 11583	CER. 0.01µF ±10% B 25V CHIP	DK96103200	QY05		4822 130 61227	DIG.TRS. DTA114ES UN4111 10K 10K	BA10001000
CY11		4822 126 11687	CER. 0.1µF +80%-20% CHIP	DK98104200	QY06		4822 130 61227	DIG.TRS. DTA114ES UN4111 10K 10K	BA10001000
CY12		4822 126 11687	CER. 0.1µF +80%-20% CHIP	DK98104200	QY07		4822 130 60588	DIG.TRS. DTC114ES UN4211 10K 10K	BA20001000
CY13		4822 126 11687	CER. 0.1µF +80%-20% CHIP	DK98104200	QY08		4822 130 61227	DIG.TRS. DTA114ES UN4111 10K 10K	BA10001000
CY19		4822 126 11687	CER. 0.1µF +80%-20% CHIP	DK98104200	QY09		4822 130 60588	DIG.TRS. DTC114ES UN4211 10K 10K	BA10001000
CY25		5322 126 11578	CER. 1000pF ±10% B 50V CHIP	DK96102300	QY10		4822 130 61227	DIG.TRS. DTA114ES UN4111 10K 10K	BA20001000
CY26		4822 126 11687	CER. 0.1µF +80%-20% CHIP	DK98104200	QY11		4822 130 41947	TRS. 2SC2458 2SC1740S 2SC3199	HT30001000
CY30		4822 124 11879	BIG ELECT. 1F 5.5V DB-5R5D105	EX10500530	QY12		4822 130 41947	TRS. 2SC2458 2SC1740S 2SC3199	HT30001000
RY01		4822 051 30479	<b>PY04-RESISTORS</b> CHIP 47Ω ±5% 1/16W	NN05470610	QY13		4822 130 60588	DIG.TRS. DTC114ES UN4211 10K 10K	BA20001000
RY02		4822 116 83819	CHIP 18kΩ ±5% 1/16W	NN05183610	QY14		4822 130 61227	DIG.TRS. DTA114ES UN4111 10K 10K	BA10001000
RY03		4822 051 30473	CHIP 47kΩ ±5% 1/16W	NN05473610	QY15		4822 209 12845	IC S-80730SN-DT-X RESET	HC10054530
RY04		4822 051 30473	CHIP 47kΩ ±5% 1/16W	NN05473610	JY01		4822 265 61202	<b>PY04-MISCELLANEOUS</b> JACK HLEM33S-1 33PIN FFC	YJ06011030
RY05		4822 051 30473	CHIP 47kΩ ±5% 1/16W	NN05473610	XY01		9965 000 01346	SERAMIC VIB. CST20.00MXW0H1 20MHZ	FQ02005030
RY06		4822 051 30103	CHIP 10kΩ ±5% 1/16W	NN05103610	CY61		4822 124 41539	<b>PY64-CONNECT</b> <b>CIRCUIT BOARD</b> <b>PY64-CAPACITOR</b> ELECT. 47µF M 16V RA-2	OA47601620
RY11		4822 051 30105	CHIP 1MΩ ±5% 1/16W	NN05105610				<b>PY64-RESISTORS (COMMON)</b> CARBON FILM FIXED RES. ±5% 1/6W : RY61-RY63 RY69 RU91	
RY12		4822 051 30103	CHIP 10kΩ ±5% 1/16W	NN05103610				<b>PY64-SEMICONDUCTORS</b> ZENER DIODE MTZJ3.0B	HD30301000
RY13		4822 051 30103	CHIP 10kΩ ±5% 1/16W	NN05103610				DIODE 1SS176 MA165 1SS254 30V 0.1A	HD20002000
RY14	/K,/S	4822 051 30473	CHIP 47kΩ ±5% 1/16W	NN05473610				DIG.TRS. DTA114ES UN4113 47K 47K	BA10002000
RY15	/N,/U	4822 116 82487	CHIP 0Ω ±5% 1/16W	NN05000610				TRS. 2SC2458 2SC1740S 2SC3199	HT30001000
RY16	/K,/S	4822 051 30473	CHIP 47kΩ ±5% 1/16W	NN05473610	QY61		4822 130 42682	DIG.TRS. DTA114ES UN4111 10K 10K	BA10001000
RY17	/N,/U	4822 116 82487	CHIP 0Ω ±5% 1/16W	NN05000610	QY62		4822 130 41947	TRS. 2SC2458 2SC1740S 2SC3199	HT30001000
RY18		4822 051 30473	CHIP 47kΩ ±5% 1/16W	NN05473610	QY63		4822 130 61227	DIG.TRS. DTA114ES UN4111 10K 10K	BA10001000
RY21		4822 116 82487	CHIP 0Ω ±5% 1/16W	NN05000610	QY64		4822 130 41947	TRS. 2SC2458 2SC1740S 2SC3199	HT30001000
RY22	/N,/S	4822 051 30473	CHIP 47kΩ ±5% 1/6W	NN05473610	QY65		4822 130 60588	DIG.TRS. DTC114ES UN4211 10K 10K	BA20001000
RY23	/K,/U	4822 116 82487	CHIP 0Ω ±5% 1/16W	NN05000610	JY61		4822 265 61202	<b>PY64-MISCELLANEOUS</b> JACK HLEM33S-1 33PIN FFC	YJ06011030
RY24		4822 051 30472	CHIP 4.7kΩ ±5% 1/16W	NN05472610	WY61		4822 321 62312	JUMPER LEAD 33P-200 P1.25 SMCD-33X200	YU33200510
RY25		4822 051 30472	CHIP 4.7kΩ ±5% 1/16W	NN05472610					
RY27		4822 051 30472	CHIP 4.7kΩ ±5% 1/16W	NN05472610					
RY31		4822 116 82487	CHIP 0Ω ±5% 1/16W	NN05000610					
RY32		4822 116 82487	CHIP 0Ω ±5% 1/16W	NN05000610					
RY33		4822 116 82487	CHIP 0Ω ±5% 1/16W	NN05000610					
RY34		4822 116 82487	CHIP 0Ω ±5% 1/16W	NN05000610					
RY35		4822 051 30221	CHIP 220Ω ±5% 1/16W	NN05221610					
RY36		4822 116 82487	CHIP 0Ω ±5% 1/16W	NN05000610					
RY37		4822 116 82487	CHIP 0Ω ±5% 1/16W	NN05000610					
RY38		4822 051 30221	CHIP 220Ω ±5% 1/16W	NN05221610					
RY45		4822 116 82487	CHIP 0Ω ±5% 1/16W	NN05000610					
RY46		4822 116 82487	CHIP 0Ω ±5% 1/16W	NN05000610					
RY56		4822 051 30473	CHIP 47kΩ ±5% 1/16W	NN05473610					
RY57		4822 051 30103	CHIP 10kΩ ±5% 1/16W	NN05103610					
RY58		4822 051 30103	CHIP 10kΩ ±5% 1/16W	NN05103610					
RY59		4822 051 30683	CHIP 68kΩ ±5% 1/16W	NN05683610					
RY60		4822 051 30103	CHIP 10kΩ ±5% 1/16W	NN05103610					
RY64		4822 051 30273	CHIP 27kΩ ±5% 1/16W	NN05273610					
RY65		4822 051 30221	CHIP 220Ω ±5% 1/16W	NN05221610					
RY66		4822 051 30221	CHIP 220Ω ±5% 1/16W	NN05221610					
RY67		4822 051 30103	CHIP 10kΩ ±5% 1/16W	NN05103610					
RY68		4822 051 30273	CHIP 27kΩ ±5% 1/16W	NN05273610					
RY70	/S	4822 051 30103	CHIP 10kΩ ±5% 1/16W	NN05103610					
RY70	/N	4822 051 30103	CHIP 10kΩ ±5% 1/16W	NN05103610					

POS. NO	VERS. COLOR	PART NO. (FOR PCS)	DESCRIPTION	PART NO. (MUJ)	POS. NO	VERS. COLOR	PART NO. (FOR PCS)	DESCRIPTION	PART NO. (MUJ)
			<b>PZ04-S-VIDEO SELECTOR CIRCUIT BOARD</b>						
			<b>PZ04-CAPACITORS</b>						
CX01		4822 124 22571	ELECT. 10µF M 50V RA-2	OA10605020	CZ67		4822 122 30043	CER. 0.01µF +80%-20% 50V	DK18103310
CX02		4822 122 31349	CER. 68pF ±5% 50V	DD15680300	CZ68		4822 124 41537	ELECT. 220µF M 6.3V RA-2	OA22700620
CX03	/K,/N,/S	5322 122 32143	CER. 22pF ±5% 50V	DD15220300	CZ69				
CX04		4822 124 22275	ELECT. 47µF M 10V RA-2	OA47601020	}		4822 122 30043	CER. 0.01µF +80%-20% 50V	DK18103310
CX05		4822 122 30043	CER. 0.01µF +80%-20% 50V	DK18103310	CZ77				
CX06		4822 124 90353	ELECT. 100µF M 10V RA-2	OA10701020	CZ78		4822 124 41537	ELECT. 220µF M 6.3V RA-2	OA22700620
CX07		4822 124 22571	ELECT. 10µF M 50V RA-2	OA10605020	CZ79		4822 122 40617	CER. 0.1µF +80%-20% 50V DC	DD38104010
CX08	/U	4822 126 10362	CER. 22pF ±5% 50V	DA15220110	CZ80		4822 124 22571	ELECT. 10µF M 50V RA-2	OA10605020
CX09		4822 124 22571	ELECT. 10µF M 50V RA-2	OA10605020	CZ81		4822 124 22571	ELECT. 10µF M 50V RA-2	OA10605020
CX10		4822 124 22571	ELECT. 10µF M 50V RA-2	OA10605020	CZ82		4822 124 41544	ELECT. 470µF M 6.3V RA-2	OA47700620
CX11		4822 124 22571	ELECT. 10µF M 50V RA-2	OA10605020	CZ83		4822 124 23112	ELECT. 10µF 16V	EQ10601630
CX12		4822 124 41537	ELECT. 220µF M 6.3V RA-2	OA22700620	CZ84		4822 124 22571	ELECT. 10µF M 50V RA-2	OA10605020
CX13		4822 124 22571	ELECT. 10µF M 50V RA-2	OA10605020	CZ85		4822 124 41544	ELECT. 470µF M 6.3V RA-2	OA47700620
CX14		4822 124 22571	ELECT. 10µF M 50V RA-2	OA10605020	CZ86		4822 124 22571	ELECT. 10µF M 50V RA-2	OA10605020
CX15		4822 124 22571	ELECT. 10µF M 50V RA-2	OA10605020	CZ87		4822 124 22571	ELECT. 10µF M 50V RA-2	OA10605020
CX16					CZ88		4822 124 22571	ELECT. 10µF M 50V RA-2	OA10605020
}		4822 122 30043	CER. 0.01µF +80%-20% 50V	DK18103310	CZ89				
CX19					}		4822 122 30043	CER. 0.01µF +80%-20% 50V	DK18103310
CX20		4822 124 41543	ELECT. 1µF M 50V RA-2	OA10505020	CZ92		4822 124 90353	ELECT. 100µF M 10V RA-2	OA10701020
CX22		4822 122 30043	CER. 0.01µF +80%-20% 50V	DK18103310	CZ94		4822 122 30043	CER. 0.01µF +80%-20% 50V	DK18103310
CX23		4822 125 50384	TRIM. VCT51E 20pF	CT12000200	CZ95		4822 124 90353	ELECT. 100µF M 10V RA-2	OA10701020
CX24		4822 124 41543	ELECT. 1µF M 50V RA-2	OA10505020	CZ97		4822 124 90353	ELECT. 100µF M 10V RA-2	OA10701020
CX25		4822 124 41537	ELECT. 220µF M 6.3V RA-2	OA22700620	CZ98		4822 122 30043	CER. 0.01µF +80%-20% 50V	DK18103310
CX93					<del>C***</del>				
}			JUMPER	75060501P0				<b>PV04-CAPACITORS (COMMON)</b>	
CX96								HIGH DIELECTRIC CONSTANT	
CX97		4822 124 41543	ELECT. 1µF M 50V RA-2	OA10505020	<del>C***</del>			CER. CAPACITOR ±10% 50V :	
CX98		4822 124 22571	ELECT. 10µF M 50V RA-2	OA10605020				CX92 CZ48	
CX99	/U	4822 126 10362	CER. 22PF	DA15220110				PLASTIC FILM CAPACITOR	
CZ01								±5% 50V : CX21	
}		4822 124 22571	ELECT. 10µF M 50V RA-2	OA10605020	▲ RX11		4822 050 21801	<b>PZ04-RESISTORS</b>	
CZ05					RZ06			180Ω ±5% 1/4W	GG05181140
CZ06					}		4822 111 41355	75Ω ±5% 1/6W	GD05750160
}		4822 124 23112	ELECT. 10µF 16V	EQ10601630	RZ15				
CZ10					RZ22			JUMPER	75060501P0
CZ11					RZ23			JUMPER	75060501P0
}		4822 124 22571	ELECT. 10µF M 50V RA-2	OA10605020	RZ24		4822 111 41355	75Ω ±5% 1/6W	GD05750160
CZ25					}				
CZ26		4822 124 23112	ELECT. 10µF 16V	EQ10601630	RZ29				
CZ27					RZ36				
}		4822 124 22571	ELECT. 10µF M 50V RA-2	OA10605020	}				
CZ33					RZ41			JUMPER	75060501P0
CZ34		4822 124 41544	ELECT. 470µF M 6.3V RA-2	OA47700620					
CZ35					<del>R***</del>			<b>PY64-RESISTORS (COMMON)</b>	
}		4822 124 22571	ELECT. 10µF M 50V RA-2	OA10605020				CARBON FILM FIXED RES.	
CZ42								±5% 1/6W : RX01-RX10	
CZ43	/K,/N,/S	4822 126 10362	CER. 22PF ±5%	DA15220110				RX12-RX29 RZ01-RZ05	
CZ44	/U	4822 122 33792	CER. 10PF ±5%	DA15100120				RZ16-RZ20 RZ30-RZ32 RZ34	
CZ45	/K,/N,/S	4822 126 11553	CER. 15PF ±5%	DA15150120				RZ35 RZ42-RZ48 RZ50-RZ54	
CZ46		4822 126 11591	CER. 24pF ±5% CH 50V BLK	DD15240300				RZ56-RZ60 RZ67	
CZ47		4822 126 10362	CER. 22PF ±5%	DA15220110					
CZ49		4822 124 41543	ELECT. 1µF M 50V RA-2	OA10505020					
CZ50		4822 122 40617	CER. 0.1µF +80%-20% 50V	DD38104010	DX01		4822 130 80321	<b>PZ04-SEMICONDUCTORS</b>	
CZ51		4822 124 41537	ELECT. 220µF M 6.3V RA-2	OA22700620				ZENER DIODE 10V	HD31001000
CZ52		4822 124 41543	ELECT. 1µF M 50V RA-2	OA10505020	DZ01		4822 130 32362	RD10ESB2 MTZJ10C 04AZ10-Y	
CZ53								DIODE 1SS176 MA165 1SS254	HD20002000
CZ54					DZ02		4822 130 32362	30V 0.1A	HD20002000
CZ55								DIODE 1SS176 MA165 1SS254	HD20002000
}		4822 124 22571	ELECT. 10µF M 50V RA-2	OA10605020	DZ03		4822 130 32362	30V 0.1A	HD20002000
CZ60					DZ05		4822 130 32362	DIODE 1SS176 MA165 1SS254	HD20002000
CZ61		4822 124 41544	ELECT. 470µF M 6.3V RA-2	OA47700620				30V 0.1A	
CZ62		4822 124 41544	ELECT. 470µF M 6.3V RA-2	OA47700620	DZ19		9965 000 01374	ZENER DIODE 2.7V MTZ2.7B	HD30271000
CZ63		4822 124 41544	ELECT. 470µF M 6.3V RA-2	OA47700620					
CZ65		4822 122 30043	CER. 0.01µF +80%-20% 50V	DK18103310	QX01				
CZ66		4822 124 41537	ELECT. 220µF M 6.3V RA-2	OA22700620	}		4822 130 41947	TRS. 2SC536SP ETC	HT30001000



POS. NO	VERS. COLOR	PART NO. (FOR PCS)	DESCRIPTION	PART NO. (MJI)
QX04				
QX05	/K,/N,/S	4822 130 63211	DIG.TRS. DTA114TS UN4115 10K	BA10004000
QX07		4822 130 60588	DIG.TRS. DTC114ES UN4211 10K 10K	BA20001000
QZ01		9965 000 01371	IC MM1140XF	HC10083550
QZ02		4822 209 32928	IC BA7612N VIDEO SELECTOR	HC10201210
QZ03		9965 000 01371	IC MM1140XF	HC10083550
QZ04		4822 209 32928	IC BA7612N	HC10201210
QZ05		9965 000 01372	IC BA7649A G-1 VIDEO SW	HC10179210
QZ06		4822 209 31527	IC BA7613N	HC10202210
QZ07		9965 000 01372	IC BA7649A G-1 VIDEO SW	HC10179210
QZ08		4822 209 32928	IC BA7612N	HC10201210
QZ09		4822 209 32246	IC NJM2244 3IN SW 75 DRIVER	HC10119090
QZ10		9965 000 01379	IC NJM2263D	HC10198090
QZ11		4822 209 15524	IC OSD LC74781	HC10377030
QZ12	/K,/N,/S	4822 130 61227	DIG.TRS. DTA114ES ETC	BA10001000
QZ13	/K,/N,/S	4822 130 61189	DIG.TRS. DTC114TS UN4215 10K	BA20004000
QZ14	/K,/N,/S	4822 130 61189	DIG.TRS. DTC114TS UN4215 10K	BA20004000
QZ16		4822 209 31527	IC BA7613N	HC10202210
QZ17		4822 209 31527	IC BA7613N VIDEO SELECTOR	HC10202210
QZ18		4822 209 31527	IC BA7613N VIDEO SELECTOR	HC10202210
QZ19		4822 209 32246	IC NJM2244 3IN SW 75 DRIVER	HC10119090
QZ20		9965 000 01379	IC NJM2263D	HC10198090
QZ21		4822 130 60588	DIG.TRS. DTC114ES UN4211 10K 10K	BA20001000
QZ22		9965 000 01379	IC 74HC4051 C-MOS	HC705100B0
QZ23		4822 209 83088	IC NJM2903D DUAL COMPARATOR	HC10022090
QZ24		4822 130 61227	DIG.TRS. DTA114ES ETC	BA10001000
QZ25		4822 130 61227	DIG.TRS. DTA114ES ETC	BA10001000
QZ26		4822 130 41947	TRS. 2SC2458 2SC1740S 2SC3199	HT30001000
QZ27		4822 130 60588	DIG.TRS. DTC114ES UN4211 10K 10K	BA20001000
QZ28		9965 000 01381	IC 74HC32A QUAD 2-INPUT OR GATE	HC703200B0
QZ29		5322 209 71773	IC 74HC132	HC713205D0
			<b>PZ04-MISCELLANEOUS</b>	
JZ01		9965 000 01375	TERMINAL 3P S-TERM GOLD	YT02030550
JZ02		9965 000 01376	TERMINAL 2P S-TERM GOLD	YT02021520
JZ03		9965 000 01375	TERMINAL 3P S-TERM GOLD	YT02030550
JZ04		9965 000 01377	TERMINAL 6P RCA COMP VIDEO GOLD G B R	YT02060640
JZ05		9965 000 01378	TERMINAL 3P RCA COMP VIDEO GOLD G B R	YT02030540
LX01		4822 157 62909	CHOKE COIL 22μH	LC12233800
LZ01		4822 157 62922	CHOKE COIL 33μH J	LC13333800
LZ02		4822 242 73843	EMI FILTER DSS306-91-F-223Z	FM12223010
LZ03		4822 242 73843	EMI FILTER DSS306-91-F-233Z	FM12223010
XZ01	/K,/N,/S	4822 242 73903	CRYSTAL AT49 17.7MHZ	JX17001260
XZ02		4822 242 80288	CRYSTAL AT49 14.31818MHZ	JX14001260