



## Owner's Manual for the 121X series of RV Refrigerators

The letter "X", in the model numbers above, stands for a letter or numeral which means a refrigerator option.



### FIRE OR EXPLOSION HAZARD

If you smell gas:

1. Open Windows
2. Do not attempt to light appliance.
3. Do not touch electrical switches.
4. Extinguish any open flame
5. Shut off fuel supply.
6. Evacuate immediately and call emergency services.

Failure to follow these instructions could result in fire or explosion, which could cause property damage, personal injury, or death.



Improper installation, adjustment, alteration, service or maintenance can cause injury or property damage. Refer to this manual. For assistance or additional information, contact a qualified installer, service agency, or the gas supplier.

### FOR YOUR SAFETY

Do not store or use gasoline or other flammable vapors and liquid in the vicinity of this or any other appliance.

**English**

# Table of Contents

---

For defined warranty terms, please see the one page warranty statement included in the product information packet.

Safety Awareness .....	3
Safety Instructions .....	3
About Your Refrigerator .....	3
Storage volume .....	3
Leveling .....	3
Operation during travel .....	3
Food compartment .....	3
Freezer compartments .....	4
Door handles .....	4
Moveable door seal .....	4
Crispers .....	4
Tall bottle and gallon storage drawer .....	5
Door bins .....	5
Adjustable shelves .....	5
Interior light .....	5
Door alarm .....	6
Moisture reduction heater .....	6
Temperature control system .....	6
Backup operating system .....	6
Temperature switch monitor .....	7
Operating the Refrigerator Controls .....	7
Control panel .....	7
Automatic mode operation .....	8
Removing air from the propane gas supply lines .....	8
Set the controls to automatic mode operation .....	9
Set the controls to manual mode operation .....	9
Effects of High Altitude on Propane Gas Operation .....	10
Effects of Freezing Temperatures on Refrigerator Operation .....	12
Ice Maker (Optional) .....	10
Ice maker operation .....	10
Refrigerator Care Checklist .....	11
Defrosting .....	11
Cleaning .....	12
Interior .....	12
Drip tray .....	12
Metal doors .....	13
Door Sealing .....	13
Refrigerator Storage .....	13
Refrigerator Maintenance Checklist .....	14
Ice Maker Storage (Optional) .....	14
Refrigerator Maintenance .....	15
Gas flame appearance .....	15
Remove and clean the burner orifice .....	16
Remove the Refrigerator .....	16
Reinstall the Refrigerator .....	17
Replacement Parts .....	18
Fault Codes .....	18
Wiring Diagram and Pictorial .....	19
Ice Maker Wiring Pictorial and Diagram (Optional) .....	20
Wiring Diagram and Pictorial - Low Ambient Heater (optional) .....	21

## Safety Awareness

---

Read this manual carefully and understand the contents before you use the refrigerator.

Be aware of possible safety hazards when you see the safety alert symbol on the refrigerator and in this manual. A signal word follows the safety alert symbol and identifies the danger of the hazard. Carefully read the descriptions of these signal words to fully know their meanings. They are for your safety.



This signal word means a hazard, which if ignored, can cause dangerous personal injury, death, or much property damage.



This signal word means a hazard, which if ignored, can cause small personal injury or much property damage.

## Safety Instructions

---



- The storage of flammable materials behind or around the refrigerator creates a fire hazard. Do not use the area behind the refrigerator to store anything, especially flammable materials (gasoline, cleaning supplies, etc.)
- Do not remove the round ground prong from the AC power cord of the refrigerator or the ice maker (optional). Do not use a two prong adapter or an extension cord with either AC power cord.
- A circuit overload can result in an electrical fire if the wires and/or fuses are not the correct size. Use only the wire and fuse sizes as written in the "Installation Manual".
- Incorrect installation, adjustment, change to, or maintenance of this refrigerator can cause personal injury, property damage, or both. Have service and maintenance work done by your dealer or by an Norcold authorized service center.
- Disconnect both the AC and DC power sources before doing any maintenance work on the refrigerator. All service work on this refrigerator must be done by a qualified service technician.
- Do not bypass or change the refrigerator's electrical components or features.
- When you discard an appliance, remove all doors to prevent accidental entrapment and suffocation.
- Do not spray liquids near electrical outlets, connections, or the refrigerator components. Many liquids are electrically conductive and can cause a shock hazard, electrical shorts, and in some cases fire.
- The refrigerator cooling system is under pressure. Do not try to repair or to recharge a defective cooling system. The cooling system contains sodium chromate. The breathing of certain chromium compounds can cause cancer. The cooling system contents can cause severe skin and eye burns, and can ignite and burn with an intense flame. Do not bend, drop, weld, move, drill, puncture, or hit the cooling system.
- At regular intervals, make sure that the refrigerator flue the burner, the vent areas, and the ventilation air pathway between the vents are completely free from any flammable material or blockage. After a period of storage, it is especially important to check these areas for any flammable material or blockage caused by animals.



- The rear of the refrigerator has sharp edges and corners. To prevent cuts or abrasions when working on the refrigerator, be careful and wear cut resistant gloves.

## About Your Refrigerator

### Storage Volume:

This refrigerator is made for storage of foods and frozen food and for making ice.

Total capacity	12.0 cubic feet
Freezer Compartments	3.6 cubic feet total
Fresh Food Compartment	8.4 cubic feet

### Leveling:



The refrigerator is made to operate within 3° off level side-to-side and 6° off level front-to-back (as looking at the front of the refrigerator). Operating it at more than these limits can cause damage to the cooling system and create a risk of personal injury or property damage. Make sure the vehicle is level before you operate the refrigerator.

### Operation during travel:

While the refrigerator should be level when the vehicle is stopped, performance during travel is not usually effected.

### Food compartment:

Start up the refrigerator (see “Operating the Refrigerator Controls”)and let it cool for eight hours before loading with food. If the refrigerator does not start to cool down after about two hours, contact your dealer or a Norcold authorized service center.

For the best cooling performance:

- Let air move freely inside the entire food compartment.
- Do not cover the shelves with plastic, paper, etc.

To decrease the amount of ice that collects on the cooling fins:

- Cover all liquids and moist foods.
- Let all hot foods cool before putting them in the refrigerator.
- Do not open the door any longer than necessary.

### Freezer compartments:

The freezer compartments are made to keep pre-frozen food frozen and not to quick freeze food.

#### NOTICE

*Do not put other items on the ice tray while the water is freezing. The water freezes more rapidly if the thermostat is at the COLDEST position.*

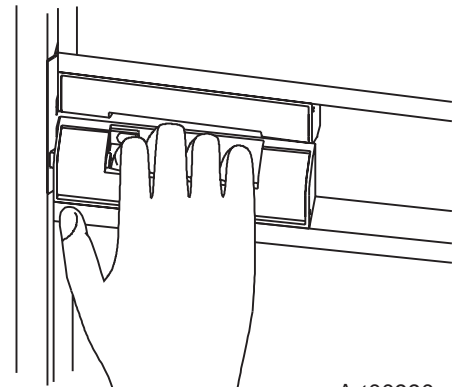
### Door handles:

During travel, the door latch prevents the door from opening. When closing each door, push the door toward the refrigerator until you hear a “click” sound.

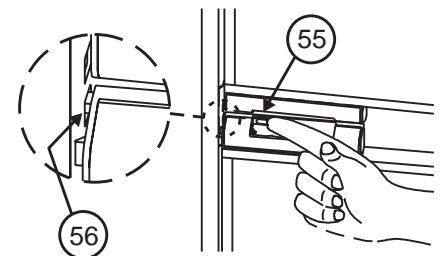
To open each door, pull the handle away from the refrigerator (See Art00990).

During storage, the storage latch prevents the door from completely closing. Use it to prevent odors when the refrigerator is stored for an extended period of time.

To operate the storage latch (see Art00991), open each door about 1/2 inch, hold the door handle in the open position, and push the storage latch [55] into the cutout [56] of the strike plate. Do not use the storage latch as a travel latch because the doors will not be fully closed.



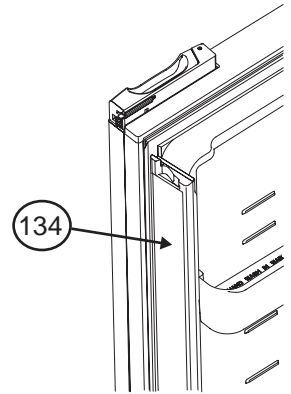
Art00990



Art00991

### Movable door seal:

The movable door seal [134] is located on the left door of the fresh food compartment (See Art01789). It provides the correct seal when both doors of the fresh food compartment are closed. When the left door of the fresh food compartment opens, the movable door seal moves so that it is flat against the edge of the door. To avoid possible damage to the movable door seal, make sure that it is flat against the edge of the door before you close the door.



Art01789

### Crispers:

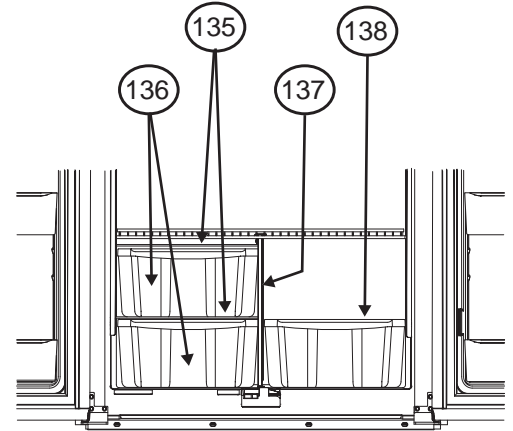
The crispers are located at the bottom left side of the fresh food compartment and supply a storage area to preserve fruit and vegetable freshness. Make sure that you always push the crispers fully in. The glass crisper covers are made so that you can remove them.

#### NOTICE

*Do not wash the crispers in a dishwasher. The crispers are not dishwasher safe.*

To remove the glass crisper covers [135] (See Art01790):

- Remove the crispers [136].
- Remove the screw from the top right side of the crisper support wall [137].
- Remove the screws [41] from the retainer [54] on the left side of the refrigerator (See Art00992).
- Remove the retainer.
- Remove the glass crisper covers.
- Remove the crisper support wall.



Art01790

### Tall bottle and gallon storage drawer:

The tall bottle and gallon storage drawer [138] is located at the bottom right side of the fresh food compartment and supplies a storage area for items such as 2-liter bottles or gallon milk containers (See Art01790). This drawer has a divider which prevents items from moving and/or overturning while the vehicle is in transit. Make sure that you always push the drawer fully in.

The divider fits down into grooves on the inside of the drawer. The divider also fits at the rear of the drawer so that you can use all of the capacity of the drawer.

#### NOTICE

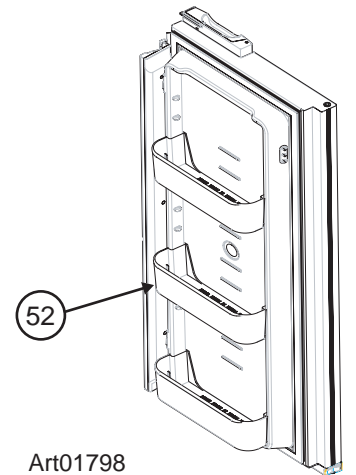
*Do not wash the drawer or divider in a dishwasher. The drawer and divider are not dishwasher safe.*

### Door bins:

You may put the door bins [52] of the freezer and fresh food compartment in a location that best meets your needs (See Art01798). To remove the bins, lift them over the locator and pull them forward. To install the bins, push them onto the locator.

#### NOTICE

*Do not wash the door bins in a dishwasher. The door bins are not dishwasher safe.*



Art01798

## Adjustable shelves:

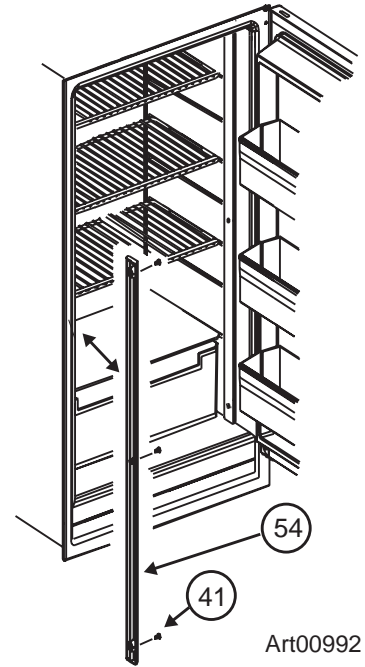
The shelves in the freezer and the fresh food compartment are made so you can remove them or move them.

To remove or move the shelf of the freezer:

- Pull the shelf forward out of the slot.
- Push it fully into the slot that you wish.

To remove or move the shelves of the fresh food compartment:

- Remove the screws [41] from each retainer [54] on the side of the refrigerator (See Art00992).
- Remove both retainers.
- Pull each shelf forward out of the slot.
- Push each fully into the slot that you wish.
- Install both retainers with the screws.



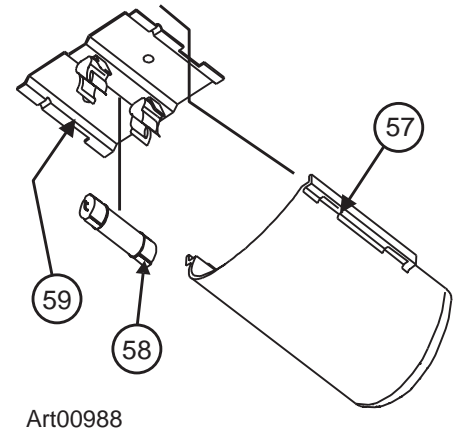
## Interior light:

The interior light is at the top of the fresh food compartment. It comes on when the refrigerator is ON and the door is open. To replace the bulb:

1. Remove the DC power supply wires from the power board at the rear of the refrigerator.
2. Remove the cover [57] by pulling it toward the front of the refrigerator (See Art00988).
3. Remove the light bulb [58] from the holder [59].

**NOTICE** Use only a GE#214-2 bulb as the replacement bulb. This bulb is available at most retail automotive parts centers.

4. Install the replacement bulb.
5. Install the cover.
6. Connect the DC power supply wires to the power board at the rear of the refrigerator.



## Door alarm:

The refrigerator has an alarm to alert you if the fresh food compartment door is not closed. The refrigerator continues to operate, but if the fresh food compartment door is open and the interior light remains on for two minutes:

- An audible alarm starts.
- "dr" appears in the center display.
- The interior light automatically turns off.

Close the door to silence the alarm.

## Moisture reduction heaters:

The refrigerator has heaters that prevent moisture from forming on the center divider between the two doors of the freezer compartment and on the movable door seal. The heaters operate only when the refrigerator is ON and the DC power is sufficient. The heater in the movable door seal also only operates when the left door of the fresh food compartment is closed.

## Temperature control system:

Although the refrigerator is not frost-free, it is made to limit frost on the cooling fins. At regular intervals, the temperature control system automatically melts most of the frost from the cooling fins. The water from the cooling fins drains into a collection cup that is attached to the back of the refrigerator. The heat of the cooling system evaporates the water from the collection cup.

## Backup operating system:

This refrigerator has a backup operating system. The backup operating system allows the refrigerator to continue to cool if the temperature sensor of the refrigerator should fail.

If this failure occurs:

- The refrigerator automatically changes to the backup operating system.
  - When you push the SET TEMP button, the temperature setting flashes in the center display for ten seconds.
  - After the temperature setting flashes, the mode of operation appears in the center display.
- The backup operating system can overfreeze or thaw the contents of the freezer and the fresh food compartment.
  - Make sure the temperatures of the freezer and the fresh food compartment are satisfactory.

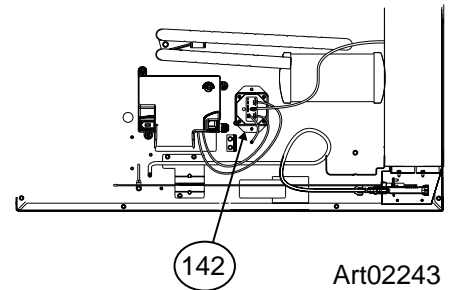
### NOTICE

*If you open the door(s) too often, the temperatures inside the freezer and fresh food compartment do not become stable. Allow the refrigerator to operate for about one hour after each adjustment change before you examine the contents. The number "9" is the coldest temperature setting.*

- If the temperature is too warm, push and hold the SET TEMP button to raise the temperature setting by one number.
- If the temperature is too cold, push and hold the SET TEMP button to lower the temperature setting by one number.
- Have the refrigerator serviced by your dealer or a Norcold authorized Service Center as soon as possible.

## Temperature switch monitor:

The refrigerator is equipped with a temperature switch [142] for overheating protection (See Art02243). A Norcold authorized service technician can determine if this switch has been triggered.



## Operating the Refrigerator Controls

AC Operation	120 volts AC	(108 volts min.-132 volts max.)
Propane gas operation:	Propane gas	(11 inches water column pressure)
	12 volts DC - control voltage	(10.5 volts min. - 15.4 volts max.)

The refrigerator operates on these energy sources. Operation out of these limits can damage the refrigerator electrical components and will void the warranty.

## Control panel:

The refrigerator control panel (See Art01333) is between the freezer compartment and the fresh food compartment. To maintain the operating control functions of the refrigerator, a 12 volt DC power supply is necessary. The refrigerator receives DC power from the 12 volt system of the vehicle; either an auxillary battery, a converter, or the vehicle engine battery.

The ON / OFF button [30] starts and shuts down the refrigerator:

- To turn on the refrigerator, push and release the ON / OFF button.
- To turn off the refrigerator, push the ON / OFF button for one second and then release.

The SET TEMP button [32] controls the temperature adjustment of the freezer and the fresh food compartment. The temperature adjustment that you select does not change if the operation mode of the refrigerator changes.

- Push the SET TEMP button and the temperature setting (the numbers “1-9”) show in the center display [33].
  - The number “9” is the coldest temperature setting.
- Push and hold the SET TEMP button and the temperature setting changes.
- Release the SET TEMP button when the temperature setting that you wish appears.
- After ten seconds, the temperature setting will go out and only a green power ON light remains.

The MODE button [31] controls the operation mode of the refrigerator:

- Push and hold the MODE button and each of the operating modes of the refrigerator show one at a time in the center display.
  - There is one automatic mode of operation and two manual modes of operation.
  - When the mode of operation that you wish shows in the center display, release the MODE button.

#### **NOTICE**

*If you should forget in what mode your refrigerator is operating, push and release the MODE button to show the current mode of operation in the center display for 10 seconds.*

#### **Automatic mode operation:**

When the refrigerator is in AUTO mode, it automatically uses the most efficient energy source that is available for operation. During operation, if a more efficient energy source becomes available, the refrigerator controls change from the current energy source to the more efficient energy source as follows:

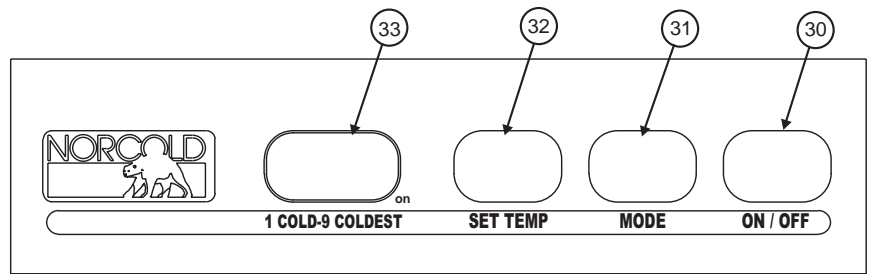
- The first choice is AC operation if 120 volts AC is available to the refrigerator.
- The second choice is propane gas operation if 120 volts AC is not available to the refrigerator.

#### **Removing air from the propane gas supply lines:**

For safety reasons, the burner is made to ignite on propane gas within a specified amount of time. When starting the refrigerator for the first time, after storage, or after replacing propane gas tank, the propane gas supply lines can have air in them. Due to the air in the gas supply lines, the burner may not ignite on propane gas within the specified amount of time.

To remove the air from the propane gas supply lines:

- Make sure that valve of the propane gas tanks(s) is open.
- Push the ON / OFF button to turn the refrigerator on.
- Push and hold the MODE button until the letters “LP” show in the center display.
  - This means that the refrigerator is operating on propane gas.



Art01333



- If the air in the propane gas supply lines prevents the burner from ignition on propane gas, the fault codes “no” and then “FL” will appear in the center display and you will hear an alarm sound.
- Push and hold the ON / OFF button for one second and then release to silence the alarm.
- Push the ON / OFF button to turn the refrigerator on.
  - The refrigerator will start a 30 second trial for ignition.
  - During the 30 second trial for ignition, the refrigerator controls open the gas safety valve and the igniter makes sparks.
- When no fault code shows and only the power indicator remains, this means that the refrigerator is operating on propane gas in the manual mode.
  - At this time, all of the air is removed from the propane gas supply lines and you may select AUTO mode of operation if you wish.
- Depending on how much air may be in the propane gas supply lines, you may need to repeat the 30 second trial for ignition two or three times.
- If the burner does not ignite on propane gas after two or three attempts, stop and consult your local dealer or an authorized Norcold Service Center.

**Set the controls to automatic mode operation:**

- Push the ON / OFF button to turn the refrigerator on.
- Push and hold the MODE button until the letters “AU” show in the center display and then release.
- If 120 volts AC is available to the refrigerator:
  - The letters “AU” and then “AC” show in the center display.
  - After ten seconds, the “AU” and then “AC” go off and only a green power ON light remains.
  - This means that the refrigerator is operating on AC electric.
- If 120 volts AC is not available to the refrigerator:
  - The letters “AU” and then “AC” show in the center display.
  - After five seconds, the “AU” and then “LP” show in the center display.
  - After ten seconds, the “AU” and the “LP” go off and only a green power ON light remains.
  - This means that the refrigerator is operating on propane gas.
- If neither 120 volts AC nor propane gas is available to the refrigerator:
  - The fault codes “no” “AC” and then “no” “FL” show in the center display and an audible alarm sounds.

If an energy source is available to the refrigerator, but is not operating correctly:

- A fault code shows in the center display.
- The refrigerator controls try to change to a less efficient energy source.
- If a less efficient energy source is not available:
  - An audible alarm starts.

- A fault code shows in the center display.
- Refer to the “Fault Codes” section of this manual.

### **Set the controls to manual mode operation:**

- Push the ON / OFF button to turn the refrigerator on.
- Push and hold the MODE button until the letters “AC” show in the center display and then release.
  - After ten seconds, the “AC” goes off and only a green power ON light remains.
- Push and hold the MODE button until the letters “LP” show in the center display and then release.
  - After ten seconds, the “LP” goes off and only a green power ON light remains.

## **Effects of High Altitude on Propane Gas Operation**

---

When you operate the refrigerator on propane gas at altitudes higher than 5500 feet above sea level:

- You may experience reduced cooling performance of the refrigerator.
- You may experience burner outages.

To avoid these possible problems, Norcold recommends that you operate the refrigerator on AC when at altitudes higher than 5500 feet above sea level.

## **Effects of Freezing Temperatures on Refrigerator Operation**

---

A gas absorption refrigerator is not designed to operate in freezing temperatures. If the refrigerator is not equipped for low temperature operation, and if the cooling system of the refrigerator is exposed to temperatures of 32° F. or lower for an extended period of time, the refrigerator operation may be disrupted. The refrigerator operation will resume when the cooling system of the refrigerator warms sufficiently.

If the refrigerator is equipped for low temperature operation, the refrigerator will operate in temperatures down to 0° F.

Disrupted operation of the refrigerator, due to extended exposure to temperatures of 32° F. or lower, and any costs incurred to warm the cooling system of the refrigerator are not covered by the Norcold limited warranty. Please contact your local RV dealer for information about how to resume refrigerator operation or about how to equip your refrigerator for operation in freezing temperatures.

Do not change the installation or the venting of your refrigerator. Refrigerator failures, which are the result of changes to either the refrigerator installation or to the venting, are not covered by the Norcold limited warranty.

## **Ice Maker (Optional)**

---

The ice maker is assembled to the refrigerators at the factory as optional equipment. If the refrigerator does not have a factory installed ice maker, one cannot be added to the refrigerator at a later time.

The ice maker is fully automatic and will operate in ambient temperatures as low as 0° F. To allow operation at temperatures between 0° F and 32° F., the ice maker has a heater on the solenoid water valve and on the water line between the solenoid valve and the ice maker. At temperatures below 0° F, store the ice maker as written in the “Ice Maker Storage” section of this manual.



**The water line heater does not protect the water supply line from the vehicle shut off valve to the solenoid valve on the back of the refrigerator.**

When the freezer temperature of the refrigerator is low enough, the ice maker opens the water solenoid valve and fills the mold. The ice maker ejects the frozen ice into a storage bin. As the storage bin fills, the ice raises the shut-off arm until it turns off the ice maker. As you use the ice and lower the ice level in the storage bin, the shut-off arm also lowers. This turns the ice maker ON and begins the process of making ice.

The ice maker operates on:

- Cold potable water at a pressure of 15 psi - 125 psi.
- 120 Volts AC (108 VAC min. - 132 VAC max.).

### Ice maker operation:

1. Make sure the ice maker AC power cord is plugged into a receptacle.
2. Open the water shut off valve of the vehicle.

**NOTICE** *Make sure that the ice maker arm can move freely and does not touch the frozen foods in the freezer.*

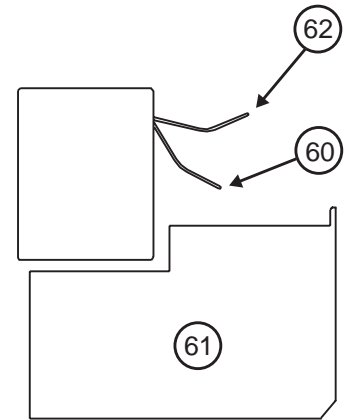
3. Push the ice maker arm down to the ON position [60] (See Art01015).

**CAUTION** **If you operate the refrigerator without connecting the water supply line and/or opening the water shut off valve of the vehicle, make sure the ice maker arm is up in the OFF position.**

4. Allow the freezer to cool enough and ice production will begin to fill the storage bin [61].

**NOTICE** *New plumbing connections and/or impurities in the water supply line after winterizing can cause the first ice to be discolored or have an odd flavor.*

5. To stop the ice maker, push the ice maker arm up to the OFF position [62].



Art01015

## Refrigerator Care Checklist

---

Your refrigerator will give you years of trouble free service if you do these simple checks every three to six months:

- Keep the food compartment and the freezer clean. See "Cleaning".
- Defrost the refrigerator as necessary. See "Defrosting".
- Make sure the door seals correctly. See "Door Sealing".
- Be aware of any cooling changes that are not because of weather, loading, or gas control changes. If changes occur, contact your dealer or service center.
- Make sure the gas supply is propane gas only and not butane or a butane mixture.
- When in propane gas operation, examine the appearance of the flame. See "Gas Flame Appearance".
- Make sure the air flow in the lower intake vent, through the refrigerator coils and condenser, and out the upper exhaust vent is not blocked or decreased.
- Make sure the area behind the refrigerator is clear. Do not use the area behind the refrigerator for storage of anything, especially combustible materials, especially gasoline and other flammable vapors and liquids.

## Defrosting

---

The cooling fins of the refrigerator operate at below freezing temperature and will naturally form frost from humidity, which is always present in the air. The humidity inside the refrigerator increases:

- with higher outside temperature and humidity.
- with the storage of non-sealed fresh foods or warm foods.
- with the amount of time that the door(s) are open.
- with any air leakage into the refrigerator.

Although the refrigerator is not frost-free, it is made to limit frost on the cooling fins. At regular intervals, the temperature control system automatically melts most of the frost from the cooling fins. The water from the cooling fins drains into a collection cup that is attached to the back of the refrigerator. The heat of the cooling system evaporates the water from the collection cup.

It is normal for frost to collect inside the freezer. Excess frost decreases the cooling performance of the refrigerator. Defrost the refrigerator and freezer as necessary:

- Remove all food from the refrigerator.
- Turn the refrigerator OFF.

### **NOTICE**

*Defrosting the refrigerator makes excess water inside the refrigerator.*

- Remove the drain hose from the drip cup at the rear of the refrigerator.
- Put the drain hose into a half-gallon or larger container to capture water.
- Put dry towels (etc.) inside the refrigerator and freezer to absorb melted frost.

### **CAUTION**

**High temperatures can cause the inside surfaces of the refrigerator to warp or melt. Do not use pans of HOT water, a hair dryer, or any other high temperature devices to defrost the refrigerator. Do not use any hard or sharp objects to remove frost. Damage to the interior of the refrigerator can occur.**

- To increase the speed of defrosting, put pans of WARM water in the refrigerator and freezer.
- Remove the wet towels (etc.) and dry the interior.
- Remove the drain hose from the large container and put the drain hose back into the drip cup.
- Remove the large container from the enclosure.
- Start up the refrigerator.
- Allow the refrigerator to cool down.
- Return all food to the refrigerator.

## Cleaning

---

### Interior:

A good time to clean the refrigerator is just after you defrost it. Clean the inside of the refrigerator as often as necessary to avoid food odors:

- Remove all food from the refrigerator.

**NOTICE**

*Do not use abrasive cleaners, chemicals, or scouring pads because they can damage the interior of the refrigerator.*

- Wash the interior with a mild cleaner or a solution of liquid dish detergent and warm water.
- Rinse with a solution of baking soda and clean water.
- Dry with clean cloth.
- Put all food in the refrigerator.

### Drip tray:

To remove and clean the drip tray:

- Remove the screws [41] from the retainers [54] on each side of the refrigerator (See Art00992).
- Remove the retainers.
- Pull the self that is in front of the drip tray forward to remove from the refrigerator
- Make sure that the drip tray is empty of water.
- Pull the drip tray out of the drain hose.
- Pull the drip tray forward to remove from the slots in the refrigerator cabinet.
- Clean the drip tray.
- Push the drip tray back into the slots in the refrigerator cabinet.
- Push the drip tray back into the drain hose.
- Put the wire shelf back in the original position.
- Install the retainers with the screws.

### Metal doors:

To clean the metal doors:

- Wash the doors with a mild cleaner or a solution of liquid dish detergent and warm water.
- Rinse with clean water.
- Dry with clean cloth.

**NOTICE**

*Do not use abrasive cleaners, chemicals, or scouring pads because they can damage the metal doors.*

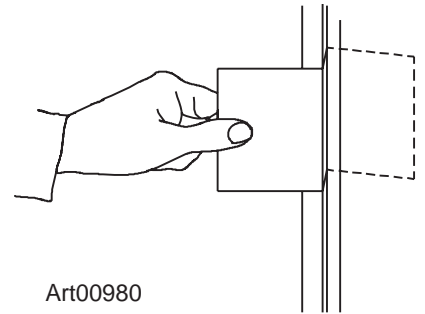
## Door Sealing

---

Check the seal of the doors (See Art00980).

If either door does not seal correctly, excess frost will collect inside the refrigerator. Make sure the doors seal correctly:

- Close each door on a piece of paper that is about the size and thickness of a dollar bill.
- Gently pull the paper.
  - You should feel a slight drag between the gasket and the cabinet.
  - Do this on all four sides of the door.
  - If you do not feel a slight drag on the paper, the door does not seal correctly.
  - Have your dealer or an authorized Norcold Service Center correct the seal of the door.



## Refrigerator Storage

---

Before the refrigerator is stored for an extended (seasonal) period of time:

- Defrost and clean the interior of the refrigerator.
- Close the doors with the storage latch.

If the refrigerator is stored for an extended period of time, before start up:

- Make sure there are no obstructions in the vents, the ventilation air pathway, the burner, the orifice, or the flue area.

## Refrigerator Maintenance Checklist

---

Read and understand the following maintenance sections of this manual.

### NOTICE

*Norcold is not responsible for installation, adjustment, alteration, service, or maintenance performed by anyone other than a qualified RV dealer or a Norcold authorized service center.*

Have a qualified RV dealer or a Norcold authorized service center do these annual safety and maintenance checks:

- Examine the gas supply lines for leaks.
  - Replace or repair if needed.
- Make sure the propane gas pressure is 11 inches water column.
  - Adjust if needed.
- Make sure the combustion seal is complete and intact.
  - Replace or repair it if needed.
- Make sure the burner and the burner orifice are clean.
  - Clean if needed.

- Make sure the electrode is clean and the spark gap is 1/8 - 3/16 inch.
  - Adjust if needed.
- Make sure the AC voltage is 108 -132 volts and the DC voltage is 10.5 - 15.4 volts.

## Ice Maker Storage (Optional)

---

To prepare the ice maker for seasonal storage:

1. Close the vehicle water supply valve to the ice maker.
2. Push the ice maker arm up until it locks into the OFF position.
3. Remove the garden hose adapter from the water solenoid valve.
4. Remove the ice maker water line from the water solenoid valve
  - Do not unwrap the water line heater wires from around the water solenoid valve.
5. Drain all of the water from both the water supply line and the ice maker water line.
6. Put the end of the water supply line, the end of the ice maker water line, and the water solenoid valve each into a clean plastic bag.
7. Use tape to close each plastic bag around the water lines and the water solenoid valve.

To use the ice maker after seasonal storage:



**Do not operate the ice maker when the ambient air temperature is 0° F. or lower. Damage to the water solenoid valve and the water supply line can occur.**

1. Remove the tape and plastic bags from the end of the water supply line, the end of the ice maker water line, and the water solenoid valve.
2. Connect the ice maker water line to the water solenoid valve.
3. Connect the garden hose adapter to the water solenoid valve.
4. Push the ice maker arm down into the ON position.
5. Open the vehicle water supply valve to the ice maker.



*You should discard and not use the first two batches of ice cubes. It will take about three cycles for the ice maker to make fully formed and clean ice cubes.*

## Refrigerator Maintenance

---

### Gas flame appearance:

While in LP GAS operation, examine the appearance of the gas flame:

- Push the TEMP SET button until the number “9” appears in the center display.
- Open the lower intake vent.



**The burner box cover can be hot. Wear gloves to avoid burns.**

- Look at the gas flame [75] (See Art02244).

- The flame should be:

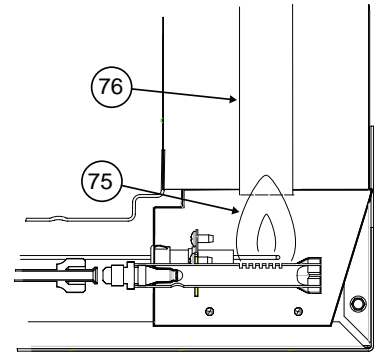
- a darker blue color on the inside of the flame and a lighter blue color on the outside of the flame.
- a constant shape without flickering.

- Contact your dealer or Norcold authorized service center if the flame is:

- yellow
- flickering or changing shape.

- Make sure the flame does not touch the inside of the flue tube [76].

- If the flame touches the inside of the flue tube, contact your dealer or Norcold authorized service center.



Art02244

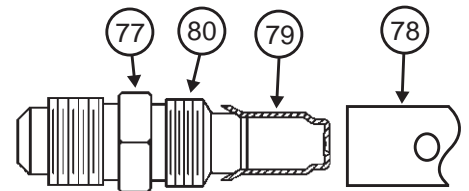
- Close the burner box door.

### Remove and clean the burner orifice:

Your dealer or Norcold authorized service center must do this procedure.

Remove and clean the burner orifice (See Art00956):

- Close the valve at the propane gas tank(s).
- Push the ON / OFF button to shut down the refrigerator.
- Open the lower intake vent.



Art 00956



**The burner box cover can be hot. Wear gloves to avoid burns.**

- Remove the burner box cover by removing the screw(s).



**To avoid possible propane gas leaks, always use two wrenches to loosen and tighten the gas supply line connections.**

- Remove the flare nut from the orifice assembly [77] (See Art00956).
- Remove the orifice assembly from the burner [78].



**Do not try to remove the orifice [79] from the orifice adapter [80] when cleaning. Removal will damage the orifice and seal of the orifice and can cause a propane gas leak. Leaking propane gas can ignite or explode which can result in dangerous personal injury or death. Do not clean the orifice with a pin or other objects.**

- Clean the orifice assembly with air pressure and alcohol only.
- Using a wrench, assemble the orifice assembly to the burner.
- Assemble the flare nut to the orifice assembly.
- Examine all of the connections for gas leaks.
- Assemble the burner box cover.



## Remove the Refrigerator

---

Your dealer or Norcold authorized service center must do this procedure.



**The rear of the refrigerator has sharp edges and corners. To prevent cuts or abrasions when working on the refrigerator, be careful and wear cut resistant gloves.**



**To avoid possible propane gas leaks, always use two wrenches to loosen and tighten the gas supply line connections.**

1. Close the valve at the propane gas tank(s).
2. Remove the black AC power cord and the white ice maker AC power cord (optional) from the receptacle.
3. Remove the DC wiring from the refrigerator:
  - Put a mark on the DC wires so you can put them back in the correct location.
  - Remove the DC fuse or remove the DC wiring from the battery or the converter.
  - Remove the DC wires from the refrigerator.
4. Open the lower intake vent and remove the gas supply line from the bulkhead fitting of the refrigerator.
5. Remove the plastic plugs from the mounting flanges of the refrigerator.
6. Remove the screws from the upper and lower mounting flanges on the front of the refrigerator.
7. Remove the screws from the mounting flange at the rear of the refrigerator.
8. Remove the refrigerator from the opening.

## Reinstall the Refrigerator

---

Your dealer or Norcold authorized service center must do this procedure.



**Make sure the combustion seal is not broken, is completely around the refrigerator mounting flanges, and is between the mounting flanges and the wall of the enclosure. If the combustion seal is not complete, exhaust fumes can be present in the living area of the vehicle. The breathing of exhaust fumes can cause dizziness, nausea, and in extreme cases, death.**

1. Push the refrigerator completely into the enclosure.
2. Install the screws in the mounting flange at the rear of the refrigerator.
3. Install the screws from the upper and then the lower mounting flanges on the front of the refrigerator.
4. Put the plastic plugs into the mounting flanges of the refrigerator.



**To avoid possible propane gas leaks, always use two wrenches to loosen and tighten the LP gas supply line connections.**

5. Attach the gas supply line to the bulkhead fitting of the refrigerator.
6. Open the valve at the propane gas tank(s).



**Do not allow the leak checking solution to touch the electrical components. Many liquids are electrically conductive and can cause electrical shorts and in some cases, fire.**

7. Using a leak detecting solution, examine the gas supply line for leaks.

8. Connect the DC wiring to the refrigerator:

- Connect the DC wires to the refrigerator.
- Install the DC fuse or connect the DC wiring to the battery or the converter.

9. Connect the black AC power cord and the white ice maker AC power cord (optional) to the receptacle.

## Replacement Parts

You may purchase replacement parts through your local RV dealer or authorized Norcold Service Center.

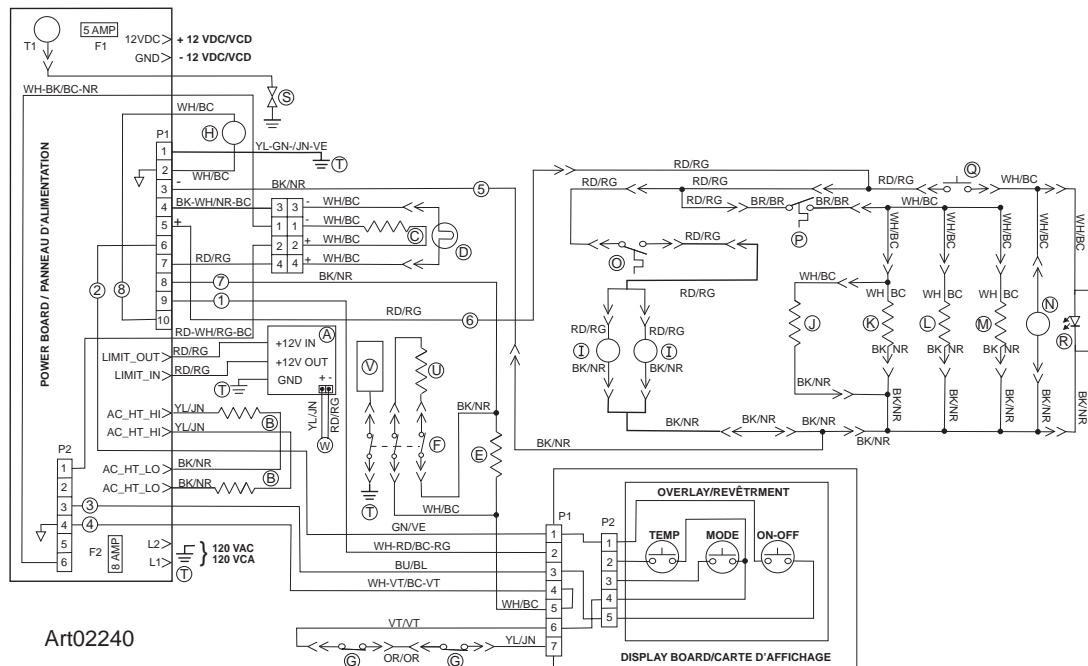
## Fault Codes

Fault Codes	Fault Code Meaning	Corrective Actions
No display.	DC voltage is unavailable to the refrigerator control panel or the refrigerator is OFF.	Check: <ul style="list-style-type: none"> <li>- That the refrigerator is ON.</li> <li>- That the battery charging equipment of the vehicle is operational.</li> <li>- That the AC/DC converter is operational (if applicable).</li> <li>- See your dealer or Norcold authorized service center.</li> </ul>
"dr" Audible alarm also.	The door was open for more than 2 minutes.	Close the door.
"no" "FL" Audible alarm also.	The burner did not ignite or re-ignite.	Check: <ul style="list-style-type: none"> <li>- That the valve of the propane gas tank(s) is open.</li> <li>- That the propane gas is at the correct pressure.</li> <li>- That the manual shut off valve of the refrigerator is open.</li> <li>- That there is no air in the propane gas supply lines. See "Removing air from the propane gas supply lines" section of this manual.</li> <li>- See your dealer or Norcold authorized service center.</li> </ul>
"no" "AC" Audible alarm also.	AC voltage is unavailable to the refrigerator.	Check: <ul style="list-style-type: none"> <li>- That the refrigerator is plugged into a serviceable outlet.</li> <li>- That the fuse or circuit breaker is intact.</li> <li>- That the vehicle generator is operational (if applicable).</li> <li>- See your dealer or Norcold authorized service center.</li> </ul>
"dc" "LO"	DC voltage to the refrigerator control panel is too low.	Check: <ul style="list-style-type: none"> <li>- That the battery charging equipment of the vehicle is operational.</li> <li>- That the AC/DC converter is operational (if applicable).</li> <li>- See your dealer or Norcold authorized service center.</li> </ul>
"LI" "oP"	The high temperature limit switch is open.	This is not owner serviceable. See your dealer or authorized Norcold Service Center.
Temperature number flashes when SET TEMP button is pushed.	The refrigerator is operating on the 'Back Up Operating System'.	This is not owner serviceable. See your dealer or authorized Norcold Service Center.
"AC" "rE" Audible alarm also.	This is a fault within the refrigerator controls.	"This is not owner serviceable. See your dealer or authorized Norcold Service Center.
"AC" "HE" Audible alarm also.	This is a fault within the refrigerator controls.	This is not owner serviceable. See your dealer or authorized Norcold Service Center.
"Sr" Audible alarm also.	This is a fault within the refrigerator controls.	This is not owner serviceable. See your dealer or authorized Norcold Service Center.

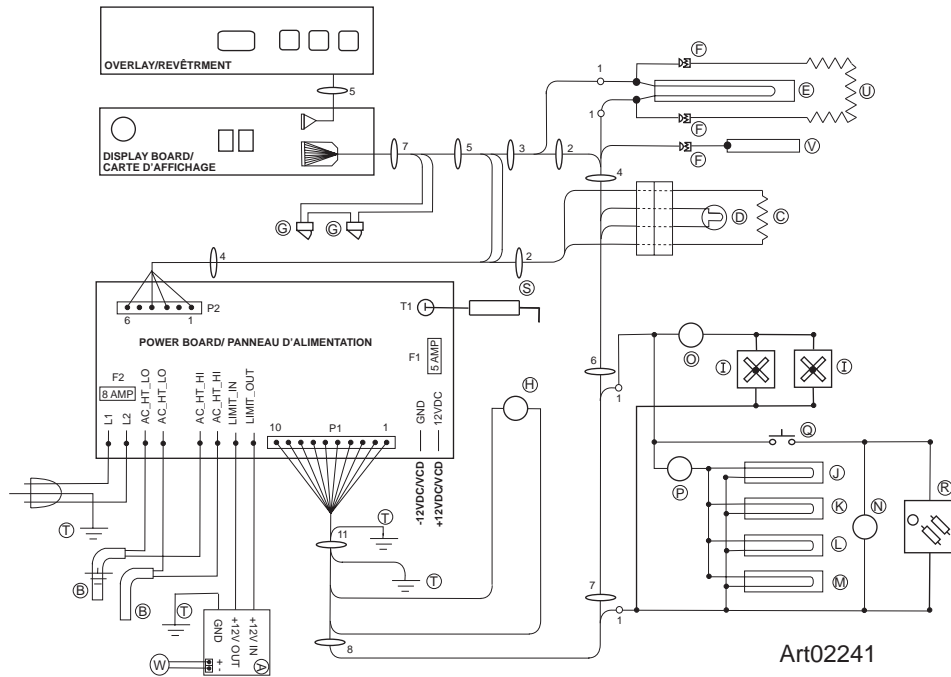
# Wiring Diagram and Pictorial

The parts of the wiring diagram are (See Art02240):  
 The parts of the wiring pictorial are (See Art02241):

Temperature switch .....	A
AC heaters.....	B
Thermister .....	C
Interior light.....	D
Divider heater .....	E
Door contacts .....	F
Door switches.....	G
Gas valve (optional).....	H
Fans.....	I
Ice maker water line heater (optional) .....	J
Water valve heater (optional) .....	K
Dispenser water line heater (optional).....	L
Dispenser water valve heater (optional).....	M
Dispenser valve (optional).....	N
Fan temperature switch .....	O
Temperature switch (optional) .....	P
Dispenser switch (optional) .....	Q
Dispenser light (optional).....	R
Igniter (optional).....	S
Chassis ground.....	T
Movable door seal heater.....	U
Movable door seal housing ground .....	V
Thermocouple.....	W
Switched 12 VDC .....	1
Fused continuous 12 VDC.....	2
Communications.....	3
Display ground.....	4
Auxilliary ground .....	5
Auxilliary +12 VDC .....	6
Divider + 12 VDC.....	7
Gas valve + 12 VDC.....	8
5 Amp DC fuse .....	F1
8 Amp AC fuse.....	F2



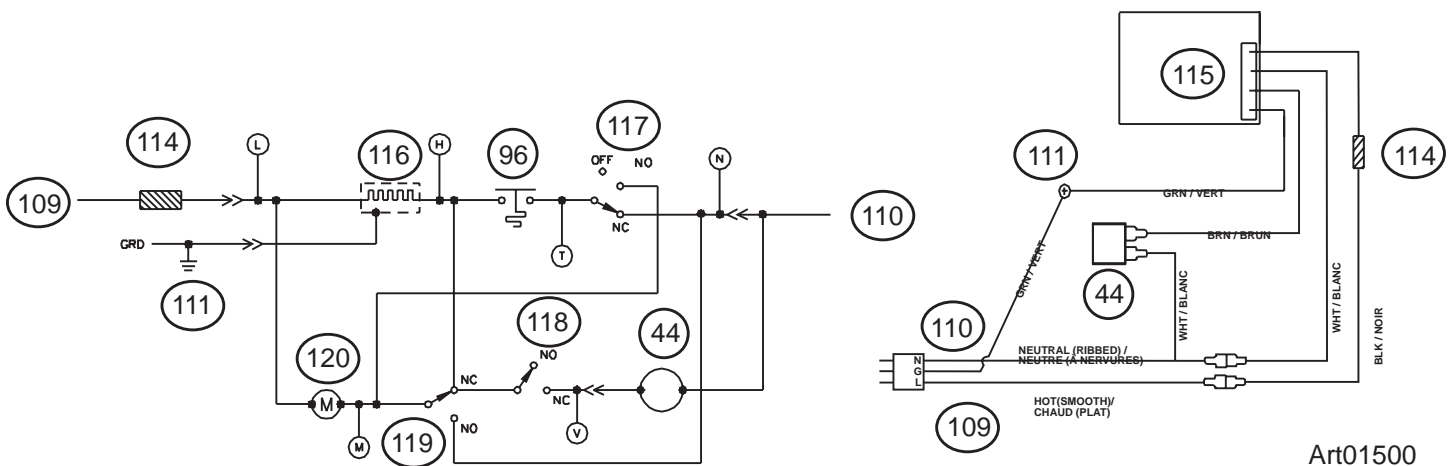
Art02240



## Ice Maker Wiring Pictorial and Diagram (Optional)

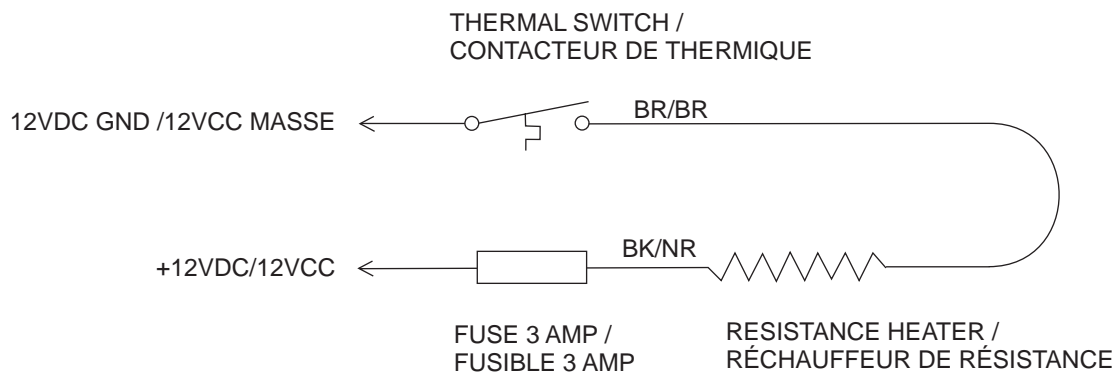
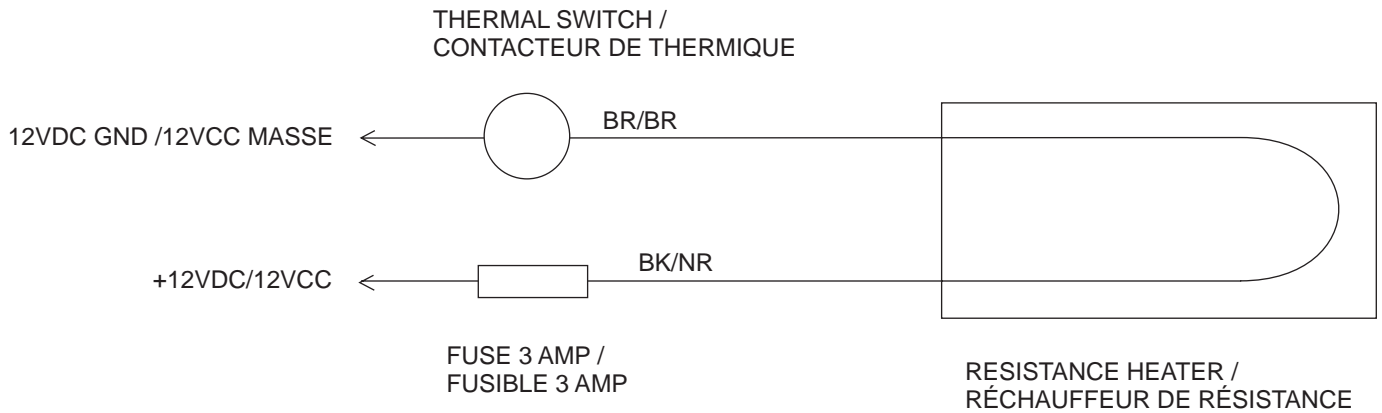
The parts of the ice maker wiring pictorial and diagram are (See Art01500):

120V AC Hot / smooth .....	109
120 VAC Neutral / ribbed .....	110
Ground screw .....	111
Thermal fuse .....	114
Solenoid water valve .....	44
Ice maker .....	115
Mold heater .....	116
Thermostat .....	96
Shut off switch .....	117
Fill switch .....	118
Hold switch .....	119
Motor .....	120



## Wiring Diagram and Pictorial - Low Ambient Heater (optional)

---



Art02312

### NOTICE

This kit supplies DC voltage to the heater any time the ambient temperature is low enough. Extended storage during cold weather will drain the vehicle batteries. To prevent battery drain, remove the 3 amp fuse from the low ambient heater.





## Manuel de l'utilisateur/propriétaire pour la série 121X de réfrigérateurs pour les véhicules de loisir

La lettre « X », dans les numéros de modèle ci-dessus, représente une lettre ou un chiffre correspondant à une option de réfrigérateur.



### RISQUE D'INCENDIE OU D'EXPLOSION

Si vous sentez une odeur de gaz:

1. Ouvrez les fenêtres.
2. Éteignez toute flamme nue..
3. Ne pas toucher les interrupteurs électriques.
4. Éteignez toute flamme nue..
5. Coupez l'alimentation en combustible.
6. Évacuez immédiatement et appelez les services d'urgence

Ne pas suivre ces instructions peut provoquer un incendie ou une explosion, pouvant causer des dommages matériels, des blessures ou la mort.



Une faute d'installation, de réglage, de modification, de réparation ou d'entretien peut causer des préjudices corporels ou matériels. Se reporter à ce manuel. Pour obtenir de l'assistance ou des informations supplémentaires, s'adresser à un installateur qualifié, au service après-vente ou à la compagnie de gaz.

### SÉCURITÉ PERSONNELLE

Ne pas conserver ni utiliser d'essence ou d'autres liquides inflammables, ou dont les vapeurs peuvent s'enflammer, à proximité de cet appareil ou de tout autre appareil électroménager.

**Français**

## Table des matières

---

Pour s'informer des conditions de garantie, se reporter à la page de l'énoncé de garantie qui se trouve dans la documentation relative au produit.

Sens de la prudence.....	3
Consignes de sécurité.....	3
Votre réfrigérateur.....	4
Capacité.....	4
Mise à niveau.....	4
Utilisation pendant le déplacement du véhicule.....	4
Compartiment de conservation des denrées fraîches.....	4
Compartiments basse température.....	4
Poignées de porte.....	4
Joint de porte mobile.....	5
Bacs à légumes.....	5
Bac pour grandes bouteilles.....	5
Casiers de porte.....	5
Clayettes réglables.....	6
Éclairage intérieur.....	6
Alarme de porte.....	6
Système de réduction de l'humidité.....	6
Système de régulation de température.....	7
Système de secours.....	7
Dispositif de surveillance de l'interrupteur de température.....	7
Commandes du réfrigérateur.....	7
Panneau de commande.....	7
Fonctionnement en mode automatique.....	8
Purge de l'air des canalisations d'alimentation en gaz propane.....	8
Allumage en mode automatique.....	9
Allumage en mode manuel.....	10
Effets de l'altitude sur le fonctionnement au gaz propane.....	10
Effets des températures de congélation sur le fonctionnement du réfrigérateur.....	10
Machine à glaçons (option).....	10
Fonctionnement.....	11
Liste des opérations d'entretien courant.....	11
Dégivrage.....	12
Nettoyage.....	13
Intérieur :.....	13
Plateau de dégivrage :.....	13
Portes métalliques :.....	13
Étanchéité des portes.....	14
Période d'arrêt prolongé du réfrigérateur.....	14
Liste des opérations d'entretien.....	14
Stockage de la machine à glaçons (option).....	15
Entretien du réfrigérateur.....	15
Aspect de la flamme.....	15
Dépose et nettoyage de l'orifice du brûleur.....	16
Enlèvement du réfrigérateur.....	17
Remontage du réfrigérateur.....	17
Pièces de rechange.....	18
Codes de défaillance.....	18
Schéma de câblage et schéma électrique.....	19
Schéma de câblage et schéma électrique de la machine à glaçons (option).....	20
Schéma de câblage et schéma électrique - chauffage à basse température ambiante (option).....	21



## Sens de la prudence

---

Lire attentivement ce manuel et bien comprendre les instructions avant d'installer le réfrigérateur.

Être conscient des risques possibles d'accident lorsque le symbole d'alerte apparaît sur le manuel ou est placé sur le réfrigérateur. Un mot suit le symbole et identifie le type de risque. Lire attentivement la définition de ces risques pour bien les comprendre. Ces symboles ont été placés pour des raisons de sécurité.



Ce mot signifie, que si le risque est ignoré, il existe une possibilité de blessure grave, voire de mort ou de dégâts matériels importants.



Ce mot signifie, que si le risque est ignoré, il existe une possibilité de blessure légère ou de dégâts matériels.

## Consignes de sécurité

---



- L'entreposage de produits inflammables derrière ou autour du réfrigérateur crée un risque d'incendie. Ne pas utiliser l'espace à l'arrière du réfrigérateur pour entreposer quoi que ce soit, et, en particulier, des produits inflammables (essence, produits nettoyants, etc.).
- Ne pas enlever la broche ronde de mise à la terre du cordon d'alimentation C.A. du réfrigérateur ni du cordon d'alimentation de la machine à glaçons (en option). Ne pas utiliser d'adaptateur à deux broches ni de rallonge électrique avec l'un ou l'autre des cordons d'alimentation.
- Une surcharge de circuit peut déclencher un feu électrique si les fils et/ou fusibles ne sont pas du calibre approprié. N'utiliser que des fils et des fusibles de calibres indiqués dans le manuel d'installation.
- Une installation incorrecte, un mauvais réglage, la modification ou un entretien défectueux du réfrigérateur peuvent être cause de blessures graves, de dégâts matériels ou des deux. Faire faire tous les travaux d'entretien courant et d'entretien par le concessionnaire ou par un Centre d'entretien autorisé Norcold.
- Couper l'alimentation en courant alternatif et en courant continu avant toute opération d'entretien sur le réfrigérateur. Toutes les interventions sur le réfrigérateur doivent être effectuées par un technicien d'entretien qualifié.
- Ne pas remplacer les composants électriques ni modifier les caractéristiques de l'appareil et ne pas effectuer de dérivation.
- Lorsqu'un appareil ménager est mis au rebut, démonter toutes les portes pour éviter tout risque d'accident et de suffocation.
- Ne pas pulvériser de liquides près des prises électriques, raccords, ou près des éléments constitutifs du réfrigérateur. Beaucoup de liquides sont conducteurs et peuvent causer un choc électrique, des courts-circuits, et éventuellement provoquer un incendie.
- Le système de refroidissement du réfrigérateur est sous pression. Ne pas tenter de réparer ou de recharger un système de refroidissement défectueux. Le système contient du chromate de sodium. L'inhalation de certains composés de chrome peut être cause de cancer. Le produit du système de refroidissement peut causer des brûlures sévères des yeux et de la peau et il s'enflamme et brûle avec une flamme intense. Ne pas tordre, laisser tomber, souder, percer, déplacer, fissurer ni faire d'impact sur le système de refroidissement.
- À intervalles réguliers, vérifier que le conduit de fumée du réfrigérateur, le brûleur, les orifices de mise à l'air libre et le passage d'air de ventilation ne sont pas obstrués et qu'aucun produit inflammable ne se trouve à proximité. Après une période de stockage, il est très important de vérifier ces endroits afin de s'assurer que les animaux n'ont pas laissé de résidus inflammables ou qui peuvent obstruer les éléments en question.



- L'arrière du réfrigérateur comporte des angles et des bords effilés. Pour éviter les coupures et l'érosion de la peau lors des travaux sur le réfrigérateur, être très attentif, et porter des gants résistant aux coupures.

# Votre réfrigérateur

## Capacité :

Ce réfrigérateur a été conçu pour la conservation des denrées fraîches et des surgelés et pour fabriquer des glaçons.

Capacité totale	12 pieds cubiques
Compartiments basse température	3,6 pieds cubiques (total)
Compartiment de conservation des denrées fraîches	8,4 pieds cubiques

## Mise à niveau :



**Cet appareil a été conçu pour fonctionner avec une dénivellation maximale de 3° d'un côté à l'autre et une dénivellation maximale de 6° d'avant en arrière (lorsqu'on regarde l'avant du réfrigérateur). Des dénivellations plus importantes peuvent endommager le système de réfrigération et entraîner un risque de blessures ou de dégâts matériels. S'assurer que le véhicule est de niveau avant d'utiliser le réfrigérateur.**

## Utilisation pendant le déplacement du véhicule :

Le réfrigérateur doit être de niveau lorsque le véhicule est à l'arrêt, mais la performance du réfrigérateur n'est normalement pas affectée lorsque le véhicule se déplace.

## Compartiment de conservation des denrées fraîches :

Mettre en route le réfrigérateur (se reporter à « Commandes du réfrigérateur ») et le laisser refroidir pendant huit heures avant d'entreposer des aliments. Si l'appareil ne produit pas de refroidissement après environ deux heures, entrer en rapport avec le concessionnaire ou un Centre d'entretien autorisé Norcold.

Pour obtenir le meilleur refroidissement possible :

- Assurer une bonne circulation de l'air dans tout le compartiment de conservation.
- Ne pas recouvrir les clayettes de plastique, papier, etc.

Pour diminuer la quantité de givre qui se forme sur les ailettes de refroidissement :

- Recouvrir tous les récipients contenant des liquides et des denrées humides.
- Laisser refroidir les aliments chauds avant de les mettre au réfrigérateur.
- Ne pas laisser la porte ouverte plus longtemps que nécessaire.

## Compartiments basse température :

Les compartiments basse température servent à la conservation des surgelés, mais pas à congeler les aliments.



*Ne rien poser sur le bac à glace pendant la formation des cubes de glace. L'eau se congèle plus rapidement si le thermostat est à la position correspondant à la température COLDEST.*

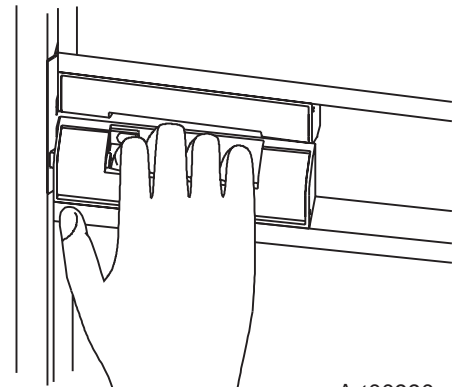
## Poignées de porte :

Pendant le déplacement du véhicule, le dispositif de blocage d'ouverture de porte empêche l'ouverture de la porte. Pour fermer chaque porte, pousser la porte vers le réfrigérateur jusqu'à ce qu'on entende un « clic ».

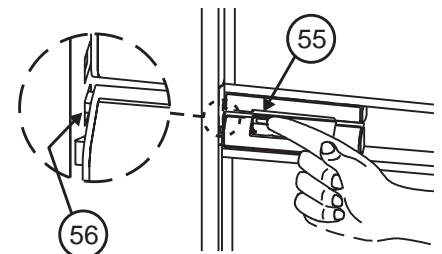
Pour ouvrir chaque porte, tirer sur la poignée (se reporter à Art00990).

Pendant le stockage, le dispositif de blocage d'ouverture de porte empêche la porte de se fermer complètement. Cela est très utile pour éviter les odeurs lorsque le réfrigérateur est arrêté pour une longue période.

Pour utiliser le dispositif de blocage pendant le stockage (se reporter à Art00991), entrouvrir chaque porte d'environ 1/2 pouce, maintenir la porte entrouverte et pousser le verrou [55], dans l'ouverture [56] de la platine. Ne pas utiliser le dispositif de blocage pour le stockage comme verrou pendant le déplacement du véhicule parce que les portes ne seront pas complètement fermées.



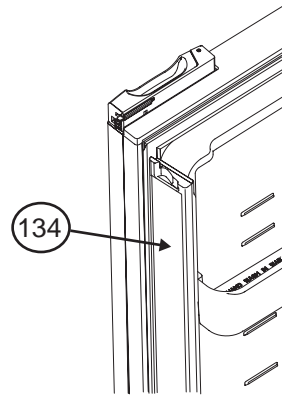
Art00990



Art00991

## Joint de porte mobile :

Le joint de porte mobile [134] se trouve sur la porte gauche du compartiment de conservation des denrées fraîches (se reporter à Art01109). Il assure l'étanchéité requise lorsque les deux portes du compartiment de conservation des denrées fraîches sont fermées. Lorsqu'on ouvre la porte gauche du compartiment de conservation des denrées fraîches, le joint mobile se déplace de sorte qu'il soit à plat contre le rebord de la porte. Pour éviter d'endommager le joint mobile, s'assurer qu'il est à plat contre le rebord de la porte avant de fermer cette dernière.



Art01789

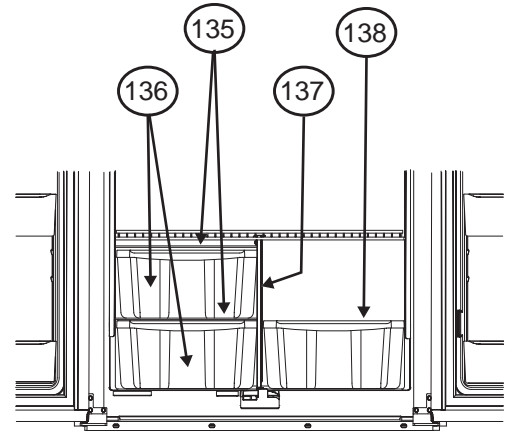
## Bacs à légumes :

Les bacs à légumes sont situés à la partie inférieure gauche du compartiment de conservation des denrées fraîches et permettent de conserver la fraîcheur des fruits et légumes. S'assurer de bien pousser les bacs à fond. Les couvercles en verre sont amovibles.

REMARQUE : Ne pas nettoyer les bacs au lave-vaisselle, ils ne résistent pas au lave-vaisselle.

Pour déposer les couvercles en verre [135] (se reporter à Art01118) :

- Sortir les bacs [136]
- Enlever la vis située à la partie supérieure droite de la cloison de support du bac [137]
- Enlever les vis [41] de la pièce de retenue [54] située du côté gauche du réfrigérateur (se reporter à Art00992).
- Déposer la pièce de retenue.
- Enlever les couvercles en verre.
- Déposer la cloison de support du bac.



Art01790

## Bac pour grandes bouteilles :

Le bac pour grandes bouteilles [138] est situé à la partie inférieure droite du compartiment de conservation des denrées fraîches et permet d'entreposer les bouteilles de deux litres et les contenants de lait de 1 gallon (se reporter à Art01118). Ce bac comporte une cloison de séparation qui évite le mouvement et/ou le renversement des bouteilles pendant le déplacement du véhicule. S'assurer de bien pousser le bac à fond.

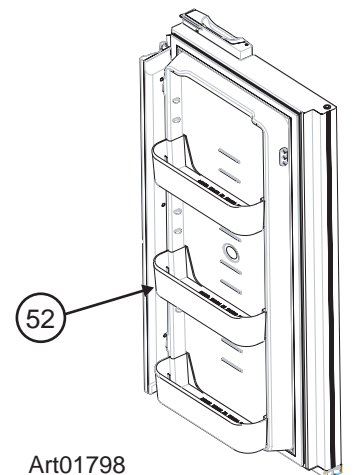
La cloison de séparation se place dans des rainures à l'intérieur du bac. Elle peut également être placée à l'arrière du bac pour pouvoir utiliser toute la capacité offerte par le bac.



*Ne pas laver le bac ni la cloison de séparation au lave-vaisselle, ils ne résistent pas au lave-vaisselle.*

## Casiers de porte :

Les casiers de porte [52] du compartiment de conservation des denrées fraîches et des compartiments basse température peuvent être déplacés pour satisfaire les besoins de chaque utilisateur (se reporter à Art01798). Pour enlever un casier, le soulever au-dessus du repère de positionnement et le tirer vers l'avant. Le pousser en place dans les nouveaux repères de positionnement.



Art01798



*Ne pas nettoyer les casiers au lave-vaisselle, ils ne résistent pas au lave-vaisselle.*

## Clayettes réglables :

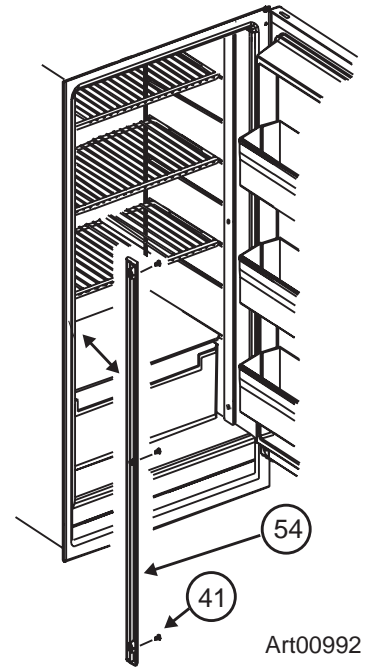
Les clayettes du compartiment de conservation des denrées fraîches et des compartiments basse température sont amovibles et réglables en position.

Pour déposer ou déplacer la clayette des compartiments basse température :

- Sortir la clayette des encoches en la tirant vers l'avant.
- La pousser en place dans les encoches à la position choisie.

Pour déposer ou déplacer les clayettes du compartiment de conservation des denrées fraîches :

- Enlever les vis [41] des pièces de retenue de chaque clayette [54] sur le côté du réfrigérateur (se reporter à Art00992).
- Enlever les deux pièces de retenue.
- Sortir chaque clayette des encoches en la tirant vers l'avant.
- Pousser les clayettes en place à la position choisie.
- Fixer les deux pièces de retenue avec les vis.



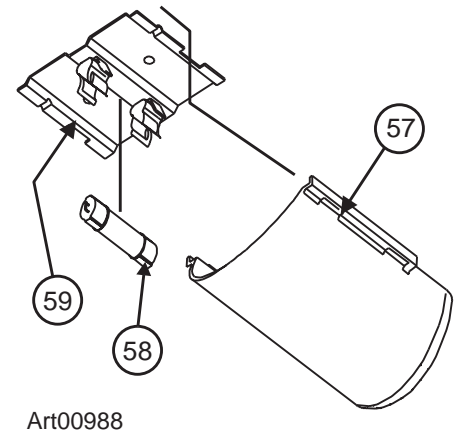
## Éclairage intérieur :

L'éclairage intérieur se trouve à la partie supérieure du compartiment de conservation des denrées fraîches. La lampe s'allume lorsque le réfrigérateur est en route et que la porte est ouverte. Pour remplacer l'ampoule :

1. Débrancher les fils d'alimentation en courant continu du panneau électrique situé à l'arrière du réfrigérateur.
2. Pour déposer le couvercle [57], le pousser vers l'avant du réfrigérateur (se reporter à Art 00988).
3. Enlever l'ampoule [58] de la douille [59].

**AVIS** *N'utiliser qu'une ampoule GE n°214-2 comme ampoule de remplacement. Ce modèle est disponible chez la plupart des revendeurs de pièces de rechange pour l'automobile.*

4. Monter l'ampoule de remplacement.
5. Remettre le couvercle en place.
6. Rebrancher les fils d'alimentation en courant continu au panneau électrique situé à l'arrière du réfrigérateur.



## Alarme de porte :

Le réfrigérateur est équipé d'un système d'alarme qui se déclenche lorsqu'une porte du compartiment de conservation des denrées fraîches n'est pas fermée. Le réfrigérateur continue de fonctionner, mais lorsqu'une porte est ouverte et que l'éclairage intérieur reste allumé pendant deux minutes :

- Une alarme sonore se fait entendre.
- Le code « dr » apparaît sur l'afficheur central.
- L'éclairage intérieur est automatiquement coupé.

Fermer la porte pour arrêter l'alarme.

## Système de réduction de l'humidité :

Le réfrigérateur est équipé d'un système de chauffage qui empêche la formation d'humidité sur la paroi centrale entre les deux portes des compartiments basse température et sur le joint de porte mobile. Ce système de chauffage ne fonctionne que lorsque le réfrigérateur est en route et que l'alimentation en courant continu est suffisante. Le dispositif de chauffage du joint mobile ne fonctionne que lorsque la porte gauche du compartiment de conservation des denrées fraîches est fermée.

## Système de régulation de la température :

Le réfrigérateur, bien qu'il ne soit pas du type sans givre, a été conçu pour limiter l'accumulation de givre sur les ailettes de refroidissement. Le système de régulation de la température fait fondre automatiquement à intervalles réguliers la plus grosse partie du givre accumulé sur les ailettes de refroidissement. L'eau ainsi formée s'écoule dans un bac de récupération fixé à l'arrière du réfrigérateur. La chaleur dégagée par le système de refroidissement évapore l'eau du bac de récupération.

## Système de secours :

Ce réfrigérateur est équipé d'un système de secours. Ce système permet d'assurer le refroidissement en cas de défaillance de la sonde de température de l'appareil.

En cas de défaillance de la sonde de température :

- Le réfrigérateur sélectionne automatiquement le système de secours.
  - Lorsqu'on enfonce le bouton SET TEMP, la sélection de température affichée clignote pendant dix secondes.
  - Le mode de fonctionnement apparaît sur l'afficheur central après le clignotement de la sélection de température.
- Le système de secours peut congeler ou décongeler les denrées se trouvant dans les compartiments basse température et le compartiment de conservation des denrées fraîches.
  - S'assurer que la température dans les compartiments basse température et de conservation des denrées fraîches est satisfaisante.

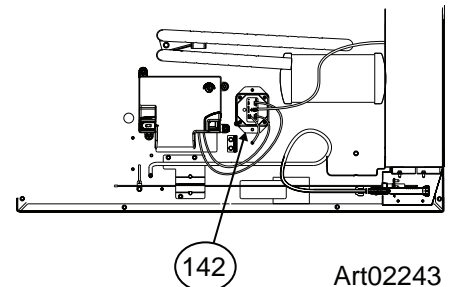
**AVIS**

*La température dans le compartiment basse température et celle dans le compartiment de conservation des denrées fraîches peuvent devenir instables lorsqu'on ouvre la porte trop souvent. Laisser le réfrigérateur fonctionner pendant environ une heure après chaque sélection de température avant d'examiner le contenu. Le numéro «9» correspond à la température la plus basse.*

- Si la température est trop élevée, enfoncez et maintenez enfoncé le bouton SET TEMP pour passer au chiffre supérieur.
- Si la température est trop basse, enfoncez et maintenez enfoncé le bouton SET TEMP pour passer au chiffre inférieur.
- Faire examiner le réfrigérateur par un Centre d'entretien Norcold ou par le concessionnaire dès que possible.

## Dispositif de surveillance de l'interrupteur de température :

Le réfrigérateur est muni d'un interrupteur de température [142] pour la protection contre la surchauffe (se reporter à Art02243). Un technicien d'entretien agréé Norcold peut déterminer si cet interrupteur s'est déclenché.



## Commandes du réfrigérateur

Fonctionnement sur courant alternatif	120 V c.a.	(108 V mini, 132 V maxi)
Fonctionnement au gaz propane	Gaz propane Tension de commande 12 V c.c.	(11 pouces de colonne d'eau) (10,5 V mini, 15,4 V maxi)

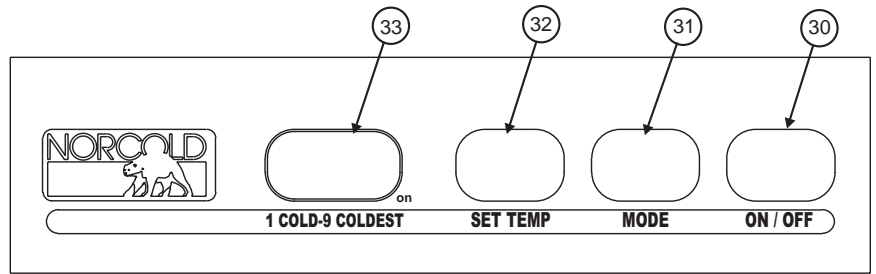
Le réfrigérateur utilise ces sources d'énergie. Le fonctionnement de l'appareil à l'extérieur des limites peut endommager les composants électriques du réfrigérateur et annulera la garantie.

## Panneau de commande :

Le panneau de commande du réfrigérateur (se reporter à Art01333) se trouve entre le compartiment basse température et le compartiment de conservation des denrées fraîches. Les commandes fonctionnent sur courant continu 12 volts. L'alimentation 12 V.c.c. provient du véhicule, c'est à dire d'une batterie auxiliaire, d'un convertisseur ou de la batterie du moteur du véhicule.

Le bouton ON/OFF [30] sert pour la mise en route et l'arrêt du réfrigérateur :

- Enfoncer, puis relâcher le bouton ON/OFF pour mettre le réfrigérateur en route.
- Enfoncer le bouton ON/OFF pendant une seconde, puis le relâcher pour arrêter le réfrigérateur.



Art01333

Le bouton SET TEMP [32] contrôle la température du compartiment basse température et du compartiment de conservation des denrées fraîches. Le réglage de température ne change pas lorsque le mode de fonctionnement du réfrigérateur change.

- Enfoncer le bouton SET TEMP, la température choisie (nombre compris entre « 1 » et « 9 » apparaît sur l'afficheur central [33].
  - Le nombre « 9 » correspond à la température la plus basse.
- Enfoncer et maintenir enfoncé le bouton SET TEMP pour changer le réglage de la température.
- Relâcher le bouton SET TEMP lorsque le nombre correspondant à la température choisie apparaît.
- L'affichage de la température s'éteint après dix secondes et seul le voyant vert ON de mise sous tension reste allumé.

Le bouton MODE [31] sélectionne le mode de fonctionnement du réfrigérateur :

- Enfoncer et maintenir enfoncé le bouton MODE pour faire défiler les différents modes de fonctionnement l'un après l'autre sur l'afficheur central.
  - Il existe un mode de fonctionnement automatique et deux modes manuels.
  - Relâcher le bouton MODE lorsque le mode de fonctionnement choisi apparaît sur l'afficheur central.



*En cas d'oubli du mode de fonctionnement du réfrigérateur, enfoncer puis relâcher le bouton MODE. Le mode de fonctionnement actuel sera affiché pendant 10 secondes.*

### Fonctionnement en mode automatique :

Lorsque le réfrigérateur fonctionne en mode automatique, il sélectionne automatiquement la source d'énergie la plus efficace disponible. En cours d'utilisation, si une source d'énergie plus efficace devient disponible, les commandes du réfrigérateur passent de la source actuelle à la source plus efficace de la façon suivante :

- Le premier choix est fonctionnement sur courant alternatif si du 120 Vc.a. est disponible pour le réfrigérateur.
- Le deuxième choix est fonctionnement au gaz propane si du 120 Vc.a. n'est pas disponible pour le réfrigérateur.

### Purge de l'air des canalisations d'alimentation en gaz propane :

Pour des raisons de sécurité, le brûleur est conçu pour enflammer le gaz dans un temps donné. À la mise en route initiale du réfrigérateur, après stockage, ou après remplacement du réservoir de gaz propane, les canalisations d'alimentation en gaz peuvent contenir de l'air. La présence d'air dans les canalisations peut empêcher l'allumage du gaz dans le temps spécifié.

Pour purger l'air des canalisations d'alimentation en gaz propane :

- S'assurer que tous les robinets des réservoirs de gaz sont ouverts.
- Enfoncer le bouton ON/OFF pour mettre le réfrigérateur en route.
- Enfoncer et maintenir enfoncé le bouton MODE jusqu'à ce que les lettres « LP » apparaissent sur l'afficheur central.
  - Cela veut dire que le réfrigérateur fonctionne au gaz propane

- Si l'air emprisonné dans les canalisations d'alimentation en gaz interdit l'allumage du brûleur, les codes de défaillance « no », puis « FL » apparaîtront sur l'afficheur central et une alarme sonore se fera entendre.
- Enfoncer et maintenir enfoncé le bouton ON/OFF pendant une seconde, puis le relâcher pour arrêter l'alarme.
  - Enfoncer le bouton ON/OFF pour mettre le réfrigérateur en route.
  - Le réfrigérateur commence une séquence d'allumage de 30 secondes.
  - Pendant cette séquence de 30 secondes, les commandes ouvrent la soupape de sûreté du gaz et l'allumeur produit des étincelles.
- Lorsque l'afficheur n'indique aucun code de défaillance et que seul le voyant de mise sous tension est allumé, cela veut dire que le réfrigérateur fonctionne au gaz propane en mode manuel.
  - Tout l'air emprisonné dans les canalisations d'alimentation en gaz est maintenant purgé et le mode AUTO peut être sélectionné si désiré.
- Il peut s'avérer nécessaire de recommencer la séquence de 30 secondes deux ou trois fois suivant la quantité d'air emprisonnée dans les canalisations d'alimentation en gaz.
- Si le brûleur n'enflamme pas le gaz propane après deux ou trois tentatives, ne pas insister et consulter le concessionnaire local ou un Centre d'entretien autorisé Norcold.

### **Allumage en mode automatique :**

- Enfoncer le bouton ON/OFF pour mettre le réfrigérateur en route.
- Enfoncer et maintenir enfoncé le bouton MODE jusqu'à ce que les lettres « AU » apparaissent sur l'afficheur central, puis relâcher le bouton.
- Si du 120 V c.a. est disponible pour le réfrigérateur :
  - Les lettres « AU », puis « AC » apparaissent sur l'afficheur central.
  - Les codes « AU », puis « AC » s'éteignent après dix secondes et seul le voyant vert ON de mise sous tension restera allumé.
  - Cela veut dire que le réfrigérateur fonctionne sur courant alternatif.
- Si du 120 V c.a. n'est pas disponible pour le réfrigérateur :
  - Les lettres « AU », puis « AC » apparaissent sur l'afficheur central.
  - Les lettres « AU », puis « LP » apparaissent cinq secondes plus tard.
  - Les codes « AU », puis « LP », s'éteignent après dix secondes et seul le voyant vert ON de mise sous tension restera allumé.
  - Cela veut dire que le réfrigérateur fonctionne au gaz propane.
- Si ni du 120 V c.a. ni du gaz propane ne sont disponibles pour le réfrigérateur :
  - Les codes de défaillance « no » « AC », puis « no » « FL » apparaissent sur l'afficheur central et une alarme sonore se fait entendre.

Si une source d'énergie est disponible pour le réfrigérateur, mais est déficiente :

- Un code de défaillance apparaît sur l'afficheur central.
- Les commandes du réfrigérateur essaient de passer à une source d'énergie moins efficace.
- Si une source d'énergie moins efficace n'est pas disponible :
  - Une alarme sonore se fait entendre.

- Un code de défaillance apparaît sur l'afficheur central.
- Se reporter à la section « Codes de défaillance » de ce manuel.

### **Allumage en mode manuel :**

- Enfoncer le bouton ON/OFF pour mettre le réfrigérateur en route.
- Enfoncer et maintenir enfoncé le bouton MODE jusqu'à ce que les lettres « AC » apparaissent sur l'afficheur central, puis relâcher le bouton.
  - Les lettres « AC » s'éteindront après dix secondes et seul le voyant vert ON de mise sous tension restera allumé.
- Enfoncer et maintenir enfoncé le bouton MODE jusqu'à ce que les lettres « LP » apparaissent sur l'afficheur central, puis relâcher le bouton.
  - Les lettres « LP » s'éteindront après dix secondes et seul le voyant vert ON de mise sous tension restera allumé.

### **Effets de l'altitude sur le fonctionnement au gaz propane**

---

Lorsque le réfrigérateur est utilisé en fonctionnement au gaz propane à une altitude supérieure à 5500 pieds au-dessus du niveau de la mer :

- La capacité de refroidissement du réfrigérateur peut se trouver affectée.
- Le brûleur peut s'éteindre.

Pour éviter ces problèmes potentiels, Norcold recommande de faire fonctionner le réfrigérateur sur courant alternatif à des altitudes supérieures à 5500 pieds au-dessus du niveau de la mer.

### **Effets des températures de congélation sur le fonctionnement du réfrigérateur**

---

Les réfrigérateurs à absorption de gaz ne sont pas conçus pour fonctionner à des températures de congélation. Si le réfrigérateur n'est pas équipé pour fonctionner à basse température et que son système frigorifique est exposé à des températures inférieures ou égales à 32 °F pendant une période prolongée, son fonctionnement risque d'être perturbé. Son fonctionnement reprendra alors une fois son système frigorifique suffisamment réchauffé.

Si le réfrigérateur est équipé pour fonctionner à basse température, il peut fonctionner à des températures allant jusqu'à 0 °F.

Les perturbations du fonctionnement du réfrigérateur dues à une exposition prolongée à des températures inférieures ou égales à 32 °F et les coûts subis pour réchauffer le système frigorifique du réfrigérateur ne sont pas couverts par la garantie limitée Norcold. Veuillez vous adresser à votre concessionnaire local de véhicules de loisirs pour obtenir les renseignements nécessaires sur la reprise du fonctionnement du réfrigérateur ou sur la façon d'équiper votre réfrigérateur en vue de son fonctionnement à des températures de congélation.

Ne pas modifier l'installation ni la ventilation du réfrigérateur. Les pannes de réfrigérateur dues à des modifications apportées à l'installation ou à la ventilation du réfrigérateur ne sont pas couvertes par la garantie limitée de Norcold.

### **Machine à glaçons (option)**

---

La machine à glaçons est installée à l'usine comme équipement en option. Il n'est pas possible d'installer une machine à glaçons sur le réfrigérateur une fois l'appareil sorti d'usine.

La machine à glaçons est entièrement automatique et fonctionne à des températures ambiantes aussi basses que 0° F. Pour permettre le fonctionnement à des températures comprises entre 0° F et 32° F, la machine à glaçons est équipée d'un dispositif de réchauffage situé sur l'électrovalve d'eau et sur la canalisation d'eau entre l'électrovalve et la machine à glaçons. Si la température descend sous 0° F, il faut stocker la machine à glaçons en suivant les instructions de la section « Stockage de la machine à glaçons » de ce manuel.



**ATTENTION : Le dispositif de réchauffage situé sur la canalisation d'eau ne protège pas la canalisation d'alimentation en eau entre le robinet d'arrêt du véhicule et l'électrovalve située à l'arrière du réfrigérateur.**



Lorsque la température du compartiment basse température est suffisamment basse, la machine ouvre l'électrovalve d'eau et l'eau remplit le moule. La machine éjecte ensuite les glaçons dans un bac de stockage. Les glaçons relèvent le bras d'arrêt de production de glaçons jusqu'à ce que la machine interrompe la fabrication des glaçons. Le bras d'arrêt s'abaisse au fur et à mesure de l'utilisation des glaçons jusqu'à ce que la machine reprenne la fabrication des glaçons.

Besoins de la machine à glaçons :

- Eau potable froide à une pression comprise entre 15 et 125 lb/po<sup>2</sup>.
- 120 V c.a. (108 V mini – 132 V maxi).

### Fonctionnement :

1. S'assurer que le cordon d'alimentation en courant alternatif de la machine à glaçons (blanc) est branché dans une prise de courant.
2. Ouvrir le robinet d'arrêt d'eau du véhicule.

**AVIS** S'assurer que le bras de la machine à glaçons peut se déplacer librement et n'entre pas en contact avec les surgelés du compartiment basse température.

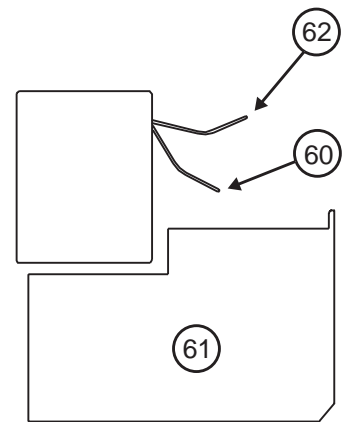
3. Placer le bras en position basse (ON) [60] (se reporter à Art01015).

**ATTENTION** Si le réfrigérateur est utilisé sans que la canalisation d'alimentation en eau soit raccordée et/ou que le robinet d'arrêt d'eau du véhicule soit ouvert, s'assurer que le bras de la machine à glaçons est à la position OFF.

4. Laisser le compartiment basse température refroidir suffisamment et la production de glace pourra démarrer pour remplir le bac de stockage [61].

**AVIS** Lorsque la canalisation d'eau vient d'être installée ou suite à la présence d'impunités après hivernisation, les glaçons peuvent être décolorés ou avoir un goût bizarre.

5. Pour arrêter la production des glaçons, placer le bras à la position OFF [62].



Art01015

## Liste des opérations d'entretien courant

Le réfrigérateur peut fonctionner pendant de nombreuses années sans aucun problème si les opérations simples suivantes sont effectuées tous les trois à six mois.

- Conserver le compartiment de conservation des denrées fraîches et le compartiment basse température en bon état de propreté. Se reporter à « Nettoyage ».
- Dégivrer le réfrigérateur suivant besoin. Se reporter à « Dégivrage ».
- S'assurer que l'étanchéité de la porte est satisfaisante. Se reporter à « Étanchéité des portes ».
- Surveiller les changements de qualité du refroidissement qui ne sont pas la conséquence des conditions météorologiques, du chargement ou du débit du gaz. Dans ce cas, entrer en rapport avec le concessionnaire ou avec un Centre d'entretien autorisé Norcold.
- S'assurer que le gaz utilisé est du propane et non du butane ou un mélange de butane.
- En fonctionnement au gaz propane, examiner l'aspect de la flamme. Se reporter à « Vérification de l'aspect de la flamme ».
- S'assurer que la circulation de l'air de la prise d'air inférieure, autour du serpentin du réfrigérateur et du condenseur et par le dispositif d'évacuation supérieur n'est pas ralentie ni bloquée.
- S'assurer que l'espace à l'arrière du réfrigérateur n'est pas encombré. Ne pas utiliser l'espace à l'arrière du réfrigérateur pour entreposer des matériaux inflammables, en particulier de l'essence et d'autres liquides et vapeurs inflammables.

## Dégivrage

---

Les ailettes de refroidissement du réfrigérateur fonctionnent à des températures de gel et il est normal qu'au contact de l'humidité de l'air elles se couvrent de givre. L'humidité à l'intérieur du réfrigérateur augmente :

- proportionnellement à la température et à l'humidité extérieures.
- lorsque des aliments frais non recouverts ou des aliments encore chauds sont placés dedans.
- d'autant plus que la ou les portes sont laissées longtemps ouvertes.
- si le réfrigérateur présente des fuites d'air.

Bien qu'il ne s'agisse pas d'un modèle sans givre, ce réfrigérateur est conçu pour limiter l'accumulation de givre sur les ailettes de refroidissement. À intervalles réguliers, le système de commande de température dégivre automatiquement les ailettes de refroidissement. L'eau qui en résulte tombe dans une cuve fixée au dos du réfrigérateur. L'eau de la cuve s'évapore ensuite sous l'effet de la chaleur du système frigorifique.

Il est normal que du givre s'accumule à l'intérieur du congélateur. Un réfrigérateur trop givré risque de ne pas donner d'aussi bons résultats. Dégivrer le réfrigérateur et le congélateur aussi souvent que nécessaire :

- Sortir tous les aliments du réfrigérateur.
- Éteindre le réfrigérateur.

 *Le dégivrage rend beaucoup d'eau dans le réfrigérateur.*

- Retirer le tuyau de vidange de la cuvette d'égouttage, à l'arrière du réfrigérateur.
- Placer le tuyau de vidange dans un récipient d'au moins un demi-gallon pour récupérer l'eau.
- Placer des serviettes sèches (etc.) à l'intérieur du réfrigérateur et du congélateur pour absorber le givre fondu.



**Des températures élevées peuvent entraîner la distorsion ou la fonte des surfaces intérieures du réfrigérateur. Ne pas utiliser de récipients d'eau TRÈS CHAUDE, de sèche-cheveux ou d'autres dispositifs à haute température pour dégivrer le réfrigérateur. Ne pas employer d'objets durs ou tranchants pour enlever le givre. L'intérieur du réfrigérateur risquerait d'être endommagé.**

- Pour obtenir un dégivrage plus rapide, placer des récipients d'eau CHAUDE dans le réfrigérateur et dans le congélateur.
- Enlever les serviettes humides (etc.) et sécher l'intérieur.
- Retirer le tuyau de vidange du grand récipient et le replacer dans la cuvette d'égouttage.
- Retirer le grand récipient de l'enceinte.
- Remettre le réfrigérateur en route.
- Laisser le réfrigérateur se refroidir.
- Remettre tous les aliments dans le réfrigérateur.

## Nettoyage :

---

### Intérieur :

Il est recommandé de nettoyer le réfrigérateur après le dégivrage. Nettoyer l'intérieur du réfrigérateur aussi souvent que cela est nécessaire pour éviter les odeurs.

- Vider le réfrigérateur.



*Ne pas utiliser de produits de nettoyage abrasifs, de produits chimiques ni de tampons à récurer car ils peuvent endommager l'intérieur du réfrigérateur.*

- Nettoyer l'intérieur avec une solution d'eau tiède et de détergent liquide pour vaisselle.
- Rincer avec une solution d'eau claire et de bicarbonate de soude.
- Sécher avec un chiffon propre.
- Remplir le réfrigérateur.

### Plateau de dégivrage :

Pour retirer le plateau de dégivrage et pour le nettoyer, procéder comme suit :

- Retirer les vis [41] des dispositifs de retenue [54], de chaque côté du réfrigérateur (voir Art00992).
- Enlever les dispositifs de retenue.
- Tirer vers l'avant la clayette qui se trouve devant le plateau de dégivrage pour la sortir du réfrigérateur
- S'assurer que le plateau de dégivrage ne contient plus d'eau.
- Retirer le plateau de dégivrage du tuyau de vidange.
- Tirer sur le plateau de dégivrage pour le sortir des fentes de la caisse du réfrigérateur.
- Nettoyer le plateau de dégivrage.
- Pousser le plateau de dégivrage pour le remettre en place dans les fentes de la caisse du réfrigérateur.
- Pousser le plateau de dégivrage en place dans le tuyau de vidange.
- Remettre la clayette métallique en place dans sa position d'origine.
- Installer les dispositifs de retenue avec les vis. Portes métalliques :

Pour nettoyer les portes métalliques :

- Laver les portes avec un produit de nettoyage doux ou un mélange de détergent liquide pour vaisselle et d'eau chaude.
- Rincer à l'eau propre.
- Sécher avec un chiffon propre.



*Ne pas se servir de produits de nettoyage abrasifs, de produits chimiques ou de tampons à récurer car ils risquent d'endommager les portes métalliques.*

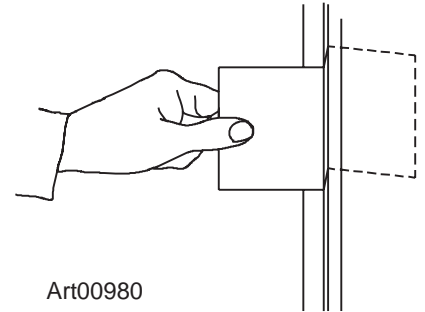
## Étanchéité des portes :

---

Vérifier l'étanchéité des portes (se reporter à Art00980).

L'intérieur du réfrigérateur peut givrer lorsque l'étanchéité de l'une ou l'autre porte n'est pas satisfaisante. S'assurer que les portes ferment correctement.

- Placer un morceau de papier de la taille et de l'épaisseur d'un billet de banque entre le réfrigérateur et la porte, puis fermer la porte, et ce, pour toutes les portes.
- Tirer doucement le morceau de papier.
  - Il doit se produire une légère résistance entre l'armoire du réfrigérateur et le joint de porte.
  - Répéter l'opération des quatre côtés de la porte.
  - Si le morceau de papier sort sans résistance, c'est que l'étanchéité n'est pas bonne.
  - Consulter le concessionnaire ou un Centre d'entretien autorisé Norcold pour corriger l'étanchéité de la porte.



## Période d'arrêt prolongé du réfrigérateur

---

Avant d'entreposer le réfrigérateur pour une période d'arrêt prolongé (hors saison d'utilisation) :

- Dégivrer et nettoyer l'intérieur du réfrigérateur.
- Fermer les portes avec le verrou de stockage.

Avant de remettre en route le réfrigérateur après une période d'arrêt prolongé :

- Vérifier que les orifices de mise à l'air libre, le conduit de fumée, le brûleur, l'orifice du brûleur, et le passage d'air de ventilation ne sont pas obstrués.

## Liste des opérations d'entretien

---

Il est important de lire attentivement et de bien comprendre cette partie du manuel qui traite de l'entretien.

**AVIS** *Norcold ne saurait être tenu pour responsable de l'installation, de la modification, de l'entretien et de l'entretien courant effectués par quiconque qui ne serait pas un concessionnaire véhicules de plaisance qualifié ou un Centre d'entretien autorisé Norcold.*

Les vérifications de bon état et de sécurité suivantes doivent être effectuées par un concessionnaire véhicules de plaisance qualifié ou par un Centre d'entretien autorisé Norcold :

- Examiner l'état des conduites d'alimentation en gaz et rechercher les fuites.
  - Remplacer ou réparer suivant besoin.
- S'assurer que la pression du gaz propane est de 11 pouces de colonne d'eau.
  - Régler la pression suivant besoin.
- S'assurer que le joint de compression est complet et intact.
  - Remplacer ou réparer suivant besoin.
- S'assurer que le brûleur et l'orifice du brûleur sont propres.
  - Nettoyer suivant besoin.

- S'assurer que l'écartement des électrodes est compris entre 1/8 et 3/16 pouce
  - Régler l'écartement suivant besoin.
- S'assurer que la tension C.A. est comprise entre 108 et 132 volts et la tension C.C. entre 10,5 et 15,4 volts.

## Stockage de la machine à glaçons (option)

---

Pour préparer la machine à glaçons pour son entreposage saisonnier, procéder comme suit :

1. Fermer le robinet d'arrivée d'eau relié à la machine à glaçons du véhicule.
2. Pousser vers le haut le bras de la machine à glaçons jusqu'à ce qu'il se verrouille en position « ARRÊT ».
3. Débrancher l'adaptateur de tuyau d'arrosage au niveau de l'électrovanne d'eau.
4. Retirer de l'électrovanne d'eau le tuyau d'eau de la machine à glaçons.
  - Ne pas démonter de l'électrovanne d'eau la résistance de la chauffeuse du tuyau d'eau.
5. Vidanger toute l'eau du tuyau d'arrivée d'eau et du tuyau d'eau de la machine à glaçons.
6. Placer l'extrémité du tuyau d'arrivée d'eau, l'extrémité du tuyau d'eau de la machine à glaçons et l'électrovanne d'eau individuellement dans un sac en plastique propre.
7. Fermer à l'aide de ruban adhésif chacun des sacs en plastique autour des tuyaux d'eau et de l'électrovanne d'eau.

Pour utiliser la machine à glaçons après son entreposage saisonnier, procéder comme suit :



**Ne pas utiliser la machine à glaçons si la température ambiante est inférieure ou égale à 0 °F. L'électrovanne d'eau et le tuyau d'arrivée d'eau risqueraient d'être endommagés.**

1. Retirer le ruban adhésif et les sacs en plastique de l'extrémité du tuyau d'arrivée d'eau, de l'extrémité du tuyau d'eau de la machine à glaçons et de l'électrovanne d'eau.
2. Brancher le tuyau d'eau de la machine à glaçons dans l'électrovanne d'eau.
3. Brancher l'adaptateur de tuyau d'arrosage au niveau de l'électrovanne d'eau.
4. Pousser vers le bas le bras de la machine à glaçons jusqu'en position « MARCHÉ ».
5. Ouvrir le robinet d'arrivée d'eau relié à la machine à glaçons du véhicule.



*Jeter sans les utiliser les deux premiers groupes de glaçons. Il faut en effet environ trois cycles à la machine à glaçons pour fournir des glaçons entièrement formés et propres.*

## Entretien du réfrigérateur

---

### Aspect de la flamme :

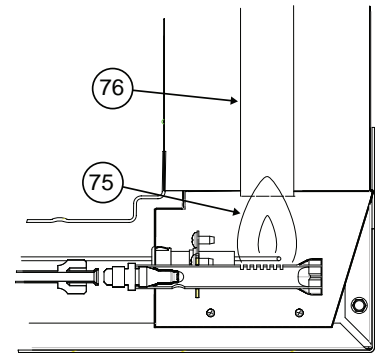
Le réfrigérateur étant en fonctionnement au gaz propane, examiner l'aspect de la flamme :

- Enfoncer le bouton SET TEMP jusqu'à l'apparition du chiffre « 9 » sur l'afficheur central.
- Ouvrir la prise d'air inférieure.



**Le couvercle du logement du brûleur peut être chaud. Porter des gants pour éviter les brûlures.**

- Examiner la flamme [75] (se reporter à Art02244).
  - La partie intérieure de la flamme doit être bleu foncé et l'extérieur doit être d'un bleu plus clair, la forme doit être constante et stable.
  - Si la flamme est jaune ou de forme erratique et instable, entrer en rapport avec le concessionnaire ou un Centre d'entretien autorisé Norcold.
  - S'assurer que la flamme ne touche pas l'intérieur du conduit de fumée [76].
  - Si la flamme touche l'intérieur du conduit de fumée, entrer en rapport avec le concessionnaire ou un Centre d'entretien autorisé Norcold.
- Fermer la porte du logement du brûleur.



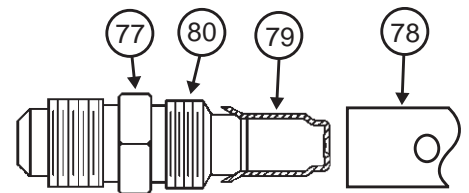
Art02244

### Dépose et nettoyage de l'orifice du brûleur :

Cette opération doit être effectuée par le concessionnaire ou un Centre d'entretien autorisé Norcold.

Pour déposer et nettoyer l'orifice du brûleur (se reporter à Art00956) :

- Fermer le robinet du réservoir de gaz.
- Enfoncer le bouton ON/OFF pour arrêter le réfrigérateur.
- Ouvrir la prise d'air inférieure.



Art 00956



**Le couvercle du logement du brûleur peut être chaud. Porter des gants pour éviter les brûlures.**

- Enlever la (les) vis de retenue du couvercle du logement du brûleur et déposer le couvercle.



**Pour éviter des fuites de gaz propane toujours possibles, toujours utiliser deux clés pour desserrer et resserrer les raccords des canalisations d'alimentation en gaz.**

- Enlever l'écrou évasé de l'orifice équipé [77] (se reporter à Art00956).
- Déposer l'orifice équipé du brûleur [78].



**Ne pas essayer de séparer l'orifice [79] de son support [80] lors du nettoyage. La séparation endommagera l'orifice et le joint et peut créer une fuite de gaz propane. Le gaz propane peut s'enflammer ou exploser avec pour conséquence des blessures graves, voire la mort. Ne pas nettoyer l'orifice à l'aide d'une épingle ou de tout autre objet.**

- Nettoyer l'orifice équipé avec de l'air comprimé et de l'alcool uniquement.
- Remonter l'orifice équipé sur le brûleur en utilisant une clé.
- Monter l'écrou évasé sur l'orifice équipé.
- Inspecter tous les raccords et rechercher les fuites.
- Remonter le couvercle du logement du brûleur.

## Enlèvement du réfrigérateur

---

Cette opération doit être faite par le concessionnaire ou un Centre d'entretien autorisé Norcold.



**L'arrière du réfrigérateur comporte des bords effilés et des angles. Pour éviter les coupures et l'érosion de la peau pendant l'opération, être très attentif et porter des gants résistant aux coupures.**



**Pour éviter les fuites de gaz propane toujours possibles, toujours utiliser deux clés pour serrer et desserrer les raccords des canalisations d'alimentation en gaz du réfrigérateur.**

1. Fermer le robinet du réservoir de gaz propane.
2. Débrancher le cordon d'alimentation en courant alternatif noir et le cordon d'alimentation de la machine à glaçons blanc(option) de la prise de courant.
3. Débrancher le câblage C.C. du réfrigérateur.
  - Mettre un repère sur les câbles C.C. afin de les rebrancher au bon endroit.
  - Enlever le fusible C.C. ou enlever le câblage C.C de la batterie ou du convertisseur du véhicule.
  - Déposer le câblage C.C. du réfrigérateur.
4. Ouvrir la prise d'air inférieure et débrancher la conduite d'alimentation en gaz du raccord sur la cloison du réfrigérateur.
5. Enlever les bouchons plastique des rebords de montage du réfrigérateur.
6. Enlever les vis des rebords de montage supérieur et inférieur à l'avant du réfrigérateur.
7. Enlever les vis du rebord de montage à l'arrière du réfrigérateur.
8. Sortir le réfrigérateur de son logement.

## Remontage du réfrigérateur

---

Cette opération doit être effectuée par le concessionnaire ou un Centre d'entretien autorisé Norcold.



**S'assurer que le joint de combustion est en parfait état, est correctement en place autour des rebords de montage du réfrigérateur et se trouve entre les rebords de montage et la paroi du logement. Un joint de combustion incomplet peut laisser les fumées toxiques s'infiltrer dans le lieu de séjour du véhicule. L'inhalation de fumées toxiques peut entraîner des étourdissements, des nausées ou, dans les cas extrêmes, la mort.**

1. Pousser le réfrigérateur à fond dans le logement.
2. Installer les vis par le rebord de montage à l'arrière du réfrigérateur.
3. Installer les vis par le rebord de montage supérieur puis par le rebord de montage inférieur à l'avant du réfrigérateur.
4. Mettre les bouchons plastique en place dans les rebords de montage du réfrigérateur.



**Pour éviter les fuites de propane toujours possibles, toujours utiliser deux clés pour serrer et desserrer les raccords des conduites d'alimentation en gaz.**

5. Brancher la conduite d'alimentation en gaz au raccord sur la cloison du réfrigérateur.
6. Ouvrir le robinet du réservoir de propane.



**Éviter le contact entre la solution utilisée pour la recherche de fuites et les composants électriques. Beaucoup de liquides sont conducteurs et peuvent causer un choc électrique, des courts-circuits, et éventuellement provoquer un incendie.**

7. Utiliser une solution de recherche de fuites et inspecter la conduite d'alimentation en gaz.

8. Brancher le câblage C.C. au réfrigérateur.

- Brancher les fils C.C. sur le réfrigérateur.

- Installer le fusible C.C. ou raccorder le câblage C.C. à la batterie ou au convertisseur.

9. Brancher le cordon d'alimentation C.A. noir et le cordon d'alimentation de la machine à glaçon (en option) blanc dans la prise de courant.

## Pièces de rechange

Les pièces de rechange peuvent être achetées chez le concessionnaire de véhicules de plaisance local ou dans un Centre d'entretien autorisé Norcold.

## Codes de défaillance

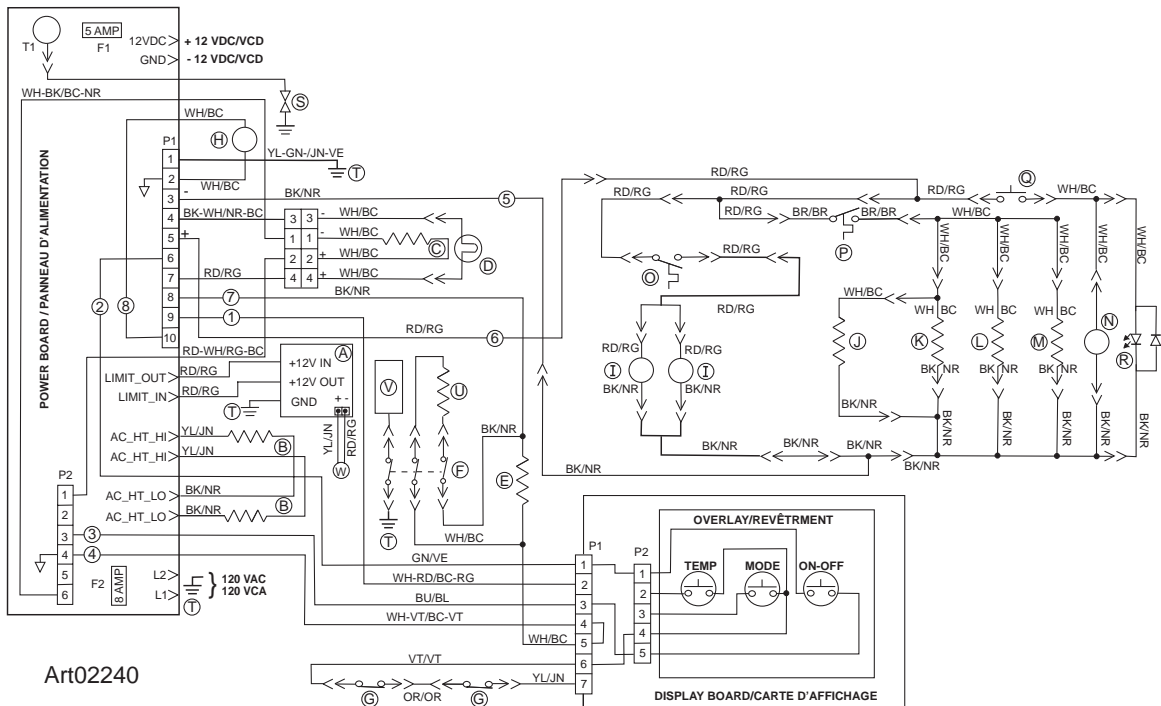
Code de défaillance	Signification	Actions corrective
Rien n'apparaît sur l'afficheur	La tension c.c. n'est pas disponible au panneau de commande du réfrigérateur ou le réfrigérateur est arrêté.	Vérifier que: - le réfrigérateur est en route. - le système de charge de la batterie du véhicule est opérationnel. - le convertisseur c.a./c.c. est opérationnel (s'il existe). Entrer en rapport avec le concessionnaire ou la Centre d'entretien autorisé Norcold.
"dr" L'alarme sonore se fait entendre.	La porte est restée ouverte pendant plus de 2 minutes.	Fermer la porte.
"no" "FL" L'alarme sonore se fait entendre.	Le brûleur n'est pas allumé ou rallumé.	Vérifier que: - le robinet du réservoir(s) de propane est ouvert. - la pression du gaz propane est correcte. - le robinet d'arrêt manuel du réfrigérateur est ouvert. - la conduite d'alimentation en gaz propane est purgée. Se reporte à "Purge de l'air des canalisations d'alimentation en gaz" de ce manuel. Entrer en rapport avec le concessionnaire ou la Centre d'entretien autorisé Norcold.
"no" "AC" L'alarme sonore se fait entendre.	La tension c.a. n'est pas disponible au panneau de commande du réfrigérateur.	Vérifier que: - le réfrigérateur est branché dans une prise qui fonctionne. - le fusible ou le disjoncteur du véhicule est intact. - la génératrice du véhicule est opérationnelle (si elle existe). Entrer en rapport avec le concessionnaire ou la Centre d'entretien autorisé Norcold.
"dc" "LO"	La tension c.c. au panneau de commande du réfrigérateur est trop faible.	Vérifier que: - le système de charge de la batterie du véhicule est opérationnel. - le convertisseur c.a./c.c. est opérationnel (s'il existe). Entrer en rapport avec le concessionnaire ou la Centre d'entretien autorisé Norcold.
"LI" "oP"	L'interrupteur de limite de haute température est ouvert.	Aucune action corrective par l'utilisateur/propriétaire. Entrer en rapport avec le concessionnaire ou la Centre d'entretien autorisé Norcold.
La sélection de température clignote lorsqu'on enfonce le bouton SET TEMP.	La sélection de température clignote lorsqu'on enfonce le bouton SET TEMP.	Aucune action corrective par l'utilisateur/propriétaire. Entrer en rapport avec le concessionnaire ou la Centre d'entretien autorisé Norcold.
"AC" "rE" L'alarme sonore se fait entendre.	Défaillance du système de commande du réfrigérateur.	Aucune action corrective par l'utilisateur/propriétaire. Entrer en rapport avec le concessionnaire ou la Centre d'entretien autorisé Norcold.
"AC" "HE" L'alarme sonore se fait entendre.	Défaillance du système de commande du réfrigérateur.	Aucune action corrective par l'utilisateur/propriétaire. Entrer en rapport avec le concessionnaire ou la Centre d'entretien autorisé Norcold.
"Sr" L'alarme sonore se fait entendre.	Défaillance du système de commande du réfrigérateur.	Aucune action corrective par l'utilisateur/propriétaire. Entrer en rapport avec le concessionnaire ou la Centre d'entretien autorisé Norcold.



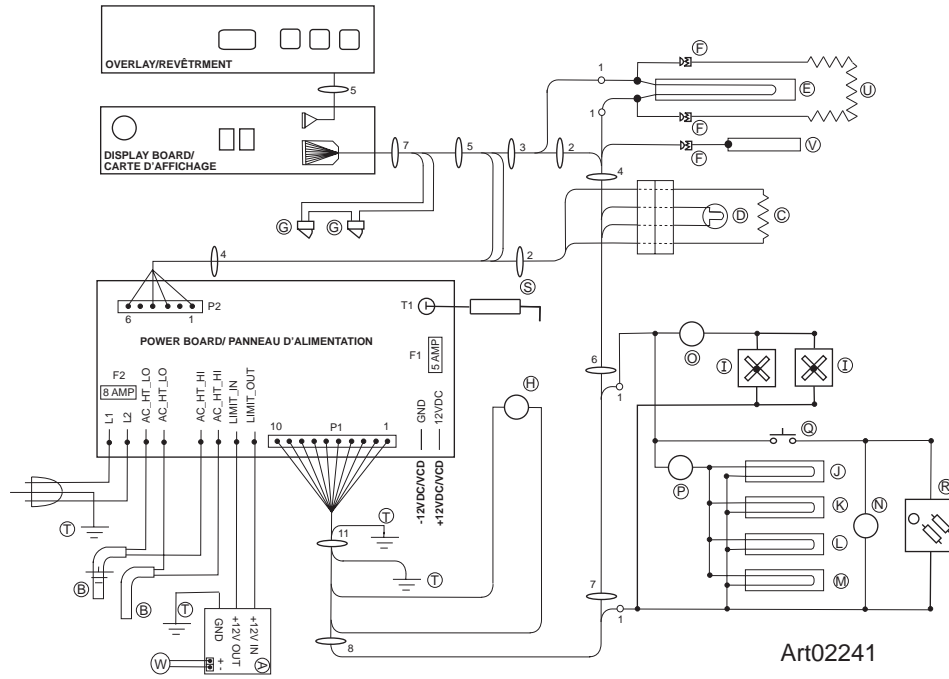
# Schéma de câblage et schéma électrique

Le schéma de câblage présente les composants suivants (voir Art02240).  
 Le graphique de câblage présente les composants suivants (voir Art02241).

Interrupteur de température.....	A
Éléments chauffants c.a.....	B
Thermistance.....	C
Lampe.....	D
Élément chauffant du séparateur.....	E
Contacts de porte.....	F
Interrupteurs de porte.....	G
Robinet de gaz (option).....	H
Ventilateurs.....	I
Chaufferette du tuyau d'eau de la machine à glaçons (option).....	J
Chaufferette du robinet d'eau (option).....	K
Chaufferette du tuyau d'eau du distributeur (option).....	L
Chaufferette du robinet d'eau du distributeur (option).....	M
Robinet du distributeur (option).....	N
Interrupteur de température ventilateurs.....	O
Interrupteur de température (option).....	P
Interrupteur du distributeur (option).....	Q
Lampe du distributeur (option).....	R
Allumeur (option).....	S
Masse du châssis.....	T
Élément chauffant mobile de la fermeture étanche de la porte.....	U
Masse logement mobile de la fermeture étanche de la porte.....	V
Thermocouple.....	W
Commuté 12 V c.d.....	1
Continu fondu 12 V c.d.....	2
Communications.....	3
D'affichage la terre.....	4
Auxiliaire la terre.....	5
Auxiliaire + 12 V c.d.....	6
Séparateur + 12 V c.d.....	7
Robinet de gaz + 12 V c.d.....	8
Fusible 5 A c.d.....	F1
Fusible 5 A c.a.....	F2



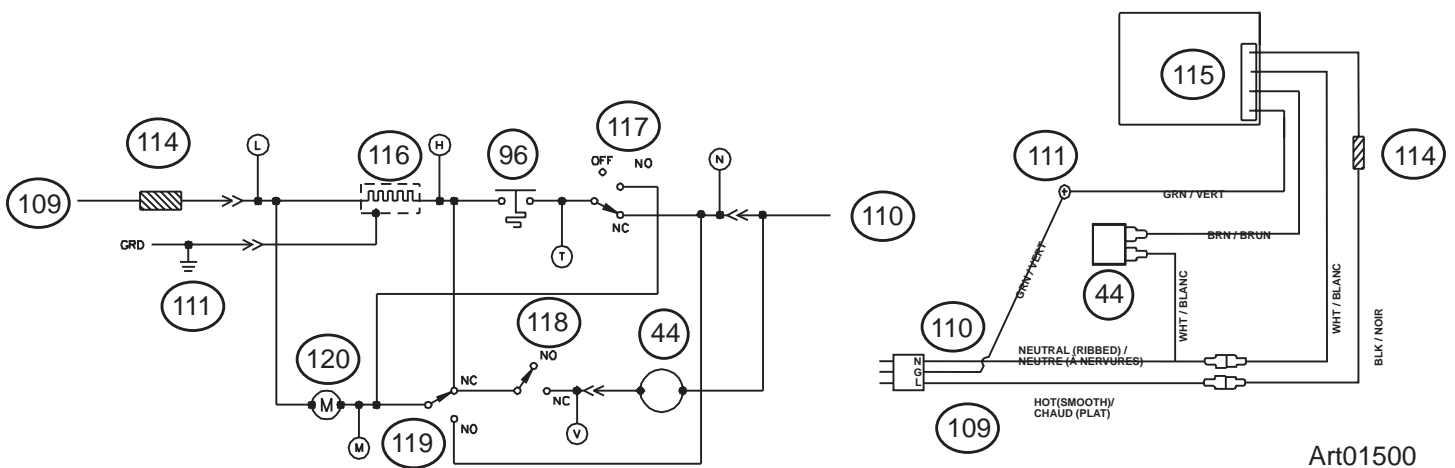
Art02240



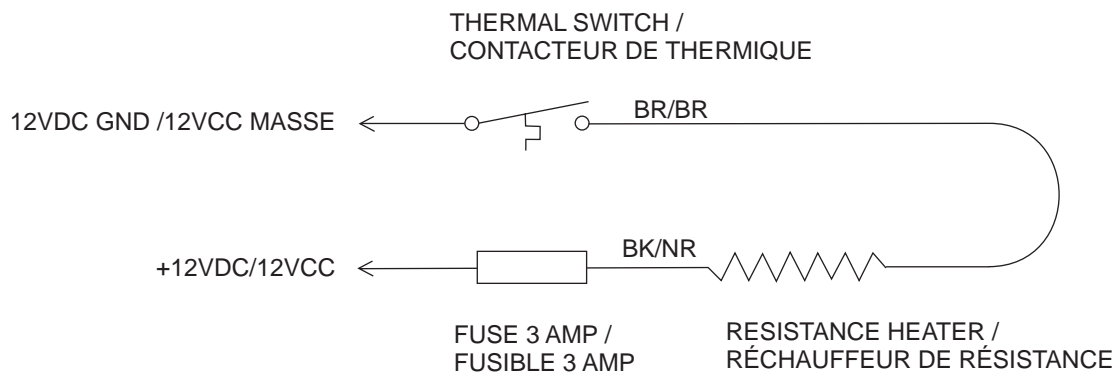
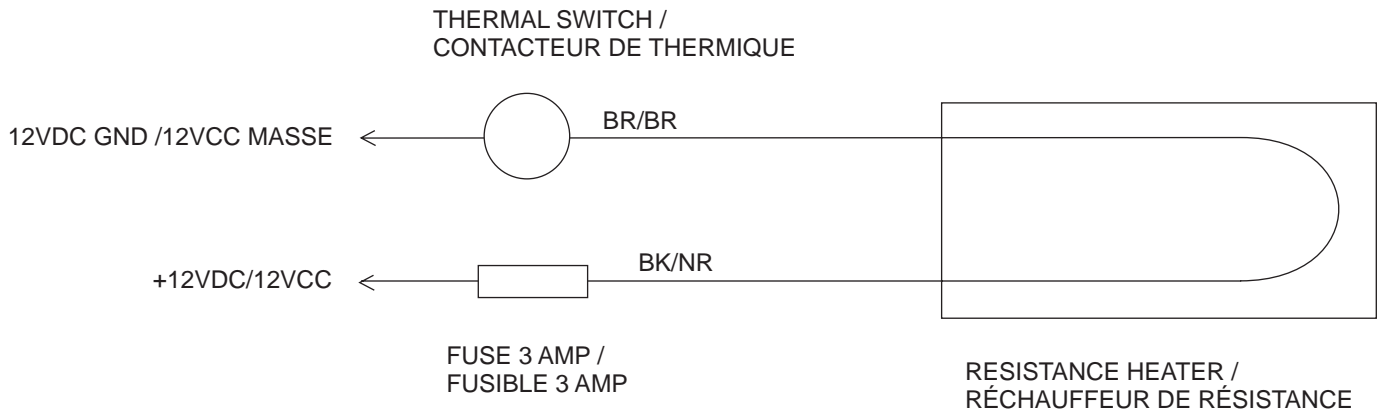
## Schéma de câblage et schéma électrique de la machine à glaçons (option)

Désignation des repères du schéma de câblage et du schéma électrique de la machine à glaçons (voir Art01500).

120 V c.a. chaud/lissé .....	109
120 V c.a. neutre/torsadé .....	110
Vis de mise à la terre .....	111
Fusible thermique .....	114
Électrovalve d'eau .....	44
Machine à glaçons.....	115
Dispositif de chauffage - moule .....	116
Thermostat .....	96
Contacteur d'arrêt.....	117
Contacteur de remplissage.....	118
Contacteur de maintien .....	119
Moteur .....	120



## Schéma de câblage et schéma électrique - Chauffage à Basse Température Ambiante (option)



Art02312

**AVIS**

*Ce kit alimente le chauffage en tension c.c. chaque fois que la température ambiante est suffisamment basse. Un entreposage prolongé par temps froid décharge les batteries du véhicule. Pour éviter la décharge des batteries, débrancher le fusible 3 A du chauffage à basse température ambiante.*

