



<KX-DT346>


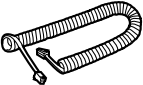


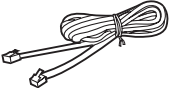
Panasonic®

Quick Reference Guide Digital Proprietary Telephone

Model No. **KX-DT333/KX-DT343/KX-DT346**

Thank you for purchasing a Digital Proprietary Telephone (DPT). Please read this manual carefully before using this product and save this manual for future use. For more details, please refer to the manuals of the PBX.

Accessories (included)*1

<input type="checkbox"/> Handset: 1 	<input type="checkbox"/> Handset Cord: 1 	<input type="checkbox"/> Wall Mounting Adaptor*2: 1 
<input type="checkbox"/> Screws for wall: 2 	<input type="checkbox"/> Telephone Line Cord: 1 	

*1 For extra orders for the accessories, call toll-free: 1-800-332-5368.

*2 This telephone comes with the wall mounting adaptor already attached. To remove the adaptor, refer to step 1 on page 17.

This unit supports the following optional devices and features:

	KX-DT333	KX-DT343	KX-DT346
Features			
Display	3-Line	3-Line	6-Line
Flexible Buttons	24	24	24
LCD Backlight		✓	✓
Options			
KX-NT303 Add-on 12 Key Module		✓	✓
KX-NT307 (PSLP1528) Bluetooth® Module *1 *2 *3		✓	✓
KX-DT301 USB Module *3		✓	✓
KX-DT390 DSS Console (with 60 keys) *2	✓	✓	✓

✓: Available

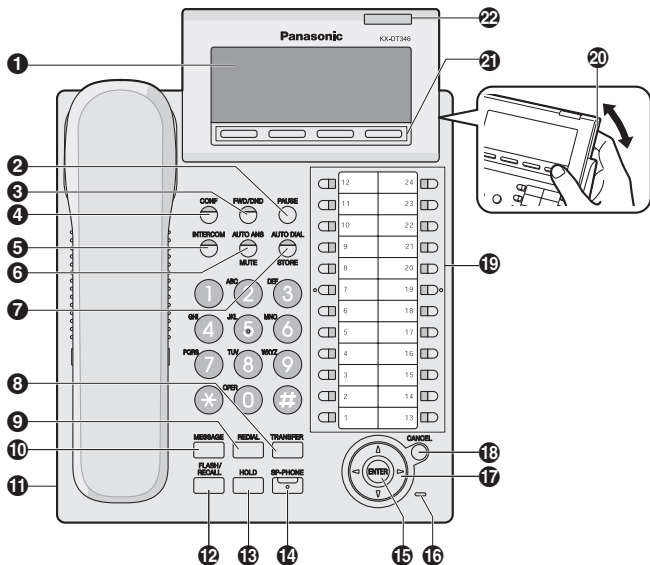
*1 The availability of the Bluetooth Module depends on the software version of the connected PBX. Consult your dealer for more details.

*2 For information on connecting, refer to the each included manual.

*3 When connecting DPTs via Digital XDP, this optional device cannot be used.

Trademark:

The Bluetooth® word mark and logos are owned by the Bluetooth SIG, Inc. and any use of such marks by Panasonic Corporation is under license.













<KX-DT346>

- 1 LCD (Liquid Crystal Display)**
- 2 PAUSE:** Used to insert a pause when storing a telephone number. This button is also used for programming this unit.
- 3 FWD/DND (Call Forwarding/ Do Not Disturb):** Used to set Call Forwarding or Do Not Disturb on your extension.
- 4 CONF (Conference):** Used to establish a multiple party conversation.
- 5 INTERCOM:** Used to make or receive intercom calls.
- 6 AUTO ANS (Auto Answer)/ MUTE:** Used to receive an incoming call in hands-free mode or mute the microphone/handset during a conversation.
- 7 AUTO DIAL/STORE:** Used for System/Personal Speed Dialing or storing program changes.

Location of Controls

- 8 TRANSFER:** Used to transfer a call to another party.
- 9 REDIAL:** Used to redial the last dialed number.
- 10 MESSAGE:** Used to leave a message waiting indication or call back the party who left the message waiting indication.
- 11 Headset Jack**
- 12 FLASH/RECALL:** Used to disconnect the current call and make another call without hanging up.
- 13 HOLD:** Used to place a call on hold.
- 14 SP-PHONE (Speakerphone):** Used for performing hands-free operations.
- 15 ENTER:** Used to assign the selected item.
- 16 Microphone:** Used for hands-free conversations.
- 17 Navigator Key:** Used to adjust the volume and the display contrast or select desired items.
- 18 CANCEL:** Used to cancel the selected item.
- 19 Flexible Buttons:** Used to seize a CO line or perform a feature that has been assigned to the key.
- 20 LCD Panel:** Can be adjusted to the desired angle.
- 21 Soft Buttons (S1-S4):** S1-S4 (located from left to right) are used to select the item displayed on the bottom line of the display.
- 22 Message/Ringer Lamp:**
When you receive an intercom call, the lamp flashes green, and on an outside call, the lamp flashes red. When someone has left you a message, the lamp stays on red.






Speaker volume	<i>While in a hands-free conversation</i>	 <p>Press Up to increase or Down to decrease the volume.</p>
Handset/Headset volume*1	<i>While using the handset or headset</i>	
Ringer volume	<i>While on-hook or receiving a call</i>	
LCD Contrast	<i>While on-hook</i> PAUSE  ► (0) (1) ►  ►  ►  ► PAUSE 	
Ring Tone	PAUSE  ► $\left(\begin{array}{c} \text{CO} \\ \text{OR} \\ \text{INTERCOM} \end{array} \right)$ ► $\left(\begin{array}{cc} (0) & (1) \\ & \\ (3) & (0) \end{array} \right)$ ► $\left(\begin{array}{c} \text{Navigation Pad} \\ \text{OR} \\ \text{AUTO DIAL} \\ \text{STORE} \end{array} \right)$ ► PAUSE  <p>Press 2 times.</p>	
LCD Backlight*2	PAUSE  ► (0) (4) ► $\left(\begin{array}{c} \text{Navigation Pad} \\ \text{OR} \\ \text{AUTO DIAL} \\ \text{STORE} \end{array} \right)$ ► $\left(\begin{array}{l} (0) \text{ Automatic} \\ (1) \text{ Always ON} \\ (2) \text{ Always OFF} \end{array} \right)$ ► $\left(\begin{array}{c} \text{Navigation Pad} \\ \text{OR} \\ \text{AUTO DIAL} \\ \text{STORE} \end{array} \right)$ ► PAUSE 	

*1 If you hear your own voice through the handset or headset, decrease the volume.


















*2 For KX-DT343/KX-DT346 only.

Features List

Icon Meanings

 = Flexible button  = Off-hook  = On-hook
○ = Feature number  = Talk  = Confirmation Tone

Making Calls

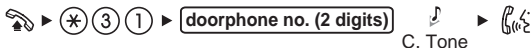
Calling	
To an extension  ► <input data-bbox="145 414 310 451" type="text" value="extension no."/> ► 	To an outside party  ►  ► <input data-bbox="616 414 833 451" type="text" value="outside phone no."/> ► 
Redial	
 ► REDIAL ► <input data-bbox="160 546 202 582" type="text" value=""/> ► 	
Quick Dialing	
 ► <input data-bbox="145 647 336 684" type="text" value="quick dialing no."/> ► 	
One-touch Dialing	
To store PAUSE ○ ►  ► ② ► <input data-bbox="336 808 668 851" type="text" value="desired no.* (max. 32 digits)"/> ► AUTO DIAL ○ ► PAUSE ○ STORE	
* Enter CO line access number before outside phone number.	
To dial  ► (One-touch Dialing)  assigned as a One-touch Dialing button ► 	
Personal Speed Dialing	
To store  ► * ③ ① ► <input data-bbox="284 1099 502 1157" type="text" value="personal speed dialing no. (2 digits)"/> ► <input data-bbox="512 1099 730 1157" type="text" value="desired phone no.* (max. 32 digits)"/> ► # C. Tone ► 	
* Enter CO line access number before outside phone number.	
To dial  ► AUTO DIAL ○ ► STORE ► * ► <input data-bbox="372 1288 585 1346" type="text" value="personal speed dialing no. (2 digits)"/> ► 	

System Speed Dialing

To dial



Doorphone Call



During a Conversation

Call Hold

To hold



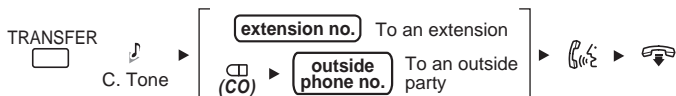
To retrieve a call at the holding extension



To retrieve an outside call from another extension



Call Transfer



Useful Features

Multiple Party Conversation

To add other parties during a conversation (i.e., conference)



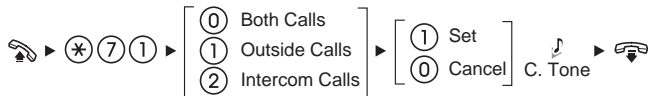
To leave a conference



Features List

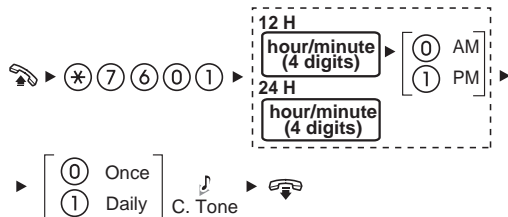
Setting the Telephone According to Your Needs

Do Not Disturb



Timed Reminder

To set



To cancel

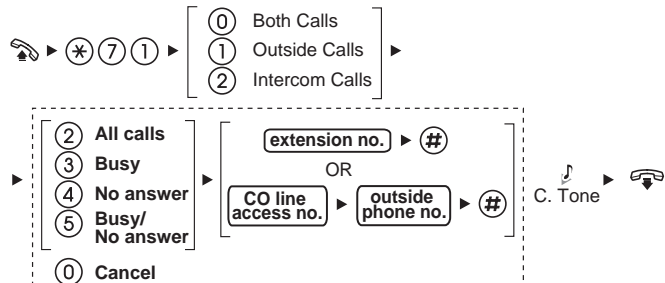


To stop or answer the ring back



Before Leaving Your Desk


Call Forwarding



Making Use of the Voice Mail Service

Listening to a message

From your own extension

 ▶ **VPS extension no.** ▶

▶ **Mailbox Password*** **#**

* If you have no password, you can skip the last step.

Note: VPS = Voice Processing System

From someone else's extension

 ▶ **VPS extension no.** ▶

▶ **#** **6** ▶ ***** ▶

▶ **mailbox no.** ▶

▶ **Mailbox Password*** **#**

* If you have no password, you can skip the last step.

KX-TVA series

- ① Listen to Message
- ② Deliver Message
- ③ Mailbox Management
- ▶ ④ Automated Attendant
- ⑤ Message Notification
- ⑥ Other Features
- ⑦ End Call

KX-TVS series

- ① Listen to Message
- ② Deliver Message
- ③ Check Mailbox Distribution
- ▶ ④ Automated Attendant
- ⑤ Mailbox Management
- ⑥ Other Features
- ⑦ End Call

Leaving a message

 ▶ **VPS extension no.** ▶

From your own extension

Mailbox Password* **#**

From someone else's extension

**6** ▶ ***** ▶ **mailbox no.** ▶ **Mailbox Password*** **#**

* If you have no password, you can skip the last step.

▶ ② ▶ Enter the desired mailbox number ▶ ② ① ▶ Leave a message ▶ ① ② ▶

To send the message immediately

① ② (KX-TVA series)

▶ ② (KX-TVS series)

To set the delivery time

① ①

▶ Follow the guidance

Features List

During playback

- ① Repeat Voice Guidance
- * Exit

- Consult your dealer for more details regarding feature numbers.
- It is possible to assign flexible buttons as feature buttons.
- Control panel/button names and descriptions can be found in "Location of Controls" on page 3.

Accessing Features Using the Display

Using the LCD Display

It is possible to access the following directories, logs, and menus by pressing left or right on the Navigator Key while this unit is idle:

Incoming Call Log

Outgoing Call Log

Personal Speed Dialing Directory

System Speed Dialing Directory

Extension Number Directory

Feature Access

Entering Characters

You can enter alphabetic characters and digits using the dialing buttons. Pressing a dialing button repeatedly displays different characters, as shown in the following tables. While entering characters, you can move the cursor with the left and right Navigator keys and delete characters with the TRANSFER button. To toggle between Table 1 and Table 2, press the Soft button (S1) at any time while entering characters. For a list of available characters, refer to the next page.

Accessing Features Using the Display

Table 1 (Standard mode)

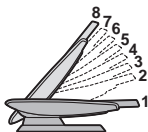
Times Buttons	1	2	3	4	5	6	7	8	9
①	!	?	"	l					
②	A	B	C	a	b	c	2		
③	D	E	F	d	e	f	3		
④	G	H	I	g	h	i	4		
⑤	J	K	L	j	k	l	5		
⑥	M	N	O	m	n	o	6		
⑦	P	Q	R	S	p	q	r	s	7
⑧	T	U	V	t	u	v	8		
⑨	W	X	Y	Z	w	x	y	z	9
⑩	(space)	.	,	'	:	;	0		
*	/	+	-	=	<	>	*		
#	\$	%	&	@	()	€	£	#

Table 2 (Option mode)

Times Buttons	1	2	3	4	5	6	7	8	9	10	11	12	13	14	15
①	!	?	"	ä	ö	ü	l								
②	A	B	C	a	b	c	À	Á	Â	Ã	Ä	Å	Æ	Ç	2
③	D	E	F	d	e	f	Ð	È	É	Ê	Ë	3			
④	G	H	I	g	h	i	Ï	Í	Î	Ï	4				
⑤	J	K	L	j	k	l	5								
⑥	M	N	O	m	n	o	Ñ	Ò	Ó	Ô	Õ	Ö	Ø	Œ	6
⑦	P	Q	R	S	p	q	r	s	Š	Š	7				
⑧	T	U	V	t	u	v	Ù	Ú	Û	Ü	8				
⑨	W	X	Y	Z	w	x	y	z	Ý	Ž	9				
⑩	(space)	.	,	'	:	;	0								
*	/	+	-	=	<	>	*								
#	\$	%	&	@	()	€	£	#						

Operation Board Angle Adjustment

The angle of the operation board can be set to one of eight angles (level 1 = 0°, level 8 = 45°).



CAUTION:

Hold the operation board until the operation board is secured at the desired angle. Make sure you do not pinch your fingers when raising or lowering the operation board.

To raise:

Gently lift the operation board one level at a time.

To lower:

Raise the operation board to level 8. Next, with one hand on the base of the unit, lift the operation board again to release the latch, then slowly push the operation board down to level 1. If the operation board cannot be lowered to level 1, repeat this step.

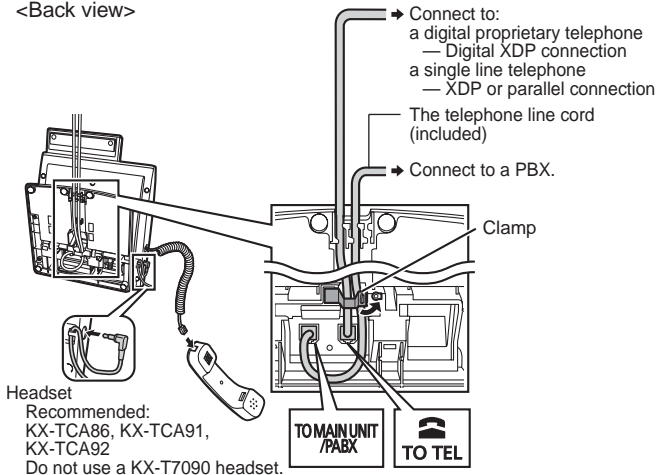


Locking the Handset Hook

Pull down the handset hook until it locks to prevent the handset from falling off the handset cradle when the unit is mounted to a wall or set at a high angle. To temporarily place the handset down during a conversation, hook it over the top edge of the unit as shown.



<Back view>



- Consult your dealer for more details about XDP and Digital XDP.

CAUTION:

When connecting a headset

- Ensure that the headset cord is wound around the hook to prevent damage to the connector.

When connecting cords

- Ensure the cords are inserted in the grooves, and are clamped to prevent damage to the connectors.

Installing KX-DT301/KX-NT303

CAUTION:

- To prevent damage to the telephone, be sure to unplug the extension line before you set up or remove the KX-DT301 (USB Module) or the KX-NT303 (Add-on 12 Key Module).
- Connect the KX-NT303 first when installing both the KX-DT301 and the KX-NT303.

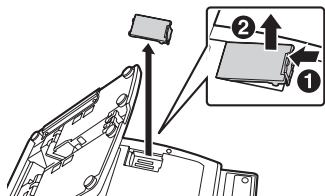
KX-NT303

The Add-on 12 Key Module allows 12 additional flexible buttons to be added to this unit. These buttons are used to seize a CO line, make a call using One-touch Dialing, or perform a feature that has been assigned to the key.

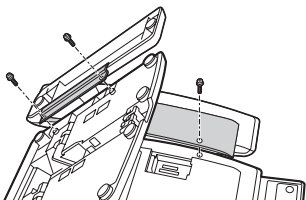


<with a KX-DT346>

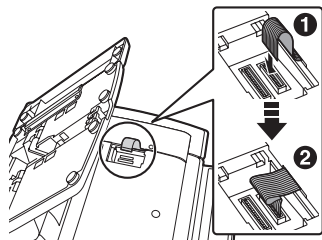
1. Open the cover.



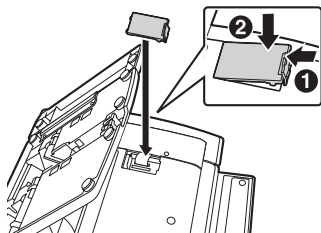
2. Attach the KX-NT303 to your unit with the screws (included with KX-NT303).



3. Plug the flat cable into the connector (1), then bend the cable slightly as shown (2).



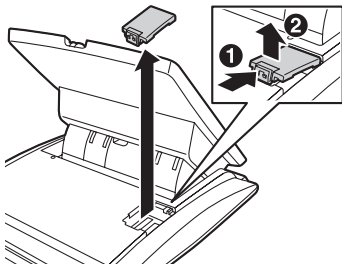
4. Close the cover.



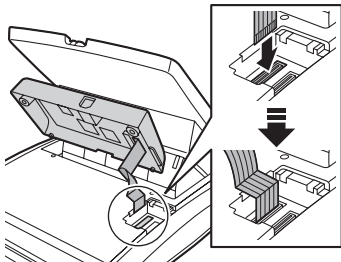
KX-DT301

The USB Module can be connected between the DPT and the personal computer through USB interface to implement personal CTI (Computer Telephony Integration).

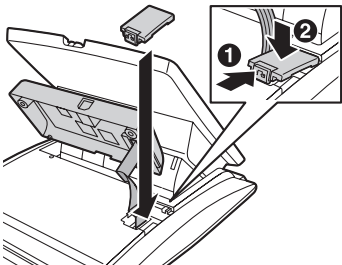
1. Open the cover.



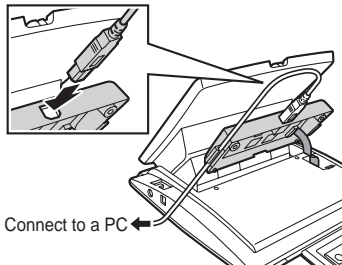
2. Plug the flat cable into the connector as shown.



3. Close the cover.



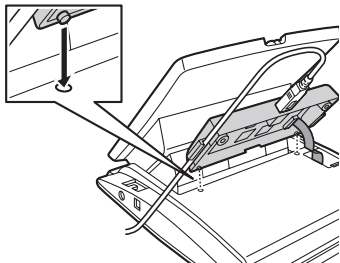
4. Connect the USB cable to the USB port.



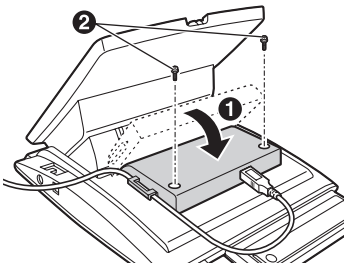
- Ensure that the USB cable goes through the cable guide.
- Please use a USB cable shorter than 3 m (9 ft 10 in).

Installing KX-DT301/KX-NT303

5. Insert the protrusions on the KX-DT301 into the 2 holes in the unit.

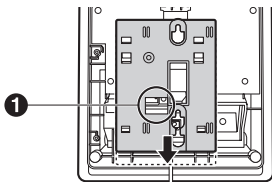


6. Attach the KX-DT301 to your unit with the screws (included with KX-DT301).

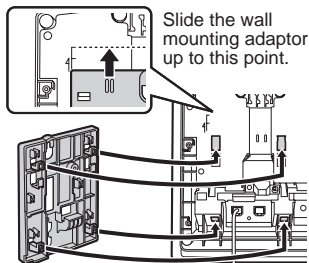


7. Install the USB driver. Refer to Installation Manual on the CD-ROM included with KX-DT301.

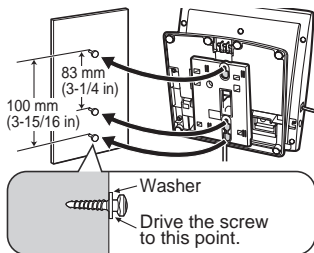
1. Remove the wall mounting adaptor from the unit as shown.
2. Set the operation board to level 1, then connect and secure the telephone line cords.
 - The cords can also be run from the top of the unit (page 13).



3. Attach the wall mounting adaptor as shown.
 - Make sure the cords are not pinched by the wall mounting adaptor. When running the cords from the top of the unit, look through the opening in the wall mounting adaptor (1) to confirm that the cords are not being pinched.



4. Drive the 2 screws (included) into the wall either 83 mm (3-1/4 in) or 100 mm (3-15/16 in) apart, and mount the unit on the wall.
 - You can find a wall mounting template on page 23.
 - Make sure that the wall that the unit will be attached to is strong enough to support the unit (approx. 1.65 kg [3.64 lb]).
 - Make sure the cords are securely fastened to the wall.
 - When this unit is no longer in use, make sure to detach it from the wall.



- For information on locking the handset hook, refer to page 12.

Important Information

When using KX-DT300 series DPTs, keep the following conditions in mind.

- If you are having problems making calls, unplug the extension line and connect a known working telephone. If the known working telephone operates properly, have the defective telephone repaired by an authorized Panasonic factory service center. If the known working telephone does not operate properly, check the PBX and the internal extension wiring.
- Wipe the unit with a soft cloth. Do not clean the unit with abrasive powders or with chemical agents such as benzene or thinner.
- Use only the correct Panasonic handset.
- Do not disassemble this unit. Dangerous electrical shock could result. The unit must only be disassembled and repaired by qualified service technicians.
- If damage to the unit exposes any internal parts, immediately disconnect the cable or cord.
- Never attempt to insert wires, pins, etc. into the vents or other holes of this unit.

Take special care to follow the safety suggestions listed below.

Installation

Environment

- 1) Do not use this unit near water, for example, near a bathtub, washbowl or sink. Damp basements should also be avoided.
- 2) Keep the unit away from heating appliances and devices that generate electrical noise, such as fluorescent lamps, motors, and televisions. These noise sources can interfere with the performance of the unit. It also should not be placed in rooms where the temperature is less than 5 °C (41 °F) or greater than 40 °C (104 °F). Allow 10 cm (3-15/16 in) clearance around the unit for proper ventilation.

Placement

- 1) Do not place heavy objects on top of this unit.
- 2) Care should be taken so that objects do not fall onto, and liquids are not spilled into, the unit. Do not subject this unit to excessive smoke, dust, moisture, mechanical vibration, shock, or direct sunlight.
- 3) Place the unit on a flat surface.

WARNING:

TO PREVENT POSSIBLE FIRE OR ELECTRIC SHOCK, DO NOT EXPOSE THIS UNIT TO RAIN OR MOISTURE.

THIS HANDSET EARPIECE IS MAGNETIZED AND MAY RETAIN SMALL FERROUS OBJECTS.

THE USE OF EXCESSIVE SOUND VOLUME THROUGH EARPHONES, HEADPHONES, OR HEADSETS MAY CAUSE HEARING LOSS.

DISCONNECT THE TELEPHONE LINE CORD FROM THIS PRODUCT IF THIS PRODUCT EMITS SMOKE, AN ABNORMAL SMELL OR MAKES UNUSUAL NOISE. THESE CONDITIONS CAN CAUSE FIRE OR ELECTRIC SHOCK. CONFIRM THAT SMOKE HAS STOPPED AND CONTACT AN AUTHORIZED SERVICE CENTER.

IMPORTANT NOTICE:

- Under power failure conditions, the DPT may not operate. Please ensure that a separate telephone, not dependent on local power, is available for use in remote sites in case of emergency.

When you ship the product:

Carefully pack and send it prepaid, adequately insured and preferably in the original carton. Attach a postage-paid letter, detailing the symptom to the outside of the carton.

DO NOT send the product to the Executive or Regional Sales offices. They are NOT equipped to make repairs.

Product service:

Panasonic factory service centers for this product are listed in the service center directory.

Consult your authorized Panasonic dealer for detailed instructions.

Important Information

Important Safety Instructions

When using this unit, basic safety precautions, including those below, should always be followed to reduce the risk of fire, electric shock and injury to persons.

1. Read and understand all instructions.
2. Follow all warnings and instructions marked on this unit.
3. Unplug this unit from the main unit before cleaning. Do not use liquid or aerosol cleaners. Clean with a soft cloth.
4. Do not use the unit near water, for example, near a bathtub, kitchen sink, or laundry tub, in a wet basement, or near a swimming pool.
5. Place this unit on a flat surface. Serious damage and/or injury may result if the unit falls.
6. The unit should never be placed near or over a radiator or other heat source.
7. Do not allow anything to rest on the extension cord. Do not locate this unit where the cord may be stepped on or tripped on.
8. To reduce the risk of fire or electric shock, do not overload wall outlets and extension cords.
9. Do not insert objects of any kind into this unit through openings, as they may touch dangerous voltage points or short out parts that could result in a risk of fire or electric shock. Never spill liquid of any kind on the unit.
10. To reduce the risk of electric shock, do not disassemble this unit. Only qualified personnel should service this unit. Opening or removing covers may expose you to dangerous voltages or other risks. Incorrect reassembly can cause electric shock.
11. Unplug this unit from the main unit and have the unit serviced by qualified service personnel in the following cases:
 - A. When the power supply cord or plug is damaged or frayed.
 - B. If liquid has been spilled on the unit.
 - C. If the unit has been exposed to rain or water.
 - D. If the unit does not operate according to this manual. Adjust only the controls that are explained in this manual. Improper adjustment of other controls may result in damage and may require service by a qualified technician to restore the product to normal operation.
 - E. If the unit has been dropped, or damaged.
 - F. If the unit's performance deteriorates.
12. Avoid using a wired telephone during an electrical storm. There is a remote risk of electric shock from lightning.
13. Do not use a telephone in the vicinity of a gas leak to report the leak.

SAVE THESE INSTRUCTIONS

FCC and Other Information

F.C.C. REQUIREMENTS AND RELEVANT INFORMATION

This equipment has been tested and found to comply with the limits for a Class B digital device, pursuant to Part 15 of the FCC Rules. These limits are designed to provide reasonable protection against harmful interference in a residential installation.

This equipment generates, uses, and can radiate radio frequency energy and, if not installed and used in accordance with the instructions, may cause harmful interference to radio communications. However, there is no guarantee that interference will not occur in a particular installation. If this equipment does cause harmful interference to radio or television reception, which can be determined by turning the equipment off and on, the user is encouraged to try to correct the interference by one or more of the following measures:

- Reorient or relocate the receiving antenna.
- Increase the separation between the equipment and receiver.
- Connect the equipment into an outlet on a circuit different from that to which the receiver is connected.
- Consult the dealer or an experienced radio/TV technician for help.

CAUTION:

To assure continued compliance with FCC rules, do not make any unauthorized changes or modifications to this equipment would void the user's authority to operate this device.

When programming emergency numbers and/or making test calls to emergency numbers:

- 1) Remain on the line and briefly explain to the dispatcher the reason for the call before hanging up.
- 2) Perform such activities in the off peak hours, such as early morning hours or late evenings.

FCC Declaration of Conformity

Trade Name: Panasonic

Model Number: KX-DT343/KX-DT346

Responsible Party: Panasonic Corporation of North America

One Panasonic Way

Secaucus, NJ 07094 U.S.A.

Telephone No.: 1-800-211-PANA (7262)

This device complies with Part 15 of the FCC Rules.

Operation is subject to the following two conditions: (1) This device may not cause harmful interference, and (2) this device must accept any interference received, including interference that may cause undesired operation.

Important Information

This unit features a Bluetooth Module slot that can be used to wirelessly connect a Bluetooth headset to the unit.

Radio Frequency Exposure Requirements (When an optional Bluetooth Module is installed)

This product complies with FCC radiation exposure limits set forth for an uncontrolled environment. To comply with FCC RF exposure requirements, it must be installed and operated in accordance with provided instructions. The unit requires minimum 20 cm (8 in) spacing must be provided between antennas and all person's body (excluding extremities of hands, wrists and feet) during wireless modes of operation. This transmitter must not be co-located or operated in conjunction with any other antenna or transmitter.

Customer Information

This equipment complies with Part 68 of the FCC rules and the requirements adopted by the ACTA. On the bottom of the cabinet of this equipment is a label that contains, among other information, the following product identifier:

US: ACJKXNANKX-DT346

If requested, this number must be provided to the telephone company.

If trouble is experienced with this equipment KX-DT333, KX-DT343, and KX-DT346, for repair or warranty information, please contact:

Panasonic Service and Technology Company-BTS Center
415 Horizon Drive Bldg. 300 Ste. 350-B
Suwanee, GA 30024-3186

If the equipment is causing harm to the telephone network, the telephone company may request that you disconnect the equipment until the problem is resolved.

Hearing Aid Compatibility:

This telephone provides magnetic coupling for hearing aids.

Compliance with TIA-1083 standard:

Compatible with
Hearing Aid T-Coil



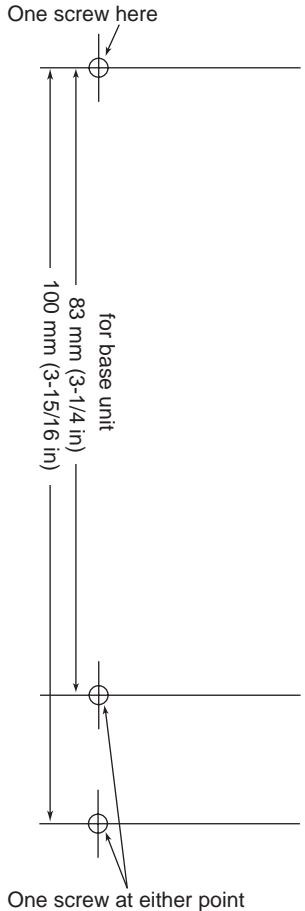
Telephone handsets identified with this logo have reduced noise and interference when used with T-Coil equipped hearing aids and cochlear implants.

WALL MOUNTING TEMPLATE

1. Drive the screws into the wall as indicated.
2. Hook the unit onto the screw heads.

Note:

Make sure to set the print size to correspond with the size of this page. If the dimensions of the paper output still deviate slightly from the measurements indicated here, use the measurements indicated here.



**Panasonic Consumer Electronics Company,
Division of Panasonic Corporation of North America**
One Panasonic Way Secaucus, New Jersey 07094

<http://www.panasonic.com/csd>

Copyright:

This material is copyrighted by Panasonic Communications Co., Ltd., and may be reproduced for internal use only. All other reproduction, in whole or in part, is prohibited without the written consent of Panasonic Communications Co., Ltd.

© Panasonic Communications Co., Ltd. 2009

PSQX4683ZA-UU (A) KK0309YH0 (M)