

**polk**audio®

**DB351**  
3 1/2" Coaxial

**DB401**  
4" Coaxial

**DB461**  
4" x 6" Coaxial

**DB461p**  
4" x 6" Plate

**DB501**  
5" Coaxial

**DB521**  
5 1/4" Coaxial

**DB571**  
5" x 7" Coaxial

**DB651**  
6 1/2" Coaxial

**DB651s**  
Slim Mount Coaxial

**DB691**  
6" x 9" Three-Way

**DB5251**  
5 1/4" Component System

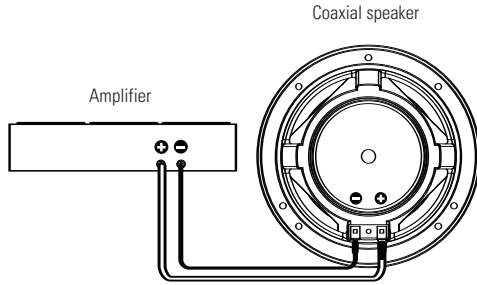
**DB6501**  
6 1/2" Component System

**DB1001**  
1" Tweeter

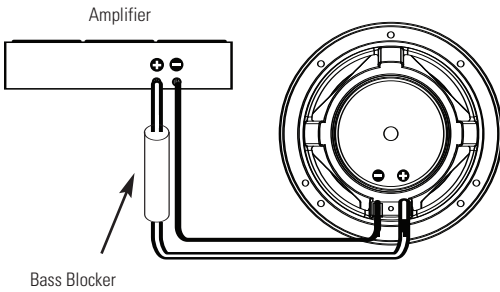


**Owner's Manual**

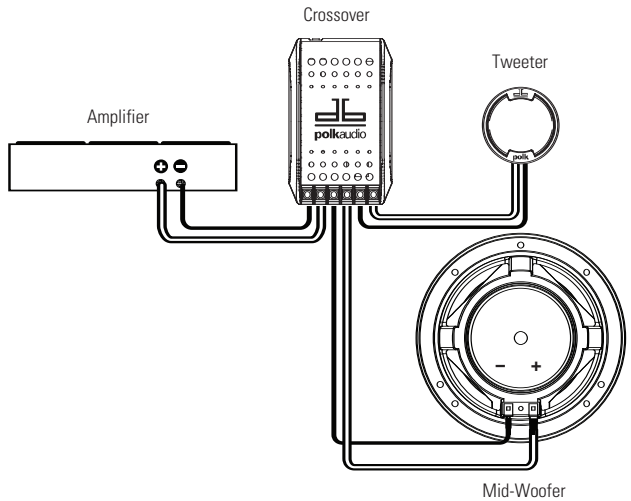
**Figure 1**  
BASIC COAXIAL CONNECTION



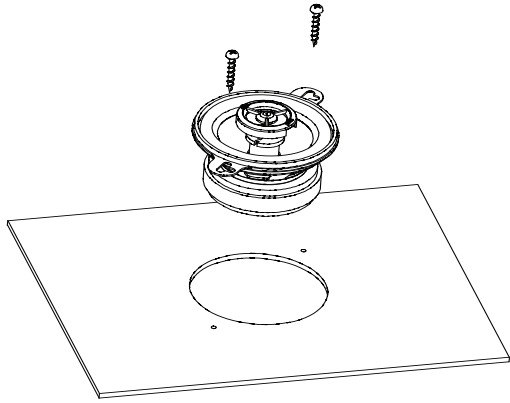
**Figure 2**  
BASS BLOCKER db351 WIRING CONNECTION



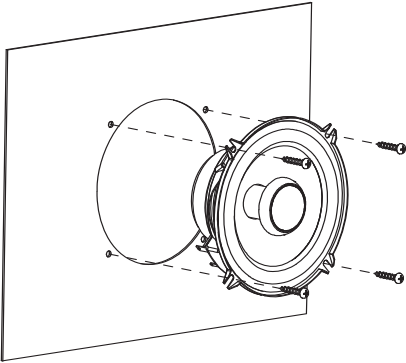
**Figure 3**  
BASIC COMPONENT CONNECTION  
INSTALLING db5251 & db6501



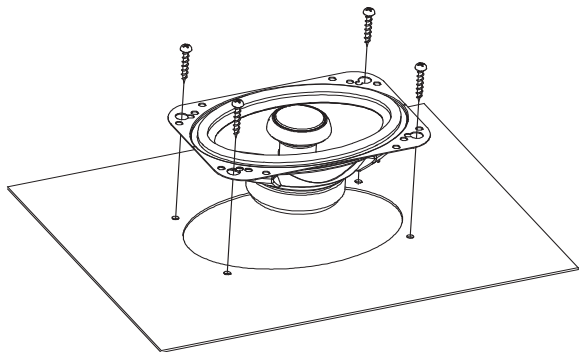
**Figure 4**  
INSTALLING db351  
ROUND MODEL



**Figure 5**  
INSTALLING db401, db501, db521, db651,  
db651s, db5251, db6501 ROUND MODELS

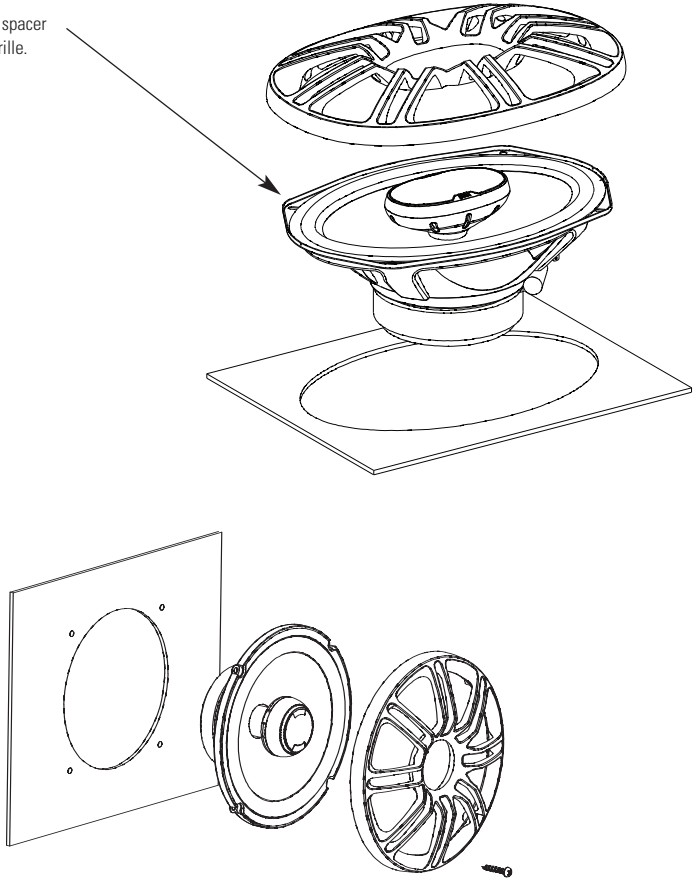


**Figure 6**  
INSTALLING db461, db461p, db571,  
OVAL MODELS



**Figure 7**  
INSTALLING db691  
OVAL MODEL WITH GRILLE

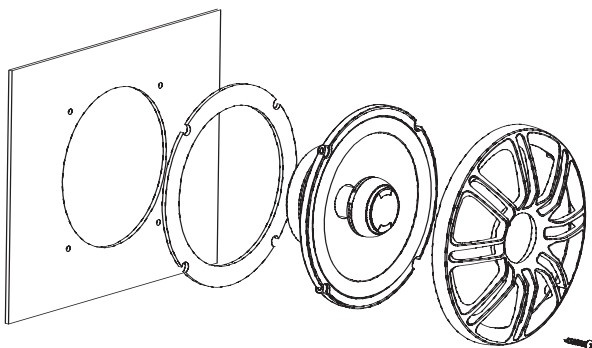
Remove bottom mount spacer ring before installing grille.



**Figure 8**  
INSTALLING db401, db521, db5251,  
ROUND MODELS WITH GRILLE

**Figure 9**

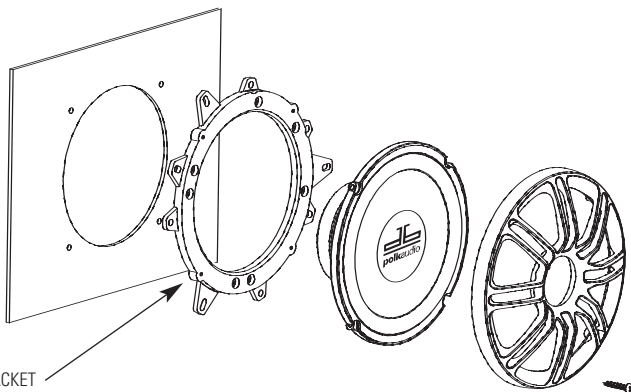
INSTALLING db651s, db651& db6501  
WITH GASKET AND GRILLE



**Figure 10**

INSTALLING db6501/db651 WITH GRILLE

Some applications may require using the  
additional spacer/adaptor bracket.

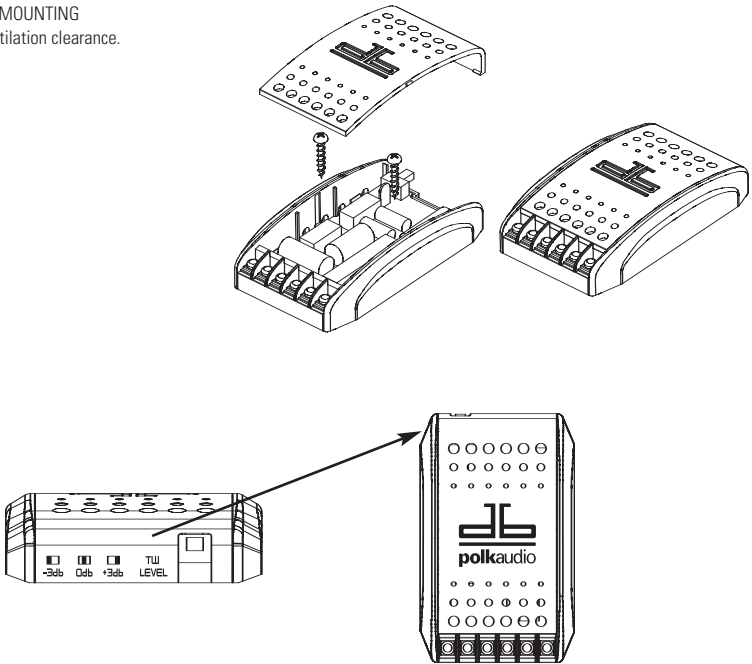


SPACER/ADAPTER BRACKET  
(for db6501/db651  
driver installation only)

**Figure 11**

**CROSSOVER MOUNTING**

Allow for ventilation clearance.



**Figure 12**

**TWEETER ATTENUATION SWITCH**

A 3-position switch (-3dB, 0dB, +3dB ) allows you to adjust tweeter level for the tonal balance that's right for your car and system.

**Figure 13**

**TWEETER ATTENUATION WIRE LOOP**

Cut this wire to reduce tweeter level 3dB.



## ENGLISH

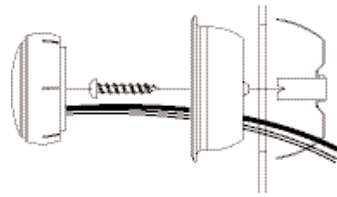
---

### DB6501 & DB5251

**Figure 14**  
**Flush Mount**

#### TWEETER MOUNTING

1. Check for proper clearance: The flush mount kit is 7/8" (22.2mm) deep.
2. Mark the center of the spot and cut a 2" (50.8mm) diameter hole using a hole saw, drill bit or razor knife.
3. Assemble the cup, clamp and machine screw loosely as shown.
4. Route wires through the round opening in the bottom of the cup.
5. Press the assembly into the 2" (50.8mm) diameter hole until the clamp edge is below the mounting surface, then tighten the screw. The legs of



the clamp can be bent outward by inserting a screwdriver through the holes in the cup while still mounted.

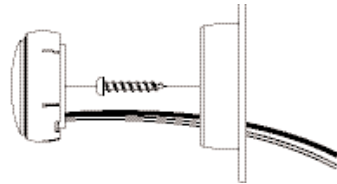
6. Connect wires from the tweeter terminals of the Crossover to the tweeter itself using the faston connectors. Connect the red wire from the (+) terminal of the Crossover tweeter output to the red (+) wire from the tweeter.
7. Mount the tweeter by snapping it into the mounting cup.

### DB6501 & DB5251

**Figure 15**  
**Surface Mount**

#### TWEETER MOUNTING

1. Using the base of the surface mount cup as a template, mark the screw hole and drill them using a 1/8" (3mm) drill bit. Drill a second hole (for the speaker wire) using a 3/16" (5mm) drill bit.
2. Screw surface mount cup to the panel.
3. Push the tweeter wires through the open area at the bottom of the cup and through the 3/16" (5mm) hole in the panel.



4. Connect wires from the tweeter terminals of the Crossover to the tweeter wires using faston connectors. Be sure to connect the red wire strand from the tweeter to the (+) terminal of the crossover tweeter output.
5. Mount the tweeter by snapping it into the mounting cup.

## ENGLISH

---

### db Series Full Range/Component Systems Specifications

	<b>db351</b>	<b>db401</b>	<b>db461</b>	<b>db461p</b>	<b>db501</b>	<b>db521</b>
Type	3 1/2" coaxial	4" coaxial	4" x 6" coaxial	4" x 6" plate	5" coaxial	5 1/4" coaxial
Driver complement	3 1/2" (8.89cm) mid/woofer	4" (10.2cm) mid/woofer	4" x 6" (10cm x 15cm) mid/woofer	4" (10.2cm) mid/woofer	5" (12.7cm) mid/woofer	5 1/4" (13.0cm) mid/woofer
Tweeter complement	1/2" (12mm) soft dome tweeter	3/4" (19mm) soft dome tweeter	3/4" (19mm) soft dome tweeter	3/4" (19mm) soft dome tweeter	3/4" (19mm) soft dome tweeter	3/4" (19mm) soft dome tweeter
Mounting dimensions	3 1/8" (79.36mm)	4" (101.6mm)	6" x 4" (152.4mm x 101.6mm)	6" x 4" (152.4mm x 101.6mm)	4" (101.6mm)	4 11/16" (119mm)
Mounting depth (top)	1 1/2" (38.1mm)	1 13/16" (46.0mm)	1 15/16" (49.2mm)	1 13/16" (46.04mm)	1 13/16" (46.0mm)	2 5/16" (58.7mm)
Mounting depth (bottom)	1 11/16" (42.86mm)	1 15/16" (49.21mm)	2" (50.8mm)	2" (50.8mm)	1 15/16" (49.21mm)	2 7/16" (61.9mm)
Peak Power handling	105w	135w	120w	150w	135w	135w
Continuous Power handling	35w	45w	40w	50w	45w	45w
Nominal Impedance	4 Ω	4 Ω	4 Ω	4 Ω	4 Ω	4 Ω
Frequency response	90-22kHz	85-22kHz	75-22kHz	71-22kHz	65-22kHz	60-22kHz
Grille height	n/a	3/4" (6.35mm)	n/a	n/a	n/a	1" (25.4mm)
Sensitivity	91dB	91dB	91dB	91dB	93dB	93dB

---



## db Series Full Range/Component Systems Specifications

<b>db571</b>	<b>db651</b>	<b>db651s</b>	<b>db691</b>	<b>db5251</b>	<b>db6501</b>	<b>db1001</b>
5" x 7" coaxial	6 1/2" coaxial	6 1/2" slim mount coaxial	6" x 9" three way	5 1/4" component system	6 1/2" component system	1" tweeter
5" x 7" (12.7cm x 17.8cm) mid/woofer	6 1/2" (16.0cm) mid/woofer	6 1/2" (16.0cm) mid/woofer	6" x 9" (15cm x 22.9cm) mid/woofer	5 1/4" (13.0cm) mid/woofer	6 1/2" (16.0cm) mid/woofer	n/a mid/woofer
3/4" (19mm) soft dome tweeter	3/4" (19mm) soft dome tweeter	3/4" (19mm) soft dome tweeter	1" (25.4mm) soft dome tweeter 3/4" (19mm) soft dome tweeter	1" (25.4mm) soft dome tweeter	1" (25.4mm) soft dome tweeter	1" (25.4mm) soft dome tweeter
7 1/8" x 4 15/16" (181mm x 125.4mm)	5" (127mm)	5" (127mm)	8 1/2" x 5 3/4" (215.9mm x 146mm)	4 11/16" (119mm)	5" (127mm)	2 1/16" (52.39mm) mounting cup
2 3/16" (55.6mm)	2" (50.8mm)	2" (50.8mm)	3 3/16" (81.0mm)	2 5/16" (58.7mm)	2" (50.8mm)	1 3/16" (30.2mm)
2 5/8" (66.7mm)	2 5/16" (58.74mm)	2 5/16" (58.7mm)	3 3/4" (95.2mm)	2 7/16" (61.9mm)	2 5/16" (58.7mm)	1 1/32" (26.2mm)
180w	180w	165w	300w	250w	300w	180w
60w	60w	55w	100w	100w	100w	60w
4 Ω	4 Ω	4 Ω	4 Ω	4 Ω	4 Ω	4 Ω
52-22kHz	35-22kHz	50-22kHz	35-22kHz	53-23kHz	35-23kHz	4kHz-23kHz
n/a	1 1/8" (28.58mm)	1 1/8" (28.58mm)	1 1/4" (31.75mm)	1" (25.4mm)	1 1/8" (28.58mm)	n/a
93dB	92dB	92dB	93dB	93dB	92dB	92dB