



REGISTER YOUR TOOLS
 @ <http://register.ryobitools.com>
 1-800-860-4050

OPERATOR'S MANUAL

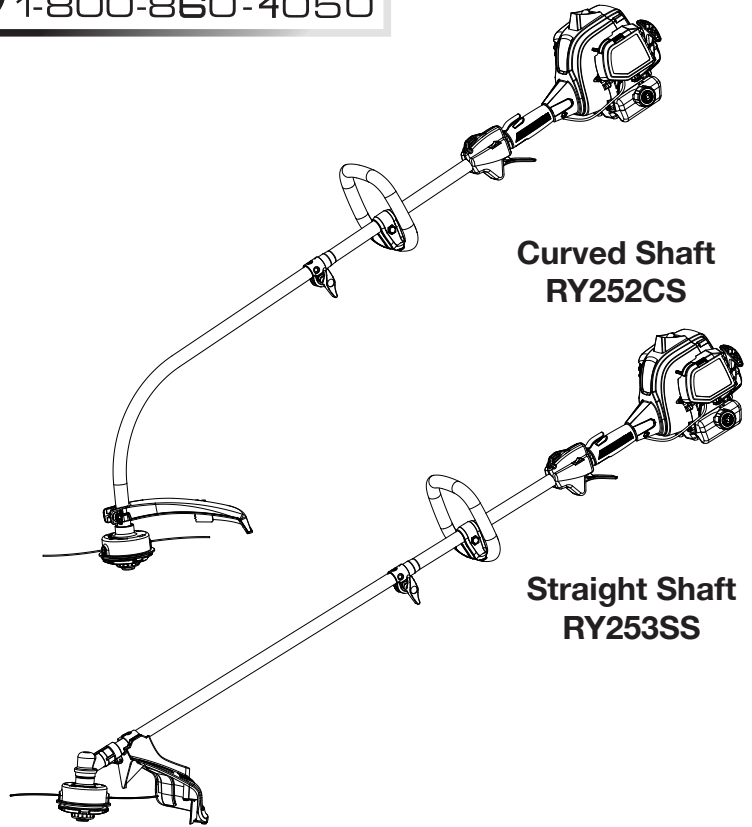
MANUEL D'UTILISATION
 MANUAL DEL OPERADOR

25_{cc} 2-CYCLE
 STRING TRIMMERS

TAILLE-BORDURES À LIGNE
 2 TEMPS DE 25 cc

RECORTADORAS DE HILO
 DE DOS TIMPOS 25 cc

ALL VERSIONS
 TOUTES LES VERSIONS
 TODAS LAS VERSIONES



Curved Shaft
 RY252CS

Straight Shaft
 RY253SS

NOTICE AVIS AVISO

Do not use E15 or E85 fuel (or fuel containing greater than 10% ethanol) in this product. It is a violation of federal law and will damage the unit and void your warranty.



Ne pas utiliser d'essence E15 ou E85 (ou un carburant contenant plus de 10 % d'éthanol) dans ce produit. Une telle utilisation représente une violation de la loi fédérale et endommagera l'appareil et annulera la garantie.

No utilice combustibles E15 o E85 (ni combustibles que contengan más de 10 % de etanol) con este producto. Esto constituye una violación a la ley federal, dañará la unidad y anulará la garantía.

Your string trimmer has been engineered and manufactured to our high standard for dependability, ease of operation, and operator safety. When properly cared for, it will give you years of rugged, trouble-free performance.

WARNING: To reduce the risk of injury, the user must read and understand the operator's manual before using this product.

SAVE THIS MANUAL FOR FUTURE REFERENCE

Le taille-bordures à ligne a été conçue et fabriquée conformément à nos strictes normes de fiabilité, simplicité d'emploi et sécurité d'utilisation. Correctement entretenue, elle vous donnera des années de fonctionnement robuste et sans problème.

Su recortadoras de hilo ha sido diseñada y fabricada de conformidad con las estrictas normas para brindar fiabilidad, facilidad de uso y seguridad para el operador. Con el debido cuidado, le brindará muchos años de sólido y eficiente funcionamiento.

AVERTISSEMENT : Pour réduire les risques de blessures, l'utilisateur doit lire et veiller à bien comprendre le manuel d'utilisation avant d'employer ce produit.

ADVERTENCIA: Para reducir el riesgo de lesiones, el usuario debe leer y comprender el manual del operador antes de usar este producto.

**CONSERVER CE MANUEL POUR
 FUTURE RÉFÉRENCE**

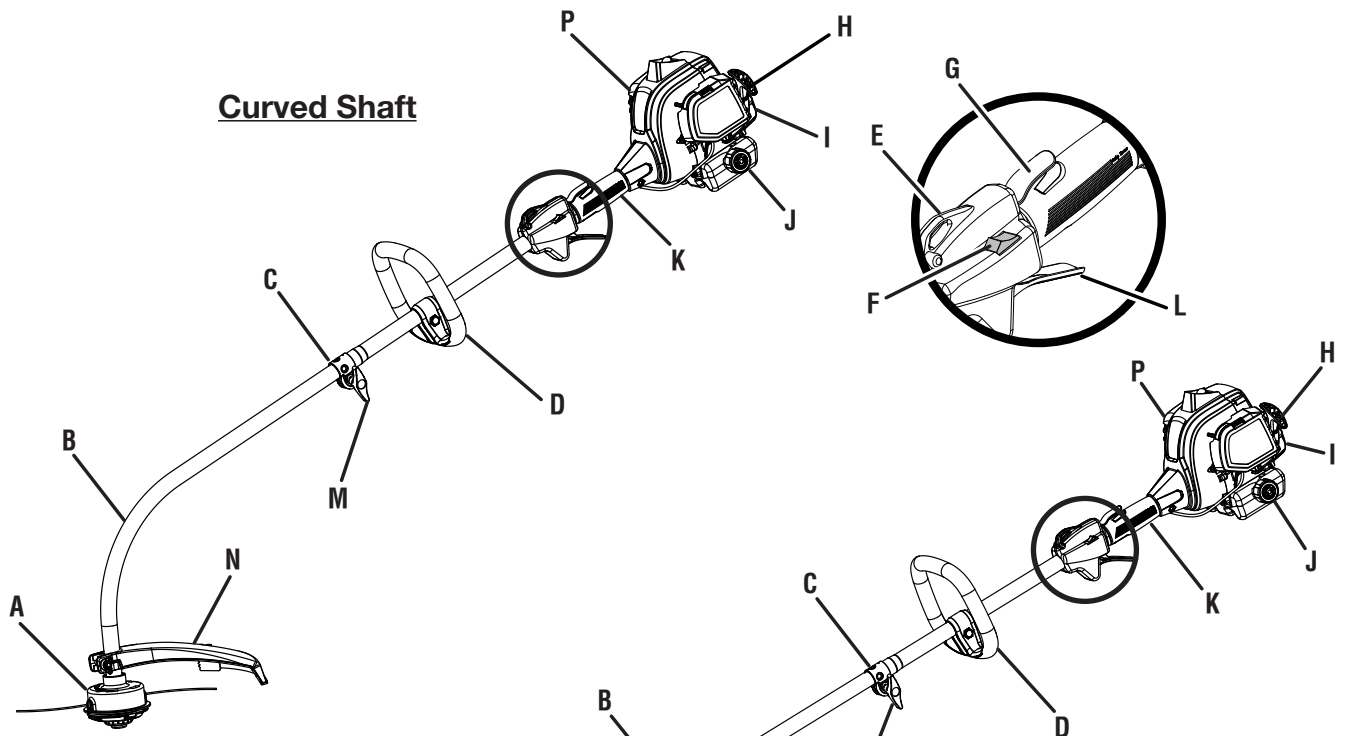
**GUARDE ESTE MANUAL PARA
 FUTURAS CONSULTAS**

See this fold-out section for all the figures referenced in the operator's manual.

Voir que cette section d'encart pour toutes les figures a adressé dans le manuel d'utilisation.

Vea esta sección de la página desplegable para todas las figuras mencionó en el manual del operador.

Fig. 1

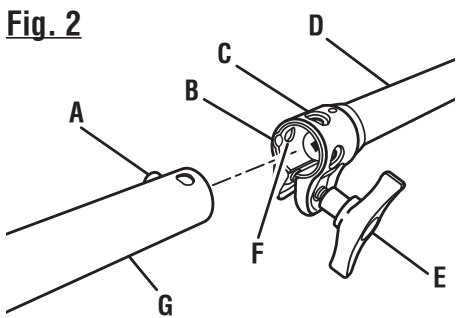


- A - REEL-EASY tap advance string head (avance de la ligne de coupe à tapant REEL-EASY, sistema de avance de hilo por golpe REEL-EASY)
- B - Drive shaft housing (tube de l'arbre moteur, alojamiento del eje de impulsión)
- C - Coupler (coupleur, acoplador)
- D - Front handle (poignée avant, mango delantero)
- E - Strap hanger (dispositif d'accrochage, colgador para la correa)
- F - Stop switch (interrupteur d'arrêt, interruptor de parada)
- G - Trigger lock-out (verrouillage de gâchette, seguro del gatillo)
- H - Starter grip and rope (poignée du lanceur et corde, mango del arrancador y cuerda)

- I - Primer bulb (poire d'amorçage, bomba de cebado)
- J - Fuel cap (bouchon de carburant, tapa del tanque)
- K - Rear handle (poignée arrière, mango trasero)
- L - Throttle trigger (gâchette d'accélérateur, gatillo del acelerador)
- M - Knob (bouton, perilla)

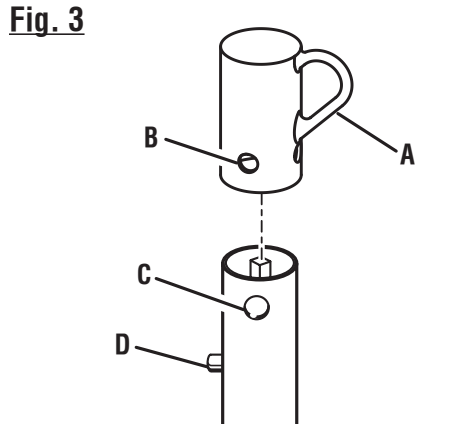
- N - Curved shaft grass deflector (déflecteur d'herbe d'arbre courbe, deflector de pasto del eje curvo)
- O - Straight shaft grass deflector (déflecteur d'herbe d'arbre droit, deflector de pasto para eje recto)
- P - Muffler (silencieux, silenciador)

Fig. 2



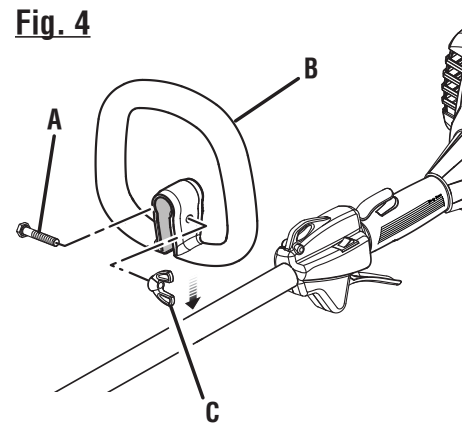
- A - Button (bouton, botón)
- B - Guide recess (logement guide, hueco guía)
- C - Coupler (coupleur, acoplador)
- D - Power head shaft (arbre du bloc moteur, eje del cabezal motor)
- E - Knob (bouton, perilla)
- F - Positioning hole (trou de positionnement, orificio de posicionamiento)
- G - Trimmer attachment (accessoire taille-bordures, aditamento para recortar)

Fig. 3



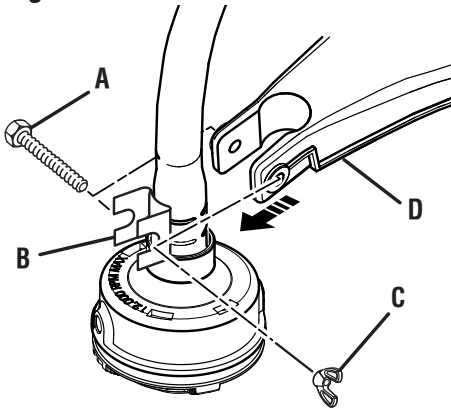
- A - Hanger cap (capuchon de suspension, tapa de suspensión)
- B - Hole (trou, orificio)
- C - Secondary hole (trou secondaire, orificio secundario)
- D - Button (bouton, botón)

Fig. 4



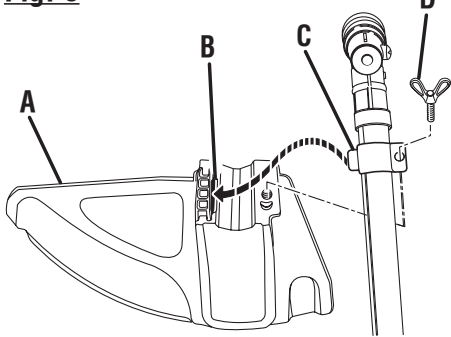
- A - Bolt (boulon, perno)
- B - Front handle (poignée avant, mango delantero)
- C - Wing nut (écrou papillon, tuerca de mariposa)

Fig. 5



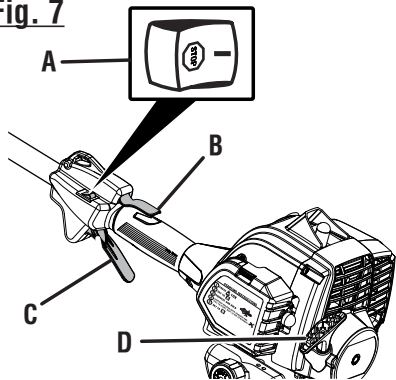
- A - Bolt (boulon, perno)
- B - Bracket (support, placa)
- C - Wing nut (écrou à oreilles, tuerca de mariposa)
- D - Curved shaft grass deflector (déflecteur d'herbe d'arbre courbe, deflector de pasto del eje curvo)

Fig. 6



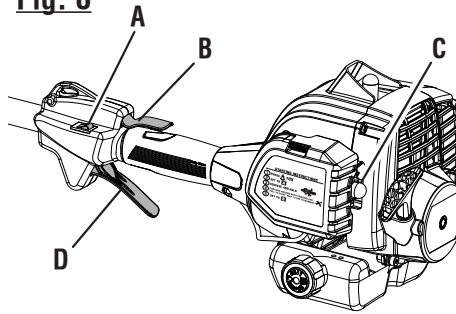
- A - Straight shaft grass deflector (déflecteur d'herbe d'arbre droit, deflector de pasto para eje recto)
- B - Slot (fente, ranura)
- C - Tab (languette, orejeta)
- D - Wing screw (vis à oreilles, tornillo de mariposa)

Fig. 7



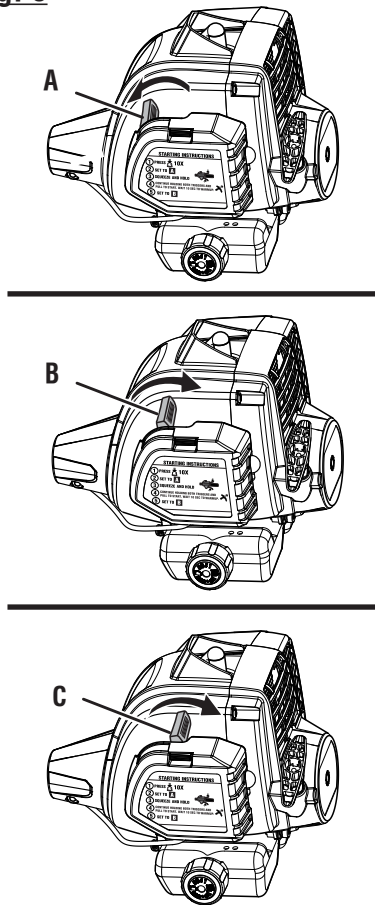
- A - Stop switch (interrupteur d'arrêt, interruptor de parada)
- B - Trigger lock-out (verrouillage de gâchette, seguro del gatillo)
- C - Throttle trigger (gâchette d'accélérateur, gatillo del acelerador)
- D - Starter grip and rope (poignée du lanceur et corde, mango del arrancador y cuerda)

Fig. 8



- A - Stop switch (interrupteur d'arrêt, interruptor de parada)
- B - Trigger lock-out (verrouillage de gâchette, seguro del gatillo)
- C - Primer bulb (poire d'amorçage, bomba de cebado)
- D - Throttle trigger (gâchette d'accélérateur, gatillo del acelerador)

Fig. 9



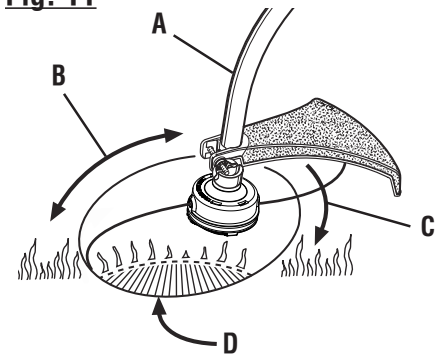
- A - Choke lever in FULL CHOKE position [levier de volet de départ en position FULL CHOKE (complètement ouvert), palanca del anegador en posición de FULL CHOKE (anegación máxima)]
- B - Choke lever in HALF CHOKE position (levier de volet de départ en position HALF CHOKE (demi étranglement), palanca del anegador en posición de HALF CHOKE (anegación media)]
- C - Choke lever in RUN position [levier de volet de départ en position RUN (marche), palanca del anegador en posición de RUN (marcha)]

Fig. 10

**PROPER OPERATING POSITION
BONNE POSITION DE TRAVAIL
POSICIÓN CORRECTA PARA EL MANEJO
DE LA HERRAMIENTA**

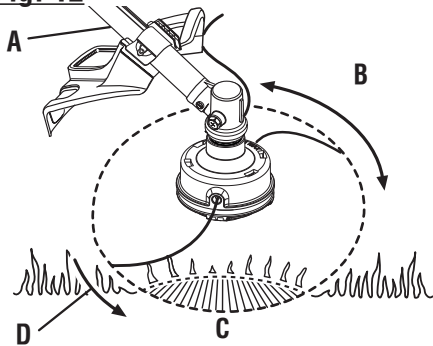


Fig. 11



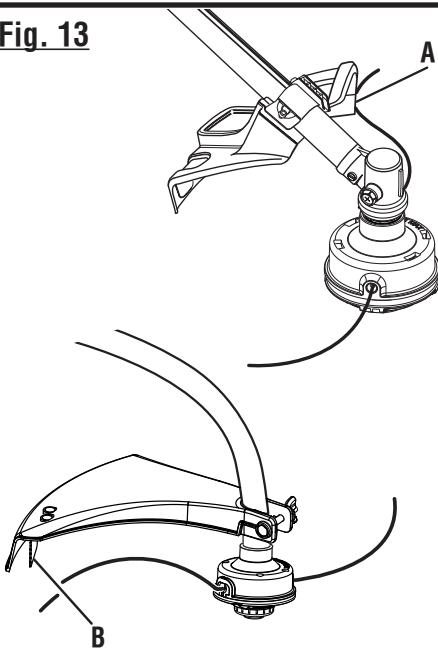
- A - Curved shaft trimmer (taille-bordures à arbre courbe, recortadora de eje curvo)
- B - Dangerous cutting area (zone de coupe dangereuse, área peligrosa de corte)
- C - Direction of rotation (sens de rotation, sentido de rotación)
- D - Best cutting area (zone d'efficacité maximum, mejor área de corte)

Fig. 12



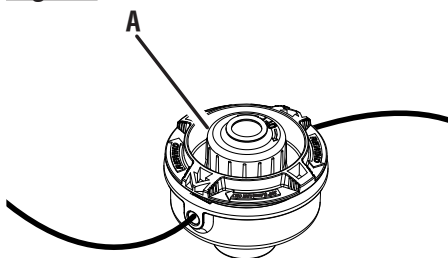
- A - Straight shaft trimmer (taille-bordures à arbre droit, recortadora de eje recto)
- B - Dangerous cutting area (zone de coupe dangereuse, área peligrosa de corte)
- C - Best cutting area (zone d'efficacité maximum, mejor área de corte)
- D - Direction of rotation (sens de rotation, sentido de rotación)

Fig. 13



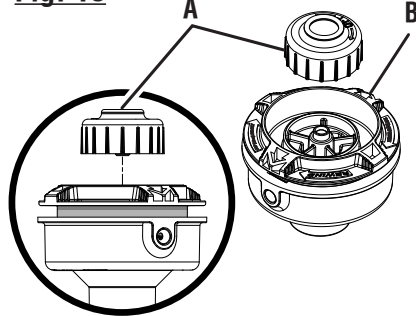
- A - Straight shaft trimmer cut-off blade (lame de sectionnement de ligne du taille-bordures à arbre droit, cuchilla de corte de hilo de la recortadora de eje recto)
- B - Curved shaft trimmer cut-off blade (lame de sectionnement de ligne du taille-bordures à arbre courbe, cuchilla de corte de hilo de la recortadora de eje recto)

Fig. 14



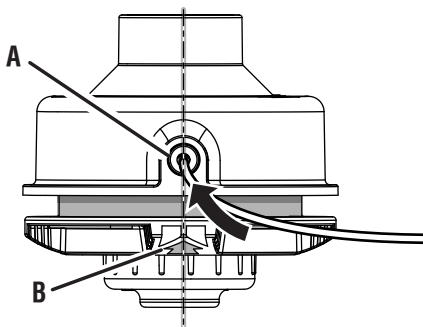
- A - Spool retainer (retenue de bobine, retén del carrete)

Fig. 15



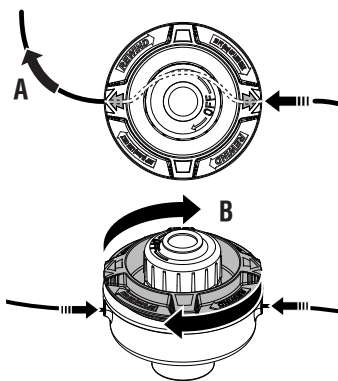
- A - Spool retainer (retenue de bobine, retén del carrete)
- B - Spool (bobine, carrete)

Fig. 16



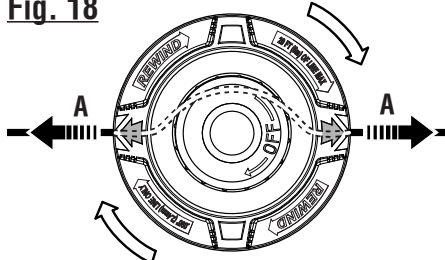
- A - Eyelet (œillet, ojo)
- B - Arrow on spool (flèche sur la bobine, flecha en el carrete)

Fig. 17



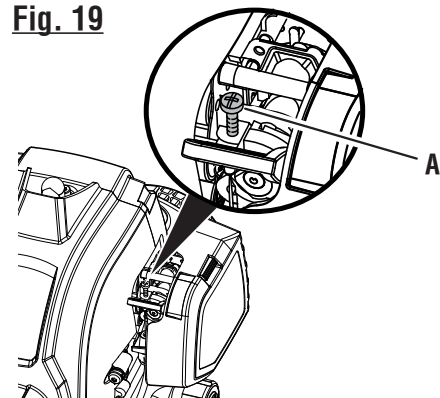
- A - Pull strings (tirer vers l'extérieur, tira del hilo)
- B - Rotate the spool clockwise (tourner le bobine dans le sens horaire, gire a la derecha el carrete)

Fig. 18



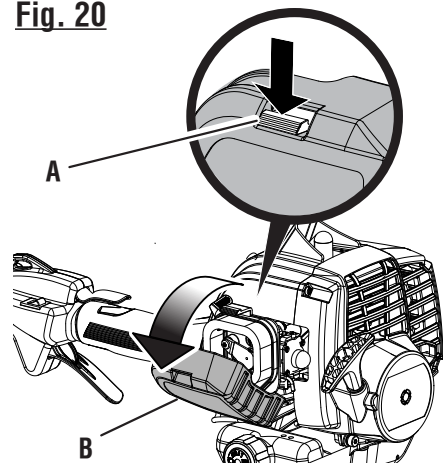
- A - Pull strings (tirer vers l'extérieur, tira del hilo)

Fig. 19



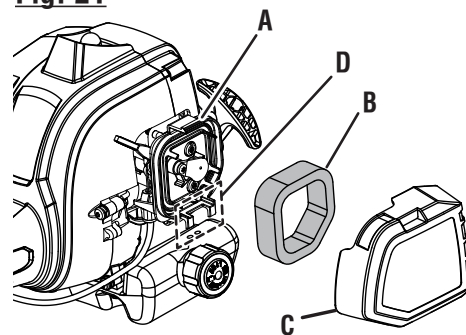
- A - Idle speed screw (vis de ralenti, tornillo de marcha lenta)

Fig. 20



- A - Latch (loquet, pestillo)
- B - Air filter cover (couverture du filtre à air, tapa del filtro de aire)

Fig. 21



- A - Latches (loquets, pestillos)
- B - Air filter (filtre à air, filtro de aire)
- C - Air filter cover (couverture du filtre à air, tapa del filtro de aire)
- D - Slots (fentes, ranuras)

TABLE OF CONTENTS

TABLE DES MATIÈRES / ÍNDICE DE CONTENIDO

■ Introduction	2
Introduction / Introducción	
■ General Safety Rules	3-4
Règles de sécurité générales / Reglas de seguridad generales	
■ Specific Safety Rules.....	4
Règles de sécurité particulières / Reglas de seguridad específicas	
■ Symbols.....	5
Symboles / Símbolos	
■ Features.....	6
Caractéristiques / Características	
■ Assembly	6-7
Assemblage / Armado	
■ Operation.....	8-10
Utilisation / Funcionamiento	
■ Maintenance	11-13
Entretien / Mantenimiento	
■ Troubleshooting	14
Dépannage / Solución de problemas	
■ Warranty	15
Garantie / Garantía	
■ Parts Ordering and Service	Back Page
Commande de pièces et réparation / Pedidos de piezas y servicio	Page arrière / Pág. posterior

INTRODUCTION

INTRODUCTION / INTRODUCCIÓN

This product has many features for making its use more pleasant and enjoyable. Safety, performance, and dependability have been given top priority in the design of this product making it easy to maintain and operate.

* * *

Ce produit offre de nombreuses fonctions destinées à rendre son utilisation plus plaisante et satisfaisante. Lors de la conception de ce produit, l'accent a été mis sur la sécurité, les performances et la fiabilité, afin d'en faire un outil facile à utiliser et à entretenir.

* * *

Este producto ofrece numerosas características para hacer más agradable y placentero su uso. En el diseño de este producto se ha conferido prioridad a la seguridad, el desempeño y la fiabilidad, por lo cual se facilita su manejo y mantenimiento.

GENERAL SAFETY RULES



WARNING:

READ AND UNDERSTAND ALL INSTRUCTIONS.

Failure to follow all instructions listed below may result in electric shock, fire and/or serious personal injury.

READ ALL INSTRUCTIONS

- For safe operation, read and understand all instructions before using this product. Follow all safety instructions. Failure to follow all safety instructions listed below, can result in serious personal injury.
 - Do not allow children or untrained individuals to use this unit.
 - Do not start or operate the engine in a confined space, building, near open windows, or in other unventilated space where dangerous carbon monoxide fumes can collect. Carbon monoxide, a colorless, odorless, and extremely dangerous gas, can cause unconsciousness or death.
 - Clear the work area before each use. Remove all objects such as rocks, broken glass, nails, wire, or loose string which can be thrown or become entangled in the cutting line or blade.
 - Always wear eye protection with side shields marked to comply with ANSI Z87.1 along with hearing protection when operating this equipment. Failure to do so could result in objects being thrown into your eyes and other possible serious injuries.
 - Wear heavy, long pants, long sleeves, boots, and gloves. Do not wear loose fitting clothing, short pants, sandals, or go barefoot. Do not wear jewelry of any kind.
 - Heavy protective clothing may increase operator fatigue, which could lead to heat stroke. During weather that is hot and humid, heavy work should be scheduled for early morning or late afternoon hours when temperatures are cooler.
 - Never operate this unit on the operator's left side.
 - Secure long hair above shoulder level to prevent entanglement in moving parts.
 - Keep all bystanders, children, and pets at least 50 ft. away. Bystanders should be encouraged to wear eye protection. If you are approached, stop the engine and cutting attachment. In the case of bladed units, there is the added risk of injury to bystanders from being struck with the moving blade in the event of a blade thrust or other unexpected reaction of the saw.
 - Do not operate this unit when you are tired, ill, upset, or under the influence of alcohol, drugs, or medication.
 - Do not operate in poor lighting.
 - Keep firm footing and balance. Do not overreach. Overreaching can result in loss of balance or exposure to hot surfaces.
 - Do not use on a ladder or unstable support. Stable footing on a solid surface enables better control of the unit in unexpected situations.
 - Keep all parts of your body away from any moving part.
 - To avoid hot surfaces, never operate the unit with the bottom of the engine above waist level.
 - Do not touch area around the muffler or cylinder of the unit, these parts get hot from operation. Contact with hot surfaces could result in possible serious personal injury.
 - Always stop the engine and remove the spark plug wire before making any adjustments or repairs except for carburetor adjustments.
 - Inspect the unit before each use for loose fasteners, fuel leaks, etc. Replace any damaged parts before use.
 - Never use blades, flailing devices, wire, or rope on trimmer attachment. Never use flailing devices, wire, or rope on any attachment.
 - The cutting attachment should never rotate at idle during normal use. The cutting attachment may rotate at idle during carburetor adjustments.
 - It has been reported that vibrations from hand-held tools may contribute to a condition called Raynaud's Syndrome in certain individuals. Symptoms may include tingling, numbness, and blanching of the fingers, usually apparent upon exposure to cold. Hereditary factors, exposure to cold and dampness, diet, smoking, and work practices are all thought to contribute to the development of these symptoms. It is presently unknown what, if any, vibrations or extent of exposure may contribute to the condition. There are measures that can be taken by the operator to possibly reduce the effects of vibration:
 - a) Keep your body warm in cold weather. When operating the unit wear gloves to keep hands and wrists warm. It is reported that cold weather is a major factor contributing to Raynaud's Syndrome.
 - b) After each period of operation, exercise to increase blood circulation.
 - c) Take frequent work breaks. Limit the amount of exposure per day.
 - d) Keep the tool well maintained, fasteners tightened, and worn parts replaced.
- If you experience any of the symptoms of this condition, immediately discontinue use and see your physician about these symptoms.
- Mix and store fuel in a container approved for gasoline.
 - Mix fuel outdoors where there are no sparks or flames. Wipe up any fuel spillage. Move 30 ft. away from refueling site before starting engine. Slowly remove the fuel cap after stopping engine. Do not smoke when refueling.
 - Stop the engine and allow to cool before refueling or storing the unit.

GENERAL SAFETY RULES




- Allow the engine to cool; empty the fuel tank and secure the unit from moving before transporting in a vehicle.
- Wear your protective equipment and observe all safety instructions. For units equipped with a clutch, be sure the cutting attachment stops turning when the engine idles. When the unit is turned off make sure the cutting attachment has stopped before the unit is set down.

SPECIFIC SAFETY RULES









- Inspect before use. Replace damaged parts. Make sure fasteners are in place and secure. Check for fuel leaks.
- Replace string head if cracked, chipped, or damaged in any way. Be sure the string head or blade is properly installed and securely fastened. Failure to do so can cause serious injury.
- Make sure all guards, straps, deflectors, and handles are properly and securely attached.
- Use only identical replacement line in the cutting head. Do not use any other cutting attachment. To install any other type of replacement line or cutting head to this string trimmer can result in serious personal injury. Never use, for example, wire or wire-rope, which can break off and become a dangerous projectile.
- Never operate unit without the grass deflector in place and in good condition.
- Maintain a firm grip on both handles while trimming. Keep string head below waist level. Never cut with the string head located over 30 in. or more above the ground.
- This product is intended for infrequent use by homeowners and other occasional users for such general applications as trimming light and heavy vegetation, etc. It is not intended for prolonged use. Prolonged periods of operation can cause circulatory problems in the user's hands due to vibration. For such use, it may be appropriate to use a product having an anti-vibration feature.
- Save these instructions. Refer to them frequently and use them to instruct others who may use this tool. If you loan someone this tool, loan them these instructions also.

SYMBOLS

The following signal words and meanings are intended to explain the levels of risk associated with this product.

SYMBOL	SIGNAL	MEANING
	DANGER:	Indicates an imminently hazardous situation, which, if not avoided, will result in death or serious injury.
	WARNING:	Indicates a potentially hazardous situation, which, if not avoided, could result in death or serious injury.
	CAUTION:	Indicates a potentially hazardous situation, which, if not avoided, may result in minor or moderate injury.
	NOTICE:	(Without Safety Alert Symbol) Indicates important information not related to an injury hazard, such as a situation that may result in property damage.

Some of the following symbols may be used on this product. Please study them and learn their meaning for safe operation of this product.

SYMBOL	NAME	EXPLANATION
	Safety Alert	Indicates a potential personal injury hazard.
	Read Operator's Manual	To reduce the risk of injury, user must read and understand operator's manual before using this product.
	Eye and Hearing Protection	Always wear eye protection with side shields marked to comply with ANSI Z87.1 along with hearing protection when operating this equipment.
	Keep Bystanders Away	Keep all bystanders at least 50 ft. away.
	Ricochet	Thrown objects can ricochet and result in personal injury or property damage.
	No Blade	Do not install or use any type of blade on a product displaying this symbol.
	Hot Surface	To reduce the risk of injury or damage, avoid contact with any hot surface.
	Gasoline and Lubricant	Use unleaded gasoline intended for motor vehicle use with an octane rating of 87 [(R + M) / 2] or higher. This product is powered by a 2-cycle engine and requires pre-mixing gasoline and 2-cycle lubricant.

FEATURES

PRODUCT SPECIFICATIONS

Line cutting width	
Curved Shaft.....	17 in.
Straight Shaft.....	18 in.
Engine displacement25cc
Line diameter.....	0.095 in.

KNOW YOUR PRODUCT

See Figure 1.

The safe use of this product requires an understanding of the information on the tool and in this operator's manual as well as a knowledge of the project you are attempting. Before use of this product, familiarize yourself with all operating features and safety rules.

ERGONOMIC DESIGN

The design of the trimmer provides for easy handling. It is designed for comfort and ease of grasp when operating in different positions and at different angles.

GRASS DEFLECTOR

The product includes a grass deflector that helps protect you from flying debris.

REEL-EASY™ TAP ADVANCE SYSTEM

The Reel-Easy Tap Advance System allows easy line advance during trimmer operation.

TOP-MOUNTED ENGINE

The top-mounted engine improves balance and is located away from the dust and debris of the cutting area.

ASSEMBLY

UNPACKING

This product requires assembly.

- Carefully remove the items from the box. Make sure that all items listed in the packing list are included.

WARNING:

Do not use this product if any parts on the packing list are already assembled to your product when you unpack it. Parts on this list are not assembled to the product by the manufacturer and require customer installation. Use of a product that may have been improperly assembled could result in serious personal injury.

- Inspect the unit carefully to make sure no damage occurred during shipping.
- Do not discard the packing material until you have carefully inspected and satisfactorily operated the product.
- If any parts are damaged or missing, please call 1-800-860-4050 for assistance.

PACKING LIST

Curved Shaft

Trimmer Assembly
Front Handle with Hardware
Curved Shaft Grass Deflector
Bottle of 2-Cycle Lubricant
Operator's Manual

Straight Shaft

Trimmer Assembly
Front Handle with Hardware
Straight Shaft Grass Deflector
Bottle of 2-Cycle Lubricant
Operator's Manual

WARNING:

If any parts are damaged or missing do not operate this product until the parts are replaced. Use of this product with damaged or missing parts could result in serious personal injury.

ASSEMBLY

WARNING:

Do not attempt to modify this product or create accessories not recommended for use with this product. Any such alteration or modification is misuse and could result in a hazardous condition leading to possible serious personal injury.

WARNING:

To prevent accidental starting that could cause serious personal injury, always disconnect the engine spark plug wire from the spark plug when assembling parts.

INSTALLING THE POWER HEAD TO THE ATTACHMENT

See Figure 2.

WARNING:

Never install, remove, or adjust any attachment while power head is running. Failure to stop the engine can cause serious personal injury.

The attachment connects to the power head by means of a coupler device.

- Stop the engine and disconnect the spark plug wire.
- Loosen the knob on the coupler of the power head shaft and remove the hanger cap from the attachment.
- Push in the button located on the trimmer attachment. Align the button with the guide recess on the power head coupler and slide the two shafts together. Rotate the trimmer attachment until the button locks into the positioning hole.

NOTE: If the button does not release completely in the positioning hole, the shafts are not locked into place. Slightly rotate from side to side until the button is locked into place.

- Tighten the knob securely.

WARNING:

Be certain the knob is fully tightened before operating equipment; check it periodically for tightness during use to avoid serious personal injury.

REMOVING THE ATTACHMENT FROM THE POWER HEAD

- Stop the engine and disconnect the spark plug wire.
- Loosen the knob.
- Push in the button and twist the shafts to remove and separate ends.

ATTACHING THE STORAGE HANGER

See Figure 3.

There are two ways to hang your attachment for storage.

- To use the hanger cap, push in the button and place the hanger cap over end of trimmer attachment. Slightly rotate the cap from side to side until the button locks into place.
- The secondary hole in the trimmer attachment can be used for hanging purposes as well.

ATTACHING THE FRONT HANDLE

See Figure 4.

- Remove wing nut and bolt from the front handle.
- Install the front handle onto the top side of the drive shaft housing in the area indicated by the label.
- Place the bolt through the front handle.
NOTE: The hex bolt head fits inside the hex recess molded into one side of the handle.
- Reinstall the wing nut.
- Tighten wing nut securely.

ATTACHING THE GRASS DEFLECTOR

WARNING:

The line cutting blade on the grass deflector is sharp. Avoid contact with the blade. Failure to avoid contact can result in serious personal injury.

TO ATTACH THE CURVED SHAFT GRASS DEFLECTOR

See Figure 5.

- Remove hex screw and wing nut from grass deflector.
- Press the grass deflector onto the bottom of the curved shaft as shown.
- Insert the hex screw through the grass deflector and the bracket on the curved shaft.
- Place the wing nut on the hex screw and tighten securely.

TO ATTACH THE STRAIGHT SHAFT GRASS DEFLECTOR

See Figure 6.

- Remove the wing screw from the grass deflector.
- Insert the tab on the mounting bracket in the slot on the grass deflector.
- Align the screw hole in the mounting bracket with the screw hole in the grass deflector.
- Insert the wing screw through the mounting bracket and into the grass deflector.
- Tighten the screw securely.

OPERATION

WARNING:

Do not allow familiarity with this product to make you careless. Remember that a careless fraction of a second is sufficient to inflict serious injury.

WARNING:

Always wear eye protection with side shields marked to comply with ANSI Z87.1, along with hearing protection. Failure to do so could result in objects being thrown into your eyes and other possible serious injuries.

WARNING:

Never use blades, flailing devices, wire, or rope on this product. Do not use any attachments or accessories not recommended by the manufacturer of this product. The use of attachments or accessories not recommended can result in serious personal injury.

NOTICE:

The spark arrestor on this product has not been evaluated by the USDA Forest Service and cannot be used on U.S. forest lands. In addition, product users must comply with Federal, State, and local fire prevention regulations. Check with appropriate authorities. Refer to accompanying engine manual for maintenance and replacement parts.

NOTICE:

Before each use, inspect the entire product for damaged, missing, or loose parts such as screws, nuts, bolts, caps, etc. Tighten securely all fasteners and caps and do not operate this product until all missing or damaged parts are replaced. Please call 1-800-860-4050 or contact an authorized service center for assistance.

FUELING AND REFUELING THE TRIMMER

WARNING:

Gasoline and its vapors are highly flammable and explosive. To prevent serious personal injury and property damage, handle it with care. Keep away from ignition sources and open flames, handle outdoors only, do not smoke and wipe up spills immediately.

FUEL MIXTURE

This product is powered by a 2-cycle engine and requires pre-mixing gasoline and 2-cycle lubricant. Pre-mix unleaded gasoline and 2-cycle engine lubricant in a clean container approved for gasoline. DO NOT mix quantities larger than usable in a 30-day period.

Recommended fuel: This engine is certified to operate on unleaded gasoline intended for automotive use.

NOTE: We recommend you use Ethanol Shield 2-cycle lubricant, PowerCare 2-cycle lubricant, or an equivalent high-quality synthetic 2-cycle lubricant in this product. Mix at 2.6 oz. per gallon (US).

Do not use automotive lubricant or 2-cycle outboard lubricant.

HIGH QUALITY 2-CYCLE ENGINE LUBRICANT



GASOLINE

LUBRICANT

1.0 gal. (US) (3.8 liter)

2.6 oz. (76 ml)

2.5 gal. (US) (9.5 liter)

6.4 oz. (189 ml)

FILLING TANK

- Clean surface around fuel cap to prevent contamination.
- Loosen fuel cap slowly. Rest the cap on a clean surface.
- Carefully pour fuel into the tank. Avoid spillage.
- Prior to replacing the fuel cap, clean and inspect the gasket.
- Immediately replace fuel cap and hand tighten. Wipe up any fuel spillage.

NOTE: It is normal for smoke to be emitted from a new engine after first use.

WARNING:

Always shut off engine before fueling. Never add fuel to a machine with a running or hot engine. Move at least 30 ft. from refueling site before starting engine. Do not smoke! Failure to safely handle fuel could result in serious personal injury.

OPERATION

OXYGENATED FUELS

NOTICE:

Do not use E15 or E85 fuel (or fuel containing greater than 10% ethanol) in this product. It is a violation of federal law and will damage the unit and void your warranty.

Fuel system damage or performance problems resulting from the use of an oxygenated fuel containing more than the percentage of oxygenates stated below **are not covered under warranty.**

Ethanol. Gasoline containing up to 10% ethanol by volume (commonly referred to as E10) is acceptable. **E15 and E85 are not.**

NOTE: To improve performance when using oxygenated fuels, we recommend the use of Ethanol Shield 2-cycle lubricant.

STARTING AND STOPPING

See Figures 7 - 9.

Trimmer should be on a flat, bare surface for starting.

To start a cold engine:

- Lay the product on a flat, bare surface.
- Push the primer bulb approximately ten times.
- Set the choke lever to **FULL CHOKE**.
- Depress lock-out button and squeeze throttle trigger fully and pull starter handle sharply until engine attempts to start (no more than 4x).
- Set the choke lever to **HALF CHOKE**.
- Pull starter handle until engine runs, no more than 6 pulls.
- Set the choke lever to **RUN**.


NOTE: In cooler environments, additional pulls of the starter handle may be required with the choke lever in the **FULL CHOKE** position.

To start a warm engine:

- Lay the product on a flat, bare surface.
- Push the primer bulb up to ten times.
- Set the choke lever to **RUN**.
- Depress lock-out button and squeeze throttle trigger fully, pull the starter cord.

NOTE: If the product does not start, repeat the previous steps.

To stop the engine:

- To stop the engine, depress the **STOP** switch to the stop position “”.

IF ASSISTANCE IS REQUIRED FOR THIS PRODUCT:

Do not return this product to the retail store where it was purchased. Please call our Customer Service Department for any issues you may have.

For Help Call: 1-800-860-4050

OPERATING THE TRIMMER

See Figures 9 - 10.

WARNING:

Engine housing can become hot during trimmer operation. Do not rest or place your arm, hand, or any body part against the engine housing during trimmer operation. Only hold the trimmer as shown in Figure 10 with all body parts clear of engine housing. Extended contact with the engine housing can result in burns or other injuries.

WARNING:

Always position the unit on the operator's right side. The use of the unit on the operator's left side will expose the user to hot surfaces and can result in possible burn injury.

WARNING:

To avoid burns from hot surfaces, never operate unit with the bottom of the engine above waist level.

Hold the trimmer with your right hand on the rear handle and your left hand on the front handle. Keep a firm grip with both hands while in operation. Trimmer should be held at a comfortable position with the rear handle about hip height.

Always operate trimmer in **RUN** position. Cut tall grass from the top down. This will prevent grass from wrapping around the shaft housing and string head which could cause damage from overheating. If grass becomes wrapped around the string head, **STOP THE ENGINE**, disconnect the spark plug wire, and remove the grass. Prolonged cutting at partial throttle will result in lubricant dripping from the muffler.

WARNING:

Always hold the string trimmer away from the body keeping clearance between the body and the product. Any contact with the housing or string trimmer cutting head can result in burns and/or other serious personal injury.

OPERATION

CUTTING TIPS

See Figures 10 - 12.

- Avoid hot surfaces by always keeping the tool away from your body. (Proper operating position shown in figure 10.)
- Keep the trimmer tilted toward the area being cut; this is the best cutting area.
- The curved shaft trimmer cuts when passing the unit from right to left. The straight shaft trimmer cuts when passing the unit from left to right. This will avoid throwing debris at the operator. Avoid cutting in the dangerous area shown in illustration.
- Use the tip of line to do the cutting; do not force string head into uncut grass.
- Wire and picket fences cause extra line wear, even breakage. Stone and brick walls, curbs, and wood may wear line rapidly.
- Avoid trees and shrubs. Tree bark, wood moldings, siding, and fence posts can easily be damaged by the line.

TO ADVANCE THE CUTTING LINE (REEL -EASY STRING HEAD)

Line advance is controlled by tapping the string head on grass while running engine at full throttle.

- Run engine at full throttle.
- Tap the knob on ground to advance line. The line advances each time the knob is tapped. Do not hold the knob on the ground.

NOTE: The line trimming cut-off blade on the grass deflector will cut the line to the correct length.

NOTE: If the line is worn too short you may not be able to advance the line by tapping it on the ground. If so, stop the engine and manually advance the line.

To advance the cutting line manually:

- Stop the engine and disconnect the spark plug wire.
- Push the knob in while pulling on line(s) to manually advance the line.

GRASS DEFLECTOR LINE TRIMMING CUT-OFF BLADE

See Figure 13.

The trimmer is equipped with a line trimming cut-off blade on the grass deflector. For best cutting, advance line until it is trimmed to length by the cut-off blade. Advance the line whenever you hear the engine running faster than normal, or when trimming efficiency diminishes. This will maintain best performance and keep the line long enough to advance properly.

MAINTENANCE

WARNING:

When servicing, use only identical replacement parts. Use of any other parts could create a hazard or cause product damage.

WARNING:

Always wear eye protection with side shields marked to comply with ANSI Z87.1, along with hearing protection. Failure to do so could result in objects being thrown into your eyes and other possible serious injuries.

WARNING:

Before inspecting, cleaning, or servicing the machine, shut off engine, wait for all moving parts to stop, and disconnect spark plug wire and move it away from spark plug. Failure to follow these instructions can result in serious personal injury or property damage.

NOTICE:

Periodically inspect the entire product for damaged, missing, or loose parts such as screws, nuts, bolts, caps, etc. Tighten securely all fasteners and caps and do not operate this product until all missing or damaged parts are replaced. Please call 1-800-860-4050 or contact an authorized service center for assistance.

GENERAL MAINTENANCE

Avoid using solvents when cleaning plastic parts. Most plastics are susceptible to damage from various types of commercial solvents and may be damaged by their use. Use clean cloths to remove dirt, dust, lubricant, grease, etc.

WARNING:

Do not at any time let brake fluids, gasoline, petroleum-based products, penetrating lubricants, etc., come in contact with plastic parts. Chemicals can damage, weaken or destroy plastic which could result in serious personal injury.

SPOOL REPLACEMENT REEL-EASY TAP ADVANCE SYSTEM

See Figures 14 - 16.

If replacing line only, refer to **Line Replacement** later in this manual.

Use only .095 in. trimmer line.

- Stop the engine and disconnect the spark plug wire. Hold the string head and unscrew the spool retainer.

To remove the spool retainer:

Turn the spool retainer counterclockwise for curved shaft.
Turn the spool retainer clockwise for straight shaft.

- Remove the empty spool from the string head.

NOTE: It is not necessary to remove the string head housing from the drive shaft.

- Insert the new spool into the string head.

NOTE: Make sure the arrows on the spool are aligned with the eyelets in the string head housing. Push down and hold the spool and housing together while completing the installation.

- Reinstall the spool retainer to secure.

To install the spool retainer:

Turn the spool retainer clockwise for curved shaft.

Turn the spool retainer counterclockwise for straight shaft.

- Install line as described in **Line replacement**.

LINE REPLACEMENT

See Figures 16 - 18.

- Stop the engine and disconnect the spark plug wire.
- Rotate the spool clockwise as necessary to align the arrows on the spool with the eyelets in the string head housing.
- Cut one piece of trimmer line 18 ft. long. Insert the line into the eyelet on the string trimmer housing. Push until the end of the line comes out the other side of the string head. Pull the line from the other side until equal amounts of line appear on both sides of the spool.
- Rotate the spool clockwise to wind the line on the spool until approximately 6 in. of line is showing on each side.
- Push the spool retainer down while pulling on line(s) to manually advance the line and to check for proper assembly of the string head.

CLEANING THE EXHAUST PORT, MUFFLER, AND SPARK ARRESTOR

NOTICE:

The spark arrestor on this product has not been evaluated by the USDA Forest Service and cannot be used on U.S. forest lands. In addition, product users must comply with Federal, State, and local fire prevention regulations. Check with appropriate authorities. Refer to accompanying engine manual for maintenance and replacement parts.

MAINTENANCE

NOTE: Depending on the type of fuel used, the type and amount of lubricant used, and/or your operating conditions, the exhaust port, muffler, and/or spark arrestor screen may become blocked with carbon deposits. If you notice a power loss with your gas powered tool, you may need to remove these deposits to restore performance. We highly recommend that only qualified service technicians perform this service.

The spark arrestor must be cleaned or replaced every 50 hours or yearly to ensure proper performance of your product. Spark arrestors may be in different locations depending on the model purchased. Please contact your nearest service dealer for the location of the spark arrestor for your model.

IDLE SPEED ADJUSTMENT

See Figure 19.

WARNING:

The cutting head will move when adjusting the idle speed. Wear all protective clothing and keep all bystanders, children, and pets at least 50 ft. away. Make adjustments with the unit supported by hand so that the blade/cutting head does not contact the ground or any object. Keep all parts of your body away from the cutting head and muffler. Failure to follow these instructions could result in serious personal injury.

If the cutting attachment turns at idle, the idle speed screw needs adjusting on the engine. Turn the idle speed screw counterclockwise to reduce the idle RPM and stop the cutting attachment movement. If the cutting attachment still moves at idle speed, contact a service dealer for adjustment and discontinue use until the repair is made.

WARNING:

The cutting attachment should never turn at idle. Turn the idle speed screw counterclockwise to reduce the idle RPM and stop the cutting attachment, or contact a service dealer for adjustment and discontinue use until the repair is made. Serious personal injury could result from the cutting attachment turning at idle.

CLEANING THE AIR FILTER

See Figures 20 - 21.

For proper performance and long life, keep air filter clean.

- Remove the air filter cover by pushing down on the latches while gently pulling off the cover.
- Remove the air filter.
- Clean the foam filter element with warm soapy water. Rinse and let dry.

NOTE: If the foam filter element is damaged, it should be replaced.

- Apply a light coat of engine oil to the foam filter element, then squeeze it out.

- Reinstall the air filter.

NOTE: Make sure the filter is seated properly inside the cover. Installing the filter incorrectly will allow dirt to enter the engine, causing rapid engine wear.

- Replace the air filter cover by placing the slots on the air filter cover over the latches on the housing, then push the cover down until it snaps securely in place.

FUEL CAP, TANK, AND LINES

WARNING:

Check for fuel leaks. A leaking fuel cap, tank, or line is a fire hazard and must be replaced immediately. If you find any leaks, correct the problem before using the product. Failure to do so could result in a fire that could cause serious personal injury.

The fuel cap contains a non-serviceable filter and a check valve. A clogged fuel filter will cause poor engine performance. If performance improves when the fuel cap is loosened, the check valve may be faulty or filter clogged. Replace the fuel cap if required.

SPARK PLUG REPLACEMENT

The spark plug for this engine may be replaced using a Ryobi AC00160 or a Torch L7RTC spark plug. The spark plug gap should be set at .025 in. Use an exact replacement and replace annually.

NOTICE:

Be careful not to cross-thread the spark plug. Cross-threading will seriously damage the product.

STORING THE PRODUCT

- Clean all foreign material from the product. Store idle unit indoors in a dry, well-ventilated area that is inaccessible to children. Keep away from corrosive agents such as garden chemicals and de-icing salts.
- Abide by all ISO and local regulations for the safe storage and handling of gasoline.

When storing 1 month or longer:

- Drain all fuel from tank into a container approved for gasoline. Run engine until it stops.

HIGH ALTITUDE ENGINE OPERATION

Please have an authorized service center adjust this engine if it is to be run above 2000 feet. Failure to do so may result in poor engine performance and increased emissions. An engine adjusted for high altitudes can not be run at 2000 feet or lower. In doing so, the engine will overheat and cause serious engine damage. Please have an authorized service center restore high altitude modified engines to the original factory specification before operating below 2000 feet.

MAINTENANCE

THIS PRODUCT WAS MANUFACTURED WITH A CATALYST MUFFLER

Congratulations! You have made an investment toward protecting the environment. In order to maintain this product's original emission level, please refer to the maintenance section below.

MAINTENANCE SCHEDULE				
Maintenance Part	Inspect For Damage Before Each Use	Clean Every 5 Hours	Replace Every 25 Hours or Yearly	Replace Every 50 Hours
*CATALYTIC MUFFLER ASSEMBLY.....				X
SPARK SCREEN				X
*AIR FILTER ASSY				
includes:				
Filter Screen		X		
*CARBURETOR ASSY				
includes:				
Gaskets		X		
*FUEL TANK ASSY				
includes:				
Fuel Lines		X		
Fuel Cap		X		
Fuel Filter			X	
*IGNITION ASSY				
includes:				
Spark Plug			X	
*NOTICE: THE USE OF EMISSION CONTROL COMPONENTS OTHER THAN THOSE DESIGNED FOR THIS UNIT IS A VIOLATION OF FEDERAL LAW.				



CALL US FIRST

For any questions about operating or maintaining your product, call the Ryobi™ Help Line!

Your product has been fully tested prior to shipment to ensure your complete satisfaction.

TROUBLESHOOTING

IF THESE SOLUTIONS DO NOT SOLVE THE PROBLEM CONTACT YOUR AUTHORIZED SERVICE DEALER.

PROBLEM	POSSIBLE CAUSE	SOLUTION
Engine will not start	<ol style="list-style-type: none"> 1. No spark. 2. No fuel. 3. Engine is flooded. 	<ol style="list-style-type: none"> 1. Clean or replace spark plug. Reset spark plug gap. Refer to Spark Plug Replacement earlier in this manual. 2. Push primer bulb until bulb is full of fuel. If bulb does not fill, primary fuel delivery system is blocked. Contact an authorized service dealer. If primer bulb fills, engine may be flooded, proceed to next item. 3. Set the CHOKE lever to the FULL CHOKE position. Squeeze the trigger and pull the rope repeatedly until the engine starts and runs. NOTE: Depending on the severity of the flooding, this may require numerous pulls of the rope.
Engine does not reach full speed and emits excessive smoke	<ol style="list-style-type: none"> 1. Incorrect lubricant/fuel mixture. 2. Air filter screen is dirty. 3. Spark arrestor screen is dirty. 4. Spark plug fouled. 	<ol style="list-style-type: none"> 1. Use fresh fuel and the correct 2-cycle lubricant mix. (50:1). 2. Clean air filter screen. Refer to Cleaning the Air Filter earlier in this manual. 3. Contact an authorized servicing dealer. 4. Clean or replace spark plug. Reset spark plug gap. Refer to Spark Plug Replacement earlier in this manual.
Engine starts, runs, and accelerates but will not idle	<ol style="list-style-type: none"> 1. Idle speed screw on carburetor needs adjustment. 	<ol style="list-style-type: none"> 1. Turn idle speed screw clockwise to increase idle speed. <i>See Figure 19.</i>
Line will not advance	<ol style="list-style-type: none"> 1. Line is welded to itself. 2. Not enough line on spool. 3. Line is worn too short. 4. Line is tangled on spool. 5. Engine speed is too slow. 	<ol style="list-style-type: none"> 1. Lubricate line with silicone spray. 2. Install more line. Refer to the applicable line replacement section in this manual. 3. Pull lines while alternately pressing down on and releasing spool retainer. 4. Remove line from spool and rewind. Refer to the applicable line replacement section in this manual. 5. Advance line at full throttle.
Spool retainer hard to turn	<ol style="list-style-type: none"> 1. Screw threads are dirty or damaged. 	<ol style="list-style-type: none"> 1. Clean threads and lubricate with grease - if no improvement, replace the spool retainer.
Grass wraps around drive shaft housing and string head	<ol style="list-style-type: none"> 1. Cutting tall grass at ground level. 2. Operating trimmer at part throttle. 	<ol style="list-style-type: none"> 1. Cut tall grass from the top down to prevent wrapping. 2. Operate trimmer at full throttle.

WARRANTY

LIMITED WARRANTY STATEMENT

Techtronic Industries North America, Inc., warrants to the original retail purchaser that this RYOBI® brand outdoor product is free from defect in material and workmanship and agrees to repair or replace, at Techtronic Industries North America, Inc.'s, discretion, any defective product free of charge within these time periods from the date of purchase.

- Three years if the product is used for personal, family or household use;
- 30 days, if used for any other purpose, such as commercial or rental.

This warranty extends to the original retail purchaser only and commences on the date of the original retail purchase.

Any part of this product found in the reasonable judgment of Techtronic Industries North America, Inc. to be defective in material or workmanship will be repaired or replaced without charge for parts and labor by an authorized service center for Ryobi® brand outdoor products (Authorized Ryobi Service Center).

The product, including any defective part, must be returned to an authorized Ryobi service center within the warranty period. The expense of delivering the product to the service center for warranty work and the expense of returning it back to the owner after repair or replacement will be paid by the owner. Techtronic Industries North America, Inc.'s, responsibility in respect to claims is limited to making the required repairs or replacements and no claim of breach of warranty shall be cause for cancellation or rescission of the contract of sale of any Ryobi® brand outdoor product. Proof of purchase will be required by the dealer to substantiate any warranty claim. All warranty work must be performed by an authorized service dealer.

This warranty is limited to thirty (30) days from the date of original retail purchase for any Ryobi® brand outdoor product that is used for rental or commercial purposes, or any other income-producing purpose.

This warranty does not cover any product that has been subject to misuse, neglect, negligence, or accident, or that has been operated in any way contrary to the operating instructions as specified in this operator's manual. This warranty does not apply to any damage to the product that is the result of improper maintenance or to any product that has been altered or modified. The warranty does not extend to repairs made necessary by normal wear or by the use of parts or accessories which are either incompatible with the RYOBI® brand outdoor product or adversely affect its operation, performance, or durability. In addition, this warranty does not cover:

- A. Tune-ups – Spark Plugs, Carburetor, Carburetor Adjustments, Ignition, Filters
- B. Wear items – Bump Knobs, Outer Spools, Cutting Lines, Inner Reels, Starter Pulleys, Starter Ropes, Drive Belts, Tines, Felt Washers, Hitch Pins, Mulching Blades, Blower Fans, Blower and Vacuum Tubes, Vacuum Bag and Straps, Guide Bars, Saw Chains, Blades

Techtronic Industries North America, Inc., reserves the right to change or improve the design of any RYOBI® brand outdoor product without assuming any obligation to modify any product previously manufactured.

ALL IMPLIED WARRANTIES ARE LIMITED IN DURATION TO THE STATED WARRANTY PERIOD. ACCORDINGLY, ANY SUCH IMPLIED WARRANTIES INCLUDING MERCHANTABILITY, FITNESS FOR A PARTICULAR PURPOSE, OR OTHERWISE, ARE DISCLAIMED IN THEIR ENTIRETY AFTER THE EXPIRATION OF THE APPROPRIATE THREE-YEAR OR THIRTY-DAY WARRANTY PERIOD. TECHTRONIC INDUSTRIES NORTH AMERICA, INC.'S, OBLIGATION UNDER THIS WARRANTY IS STRICTLY AND EXCLUSIVELY LIMITED TO THE REPAIR OR REPLACEMENT OF DEFECTIVE PARTS AND TECHTRONIC INDUSTRIES NORTH AMERICA, INC., DOES NOT ASSUME OR AUTHORIZE ANYONE TO ASSUME FOR THEM ANY OTHER OBLIGATION. SOME STATES DO NOT ALLOW LIMITATIONS ON HOW LONG AN IMPLIED WARRANTY LASTS, SO THE ABOVE LIMITATION MAY NOT APPLY TO YOU. TECHTRONIC INDUSTRIES NORTH AMERICA, INC., ASSUMES NO RESPONSIBILITY FOR INCIDENTAL, CONSEQUENTIAL, OR OTHER DAMAGES INCLUDING, BUT NOT LIMITED TO, EXPENSE OF RETURNING THE PRODUCT TO AN AUTHORIZED RYOBI SERVICE CENTER AND EXPENSE OF DELIVERING IT BACK TO THE OWNER, MECHANIC'S TRAVEL TIME, TELEPHONE OR TELEGRAM CHARGES, RENTAL OF A LIKE PRODUCT DURING THE TIME WARRANTY SERVICE IS BEING PERFORMED, TRAVEL, LOSS OR DAMAGE TO PERSONAL PROPERTY, LOSS OF REVENUE, LOSS OF USE OF THE PRODUCT, LOSS OF TIME, OR INCONVENIENCE. SOME STATES DO NOT ALLOW THE EXCLUSION OR LIMITATION OF INCIDENTAL OR CONSEQUENTIAL DAMAGES, SO THE ABOVE LIMITATION OR EXCLUSION MAY NOT APPLY TO YOU.

This warranty gives you specific legal rights, and you may also have other rights which vary from state to state.

This warranty applies to all RYOBI® brand outdoor products manufactured by or for Techtronic Industries North America, Inc., and sold in the United States and Canada.

To locate your nearest Authorized Ryobi Service Center, dial 1-800-860-4050.

RÈGLES DE SÉCURITÉ GÉNÉRALES

AVERTISSEMENT :

Lire et veiller à bien comprendre toutes les instructions. Le non respect des instructions ci-dessous peut entraîner un choc électrique, un incendie et / ou des blessures graves.

LIRE TOUTES LES INSTRUCTIONS

- Pour travailler en toute sécurité, lire et veiller à bien comprendre toutes les instructions avant d'utiliser ce produit. Respecter toutes les instructions de sécurité. Le non respect des instructions de sécurité ci-dessous peut entraîner des blessures graves.
- Ne pas laisser des enfants ou personnes n'ayant pas reçu une formation adéquate utiliser cet outil.
- Ne pas démarrer ou faire tourner le moteur dans un espace confiné, de bâtiment, à proximité des fenêtres ouverts, autre ou des zones sans ventilation où des vapeurs toxiques de monoxyde de carbone peuvent s'accumuler. Le monoxyde de carbone, un gaz incolore, inodore et extrêmement toxique peut causer une perte de conscience et être mortel.
- Déblayer la zone de travail avant chaque utilisation. La débarrasser de tous les objets tels que cailloux, verre brisé, clous, fils métalliques, cordes, etc. risquant d'être projetés ou de se prendre dans la ligne de coupe ou la lame.
- Toujours porter une protection oculaire avec écrans latéraux certifiée conforme à la norme ANSI Z87.1 ainsi qu'une protection auditive lors de l'utilisation de ce produit. Si cette précaution n'est pas prise, des objets peuvent être projetés dans les yeux et causer des lésions graves.
- Porter des pantalons longs, manches longues, des chaussures de travail et des gants épais. Ne pas porter de vêtements amples, bijoux, shorts, sandales et ne pas travailler pieds nus. Ne porter aucun bijou.
- Le fait de porter des vêtements de protection lourds peut augmenter la fatigue de l'utilisateur, ce qui pourrait entraîner un coup de chaleur. Si le temps est chaud et humide, effectuer les gros travaux le matin ou en fin d'après-midi, alors qu'il fait plus frais.
- Ne jamais utiliser cet outil en le tenant du côté gauche.
- Attacher les cheveux longs pour les maintenir au-dessus des épaules, afin qu'ils ne se prennent pas dans les pièces en mouvement.
- Garder les badauds, enfants et visiteurs à une distance de 15 m (50 pi). Recommander aux personnes présentes de porter une protection oculaire. Si quelqu'un s'approche pendant l'utilisation de l'outil, arrêter le moteur et l'accessoire de coupe. Le risque de blessure est accru si on utilise un outil à lames. En effet, les personnes se trouvant à proximité risquent d'être heurtées par une lame en marche advenant qu'elle ricoche, ou à la suite de toute autre réaction inattendue de la scie.
- Ne pas utiliser cet outil en état de fatigue, si l'on est souffrant ou contrarié ou sous l'influence de l'alcool, de drogues ou de médicaments.
- Ne pas travailler sous un éclairage insuffisant.
- Se tenir bien campé et en équilibre. Ne pas travailler hors de portée. Le travail hors de portée risque de faire perdre l'équilibre ou de causer un contact avec les pièces brûlantes.
- Ne pas utiliser l'outil sur une échelle ou un support instable. Une bonne tenue et un bon équilibre permettent de mieux contrôler l'unité en cas de situation imprévue.
- Garder toutes les parties du corps à l'écart des pièces en mouvement.
- Pour éviter le contact avec les parties brûlantes, ne jamais travailler avec le bas du moteur au-dessus du niveau de la taille.
- Ne pas toucher les alentours de l'échappement ou du cylindre, qui deviennent brûlants pendant l'utilisation. Contact avec les surfaces chaudes pourrait entraîner des blessures graves.
- Toujours arrêter le moteur et débrancher le fil de la bougie avant d'effectuer tout entretien ou réglage, à l'exception des réglages du carburateur.
- Inspecter l'outil avant chaque utilisation pour s'assurer qu'il n'y a pas de pièces desserrées, de fuites de carburant, etc. Remplacer les pièces endommagées avant utilisation.
- Ne jamais utiliser des lames, de dispositifs coudés, un fil ou une corde avec ce accessoire taille-bordures. Ne jamais utiliser des lames, un dispositif fouetteur, un fil ou une corde sur un accessoire.
- Lors d'une utilisation normale, l'accessoire de coupe ne doit jamais tourner au ralenti. La rotation au ralenti est toutefois permise lors du réglage du carburateur.
- Il a été rapporté que, chez certaines personnes, les vibrations produites par les outils à main motorisés peuvent contribuer au développement d'une affection appelée syndrome de Raynaud. Les symptômes peuvent inclure des picotements, l'insensibilisation et le blanchissement des doigts et sont habituellement provoqués par l'exposition au froid. L'hérédité, l'exposition au froid et à l'humidité, le régime alimentaire, la fumée et les habitudes de travail sont tous des facteurs considérés comme contribuant au développement de ces symptômes. Il n'existe actuellement aucune preuve qu'un certain type de vibration ou le degré d'exposition contribue réellement au développement de cette affection. Certaines mesures, susceptibles de réduire les effets des vibrations, peuvent être prises par l'opérateur :
 - a) Garder le corps au chaud par temps froid. Pendant l'utilisation, porter des gants afin de tenir les mains et les poignets au chaud. Il a été établi que le froid est l'une des principales causes du symptôme de Raynaud.
 - b) Après chaque période d'utilisation, faire des exercices pour accroître la circulation.

RÈGLES DE SÉCURITÉ GÉNÉRALES

- c) Faire des pauses fréquentes. Limiter la durée d'exposition quotidienne.
- d) Garder l'outil bien entretenu, toutes les pièces de boulonnerie serrées et remplacer les pièces usées.

En cas d'apparition de l'un ou plusieurs des symptômes décrits ci-dessus, cesser d'utiliser l'outil et consulter un médecin.

- Mélanger et conserver le carburant dans un bidon ou jerrican approuvé pour l'essence.
- Mélanger le carburant à l'extérieur, loin de toute flamme ou source d'étincelles. Essuyer tout carburant répandu. S'éloigner de 9 m (30 pi) du point d'approvisionnement avant de lancer le moteur. Desserrer le bouchon du

réservoir de carburant lentement une fois que le moteur est arrêté. Ne pas fumer pendant le ravitaillement en carburant.

- Arrêter le moteur et le laisser refroidir avant de faire le plein ou de le remiser.
- Pour le transport dans un véhicule, laisser le moteur refroidir, vider le réservoir de carburant. et arrimer l'outil.
- Porter un équipement de protection et respecter toutes les instructions de sécurité. Si l'outil est équipé d'un embrayage, s'assurer que l'accessoire de coupe s'immobilise lorsque le moteur tourne au ralenti. Lorsque le moteur est arrêté, s'assurer que l'accessoire de coupe est immobilisé avant de poser l'outil.




RÈGLES DE SÉCURITÉ PARTICULIÈRES

- Inspecter l'outil avant chaque utilisation. Remplacer les pièces endommagées. S'assurer que toutes les pièces de boulonnerie sont en place et bien serrées. S'assurer de l'absence de fuites de carburant.
- Si la tête de coupe est fendue, brisée ou endommagée de quelque façon que ce soit, la remplacer. S'assurer que la tête de coupe ou la lame est correctement installée et solidement assujettie. Ne pas prendre cette précaution peut entraîner des risques de blessures graves.
- S'assurer que tous les dispositifs de protection, sangles, déflecteurs et poignées sont correctement installés et solidement assujettis.
- Ne jamais utiliser des lames, un dispositif fouetteur, un fil ou une corde. Utiliser le fil identiques dans la tête de coupe. N'utiliser aucun autre accessoire de coupe. Le fait d'installer une tête de coupe de toute autre marque sur cet accessoire pour taille-bordures peut entraîner de sérieuses blessures.









- Ne jamais utiliser l'appareil si le déflecteur d'herbe n'est pas en place et en bon état.
- Tenir fermement les deux poignées pendant le travail. Tenir la tête de coupe au-dessous du niveau de la taille. Ne jamais tailler avec la tête de coupe à plus de 762 mm (30 po) du sol.
- Ce produit est conçu pour les personnes qui prévoient l'utiliser de manière peu fréquente pour des applications générales par exemple, tailler la végétation faible et dense etc.; l'outil peut également convenir à d'autres utilisateurs occasionnels. Elle n'est pas conçue pour un usage prolongé. Les périodes d'utilisation prolongée peuvent entraîner des problèmes circulatoires dans les mains de l'opérateur, causés par les vibrations. Pour ce type d'application, il peut être bon d'utiliser une scie équipée d'un dispositif anti-vibrations.
- Conserver ces instructions. Les consulter fréquemment et les utiliser pour instruire les autres utilisateurs éventuels. Si cet outil est prêté, il doit être accompagné de ces instructions.

SYMBOLES

Les termes de mise en garde suivants et leur signification ont pour but d'expliquer le degré de risques associé à l'utilisation de ce produit.

SYMBOLE	SIGNAL	SIGNIFICATION
	DANGER :	Indique une situation extrêmement dangereuse qui, si elle n'est pas évitée, aura pour conséquences des blessures graves ou mortelles.
	AVERTISSEMENT :	Indique une situation potentiellement dangereuse qui, si elle n'est pas évitée, pourrait entraîner des blessures graves ou mortelles.
	ATTENTION :	Indique une situation potentiellement dangereuse qui, si elle n'est pas évitée, pourrait entraîner des blessures légères ou de gravité modérée.
	AVIS :	(Sans symbole d'alerte de sécurité) Indique une information importante ne concernant pas un risque de blessure comme une situation pouvant occasionner des dommages matériels.

Certains des symboles ci-dessous peuvent être utilisés sur le produit. Veiller à les étudier et apprendre leur signification pour assurer la sécurité d'utilisation.

SYMBOLE	NOM	EXPLICATION
	Symbole d'alerte de sécurité	Indique un risque de blessure potentiel.
	Lire le manuel d'utilisation	Pour réduire les risques de blessures, l'utilisateur doit lire et veiller à bien comprendre le manuel d'utilisation avant d'utiliser ce produit.
	Protection oculaire et auditive	Toujours porter une protection oculaire avec écrans latéraux certifiée conforme à la norme ANSI Z87.1 ainsi qu'une protection auditive.
	Ne laisser personne s'approcher	Garder les badauds à une distance de 15 m (50 pi) minimum.
	Ricochet	Les objets projetés peuvent ricocher et infliger des blessures ou causer des dommages matériels.
	Ne pas utiliser de lame	Ne jamais utiliser une lame quelconque sur un outil portant ce symbole.
	Surface chaude	Pour éviter les risques de blessures ou de dommages, éviter tout contact avec les surfaces brûlantes.
	Essence et lubrifiant	Utiliser de l'essence sans plomb pour automobiles, avec un indice d'octane de 87 [(R + M) / 2] ou plus. Ce produit utilise un moteur deux temps qui nécessite le mélange d'essence et de lubrifiant 2 temps.

CARACTÉRISTIQUES

FICHE TECHNIQUE

Largeur de coupe avec ligne

Arbre courbe432 mm (17 po)

Arbre droit457 mm (18 po)

Cylindrée25 cc

Diamètre de coupe2,4 mm [0,095 po (0.095 in.)]

APPRENDRE À PRODUIRE

Voir la figure 1.

L'utilisation sûre de ce produit exige une compréhension des renseignements figurant sur l'outil et contenus dans le manuel d'utilisation, ainsi qu'une bonne connaissance du projet entrepris. Avant d'utiliser ce produit, se familiariser avec toutes ses caractéristiques et règles de sécurité.

CONCEPTION ERGONOMIQUE

Ce produit est conçu pour être extrêmement maniable. L'outil est conçu pour pouvoir être tenu confortablement et aisément dans différentes positions et à différents angles.

DÉFLECTEUR D'HERBE

Le produit est équipé d'un déflecteur d'herbe qui protège l'opérateur des débris projetés.

AVANCE DE LA LIGNE DE COUPE À TAPANT REEL-EASY™

Le système Reel-Easy permet d'avancer la ligne facilement et tapant la tête de coupe contre le sol.

MOTEUR MONTÉ EN HAUT

Le moteur est monté en haut de l'outil afin d'assurer un bon équilibre de l'outil et de le maintenir loin de la poussière et des débris de coupe.

ASSEMBLAGE

DÉBALLAGE

Ce produit doit être assemblé.

- Avec précaution, sortir le produit et les accessoires de la boîte. S'assurer que toutes les pièces figurant sur la liste de contrôle sont incluses.



AVERTISSEMENT :

Ne pas utiliser le produit si, en le déballant, vous constatez que des éléments figurant dans la liste d'expédition sont déjà assemblés. Certaines pièces figurant sur cette liste n'ont pas été assemblées par le fabricant et exigent une installation. Le fait d'utiliser un produit qui a été assemblé de façon inadéquate peut entraîner des blessures.

- Examiner soigneusement le produit pour s'assurer que rien n'a été brisé ou endommagé en cours de transport.
- Ne pas jeter les matériaux d'emballage avant d'avoir soigneusement examiné le produit et avoir vérifié qu'il fonctionne correctement.
- Si des pièces sont manquantes ou endommagées, appeler le 1-800-860-4050.

LISTE DES PIÈCES

Arbre Courbe

Taille-bordures

Poignée avant avec quincaillerie

Déflecteur d'herbe d'arbre courbe

Flacon de lubrifiant 2 temps

Manuel d'utilisation

Arbre Droit

Taille-bordures

Poignée avant avec quincaillerie

Déflecteur d'herbe d'arbre droit

Flacon de lubrifiant 2 temps

Manuel d'utilisation



AVERTISSEMENT :

Si des pièces manquent ou sont endommagées, ne pas utiliser ce produit avant qu'elles aient été remplacées. Le fait d'utiliser ce produit même s'il contient des pièces endommagées ou s'il lui manque des pièces peut entraîner des blessures graves.

ASSEMBLAGE

AVERTISSEMENT :

Ne pas essayer de modifier ce produit ou de créer des accessoires non recommandés pour la produit. De telles altérations ou modifications sont considérées comme un usage abusif et peuvent créer des conditions dangereuses, risquant d'entraîner des blessures graves.

AVERTISSEMENT :

Pour empêcher un démarrage accidentel pouvant entraîner des blessures graves, toujours déconnecter le fil de bougie de moteur de la bougie d'allumage avant d'assembler des pièces.

INSTALLATION DU BLOC-MOTEUR SUR L'ACCESSOIRE

Voir la figure 2.

AVERTISSEMENT :

Ne jamais installer, retrait ou ajuster un accessoire lorsque le moteur tourne. Ceci pourrait causer des blessures graves.

L'accessoire se raccorde au bloc-moteur à l'aide d'un dispositif de couplage.

- Arrêter le moteur et débrancher le fil de la bougie.
- Desserrer le bouton du coupleur et retirer le capuchon de suspension de l'accessoire.
- Appuyer sur le bouton se trouvant sur l'arbre de l'accessoire. Aligner le bouton sur la rainure guide du bloc moteur et emboîter les deux arbres. Tourner l'arbre de l'accessoire jusqu'à ce que le bouton s'enclenche dans le trou de positionnement.

NOTE : Si le bouton ne s'engage pas complètement dans le trou de positionnement, les tubes ne sont pas solidement maintenus l'un dans l'autre. Tourner légèrement le tube dans les deux sens jusqu'à ce que le bouton s'engage complètement.

- Serrer le bouton fermement.

AVERTISSEMENT :

S'assurer que le bouton est bien serré avant d'utiliser l'outil et le vérifier de temps à autre pour éviter le risque de blessures graves.

RETRAIT DE L'ACCESSOIRE DU BLOC MOTEUR

- Arrêter le moteur et débrancher le fil de la bougie.
- Desserrer le bouton.
- Enfoncer le bouton et tourner les tubes pour les séparer.

INSTALLATION DE L'ANNEAU DE SUSPENSION

Voir la figure 3.

Il existe deux façons de suspendre l'accessoire pour le remisage.

- Pour installer l'anneau de suspension, appuyer sur le bouton et emboîter le capuchon sur l'extrémité inférieure de l'arbre d'accessoire. Tourner légèrement le capuchon dans un sens et l'autre pour enclencher le bouton.
- Le trou secondaire de l'arbre d'accessoire peut également être utilisé pour suspendre l'accessoire.

INSTALLATION DE LA POIGNÉE AVANT

Voir la figure 4.

- Retirer les écrou à oreilles et le boulon de la poignée avant.
- Installer la poignée avant sur le côté supérieur du tube de l'arbre moteur, à l'endroit indiqué par l'étiquette.
- Insérer le boulon dans les trous de la poignée avant.

NOTE : La tête du boulon s'adapte dans le logement moulé d'un côté de la poignée.

- Réinstaller le écrou à oreilles.
- Serrer fermement l'écrou papillon.

INSTALLATION DU DÉFLECTEUR D'HERBE

AVERTISSEMENT :

La lame coupe ligne du déflecteur est tranchante. Éviter de la toucher. Le contact avec la lame peut causer des blessures graves.

INSTALLATION DU DÉFLECTEUR D'HERBE D'ARBRE COURBE

Voir la figure 5.

- Retirer vis à six pans et l'écrou papillon du déflecteur d'herbe.
- Emboîter le déflecteur d'herbe sur le bas de l'arbre courbe, comme illustré.
- Insérer le vis à six pans dans le déflecteur d'herbe et le support de l'arbre courbe.
- Installer l'écrou papillon sur le vis et le serrer fermement.

INSTALLATION DU DÉFLECTEUR D'HERBE D'ARBRE DROIT

Voir la figure 6.

- Retirer la vis à oreilles du déflecteur d'herbe.
- Insérer la languette du support de montage dans la fente du déflecteur d'herbe.
- Aligner le trou de vis du support de montage sur le trou de vis du déflecteur d'herbe.
- Insérer la vis à oreilles dans le support et le déflecteur d'herbe.
- Serrer la vis fermement.

UTILISATION

AVERTISSEMENT :

Ne pas laisser la familiarité avec le produit faire oublier la prudence. Ne pas oublier qu'une fraction de seconde d'inattention peut entraîner des blessures graves.

AVERTISSEMENT :

Toujours porter une protection oculaire avec écrans latéraux certifiée conforme à la norme ANSI Z87.1 ainsi qu'une protection auditive. Si cette précaution n'est pas prise, des objets peuvent être projetés dans les yeux et d'autres lésions graves.

AVERTISSEMENT :

Ne jamais utiliser des lames, un dispositif fouetteur, un fil ou une corde. Ne pas utiliser d'outils ou accessoires non recommandés pour cet outil. L'utilisation de pièces et accessoires non recommandés peut entraîner des blessures graves.

AVIS :

Le pare-étincelles sur ce produit n'a pas été évalué par le Service forestier des États-Unis et ne peut pas être utilisé sur des terrains forestiers des États-Unis. De plus, les utilisateurs du produit doivent respecter les réglementations locales et gouvernementales de lutte contre l'incendie. Consulter les autorités appropriées. Consulter le manuel du moteur afin d'obtenir des renseignements concernant l'entretien et les pièces de rechange.

AVIS :

Avant chaque utilisation, inspecter au complet le produit afin de s'assurer qu'aucune pièce (vis, écrous, boulons, chapeaux, etc.) n'est endommagée, manquante ou desserrée. Serrer solidement toutes les pièces de fixation et les chapeaux et ne pas utiliser le produit tant que toutes les pièces manquantes ou endommagées n'ont pas été remplacées. Veuillez composer le 1-800-860-4050 ou communiquer avec un centre de réparations agréé pour obtenir de l'aide.

APPROVISIONNEMENT EN CARBURANT

AVERTISSEMENT :

L'essence et les vapeurs qu'elle dégage sont extrêmement inflammables et explosives. Pour éviter des blessures graves et des dommages matériels, manipuler avec précaution. Garder le produit à l'écart des sources d'inflammation et des flammes vives, l'utiliser uniquement à l'extérieur, ne pas fumer au moment de mélanger l'essence et l'huile, et essuyer rapidement tout carburant répandu.

MÉLANGE DE CARBURANT

Cet outil utilise un moteur deux temps qui nécessite le mélange d'essence et de lubrifiant 2 temps. Mélanger de l'essence sans plomb et de le lubrifiant moteur 2 temps dans un jerrycan propre homologué pour l'essence. NE PAS mélanger plus de carburant qu'il ne sera utilisé dans une période de 30 jours.

Carburant recommandé : Cet outil est certifié pour fonctionner avec de l'essence sans plomb pour véhicules automobiles.

NOTE : Nous recommandons l'utilisation d'huile pour moteur 2 temps Ethanol Shield, d'huile PowerCare Premium pour moteur 2 temps ou une huile synthétique de première qualité semblable pour moteur 2 temps dans ce produit. Mélanger 76 ml par 3,8 L (2,6 oz par gallon US).

Ne pas utiliser de lubrifiant automobile ou pour moteur hors-bord 2 temps.

LUBRIFIANT 2 TEMPS DE HAUTE QUALITÉ



ESSENCE

LUBRIFIANT

3,8 litre [1,0 gal (US)]

76 ml (2,6 oz)

9,5 litre [2,5 gal (US)]

189 ml (6,4 oz)

REMPLETTAGE DU RÉSERVOIR

- Nettoyer le pourtour du bouchon de remplissage pour éviter la contamination du carburant.
- Desserrer le bouchon du réservoir de carburant lentement. Poser le bouchon sur une surface propre.
- Verser le mélange dans le réservoir avec précaution. Éviter de répandre du carburant.
- Avant de remettre le bouchon en place, nettoyer et inspecter son joint.
- Remettre immédiatement le bouchon en place et le serrer à la main. Essuyer tout carburant répandu.

NOTE : Il est normal qu'un moteur neuf dégage de la fumée après la première utilisation.

UTILISATION

AVERTISSEMENT :

Toujours arrêter le moteur avant l'approvisionnement en carburant. Ne jamais remplir le réservoir d'une machine lorsque le moteur tourne ou est chaud. S'éloigner d'au moins 9 m (30 pi) du point d'approvisionnement avant de lancer le moteur. Ne pas fumer ! Une mauvaise manipulation du carburant peut entraîner des blessures graves.

CARBURANTS OXYGÉNÉS

AVIS :

Ne pas utiliser d'essence E15 ou E85 (ou un carburant contenant plus de 10 % d'éthanol) dans ce produit. Une telle utilisation représente une violation de la loi fédérale et endommagera l'appareil et annulera la garantie.

Les dommages au circuit de carburant et les problèmes de performance résultant de l'utilisation de carburant oxygéné contenant des pourcentages de composants oxygénés supérieurs à ceux indiqués ci-dessous **ne sont pas couverts par la garantie.**

Éthanol. L'essence contenant jusqu'à 10 % d'éthanol par volume (généralement désignée E10) est acceptable. **E15 et E85 ne sont pas.**

NOTE : Il est recommandé d'utiliser le lubrifiant pour moteur 2 temps Ethanol Shield pour améliorer la performance avec l'utilisation d'essence oxygénée.

DÉMARRAGE ET ARRÊT

Voir les figures 7 à 9.

Pour le démarrage, le taille-bordures doit être posé sur un sol nu et plat.

Démarrage du moteur froid :

- Poser l'outil sur un sol nu et plat.
- Appuyer sur la poire d'amorçage environ 10 fois.
- Mettre le levier du volet de départ en position **FULL CHOKE** (complètement ouvert).
- Appuyer sur le bouton de verrouillage et enfoncer complètement la gâchette d'accélérateur, et tirer brusquement sur la poignée du démarreur jusqu'à ce que le moteur tente de démarrer (pas plus de 4 tirs).
- Mettre le levier du volet de départ en position **HALF CHOKE** (demi étranglement).
- Tirer sur le cordon du lanceur jusqu'à ce que le moteur démarre, ne pas plus de six (6) fois.
- Mettre le levier du volet de départ en position **RUN** (marche).

NOTE : Par temps froid, il peut être nécessaire de tirer le lanceur plusieurs fois lorsque le levier de départ est en position **FULL CHOKE** (ouvert).

Démarrage du moteur chaud :

- Poser l'outil sur un sol nu et plat.
 - Appuyer sur la poire d'amorçage environ 10 fois.
 - Mettre le levier du volet de départ en position **RUN** (marche).
 - Appuyer sur le bouton de verrouillage et enfoncer complètement la gâchette d'accélérateur, et tirer sur le cordon du lanceur.
- NOTE :** Si le moteur ne démarre pas, reprendre les étapes précédentes.

Arrêt du moteur :

- Pour arrêter le moteur, mettre le commutateur **STOP** dans la position d'arrêt «  ».

EN CAS DE BESOIN D'ASSISTANCE AVEC CE PRODUIT :

Ne pas le retourner au magasin de détail où il a été acheté. Pour toute question, appeler notre service après-vente.

Pour toute assistance, appeler le : 1-800-860-4050

UTILISATION DU TAILLE-BORDURES

Voir les figures 9 et 10.

AVERTISSEMENT :

Le logement du moteur peut devenir chaud pendant l'utilisation du taille bordures à fil. Éviter de placer ou d'appuyer le bras, la main ou toute autre partie du corps contre le logement du moteur pendant l'utilisation du taille bordures. Tenir l'outil uniquement dans la position illustrée à la figure 10 en s'assurant qu'aucune partie du corps ne se trouve à proximité du logement du moteur. Un contact prolongé avec le logement du moteur peut entraîner des brûlures ou d'autres blessures.

AVERTISSEMENT :

Toujours tenir l'outil à sa droite. L'utilisation à gauche exposerait l'utilisateur aux surfaces chaudes, créant ainsi des risques de brûlures.

AVERTISSEMENT :

Pour éviter le contact avec les parties brûlantes, ne jamais travailler avec le bas du moteur au-dessus du niveau de la taille.

UTILISATION

Tenir le taille-bordures avec la main droite sur la poignée arrière et la main gauche sur la poignée avant. Garder une prise ferme sur les deux poignées pendant le fonctionnement. Le taille-bordures doit être tenu dans une position confortable, la poignée arrière se trouvant à peu près à hauteur de la taille.

Toujours utiliser le taille-bordures en position **RUN** (marche). Couper les herbes hautes du haut en bas. Ceci empêchera l'herbe de s'enrouler sur le tube de l'arbre moteur et la tête de coupe, ce qui pourrait causer des dommages dus à une surchauffe. Si l'herbe s'enroule sur la tête de coupe, **ARRÊTER LE MOTEUR**, débrancher le fil de bougie et enlever l'herbe. Le travail prolongé à mi-régime causerait l'écoulement de lubrifiant par l'échappement.



AVERTISSEMENT :

Toujours tenir le taille-bordures à l'écart de soi en maintenant une distance de sécurité entre le corps et l'équipement. Tout contact avec le boîtier ou avec la tête de coupe du taille-bordures peut causer des brûlures et / ou d'autres blessures graves.

CONSEILS DE COUPE

Voir les figures 10 à 12.

- Éviter les surfaces très chaudes en maintenant toujours l'outil à l'écart du corps. (Position de travail correcte illustrée à la figure 10.)
- Pour une efficacité maximum, garder le taille-bordures incliné vers la zone de coupe.
- Pour couper avec le taille-bordures à arbre courbe, utiliser un mouvement de balayage de droite à gauche. Pour couper avec le taille-bordures à arbre droit, utiliser un mouvement de balayage de gauche à droite. Ceci évite que les débris soient projetés en direction de l'opérateur. Éviter de couper dans la zone dangereuse comme le montre l'illustration.
- Couper avec l'extrémité de la ligne; ne pas forcer la tête de coupe dans l'herbe non coupée.

- Les palissades en métal et en bois accélèrent l'usure de la ligne et peuvent la faire casser. Les murs en pierre et brique, trottoirs et pièces de bois peuvent user la ligne rapidement.
- Contourner les arbres et buissons. L'écorce des arbres, les moulures en bois, le lambrisage et les piquets de palissades peuvent être endommagés par la ligne.

AVANCE DE LA LIGNE DE COUPE (TÊTE À LIGNE DE COUPE DE REEL-EASY)

L'avance de la ligne est obtenue en tapant la tête de coupe sur le gazon, le moteur tournant à plein régime.

- Faire tourner le moteur à plein régime.
- Taper la tête de coupe sur le sol pour faire avancer la ligne. La ligne avance chaque fois que la tête de coupe est frappée sur le sol. Ne pas maintenir le bouton contre le sol.

NOTE : La lame du déflecteur d'herbe coupe la ligne à la longueur correcte.

NOTE : Si la ligne devient trop courte, il peut ne pas être possible de la faire avancer en tapant la tête de coupe sur le sol. Dans ce cas, arrêter le moteur et tirer la ligne à la main.

Avance manuelle de la ligne de coupe :

- Arrêter le moteur et débrancher le fil de la bougie.
- Appuyer sur la bouton et tirer sur la ou les lignes pour sortir la longueur désirée.

LAME DE SECTIONNEMENT DE LIGNE DE COUPS DU DÉFLECTEUR D'HERBE

Voir la figure 13.

Ce taille-bordures est équipé d'une lame de sectionnement de ligne montée sur le déflecteur d'herbe. Pour obtenir une coupe optimale, faire avancer la ligne jusqu'à ce qu'elle soit coupée à la longueur correcte par la lame de sectionnement. La ligne doit être avancée chaque fois que le moteur tourne à une vitesse supérieure à la normale ou lorsque la coupe devient moins efficace. Ceci maintiendra une efficacité maximum et gardera la ligne assez longue pour avancer correctement.

ENTRETIEN

AVERTISSEMENT :

Utiliser exclusivement des pièces d'origine pour les réparations. L'usage de toute autre pièce pourrait créer une situation dangereuse ou endommager l'outil.

AVERTISSEMENT :

Toujours porter une protection oculaire avec écrans latéraux certifiée conforme à la norme ANSI Z87.1 ainsi qu'une protection auditive. Si cette précaution n'est pas prise, des objets peuvent être projetés dans les yeux et d'autres lésions graves.

AVERTISSEMENT :

Avant d'inspecter, nettoyer ou entretenir l'équipement, couper le moteur, attendre que toutes les pièces en mouvement s'arrêtent, déconnecter le fil de la bougie et l'écartier de la bougie. Le non-respect de ces instructions peut entraîner des blessures graves ou des dégâts matériels.

AVIS :

Inspecter périodiquement au complet le produit afin de s'assurer qu'aucune pièce (vis, écrous, boulons, chapeaux, etc.) n'est endommagée, manquante ou desserrée. Serrer solidement toutes les pièces de fixation et les chapeaux et ne pas utiliser le produit tant que toutes les pièces manquantes ou endommagées n'ont pas été remplacées. Veuillez composer le 1-800-860-4050 ou communiquer avec un centre de réparations agréé pour obtenir de l'aide.

ENTRETIEN GÉNÉRAL

Éviter d'utiliser des solvants pour le nettoyage des pièces en plastique. La plupart des matières plastiques peuvent être endommagées par divers types de solvants du commerce. Utiliser un chiffon propre pour éliminer la saleté, la poussière, le lubrifiant, la graisse, etc.

AVERTISSEMENT :

Ne jamais laisser de liquides tels que le fluide de freins, l'essence, les produits à base de pétrole, les lubrifiants pénétrants, etc., entrer en contact avec les pièces en plastique. Les produits chimiques peuvent endommager, affaiblir ou détruire le plastique, ce qui pourrait entraîner des blessures graves.

REPLACEMENT DE LA BOBINE AVANCE DE LA LIGNE DE COUPE À TAPANT REEL-EASY™

Voir les figures 14 à 16.

Si seule la ligne est remplacée, voir **Remplacement de la ligne**, plus loin dans ce manuel.

Utiliser exclusivement une ligne monofilament de 2,4 mm (0,095 po) de diamètre.

- Arrêter le moteur et débrancher le fil de la bougie. Maintenir la tête de coupe et retirer la retenue de bobine.

Pour retirer la retenue de bobine :

Sur les modèles arbre courbe, tourner la retenue de bobine vers la gauche.

Sur les modèles arbre droit, tourner la retenue de bobine vers la droite.

- Retirer la bobine vide de la tête de coupe.

NOTE : Il n'est pas nécessaire de retirer le logement de la tête de coupe de l'arbre d'entraînement.

- Insérer la nouvelle bobine dans la tête de coupe.

NOTE : S'assurer que les flèches de la bobine sont alignées avec les oeillets du logement de la tête de coupe. Abaisser et maintenir ensemble à cette position la bobine et le logement tout en complétant l'installation.

- Réinstaller la retenue de bobine afin de la fixer solidement.

Pour installer la retenue de bobine :

Sur les modèles arbre courbe, tourner la retenue de bobine vers la droite.

Sur les modèles arbre droit, tourner la retenue de bobine vers la gauche.

- Installer le fil tel que décrit à la section intitulée **Remplacement de ligne**.

REPLACEMENT DE LIGNE

Voir les figures 16 à 18.

- Arrêter le moteur et débrancher le fil de la bougie.
- Au besoin, tourner la bobine dans le sens horaire afin d'aligner les flèches de la bobine avec les oeillets du logement de la tête de coupe.
- Couper un morceau d'une longueur de 5,5 m (18 pi) de chaîne monofilament. Insérer le fil dans l'oeillet du logement du taille-bordures. Pousser jusqu'à ce que l'extrémité du fil sorte de l'autre côté de la tête de coupe. Tirer sur le fil de l'autre côté de façon à laisser deux segments de fil égaux de chaque côté de la bobine.
- Tourner la bobine dans le sens horaire pour enrouler le fil autour de celle-ci jusqu'à ce qu'environ 152,4 mm (6 po) de fil apparaisse de chaque côté de la bobine.
- Appuyer sur la retenue de bobine tout en tirant sur la ou les ligne(s) pour les avancer manuellement et vérifier le montage de la tête de coupe.

ENTRETIEN

NETTOYAGE DE L'ORIFICE D'ÉCHAPPEMENT, LE SILENCIEUX ET LE PARE-ÉTINCELLES

AVIS :

Le pare-étincelles sur ce produit n'a pas été évalué par le Service forestier des États-Unis et ne peut pas être utilisé sur des terrains forestiers des États-Unis. De plus, les utilisateurs du produit doivent respecter les réglementations locales et gouvernementales de lutte contre l'incendie. Consulter les autorités appropriées. Consulter le manuel du moteur afin d'obtenir des renseignements concernant l'entretien et les pièces de rechange.

NOTE : Suivant le type de carburant utilisé, le type et la quantité de lubrifiant et / ou les conditions de travail, l'orifice d'échappement et le silencieux peuvent se calaminer. Si un outil motorisé semble avoir perdu de la puissance, cette calamine doit être éliminée pour restaurer le fonctionnement normal. Il est vivement recommandé de confier ce travail à un technicien qualifié.

Le pare-étincelles doit être nettoyé ou remplacé toutes les 50 heures de fonctionnement ou tous les ans pour assurer le fonctionnement correct de l'outil. L'emplacement du pare-étincelles diffère suivant le modèle. Contacter le concessionnaire le plus proche pour connaître l'emplacement du pare-étincelles sur le modèle utilisé.

RÉGLAGE DU RALENTI

Voir la figure 19.

⚠ AVERTISSEMENT :

L'accessoire de coupe tournera lors du réglage du ralenti. Porter tous les vêtements de protection et garder les badauds, enfants et animaux à une distance de 15 m (50 pi). Faire les réglages en supportant l'outil avec les mains de manière à ce que l'accessoire de coupe/lame ne touche pas le sol ou tout autre objet. Garder toutes les parties du corps éloignées de l'accessoire de coupe et du silencieux. Le non respect des instructions de sécurité peut entraîner des blessures graves.

Si l'accessoire de coupe tourne lorsque le moteur est au ralenti, tourner la vis de ralenti du moteur. Tourner la vis de ralenti vers la gauche pour réduire le régime et arrêter la rotation de l'accessoire de coupe. Si l'accessoire de coupe continue de tourner au ralenti après avoir effectué le réglage, confier au produit à un centre de réparations et ne plus l'utiliser tant que les réparations n'ont pas été effectuées.

⚠ AVERTISSEMENT :

L'accessoire de coupe ne doit jamais tourner lorsque le moteur est au ralenti. Tourner la vis de ralenti dans le sens inverse des aiguilles d'une montre pour réduire le régime de ralenti et immobiliser l'accessoire de coupe ou confier au produit à un centre de réparations, et ne pas l'utiliser tant que des réparations n'ont pas été effectuées. La rotation de l'accessoire de coupe au ralenti pourrait causer des blessures graves.

NETTOYAGE DU FILTRE À AIR

Voir les figures 20 et 21.

Pour assurer un fonctionnement correct et une longue vie utile, garder le filtre à air propre.

- Retirer le couvercle du filtre à air en appuyant sur les loquets, tout en tirant doucement sur le couvercle.
- Retirer le filtre à air.
- Nettoyer l'élément en mousse du filtre avec de l'eau chaude savonneuse. Le rincer et le laisser sécher.

NOTE : Si le filtre à air est sale ou endommagé, il est nécessaire de le remplacer.

- Appliquer une légère couche d'huile pour moteur sur l'élément en mousse du filtre, puis l'extraire en pressant l'élément en mousse.
- Remettre le filtre à air en place.
- **NOTE :** S'assurer que le filtre est correctement positionné dans le couvercle. Une installation incorrecte du filtre laisse la saleté entrer dans le moteur, entraînant une usure rapide du moteur.
- Installer le couvercle du filtre à air en plaçant les fentes du couvercle du filtre à air sur les loquets du boîtier et appuyer sur le couvercle jusqu'à ce qu'il s'enclenche correctement en place.

BOUCHON DU RÉSERVOIR, RÉSERVOIR, ET CONDUITES

⚠ AVERTISSEMENT :

S'assurer de l'absence de fuites de carburant, réservoir, ou conduites qui sont un risque d'incendie. Un bouchon de carburant qui fuit pose un risque d'incendie et doit être remplacé immédiatement. Toutes les fuites doivent être éliminées avant d'utiliser le produit. Ne pas prendre cette précaution peut causer un incendie, entraînant des blessures graves.

Le bouchon du réservoir de carburant contient un filtre et un clapet antiretour non réparables. Un filtre à carburant colmaté nuit au bon fonctionnement du moteur. Si le fonctionnement du moteur s'améliore lorsque le bouchon est desserré, le clapet antiretour peut être défectueux ou le filtre colmaté. Au besoin, remplacer le bouchon de carburant.

ENTRETIEN

REPLACEMENT DE LA BOUGIE

La bougie d'allumage de ce moteur peut être remplacée par une bougie de rechange de marque Ryobi AC00160 ou Torch L7RTC. L'écartement d'électrode doit être fixé à 0,63 mm (0,025 po). La bougie doit être remplacée annuellement par une bougie identique.

AVIS :

Veiller à ne pas fausser le filetage de la bougie. Ceci endommagerait sérieusement l'outil.

REMISAGE LE PRODUIT

- Nettoyer soigneusement le produit. La remiser dans un endroit bien aéré, inaccessible aux enfants. La tenir à l'écart de produits corrosifs, tels que les produits chimiques de jardinage et le sel de dégivrage.
- Se conformer à toutes les réglementations locales et gouvernementales concernant la sécurité de la manipulation et de l'entreposage de l'essence.

Remisage 1 mois ou plus :

- Vider complètement le réservoir de carburant dans un bidon ou jerrycan approuvé pour l'essence. Laisser le moteur tourner jusqu'à ce qu'il cale.

FONCTIONNEMENT DU MOTEUR À HAUTE ALTITUDE

Confier le moteur à un centre de réparations agréé si celui-ci doit être utilisé à une altitude supérieure à 609,6 m (2 000 pi). Ne pas suivre cette directive peut nuire au bon fonctionnement du moteur et augmenter les émissions. Un moteur qui a été réglé pour fonctionner à haute altitude ne peut être utilisé à 609,6 m (2 000 pi) ou moins. Ne pas respecter cette directive peut entraîner une surchauffe du moteur et l'endommager sérieusement. Veuillez confier tout moteur ayant subi des modifications en vue d'être utilisé à haute altitude à un centre de réparations agréé, qui se chargera de le reconfigurer selon les spécifications d'usine d'origine avant qu'il soit utilisé à une altitude inférieure à 609,6 m (2 000 pi).

CE PRODUIT A ÉTÉ ÉQUIPÉ EN USINE D'UN CONVERTISSEUR CATALYTIQUE

Félicitations ! Vous venez d'investir dans la protection de l'environnement. Pour maintenir le niveau d'émissions original de ce produit, voir la section Entretien ci-dessous.

PROGRAMME D'ENTRETIEN

Pièce d'entretien	Inspecter avant chaque utilisation n'est pas endommagé	Nettoyer toutes le 5 heures de fonctionnement	Remplacer toutes les 25 heures ou chaque année	Reemplácelo cada 50 heures
* ENSEMBLE CATALYTIQUE DU SILENCIEUX				X
ÉCRAN PARE-ÉTINCELLES				X
* FILTRE À AIR				
inclut :				
Écran filtrant				X
* CARBURATEUR				
inclut :				
Joints	X			
* RÉSERVOIR DE CARBURANT				
inclut :				
Conduites de carburant	X			
Bouchon du réservoir de carburant	X			
Filtre à carburant			X	
* ALLUMAGE				
inclut :				
Bougie			X	
* AVIS : L'UTILISATION DE DISPOSITIFS ANTIPOLLUTION AUTRES QUE CEUX CONÇUS POUR CET OUTIL REPRÉSENTE UNE VIOLATION DE LA LOI FÉDÉRALE.				



NOUS APPELER D'ABORD

Pour toute question concernant l'utilisation ou l'entretien utiliser ce produit, appeler le service d'assistance téléphonique Ryobi®!

Le taille-bordures à été entièrement testé avant expédition pour assurer la complète satisfaction de l'utilisateur.

DÉPANNAGE

SI LES PRÉSENTES SOLUTIONS NE RÉSOLVENT PAS LE PROBLÈME, CONTACTER LE CENTRE DE RÉPARATIONS AGRÉÉ.

PROBLÈME	CAUSE POSSIBLE	SOLUTION
Le moteur ne démarre pas	<ol style="list-style-type: none"> 1. Pas d'étincelle. 2. Pas de carburant. 3. Moteur noyé. 	<ol style="list-style-type: none"> 1. Nettoyer ou remplacer la bougie. Régler l'écartement de l'électrode. Voir Remplacement de la bougie plus haut dans ce manuel. 2. Actionner la poire d'amorçage jusqu'à ce qu'elle soit remplie de carburant. Si elle ne se remplit pas, le système d'alimentation en carburant est obstrué. Contacter un centre approuvés de réparations. Si la poire se remplit, il se peut que le moteur soit noyé, passer au paragraphe suivant. 3. Mettre le volet de départ en position d'étranglement FULL CHOKE (démarrage). Maintenir la gâchette enfoncée et tirer sur le cordon du lanceur jusqu'à ce que le moteur démarre. NOTE : Selon l'importance du noyage, plusieurs tractions du cordon peuvent s'avérer nécessaires.
Le moteur ne parvient pas au régime maximum et dégage trop de fumée	<ol style="list-style-type: none"> 1. Vérifier le mélange lubrifiant / carburant. 2. Filtre à air écran encrassé. 3. Écran pare-étincelles encrassé. 4. Bougie encrassée. 	<ol style="list-style-type: none"> 1. Utiliser un mélange de carburant et de lubrifiant 2 temps correct et frais. (50:1). 2. Nettoyer le filtre à air écran. Voir la section Nettoyage du filtre à air écran, plus haut dans ce manuel. 3. Contacter un centre approuvés de réparations. 4. Nettoyer ou remplacer la bougie. Régler l'écartement de l'électrode. Voir Remplacement de la bougie plus haut dans ce manuel.
Le moteur démarre, tourne et accélère correctement, mais ne tient pas le ralenti	<ol style="list-style-type: none"> 1. La vis de ralenti du carburateur doit être réglée. 	<ol style="list-style-type: none"> 1. Tourner la vis de ralenti vers la droite, pour augmenter le régime de ralenti. <i>Voir la figure 19.</i>
La ligne n'avance pas	<ol style="list-style-type: none"> 1. Ligne soudée sur elle-même. 2. Pas assez de ligne sur la bobine. 3. Ligne trop courte. 4. Ligne emmêlée sur la bobine. 5. Régime moteur insuffisant. 	<ol style="list-style-type: none"> 1. Lubrifier avec un produit au silicone. 2. Installer une nouvelle ligne. Consulter la section du présent manuel qui traite du remplacement du fil. 3. Tirer les lignes en appuyant sur la bobine et en la relâchant alternativement. 4. Retirer la ligne de la bobine et la réenrouler. Consulter la section du présent manuel qui traite du remplacement du fil. 5. Faire avancer la ligne, le moteur tournant à plein régime.
La retenue de bobine est difficile à tourner	<ol style="list-style-type: none"> 1. Filetage des vis encrassé ou endommagé. 	<ol style="list-style-type: none"> 1. Nettoyer les filetages et les graisser – Si cela ne donne aucune amélioration, remplacer la retenue de bobine.
L'herbe s'enroule sur le tube de l'arbre moteur et la tête de coupe	<ol style="list-style-type: none"> 1. Coupe de hautes herbes au ras du sol. 2. Utilisation du taille-bordures à régime partiel. 	<ol style="list-style-type: none"> 1. Couper les herbes hautes du haut en bas pour éviter leur enroulement. 2. Utiliser le taille-bordures à plein régime.

GARANTIE

ÉNONCÉ DE LA GARANTIE LIMITÉE

Techtronic Industries North America, Inc., garantit à l'acheteur original que ce produit Ryobi® est exempt de tous vices de matériaux ou de fabrication et s'engage à réparer ou remplacer gratuitement, à son choix, tout produit s'avérant défectueux au cours des périodes indiquées ci-dessous, à compter de la date d'achat.

- Trois ans sur les produits utilisés par des particuliers ;
- 30 jours sur les produits utilisés à toutes autres fins, telles que les travaux commerciaux et la location.

Cette garantie n'est offerte qu'à l'acheteur original et entre en vigueur à la date de l'achat original.

Toute pièce de ce produit jugée, après évaluation raisonnable par Techtronic Industries North America, Inc., comme présentant des vices de matériaux ou de fabrication, sera réparée ou remplacée, sans facturation pour pièces ou main d'oeuvre par un centre de réparations agréé pour produits d'extérieur de marque Ryobi® (centre de réparations Ryobi agréé).

Le produit, y compris toutes les pièces défectueuses devront être retournés à un centre de réparations Ryobi agréé, avant expiration de la période de garantie. Les frais d'expédition au centre de réparations pour les travaux sous garantie et de retour au propriétaire du produit seront assumés par le propriétaire. En ce qui concerne les réclamations en garantie, la responsabilité Techtronic Industries North America, Inc., se limitera à la réparation ou au remplacement des produits défectueux et aucune revendication de rupture de garantie ne pourra causer l'annulation ou la résiliation du contrat de vente d'un produit d'extérieur Ryobi® quel qu'il soit. Une preuve d'achat sera exigée par le centre de réparation, afin de valider toute réclamation au titre de la garantie. Toutes les réparations sous garantie devront être effectuées par un centre de réparations agréé.

La garantie sur tout produit d'extérieur Ryobi® utilisé pour la location, des travaux commerciaux ou tout autre usage lucratif, sera limitée à trente (30) jours, à compter de la date d'achat au détail original.

Cette garantie ne couvre pas les produits ayant fait l'objet d'un usage abusif ou négligent, d'un manque d'entretien, ayant été impliqués dans un accident ou employé de façon contraire aux instructions du manuel d'utilisation. Cette garantie ne couvre ni les dommages aux produits résultant d'un manque d'entretien, ni les produits qui ont été altérés ou modifiés. La garantie exclut les réparations rendues nécessaires par l'usure normale ou l'utilisation de pièces et accessoires incompatibles avec le produit d'extérieur Ryobi® ou nuisibles à son bon fonctionnement, ses performances ou sa durabilité. En outre, cette garanti exclut :

A. Les réglages – Bougies, carburateur, réglages du carburateur, allumage, filtres

B. Les articles consommables – Boutons d'avance par choc, bobines externes, lignes de coupe, bobines internes, poulies et cordons de lanceur, courroies d'entraînement, dents, rondelles en feutre, axes d'attelage, lames de paillage, ventilateur de soufflante, tubes de soufflage et d'aspiration, sacs à débris, guides, chaînes de scie, lames

Techtronic Industries North America, Inc., se réserve le droit d'apporter des modifications ou améliorations à tout produit extérieur Ryobi®, sans obligation de modifier les produits fabriqués antérieurement.

LA DURÉE DE TOUTES LES GARANTIES IMPLICITES NE SAURAIT EN AUCUN CAS EXCÉDER LA PÉRIODE DE GARANTIE DÉCLARÉE. PAR CONSÉQUENT, TOUTES LES GARANTIES IMPLICITES, Y COMPRIS LES GARANTIES DE VALEUR MARCHANDE OU D'ADÉQUATION À UN USAGE PARTICULIER OU AUTRES SERONT INVALIDÉES À L'EXPIRATION DE LA PÉRIODE DE GARANTIE APPROPRIÉE DE TROIS ANS OU TRENTE JOURS. LES OBLIGATIONS DE TECHTRONIC INDUSTRIES NORTH AMERICA, INC., DANS LE CADRE DE CETTE GARANTIE SE LIMITENT EXCLUSIVEMENT À LA RÉPARATION OU AU REMPLACEMENT DES PIÈCES DÉFECTUEUSES ET TECHTRONIC INDUSTRIES NORTH AMERICA, INC. N'ASSUME OU N'AUTORISE QUICONQUE À ASSUMER QUELQUE AUTRE OBLIGATION QUE CE SOIT. CERTAINS ÉTATS ET PROVINCES NE PERMETTANT PAS DE LIMITATION DE DURÉE DES GARANTIES IMPLICITES, LES RESTRICTIONS CI-DESSOUS PEUVENT NE PAS ÊTRE APPLICABLES. TECHTRONIC INDUSTRIES NORTH AMERICA, INC., DÉCLINE TOUTE RESPONSABILITÉ EN CE QUI CONCERNE LES DOMMAGES DIRECTS, INDIRECTS OU AUTRES, Y COMPRIS, MAIS SANS S'Y LIMITER, LES FRAIS DE RETOUR DE PRODUITS À UN CENTRE DE RÉPARATION RYOBI AGRÉÉ ET DE RENVOI AU PROPRIÉTAIRE, DE DÉPLACEMENT D'UN TECHNICIEN, DE TÉLÉPHONE OU TÉLÉGRAMME, DE LOCATION D'UN PRODUIT SIMILAIRE PENDANT LA DURÉE DES RÉPARATIONS SOUS GARANTIE, DE DÉPLACEMENT, DE PERTES OU DOMMAGES À DES BIENS PERSONNELS, DE MANQUE À GAGNER, DE PERTE D'USAGE DU PRODUIT, DE PERTE DE TEMPS OU DE DÉRANGEMENT. CERTAINS ÉTATS ET PROVINCES NE PERMETTANT L'EXCLUSION OU LA LIMITATION DES DOMMAGES DIRECTS OU INDIRECTS, LES RESTRICTIONS CI-DESSOUS PEUVENT NE PAS ÊTRE APPLICABLES.

Cette garantie donne au consommateur des droits spécifiques, et celui-ci peut bénéficier d'autres droits, qui varient selon les états ou provinces.

Cette garantie couvre tous les produits d'extérieur Ryobi® fabriqués par Techtronic Industries North America, Inc., vendus aux États-Unis et au Canada.

Pour obtenir l'adresse du centre de réparations Ryobi agréé le plus proche, appeler le 1-800-860-4050.

REGLAS DE SEGURIDAD GENERALES

ADVERTENCIA:

Lea y comprenda todas las instrucciones. El incumplimiento de las instrucciones señaladas abajo puede causar descargas eléctricas, incendios y lesiones corporales serias.

LEA TODAS LAS INSTRUCCIONES

- Para utilizar este producto de una forma segura, lea y entienda todas las instrucciones antes de usarlo. Siga todas las instrucciones de seguridad. La inobservancia de todas las instrucciones de seguridad señaladas abajo puede causar lesiones corporales graves.
- No permita que utilicen esta unidad niños ni personas carentes de la debida instrucción para su manejo.
- No haga arrancar o funcionar el motor en un espacio confinado, de edificio, cerca de ventanas abiertas, o en otro área sin ventilación donde se puedan recolectar las emanaciones de monóxido de carbono. El monóxido de carbono, un gas incoloro, inodoro y sumamente peligroso, puede causar la pérdida de la conciencia o la muerte.
- Despeje el área de trabajo cada vez antes de utilizar esta herramienta. Retire todos los objetos tales como piedras, vidrios rotos, clavos, alambre o cuerdas que pudiesen resultar lanzados o enredados en el hilo de corte o cuchilla, según sea el caso.
- Siempre utilice protección ocular con protección lateral con la marca de cumplimiento de la norma ANSI Z87.1, como así también protección auditiva cuando utilice este equipo. Si no cumple esta advertencia, los objetos que salen despedidos pueden producirle lesiones serias en los ojos.
- Póngase pantalones, mangas largas, botas y guantes gruesos. No se ponga ropa holgada o pantalones cortos, sandalias ni ande descalzo. No se ponga joyas de ninguna clase.
- La ropa protectora pesada puede aumentar la fatiga del operador, lo cual puede originar un golpe de calor. En climas cálidos y húmedos, el trabajo pesado debe programarse para las primeras horas de la mañana o las últimas horas de la tarde, cuando las temperaturas son más bajas.
- Nunca utilice esta unidad colocándola al lado izquierdo de usted.
- Recójase el cabello largo arriba del nivel de los hombros para evitar que se enrede en las piezas móviles.
- Mantenga a todas las personas presentes, niños y animales por lo menos a 15 m (50 pies) de distancia. Debe exhortarse a los circunstantes a ponerse protección para los ojos. Si alguien se aproxima mientras usted está utilizando la herramienta, apague el motor y el accesorio de corte. En el caso de las unidades con cuchilla, existe el riesgo adicional de que las personas presentes sufran lesiones al ser golpeadas con la cuchilla en movimiento en caso de un contragolpe de la cuchilla u otra reacción inesperada de la sierra.
- No use esta unidad cuando se encuentre fatigado, enfermo, molesto o bajo los efectos del alcohol, drogas o medicamentos.
- No utilice este producto si no hay luz suficiente.
- Mantenga los pies bien afirmados y el equilibrio. No trate de alcanzar demasiado lejos. Al tratar de hacerlo puede perder el equilibrio o exponerse al contacto con superficies calientes.
- No utilice la unidad al estar en una escalera o en un soporte inestable. Una postura estable sobre una superficie sólida permite un mejor control de l'unidad en situaciones inesperadas.
- Mantenga todas las partes del cuerpo alejadas de toda pieza móvil.
- Para evitar tocar superficies calientes, al utilizar esta unidad nunca coloque la parte inferior de la misma arriba del nivel de la cintura.
- No toque las áreas alrededor del silenciador o del cilindro de la unidad, estas partes se calientan durante el funcionamiento. Contacto con superficies calientes puede causar lesiones serias.
- Siempre apague el motor y retire el cable de la bujía antes de realizar cualquier ajuste o reparaciones, excepto para los ajustes del carburador.
- Inspeccione cada vez la unidad antes de usarla para ver si tiene tornillos flojos, fugas de combustible, etc. Reemplace toda pieza dañada antes de utilizar la unidad.
- Nunca utilice cuchillas, mayales, alambres ni cuerdas en el accesorio para recortar. Nunca utilice mayales, alambres ni cuerdas en en ninguna aditamentos.
- El accesorio de corte nunca debe girar en marcha lenta durante el uso normal. El accesorio de corte puede girar en marcha lenta durante los ajustes del carburador.
- Ha habido informes de que las vibraciones de las herramientas motorizadas de mano pueden contribuir, en ciertas personas, al desarrollo de una condición llamada síndrome de Raynaud. Entre los posibles síntomas está el hormigueo, el entumecimiento y la palidez de los dedos, síntomas presentes normalmente con la exposición al frío. Se cree que los factores hereditarios, la exposición al frío y a la humedad, la dieta, el fumar y las prácticas de trabajo contribuyen al desarrollo de estos síntomas. Actualmente se desconoce qué tipo de vibraciones o cuánto tiempo de exposición a las mismas, si tal es el caso, pueden contribuir a la mencionada afección. Hay

REGLAS DE SEGURIDAD GENERALES

medidas de precaución que puede tomar el operador para reducir posiblemente los efectos de la vibración:

- a) Mantenga caliente el cuerpo en tiempo frío. Al utilizar la unidad use guantes para mantener calientes las manos y las muñecas. Los informes médicos indican que el clima frío es un factor importante que contribuye al síndrome de Raynaud.
- b) Después de cada período de utilización de la unidad, haga ejercicio para aumentar la circulación de la sangre.
- c) Tome descansos frecuentes durante el trabajo. Limite la cantidad de exposición al día.
- d) Mantenga la herramienta bien cuidada, con los elementos de sujeción debidamente apretados y siempre cambiando las piezas desgastadas.

Si sufre cualquiera de los síntomas propios de esta condición, de inmediato interrumpa el uso de la unidad y consulte a su doctor en lo concerniente a los mismos.




- Mezcle y guarde el combustible en un recipiente aprobado para gasolina.
- Mezcle el combustible al aire libre, donde no haya chispas ni llamas. Limpie todo derrame de combustible. Aléjese por lo menos 9 m (30 pies) del sitio de reabastecimiento de combustible antes de encender el motor. Afloje lentamente la tapa del tanque de combustible después de apagarse el motor. No fume durante el reabastecimiento.
- Apague el motor y deje que se enfríe antes del reabastecimiento de combustible o de guardar la unidad.
- Deje que se enfríe el motor; vacíe el tanque de combustible y fije la unidad para inmovilizarla antes de transportarla en un vehículo.
- Póngase equipo de protección y observe todas las instrucciones de seguridad. Para los productos equipados de embrague, asegúrese de que el accesorio de corte deje de girar al tenerse el motor en marcha lenta. Al apagar la unidad, asegúrese de que el accesorio de corte se haya detenido antes de dejarla en reposo.

REGLAS DE SEGURIDAD ESPECÍFICAS









- Inspeccione el producto cada vez antes usarlo. Reemplace toda pieza dañada. Asegúrese de que todos los tornillos y demás elementos de unión estén en lugar y bien firmes. Revise la herramienta para ver si tiene fugas de combustible.
- Reemplace el cabezal del hilo si estuviese agrietado, astillado o dañado de alguna manera. Asegúrese de que el cabezal del hilo, o cuchilla, según sea el caso, esté debidamente instalado y firmemente asegurado. La inobservancia de esta advertencia puede causar lesiones corporales serias.
- Asegúrese de que todas las protecciones, correas, deflectores y mangos estén firme y correctamente instalados.
- En el cabezal de corte use únicamente hilo de repuesto idénticos. No use ningún otro aditamento de corte. Instalar cualquier otro tipo de hilo de corte o hilo de repuesto en esta recortadora de hilo puede producir lesiones corporales serias. Por ejemplo, nunca utilice alambre ni cable, segmentos de los cuales pueden desprenderse y convertirse en peligrosos proyectiles.
- Nunca utilice la unidad si el deflector de césped no está en posición y en buenas condiciones de funcionamiento.
- Sujete firmemente ambos mangos al estar recortando. Mantenga el cabezal del hilo por debajo del nivel de la cintura. Nunca corte con el cabezal del hilo a más de 762 mm (30 pulg.) del suelo.
- Este producto está diseñado para uso poco frecuente por parte de propietarios y otros usuarios ocasionales para aplicaciones generales como cortar vegetación ligera y pesada, etc. No es para uso prolongado. Los períodos prolongados de manejo de la unidad pueden causar problemas circulatorios en las manos del operador debido a la vibración. Para tal uso puede convenir utilizar una sierra dotada de características de antivibración.
- Guarde estas instrucciones. Consúltelas con frecuencia y empléelas para instruir a otras personas que puedan utilizar esta herramienta. Si presta a alguien esta herramienta, facilítele también las instrucciones.

SÍMBOLOS

Las siguientes palabras de señalización y sus significados tienen el objeto de explicar los niveles de riesgo relacionados con este producto.

SÍMBOLO	SEÑAL	SIGNIFICADO
	PELIGRO:	Indica una situación peligrosa inminente, la cual, si no se evita, causará la muerte o lesiones serias.
	ADVERTENCIA:	Indica una situación peligrosa posible, la cual, si no se evita, podría causar la muerte o lesiones serias.
	PRECAUCIÓN:	Indica una situación potencialmente peligrosa la cual, si no se evita, puede causar lesiones leves o moderadas.
	AVISO:	(Sin el símbolo de alerta de seguridad) Indica información importante no relacionada con ningún peligro de lesiones, como una situación que puede ocasionar daños físicos.

Es posible que se empleen en este producto algunos de los siguientes símbolos. Le suplicamos estudiarlos y aprender su significado para mayor seguridad al manejar este producto.

SYMBOLO	NOMBRE	EXPLICACIÓN
	Símbolo de alerta de seguridad	Indica un peligro posible de lesiones personales.
	Lea el manual del operador	Para reducir el riesgo de lesiones, el usuario debe leer y comprender el manual del operador antes de usar este producto.
	Protección para los ojos y los oídos	Siempre utilice protección ocular con protección lateral con la marca de cumplimiento de la norma ANSI Z87.1, como así también protección auditiva cuando utilice este equipo.
	Mantenga alejadas a las personas presentes	Mantenga alejados a los observadores a un mínimo de 15 m (50 pies) de distancia.
	Rebote	Cualquier objeto lanzado puede rebotar y producir lesiones personales o daños físicos.
	No instale hoja de corte	No instale ni utilice ningún tipo de hoja de corte en ningún producto con este símbolo.
	Superficie caliente	Para reducir el riesgo de lesiones corporales o daños materiales evite tocar toda superficie caliente.
	Gasolina y lubricante	Use gasolina sin plomo destinada para vehículos con un octanaje de 87 [(R + M) / 2] o más. Este producto está impulsado por un motor de dos tiempos y utiliza una mezcla de gasolina y lubricante para motor de dos tiempos.

CARACTERÍSTICAS

ESPECIFICACIONES DEL PRODUCTO

Anchura del corte del hilo

Eje curvo.....432 mm (17 pulg.)

De eje recto457 mm (18 pulg.)

Cilindrada del motor.....25 cc

Diámetro del hilo2,4 mm [0,095 pulg. (0.095 in.)]

FAMILIARÍCESE CON SU PRODUCTO

Vea la figura 1.

Para usar este producto con la debida seguridad se debe comprender la información indicada en la herramienta misma y en este manual, y se debe comprender también el trabajo que intenta realizar. Antes de usar este producto, familiarícese con todas las características de funcionamiento y normas de seguridad del mismo.

DISEÑO ERGONÓMICO

El diseño de la recortadora permite un fácil manejo de la misma. El diseño brinda una sujeción cómoda y fácil para el trabajo en diferentes posiciones y ángulos.

DEFLECTOR DE PASTO

La producto incorpora un deflector de pasto que ayuda a proteger al operador de los desechos lanzados por la herramienta.

MECANISMO DE AVANCE DE HILO REEL-EASY™

El sistema de avance de hilo por golpe Reel-Easy permite avanzar con facilidad el hilo al utilizarse la recortadora.

MOTOR MONTADO EN LA PARTE SUPERIOR

Con el motor montado en la parte superior se mejora el equilibrio y está alejado del polvo y de los desechos del área de corte.

ARMADO

DESEMPAQUETADO

Este producto debe armarse.

- Extraiga cuidadosamente de la caja la producto y los accesorios. Asegúrese de que estén presentes todos los artículos enumerados en la lista de empaquetado.



ADVERTENCIA:

No utilice este producto si alguna pieza incluida en la lista de empaquetado ya está ensamblada al producto cuando lo desempaqueta. El fabricante no ensambla las piezas de esta lista en el producto. Éstas deben ser instaladas por el usuario. El uso de un producto que puede haber sido ensamblado de forma inadecuada podría causar lesiones personales graves.

- Inspeccione cuidadosamente la producto para asegurarse de que no haya sufrido ninguna rotura o daño durante el transporte.
- No deseche el material de empaquetado hasta que haya inspeccionado cuidadosamente la producto y la haya utilizado satisfactoriamente.
- Si hay piezas dañadas o faltantes, le suplicamos llamar al 1-800-860-4050, donde le brindaremos asistencia.

LISTA DE EMPAQUETADO

Eje Curvo

- Conjunto de la recortadora
- Mango delantero con piezas de ferretería
- Deflector de pasto del eje curvo
- Botella de lubricante para motor de dos tiempos
- Manual del operador

De eje Recto

- Conjunto de la recortadora
- Mango delantero con piezas de ferretería
- Deflector de pasto del eje recto
- Botella de lubricante para motor de dos tiempos
- Manual del operador



ADVERTENCIA:

Si falta o está dañada alguna pieza, no utilice este producto sin haber reemplazado la pieza. Usar este producto con partes dañadas o faltantes puede causar lesiones serias al operador.

ARMADO

ADVERTENCIA:

No intente modificar este producto ni hacer accesorios no recomendados para la misma. Cualquier alteración o modificación constituye maltrato el cual puede causar una condición peligrosa, y como consecuencia posibles lesiones corporales serias.

ADVERTENCIA:

Para evitar un arranque accidental que podría causar lesiones corporales graves, siempre desconecte el cable de la bujía del motor de la bujía misma al ensamblar las piezas.

INSTALACIÓN DEL CABEZAL MOTOR EN EL ADITAMENTO

Veja la figura 2.

ADVERTENCIA:

Nunca una ni ajuste ningún aditamento, desmontar o mientras esté funcionando el cabezal motor. Si no apaga el motor puede causarse lesiones serias a sí mismo y a otras personas.

El aditamento se conecta al cabezal motor mediante un dispositivo acoplador.

- Apague el motor y desconecte el cable de la bujía.
- Afloje la perilla en el acoplador del eje del cabezal motor y retire la tapa de suspensión del accesorio.
- Oprima el botón situado en el eje del aditamento. Alinee el botón con el hueco guía situado en el acoplador del cabezal motor, y con un movimiento de deslizamiento una los dos ejes. Gire el eje del aditamento hasta que el botón quede asegurado en el orificio de posicionamiento.
NOTA: Si el botón no brota completamente en el orificio de posicionamiento, significa que los ejes no están bien asegurados en su lugar. Gire levemente los ejes de un lado a otro hasta que el botón quede asegurado en su lugar.
- Apriete firmemente la perilla.

ADVERTENCIA:

Asegúrese de que esté bien apretada la perilla antes de utilizar el equipo; verifique periódicamente el apriete de la misma durante el uso para evitar lesiones corporales graves.

DESMONTAJE DEL ADITAMENTO DEL CABEZAL MOTOR

- Apague el motor y desconecte el cable de la bujía.
- Afloje la perilla.
- Oprima el botón y gire los ejes para separar los extremos de los mismos.

MONTAJE DE LA ASA DE ALMACENAMIENTO

Veja la figura 3.

Hay dos formas de colgar el aditamento para guardarlo.

- Para usar la tapa de suspensión, oprima el botón y coloque la tapa en el extremo del eje del aditamento. Gire levemente la tapa de un lado a otro hasta que quede asegurado en su lugar el botón.
- El orificio secundario del eje del aditamento puede emplearse también para colgar éste.

MONTAJE DEL MANGO DELANTERO

Veja la figura 4.

- Retire la tuerca de mariposa y perno del clip de la mango delantero.
- Instale el mango delantero sobre el lado superior del alojamiento del eje de impulsión en el área que indica la etiqueta.
- Coloque el perno a través del mango delantero.
NOTA: El perno de cabeza hexagonal cabe en el hueco de tal forma moldeado en un costado del mango.
- Vuelva tuerca de mariposa.
- Apriete firmemente la tuerca de mariposa.

MONTAJE DEL DEFLECTOR DE PASTO

ADVERTENCIA:

La cuchilla de cortar el hilo del deflector de pasto está afilada. Evite tocar la cuchilla. Si no evita tal contacto puede originarse lesiones corporales serias.

PARA MONTAR EL DEFLECTOR DE PASTO DEL EJE CURVO

Veja la figura 5.

- Quite tornillo de hexagonal y la tuerca de mariposa del deflector de pasto.
- Monte el deflector de pasto en la parte inferior del eje curvo, como se muestra.
- Introduzca el tornillo de hexagonal a través del deflector de pasto y del soporte del eje curvo.
- Coloque la tuerca de mariposa en el tornillo de hexagonal y apriételes firmemente.

PARA MONTAR EL DEFLECTOR DE PASTO PARA EJE RECTO

Veja la figura 6.

- Retire el tornillo de mariposa del deflector de pasto.
- Introduzca la orejeta del soporte de montaje en la ranura del deflector de pasto.
- Alinee el orificio del tornillo en el soporte de montaje con orificio del tornillo del deflector de pasto.
- Introduzca el tornillo de mariposa a través del soporte de montaje y en el deflector de pasto.
- Apriete firmemente el tornillo.

FUNCIONAMIENTO

ADVERTENCIA:

No permita que su familiarización con este producto le vuelva descuidado. Tenga presente que un descuido de un instante es suficiente para infligir una lesión grave.

ADVERTENCIA:

Siempre póngase protección ocular con protección lateral con la marca de cumplimiento de la norma ANSI Z87.1. La inobservancia de esta advertencia puede permitir que los objetos lanzados hacia los ojos y otros provocarle lesiones graves.

ADVERTENCIA:

No use cuchillas, dispositivos desgranadores, cables ni cuerdas. No utilice ningún aditamento o accesorio no recomendado por el fabricante de este producto. El empleo de aditamentos o accesorios no recomendados podría causar lesiones serias.

AVISO:

El parachispas que acompaña a este producto no ha sido evaluado por el Servicio Forestal del Departamento de Agricultura de EE. UU. y no se puede usar en terrenos forestales de EE. UU. Además, los usuarios del producto deben cumplir con los reglamentos de prevención de incendios locales, estatales y federales. Consulte a las autoridades que correspondan. Consulte el manual del motor adjunto sobre el mantenimiento y las piezas de repuesto.

AVISO:

Antes de cada uso, inspeccione todo el producto para detectar partes dañadas, faltantes o sueltas, como tornillos, tuercas, pernos, tapas, etc. Apriete firmemente todos los sujetadores y las tapas y no accione este producto hasta que todas las partes faltantes o dañadas sean reemplazadas. Llame al 1-800-860-4050 o comuníquese con un centro de servicio autorizado para recibir asistencia.

ABASTECIMIENTO Y REABASTECIMIENTO DE COMBUSTIBLE DE LA RECORTADORA

ADVERTENCIA:

La gasolina y sus vapores son altamente inflamables y explosivos. Maneje con cuidado el producto para evitar lesiones personales graves y daños a la propiedad. Manténgalo alejado de fuentes de ignición y llamas abiertas, utilícelo al aire libre únicamente, no fume mientras mezcla la gasolina y el lubricante y limpie los derrames inmediatamente.

MEZCLA DE COMBUSTIBLE

Este producto está accionado por un motor de 2 tiempos y requiere el premezclado de gasolina y lubricante para motor de dos tiempos. Mezcle previamente gasolina sin plomo y lubricante para motores de 2 tiempos en un recipiente y de uso aprobado para gasolina. NO mezcle más producto del que pueda utilizar en un período de 30 días.

Combustible recomendado: El motor está certificado para funcionar con gasolina sin plomo destinada para uso automotor.

NOTA: Le recomendamos que utilice el lubricante de 2 ciclos Ethanol Shield, el lubricante PowerCare de primera calidad para motores de 2 tiempos o cualquier lubricante sintético de alta calidad para motores de 2 tiempos en este producto. Mezcle a razón de 76 ml (2.6 oz.) por galón (EE. UU.).

No use lubricante de uso automotor ni lubricante para motores fuera de borda de 2 tiempos.

LUBRICANTE DE ALTA CALIDAD PARA MOTOR DE DOS TIEMPOS



GASOLINA

LUBRICANTE

3,8 litro [1,0 galón (US)]

76 ml (2,6 onzas)

9,5 litro [2,5 galón (US)]

189 ml (6,4 onzas)

LLENADO DEL TANQUE

- Limpie la superficie alrededor de la tapa del tanque de combustible para evitar toda contaminación.
- Afloje lentamente la tapa del tanque de combustible. Coloque la tapa en una superficie limpia.
- Vierta cuidadosamente el combustible en el tanque. Evite los derrames.
- Antes de volver a colocar la tapa del tanque de combustible, limpie e inspeccione la junta.
- Vuelva a colocar inmediatamente la tapa del tanque de combustible y apriételo con la mano. Limpie todo derrame de combustible.

NOTA: Es normal que salga humo de un motor nuevo después de usarlo por primera vez.

ADVERTENCIA:

Siempre apague el motor antes de abastecer el combustible. Nunca agregue combustible a una máquina con el motor en marcha o caliente. Aléjese por lo menos 30 pies (9 metros) del sitio de reabastecimiento de combustible antes de encender el motor. ¡No fume! La manipulación insegura del combustible puede producir lesiones graves.

FUNCIONAMIENTO

COMBUSTIBLES OXIGENADOS

AVISO:

No utilice combustibles E15 o E85 (ni combustibles que contengan más de 10 % de etanol) con este producto. Esto constituye una violación a la ley federal, dañará la unidad y anulará la garantía.

No están cubiertos en la garantía los problemas de desempeño o daños al sistema de combustible producidos por el uso de un combustible oxigenado con un contenido superior a los porcentajes de alcohol o compuesto de éter señalados abajo.

Etanol. Las gasolinas con un contenido de 10% de etanol por volumen (comúnmente conocida como E10) es aceptables. **Las gasolinas E15 y E85 no lo son.**

NOTA: Para mejorar el rendimiento cuando se utilizan combustibles oxigenados, se recomienda el uso del lubricante de 2 ciclos Ethanol Shield.

ARRANQUE Y APAGADO

Vea las figuras 7 a 9.

Para el arranque debe colocarse la recortadora en una superficie plana y despejada.

Para arrancar con el motor frío:

- Deposite la herramienta en una superficie plana descubierta.
- Presione el bulbo del cebador aproximadamente 10 veces.
- Coloque la palanca del anegador en la posición “**FULL CHOKE**” (anegación máxima).
- Presione el botón de bloqueo y apriete el gatillo acelerador a fondo y jale del mango de arranque firmemente hasta que el motor trate de arrancar (no más de 4 veces).
- Ponga la palanca del anegador en la posición “**HALF CHOKE**” (anegación media).
- Tire del mango del arrancador hasta que empiece a funcionar el motor, no tire más de seis (6) veces.
- Coloque la palanca del anegador en la posición “**RUN**” (funcionamiento).

NOTA: En entornos más fríos, pueden necesitarse más tirones del mango del arrancador, con la palanca en la posición de “**FULL CHOKE**” (anegación máxima).

Para arrancar con el motor caliente:

- Deposite la herramienta en una superficie horizontal descubierta.
- Oprima y suelte hasta 10 veces la bomba de cebado.
- Ponga la palanca del anegador en la posición “**RUN**” (funcionamiento).
- Presione el botón de bloqueo y apriete el gatillo acelerador a fondo, jale del cable de arranque.

NOTA: Si la unidad no arranca, repita los pasos previos.

Para apagar el motor:

- Para apagar el motor, coloque el interruptor de “**STOP**” en la posición de apagado “”.

SI NECESITA ASISTENCIA PARA UTILIZAR ESTE PRODUCTO:

No devuelva este producto a la tienda donde fue adquirido. Por favor llame al Departamento de Atención al Cliente para todo problema que pueda tener.

Si necesita asistencia llame al: 1-800-860-4050

MANEJO DE LA RECORTADORA

Vea las figuras 9 y 10.

ADVERTENCIA:

Es posible que la carcasa del motor se caliente mientras la recortadora de hilo esté en uso. No apoye ni coloque el brazo, la mano ni ninguna parte del cuerpo contra la carcasa del motor mientras la recortadora esté en uso. Sólo sostenga la recortadora como se muestra en la figura 10 con todas las partes del cuerpo alejadas de la carcasa del motor. El contacto prolongado con la carcasa del motor puede causar quemaduras u otras lesiones.

ADVERTENCIA:

Siempre coloque la unidad al lado derecho de usted. Si se utiliza la unidad colocándola en el lado izquierdo del cuerpo, el usuario expone éste a superficies calientes, lo cual puede causar lesiones por quemadura.

ADVERTENCIA:

Para evitar quemaduras causadas por tocar superficies calientes, al utilizar esta unidad nunca coloque la parte inferior de la misma arriba del nivel de la cintura.

Sujete la recortadora con la mano derecha en el mango trasero y coloque la mano izquierda en el mango delantero. Sujete firmemente la unidad con ambas manos durante la operación. Se recomienda sujetar la recortadora en una posición cómoda, con el mango trasero a la altura de la cadera.

Siempre utilice la recortadora a la posición **RUN** (funcionamiento). Corte la hierba alta desde la parte superior hacia abajo. Esto evitará que la hierba se enrolle alrededor del alojamiento del eje y del cabezal del hilo que pudiese causar daño por calentamiento excesivo. Si la hierba se enrolla alrededor del cabezal del hilo, **APAGUE EL MOTOR**, desconecte el cable de la bujía y desprenda la hierba. Un recorte prolongado con el acelerador parcialmente abierto produce goteo de lubricante por el silenciador.

FUNCIONAMIENTO

ADVERTENCIA:

Siempre sujete la recortadora de hilo lejos del cuerpo, manteniendo un espacio entre el cuerpo y la herramienta. Cualquier contacto del cuerpo con la armazón o el cabezal de corte de la recortadora de hilo puede producir quemaduras y/o otras lesiones serias.

SUGERENCIAS PARA CORTAR

Vea las figuras 10 a 12.

- Evite tocar las superficies calientes de la herramienta; para ello, manténgala lejos del cuerpo. (La posición correcta de manejo de la herramienta se muestra en la figura 10.)
- Mantenga la recortadora inclinada hacia el área de corte; ésta es la mejor área de corte.
- La recortadora de eje curvo corta cuando se pasa la unidad de derecha a izquierda. La recortadora de eje recto corta cuando se pasa la unidad de izquierda a derecha. De esta manera se evita el lanzamiento de desechos hacia el operador. Evite cortar en el área peligrosa mostrada en la ilustración.
- Use la punta del hilo para efectuar el recorte; no fuerce el cabezal del hilo hacia la hierba sin cortar.
- Las cercas de alambre y de estacas causan desgaste adicional en el hilo, incluso la ruptura. Los muros de piedra y de ladrillo, los cordones y la madera pueden gastar rápidamente el hilo.
- Evite el contacto con árboles y los arbustos. La corteza de los árboles, las molduras de madera, los revestimientos de las paredes y los postes de las cercas pueden resultar dañados fácilmente por el hilo.

PARA AVANZAR EL HILO DE CORTE (CABEZAL DEL HILO DE REEL-EASY)

El avance del hilo se controla golpeando levemente el cabezal del hilo contra el pasto mientras el motor funciona a la máxima aceleración.

- Haga funcionar el motor a la máxima aceleración.
- Golpee el perilla sobre el suelo para hacer avanzar el hilo. El hilo avanza cada vez que se golpea sobre el suelo el retén del carrete. No mantenga el perilla sobre el suelo.

NOTA: La cuchilla de cortar el hilo montada en el deflector de pasto corta el hilo a la longitud correcta.

NOTA: Si el hilo se gasta hasta quedar muy corto quizá no pueda avanzar el hilo tras golpear el cabezal contra el suelo. Si así fuera, apague el motor y avance manualmente el hilo.

Para avanzar manualmente el hilo de corte:

- Apague el motor y desconecte el cable de la bujía.
- Empuje hacia adentro el perilla mientras tira del hilo, o hilos, según sea el caso, para avanzar manualmente el hilo.

CUCHILLA DE CORTE DEL HILO EN EL DEFLECTOR DE HIERBA

Vea la figura 13.

Esta recortadora está equipada con una cuchilla de corte del hilo instalada en el deflector de pasto. Para mejores resultados en el recorte, avance el hilo hasta que la cuchilla lo corte a la longitud apropiada. Avance el hilo siempre que escuche que el motor está funcionando más rápido de lo normal, o cuando disminuya la eficiencia del corte. Esto mantendrá un mejor desempeño y mantendrá el hilo a la suficiente longitud para avanzar apropiadamente.

MANTENIMIENTO

ADVERTENCIA:

Al dar servicio a la unidad, sólo utilice piezas de repuesto idénticas. El empleo de piezas diferentes podría causar un peligro o dañar el producto.

ADVERTENCIA:

Siempre póngase protección ocular con protección lateral con la marca de cumplimiento de la norma ANSI Z87.1. La inobservancia de esta advertencia puede permitir que los objetos lanzados hacia los ojos y otros provocarle lesiones graves.

ADVERTENCIA:

Antes de inspeccionar, limpiar o dar mantenimiento a la máquina, apague el motor, espere hasta que se detengan todas las piezas en movimiento, desconecte el cable de la bujía y apártelo de la bujía. El incumplimiento de estas instrucciones puede provocar lesiones personales graves o daños materiales.

AVISO:

Inspeccione periódicamente todo el producto para detectar partes dañadas, faltantes o sueltas, como tornillos, tuercas, pernos, tapas, etc. Apriete firmemente todos los sujetadores y las tapas y no accione este producto hasta que todas las partes faltantes o dañadas sean reemplazadas. Llame al 1-800-860-4050 o comuníquese con un centro de servicio autorizado para recibir asistencia.

MANTENIMIENTO GENERAL

Evite el empleo de solventes al limpiar piezas de plástico. La mayoría de los plásticos son susceptibles a diferentes tipos de solventes comerciales y pueden resultar dañados. Utilice paños limpios para eliminar la suciedad, el polvo, el lubricante, la grasa, etc.

ADVERTENCIA:

No permita en ningún momento que fluidos para frenos, gasolina, productos a base de petróleo, lubricantes penetrantes, etc., lleguen a tocar las piezas de plástico. Los productos químicos pueden dañar, debilitar o destruir el plástico, lo cual podría causar lesiones serias.

REEMPLAZO DEL CARRETE SISTEMA DE AVANCE DE HILO POR GOLPE REEL-EASY

Vea las figuras 14 a 16.

Si únicamente va a reabastecer el hilo, consulte la sección **Reabastecimiento del hilo** más adelante en este manual.

Use únicamente hilo monofilar de 2,4 mm (0,095 pulg.) de diámetro.

- Apague el motor y desconecte el cable de la bujía. Sujete el cabezal del hilo y desenrosque el retén del carrete.

Para retirar el retén del carrete:

En el caso de la eje curvo, gire hacia la izquierda el retén del carrete.

En el caso de la de eje recto, gire hacia la derecha el retén del carrete.

- Retire el carrete vacío del cabezal del hilo.

NOTA: No es necesario quitar el alojamiento del cabezal del hilo del eje de impulsión.

- Inserte el nuevo carrete en el cabezal del hilo.

NOTA: Asegúrese de que las flechas en el carrete estén alineadas con los ojillos en el alojamiento del cabezal del hilo. Presione hacia abajo y mantenga presionado el carrete y el alojamiento al mismo tiempo mientras se completa la instalación.

- Vuelva a colocar el retén del carrete para asegurarlo.

Para instalar el retén del carrete:

En el caso de la eje curvo, gire hacia la derecha el retén del carrete.

En el caso de la de eje recto, gire hacia la izquierda el retén del carrete.

- Coloque el hilo como se describe en la sección **Reabastecimiento del hilo**.

REABASTECIMIENTO DEL HILO

Vea las figuras 16 a 18.

- Apague el motor y desconecte el cable de la bujía.
- Gire el carrete hacia la derecha según sea necesario para alinear las flechas del carrete con los ojillos en el alojamiento del cabezal del hilo.
- Corte una pieza de hilo monofilar de 5,5 m (18 pies) de largo. encuentre la mitad del tramo de hilo. Inserte el hilo en el ojillo ubicado en el alojamiento de la recortadora de hilo. Empuje hasta que el extremo del hilo salga por el otro lado del cabezal del hilo. Tire del hilo del otro lado hasta que obtenga la misma cantidad de hilo en ambos lados del carrete.
- Gire el carrete hacia la derecha para enrollar el hilo en éste hasta obtener aproximadamente 152,4 mm (6 pulg.) de hilo en cada lado.
- Presione el retén del carrete a la vez que tira del hilo, o hilos, para avanzar manualmente el hilo y para verificar el ensamblaje correcto del cabezal del hilo.

LIMPIEZA DEL ORIFICIO DE ESCAPE, EL SILENCIADOR Y EL PARACHISPAS

AVISO:

El parachispas que acompaña a este producto no ha sido evaluado por el Servicio Forestal del Departamento de Agricultura de EE. UU. y no se puede usar en terrenos forestales de EE. UU. Además, los usuarios del producto deben cumplir con los reglamentos de prevención de incendios locales, estatales y federales. Consulte el manual del motor adjunto sobre el mantenimiento y las piezas de repuesto.

MANTENIMIENTO

NOTA: Dependiendo del tipo de combustible utilizado, el tipo y la cantidad de lubricante utilizado, o las condiciones de funcionamiento en particular, la abertura de escape, el silenciador y/o el parachispas pueden resultar obstruidos con depósitos de carbón. Si observa alguna pérdida de potencia en su herramienta con motor de gasolina, quizá sea necesario eliminar dichos depósitos para restaurar el rendimiento. Recomendamos enfáticamente que este servicio lo realicen únicamente los técnicos de servicio calificados.

Es necesario limpiar o reemplazar el parachispas cada 50 horas o anualmente para asegurarse del buen funcionamiento de la unidad. Los parachispas pueden estar instalados en diferentes posiciones dependiendo del modelo del cual se trate. Comuníquese con el establecimiento de servicio más cercano para confirmar la ubicación del parachispas para su modelo específico.

AJUSTE DE LA MARCHA LENTA

Vea la figura 19.

ADVERTENCIA:

El cabezal de corte se moverán cuando se ajuste la velocidad de marcha lenta. Utilice todas las prendas de protección y no permita la presencia de personas ajenas a la operación, niños ni mascotas a menos de 15 metros (50 pies) de distancia. Realice los ajustes con la unidad apoyada a mano de modo que la cuchilla y/o el cabezal de corte no entren en contacto con el piso ni con cualquier objeto. Mantenga todas las partes del cuerpo alejadas del cabezal de corte y el silenciador. El incumplimiento de estas instrucciones podría causar lesiones personales de gravedad.

Si el accesorio del corte avanza estando el motor en marcha lenta, se necesita ajustar el tornillo de marcha lenta del motor. Gire el tornillo de velocidad de marcha lenta en el sentido contrario a las manecillas del reloj para reducir las RPM y que se detenga el movimiento del accesorio del corte. Si el accesorio del corte aún se mueve al estar el motor en marcha lenta, contacte a un representante de servicio para el ajuste y suspenda el uso de la misma hasta que se efectúe la reparación.

ADVERTENCIA:

El accesorio del corte nunca debe girar en marcha lenta. Gire a la izquierda el tornillo de marcha lenta para reducir dicha marcha y así detener el accesorio de corte, o comuníquese con un representante de servicio para que la ajusten, y suspenda el uso de la unidad hasta que se efectúe la reparación. Si el accesorio del corte se mueve al estar el motor en marcha lenta, podría resultar lesiones corporales serias.

LIMPIEZA DEL FILTRO DE AIRE

Vea las figuras 20 y 21.

Para obtener un desempeño apropiado y una larga vida útil de la unidad, mantenga limpio el filtro de aire.

- Retire la tapa del filtro de aire ejerciendo presión hacia abajo sobre los pestillos mientras la extrae lentamente.
- Retire el filtro de aire.
- Limpie el elemento de filtro de espuma con agua jabonosa tibia. Enjuague y deje que seque.

NOTA: Si la unidad de filtro de aire está sucia o dañada, debe ser reemplazada.

- Aplique una capa delgada de aceite de motor al elemento de filtro de espuma, luego escúrrala.
- Vuelva a instalar el filtro.

NOTA: Asegúrese de que el filtro esté asentado correctamente en el interior de la tapa. Si se instala de forma incorrecta el filtro el polvo entra en el motor y causa un rápido desgaste del mismo.

- Reemplace la tapa del filtro de aire colocando las ranuras de la tapa del filtro de aire en el los pestillos del alojamiento, luego presiona la tapa hasta que quede firmemente enganchada.

TAPA DEL TANQUE DE COMBUSTIBLE, TANQUE, Y CONDUCTOS

ADVERTENCIA:

Revise la herramienta para ver si tiene fugas de combustible. Una tapa del tanque de combustible, tanque o conductos, con fugas constituye un riesgo de incendio y debe reemplazarse inmediatamente. Si encuentra fugas, corrija el problema antes de utilizar la herramienta. De lo contrario puede producirse un incendio, con el consiguiente riesgo de lesiones serias.

La tapa del tanque de combustible contiene un filtro que no necesita mantenimiento y una válvula de retención. Un filtro de combustible obstruido puede causar un desempeño deficiente del motor. Si mejora el desempeño al aflojar la tapa del tanque de combustible, es posible que esté defectuosa la válvula de retención o quizá esté obstruido el filtro. Reemplace la tapa del tanque de combustible si es necesario.

REEMPLAZO DE LA BUJÍA

La bujía de este motor se puede cambiar por una bujía accesorio Ryobi AC00160 o por una Torch L7RTC. Fije la una separación interelectrónica de 0,63 mm (0,025 pulg.). Utilice un repuesto idéntico y cámbielo anualmente.

AVISO:

Tenga cuidado de no estropear la rosca de la bujía. Si se estropea la rosca de la bujía, resultará seriamente dañado el producto.

MANTENIMIENTO

ALMACENAMIENTO DE LA PRODUCTO

- Limpie todo material extraño de la producto. Almacene la unidad en un espacio bien ventilado inaccesible a los niños. Evite que la unidad entre en contacto con agentes corrosivos como las sustancias químicas para el jardín y las sales para derretir el hielo.
- Cumpla todos los reglamentos federales y municipales para el almacenamiento y manejo seguro de la gasolina.

Al almacenar 1 mes o más:

- Drene todo el combustible del tanque en un recipiente de uso aprobado para gasolina. Accione el motor hasta que se apague.

OPERACIÓN DEL MOTOR A ALTITUDES ELEVADAS

Lleve este equipo a un centro de servicio técnico autorizado para que ajusten este motor en caso de que se lo deba hacer funcionar a más de 609,6 metros (2000 pies) de altura. De no hacerlo, el rendimiento del motor podría ser deficiente y se generaría un mayor nivel de emisiones contaminantes. Un motor ajustado para altitudes elevadas no puede hacerse funcionar a una altura inferior a los 609,6 metros (2000 pies). De hacerlo, el motor se sobrecalentará y sufrirá graves daños. Lleve todo motor que haya sido modificado para funcionar a altitudes elevadas a un centro de servicio técnico autorizado para que restauren las condiciones de las especificaciones de fábrica originales antes de hacerlo funcionar a menos de 609,6 metros (2000 pies) de altura.

ESTE PRODUCTO SE FABRICÓ CON UN SILENCIADOR CATALÍTICO

¡Felicidades! Acaba de realizar una inversión para proteger el medio ambiente. A fin de conservar el nivel de emisiones original de este producto, le suplicamos consultar el apartado sobre mantenimiento que aparece abajo.

PROGRAMA DE MANTENIMIENTO				
Pieza de mantenimiento	Inspeccionar cada vez antes de usar la unidad	Limpiar cada 5 horas de uso	Reemplazar cada 25 horas de uso o cada año	Reemplácelo cada 50 Horas
* CONJUNTO DE SILENCIADOR CATALÍTICO				X
PANTALLA PARACHISPAS				X
* CONJUNTO DEL FILTRO DE AIRE				
incluye:				
Pantalla del filtro				X
* CONJUNTO DEL CARBURADOR				
incluye:				
Juntas				X
* CONJUNTO DEL TANQUE DE COMBUSTIBLE				
incluye:				
Conductos de combustible.....				X
Tapa del tanque de combustible.....				X
Filtro de combustible				X
* CONJUNTO DEL ENCENDIDO				
incluye:				
Bujía				X
* AVISO: EL USO DE COMPONENTES DE CONTROL DE EMISIONES QUE NO SEAN LOS DISEÑADO PARA ESTA UNIDAD INFRINGE LA LEGISLACIÓN FEDERAL.				



LLÁMENOS PRIMERO

Si tiene preguntas sobre el funcionamiento o el mantenimiento este producto, llame al teléfono de atención al consumidor de Ryobi®. La recortadora ha sido probada enteramente antes de embarcarse para asegurar la satisfacción del consumidor.

SOLUCIÓN DE PROBLEMAS

SI CON ESTAS SOLUCIONES NO SE RESUELVE EL PROBLEMA, COMUNÍQUESE CON EL CONCESIONARIO DE SERVICIO AUTORIZADO DE SU PREFERENCIA.

PROBLEMA	CAUSA POSIBLE	SOLUCIÓN
El motor no arranca	<ol style="list-style-type: none"> 1. No hay chispa. 2. No hay combustible. 3. Está ahogado el motor. 	<ol style="list-style-type: none"> 1. Limpie o reemplace la bujía, según sea necesario. Reajuste la separación interelectrónica de la bujía. Consulte la sección Reemplazo de la bujía más arriba en este manual. 2. Presione la bomba de cebado hasta que se llene de combustible la misma. Si no se llena la bomba, significa que está obstruido el sistema de conducción de combustible. Comuníquese con un establecimiento autorizados de servicio. Si se llena la bomba, es posible que esté ahogado el motor, prosiga con el siguiente punto. 3. Coloque la palanca del anegador en la posición FULL CHOKE (arranque). Oprima el gatillo y tire de la cuerda hasta que el motor arranque y funcione. NOTA: Dependiendo de la intensidad del ahogamiento, pueden requerirse numerosos tirones de la cuerda.
El motor no alcanza la máxima velocidad y emite demasiado humo	<ol style="list-style-type: none"> 1. Mezcla de lubricante y combustible incorrecta. 2. Está sucio el filtro de aire pantalla. 3. Está sucia la pantalla parachispas. 4. Falló la bujía. 	<ol style="list-style-type: none"> 1. Use combustible fresco y la mezcla correcta de lubricante para motor de 2 tiempos. (50:1). 2. Limpie el filtro de aire pantalla. Consulte la sección Limpieza del filtro de aire previamente en este manual. 3. Comuníquese con un establecimiento autorizados de servicio. 4. Limpie o reemplace la bujía, según sea necesario. Reajuste la separación interelectrónica de la bujía. Consulte la sección Reemplazo de la bujía más arriba en este manual.
El motor arranca, marcha y acelera pero no funciona a velocidad de marcha en vacío (ralentí)	<ol style="list-style-type: none"> 1. El tornillo de marcha lenta del carburador necesita ajuste. 	<ol style="list-style-type: none"> 1. Gire a la derecha el tornillo de marcha lenta para aumentar la velocidad de marcha en vacío (ralentí). <i>Vea la figura 19.</i>
No avanza el hilo	<ol style="list-style-type: none"> 1. El hilo se pegó a sí mismo. 2. No hay suficiente hilo en el carrete. 3. El hilo se gastó hasta quedar muy corto. 4. El hilo está enredado en el carrete. 5. La velocidad del motor está muy lenta. 	<ol style="list-style-type: none"> 1. Lubrique el resorte con rociador de silicón. 2. Instale más hilo. Consulte la sección de reabastecimiento del hilo correspondiente en este manual. 3. Tire de los hilos a la vez que alternadamente presiona y suelta el retén del carrete. 4. Retire el hilo del carrete y vuelva a enrollarlo. Consulte la sección de reabastecimiento del hilo correspondiente en este manual. 5. Avance el hilo a la máxima aceleración.
Es difícil girar el retén del carrete	<ol style="list-style-type: none"> 1. La rosca del tornillo está sucia o dañada. 	<ol style="list-style-type: none"> 1. Limpie las roscas y lubríquelas con grasa - si no hay mejoría, reemplace el retén del carrete.
El pasto se enreda alrededor del alojamiento del eje de impulsión y del cabezal del hilo	<ol style="list-style-type: none"> 1. Se está cortando la hierba alta a nivel del suelo. 2. Se está utilizando la recortadora con el anegador parcialmente abierto. 	<ol style="list-style-type: none"> 1. Corte la hierba alta de arriba hacia abajo para evitar que se enrede en la unidad. 2. Accione la recortadora a la máxima aceleración.

GARANTÍA

DECLARACIÓN DE LA GARANTÍA LIMITADA

Techtronic Industries North America, Inc. garantiza al comprador original al menudeo que este producto de la marca Ryobi® carece de defectos en los materiales y en la mano de obra, y acuerda reparar o reemplazar, a la sola discreción de Techtronic Industries North America, Inc., cualquier producto defectuoso, sin cargo alguno al comprador, dentro de los siguientes períodos de tiempo a partir de la fecha de compra.

- Tres años si los productos se emplean para uso personal, familiar o casero;
- 30 días si el producto se emplea para cualquier otro propósito, como el uso comercial o el de alquiler.

Esta garantía se otorga solamente al comprador original al menudeo, y comienza en la fecha de la compra original al menudeo.

Cualquier parte de este producto Techtronic Industries North America, Inc. que, a juicio razonable de la compañía, tenga defectos en los materiales o en la mano de obra, será reparado o reemplazado por un centro de servicio autorizado de herramientas para uso en el exterior de la marca Ryobi®, sin cargo alguno al comprador por concepto de piezas y mano de obra (Centro de Servicio Autorizado Ryobi).

El producto, incluida toda pieza defectuosa, debe enviarse a un centro de servicio autorizado Ryobi dentro del período de la garantía. El gasto de enviar el producto al centro de servicio para cualquier trabajo cubierto por la garantía, así como el gasto de devolverlo al propietario después de la reparación, correrán por cuenta del propietario. La responsabilidad de Techtronic Industries North America, Inc. con respecto a todo reclamo se limita a las reparaciones o reemplazo del producto, y ningún reclamo de incumplimiento de la garantía será causante de la cancelación o rescisión del contrato de venta de ninguna herramienta de uso en el exterior de la marca Ryobi®. En el establecimiento se requerirá el recibo de compra para respaldar cualquier reclamo al amparo de la garantía. Todo trabajo cubierto en la garantía debe ser realizado por un concesionario de servicio autorizado.

Esta garantía se limita a treinta (30) días a partir de la fecha original de la compra de cualquier herramienta de uso en el exterior de la marca Ryobi® empleada para propósitos comerciales o de alquiler, o cualquier otro propósito generador de ingresos.

Esta garantía no cubre ningún producto que haya sido sujeto a un uso indebido, maltrato, negligencia o accidente, o que haya sido utilizado de cualquier forma contraria a las instrucciones de manejo especificadas en el manual del operador del producto. Esta garantía no aplica a ningún daño en el producto que resulte de un mantenimiento indebido ni a ningún producto que haya sido alterado o modificado. La garantía no cubre ninguna reparación necesaria por el uso normal ni por el uso de piezas o accesorios que sean incompatibles con la herramienta para uso exterior de la marca Ryobi®, o afecten de forma desfavorable su funcionamiento, desempeño o durabilidad.

Además, esta garantía no cubre:

A. Afinación – Bujías, carburador, ajustes del carburador, encendido, filtros

B. Artículos sujetos a desgaste – Perillas de tope, carretes exteriores, hilos de corte, carretes interiores, poleas del arrancador, cuerdas del arrancador, correas de transmisión, aspas, arandelas de fieltro y pasadores de enganche, hojas de triturar, ventiladores de sopladoras, tubos de sopladoras y de aspiradoras, sacos y correas de aspiradoras, barras guía y cadenas de sierras, hojas

Techtronic Industries North America, Inc. se reserva el derecho a cambiar o mejorar el diseño de cualquier herramienta para uso en el exterior de la marca Ryobi® sin asumir ninguna obligación de modificar ningún producto fabricado previamente.

TODAS LAS GARANTÍAS IMPLÍCITAS ESTÁN LIMITADAS EN DURACIÓN SEGÚN EL PERÍODO DE GARANTÍA DECLARADA. POR CONSIGUIENTE, CUALQUIER GARANTÍA IMPLÍCITA, INCLUSO LAS DE COMERCIABILIDAD, IDONEIDAD PARA UN PROPÓSITO EN PARTICULAR, O DE CUALQUIER TIPO, PIERDEN TOTALMENTE SU VALIDEZ DESPUÉS DEL VENCIMIENTO DEL PERÍODO DE GARANTÍA CORRESPONDIENTE DE TRES AÑOS O TREINTA DÍAS. DE CONFORMIDAD CON ESTA GARANTÍA, LA OBLIGACIÓN DE TECHTRONIC INDUSTRIES NORTH AMERICA, INC. SE LIMITA ESTRICTA Y EXCLUSIVAMENTE A LA REPARACIÓN O REPLAZO DE LAS PIEZAS DEFECTUOSAS, Y TECHTRONIC INDUSTRIES NORTH AMERICA, INC. NO ASUME NINGUNA OTRA OBLIGACIÓN, NI AUTORIZA A NADIE ASUMIRLA A NOMBRE DE DICHA COMPAÑÍA. ALGUNOS ESTADOS NO PERMITEN LIMITACIONES EN CUANTO A LA DURACIÓN DE UNA GARANTÍA IMPLÍCITA, POR LO CUAL ES POSIBLE QUE LA LIMITACIÓN ANTERIOR NO SE APLIQUE EN EL CASO DE USTED. TECHTRONIC INDUSTRIES NORTH AMERICA, INC. NO ASUME NINGUNA RESPONSABILIDAD POR DAÑOS DIRECTOS, INDIRECTOS O DE NINGÚN OTRO TIPO, COMO EL GASTO DE ENVIAR EL PRODUCTO A UN CENTRO DE SERVICIO AUTORIZADO RYOBI Y EL GASTO DE ENVIARLO DE ALLÍ AL PROPIETARIO, EL TIEMPO DE VIAJE DEL MECÁNICO, CARGOS TELEFÓNICOS O TELEGRÁFICOS, ALQUILER DE UN PRODUCTO SUSTITUTO DURANTE EL TIEMPO DE REALIZACIÓN DEL SERVICIO DE LA GARANTÍA, VIAJES, PÉRDIDA O DAÑOS A OBJETOS DE PROPIEDAD PERSONAL, PÉRDIDA DE INGRESOS, PÉRDIDA DEL USO DEL PRODUCTO, PÉRDIDA DE TIEMPO O INCONVENIENTES. EN ALGUNOS ESTADOS NO SE PERMITE LA EXCLUSIÓN O LIMITACIÓN DE DAÑOS DIRECTOS O INDIRECTOS, POR LO CUAL ES POSIBLE QUE LA LIMITACIÓN O EXCLUSIÓN DESCRITA ARRIBA NO SE APLIQUE EN SU CASO.

Esta garantía le confiere derechos legales específicos, y es posible que usted goce de otros derechos, los cuales pueden variar de estado a estado.

Esta garantía se aplica a todas las herramientas para uso en el exterior de la marca Ryobi® fabricadas por Techtronic Industries North America, Inc. y vendidos en Estados Unidos y Canadá.

Para encontrar el centro de servicio autorizado Ryobi más cercano a usted, llame al 1-800-860-4050.



OPERATOR'S MANUAL
MANUEL D'UTILISATION / MANUAL DEL OPERADOR
25cc 2-CYCLE STRING TRIMMERS
TAILLE-BORDURES À LIGNE 2 TEMPS DE 25 CC
RECORTADORAS DE HILO DE DOS TIMPOS 25 CC

(ALL VERSIONS / TOUTES LES VERSIONS / TODAS LAS VERSIONES)

CALIFORNIA PROPOSITION 65

⚠ WARNING:

This product, its exhaust, and other substances that may become airborne from its use may contain chemicals, including lead, known to the State of California to cause cancer, birth defects, or other reproductive harm. **Wash hands after handling.**

PROPOSITION 65 DE L'ÉTAT DE CALIFORNIE

⚠ AVERTISSEMENT :

Ce produit, les gaz d'échappement qu'il dégage et les autres substances rejetées dans l'air suite à son utilisation peuvent contenir des produits chimiques, notamment du plomb qui, selon l'État de la Californie, peuvent causer le cancer, des anomalies congénitales et d'autres dommages au système reproducteur. **Bien se laver les mains après toute manipulation.**

CALIFORNIA - PROPUESTA DE LEY NÚM. 65

⚠ ADVERTENCIA:

Este producto, su escape y otras sustancias que puedan llegar a ser aerotransportadas por su uso pueden contener sustancias químicas (incluido el plomo) reconocidas por el estado de California como causantes de cáncer, defectos congénitos y otras afecciones del aparato reproductor. **Lávese las manos después de utilizar el aparato.**

RYOBI is a registered trademark of Ryobi Limited and is used pursuant to a license granted by Ryobi Limited.

RYOBI est une marque déposée de Ryobi Limited et est utilisée en vertu d'une licence accordée par Ryobi Limited.

RYOBI es una marca registrada de Ryobi Limited y se utiliza conforme a una licencia otorgada por Ryobi Limited.

• PARTS AND SERVICE

Prior to requesting service or purchasing replacement parts, please obtain your item and serial number from the product data plate.

• ITEM NO. _____ **SERIAL NO.** _____

• HOW TO OBTAIN REPLACEMENT PARTS:

Replacement parts can be purchased online at www.ryobitools.com or by calling 1-800-860-4050. Replacement parts can also be obtained at one of our Authorized Service Centers.

• HOW TO LOCATE AN AUTHORIZED SERVICE CENTER:

Authorized Service Centers can be located online at www.ryobitools.com or by calling 1-800-860-4050.

• HOW TO OBTAIN CUSTOMER OR TECHNICAL SUPPORT:

To obtain Customer or Technical Support please contact us at 1-800-860-4050.

• • • • •

• PIÈCES ET SERVICE

Avant de faire la demande de service ou l'achat de pièces de remplacement, veuillez obtenir le numéros d'article et de série à partir de la plaque de données du produit.

• NUMÉRO D'ARTICLE _____ **NUMÉRO DE SÉRIE** _____

• COMMENT OBTENIR LES PIÈCES DE REMPLACEMENT :

Les pièces de remplacement peuvent être achetées en ligne sur le site www.ryobitools.com ou par téléphone au 1-800-860-4050. Les pièces de remplacement peuvent être obtenues à un de nos centres de service autorisés.

• COMMENT TROUVER UN CENTRE DE SERVICE AUTORISÉ :

Les centres de service autorisés peuvent être localisés en ligne au www.ryobitools.com ou en téléphonant au 1-800-860-4050.

• COMMENT OBTENIR DE L'AIDE EN CONTACTANT LE SERVICE À LA CLIENTÈLE :

Pour contacter le service à la clientèle pour une question technique ou pour tout autre renseignement, veuillez nous téléphoner au 1-800-860-4050.

• • • • •

• PIEZAS DE REPUESTO Y SERVICIO

Antes de solicitar servicio técnico o comprar piezas de repuesto, obtenga su número de artículo y número de serie de la placa de datos del producto.

• NÚMERO DE ARTÍCULO _____ **NÚMERO DE SERIE** _____

• CÓMO OBTENER PIEZAS DE REPUESTO:

Las piezas de repuesto se pueden comprar en nuestro sitio en la red mundial, en la dirección www.ryobitools.com o llamando al 1-800-860-4050. Las piezas de repuesto también se pueden obtener en uno de nuestros Centros de Servicio Autorizados.

• CÓMO LOCALIZAR UN CENTRO DE SERVICIO AUTORIZADO:

Puede encontrar los Centros de Servicio Autorizados visitando nuestro sitio en la red mundial, en la dirección www.ryobitools.com or by calling 1-800-860-4050.

• CÓMO OBTENER SERVICIO O ASISTENCIA TÉCNICA AL CONSUMIDOR:

Para obtener Servicio o Asistencia Técnica al Consumidor, sírvase comunicarse con nosotros llamando al 1-800-860-4050.

TECHTRONIC INDUSTRIES NORTH AMERICA, INC.

1428 Pearman Dairy Road, Anderson, SC 29625 USA

1-800-860-4050 • www.ryobitools.com

A subsidiary of Techtronic Industries Co., Ltd. • OTC: TTNDY