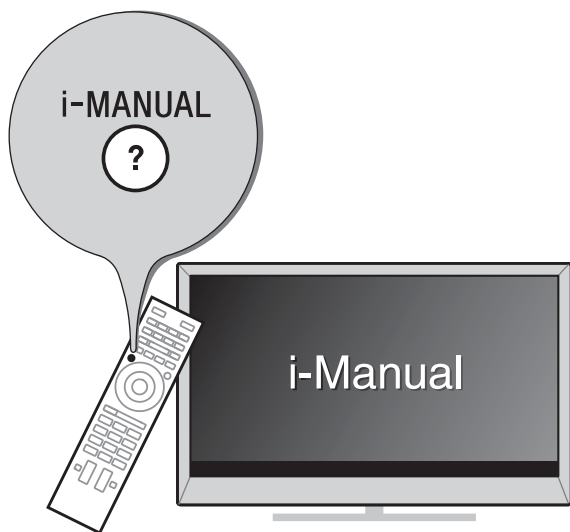


SONY®

LCD TV

Operating Instructions

(Setup Guide)



Lea este manual antes de usar el producto

Centro de Asistencia de Sony

<http://esupport.sony.com/ES/LA/>

Llame al número telefónico que aparece en su póliza de garantía.

Por favor no devuelva el producto a la tienda donde adquirió el producto.

BRAVIA

XBR-65X900A / 55X900A

Owner's Record

The model and serial numbers are located at the side and rear of the TV. Record these numbers in the spaces provided below. Refer to them whenever you call upon your Sony dealer regarding this TV.

Model Name

Serial No.

IMPORTANT NOTICE TO COFETEL

This equipment operation is subject to the following two conditions: (1) It is possible that this equipment or device may not cause harmful interference, and (2) this equipment or device must accept any interference, including interference that may cause undesired operation.

For information related to COFETEL certificate number, refer to the package label and/or product.

CAUTION

To prevent electric shock and blade exposure, do not use this polarized AC plug with an extension cord, receptacle or other outlet unless the blades can be fully inserted.

- Operate the TV only on 110-240 V AC
- Some people may experience discomfort (such as eye strain, fatigue, or nausea) while watching 3D video images or playing stereoscopic 3D games. Sony recommends that all viewers take regular breaks while watching 3D video images or playing stereoscopic 3D games. The length and frequency of necessary breaks will vary from person to person. You must decide what works best. If you experience any discomfort, you should stop watching the 3D video images or playing stereoscopic 3D games until the discomfort ends; consult a doctor if you believe necessary. You should also review (i) the instruction manual of any other device or media used with this television and (ii) our website (<http://www.sony.com/tvsupport>) for the latest information. The vision of young children (especially those

under six years old) is still under development. Consult your doctor (such as a pediatrician or eye doctor) before allowing young children to watch 3D video images or play stereoscopic 3D games. Adults should supervise young children to ensure they follow the recommendations listed above.

- Do not use, store, or leave the 3D Glasses or battery near a fire, or in places with a high temperature, e.g., in direct sunlight, or in sun-heated cars.
- When using the simulated 3D function, please note that the displayed image is modified from the original due to the conversion done by this television.


Licensing Information

The terms HDMI and HDMI High-Definition Multimedia Interface, and the HDMI Logo are trademarks or registered trademarks of HDMI Licensing LLC in the United States and other countries.

Ferguson Patent Properties, LLC:
U.S. Patent No. 5,717,422
U.S. Patent No. 6,816,141

Manufactured under license from Dolby Laboratories.

"Blu-ray Disc", "Blu-ray" and "Blu-ray Disc" logo are trademarks of Blu-ray Disc Association.

"BRAVIA" and BRAVIA, S-Force, Motionflow, BRAVIA Sync, and  are trademarks or registered marks of Sony Corporation.

DLNA[®], the DLNA Logo and DLNA CERTIFIED[®] are trademarks, service marks, or certification marks of the Digital Living Network Alliance.

TrackID is a trademark or registered trademark of Sony Mobile Communications AB.

Music and video recognition technology and related data are provided by Gracenote[®]. Gracenote is the industry standard in music recognition technology and related content delivery. For more information, please visit www.gracenote.com.

CD, DVD, Blu-ray Disc, and music and video-related data from Gracenote, Inc., copyright © 2000-present Gracenote. Gracenote Software, copyright © 2000-present Gracenote. One or more patents owned by Gracenote apply to this product and service. See the

Gracenote website for a non-exhaustive list of applicable Gracenote patents. Gracenote, MusicID, VideoID, Video Explore, the Gracenote logo and logotype, and the "Powered by Gracenote" logo are either registered trademarks or trademarks of Gracenote in the United States and/or other countries.

Opera[®] Devices SDK from Opera Software ASA. Copyright 1995-2013 Opera Software ASA. All rights reserved.

Wi-Fi, Wi-Fi Direct and Miracast are marks or registered marks of the Wi-Fi Alliance.

"Sony Entertainment Network logo" and "Sony Entertainment Network" are trademarks of Sony Corporation.

MHL, Mobile High-Definition Link and the MHL Logo are trademarks or registered trademarks of MHL Licensing, LLC.

Manufactured under license from DTS Licensing Limited. For U.S. and worldwide patent and trademark information, see www.dts.com/patents/legacy.aspx. (c) DTS Licensing Limited and DTS, Inc. 2012.

The Bluetooth[®] word mark and logos are owned by the Bluetooth SIG, Inc. and any use of such marks by Sony Corporation is under license. Other trademarks and trade names are those of their respective owners.

Color IQ and the Color IQ logo are trademarks of QD Vision, Inc.

The N Mark is a trademark or registered trademark of NFC Forum, Inc. in the United States and in other countries.



The 55 class has a 54.6 inch (138.8 cm) viewable image size and the 65 class has a 64.5 inch (163.9 cm) viewable image size (measured diagonally).



- The illustrations of the remote control used in this manual are of the RM-YD087 unless otherwise stated.
- The illustrations used in this manual may differ depending on your TV model.
- Retain this manual for future reference.

The BRAVIA® 4K TV Experience

Thank you for choosing Sony! Your new BRAVIA® TV opens the door to the "4K TV Experience". This document will help you get the most out of your TV.

Please take a moment to register your TV at: <http://esupport.sony.com/LA/perl/registration.pl>

Four Steps to a 4K TV Experience

Set, Source, Sound, and Setup.

1 Set

Now that you have made the best selection in LED backlit LCD TV technology, be sure to remove all accessory contents from the packaging before setting up your TV.

2 Source

To experience the stunning detail of your BRAVIA TV, you need access to High-Definition programming.

- Upgrade your signal or content source to high-definition (4K) by contacting your HD service provider.

This TV displays all video input signals in a resolution of 3,840 dots × 2,160 lines.

- Receive over-the-air HD broadcasts with an HD-quality antenna connected directly to the back of your TV. Visit <http://www.antennaweb.org> for more information on antenna selection and setup.
- Discover the wealth of entertainment now available on super-high resolution Blu-ray Disc™ player and other Sony HD equipment.


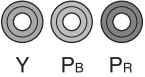



3 Sound

Complete the high-definition experience with a BRAVIA Sync™ surround sound system or A/V receiver from Sony.

4 Setup

Install your TV and connect your sources. See page 11 for sample connection diagrams. To help assure the highest quality for your 4K experience, use Sony HDMI (High-Definition Multimedia Interface) cables.

The following chart shows the high-definition (HD) and standard-definition (SD) video formats supported by your BRAVIA TV inputs.

	INPUT	VIDEO	AUDIO	SUPPORTED FORMATS							
				1080/24p/30p	1080p* ¹	1080i	720/24p/30p	720p* ¹	480p	480i	PC* ²
HD	HDMI			✓	✓	✓	✓	✓	✓	✓	✓
	COMPONENT	 Y Pb Pr	 Audio L/R		✓	✓		✓	✓	✓	
SD	VIDEO	 Composite video connection	 Audio L/R							✓	

*¹ For details of supported formats, refer to the "Specifications" in this manual.

*² For supported PC formats refer to the i-Manual.

About this manual (Operating Instructions)

This manual explains how to setup your TV. For more information on how to use BRAVIA TV, refer to the “Electronic manual”.

Operating Instructions

Explains how to setup your TV such as connections, initial setup, and basic operations.

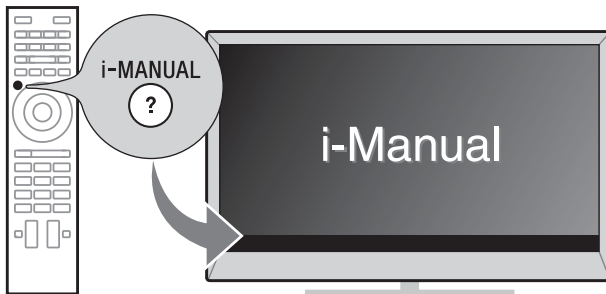


For more information, press the **i-MANUAL** button



Electronic manual (i-Manual)

Explains how to use all the features. See page 29 on how to use the i-Manual.



Images and illustrations used in this manual may differ from the actual screen.

Table of Contents

Getting Started

Checking the accessories.....	8
Inserting batteries into the remote control.....	8
Before setting up your TV.....	9
1: Attaching the Table-Top Stand	10
2: Connecting the TV.....	11
3: Securing the TV.....	17
4: Bundling the cables	19
5: Connecting the TV to the Internet.....	20
6: Running initial setup.....	21
Using a Wall-Mount Bracket.....	22
Installing the TV against a wall or enclosed area.....	23

Using Your BRAVIA TV

Watching TV ▶.....	24
Selecting various functions and settings (Home Menu).....	26
Watching Internet Video.....	28

Looking for Instructions

Looking for instructions in the electronic manual (i-Manual) ▶ ...	29
---	-----------

Additional Information

Troubleshooting.....	32
How to care for your BRAVIA TV.....	33
Specifications	34
Additional Information	36

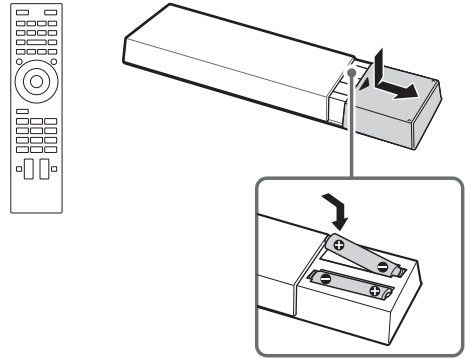
Checking the accessories

- Remote control (1)^{*1}
- One-touch Remote Control (1)^{*1}
- Size AAA batteries (4)
- Under cover (1)
- Cable clamber (1)
- Table-Top Stand (1)^{*2}
- Fixing screws for Table-Top Stand (M5 × 12) (4)
- Passive 3D Glasses (4)
- Operating Instructions (this manual) and other documents

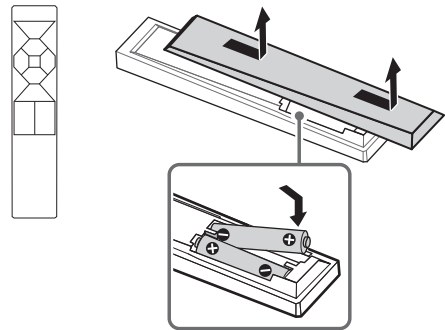
*1 See the specification table at the end of this manual.

*2 Assembling the Table-Top Stand is required. Refer to the supplied Table-Top Stand leaflet to assemble the Table-Top Stand.

Inserting batteries into the remote control



- 1 Remove the protection sheet.
- 2 Push and slide the cover to open.



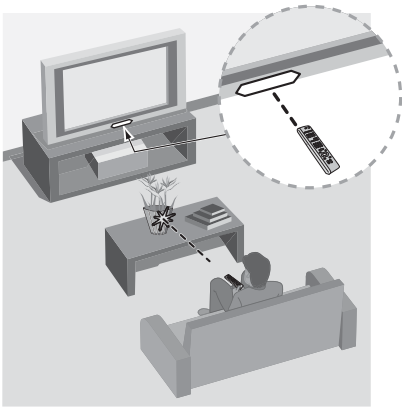
- 1 Remove the protection sheet.
- 2 Push and slide the cover to open.



- One-touch Remote Control can only be used after registration with the TV. For more information on how to register, press **i-MANUAL**, then select “Table of Contents” → “Configuring Various Settings” → “General Settings” → “Setting One-touch Remote Control”.

■ Guidelines for Remote Control

- Point your remote control directly at the IR sensor located on your TV.
- Make sure that no objects are blocking the path between the remote control and the IR sensor on your TV.



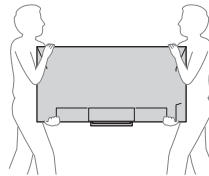
- Fluorescent lamps can interfere with your remote control; try turning off the fluorescent lamps.
- If you are having problems with the remote control, reinsert or replace your batteries and make sure that they are correctly inserted.

Before setting up your TV

Some TV models are packaged with a detached Table-Top Stand so you can mount your TV to a wall right away. See page 22 (Using a Wall-Mount Bracket) if you want to mount the TV to a wall. If you are not mounting the TV to a wall, you will need to attach the Table-Top Stand. You will need a Phillips screwdriver (not supplied) and the supplied screws to complete the task. Look for the supplied Table-Top Stand instruction leaflet.

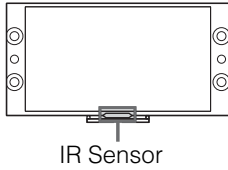
Be sure to consider the following while setting up your TV:

- Disconnect all cables when carrying the TV.
- Carry the TV with the adequate number of people; larger size TVs require two or more people.
- Correct hand placement while carrying the TV is very important for safety and to avoid damage.



- Ensure your TV has adequate ventilation, see page 23.
- For best picture quality, do not expose the screen to direct illumination or sunlight.
- Avoid installing the TV in a room with reflective wall and floor materials.
- Avoid moving the TV from a cold area to a warm area. Sudden room temperature changes may cause moisture condensation. This may cause the TV to show poor picture and/or poor color. Should this occur, allow moisture to evaporate completely before powering the TV on.

- Ensure that there are no objects in front of the TV.



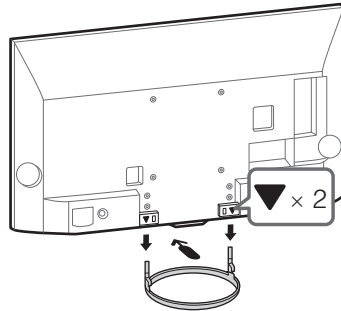
1: Attaching the Table-Top Stand


Refer to the supplied Table-Top Stand leaflet for proper attachment.




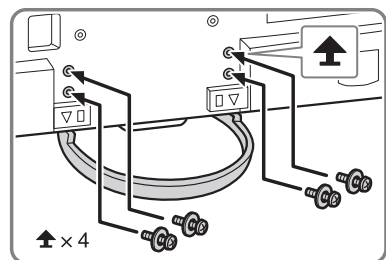
- Do not put stress on the LCD panel or the frame around the screen.
- Be careful to not pinch your hands or the AC power cord when you install the TV set to the Table-Top Stand.

1 Place the TV set on the Table-Top Stand.



 Arrow direction shows front of the Table-Top Stand.

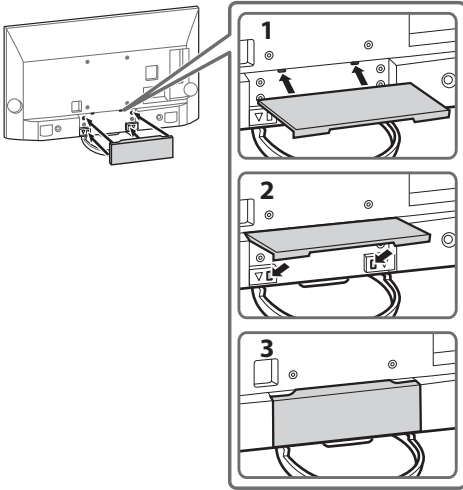
2 Fix the TV to the Table-Top Stand using the supplied screws. The arrow marks  indicate the location of the screw holes used for securing the Table-Top Stand.





- If using an electric screwdriver, set the torque at approximately 1.5 N·m {15 kgf·cm}.

3 Attach the under cover.



Detaching the Table-Top Stand from the TV

To detach the Table-Top Stand from the TV, remove the screws  fixed in step 2.



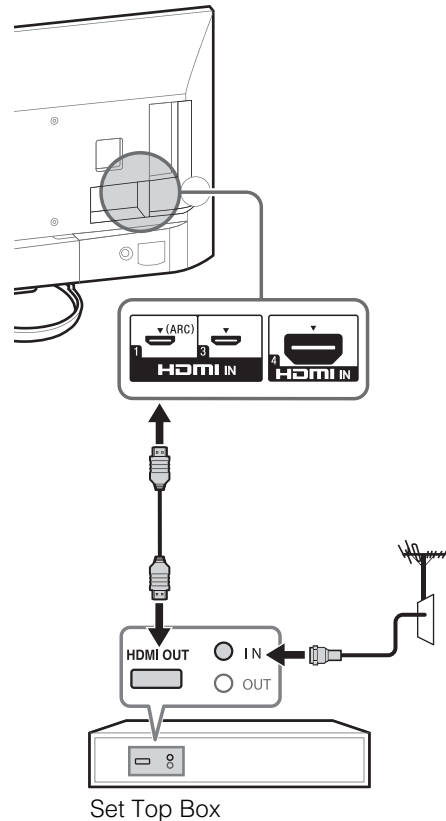
- Do not remove the Table-Top Stand for any reason other than to install corresponding accessories on the TV.
- Be sure the TV is vertical before turning on. To avoid uneven picture uniformity do not power on the TV with the LCD panel facing down.
- When installing the TV on a wall, remove the screws from the rear of the TV. Be sure to store the removed screws in a safe place, keeping them away from children.
- When attaching the Table-Top Stand again, be sure to fasten the screws (previously removed) to the original holes on the rear of the TV.

2: Connecting the TV



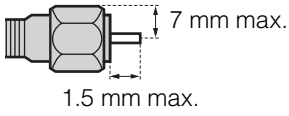
- Use an antenna cable connector no greater than 14 mm thick.
- Use an HDMI cable connector within 12 mm (thickness) × 21 mm (width).
- Use Sony HDMI cable with “High Speed” indication for HDMI connection.
- For more information on connections, refer to the i-Manual.

■ Shown with a Set Top Box with HDMI connection



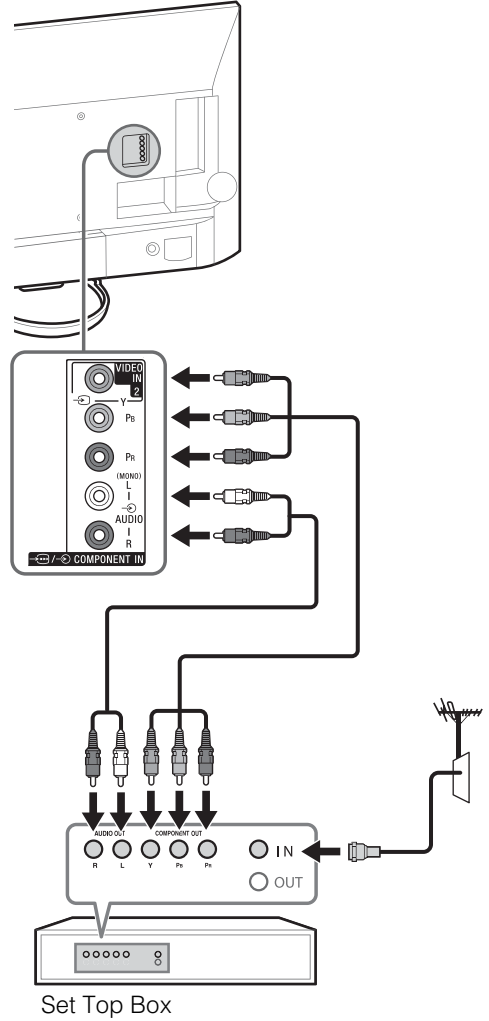
Recommendation of the F type plug

Projection of the inner wire from the connection part must be less than 1.5 mm.

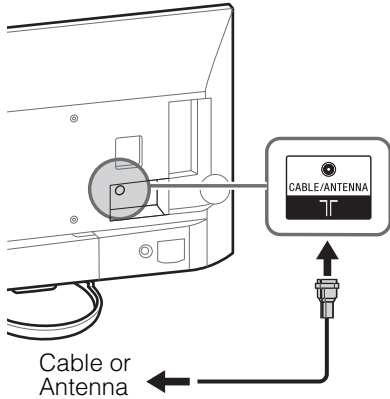


(Reference drawing of the F type plug)

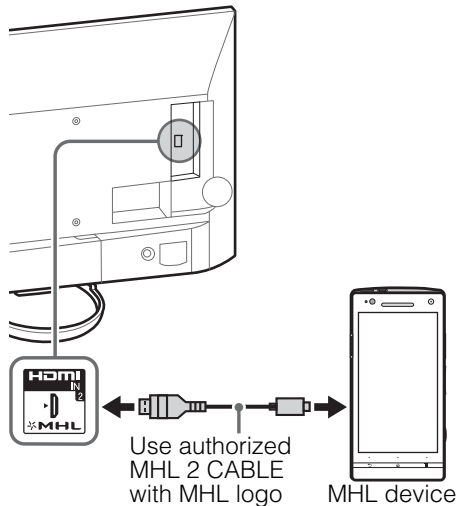
■ Shown with a Set Top Box with COMPONENT connection



■ Cable System or VHF/UHF Antenna System



■ Shown with MHL device with MHL connection

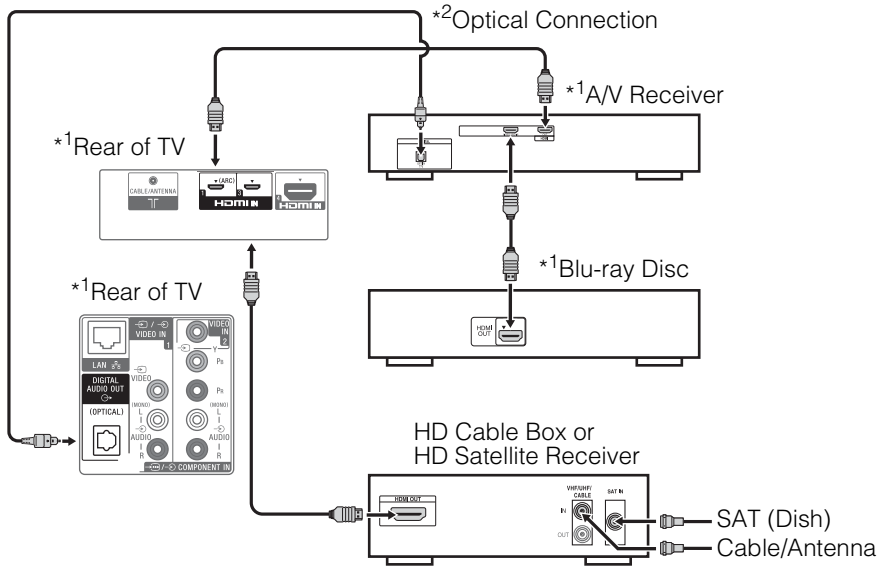


The MHL (Mobile High-Definition Link) enables the TV to communicate with a connected MHL-compatible device. The TV can charge the connected MHL-compatible device while playing photo/music/video from it. You can use the TV remote control to control the connected MHL-compatible device.



- If **Auto Input Change (MHL)** is set to **On**, the TV automatically switches to HDMI IN 2/MHL from other input when MHL-compatible device is connected to HDMI IN 2/MHL jack. The availability of **Auto Input Change (MHL)** depends on whether the MHL-compatible device can support this feature.
- You can continue normal usage of the connected MHL-compatible device (such as receiving calls) depending on its capability.
- Some remote control functions may not be available depending on features of the connected MHL-compatible device. Please refer to the device manual for details.
- If **Charge MHL during Power Off** is set to **On**, you can continue charging the MHL-compatible device even when the TV is in standby mode.
- This product is officially MHL-certified for operation with other MHL-certified devices. If you encounter any problems when using the MHL function, please consult the device manufacturer for support.

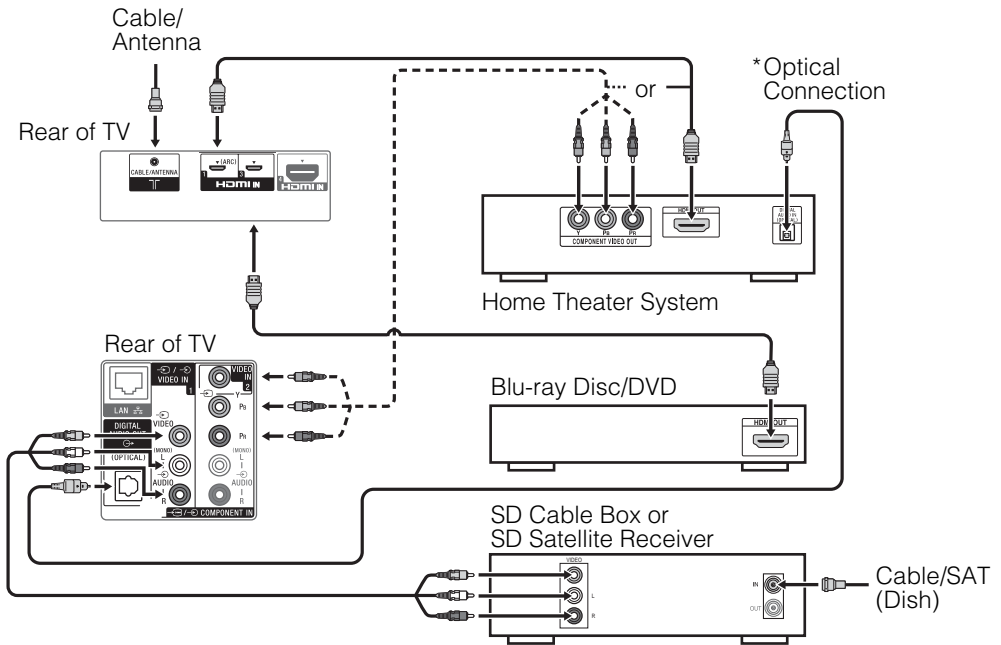
■ Shown with BRAVIA® Sync™ Basic Connection



*1 Signifies a BRAVIA Sync capable device.

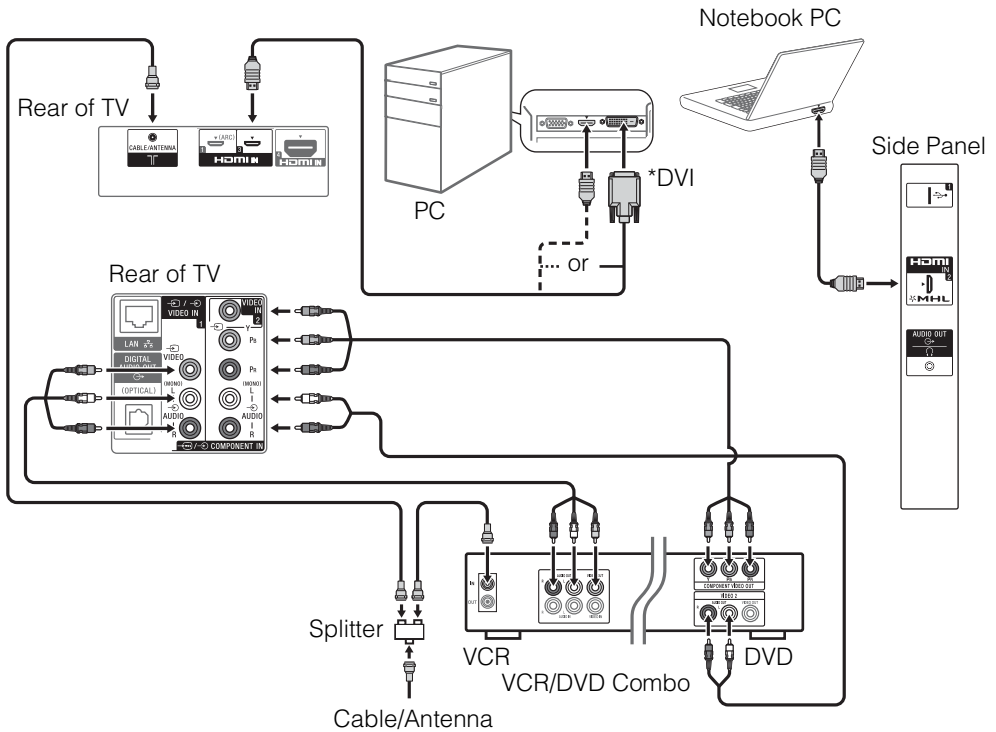
*2 The optical connection is only needed for A/V receivers that do not support ARC (Audio Return Channel).

■ Shown with Basic Connection with Home Theater System



* The optical connection is only needed for home theater system that do not support ARC (Audio Return Channel) when connecting with HDMI.

■ Shown with PC Connection with SD VCR/DVD



* DVI does not support audio signals. Connect the audio output of the PC to the PC speakers or an A/V receiver to listen to sound from the PC.

3: Securing the TV



Sony strongly recommends taking measures to prevent the TV from toppling over. Unsecured TVs may topple and result in property damage, serious bodily injury or even death.

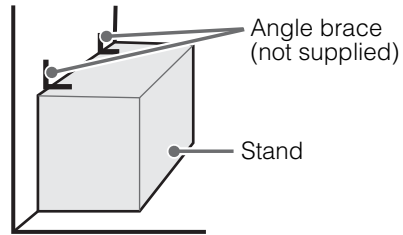
Preventing the TV from Toppling

- Secure the TV to a wall and/or stand.
- Do not allow children to play or climb on furniture and TV sets.
- Avoid placing or hanging items on the TV.
- Never install the TV on:
 - slippery, unstable and/or uneven surfaces.
 - furniture that can easily be used as steps, such as a chest of drawers.
- Install the TV where it cannot be pulled, pushed, or knocked over.
- Route all AC power cords and connecting cables so that they are not accessible to curious children.

Recommended Measures to Secure the TV

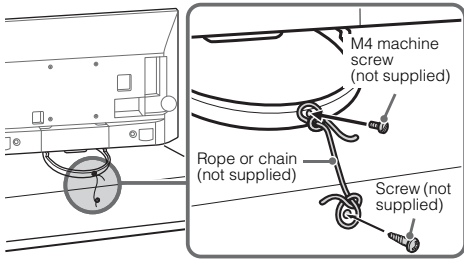
Consider the following measures when securing your TV to a Stand (not supplied).

- 1** Secure the Stand for the TV.
Make sure the Stand can adequately support the weight of the TV. Use two angle braces (not supplied) to secure the stand. For each angle brace use the appropriate hardware to:
 - Attach one side of the angle brace to the wall stud.
 - Attach the other side to the Stand.

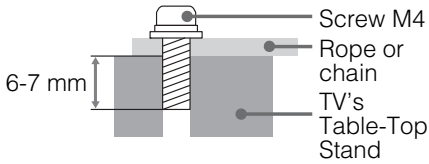


- 2** Secure the TV to the Stand.
Use the optional hardware listed as follows (not supplied):
 - M4 machine screw (screwed into the TV's Table-Top Stand)
 - A screw or similar (attach it to the Stand)
 - Rope or chain (strong enough to support the weight of the TV). Make sure that there is no excess slack in the rope or chain.

An alternative way to secure the TV is with an optional Sony Support Belt Kit. The Sony Support Belt Kit is available as an optional accessory, depending on your TV model.



The length of the M4 machine screw differs depending on the rope or chain diameter. Please see below illustration.

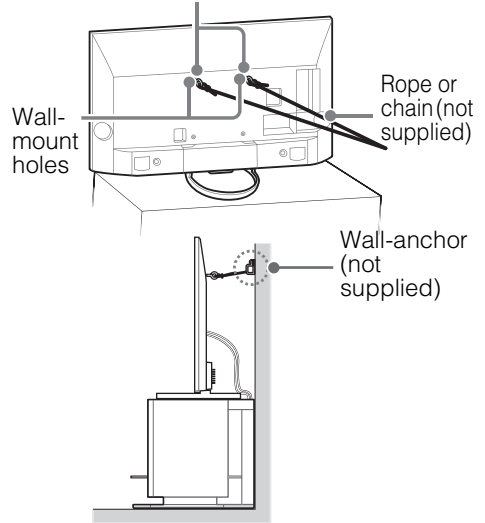


Contact Sony Customer Support to obtain the optional Support Belt Kit by providing your TV model name.

- For Mexico call: 01-800-759-7669

- 3** Anchor the TV to the Wall.
Anchor the TV to the wall by using bolts, wall anchor and chain (or rope).

Anchor bolts (M6) (not supplied)



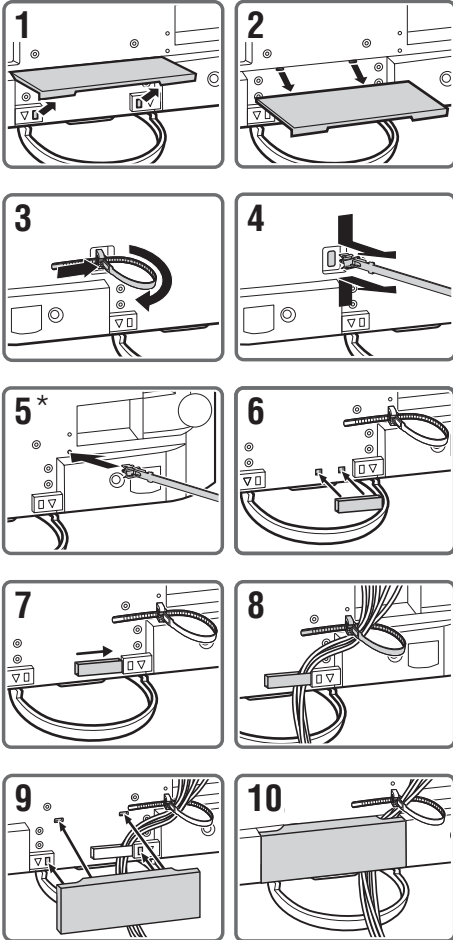
- Your TV is shipped with screws attached to the rear of the TV depending on the TV model. (They are fastened in the screw holes for wall mounting.) Be sure to remove the upper two screws prior to anchoring the TV to a wall.
- Securing the TV to the stand without securing the TV and the stand to the wall provides minimum protection against the TV toppling over. For further protection, be sure to follow the three measures recommended.

4: Bundling the cables

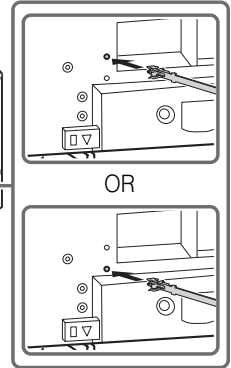
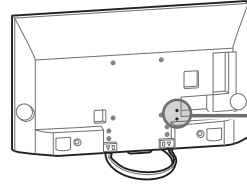
Before bundling the cables, remove the cable holder from the AC cover. Reuse the cable holder to bundle the other cables.



- Do not bundle the AC power cord together with other cables.



* When installing on the wall, attach the cable holder under the terminals.



Getting Started

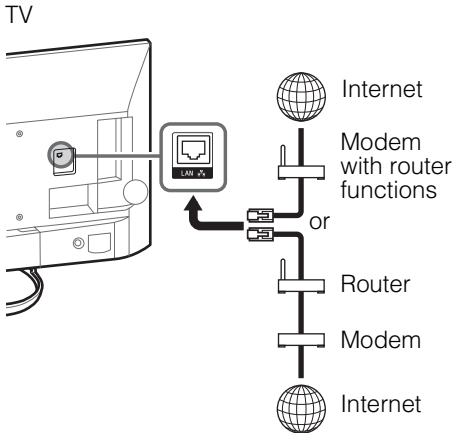
5: Connecting the TV to the Internet

When you connect this TV to the Internet, you can enjoy multiple functions. For details on the functions, refer to the i-Manual.



- You will need to contract with an Internet service provider to connect to the Internet.

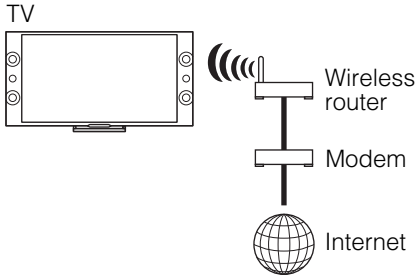
Preparing a wired network



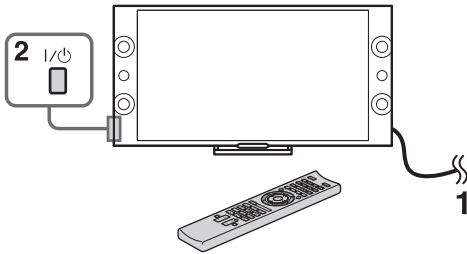
- For LAN connections, use a Category 7 cable (not supplied).

Preparing a wireless LAN

The built-in wireless LAN device allows you to access the Internet and your home network. With this feature, you can connect to a wireless LAN and enjoy the benefits of networking in a cable-free environment. Before setting up the wireless LAN function of the TV, be sure to set up a wireless LAN router.



6: Running initial setup

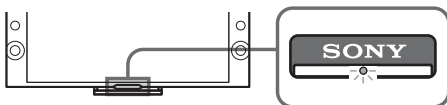


1 Complete your cable connections before proceeding with the **Initial Setup**. Connect the TV to your nearest power outlet.

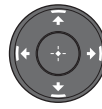
2 Press **I/⏻** on the TV. The illumination LED will light up in white. When you switch on the TV for the first time, the Language menu appears on the screen.



- When you turn on the TV for the first time, the TV requires some internal processing for optimization before you can perform the initial setup. There will be no picture and sound, and the illumination LED on the front of the TV blinks white for about 40 seconds. Do not turn off the TV during this process. This process has been completed at the factory for some TVs.
- The illumination LED lights up in different colors according to the status of the TV. If you do not wish to light up the illumination LED, you can turn it off later. Press **HOME**, then select **Settings** → **Preferences** → **Front Panel Illumination** → **Illumination LED** → **Off**. You can also press **OPTIONS**, then select **Illumination LED** → **Off**.



3 Press **↑/↓/←/→** to select an item, then press **+**. Follow the instructions on the screen.



- **Home** mode sets the TV to settings optimized for home viewing.

4 Scan for available channels. If you receive channels from a cable box or satellite receiver and do not wish to use the TV's built-in tuner, select **Skip**.

5 Set up the Internet settings. If you do not access the Internet, or to set up later, select **Skip**. After you select **Continue** or **Start** (depending on model) at the Internet setup confirmation screen, select **Auto** to connect to the network automatically. Select **Custom** to connect manually.



- If you use WEP security, select **Custom** → **Wireless Setup** → **Scan**. Then, select the network name (SSID) you want to connect. If you cannot find the required network name, select **[Manual Entry]** and press **+** to enter network name.
- To set **Network Setup** later, press **HOME**, then select **Settings** → **Network** → **Network Setup**.
- Use the optional USB Wireless LAN Adapter to connect with your wireless router (or access point) at 5GHz. Insert USB Wireless LAN Adapter and set **Wi-Fi Direct** to **Off**. Press **HOME**, then select **Settings** → **Network** → **Wi-Fi Direct** → **Off**.

Using a Wall-Mount Bracket

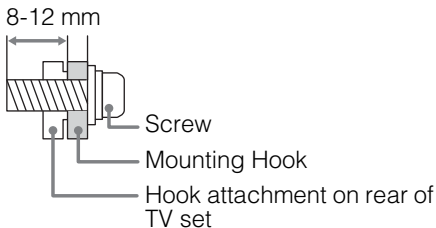
Your TV can be mounted on a wall using a Wall-Mount Bracket (not supplied) out of the box as packaged. If the Table-Top Stand is attached to the TV, the TV may require detaching the Table-Top Stand; see page 11 (Detaching the Table-Top Stand from the TV).

Prepare the TV for the Wall-Mount Bracket before making cable connections.

For product protection and safety reasons, Sony strongly recommends that you use the Wall-Mount Bracket designed for your TV and the installation should be performed by a Sony dealer or licensed contractor.

- See page 36 (Compatible Wall-Mount Bracket Information) (XBR-55X900A only).
- Follow the instruction guide provided with the Wall-Mount Bracket for your model. Sufficient expertise is required in installing this TV, especially to determine the strength of the wall for withstanding the TV's weight.
- Be sure to use the screws supplied with the Wall-Mount Bracket when attaching the mounting hooks to the TV set. The supplied screws are designed as indicated by illustration when measured from the attaching surface of the mounting hook.

The diameter and length of the screws differ depending on the Wall-Mount Bracket model. Use of screws other than those supplied may result in internal damage to the TV set or cause it to fall, etc.



- Be sure to store the unused screws and Table-Top Stand in a safe place until you are ready to attach the Table-Top Stand. Keep the screws away from small children.

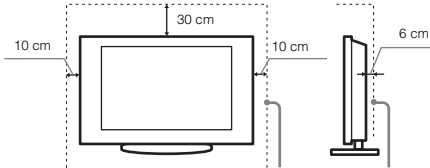


- Read the supplied Safety Booklet for additional safety information.

Installing the TV against a wall or enclosed area

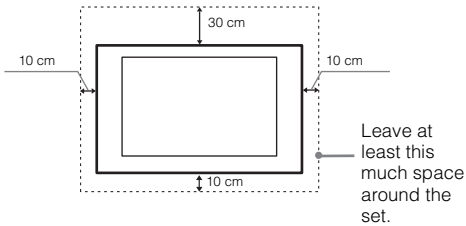
Make sure that your TV has adequate ventilation. Allow enough space around the TV as shown in the illustration.

Installed with stand



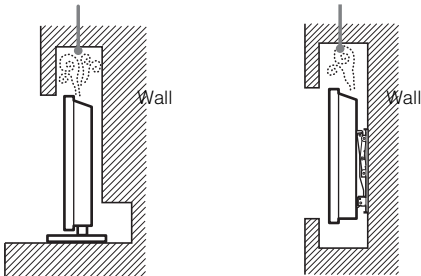
Leave at least this much space around the set.

Installed on the wall



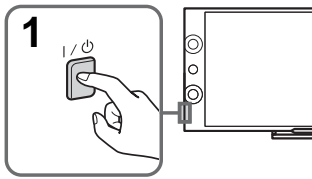
Never install the TV set as follows:

Air circulation is blocked. Air circulation is blocked.



- Inadequate ventilation can lead to overheating of the TV and may cause damage to your TV or cause a fire.

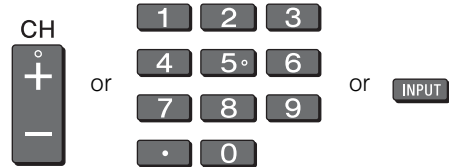
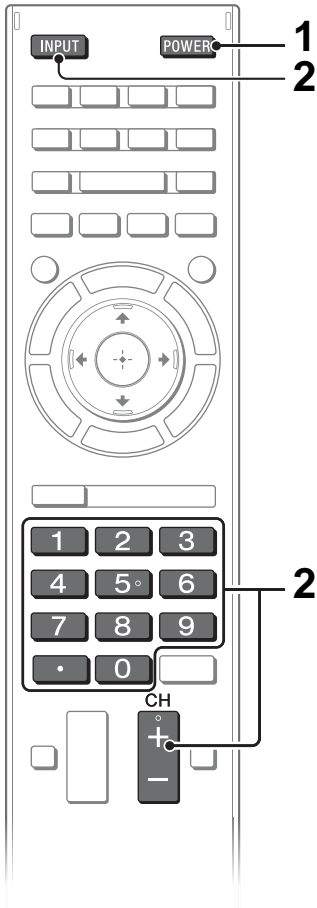
Watching TV



1 Turn on the TV.

Press **I/⏻** on the TV or **POWER** on the remote control to turn on the TV.

2 Select a TV channel or select an input.



■ To select digital channels

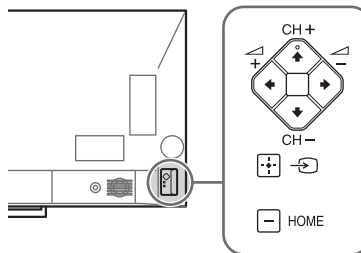
Use **0-9** and **•** . For example, to enter channel 2.1:

Press **2** , **•** and **1** , then press **⊕** .



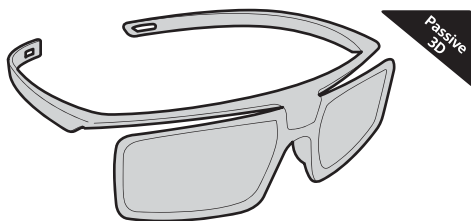
- See below illustration for location of the **CH+/-**, **⏪+/-**, **⏩+/-**, **⏹**, **⏮** and **HOME** buttons on the TV.

Rear of TV

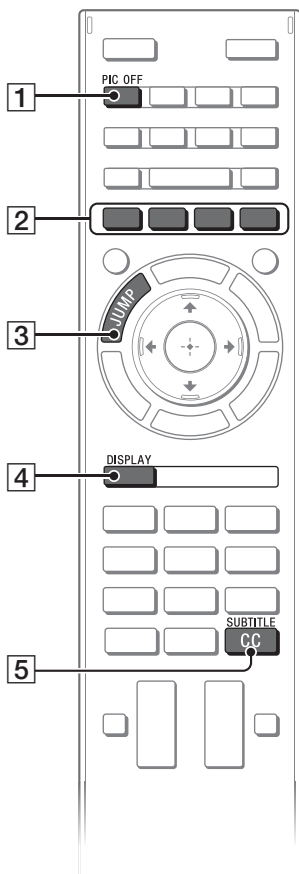


Watching 3D contents

This feature lets you experience powerful 3D entertainment, such as stereoscopic 3D games and 3D Blu-ray Disc. Refer to the i-Manual on how to set the 3D settings or watch the 3D contents.



Frequently used buttons



1 PIC OFF

Turns picture off, and sound remains on.

2 Color buttons

When the color buttons are available, an operation guide appears on the screen.

3 JUMP

You can jump back and forth between two channels or inputs. The TV alternates between the current channel or input and the last channel or input that was selected.

4 DISPLAY

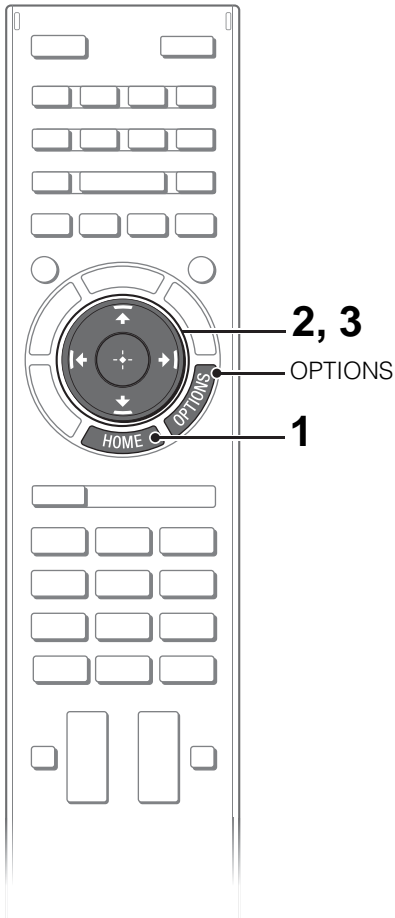
Displays channel number, details of programs, and the clock.

5 SUBTITLE/CC

You can turn closed captions/subtitles on/off.

Selecting various functions and settings (Home Menu)

You can select the features of your TV from the Home menu.



Here is an example on how to select an item and modify the TV settings.

1 Press HOME.



2 Press \uparrow/\downarrow to select Settings category.

The contents of **Settings** are displayed horizontally.



See page 27 (Category list) for all categories.

3 Press \leftarrow/\rightarrow to select a desired setting item, then press \oplus .

4 Modify the settings.

■ To exit the Home menu

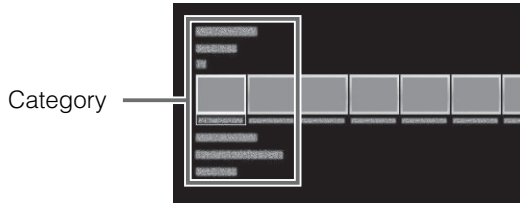
Press **HOME**.

■ To select using the **OPTIONS** button

Press **OPTIONS**.

A list of convenient functions and menu shortcuts are displayed. The menu items vary based on the current input and/or content.

Category list

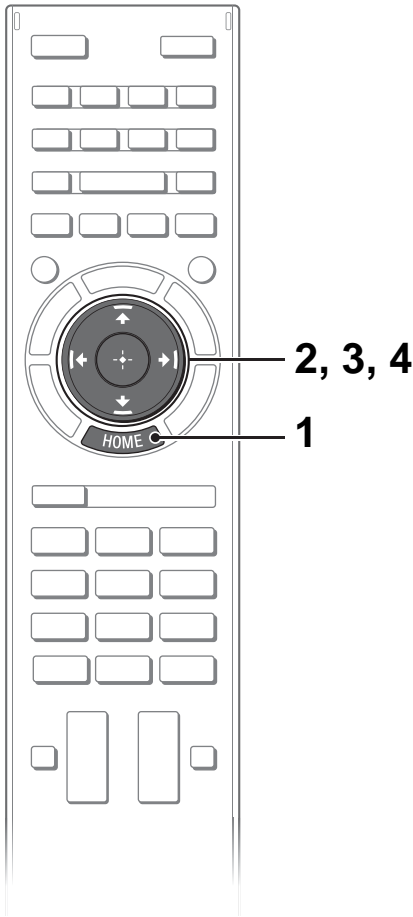


The categories are available depending on your TV model, region and country.

Featured	Provides information on available applications and content. If there is no network connection, or the Featured Display setting is set to Off , the Featured category will not be displayed.
History	Displays recently viewed items.
TV	Allows you to select a list of TV channels, or a program guide. Program guide is available depending on your TV model or region. A list of channels registered as favorites in the TV category are displayed.
Applications	Launches applications that require an Internet connection, including Media Player which does not require an Internet connection. A list of applications registered as favorites in the Applications category are displayed.
Connected Devices	Enables selection of devices connected to the TV.
Settings	Provides settings (e.g. picture settings, sound settings, key tone setting) that allow you to customize your TV.

Watching Internet Video

This feature serves as a gateway to Internet content, delivering a variety of on-demand entertainment straight to your TV. You can enjoy video content, including movies and cartoons. You will need to make a broadband Internet connection. For details, see page 20 (5: Connecting the TV to the Internet).



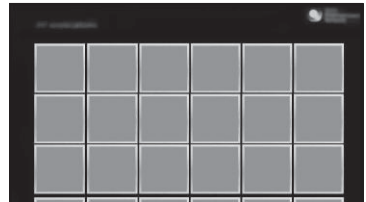
1 Press HOME.



2 Press \uparrow/\downarrow to select Applications category.

3 Press \leftarrow/\rightarrow to select All Applications, then press \oplus .

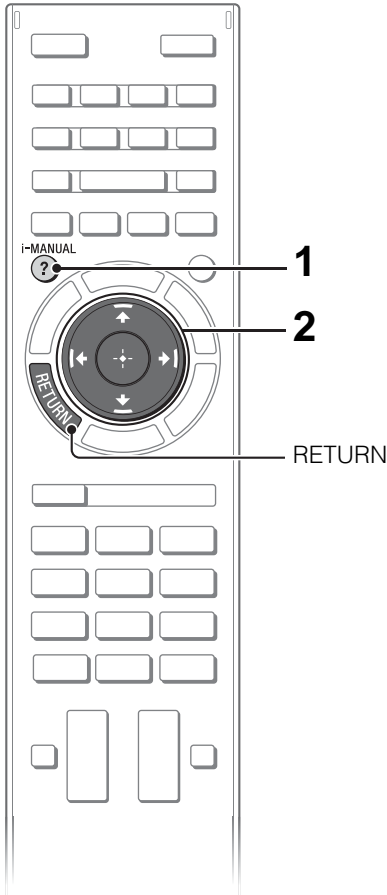
4 Press $\uparrow/\downarrow/\leftarrow/\rightarrow$ to select the desired service, then press \oplus .



- If you experience difficulties with this feature, check that the Internet connection is set up properly.
- The interface to Internet content depends on the Internet content providers.
- Services block video content based on the **Parental Lock** setting of the TV. Some service providers do not support this function.
- To update Internet Video content services, press **HOME**, then select **Settings** \rightarrow **Network** \rightarrow **Refresh Internet Content**.

Looking for instructions in the electronic manual (i-Manual)

Operating instructions are built into your BRAVIA TV and can be displayed on the screen. To learn more about your TV features, access your i-Manual with the touch of a button.

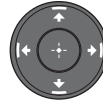


1 Press i-MANUAL.

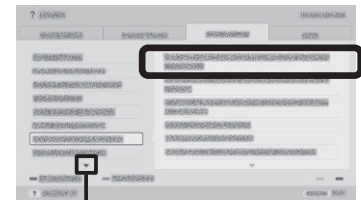
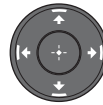


2 Select an item.

1 Press \leftarrow/\rightarrow to select an item.



2 Press $\uparrow/\downarrow/\leftarrow/\rightarrow$ to select an item, then press \oplus .



Arrow mark*

* If an arrow mark appears, press \downarrow repeatedly to display more items.

The page of the selected item appears.



- If your TV is connected to the Internet, you can check for latest FAQ (Frequently Asked Questions). Refer to “Troubleshooting” in the i-Manual, select “Frequently Asked Questions” and then follow the instructions on the screen. (Available in English and for United States only)
- You can step through pages using ◀/▶. Press **RETURN** to return to the previous page.

Saving frequently viewed pages (Bookmark)

You can save frequently viewed pages for easy access anytime.

■ To save a page

In the page to bookmark, press the red button on the remote control.



■ To access the bookmarked page

When displaying the i-Manual, press the blue button on the remote control to display the bookmark list. Press ▲/▼ to select the desired item, then press ⊕.



- To return to the previous screen, press **RETURN**.

■ To remove a bookmark

When the bookmarked page is displayed, press the red button on the remote control.

Displaying the page again while operating the TV

You can switch between the i-Manual screen and the TV screen. This feature allows you to refer to the instructions in the i-Manual while using your BRAVIA TV. Press **i-MANUAL** to switch between the i-Manual screen previously displayed and the TV screen.



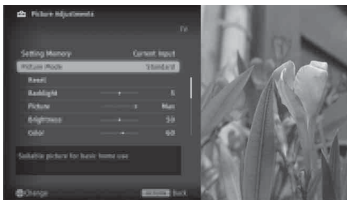
i-Manual screen previously displayed



i-MANUAL




BRAVIA TV screen



- To jump to the top page of i-Manual, press the yellow button on the remote control. You can also press **HOME**, then select **Settings** → **i-Manual** to jump to the top page of i-Manual.
- Once you turn off the TV or the TV goes to standby mode, the i-Manual will be displayed from the top page when you select **i-Manual**.

Troubleshooting

When the illumination LED is flashing in red, count how many times it flashes (interval time is three seconds).

Press **I/⏻** on the TV to turn it off, disconnect the AC power cord, and contact Sony Customer Support (information provided on the front cover) with how many times the indicator flashes.

When the illumination LED is not flashing, check the items in the table below.

Also refer to “Troubleshooting” in the i-Manual. If the problem persists, contact Sony Customer Support (information provided on the front cover).

Condition	Explanation/Solution
There is no picture (screen is dark) and no sound.	<ul style="list-style-type: none">• Check the antenna/cable connection.• Connect the TV to the AC power, and press I/⏻ on the TV or POWER on the remote control.
Some programs cannot be tuned.	<ul style="list-style-type: none">• Check the antenna.
The remote control does not function.	<ul style="list-style-type: none">• Replace the batteries.• Your TV may be in SYNC mode. Press SYNC MENU, select TV Control and then select Home (Menu) or Options to control the TV.
The Parental Lock password has been forgotten.	<ul style="list-style-type: none">• Enter 4357 for the PIN code. (PIN code 4357 is always accepted.)
The TV and its surrounding become warm.	<ul style="list-style-type: none">• When the TV is used for an extended period of time, the TV and its surroundings may become warm to touch. This is not a malfunction of the TV.
How to reset the TV to factory settings	<ul style="list-style-type: none">• Turn on the TV. While holding down ▲ on the remote control, press I/⏻ on the TV. (The TV will turn itself off, then back on again.) Release ▲. WARNING: The reset will clear all of your customized settings including the Parental Lock setting.
Frozen audio or video, a blank screen, or the TV does not respond to TV or remote control buttons.	<ul style="list-style-type: none">• Perform a simple reset of the TV by unplugging the AC power cord for two minutes, then plug it in again.



When viewing photo files in 4K resolution:

- The menu screen, operation guide or messages may not appear when displaying photos.
- To finish playback of photos, press **RETURN**, or switch the input by pressing **INPUT**.

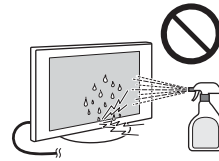
How to care for your BRAVIA TV

Safety is very important. Please read and follow the safety documentation (Safety Booklet) separately provided.




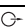


Unplug the TV and other connected equipment from the wall outlet before you begin cleaning your TV.


- Wipe the LCD screen gently with a soft cloth.
- Do not handle the speakers with excessive force during cleaning or maintenance to prevent any damages.
- Stubborn stains may be removed with a cloth slightly moistened with a solution of mild soap and warm water.
- If using a chemically pretreated cloth, please follow the instruction provided on the package.
- Never spray water or detergent directly on the TV set. It may drip to the bottom of the screen or exterior parts and enter the TV set, and may cause damage to the TV set.
- Never use strong solvents such as a thinner, alcohol or benzene for cleaning.
- Do not plug in the TV into the wall outlet until the moisture from cleaning has evaporated.

The TV should also be placed on a stable surface to prevent it from toppling over (see page 17). If you have young children or pets at home, check regularly to ensure the TV is securely fastened.



Specifications

System	
Television system	NTSC: American TV standard ATSC (8VSB terrestrial): ATSC compliant 8VSB QAM on cable: ANSI/SCTE 07 2000 (Does not include CableCARD functionality)
Channel coverage	Analog terrestrial: 2 - 69 / Digital terrestrial: 2 - 69 Analog Cable: 1 - 135 / Digital Cable: 1 - 135
Panel system	LCD (Liquid Crystal Display) Panel
Speaker output	12.5 W + 12.5 W + 20 W + 20 W
Input/Output jacks	
CABLE/ANTENNA	75-ohm external terminal for RF inputs
 VIDEO IN 1	Video / Audio input (phono jacks)
 COMPONENT IN	YPbPr (Component Video): 1080p (60 Hz), 1080i (60 Hz), 720p (60 Hz), 480p, 480i Audio input (phono jacks) Video input (common phono pin with Y input)
 VIDEO IN 2	
HDMI IN 1/2/3/4 (Support 4K resolution)	Video (2D): 4096 x 2160p (24 Hz), 3840 x 2160p (24, 25, 30 Hz), 1080p (30, 60 Hz), 1080/24p, 1080i (60 Hz), 720p (30, 60 Hz), 720/24p, 480p, 480i, PC Formats Video (3D): Frame Packing 1080p (30 Hz), 1080/24p, 1080i (60 Hz), 720p (30, 60 Hz), 720/24p Side-by-Side 1080p (60 Hz), 1080/24p, 1080i (60 Hz), 720p (60 Hz) Over-Under 1080p (30, 60 Hz), 1080/24p, 1080i (60 Hz), 720p (60 Hz) Audio: Two channel linear PCM: 32, 44.1 and 48 kHz, 16, 20 and 24 bits, Dolby Digital ARC (Audio Return Channel) (HDMI IN 1 only)
MHL (common with HDMI IN 2)	Video (2D): 1080p (30 Hz), 1080/24p, 1080i (60 Hz), 720p (30, 60 Hz), 720/24p, 480p, 480i Video (3D): Side-by-Side 1080/24p, 1080i (60 Hz), 720p (60 Hz) Over-Under 1080p (30 Hz), 1080/24p, 1080i (60 Hz), 720p (60 Hz) Audio: Two channel linear PCM: 32, 44.1 and 48 kHz, 16, 20 and 24 bits, Dolby Digital
 AUDIO OUT/Headphones	Stereo mini jack
 DIGITAL AUDIO OUT (OPTICAL)	Digital optical jack (Two channel linear PCM, Dolby Digital)
 LAN	10BASE-T/100BASE-TX connector (Connection speed may differ depending on the network environment. 10BASE-T/100BASE-TX communication rate and communication quality are not guaranteed for this TV.)
USB/DLNA	Refer to the i-Manual for supported formats.

Others	
Supplied accessories	See page 8 (Checking the accessories).
Remote control	
Model	RM-YD087 RMF-YD001
Power requirement	3 V DC (2 batteries type AAA)
Passive 3D Glasses	TDG-500P
Optional accessories	Connecting cables Support Belt Kit Wall-Mount Bracket: SU-WL400 (XBR-55X900A only) Camera and Microphone Unit: CMU-BR200/CMU-BR100 USB Wireless LAN Adapter: UWA-BR100 Passive 3D Glasses: TDG-500P  SimulView™ Passive Glasses: TDG-SV5P
Operating temperature	0 °C – 40 °C

Model name XBR-		65X900A	55X900A
Power and others			
Power requirement		110-240 V AC, 50/60 Hz	
Power consumption	in use	338 W	268 W
	in standby	Less than 0.20 W with 120 V AC and less than 0.40 W with 240 V AC	
Screen size* (inches measured diagonally)		(cm) 163.9 64.5 inches (65 class)	138.8 54.6 inches (55 class)
Display resolution		3,840 dots (horizontal) × 2,160 lines (vertical)	
Dimensions*	with stand (mm)	1,682 × 903 × 405	1,463 × 778 × 405
	without stand (mm)	1,682 × 875 × 100	1,463 × 749 × 100
	wall-mount hole pattern (mm)	400 × 300	300 × 300
	wall-mount screw size (mm)	M6 (length: see diagram on page 22.)	
Mass*	with stand (kg)	46.4	34.5
	without stand (kg)	45.0	33.1

* Screen size, dimensions and mass are approximate values.

- Optional accessories availability depends on countries/region/TV model/stock. Design and specifications are subject to change without notice.

Additional Information

Note

This television includes a QAM demodulator which should allow you to receive unscrambled digital cable television programming via subscription service to a cable service provider. Availability of digital cable television programming in your area depends on the type of programming and signal provided by your cable service provider.

Compatible Wall-Mount Bracket Information (XBR-55X900A only)

Use the following Sony Wall-Mount Bracket with your TV model.

	Sony TV Model No.
	XBR-55X900A
Sony Wall-Mount Bracket Model No.	SU-WL400

Use with other Wall-Mount Brackets* may cause instability and could result in property damage or injury.

* For instructions on using the Wall-Mount Bracket with your TV please go to <http://esupport.sony.com/LA/> for your TV model and download "Additional Information for Using Sony Wall-Mount Bracket".

To Customers

Sufficient expertise is required for TV installations. Be sure to subcontract the installation to a Sony dealer or licensed contractor and pay adequate attention to safety during the installation.

For Your Convenience

Online Registration:	Be sure to register your TV. United States http://productregistration.sony.com Canada http://www.sony.ca/registration
Software Updates:	Your TV is capable of receiving software updates. For the latest information about software updates for your TV, visit: United States http://www.sony.com/tvsupport Canada http://www.sony.ca/support NOTE: If your TV is connected to the Internet, you can check for software updates by selecting Settings, Product Support and then Software Update .