

SONY®

Television Téléviseur

Reference Guide

US

Manuel de référence

FR

Sony Customer Support

U.S.A.:

<http://www.sony.com/tvsupport>

Canada:

<http://www.sony.ca/support>

United States

Canada

1.800.222.SONY

1.877.899.SONY

Please Do Not Return the Product to
the Store

Service à la clientèle Sony

Canada :

<http://support.sony.ca/fr>

États-Unis :

<http://www.sony.com/tvsupport>

Canada

États-Unis

1.877.899.SONY

1.800.222.SONY

Ne retournez pas le produit au magasin

BRAVIA

XBR-75X910C / 65X900C / 55X900C

Table of Contents

IMPORTANT NOTICE	2
Safety information	3
Precautions	6
Parts and Controls	8
Controls and Indicators	8
Inputs and Outputs	9
Using Remote Control	11
Remote Control Parts Description	11
Using the Touchpad Remote Control	13
Launching the Touchpad Remote Control Introduction/Tutorial	13
Attaching the Table-Top Stand (Alternative)	14
Connecting the TV	16
Showing a Set Top Box with HDMI connection	16
Showing a Set Top Box with COMPONENT connection	17
Cable System or VHF/UHF Antenna System	17
Connecting MHL Device	18
Showing HD BRAVIA® Sync™ Basic Connection	19
Showing HD Basic Connection with Home Theater System	20
Showing PC Connection with SD VCR/DVD	21
Installing the TV to the Wall	22
Using the supplied Wall-Mount Bracket	22
Using an optional Wall-Mount Bracket	29
Installing the TV against a wall or enclosed area	31
Troubleshooting	32
Troubles and Solutions	32
Specifications	33

Introduction

Thank you for choosing this Sony product. Before operating the TV, please read this manual thoroughly and retain it for future reference.

Note

- Images and illustrations used in Startup Guide and this manual are for reference only and may differ from actual product appearance.

The 75 class has a 74.5 inch (189.3 cm) viewable image size, the 65 class has a 64.5 inch (163.9 cm) viewable image size and the 55 class has a 54.6 inch (138.8 cm) viewable image size (measured diagonally).

Location of the identification label

Labels for the Model No. and Power Supply rating are located on the rear of the TV.

IMPORTANT NOTICE

Owner's Record

The model and serial numbers are located at the side and rear of the TV. Record these numbers in the spaces provided below. Refer to them whenever you call upon your Sony Dealer regarding this TV.

Model Name _____

Serial No. _____

CAUTION

- To prevent electric shock and blade exposure, do not use this AC plug with an extension cord, receptacle or other outlet unless the blades can be fully inserted.
- Operate the TV only on 110-240 V AC (U.S.A./Canada 120 V AC)
 - Some people may experience discomfort (such as eye strain, fatigue, or nausea) while watching 3D video images or playing stereoscopic 3D games. Sony recommends that all viewers take regular breaks while watching 3D video images or playing stereoscopic 3D games. The length and frequency of necessary breaks will vary from person to person. You must decide what works best. If you experience any discomfort, you should stop watching the 3D video images or playing stereoscopic 3D games until the discomfort ends; consult a doctor if you believe necessary. You should also review (i) the instruction manual of any other device or media used with this television and (ii) our website (<http://www.sony.com/tvsupport>) for the latest information. The vision of young children (especially those under six years old) is still under development. Consult your doctor (such as a pediatrician or eye doctor) before allowing young children to watch 3D video images or play stereoscopic 3D games. Adults should supervise young children to ensure they follow the recommendations listed above.
 - Do not use, store, or leave the 3D Glasses or battery near a fire, or in places with a high temperature, e.g., in direct sunlight, or in sun-heated cars.

Safety information

Declaration of Conformity

Trade Name: SONY
Model: XBR-75X910C/XBR-65X900C/XBR-55X900C
Responsible Party: Sony Electronics Inc.
Address: 16530 Via Esprillo,
San Diego, CA 92127 U.S.A.
Telephone Number: 858-942-2230

This device complies with part 15 of the FCC rules. Operation is subject to the following two conditions:
(1) This device may not cause harmful interference, and
(2) this device must accept any interference received, including interference that may cause undesired operation.

FCC Related Information

This equipment has been tested and found to comply with the limits for a Class B digital device, pursuant to Part 15 of the FCC Rules. These limits are designed to provide reasonable protection against harmful interference in a residential installation. This equipment generates, uses and can radiate radio frequency energy and, if not installed and used in accordance with the instructions, may cause harmful interference to radio communications. However, there is no guarantee that interference will not occur in a particular installation. If this equipment does cause harmful interference to radio or television reception, which can be determined by turning the equipment off and on, the user is encouraged to try to correct the interference by one or more of the following measures:

- Reorient or relocate the receiving antenna.
- Increase the separation between the equipment and receiver.
- Connect the equipment into an outlet on a circuit different from that to which the receiver is connected.
- Consult the dealer or an experienced radio/TV technician for help.

Pursuant to FCC regulations, you are cautioned that any changes or modifications not expressly approved in this manual could void your authority to operate this equipment.

Safety and Regulatory

This device complies with Industry Canada licence-exempt RSS standard(s). Operation is subject to the following two conditions: (1) this device may not cause interference, and (2) this device must accept any interference, including interference that may cause undesired operation of the device.

To prevent radio interference to the licensed service, this device is intended to be operated indoors and away from windows to provide maximum shielding. Equipment (or its transmit antenna) that is installed outdoors is subject to licensing.

Only use Wireless LAN indoors when using it with IEEE 802.11a (5 GHz).

This equipment complies with FCC/IC radiation exposure limits set forth for uncontrolled equipment and meets the FCC radio frequency (RF) Exposure Guidelines in Supplement C to OET65 and RSS-102 of the IC radio frequency (RF) Exposure rules. This equipment has very low levels of RF energy that is deemed to comply without maximum permissive exposure evaluation (MPE). But it is desirable that it should be installed and operated with at least 20 cm and more between the radiator and person's body (excluding extremities: hands, wrists, feet and ankles).

This device and its antenna(s) must not be co-located or operating with any other antenna or transmitter except Grant condition.

Note

This television includes a QAM demodulator which should allow you to receive unscrambled digital cable television programming via subscription service to a cable service provider. Availability of digital cable television programming in your area depends on the type of programming and signal provided by your cable service provider.

WALL-MOUNT BRACKET

Below information shows the correct handling of the Wall-Mount Bracket. Be sure to read this information thoroughly and use the Wall-Mount Bracket correctly.

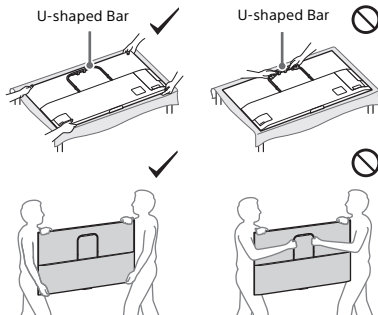
To Customers:

- Be sure to observe the following precautions for safety to prevent a serious injury through fire, electric shock, the product toppling over, or the product dropping.
- Be sure to subcontract the installation to licensed contractors and keep small children away during installation.
 - Be sure to subcontract moving or dismounting of the TV to licensed contractors.
 - Do not remove screws, etc., after mounting the TV.
 - Do not make alterations to the parts of the Wall-Mount Bracket.
 - Do not mount any equipment other than the specified product.
 - Do not apply any load other than the TV on the Wall-Mount Bracket.
 - Do not lean on or hang from the TV.
 - Do not handle the TV with excessive force during cleaning or maintenance.

To Sony Dealers and Contractors:

The following instructions are for Sony dealers and contractors only. Be sure to read safety precautions described below and pay special attention to safety during the installation, maintenance and checking of this product.

- When handling or mounting the TV set, hold it on the sides. Do not lift the TV by the U-shaped Bar.

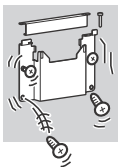


- Do not install the Wall-Mount Bracket on wall surfaces where the corners or the sides of the TV are protruding away from the wall surface.

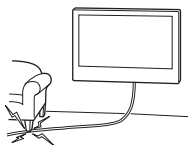


- Do not install the TV over or under an air-conditioner.

- Be sure to install the Wall-Mount Bracket securely to the wall following the instructions in this instruction manual. If any of the screws are loose or fall out, the Wall-Mount Bracket may fall and cause injury or property damage.
- Be sure to use the screws supplied with the Wall-Mount Bracket when attaching the Wall-Mount Bracket to the TV set. The supplied screws are designed as indicated by illustration when measured from the attaching surface of the Wall-Mount Bracket.



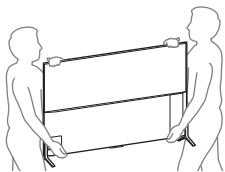
- The diameter and length of the screws differ depending on the Wall-Mount Bracket model. Use of screws other than those supplied may result in internal damage to the TV set or cause it to fall, etc. See page 22 (Using the supplied Wall-Mount Bracket). See page 29 (Using an optional Wall-Mount Bracket).
- Be sure to assemble the bracket properly following the instructed procedure explained in this instruction manual.
 - Be sure to tighten the screws securely in the designated position.
 - Be careful not to subject the TV to shock during installation.
 - Be sure to install the TV on a wall that is both perpendicular and flat.
 - After proper installation of the TV, secure the cables properly.
 - Do not allow the AC power cord or the connecting cables to be pinched as the internal conductors may become exposed and cause a short circuit or an electrical break.



Before setting up your TV

Some TV models are packaged with a detached Table-Top Stand so you can mount your TV to a wall right away. See page 22 (Installing the TV to the Wall) if you want to mount the TV to a wall. If you are not mounting the TV to a wall, you will need to attach the Table-Top Stand. You will need a Phillips screwdriver (not supplied) and the supplied screws to complete the task. Look for the supplied Table-Top Stand instruction leaflet.

- Be sure to consider the following while setting up your TV:
- Disconnect all cables when carrying the TV.
 - Carry the TV with the adequate number of people; larger size TVs require two or more people.
 - To avoid slipping and causing personal injury, do not step on the TV protection bag when unpacking the TV set.
 - Pay attention so that a child does not approach during the Table-Top Stand installation.
 - Correct hand placement while carrying the TV is very important for safety and to avoid damage.



- Ensure your TV has adequate ventilation, see page 31.
- For best picture quality, do not expose the screen to direct illumination or sunlight.
- Avoid installing the TV in a room with reflective wall and floor materials.

- Avoid moving the TV from a cold area to a warm area. Sudden room temperature changes may cause moisture condensation. This may cause the TV to show poor picture and/or poor color. Should this occur, allow moisture to evaporate completely before powering the TV on.

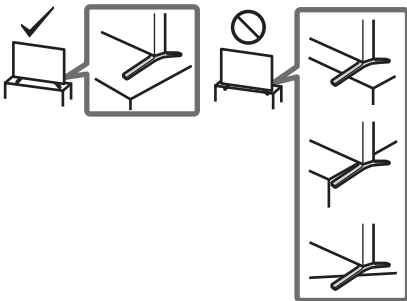
Securing the TV



Sony strongly recommends taking measures to prevent the TV from toppling over. Unsecured TVs may topple and result in property damage, serious bodily injury or even death.

Preventing the TV from Toppling

- Secure the TV to a wall and/or stand.
- Do not allow children to play or climb on furniture and TV sets.
- Avoid placing or hanging items on the TV.
- Never install the TV on:
 - slippery, unstable and/or uneven surfaces.
 - furniture that can easily be used as steps, such as a chest of drawers.
- Install the TV where it cannot be pulled, pushed, or knocked over.
- Install the TV so that the TV's Table-Top Stand does not protrude out from the TV stand (not supplied). If the Table-Top Stand protrudes out from the TV stand, it may cause TV set to topple over, fall down, and cause personal injury or damage to the TV.



- Route all AC power cords and connecting cables so that they are not accessible to curious children.

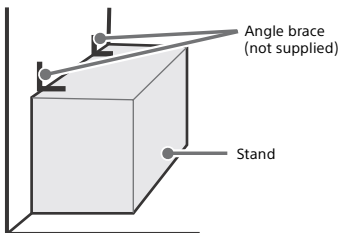
Recommended Measures to Secure the TV

Consider the following measures when securing your TV to a Stand (not supplied).

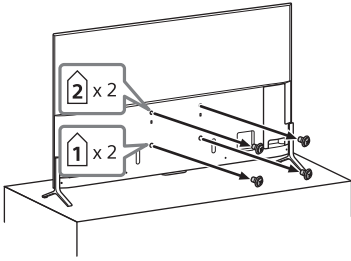
1 Secure the Stand for the TV.

Make sure the Stand can adequately support the weight of the TV. Use two angle braces (not supplied) to secure the stand. For each angle brace use the appropriate hardware to:

- Attach one side of the angle brace to the wall stud.
- Attach the other side to the Stand.



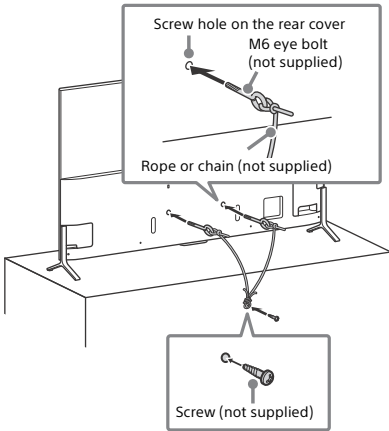
2 Remove the screws from the rear of the TV.



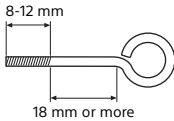
3 Secure the TV to the Stand.

Use the optional hardware listed as follows (not supplied):

- M6 eye bolt (screwed into the TV's rear cover)
- A screw or similar (attach it to the Stand)
- Rope or chain (strong enough to support the weight of the TV). Make sure that there is no excess slack in the rope or chain.

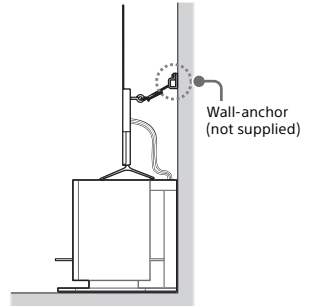
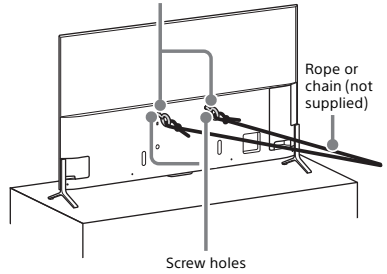


The length of the M6 eye bolt differs depending on the rope or chain diameter. Please see below illustration.

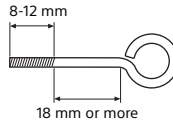


4 Anchor the TV to the wall by using bolts, wall anchor and chain (or rope).

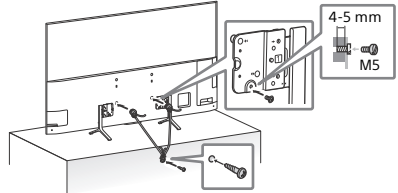
M6 eye bolts (not supplied)



Please see below illustration for M6 eye bolt length.



Use the rope or chain for attaching the Table-Top Stand to middle position, see page 14-15.



Note

- Your TV is shipped with screws attached to the rear of the TV depending on the TV model. (They are fastened in the screw holes for wall mounting.) Be sure to remove the upper two screws prior to anchoring the TV to a wall.
- Securing the TV to the stand without securing the TV and the stand to the wall provides minimum protection against the TV toppling over. For further protection, be sure to follow the three measures recommended.

Precautions

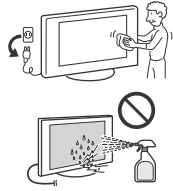
How to care for your BRAVIA TV

Safety is very important. Please read and follow the safety documentation (Safety Booklet) separately provided.

Unplug the TV and other connected equipment from the wall outlet before you begin cleaning your TV.

- Wipe the LCD screen gently with a soft cloth.
- Stubborn stains may be removed with a cloth slightly moistened with a solution of mild soap and warm water.
- If using a chemically pretreated cloth, please follow the instruction provided on the package.
- Never spray water or detergent directly on the TV set. It may drip to the bottom of the screen or exterior parts and enter the TV set, and may cause damage to the TV set.
- Never use strong solvents such as a thinner, alcohol or benzine for cleaning.
- Do not plug in the TV into the wall outlet until the moisture from cleaning has evaporated.
- Do not touch the TV if your hand is covered in any chemical substance such as hand cream or sunblock.

The TV should also be placed on a stable surface to prevent it from toppling over (see page 4). If you have young children or pets at home, check regularly to ensure the TV is securely fastened.



WALL-MOUNT BRACKET

- If you use the TV installed on the Wall-Mount Bracket for a long time, the wall behind or above the TV may become discolored or the wallpaper may come unglued, depending on the material of the wall.
- If the Wall-Mount Bracket is removed after installing it on the wall, the screw holes remain.
- Do not use the Wall-Mount Bracket in a place where it is subjected to mechanical vibration.

The BRAVIA® 4K TV Experience

Thank you for choosing Sony! Your new BRAVIA® TV opens the door to the "4K TV Experience." This document will help you get the most out of your TV. Please take a moment to register your TV at:
U.S.A.: <http://productregistration.sony.com>
Canada: <http://www.sony.ca/registration>

Four Steps to a 4K TV Experience

Set, Source, Sound, and Setup.

1 Set

Now that you have made the best selection in LED backlit LCD TV technology, be sure to remove all of the accessories from the packaging before setting up your TV.

2 Source

To experience the stunning detail of your BRAVIA TV, you need access to HD programming.

- Upgrade your signal or content source to high-definition (4K) by contacting your HD service provider.

- Bring the astonishing resolution of your Sony 4K Ultra HD TV to life with Sony 4K Ultra HD Media Player. (The availability depends on region)
- Receive over-the-air HD broadcasts with an HD-quality antenna connected directly to the back of your TV.
 Visit <http://www.antennaweb.org> for more information on antenna selection and setup.
- Discover the wealth of entertainment now available on super-high resolution Blu-ray Disc™ player and other Sony HD equipment.

3 Sound

Complete the high-definition experience with a BRAVIA Sync™ surround sound system or A/V receiver from Sony.

4 Setup

Install your TV and connect your sources. See page 16 for sample connection diagrams. To help assure the highest quality for your 4K experience, use Sony HDMI (High-Definition Multimedia Interface) cables.

To learn more about 4K TV, visit:


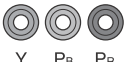



U.S.A.: <http://www.sony.com/HDTV>

Canada: <http://www.sony.ca/hdtv>

This TV displays all video input signals in a resolution of 3,840 dots x 2,160 lines.

US

The following chart shows the high-definition (HD) and standard-definition (SD) video formats supported by your BRAVIA TV inputs.

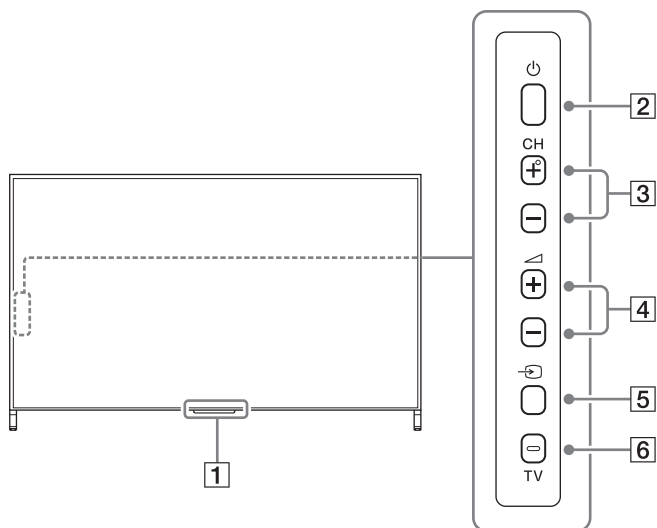
	INPUT	VIDEO	AUDIO	SUPPORTED FORMATS									
				4K*1	1080/24p/30p	1080p*1	1080i	720/24p/30p	720p*1	480p	480i	PC*2	
4K/HD	HDMI			✓	✓	✓	✓	✓	✓	✓	✓	✓	✓
	COMPONENT	 Y Pb Pr	 Audio L/R			✓	✓		✓	✓	✓		
SD	VIDEO	 Composite video connection	 Audio L/R									✓	

*1 For details of supported formats, refer to the "Specifications" in this manual.

*2 For supported PC formats refer to the Help Guide.

Parts and Controls


Controls and Indicators




1 Remote Control sensor* / Light sensor* / Illumination LED / 3D Sync Transmitter (XBR-75X910C only)*

The illumination LED lights up or blinks according to the status of the TV.

- White
When turning on the TV/picture off mode/software update, etc.
- Cyan
When connecting with a mobile device wirelessly.
- Amber
Timer is set.

2  (Power)

3 CH +/- (Channel)

4  +/- (Volume)

5  (Input select)

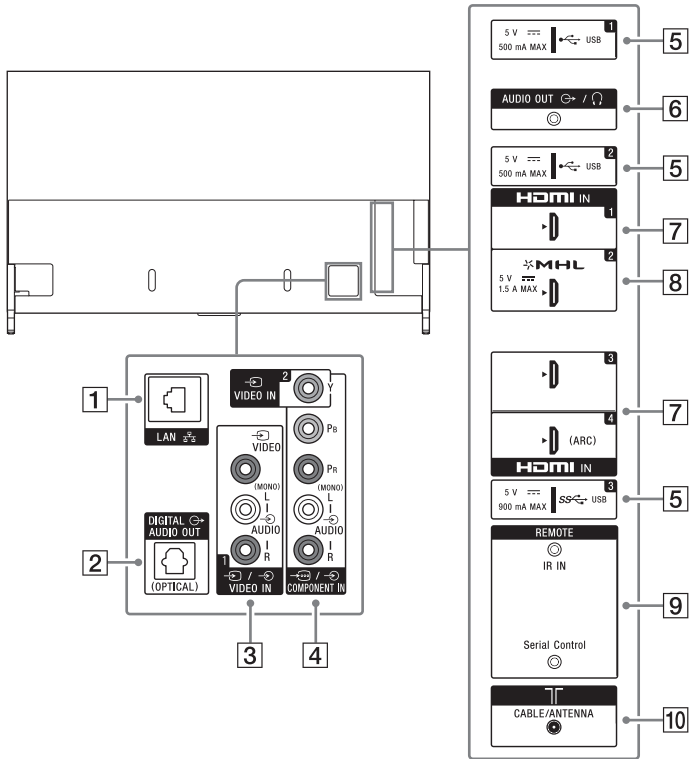
Display and select the input source.

6 TV

Switch to a TV channel or input from other applications.

* Do not place anything near the sensor.

Inputs and Outputs



US

1 🌐 **LAN**

2 🔊 **DIGITAL AUDIO OUT (OPTICAL)**

3 📺 **VIDEO IN 1**
For a composite connection*.

4 📺 **VIDEO IN 2, COMPONENT IN**

- For a composite connection:
Use VIDEO IN, and 📺 (L/R) of 📺/📺 COMPONENT IN*.
- For a component connection:
Use Y, PB, PR, and 📺 (L/R).

5 📶 (USB 1/2), 📶 (USB 3)

- Connecting a large USB device may interfere with other connected devices beside it.
- When connecting a large USB device, connect to the USB 1 jack.

6 🔊 **AUDIO OUT**

- To listen to the TV's sound through the connected equipment, press **HOME**. Select [Settings] → [Sound] → [Headphone/Audio out] and then select the desired item.

7 **HDMI IN 1/3/4**

- If connecting a digital audio system that is compatible with Audio Return Channel (ARC) technology, use HDMI IN 4. If not, an additional connection with DIGITAL AUDIO OUT (OPTICAL) is necessary.

8 **HDMI IN 2/MHL**

- You can connect your MHL (Mobile High-definition Link) device using an HD quality MHL cable.

9 REMOTE IR IN

REMOTE Serial Control

- These jacks are for receiving the external control signal. Enables extended control of the TV using RS232C via the IR IN and Serial Control jacks.

IR IN : connect to the IR out terminal of the home controller.

Serial Control : connect to the RS232C terminal of the home controller.

- Take care to not connect to headphones or an external audio system.
- If [RS232C control] is set to [On], [BRAVIA Sync settings] is not available.

10 CABLE/ANTENNA

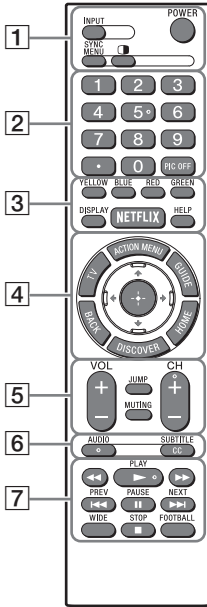
Connect to your cable or antenna.

* When connecting mono equipment, connect to the L (MONO) audio jack.

Using Remote Control

Remote Control Parts Description

IR (infrared) Remote Control



- 1 INPUT**
Display and select the input source.

POWER /

Turn on or turn off the TV (standby mode).

SYNC MENU

Display the BRAVIA Sync Menu.

(Twin picture/PIP)*1*2

Display two pictures simultaneously.

- 2 Number buttons**

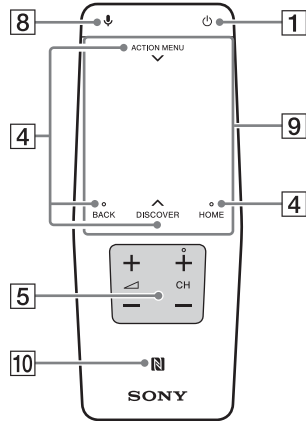


Use with the 0-9 buttons to select digital channels.

PIC OFF2**

Turn the picture off, while sound remains on.

Touchpad Remote Control



- 3 Color buttons**
Execute correspondent function at that time.

DISPLAY

Display information about the channel/program/input you are viewing.

NETFLIX

Access the "NETFLIX" online service.

HELP

Display Help Menu.

4 ACTION MENU

Display a list of contextual functions. You can also display it by slide down your finger from **ACTION MENU** on the Touchpad Remote Control.

TV

Switch to a TV channel or input from other applications.

GUIDE*1

Display the digital program guide.

BACK

Return to previous screen.

HOME

Display the TV Home Menu.

DISCOVER

Bring up the Content Bar to search for content.

You can also launch Content Bar by slide up your finger from **DISCOVER** on the Touchpad Remote Control.

▲/▼/◀/▶/⊕ (Item select/Enter)

5 VOL +/- (Volume)

Adjust the volume.

JUMP

Jump back and forth between two channels or inputs. The TV alternates between the current channel or input and the last channel or input that was selected.

MUTING

Mute the sound. Press again to restore the sound.

CH +/- (Channel)

Select the channel.

6 AUDIO

Change the language for the program currently being viewed.

CC/SUBTITLE

Turn subtitles on or off (when the feature is available).

7 ◀◀/▶▶/▶▶/▶▶/⏸/▶▶/▶▶/■

Operate media contents on TV and connected BRAVIA Sync-compatible device.

WIDE

Change the screen format.

FOOTBALL

Turn Live Football Mode on or off (when the feature is available).

8 🗣️ (Microphone)

Use Voice Function. (e.g., Search various content by voice.)

9 Touchpad

Operate the TV with the touchpad.

10 📶 (NFC)

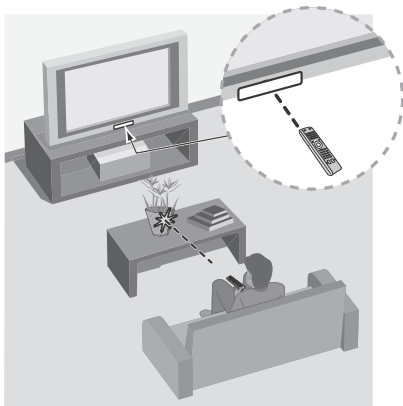
Touch the device (e.g. some models of Xperia) corresponding to the One-touch mirroring function, then its screen is displayed on the TV.

*1 The location, availability and function of remote control button may vary depending on your country/region/TV model.

*2 Twin Picture/PIC OFF function will be available from July 2015. You will receive Twin Picture/PIC OFF function automatically as a network software upgrade. Make sure your TV is connected to the Internet. If you do not have a network connection, you will be able to download the software from the Sony support website using your PC. For details on how to upgrade, please visit the Sony support website.

Guidelines for IR Remote Control

- Point your remote control directly at the IR sensor located on your TV.
- Make sure that no objects are blocking the path between the remote control and the IR sensor on your TV.



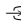
- Fluorescent lamps can interfere with your remote control; try turning off the fluorescent lamps.

- If you are having problems with the remote control, reinsert or replace your batteries and make sure that they are correctly inserted.

Using the Touchpad Remote Control

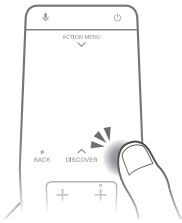
Touchpad Remote Control can only be used after pairing with the TV.

To pair, follow the pairing screen instruction.

Pairing screen can be displayed by pressing the  button on the TV for 5 seconds, or select [Settings] - [Touchpad Remote Control settings] - [Pair Touchpad Remote Control].

Launching the Touchpad Remote Control Introduction/Tutorial

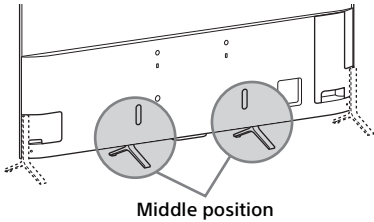
- 1 Press HOME.



- 2 Select [Settings] - [Touchpad Remote Control settings] - [Start Introduction/Tutorial].

Attaching the Table-Top Stand (Alternative)

You can change the Table-Top Stand from the edge to the middle position by referring to the instructions below.

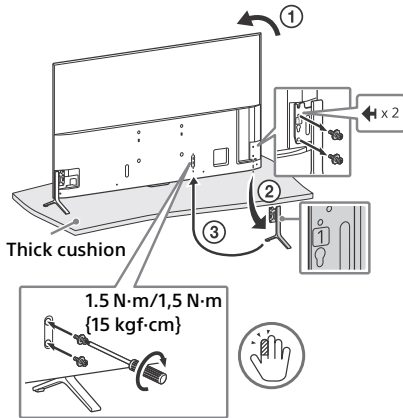


Note

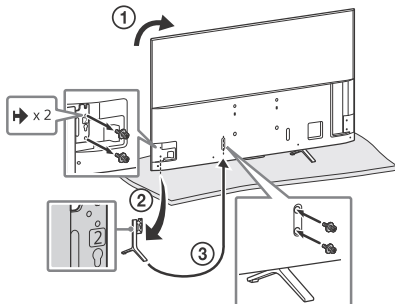
- Two or more people are needed to carry out this installation.
- Be careful not to pinch the finger during installation.

XBR-75X910C/65X900C

1

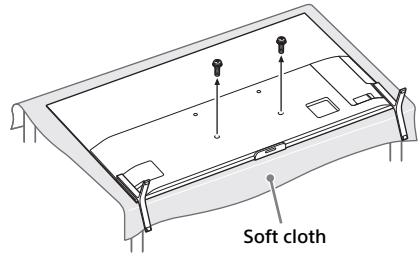


2

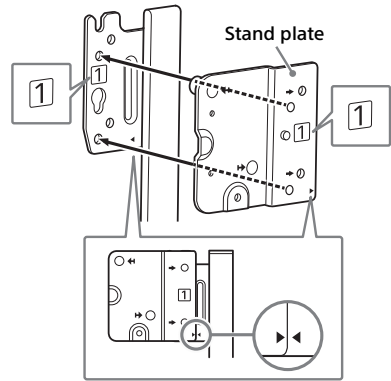


XBR-55X900C

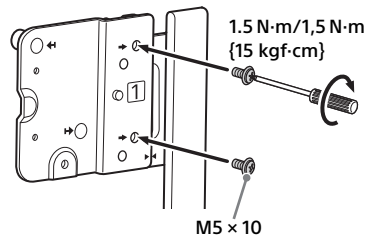
- 1 Remove the lower screws, and then one of the Table-Top Stand.



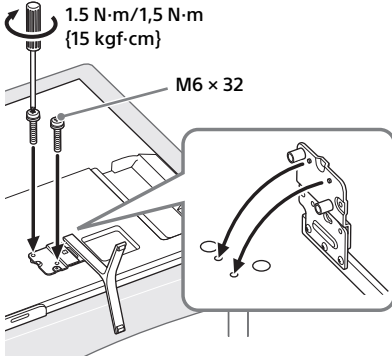
- 2 Attach the stand plate (supplied with the TV) to the detached Table-Top Stand.



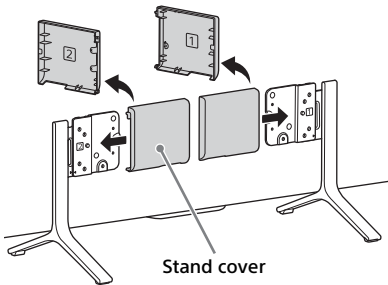
- 3 Fix the stand plate to the Table-Top Stand with screws (M5×10) (supplied with the TV).



- 4** Attach the Table-Top Stand with stand plate to the middle position, and fix with screws (M6×32) (supplied with the TV.)

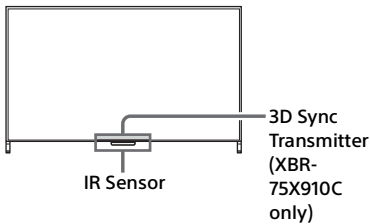


- 5** Take the same procedure for the other side of the Table-Top Stand.
6 Attach stand covers (supplied with the TV.)



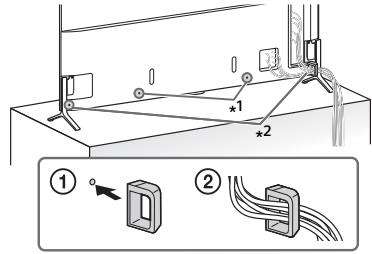
Note

- Two or more people are needed to carry out this installation.
- Ensure that there are no objects in front of the TV.

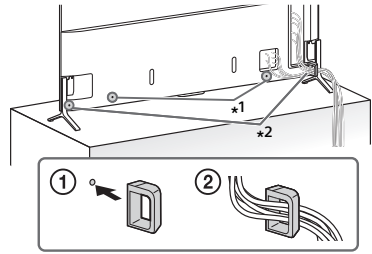


To bundle the cables

XBR-75X910C/65X900C



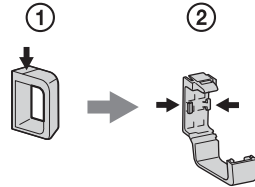
XBR-55X900C



- *1 Location of cable clamer when the Table-Top Stand is attached to middle position.
 *2 Location of cable clamer when the Table-Top Stand is attached to edge position.

Note

- To detach the cable clamer from the TV, press the top of the clamer ①, then pinch ② as illustrated.



Connecting the TV

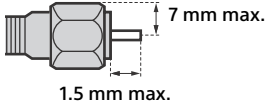
For more information on connections, refer to the Help Guide.

Note

- When connecting the cable to the Cable/Antenna, input finger tighten only, over tightening the connection can damage the TV.
- For the FMP-X1, connect it to the HDMI IN 2 jack only (The availability depends on region).
- To select an input device connected to the TV, press **INPUT**.

Recommendation for an F type plug

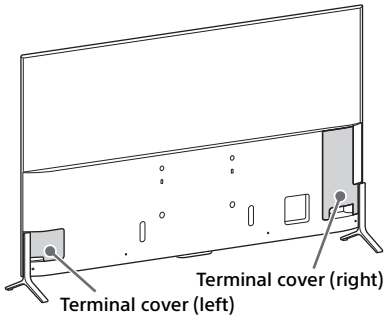
Projection of the inner wire from the connection part must be less than 1.5 mm.



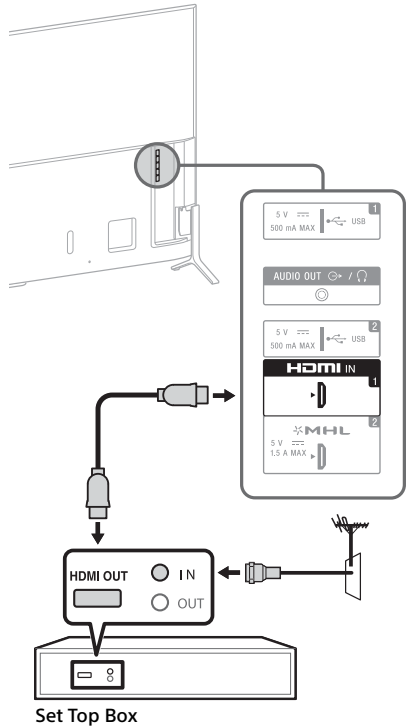
(Reference drawing for an F type plug)

To attach the terminal cover

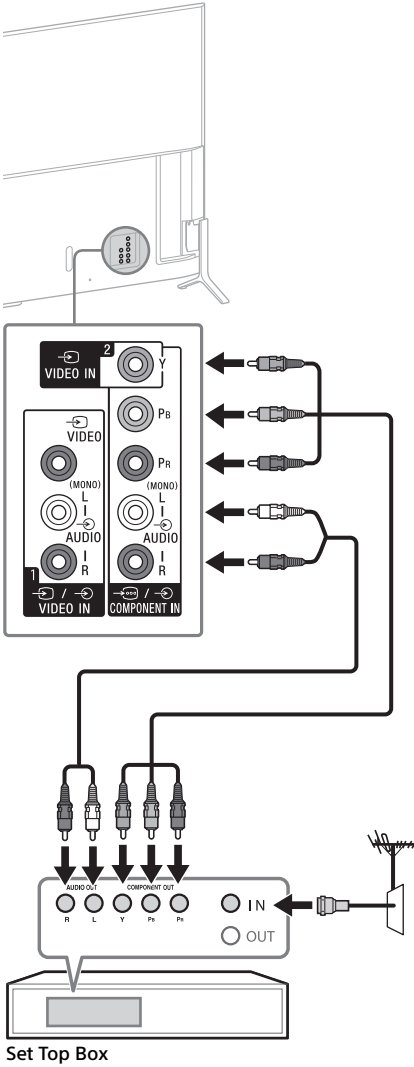
After connecting cables, attach the terminal cover.



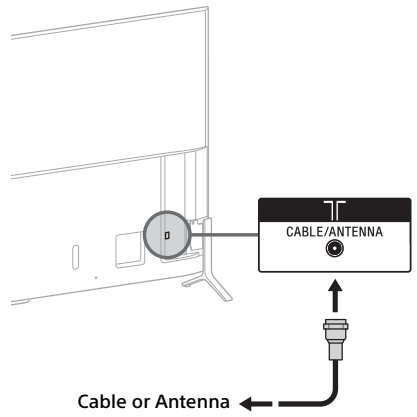
Showing a Set Top Box with HDMI connection



Showing a Set Top Box with COMPONENT connection

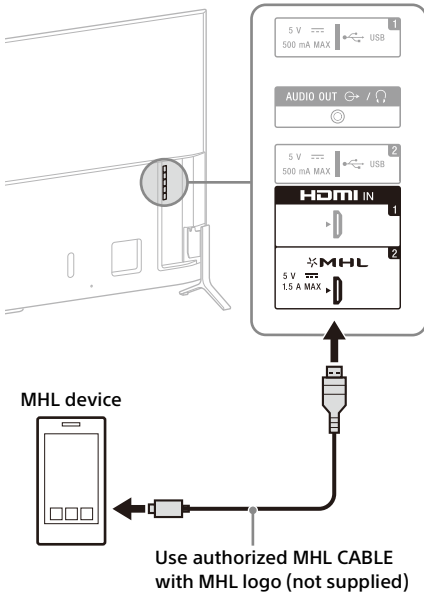


Cable System or VHF/UHF Antenna System



US

Connecting MHL Device



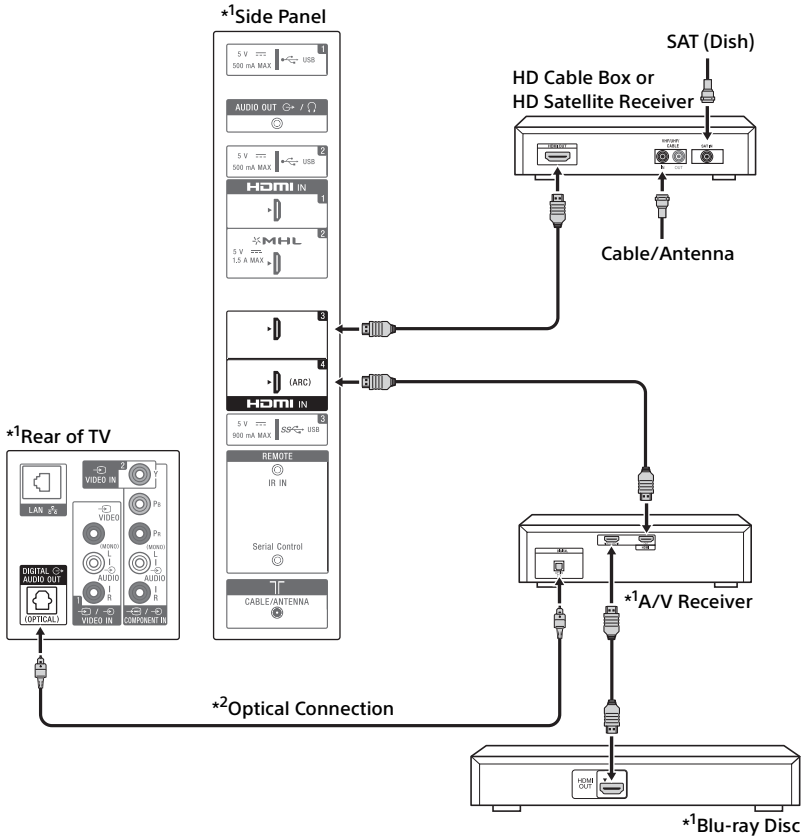
The TV simultaneously charges the MHL-compatible connected device while playing photo/music/video files. You can use the TV remote control to control the connected MHL-compatible device.

Note

- If [Charge MHL during power off] is set to [On], you can continue charging the MHL-compatible device even when the TV is in standby mode.
- Use authorized MHL 3 CABLE with MHL logo for 4K smartphone or mobile devices.

Showing HD BRAVIA® Sync™ Basic Connection

US



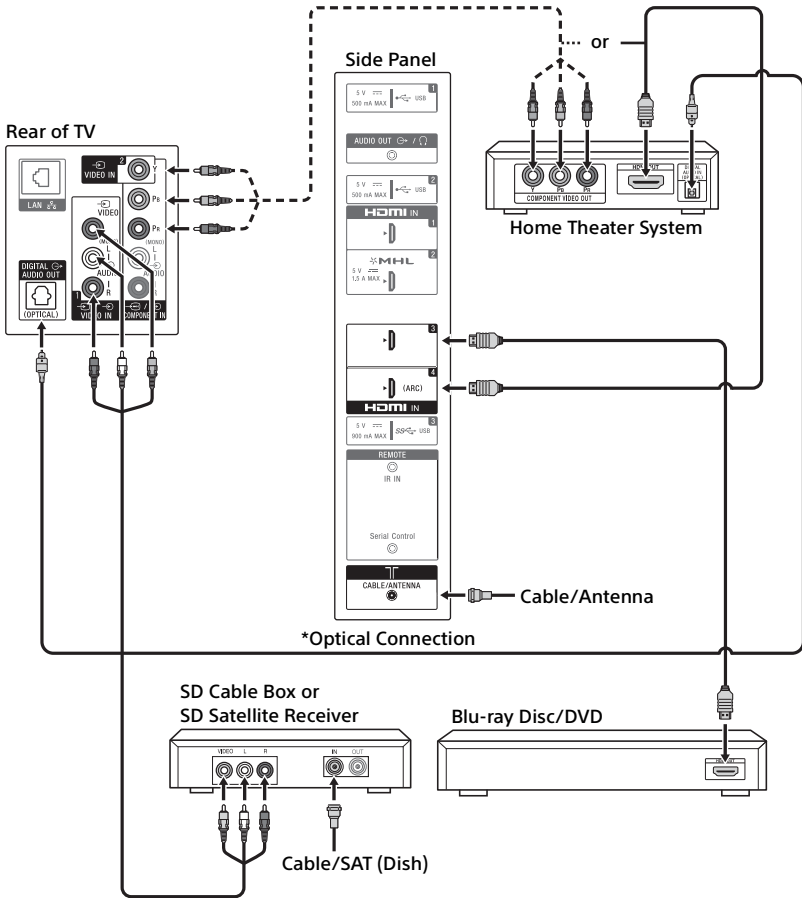
*1 Signifies a BRAVIA Sync capable device.

*2 The optical connection is only needed for A/V receivers that do not support ARC (Audio Return Channel).

Set the speaker settings to audio out, press **HOME**, then select [Settings] → [Sound] → [Speakers] → [Audio system].

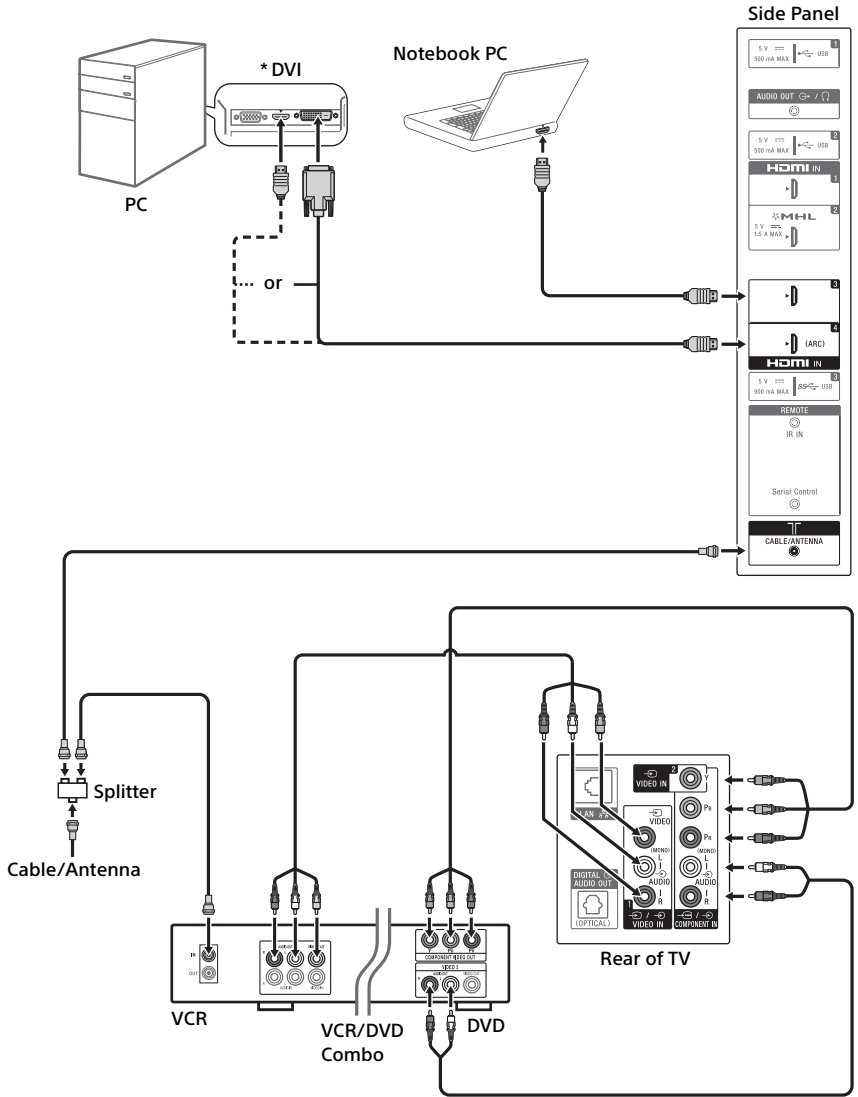
Set the HDMI CEC settings on the TV and AV receiver to allow for system audio control for ARC connections.

Showing HD Basic Connection with Home Theater System



- * The optical connection is only needed for home theater system that do not support ARC (Audio Return Channel) when connecting with HDMI.
Set the speaker settings to audio out, press **HOME**, then select [Settings] → [Sound] → [Speakers] → [Audio system].
Set the HDMI CEC settings on the TV and AV receiver to allow for system audio control for ARC connections.

Showing PC Connection with SD VCR/DVD



* DVI does not support audio signals. Connect the audio output of the PC to the PC speakers or an A/V receiver to listen to sound from the PC.

US

Installing the TV to the Wall

Using the supplied Wall-Mount Bracket

To Customers

Sufficient expertise is required for installing this product. Be sure to subcontract the installation to Sony dealers or licensed contractors and pay special attention to safety during the installation. Sony is not liable for any damages or injury caused by mishandling or improper installation, or installing any other than the specified product. Your Statutory Rights (if any) are not affected.

To Sony Dealers and Contractors

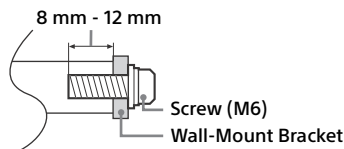
Sufficient expertise is required for installing this product. Be sure to read this instruction manual thoroughly to do the installation work safely. Sony is not liable for any damages or injury caused by mishandling or improper installation.

Your TV can be mounted on a wall using a Wall-Mount Bracket (supplied with the TV) out of the box as packaged.

Prepare the TV for the Wall-Mount Bracket before making cable connections.

For product protection and safety reasons, Sony strongly recommends that installation of your TV on the wall be performed by qualified professionals. Do not attempt to install it yourself.

- Follow the instruction guide provided with the Wall-Mount Bracket for your model. Sufficient expertise is required in installing this TV, especially to determine the strength of the wall for withstanding the TV's weight.
- The length of the screw for Wall-Mount Bracket differs depending on the Wall-Mount Bracket thickness. Please see below illustration.



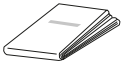
Note

- Read the supplied Safety Booklet for additional safety information.
- See page 3 (Safety Information) and page 6 (Precautions) on WALL-MOUNT BRACKET before carrying out Wall-Mount Bracket installation.
- When attaching the Table-Top Stand again, be sure to fasten the screws (previously removed) to the original holes on the rear of the TV.

1 Prepare necessary items.

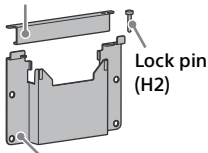
Wall-Mount Bracket accessories (supplied)

Ⓐ Paper Template



Ⓜ Wall-Mount Bracket

Lock plate (H1)

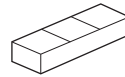


Wall-Mount Bracket (H3)

Ⓝ U-shaped Bar



Ⓚ Cushion



Ⓛ M6 × 20

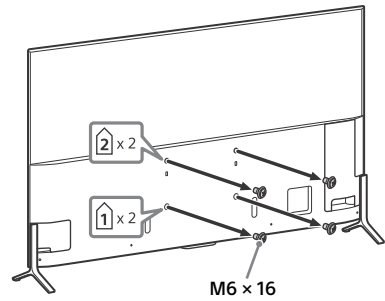
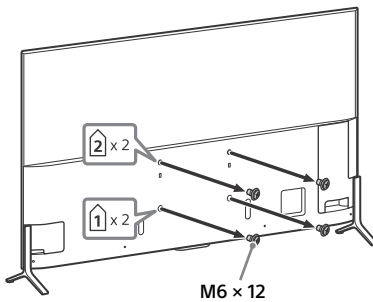


XBR-75X910C only

Screws for Wall-Mount Bracket (8 mm in diameter, not supplied) (4)

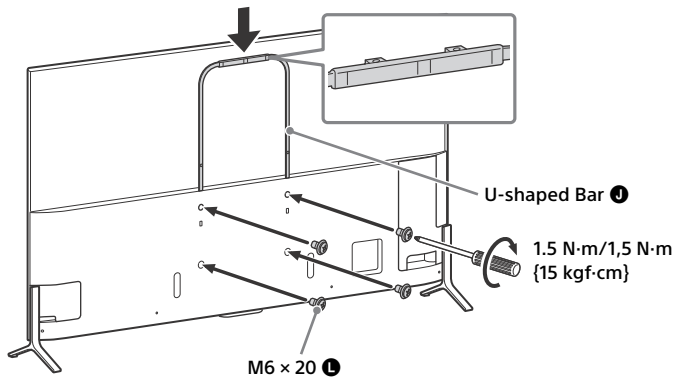
2 Remove the screws from the rear of the TV before attaching the U-shaped Bar.

XBR-75X910C
XBR-65/55X900C

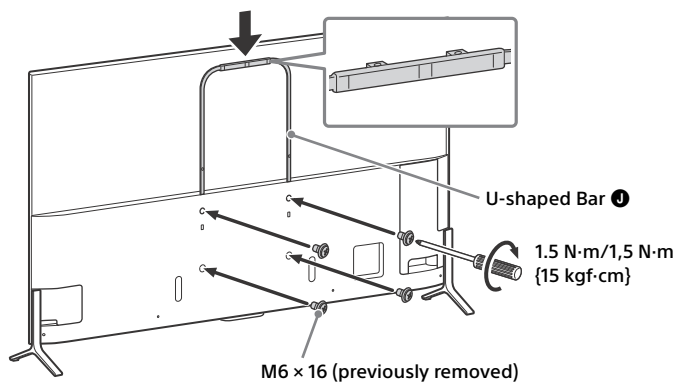


3 Attach the U-shaped Bar Ⓝ (supplied with the TV) to the rear of the TV.

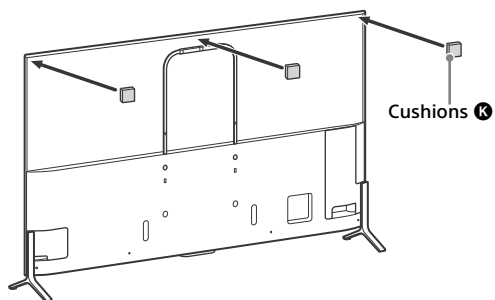
XBR-75X910C



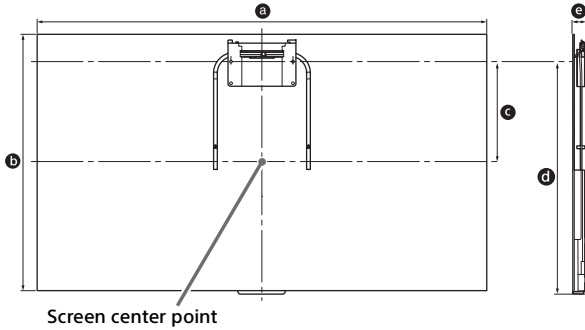
XBR-65/55X900C



4 Attach the cushions ⑫ to the rear of the TV.



- 5 Make sure that the wall has enough space for the TV and is capable of supporting a weight of at least four times that of the TV. Refer to the following table on installing the TV to the wall. See page 33-36 (Specifications) for the TV's weight.



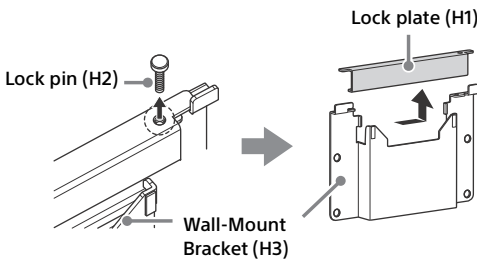
Unit: mm

Model Name XBR-	Display dimensions		Screen center dimension	Length for mounting	
	a	b	c	d	e
75X910C	1,672	959	387	871	50
65X900C	1,451	835	325	747	40
55X900C	1,232	712	263	624	40

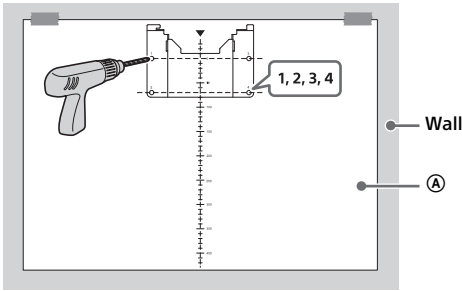
Note

- Figures in the table may differ slightly depending on the installation.

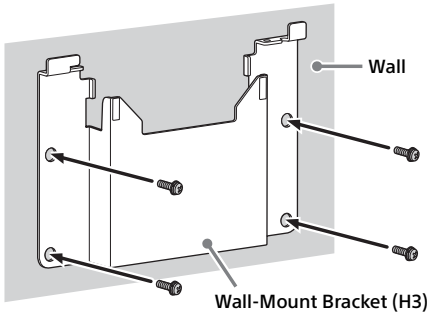
- 6 Pull the lock pin (H2) and detach the lock plate (H1) from the Wall-Mount Bracket (H3).



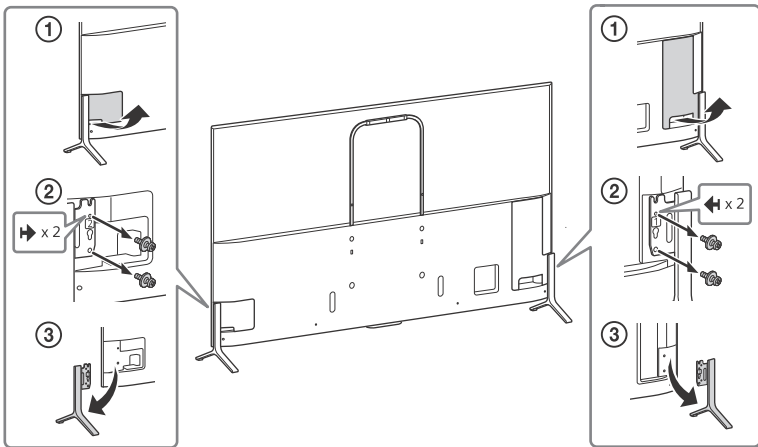
- 7 Tape the Paper Template (A) to the wall and drill holes according to the numbering on the Paper Template (A) using an electric drill.



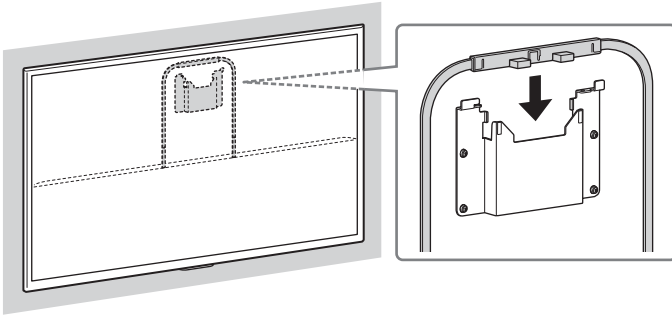
- 8 Remove the Paper Template (A) off from the wall.
- 9 Attach the Wall-Mount Bracket (H3) (supplied with the TV) to the wall correctly using the screws (8 mm in diameter, not supplied).



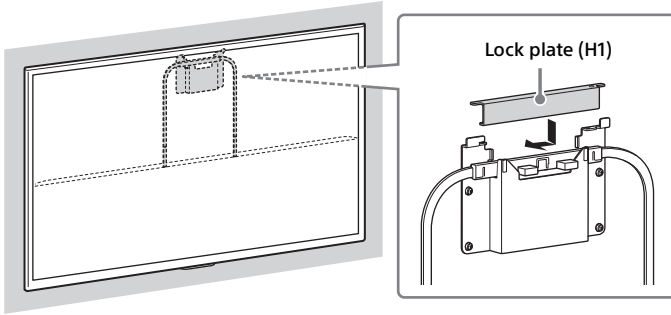
- 10 Remove the terminal covers and detach the Table-Top Stand from the TV while holding the bottom of the TV.



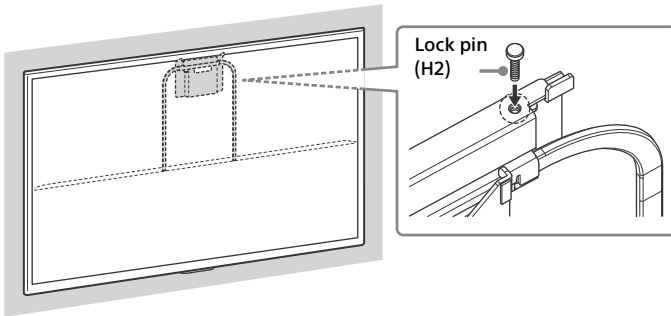
11 Hang the U-shaped Bar to the Wall-Mount Bracket on the wall.



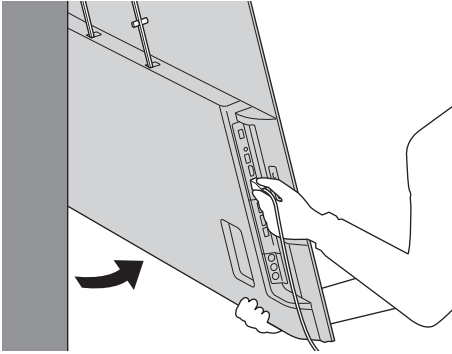
12 Attach the lock plate (H1) (supplied with the TV).



13 Insert the lock pin (H2) (supplied with the TV).

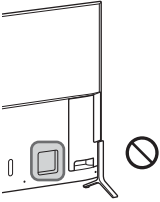


14 Connect cables with TV by tilting it forward.



Note

- Two people are needed to carry out this installation.
- Be sure to fasten the U-shaped Bar when attaching them to the TV.
- If using an electric screwdriver, set the torque at approximately 1.5 N·m {15 kgf·cm}.
- You cannot use some of the terminals on the rear of the TV when using this mounting style.



Using an optional Wall-Mount Bracket

This TV's instruction manual only shows the steps on preparing the installation of the TV before installing to the wall.

Your TV can be mounted on a wall using a Wall-Mount Bracket (not supplied) out of the box as packaged. If the Table-Top Stand is attached to the TV, the TV may require detaching the Table-Top Stand.

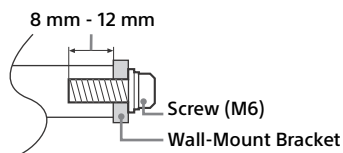
Prepare the TV for the Wall-Mount Bracket before making cable connections.

For product protection and safety reasons, Sony strongly recommends that installation of your TV on the wall be performed by qualified professionals. Do not attempt to install it yourself.

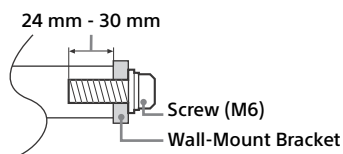
US

- Follow the instruction guide provided with the Wall-Mount Bracket for your model. Sufficient expertise is required in installing this TV, especially to determine the strength of the wall for withstanding the TV's weight.
- The length of the screw for Wall-Mount Bracket differs depending on the Wall-Mount Bracket thickness. Please see below illustration.

Screw hole for the optional Wall-Mount Bracket (Upper side)



Screw hole for the optional Wall-Mount Bracket (Lower side)



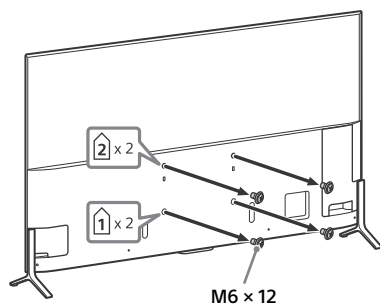
- Be sure to store the unused screws and Table-Top Stand in a safe place until you are ready to attach the Table-Top Stand. Keep the screws away from small children.

Note

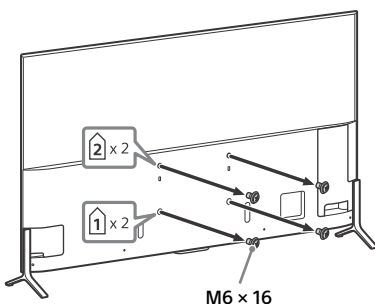
- Read the supplied Safety Booklet for additional safety information.

1 Remove the screws from the rear of the TV before attaching the U-shaped Bar.

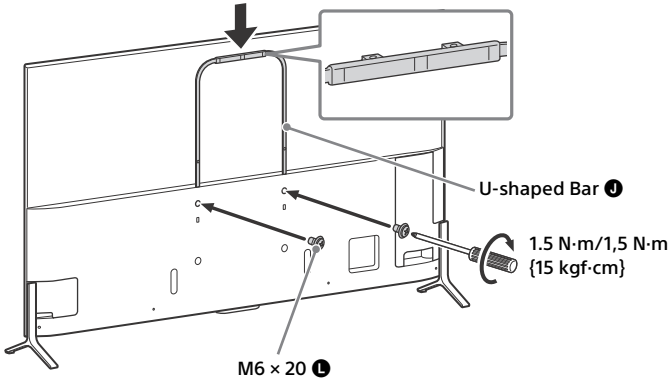
XBR-75X910C



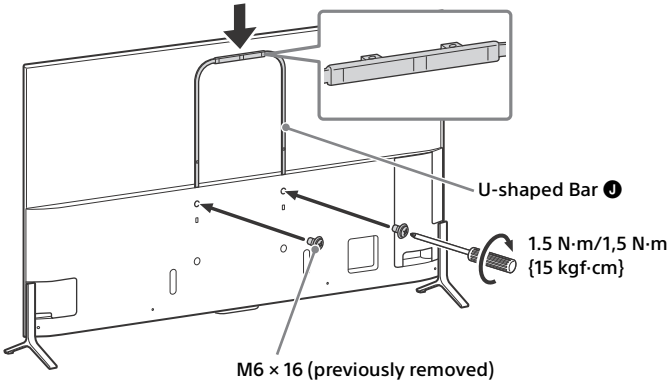
XBR-65/55X900C



2 Attach the U-shaped Bar ❶ (supplied with the TV) to the rear of the TV.
XBR-75X910C



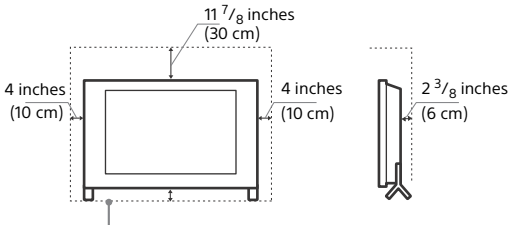
XBR-65/55X900C



Installing the TV against a wall or enclosed area

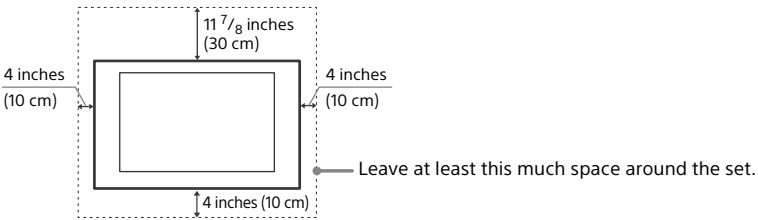
Make sure that your TV has adequate ventilation. Allow enough space around the TV as shown in the illustration.

Installed with stand



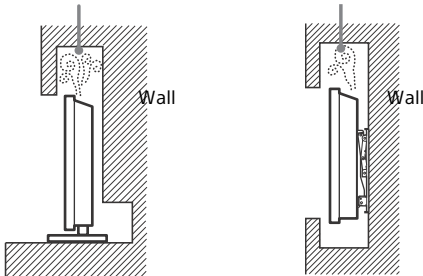
Do not place anything directly below the TV.

Installed on the wall



Never install the TV set as follows:

Air circulation is blocked. Air circulation is blocked.



Note

- Inadequate ventilation can lead to overheating of the TV and may cause damage to your TV or cause a fire.
- Do not place anything directly below the TV.

Troubleshooting

In order to keep your TV software up-to-date, it is necessary to download the latest software information via the digital broadcasting system or internet and to update the software. Select [Update Now] to start a software update. The illumination LED flashes white while the software is updating. Do not unplug the AC power cord during the software update. If you do, the software update may not finish completely, and it may cause a software malfunction. Software updates can take up to 30 minutes. If you do not wish to update the software automatically, press **HOME** and select [Help] → [System software update] → [Automatic software download] → [Off].

When you plug in TV, the TV may not be able to turn on for a while even if you press the power button on the remote control or the TV, because it takes time to initialize the system. Wait for about one minute, then operate it again. When you turn on by pressing the power button on the remote control or the TV, it takes some time to turn on the illumination LED and for the remote control to be functional.

When the illumination LED is flashing red, count how many times it flashes (interval time is three seconds).

If the illumination LED flashes red, reset the TV by disconnecting the AC power cord for two minutes, then turn on the TV.

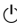
If the problem persists, contact Sony Customer Support (information provided on the front cover) with the number of times the illumination LED flashes red (interval time is three seconds). Disconnect the AC power cord, and contact Sony Customer Support.

When the illumination LED is not flashing, check the items as follows.

You can also refer to [Troubleshooting] in the Help Guide or perform self-diagnosis by selecting [Help] → [Self diagnostics]. If the problem persists, contact Sony Customer Support (information provided on the front cover).

Troubles and Solutions

There is no picture (screen is dark) and no sound.

- Check the cable/antenna connection.
- Connect the TV to AC power, and press the  button on the TV or **POWER** button on the remote control.

Some programs cannot be tuned.

- Check the antenna/cable connection.

The remote control does not function.

- Replace the batteries.

The Parental lock password has been forgotten.

- Enter 4357 for the PIN code. (PIN code 4357 is always accepted.)

The TV and its surroundings become warm.


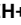
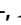
- When the TV is used for an extended period of time, the TV and its surroundings may become warm to the touch. This is not a malfunction of the TV.

How to reset the TV to factory settings

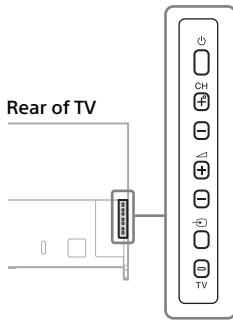
- Turn on the TV. You can reset the TV to factory settings by pressing **HOME**, then select [Settings] → [Storage & reset] → [Factory data reset].
WARNING: The reset will clear all of your customized settings including the [Parental lock] setting.
- For security purposes, be sure to remove all personal and account information before discarding, selling or passing your TV to someone else by: unlinking/unregistering, signing out of and deactivating all network services as well as factory reset the TV.

Frozen audio or video, a blank screen, or the TV does not respond to TV or remote control buttons.

- Perform a simple reset of the TV by unplugging the AC power cord for two minutes, then plug it in again.

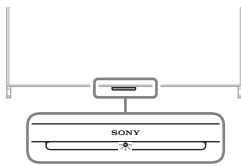
The , CH+/-,  +/-,  and TV buttons cannot be located on the TV.

- See below illustration for location of the buttons on the TV.



The illumination LED is turned on.

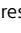
- If you do not wish to light up the illumination LED, you can turn it off. Press **HOME**, then select [Settings] → [Illumination LED] → [Off].



Cannot connect to a wireless router by WPS (Wi-Fi Protected Setup).

- If you use WEP security, select [Easy] → [Wi-Fi] → [Connect by scan list]. Then, select the network name (SSID) you want to connect.

Cannot find the required network name in network setup.

- Select [[Manual entry]] and press  to enter network name.

Specifications

System

Television system

NTSC: American TV standard

ATSC (8VSB terrestrial): ATSC compliant 8VSB
QAM on cable: ANSI/SCTE 07 2000 (Does not include CableCARD functionality)

Channel coverage

Analog terrestrial: 2 - 69 / Digital terrestrial: 2 - 69

Analog Cable: 1 - 135 / Digital Cable: 1 - 135

Panel system

LCD (Liquid Crystal Display) Panel, LED Backlight

Speaker output

7.5 W + 7.5 W + 7.5 W + 7.5 W

Wireless technology

Protocol IEEE802.11ac/a/b/g/n
Bluetooth Version 4.1

Input/Output jacks

CABLE/ANTENNA

75-ohm external terminal for RF inputs

 /  VIDEO IN 1

Video / Audio input (phono jacks)

 /  COMPONENT IN

YPbPr (Component Video): 1080p (60 Hz), 1080i (60 Hz), 720p (60 Hz), 480p, 480i
Audio input (phono jacks)

 VIDEO IN 2

Video input (common phono pin with Y input)

HDMI IN 1/2/3/4 (Support 4K resolution)

Video (2D):

4096 × 2160p (60 Hz)^{*1*2}, 4096 × 2160p (24 Hz)^{*2}, 3840 × 2160p (60 Hz)^{*1}, 3840 × 2160p (24, 30 Hz), 1080p (30, 60 Hz), 1080/24p, 1080i (60 Hz), 720p (30, 60 Hz), 720/24p, 480p, 480i, PC Formats

^{*1} YCbCr 4:2:0 / 8bit only

^{*2} 3840 × 2160p is displayed when 4096 × 2160p is input

Video (3D):

Frame Packing: 1080p (30 Hz), 1080/24p, 1080i (60 Hz), 720p (30, 60 Hz), 720/24p
Side-by-Side: 1080p (60 Hz), 1080/24p, 1080i (60 Hz), 720p (60 Hz)
Over-Under: 1080p (30, 60 Hz), 1080/24p, 1080i (60 Hz), 720p (60 Hz)

Audio: 5.1 channel linear PCM: 32, 44.1, 48, 88.2, 96, 176.4 and 192 kHz, 16, 20 and 24 bits, Dolby Digital and DTS

ARC (Audio Return Channel) (HDMI IN 4 only)

US

MHL (HDMI IN 2)

Video (2D):

4096 × 2160p (24 Hz)*, 3840 × 2160p (24, 30 Hz), 1080p (30, 60 Hz), 1080/24p, 1080i (60 Hz), 720p (30, 60 Hz), 720/24p, 480p, 480i

* 3840 × 2160p is displayed when 4096 × 2160p is input

Video (3D):

Frame Packing: 1080p (30 Hz), 1080/24p, 1080i (60 Hz), 720p (30, 60 Hz), 720/24p

Side-by-Side: 1080p (60 Hz), 1080/24p, 1080i (60 Hz), 720p (60 Hz)

Over-Under: 1080p (60 Hz), 1080p (30 Hz), 1080/24p, 1080i (60 Hz), 720p (60 Hz)

Audio: 5.1 channel linear PCM: 32, 44.1, 48, 88.2, 96, 176.4 and 192 kHz, 16, 20 and 24 bits, Dolby Digital and DTS

DIGITAL AUDIO OUT (OPTICAL)

Digital optical jack (Two channel linear PCM, Dolby Digital, DTS)

AUDIO OUT (Stereo mini jack)

Headphone, Audio Output, Subwoofer



USB port 1 and 2 support High Speed USB (USB2.0).

USB port 3 supports Super Speed USB (USB3.0).



10BASE-T/100BASE-TX connector
(Connection speed may differ depending on the network environment. 10BASE-T/100BASE-TX communication rate and communication quality are not guaranteed for this TV.)

Home Network

Refer to the Help Guide for supported formats.

REMOTE

RS232C, Serial Control mini jack; IR IN mini jack.

These jacks are for receiving the external control signal.

Others

Optional accessories

Wireless Subwoofer: SWF-BR100

MHL Cable: DLC-MC20

4K Media Player: FMP-X10 (U.S.A. only)

Active 3D Glasses: TDG-BT500A (XBR-75X910C)



Passive 3D Glasses: TDG-500P (XBR-65/55X900C)



Operating temperature

32 °F – 104 °F (0 °C – 40 °C)

Power and others

Power requirement

110 V - 240 V AC, 50/60 Hz (U.S.A./Canada)
120 V AC, 60 Hz

Power consumption

in use

XBR-75X910C: 309 W

XBR-65X900C: 278 W

XBR-55X900C: 241 W

in standby*

Less than 0.5 W

Screen size (inches measured diagonally)

(Approx.)

XBR-75X910C: 74.5 inches (75 class)

XBR-65X900C: 64.5 inches (65 class)

XBR-55X900C: 54.6 inches (55 class)

Display resolution

3,840 dots (horizontal) × 2,160 lines (vertical)

Output Rating

USB 1

5 V, ---, 500 mA MAX

USB 2

5 V, ---, 500 mA MAX

USB 3

5 V, ---, 900 mA MAX

MHL (HDMI IN 2)

5V, --- 1.5 A MAX

* Standby power consumption will increase when your TV is connected to the network.

Dimensions (Approx.)

with stand

Edge position:

XBR-75X910C: 1,672 × 1,031 × 336 mm /
65 7/8 × 40 5/8 × 13 1/4 inches

XBR-65X900C: 1,451 × 897 × 257 mm /
57 1/4 × 35 3/8 × 10 1/8 inches

XBR-55X900C: 1,232 × 774 × 257 mm /
48 5/8 × 30 1/2 × 10 1/8 inches

Middle position:

XBR-75X910C: 1,672 × 1,031 × 336 mm /
65 7/8 × 40 5/8 × 13 1/4 inches

XBR-65X900C: 1,451 × 897 × 257 mm /
57 1/4 × 35 3/8 × 10 1/8 inches

XBR-55X900C: 1,232 × 766 × 257 mm /
48 5/8 × 30 1/2 × 10 1/8 inches

without stand

XBR-75X910C: 1,672 × 959 × 50 mm /
65 ⁷/₈ × 37 ⁷/₈ × 2 ⁵/₈ inches
XBR-65X900C: 1,451 × 835 × 39 mm /
57 ¹/₄ × 32 ⁷/₈ × 1 ⁹/₁₆ inches
XBR-55X900C: 1,232 × 712 × 39 mm /
48 ⁵/₈ × 28 ¹/₈ × 1 ⁹/₁₆ inches

wall-mount hole pattern

XBR-75X910C: 400 × 300 mm
XBR-65X900C: 300 × 300 mm
XBR-55X900C: 300 × 300 mm

wall-mount screw size (mm)

M6 (length: see diagram on page 29.)

Stand width (Approx.)

Edge position:

XBR-75X910C: 1,669 mm
XBR-65X900C: 1,449 mm
XBR-55X900C: 1,230 mm

Middle position:

XBR-75X910C: 740 mm
XBR-65X900C: 576 mm
XBR-55X900C: 530 mm

Mass (Approx.)

with stand

XBR-75X910C: 35.1 kg / 77.4 lb.
XBR-65X900C: 24.0 kg / 52.9 lb.
XBR-55X900C: 19.7 kg / 43.4 lb.

without stand



XBR-75X910C: 33.7 kg / 74.3 lb.
XBR-65X900C: 23.2 kg / 51.2 lb.
XBR-55X900C: 18.4 kg / 40.6 lb.

Note

- Optional accessories availability depends on countries/region/TV model/stock.
- Design and specifications are subject to change without notice.
- This TV set incorporates MHL 3.

Licensing Information

- The terms HDMI and HDMI High-Definition Multimedia Interface, and the HDMI Logo are trademarks or registered trademarks of HDMI Licensing LLC in the United States and other countries.
- Ferguson Patent Properties, LLC: U.S. Patent No. 6,816,141
- Manufactured under license from Dolby Laboratories. Dolby and the double-D symbol are trademarks of Dolby Laboratories.

- “BRAVIA” and BRAVIA, S-Force, Motionflow, BRAVIA Sync, and  are trademarks or registered marks of Sony Corporation.
- Gracenote, Gracenote eyeQ, Gracenote VideoID, Gracenote Video Explore, the Gracenote logo and logotype, and the “Powered by Gracenote” logo are either registered trademarks or trademarks of Gracenote in the United States and/or other countries.
- Opera® Devices SDK from Opera Software ASA. Copyright 1995-2014 Opera Software ASA. All rights reserved.
- Wi-Fi, Wi-Fi Direct, Miracast and Wi-Fi Protected Setup are trademarks or registered trademarks of Wi-Fi Alliance.
- MHL, Mobile High-Definition Link and the MHL Logo are trademarks or registered trademarks of MHL Licensing, LLC.
- For DTS patents, see <http://patents.dts.com>. Manufactured under license from DTS, Inc. DTS, the Symbol, & DTS and the Symbol together are registered trademarks, and DTS Digital Surround is a trademark of DTS, Inc. © DTS, Inc. All Rights Reserved.
- Designed with UEI Technology™ Under License from Universal Electronics Inc. Portions © UEI 2000 - 2014
- The Bluetooth® word mark and logos are owned by the Bluetooth SIG, Inc. and any use of such marks by Sony Corporation is under license. Other trademarks and trade names are those of their respective owners.
- TUXERA is a registered trademark of Tuxera Inc. in the US and other countries.
- USB-IF SuperSpeed USB Trident logo is a registered trademark of USB Implementers Forum, Inc. 
- The N Mark is a trademark or registered trademark of NFC Forum, Inc. in the United States and in other countries.



Actual resolution:
3840 x 2160 pixels.



Table des matières

AVIS IMPORTANT	2
Consignes de sécurité	3
Précautions	6
Pièces et commandes	8
Commandes et indicateurs	8
Entrées et sorties	9
Utilisation de la télécommande	11
Description des pièces de la télécommande	11
Utilisation de la télécommande à pavé tactile	13
Lancement de l'introduction/du didacticiel de la télécommande à pavé tactile	13
Fixer le support de table (Alternative)	14
Raccorder le téléviseur	16
Illustration d'une boîte numérique avec la connexion HDMI	16
Illustration d'une boîte numérique avec la connexion COMPONENT	17
Système câblé ou avec antenne VHF/UHF	17
Raccordement d'un appareil MHL	18
Illustration d'une connexion HD BRAVIA® Sync™ de base	19
Illustration d'une connexion HD de base avec un système de cinéma-maison	20
Illustré avec la connexion à un ordinateur avec un magnétoscope ou lecteur DVD à définition standard	21
Fixer le téléviseur au mur	22
Utilisation du support de fixation murale fourni	22
Utilisation d'un support de fixation murale en option	29
Installation du téléviseur contre un mur ou dans un endroit fermé	31
Dépannage	32
Problèmes et solutions	32
Spécifications	33

Introduction

Merci d'avoir choisi ce produit Sony.
Avant de faire fonctionner le téléviseur, lisez attentivement ce manuel et conservez-le pour toute référence ultérieure.

Remarque

- Les images et illustrations utilisées dans le Manuel de démarrage et ce manuel sont fournies uniquement à titre de référence et peuvent différer de l'aspect réel du produit.

La taille d'image visualisable de la classe 75 est de 74,5 pouces (189,3 cm), la taille d'image visualisable de la classe 65 est de 64,5 pouces (163,9 cm) et la taille d'image visualisable de la classe 55 est de 54,6 pouces (138,8 cm) (mesurée en diagonale).

Emplacement de l'étiquette d'identification

Les étiquettes indiquant le numéro de modèle et les caractéristiques nominales de l'alimentation du téléviseur se trouvent à l'arrière du téléviseur.

AVIS IMPORTANT

Fiche d'identification

Les numéros de modèle et de série sont indiqués à l'arrière et sur le côté du téléviseur. Inscrivez ces numéros dans les espaces ci-dessous. Faites-y référence chaque fois que vous appelez votre détaillant Sony au sujet de ce téléviseur.

Nom du modèle

N° de série

ATTENTION

Pour prévenir les chocs électriques et l'exposition des broches, n'utilisez pas cette fiche CA avec une rallonge, une prise de courant ou une autre sortie de courant, sauf si les broches peuvent être insérées jusqu'au fond.

- Faites uniquement fonctionner le téléviseur sur un courant de 110-240 V CA. (États-Unis/Canada 120 V CA)
- Certaines personnes peuvent ressentir de l'inconfort (tel que de la fatigue oculaire, fatigue ou nausée) pendant le visionnement d'images vidéo 3D ou de jeux en 3D stéréoscopique. Sony recommande à tous les utilisateurs de prendre régulièrement des pauses pendant le visionnement d'images vidéo 3D ou les parties de jeux en 3D stéréoscopique. La durée et la fréquence des pauses nécessaires varient d'une personne à l'autre. C'est à vous de décider ce qui vous convient le mieux. En cas d'inconfort, cessez de visionner des images vidéo 3D ou de jouer à des jeux en 3D stéréoscopique jusqu'à ce que les symptômes disparaissent; consultez un médecin si vous pensez que cela est nécessaire. Consultez également (i) le mode d'emploi de tout autre appareil ou support média utilisé avec votre téléviseur et (ii) notre site Web (<http://www.sony.ca/support>) pour obtenir les renseignements les plus à jour. La vision des jeunes enfants (en particulier ceux de moins de 6 ans) est en plein développement. Consultez votre médecin (tel qu'un pédiatre ou ophtalmologiste) avant de permettre aux jeunes enfants de visionner des images vidéo 3D ou jouer à des jeux en 3D stéréoscopique. Les adultes doivent surveiller les jeunes enfants pour s'assurer qu'ils suivent les recommandations ci-dessus.

- N'utilisez pas ou ne laissez pas les lunettes 3D, ou la pile près d'un feu ou dans des endroits où la température est élevée, soit à la lumière directe du soleil ou dans des véhicules stationnés au soleil.

Consignes de sécurité

Déclaration de conformité

Appellation commerciale : SONY
 Modèle : XBR-75X910C/XBR-65X900C/XBR-55X900C
 Partie responsable : Sony Electronics Inc.
 Adresse : 16530 Via Esprillo, San Diego, CA 92127 U.S.A.
 Numéro de téléphone : 858-942-2230

Cet appareil est conforme à la section 15 des règlements de la FCC. L'utilisation de ce dispositif est autorisée seulement aux conditions suivantes :

- (1) Cet appareil ne doit pas provoquer des interférences gênantes; et (2) cet appareil doit pouvoir accepter les interférences reçues, y compris les interférences risquant de déclencher des opérations non désirées.

Informations relatives aux règlements de la FCC

Cet appareil a été soumis à l'essai et s'est avéré conforme aux limites pour un appareil numérique de classe B, conformément à la section 15 des règlements de la FCC. Ces normes sont conçues pour assurer une protection raisonnable contre les interférences nuisibles dans un environnement résidentiel. Cet appareil génère, utilise et peut émettre de l'énergie de fréquence radio et, s'il n'est pas installé ou utilisé selon les directives, peut causer des interférences nuisibles aux communications radio. Cependant, il n'existe aucune garantie que des interférences ne se produiront pas dans une installation particulière. Si ce matériel est source d'interférences nuisibles pour la réception radio ou télévisée, ce qui peut être déterminé en mettant l'appareil hors tension, puis sous tension, il est recommandé de tenter d'éliminer ces interférences en appliquant l'une ou plusieurs des mesures suivantes :

- Réorienter ou déplacer l'antenne réceptrice.
- Éloigner l'appareil du récepteur.
- Brancher l'appareil dans une prise d'un circuit différent de celui qui alimente le récepteur.
- Consulter le détaillant ou un technicien radio ou télévision qualifié pour obtenir de l'aide.

Conformément aux règlements de la FCC, vous êtes averti que tous les changements ou modifications non expressément approuvés dans ce manuel pourraient annuler tous vos droits relatifs à l'utilisation de ce produit.

Sécurité et réglementation

Cet appareil est conforme aux normes RSS d'Industrie Canada applicables aux appareils radio exempts de licence. L'utilisation de ce dispositif est autorisée seulement aux conditions suivantes : (1) Cet appareil ne doit pas provoquer des interférences gênantes; et (2) cet appareil doit pouvoir accepter les interférences reçues, y compris les interférences risquant de déclencher des opérations non désirées.

Pour empêcher que cet appareil cause du brouillage au service faisant l'objet d'une licence, il doit être utilisé à l'intérieur et devrait être placé loin des fenêtres afin de fournir un écran de blindage maximal. Si le matériel (ou son antenne d'émission) est installé à l'extérieur, il doit faire l'objet d'une licence.

Utilisez uniquement le LAN sans fil à l'intérieur lorsqu'il est utilisé avec l'IEEE 802.11a (5 GHz).

Ce dispositif est conforme aux limites d'exposition aux rayonnements de la FCC/C prescrites pour un environnement non contrôlé et est conforme aux directives d'exposition de fréquence radio (RF) de la FCC établies au supplément C à OET65 et RSS-102 des règlements d'exposition de fréquence radio (RF) IC. Ce dispositif a des niveaux très bas d'énergie RF qui sont jugés conformes sans évaluation d'exposition permissive (MPE) maximum. Il doit être installé et utilisé en laissant une distance minimale de 20 cm entre le radiateur et le corps (en excluant les extrémités : mains, poignets, pieds et chevilles).

Cet appareil et sa ou ses antennes ne doivent pas être placés à proximité d'autres antennes ou émetteurs ni fonctionner avec eux, sauf autorisation spéciale.

Remarque

Ce téléviseur comporte un modulateur QAM qui devrait vous permettre de recevoir une programmation numérique décodée de câblodistribution par le biais d'un service d'abonnement auprès d'un câblodistributeur. La disponibilité d'une programmation télévisée numérique par câblodistribution dans votre région dépend du type de programmation et de signal fournis par votre câblodistributeur.

SUPPORT DE FIXATION MURALE

Les informations ci-dessous présentent la manipulation correcte du support de fixation murale. Veuillez à lire attentivement ces informations et à utiliser correctement le support de fixation murale.

Note au consommateur :

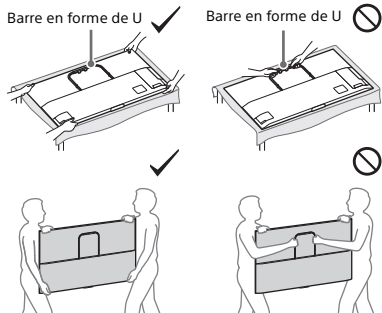
Veuillez à suivre les précautions suivantes pour votre sécurité, afin d'éviter des blessures graves par feu, choc électrique, basculement ou chute du produit.

- Veuillez à confier l'installation à des entrepreneurs autorisés et à laisser les enfants à l'écart pendant l'installation.
- Veuillez à confier le déplacement ou le démontage du téléviseur à des entrepreneurs autorisés.
- N'enlevez pas les vis, etc., après avoir installé le téléviseur.
- N'effectuez pas de modifications sur les pièces du support de fixation murale.
- N'installez pas un autre équipement que le produit spécifié.
- N'appliquez aucune autre charge que celle du téléviseur sur le support de fixation murale.
- Ne vous appuyez pas ou ne vous suspendez pas au téléviseur.
- Ne manipulez pas le téléviseur avec trop de force pendant le nettoyage ou l'entretien.

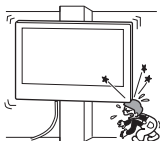
Aux détaillants et entrepreneurs Sony :

Les instructions suivantes sont destinées uniquement aux détaillants et entrepreneurs Sony. Veuillez à lire les précautions de sécurité décrites ci-dessous et à faire particulièrement attention à la sécurité lors de l'installation, de l'entretien et de la vérification de ce produit.

- Fixez correctement la base de fixation murale au mur. Ne soulevez pas le téléviseur par la barre en forme de U.

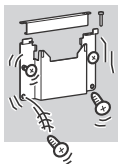


- N'installez pas le support de fixation murale sur des surfaces murales où les coins ou les côtés du téléviseur dépassent de la surface murale.



- N'installez pas le téléviseur sur ou en-dessous d'un climatiseur.

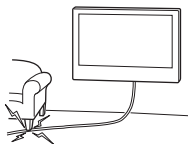
- Veillez à installer le support de fixation murale solidement au mur en suivant les instructions présentes dans ce mode d'emploi. Si une vis se desserre ou tombe, le support de fixation murale peut tomber et provoquer des blessures ou des pertes matérielles.



- Lorsque vous fixez le support de fixation murale au téléviseur, assurez-vous d'utiliser les vis fournies avec le support de fixation murale. Les vis fournies sont conçues comme indiqué sur l'illustration lorsqu'elles sont mesurées à partir de la surface de fixation du support de fixation murale. Le diamètre et la longueur des vis varient selon le modèle du support de fixation murale. L'utilisation d'autres vis que celles qui sont fournies peut occasionner des dommages internes au téléviseur ou provoquer sa chute et d'autres dangers.

Reportez-vous à la page 22 (Utilisation du support de fixation murale fourni).

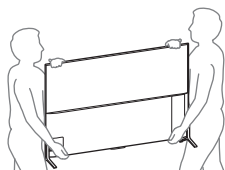
- Reportez-vous à la page 29 (Utilisation d'un support de fixation murale en option).
- Veillez à assembler correctement les supports en suivant la procédure expliquée dans ce mode d'emploi.
- Veillez à serrer fermement les vis dans la position prévue.
- Faites attention à ne pas exposer le téléviseur à des chocs pendant l'installation.
- Veillez à installer le téléviseur sur un mur plat et perpendiculaire.
- Lorsque le téléviseur est bien installé, fixez correctement les câbles.
- Ne pincez pas le cordon d'alimentation CA ou le câble de connexion car les conducteurs internes pourraient être exposés et provoquer un court-circuit ou une coupure de courant.



Avant d'installer votre téléviseur

Avec certains modèles de téléviseur, le support de table n'est pas fixé afin de vous permettre de monter directement le téléviseur au mur. Reportez-vous à la page 22 (Fixer le téléviseur au mur) si vous souhaitez installer ce téléviseur au mur. Si vous ne comptez pas installer le téléviseur au mur, vous devez installer le support de table. Vous aurez besoin d'un tournevis Phillips (non fourni) et des vis fournies pour compléter cette tâche. Reportez-vous au feuillet d'instructions du support de table fourni. Tenez compte de ce qui suit pendant l'installation du téléviseur :

- Débranchez tous les câbles avant de transporter le téléviseur.
- Transportez le téléviseur avec le nombre de personnes approprié; un téléviseur de grande taille doit être transporté par au moins deux personnes.
- Pour éviter de glisser et de subir des blessures, ne marchez pas sur le sac de protection du téléviseur pendant le déballage du téléviseur.
- Veillez à ce qu'aucun enfant ne se trouve à proximité lors de l'installation du support de table.
- Lors du transport du téléviseur, le bon emplacement des mains est très important pour votre sécurité, ainsi que pour éviter de causer des dommages.



- Assurez-vous que le téléviseur est entouré d'une ventilation adéquate; reportez-vous à la page 31.
- Pour obtenir une qualité d'image optimale, n'exposez pas l'écran à la lumière directe d'une lampe ou du soleil.
- Évitez d'installer le téléviseur dans une pièce dont le sol et les murs sont d'un matériau réfléchissant.
- Évitez de déplacer le téléviseur d'un endroit froid à un endroit chaud. Un changement soudain de température peut provoquer de la condensation. Ce phénomène peut affecter la qualité de l'image et/ou des couleurs affichées par le téléviseur. Si cela se produit, laissez la condensation s'évaporer complètement avant de mettre le téléviseur sous tension.

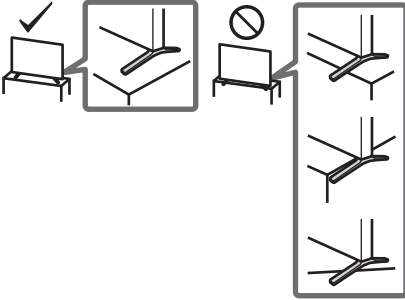
Fixer le téléviseur



Sony recommande fortement de prendre les mesures nécessaires pour prévenir le basculement du téléviseur. Des téléviseurs qui ne sont pas fixés solidement peuvent basculer et entraîner des dommages matériels, des blessures corporelles graves ou même mortelles.

Prévenir le basculement du téléviseur

- Fixer solidement le téléviseur à un mur et/ou à un support.
- Ne pas laisser les enfants jouer ou monter sur les meubles et les téléviseurs.
- Éviter de placer ou d'accrocher des objets sur le téléviseur.
- Ne jamais installer le téléviseur sur :
 - des surfaces glissantes, instables et/ou inégales.
 - un meuble qui peut facilement servir d'escalier, comme une commode à tiroirs.
- Installer le téléviseur où il ne peut pas être tiré, poussé ou renversé.
- Installer le téléviseur de manière à ce que le support de table du téléviseur ne dépasse pas du socle de téléviseur (non fourni). Si le support de table dépasse du socle de téléviseur, il pourrait faire basculer ou tomber le téléviseur, ce qui risque de causer des blessures ou des dommages au téléviseur.



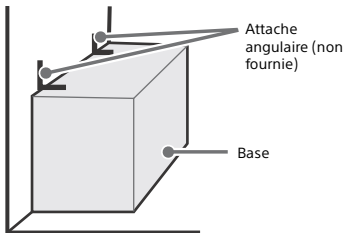
- Acheminer les cordons d'alimentation CA et les cordons connecteurs afin qu'ils ne soient pas accessibles aux enfants curieux.

Mesures recommandées pour fixer solidement le téléviseur

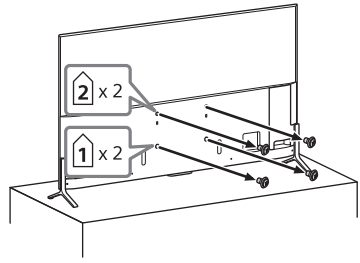
Tenez compte des mesures suivantes lorsque vous fixez votre téléviseur à une base (non fournie).

1 Fixer solidement la base du téléviseur.

- Assurez-vous que la base peut supporter adéquatement le poids du téléviseur. Utiliser deux attaches angulaires (non fournies) pour fixer solidement la base. Avec chaque attache angulaire, utiliser la quincaillerie appropriée pour :
- Fixer un côté de l'attache angulaire au poteau mural.
 - Fixer l'autre côté à la base.



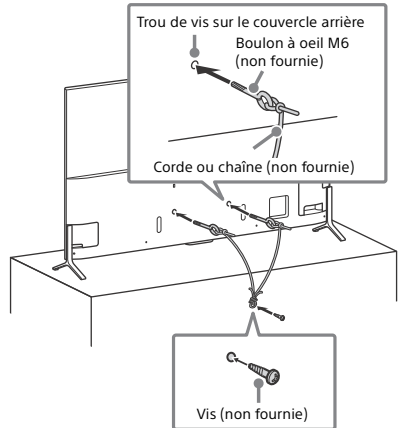
2 Retirez les vis à l'arrière du téléviseur.



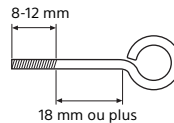
3 Fixer solidement le téléviseur à la base.

Utiliser la quincaillerie optionnelle mentionnée (non fournie) :

- Boulon à oeil M6 (vissée sur le couvercle arrière du téléviseur)
- Une vis ou l'équivalent (la fixer à la base)
- Une corde ou une chaîne (assez solide pour supporter le poids du téléviseur). Vous assurer qu'il n'y a pas de mou excessif dans la corde ou la chaîne.

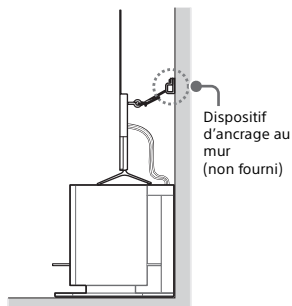
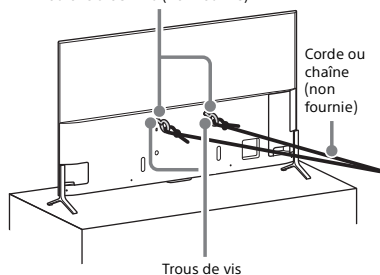


La longueur de la vis à métal M6 varie en fonction du diamètre de la corde ou de la chaîne. Veuillez voir l'illustration ci-dessous.

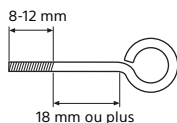


- 4 Fixez le téléviseur au mur avec des boulons, un dispositif d'ancrage au mur et une chaîne (ou une corde).

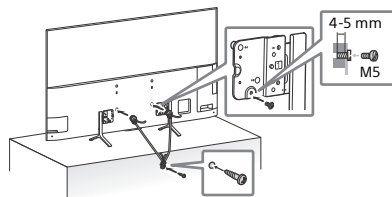
Boulons à œil M6 (non fournis)



Veillez consulter l'illustration ci-dessous pour connaître la longueur du boulon à œil M6.



Utilisez la corde ou la chaîne pour fixer le support de table à la position du milieu, voir les pages 14 et 15.



Remarques

- À la livraison de votre téléviseur, selon le modèle, les vis sont fixées à l'arrière du téléviseur. (Elles sont fixées dans les orifices servant au montage mural.) Veillez à retirer les 2 vis du haut avant de fixer le téléviseur à un mur.
- Fixer le téléviseur à la base sans fixer solidement le téléviseur et la base au mur fournit une protection minimale contre le basculement du téléviseur. Pour une protection additionnelle, suivre toutes les trois mesures recommandées ci-dessus.

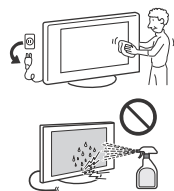
Précautions

Entretien de votre téléviseur BRAVIA

La sécurité étant de première importance, veuillez lire la documentation de sécurité (Feuillelet de consignes de sécurité) fournie séparément et vous y conformer.

Débranchez le téléviseur et les appareils raccordés de la prise de courant avant de nettoyer le téléviseur.

- Essayez l'écran ACL délicatement à l'aide d'un chiffon doux.
- Les taches tenaces peuvent être enlevées à l'aide d'un chiffon légèrement imbibé d'une solution de savon doux et d'eau tiède.
- Si vous utilisez un chiffon prétraité avec un produit chimique, suivez bien les directives indiquées sur l'emballage.
- Ne vaporisez jamais d'eau ou de détergent directement sur le téléviseur. Le liquide pourrait couler au bas de l'écran ou sur les parties extérieures, voire pénétrer dans le téléviseur et l'endommager.
- N'utilisez jamais de solvants corrosifs tels qu'un diluant, de l'alcool ou du benzène pour nettoyer l'appareil.
- Attendez que l'humidité laissée par le nettoyage se soit évaporée avant de rebrancher le téléviseur dans la prise de courant.
- Ne touchez pas au téléviseur si votre main est couverte d'une substance chimique quelconque, telle que de la crème pour les mains ou un écran solaire.



Le téléviseur doit aussi être placé sur une surface stable afin de prévenir son basculement (consultez la page 5). Si vous avez des enfants ou des animaux domestiques, vérifiez régulièrement que le téléviseur est fixé solidement pour une utilisation en toute sécurité.

SUPPORT DE FIXATION MURALE

- Si vous laissez le téléviseur longtemps installé sur le support de fixation murale, le mur se trouvant derrière ou au-dessus du téléviseur peut se décolorer, ou le papier peint peut se décoller, selon le matériau du mur.
- Si vous enlevez le support de fixation murale après l'avoir installé au mur, les trous de vis seront toujours présents.
- N'utilisez pas le support de fixation murale à un endroit soumis à des vibrations mécaniques.

Fonctionnalités de l'expérience télévision BRAVIA^{MD} en 4K

Nous vous remercions d'avoir choisi Sony!
 Votre nouveau téléviseur BRAVIA^{MD} est la clé d'une « expérience télévision en 4K ».
 Le présent document vous aidera à préparer votre nouveau téléviseur pour l'utilisation.
 Prenez quelques instants pour compléter l'enregistrement de votre téléviseur à l'adresse suivante :

Canada :

<http://www.sony.ca/fr/registration>

États-Unis :

<http://productregistration.sony.com>

Les quatre éléments d'une expérience télévision en 4K

Le téléviseur, la source, le son et la configuration.

1 Téléviseur

Maintenant que vous avez choisi la meilleure technologie qui soit en matière de téléviseurs ACL rétro-éclairés par DEL, veuillez à retirer tous les accessoires de l'emballage avant d'installer votre téléviseur.

2 Source

Pour faire l'expérience du niveau de détail incroyable qu'offre votre téléviseur BRAVIA, vous devez vous abonner au service de télévision haute définition.

- Obtenez un signal ou une source en haute définition (4K) en communiquant avec votre fournisseur de services HD.

Ce téléviseur affiche tous les types de format d'image en résolution de 3 840 points × 2 160 lignes.

- Donnez vie à la résolution époustouflante de votre téléviseur Sony Ultra HD 4K avec le Lecteur Media Sony Ultra HD 4K. (La disponibilité dépend des régions)
- Recevez des émissions en HD diffusées sur les ondes par l'intermédiaire d'une antenne de qualité HD branchée directement à l'arrière du téléviseur. Visitez le site <http://www.antennaweb.org> pour plus de renseignements sur le choix et l'installation d'une antenne.
- Découvrez tout un monde de divertissement maintenant offert en super-haute définition sur les lecteurs Blu-ray Disc^{MC} et autres appareils HD de Sony.

3 Son

Complétez l'expérience haute définition avec une chaîne de cinéma maison ambiophonique BRAVIA Sync^{MC} ou un récepteur audio-vidéo de Sony.

4 Configuration






Installez votre téléviseur et raccordez vos sources de signal. Reportez-vous à la page 16 pour des exemples de schémas de connexion. Pour vous aider à obtenir la meilleure qualité d'image possible lors de votre expérience 4K, utilisez des câbles HDMI (High-Definition Multimedia Interface) de Sony.

Pour en savoir plus sur la télévision HD, visitez :

Canada : <http://www.sony.ca/fr/hdtv>

États-Unis : <http://www.sony.com/HDTV>

Le tableau ci-dessous indique les formats de haute définition (HD) et de définition standard (SD) pris en charge par les entrées de votre téléviseur BRAVIA.

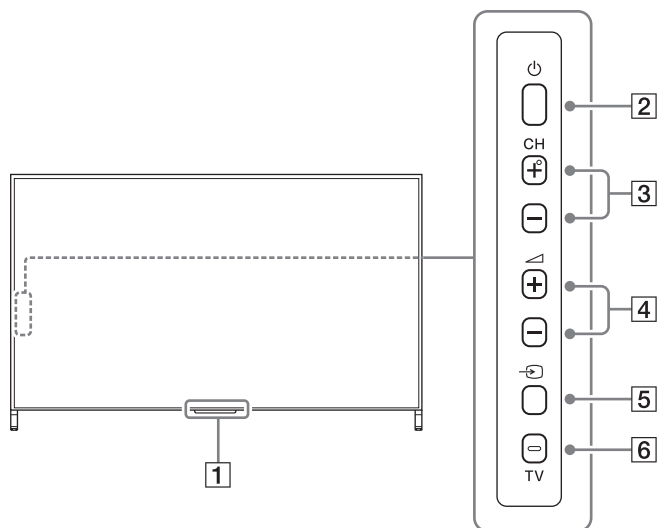
	ENTRÉE	VIDÉO	AUDIO	Formats pris en charge									
				4K ^{*1}	1080/24p/30p	1080p ^{*1}	1080i	720/24p/30p	720p ^{*1}	480p	480i	PC ^{*2}	
4K/HD	HDMI			✓	✓	✓	✓	✓	✓	✓	✓	✓	✓
	Composant	 Y P _B P _R	 Prise audio L/R (G/D)			✓	✓		✓	✓	✓		
SD	Vidéo	 Connexion vidéo composite	 Prise audio L/R (G/D)									✓	

*1 Pour plus de détails sur les formats pris en charge, reportez-vous à la section « Spécifications » de ce manuel.

*2 Pour connaître les formats de signal pris en charge en provenance d'un ordinateur, reportez-vous au Manuel d'aide.

Pièces et commandes

Commandes et indicateurs




1 Capteur de télécommande* /
Capteur de lumière* / DEL
d'éclairage / Émetteur de
synchronisation 3D (XBR-75X910C
seulement)*

La DEL d'éclairage s'allume ou clignote en fonction de l'état du téléviseur.

- Blanc
Lors de la mise en marche du téléviseur/l'utilisation du mode sans image/la mise à jour du logiciel, etc.
- Cyan
Lors de la connexion sans fil avec un appareil mobile.
- Ambre
La minuterie est réglée.

2  (Alimentation)

3 CH +/- (Canal)

4  +/- (Volume)

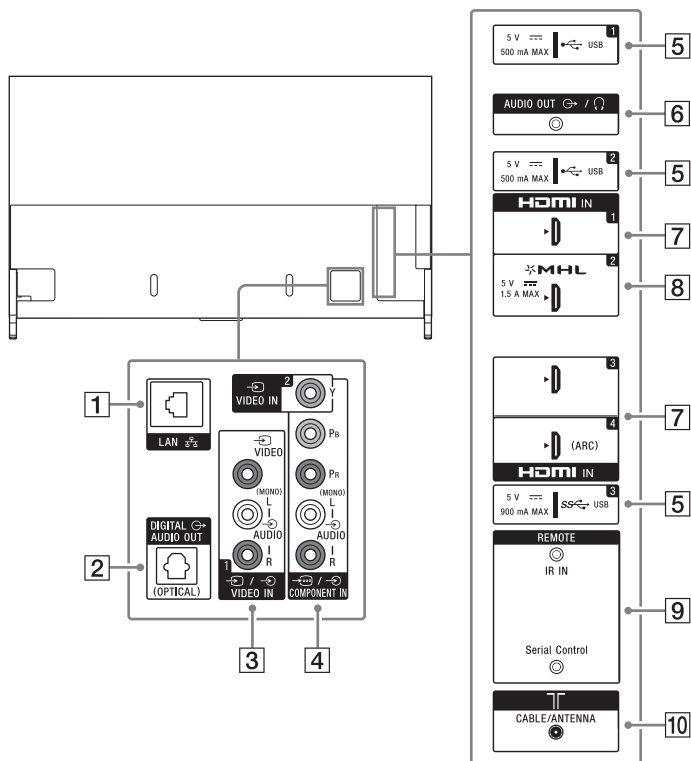
5  (Sélection d'entrée)

Permet d'afficher et de sélectionner la source d'entrée.

6 TV

Permet de passer à un canal ou une entrée du téléviseur à partir des autres applications.

* Ne placez aucun objet près du capteur.



1 LAN

2 DIGITAL AUDIO OUT (OPTICAL)

3 VIDEO IN 1

Pour un raccordement composite*.

4 VIDEO IN 2, COMPONENT IN

- Pour un raccordement composite : Utilisez VIDEO IN et (L/R) de COMPONENT IN*.
- Pour un raccordement composante : Utilisez Y, Pb, Pr, et (L/R).

5 (USB 1/2), (USB 3)

- Le raccordement d'un appareil USB de grande taille pourrait interférer avec les autres appareils raccordés à proximité.
- Lors du raccordement d'un appareil USB de grande taille, effectuez le raccordement à la prise USB 1.

6 AUDIO OUT

- Pour écouter le son du téléviseur à l'aide de l'appareil raccordé, appuyez sur **HOME**. Sélectionnez [Paramètres] → [Son] → [Écouteurs/sortie audio], puis sélectionnez l'élément souhaité.

7 HDMI IN 1/3/4

- Si vous raccordez un système audio numérique compatible avec la technologie Audio Return Channel (ARC), utilisez la prise HDMI IN 4. Sinon, vous devez effectuer une connexion supplémentaire à l'aide de la prise DIGITAL AUDIO OUT (OPTICAL).

8 HDMI IN 2/MHL

- Vous pouvez raccorder votre appareil MHL (Mobile High-definition Link) à l'aide d'un câble MHL de qualité HD.

9 REMOTE IR IN

REMOTE Serial Control

- Ces prises servent à recevoir le signal de contrôle externe. Elles permettent le contrôle étendu du téléviseur à l'aide d'une liaison RS232C via les prises IR IN et Serial Control.

IR IN : Raccordez à la borne de sortie IR du contrôleur domestique.

Serial Control : Raccordez à la borne RS232C du contrôleur domestique.

- Assurez-vous de ne pas effectuer le raccordement à un casque d'écoute ou un système audio externe.
- Si l'option [Commande RS232C] est réglée à [Oui], l'option [Réglages de BRAVIA Sync] n'est pas disponible.

10 CABLE/ANTENNA

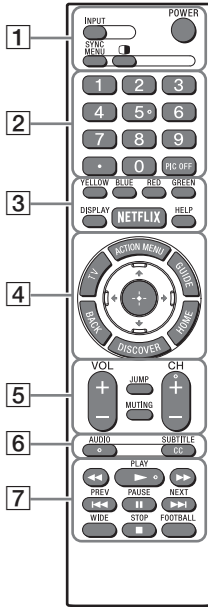
Raccordez à la câblodistribution ou une antenne.

* Lors du raccordement d'un appareil mono, utilisez la prise audio L (MONO).

Utilisation de la télécommande

Description des pièces de la télécommande

Télécommande IR (infrarouge)



1 INPUT

Permet d'afficher et de sélectionner la source d'entrée.

POWER/⏻

Permet d'allumer ou éteindre le téléviseur (mode de veille).

SYNC MENU

Affiche le menu BRAVIA Sync.

📺 (Image jumelle/PIP)*1*2

Affiche deux images simultanément.

2 Touches numériques

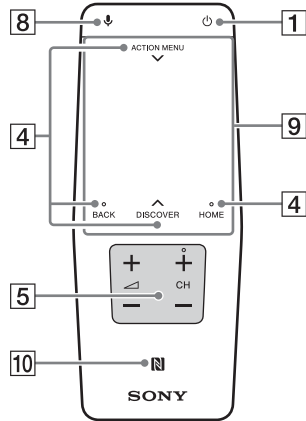


Utilisez cette touche avec les touches 0-9 pour sélectionner des canaux numériques.

PIC OFF*2

Permet de désactiver l'image tout en maintenant le son activé.

Télécommande à pavé tactile



3 Touches de couleur

Permet d'exécuter la fonction correspondante à ce moment.

DISPLAY

Affiche des informations sur le canal/l'émission/l'entrée que vous regardez.

NETFLIX

Permet d'accéder au service « NETFLIX » en ligne.

HELP

Affiche le menu d'Aide.

4 ACTION MENU

Affiche une liste de fonctions contextuelles.

Vous pouvez également l'afficher en faisant glisser votre doigt vers le bas à partir du **ACTION MENU** sur la télécommande à pavé tactile.

TV

Permet de passer à un canal ou une entrée du TV à partir des autres applications.

GUIDE*1

Affiche le guide des programmes numérique.

BACK

Permet de retourner à l'écran précédent.

HOME

Affiche le menu d'accueil du TV.

DISCOVER

Ouvre la Barre de contenu pour rechercher un contenu.

Vous pouvez également lancer la barre de contenu en faisant glisser votre doigt vers le haut à partir de **DISCOVER** sur la télécommande à pavé tactile.

↕/↔/↔/↔/⊕ (Sélection d'élément/ Entrer)

5 VOL +/- (Volume)

Permet de régler le volume.

JUMP

Permet d'alterner entre deux canaux ou entrées. Le téléviseur alterne entre le canal ou l'entrée en cours et le dernier canal ou entrée que vous avez sélectionné.

MUTING

Permet de couper le son. Appuyez de nouveau pour rétablir le son.

CH +/- (Canal)

Permet de sélectionner le canal.

6 AUDIO

Permet de changer la langue de l'émission en cours de visionnement.

CC/SUBTITLE

Active ou désactive les sous-titres (lorsque la fonction est disponible).

7 ◀◀/▶▶/▶▶/▶▶/▶▶/▶▶/▶▶/▶▶

Permet de faire fonctionner les contenus média sur le téléviseur et l'appareil compatible BRAVIA Sync raccordé.

WIDE

Permet de changer le format de l'écran.

FOOTBALL

Active ou désactive le Live Football Mode (lorsque la fonction est disponible).

8 🗣️ (Micro)

Permet d'utiliser la fonction vocale. (p. ex., recherche de divers contenus à l'aide de la voix.)

9 Pavé tactile

Faites fonctionner le téléviseur à l'aide du pavé tactile.

10 📶 (NFC)

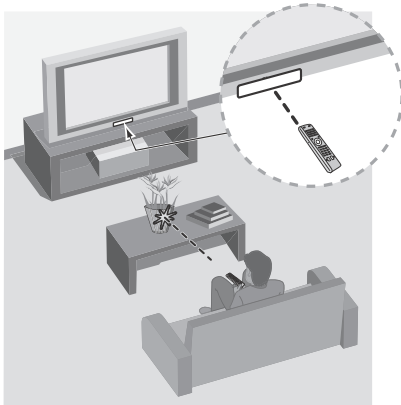
Touchez l'appareil (p. ex., certains modèles de Xperia) correspondant à la fonction de mise en miroir à une seule touche, puis son écran s'affichera sur le téléviseur.

*1 L'emplacement, la disponibilité et la fonction des touches de la télécommande peuvent varier selon votre pays ou région ou le modèle de votre téléviseur.

*2 La fonction Image jumelle/PIC OFF sera disponible à partir de juillet 2015. Vous recevrez automatiquement la fonction Image jumelle/PIC OFF sous forme de mise à jour du logiciel via réseau. Assurez-vous que votre téléviseur est connecté à Internet. Si vous ne disposez pas d'une connexion réseau, vous pourrez télécharger le logiciel à partir du site Web d'assistance de Sony en utilisant votre ordinateur. Pour plus de détails sur la manière d'effectuer la mise à jour, veuillez visiter le site Web d'assistance de Sony.

Directives pour la télécommande IR

- Pointez la télécommande en direction du capteur infrarouge du téléviseur.
- Assurez-vous qu'aucun objet ne se trouve entre la télécommande et le capteur infrarouge.

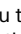


- Les lampes fluorescentes peuvent perturber le fonctionnement de votre télécommande; le cas échéant, éteignez les lampes fluorescentes dans la pièce.
- Si vous éprouvez des difficultés avec la télécommande, réinsérez ou remplacez les piles et assurez-vous qu'elles sont correctement placées dans le logement.

Utilisation de la télécommande à pavé tactile

Vous pouvez utiliser la télécommande à pavé tactile uniquement après l'avoir jumelée avec le téléviseur.

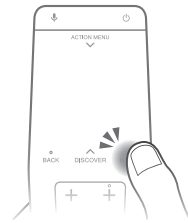
Pour la jumeler, suivez les instructions de l'écran de jumelage.

Vous pouvez afficher l'écran de jumelage en appuyant sur la touche  du téléviseur pendant 5 secondes ou en sélectionnant [Paramètres] - [Réglages de la télécom. à pavé tactile] - [Coupler la télécom. à pavé tactile].

FR

Lancement de l'introduction/du didacticiel de la télécommande à pavé tactile

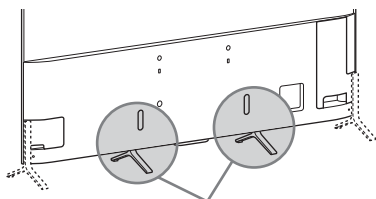
- 1 Appuyez sur HOME.



- 2 Sélectionnez [Paramètres] - [Réglages de la télécom. à pavé tactile] - [Commencer l'intro./tutoriel].

Fixer le support de table (Alternative)

Vous pouvez faire passer le support de table de la position limite à l'intermédiaire en vous reportant aux instructions ci-dessous.



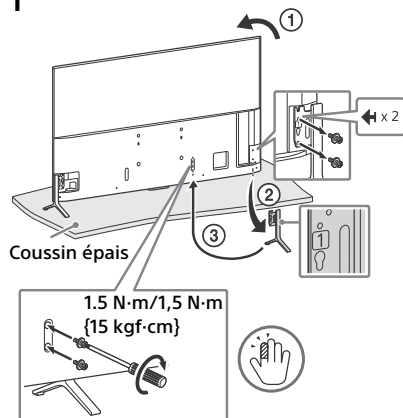
Position intermédiaire

Remarques

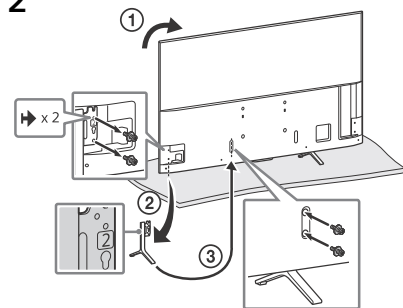
- Au moins deux personnes sont requises pour effectuer cette installation.
- Veillez à ne pas vous coincer les doigts pendant l'installation.

XBR-75X910C/65X900C

1

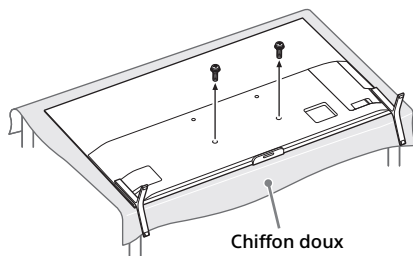


2

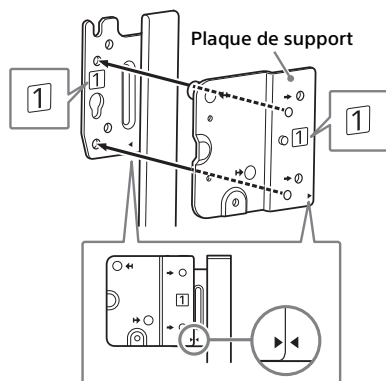


XBR-55X900C

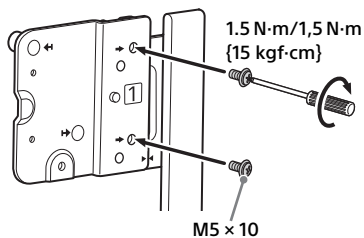
- 1 Retirez les vis inférieures, puis enlevez un support de table.



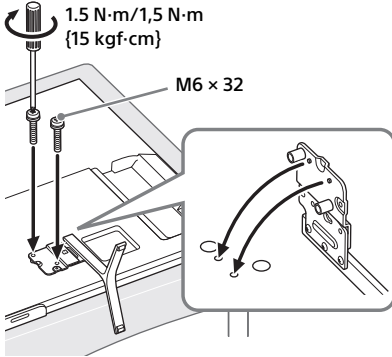
- 2 Installez la plaque de support (fournie avec le téléviseur) sur le support de table enlevé.



- 3 Fixez la plaque de support au support de table à l'aide des vis (M5x10) (fournies avec le téléviseur).

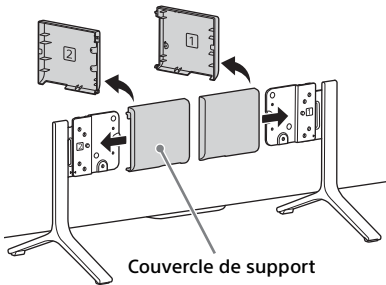


- 4** Installez le support de table avec la plaque de support à la position centrale, puis fixez-le à l'aide des vis (M6x32) (fournies avec le téléviseur.)



- 5** Suivez la même procédure pour l'autre côté du support de table.

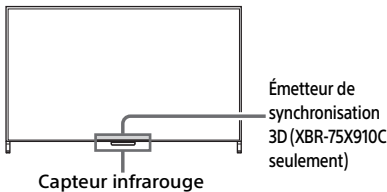
- 6** Installez les couvercles de support (fournis avec le téléviseur.)



Couvercle de support

Remarque

- Deux personnes ou plus sont nécessaires pour effectuer cette installation.
- Assurez-vous qu'aucun objet ne se trouve devant le téléviseur.

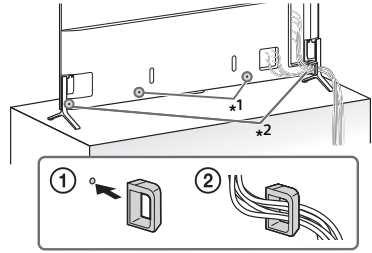


Émetteur de synchronisation 3D (XBR-75X910C seulement)

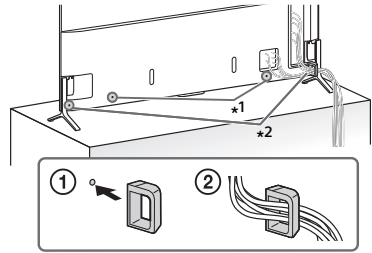
Capteur infrarouge

Regrouper les câbles

XBR-75X910C/65X900C



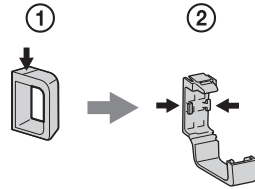
XBR-55X900C



- *1 Emplacement du serre-fil du câble lorsque le Support de table est fixé à l'intermédiaire.
- *2 Emplacement du serre-fil du câble lorsque le Support de table est fixé à l'limite.

Remarque

- Pour enlever le serre-fils du câble du téléviseur, appuyez la partie supérieure du serre-fils ①, puis pincez ② comme indiqué à l'image.



Raccorder le téléviseur

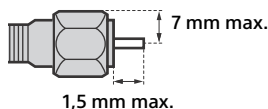
Pour plus d'informations sur les raccordements, reportez-vous au Manuel d'aide.

Remarques

- Lorsque vous branchez le câble au Câble / Antenne, serrez-le à la main uniquement, car serrer excessivement la connexion peut endommager le téléviseur.
- Pour le FMP-X1, raccordez-le uniquement à la prise HDMI IN 2 (la disponibilité varie selon la région).
- Pour sélectionner un appareil d'entrée raccordé au téléviseur, appuyez sur **INPUT**.

Recommandation pour une prise de type F

La partie saillante de la tige centrale du connecteur doit être de moins de 1,5 mm.



(Schéma de référence pour une prise de type F)

Pour installer le couvercle des terminaux

Après le raccordement des câbles, installez le couvercle des terminaux.

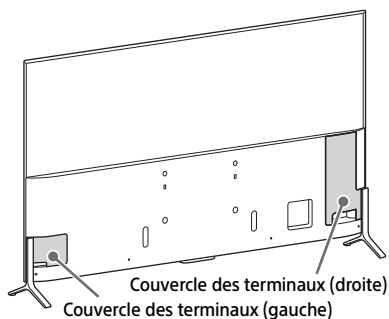


Illustration d'une boîte numérique avec la connexion HDMI

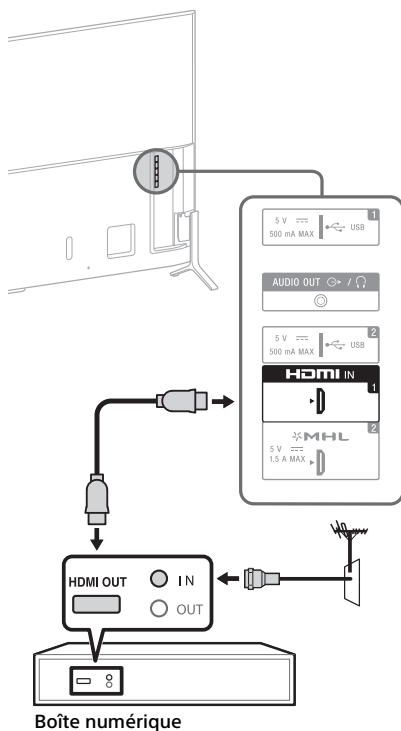
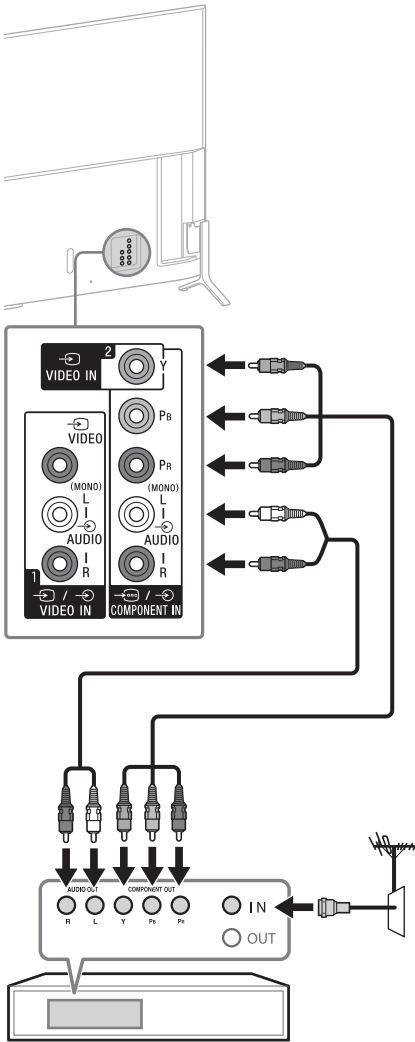
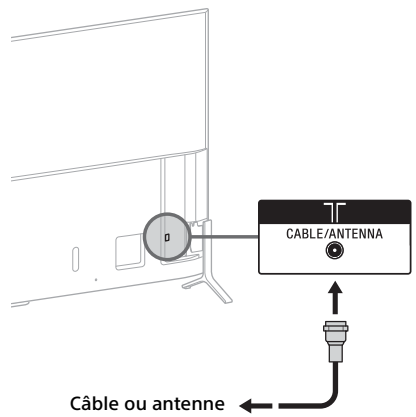


Illustration d'une boîte numérique avec la connexion COMPONENT



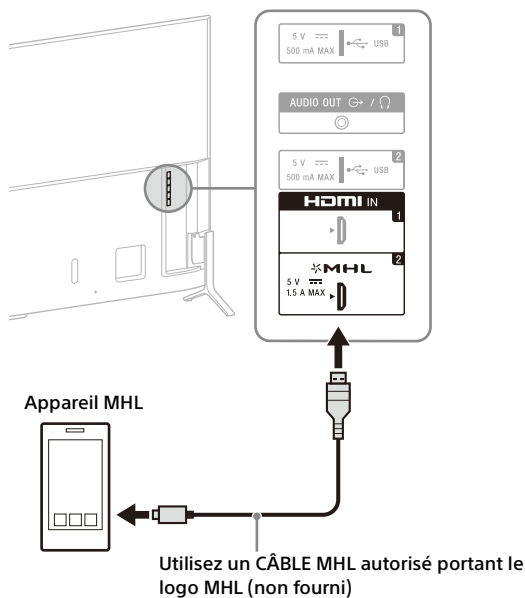
Boîte numérique

Système câblé ou avec antenne VHF/UHF



FR

Raccordement d'un appareil MHL

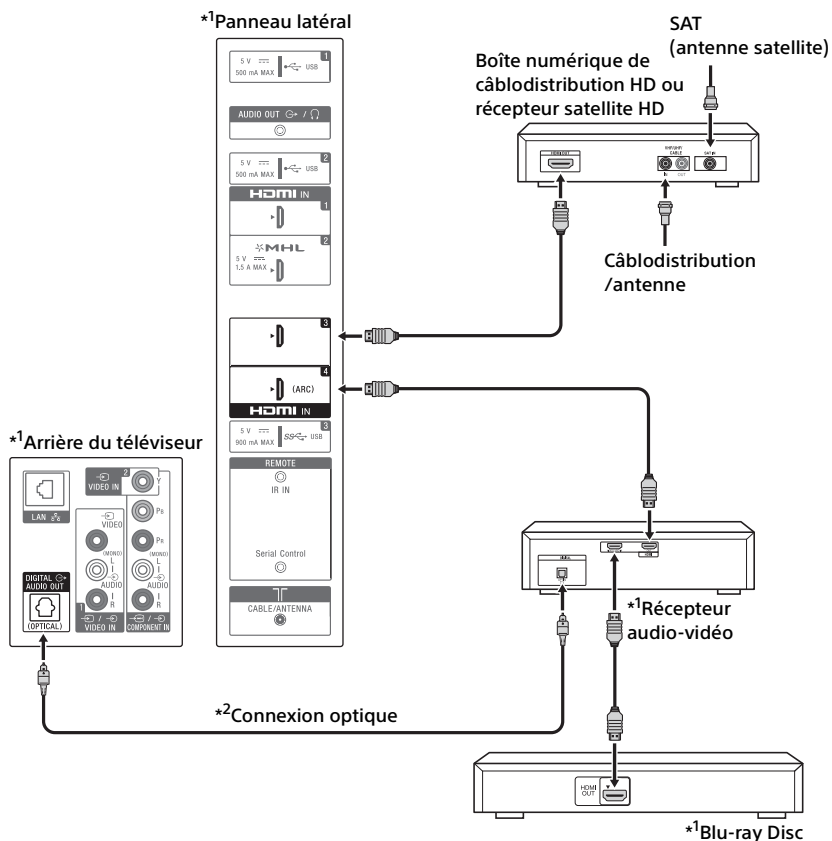


Le téléviseur charge simultanément l'appareil connecté compatible MHL tout en lisant les photos / la musique / les fichiers vidéo. La télécommande du téléviseur peut être utilisée pour contrôler l'appareil connecté compatible avec la fonction MHL.

Remarques

- Si [Recharger l'appareil MHL à l'extinction] est réglé sur [Oui], vous pouvez continuer de charger l'appareil compatible avec la fonction MHL, y compris lorsque le téléviseur est en mode veille.
- Utilisez le câble MHL 3 avec le logo de MHL pour des téléphones intelligents 4K ou des appareils mobiles.

Illustration d'une connexion HD BRAVIA® Sync™ de base



FR

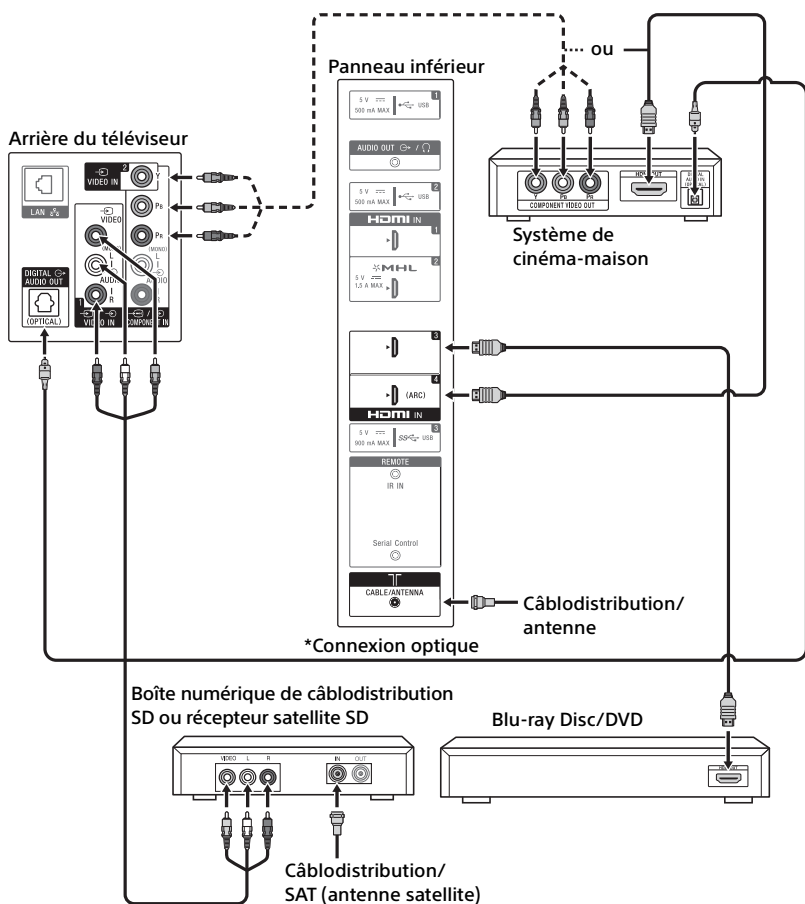
*1 Indique un appareil doté de la fonctionnalité BRAVIA Sync.

*2 La connexion optique est requise seulement lorsque le récepteur audio-vidéo n'est pas compatible ARC (Audio Return Channel).

Définissez les réglages d'enceinte sur sortie audio, appuyez sur **HOME**, puis sélectionnez [Paramètres] → [Son] → [Haut-parleurs] → [Système audio].

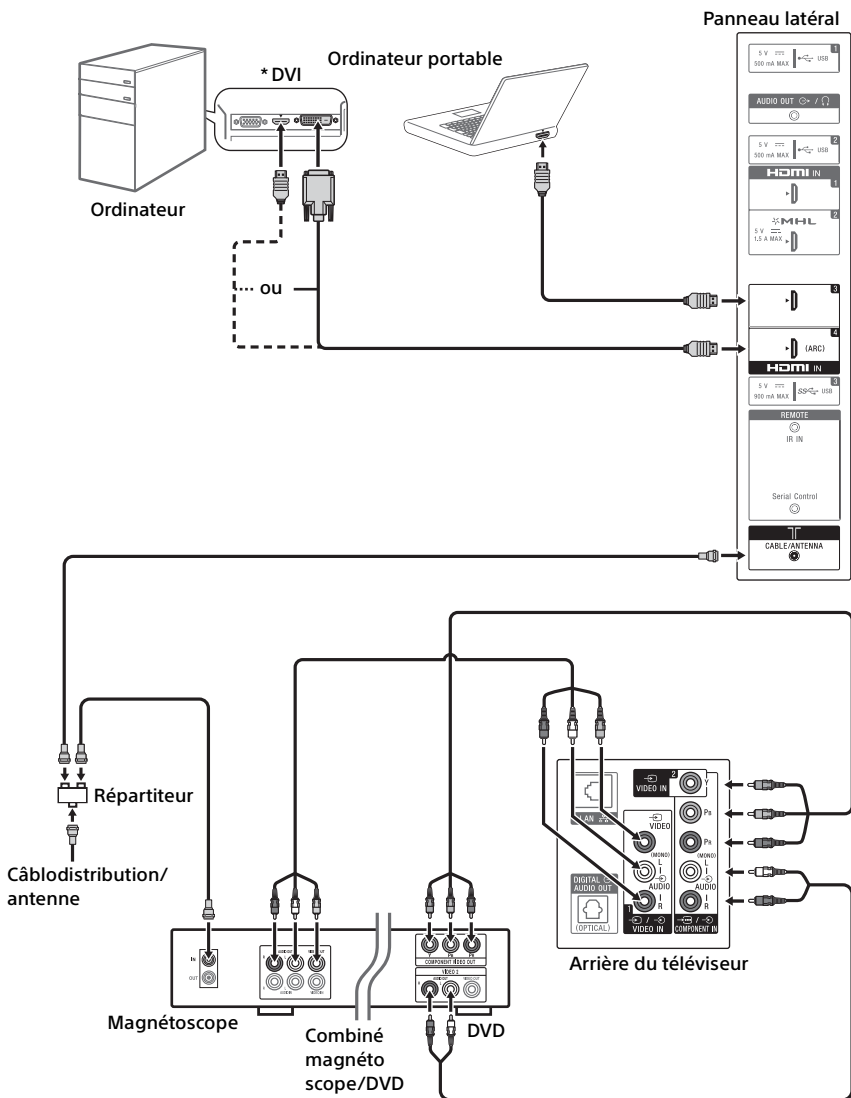
Définissez les réglages HDMI CEC sur le téléviseur et sur le récepteur audio-vidéo pour autoriser la commande audio du système et les connexions ARC.

Illustration d'une connexion HD de base avec un système de cinéma-maison



- * La connexion optique est requise seulement lorsque le système de cinéma-maison n'est pas compatible ARC (Audio Return Channel) et qu'il est connecté en HDMI. Définissez les réglages d'enceinte sur sortie audio, appuyez sur **HOME**, puis sélectionnez [Paramètres] → [Son] → [Haut-parleurs] → [Système audio]. Définissez les réglages HDMI CEC sur le téléviseur et sur le récepteur audio-vidéo pour autoriser la commande audio du système et les connexions ARC.

Illustré avec la connexion à un ordinateur avec un magnétoscope ou lecteur DVD à définition standard



* La prise DVI ne prend pas en charge les signaux audio. Connecter la sortie audio de l'ordinateur aux enceintes d'ordinateur ou à un récepteur audio-vidéo pour écouter le son de l'ordinateur.

Fixer le téléviseur au mur

Utilisation du support de fixation murale fourni

Note au consommateur

L'installation de ce produit nécessite une certaine compétence. Veuillez à confier l'installation à un détaillant Sony ou à un entrepreneur autorisé et portez une attention particulière à la sécurité pendant l'installation. Sony n'est pas responsable des dommages ou blessures provoquées par une mauvaise manipulation ou une mauvaise installation, ou par l'installation d'autres produits que ceux précisés. Vos droits légaux (le cas échéant) ne sont pas affectés.

Aux détaillants et entrepreneurs Sony

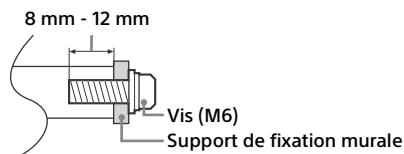
L'installation de ce produit nécessite une certaine compétence. Veuillez à lire attentivement le mode d'emploi pour installer le produit en toute sécurité. Sony n'est pas responsable des dommages ou blessures provoquées par une mauvaise manipulation ou une mauvaise installation.

Votre téléviseur peut être installé au mur avec un support de fixation murale (fournie avec le téléviseur) dès sa sortie de l'emballage.

Préparez le téléviseur pour l'installation du support de fixation murale avant d'effectuer le raccordement des câbles.

Pour des raisons de sécurité et de protection du produit, Sony recommande fortement que l'installation de votre téléviseur sur le mur soit effectuée par un professionnel qualifié. N'essayez pas de l'installer vous-même.

- Suivez le guide d'instructions fourni avec le support de fixation murale pour votre modèle. Une certaine expertise est nécessaire pour l'installation de ce téléviseur, en particulier en ce qui concerne la solidité du mur en relation avec le poids de l'appareil.
- La longueur des vis pour le support de fixation murale diffère selon l'épaisseur du support de fixation murale. Reportez-vous à l'illustration ci-dessous.

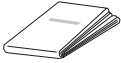


Remarque

- Lisez le Feuille de consignes d'utilisation et de sécurité fourni pour plus de renseignements sur l'utilisation en toute sécurité.
- Voir la pages 3 (Consignes de sécurité) et la pages 6 (Précautions) sur le SUPPORT DE FIXATION MURALE avant d'installer le support de fixation murale.
- Pour fixer de nouveau le support de table, veuillez à utiliser les vis (que vous avez enlevées précédemment) dans les mêmes orifices à l'arrière du téléviseur.

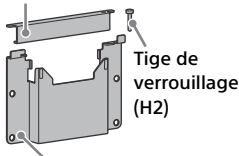
1 Préparez les éléments requis.
Accessoires de support de fixation murale (fournis)

Ⓐ Gabarit en papier



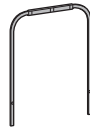
Ⓜ Support de fixation murale

Plaque de verrouillage (H1)

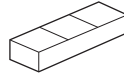


Support de fixation murale (H3)

Ⓝ Barre en forme de U



Ⓚ Coussin



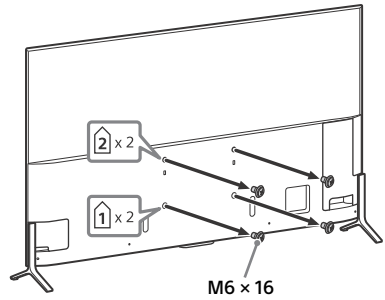
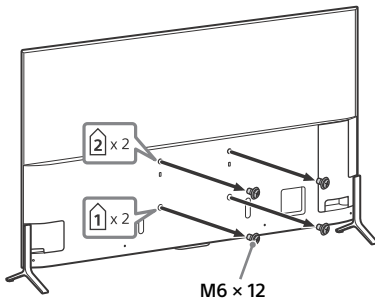
Ⓛ M6 x 20



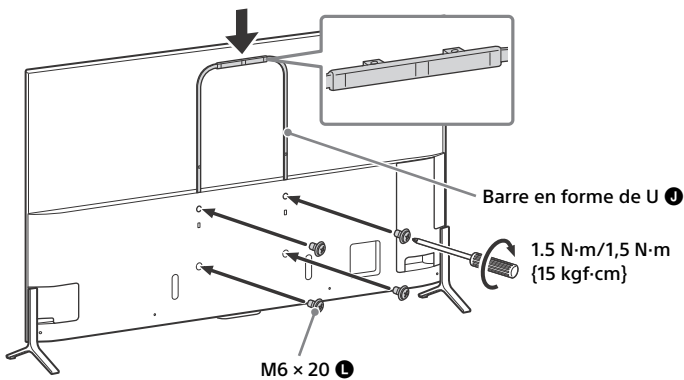
XBR-75X910C
seulement

Vis pour la support de fixation murale (8 mm de diamètre, non fournies) (4)

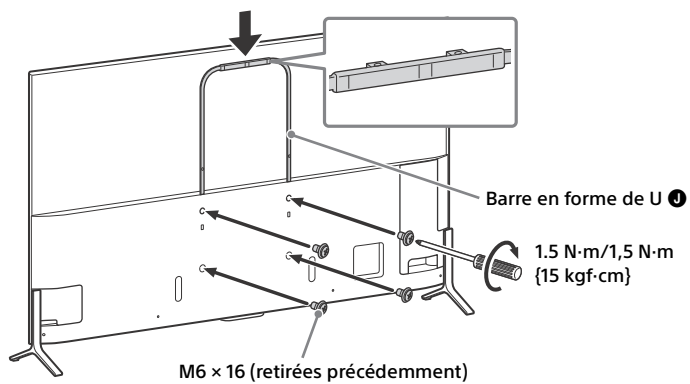
2 Retirez les vis à l'arrière du téléviseur avant de fixer la barre en forme de U.
XBR-75X910C XBR-65/55X900C



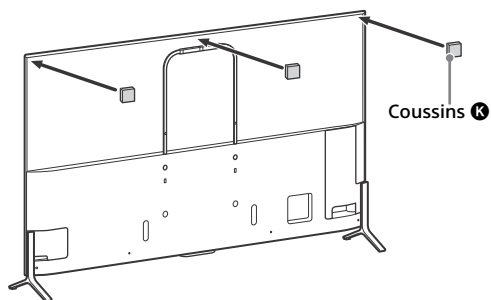
3 Fixez la barre en forme de U Ⓝ (fournie avec le téléviseur) à l'arrière du téléviseur.
XBR-75X910C



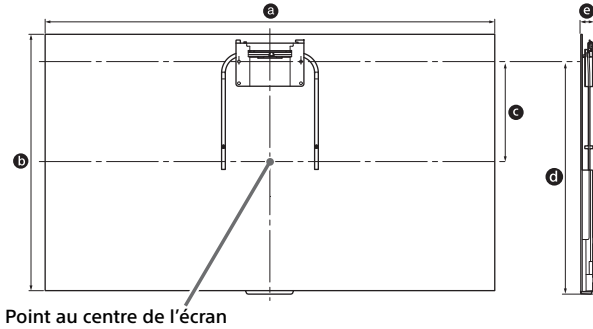
XBR-65/55X900C



4 Fixez les coussins ⑫ à l'arrière du téléviseur.



- 5 Assurez-vous que le mur est assez grand pour le téléviseur et qu'il est capable de supporter un poids au moins quatre fois supérieur à celui du téléviseur. Reportez-vous au tableau ci-après pour la fixation du téléviseur au mur. Pour connaître son poids, reportez-vous aux pages 33-36 (Spécifications).



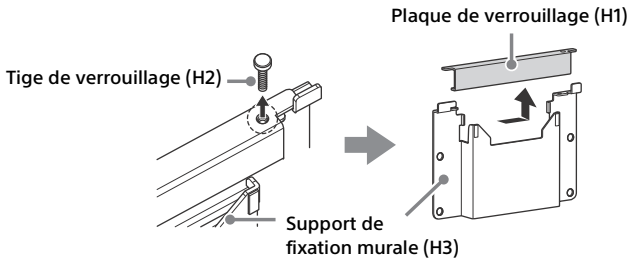
Unité : mm

Nom du modèle XBR-	Dimensions de l'écran		Dimension au centre de l'écran	Longueur pour le montage	
	a	b	c	d	e
75X910C	1 672	959	387	871	50
65X900C	1 451	835	325	747	40
55X900C	1 232	712	263	624	40

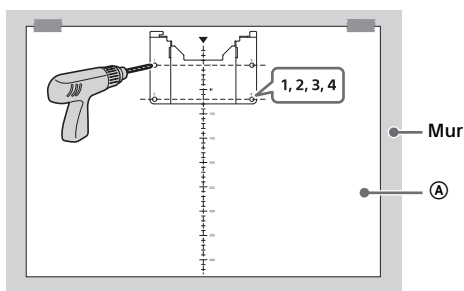
Remarque

- Les valeurs indiquées dans le tableau peuvent être légèrement différentes selon l'installation.

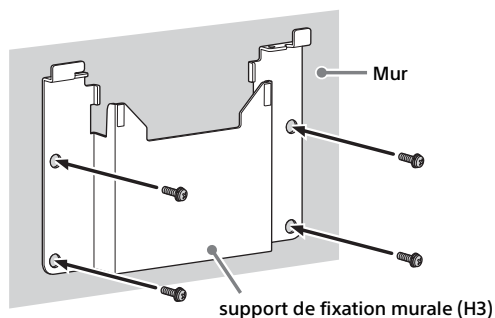
- 6 Tirez sur la tige de verrouillage (H2) et détachez la plaque de verrouillage (H1) du support de fixation murale (H3).



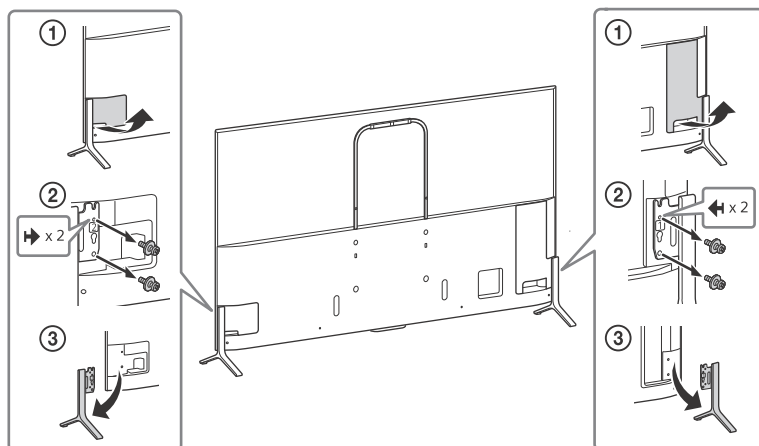
- 7** Collez le gabarit en papier **A** au mur en utilisant du ruban adhésif, puis percez les trous conformément à la numérotation sur le gabarit en papier **A** à l'aide d'une perceuse électrique.



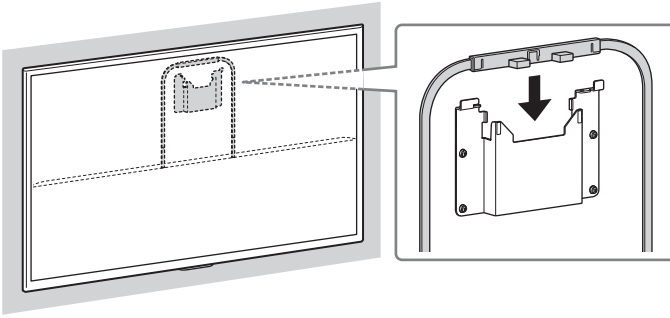
- 8** Retirez le gabarit en papier **A** du mur.
- 9** Fixez correctement la support de fixation murale (H3) au mur en utilisant les vis (8 mm de diamètre, non fournies).



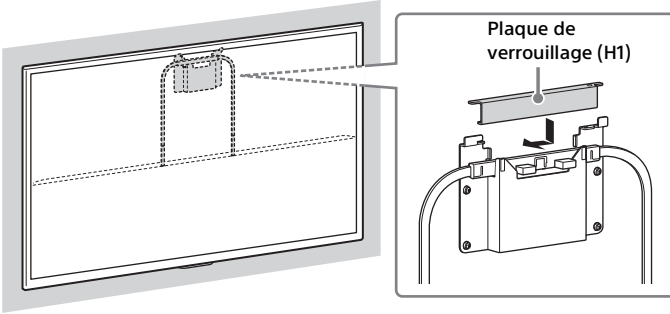
- 10** Retirez les couvercles des terminaux et détachez le support de table du téléviseur tout en tenant la partie inférieure du téléviseur.



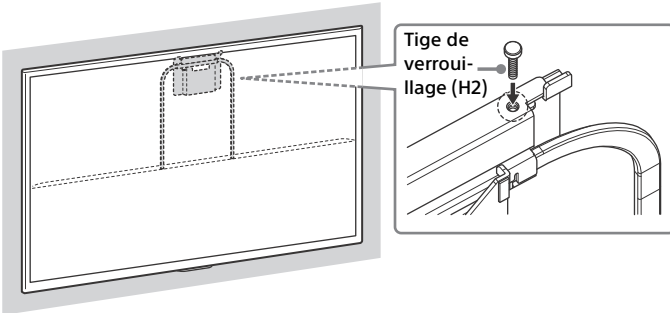
11 Suspendez la barre en forme de U au support de fixation murale sur le mur.



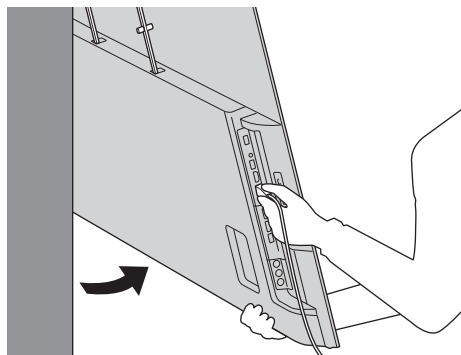
12 Installez la plaque de verrouillage (H1) (fournie avec le téléviseur).



13 Insérez la tige de verrouillage (H2) (fournie avec le téléviseur).

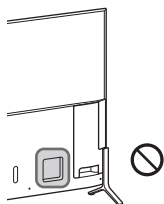


14 Raccordez les câbles au téléviseur en l'inclinant vers l'avant.



Remarque

- Deux personnes sont requises pour effectuer cette installation.
- Assurez-vous de bien fixer la barre en forme de U lorsque vous l'installez sur le téléviseur.
- Si vous utilisez un tournevis électrique, réglez le couple de serrage à environ 1,5 N·m (15 kgf·cm).
- Vous ne pouvez pas utiliser certaines des bornes à l'arrière du téléviseur lors de l'utilisation de ce style de montage.



Utilisation d'un support de fixation murale en option

Le mode d'emploi pour ce téléviseur ne montre que les étapes de préparation de l'installation du téléviseur avant de l'installer au mur.

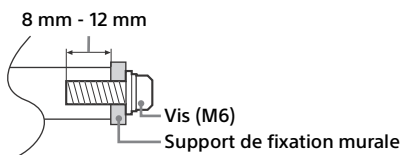
Votre téléviseur peut être installé au mur avec un support de fixation murale (non fourni) dès sa sortie de l'emballage. Il se peut que le support de table soit fixé au téléviseur; dans ce cas, vous devez d'abord démonter le support de table du téléviseur.

Préparez le téléviseur pour l'installation du support de fixation murale avant d'effectuer le raccordement des câbles.

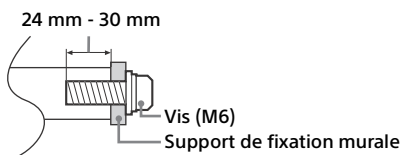
Pour des raisons de sécurité et de protection du produit, Sony recommande fortement que l'installation de votre téléviseur sur le mur soit effectuée par un professionnel qualifié. N'essayez pas de l'installer vous-même.

- Suivez le guide d'instructions fourni avec le support de fixation murale pour votre modèle. Une certaine expertise est nécessaire pour l'installation de ce téléviseur, en particulier en ce qui concerne la solidité du mur en relation avec le poids de l'appareil.
- La longueur des vis pour le support de fixation murale diffère selon l'épaisseur du support de fixation murale. Reportez-vous à l'illustration ci-dessous.

Trou de vis pour le support de fixation murale en option (Côté supérieur)



Trou de vis pour le support de fixation murale en option (Côté inférieur)



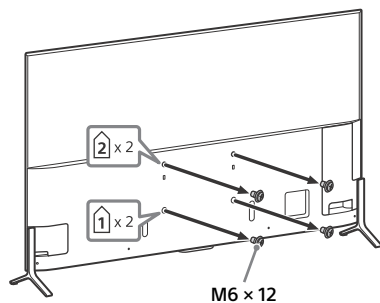
- Assurez-vous de ranger les vis non utilisées et le support de table dans un endroit sûr jusqu'à ce que vous soyez prêt à fixer le support de table. Garder les vis hors de la portée des jeunes enfants.

Remarque

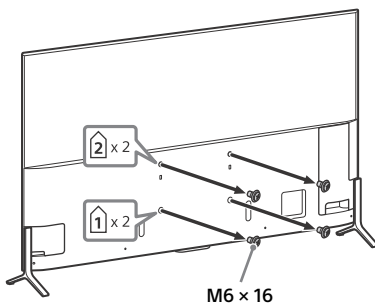
- Lisez le Feuille de consignes de sécurité fourni pour plus de renseignements sur l'utilisation en toute sécurité.

1 Retirez les vis à l'arrière du téléviseur avant de fixer la barre en forme de U.

XBR-75X910C

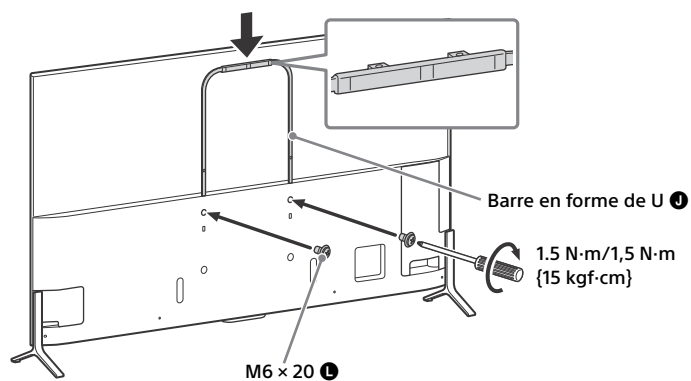


XBR-65/55X900C

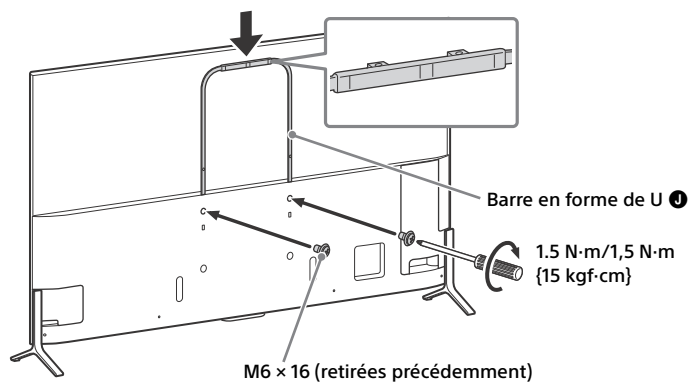


- 2 Fixez la barre en forme de U ❶ (fournie avec le téléviseur) à l'arrière du téléviseur.

XBR-75X910C



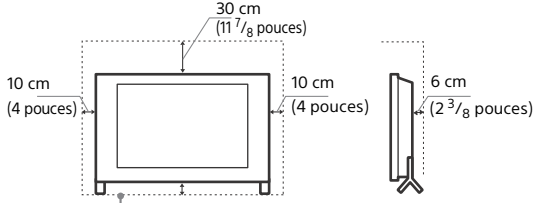
XBR-65/55X900C



Installation du téléviseur contre un mur ou dans un endroit fermé

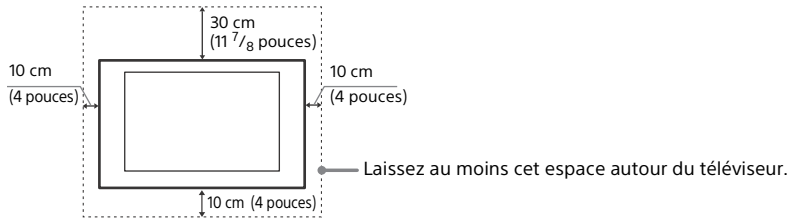
Assurez-vous que l'air circule adéquatement autour du téléviseur. Tel qu'illustré, laissez suffisamment d'espace autour du téléviseur.

Installation sur support



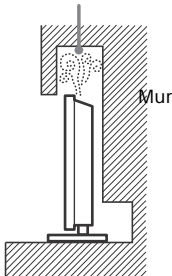
Ne placez aucun objet directement sous le téléviseur.

Installation au mur

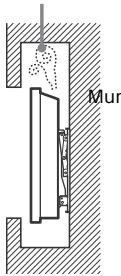


N'installez jamais le téléviseur de la manière suivante :

La circulation d'air est bloquée.



La circulation d'air est bloquée.



Remarques

- Une ventilation inadéquate peut faire surchauffer le téléviseur et causer des dommages ou déclencher un incendie.
- Ne placez aucun objet directement sous le téléviseur.

Dépannage

Afin de maintenir à jour le logiciel de votre téléviseur, il est nécessaire de télécharger les informations de logiciel les plus récentes via le système de diffusion numérique ou internet, pour ensuite mettre à jour le logiciel. Sélectionnez [Mettre à niveau] pour démarrer une mise à jour du logiciel. La DEL d'éclairage clignote en blanc pendant la mise à jour du logiciel. Ne débranchez pas le cordon d'alimentation CA pendant la mise à jour du logiciel. Sinon, la mise à jour du logiciel pourrait ne pas s'effectuer complètement, ce qui risquerait de causer un problème de fonctionnement du logiciel. Les mises à jour du logiciel peuvent prendre jusqu'à 30 minutes. Si vous ne souhaitez pas mettre à jour le logiciel automatiquement, appuyez sur **HOME** et sélectionnez [Aide] → [Mise à jour du logiciel] → [Téléchargement auto du logiciel] → [Non].

Lorsque vous branchez le téléviseur, le téléviseur pourrait ne pas s'allumer pendant un moment même si vous appuyez sur la touche d'alimentation de la télécommande ou du téléviseur, car l'initialisation du système prend quelques instants. Attendez environ une minute, puis faites-le fonctionner de nouveau. Lorsque vous l'allumez en appuyant sur la touche d'alimentation de la télécommande ou du téléviseur, il faut un certain temps pour que la DEL d'éclairage s'allume et que la télécommande fonctionne.

Lorsque la DEL d'éclairage clignote en rouge, comptez combien de fois il clignote (un intervalle de 3 secondes entre les clignotements).

Si la DEL d'éclairage clignote en rouge, réinitialisez le téléviseur en débranchant le cordon d'alimentation CA pendant deux minutes, puis allumez le téléviseur.


Si le problème persiste, contactez le Service à la clientèle Sony (coordonnées indiquées sur la couverture de ce document) en indiquant le nombre de fois que la DEL d'éclairage clignote en rouge (l'intervalle de temps est de 3 secondes). Débranchez le cordon d'alimentation CA puis communiquez avec le service à la clientèle de Sony.

Lorsque la DEL d'éclairage ne clignote pas, vérifiez les éléments suivants.

Vous pouvez également vous reporter à la section [Dépannage] dans le Manuel d'aide ou effectuer l'autodiagnostic en sélectionnant [Aide] → [Autodiagnostic]. Si le problème persiste, communiquez avec le service à la clientèle de Sony (coordonnées indiquées sur la couverture de ce document).

Problèmes et solutions

Il n'y a aucune image (l'écran est noir) et aucun son.

- Vérifiez la connexion de câble/antenne.
- Branchez le téléviseur à l'alimentation CA, puis appuyez sur la touche  du téléviseur ou **POWER** de la télécommande.

Impossible de syntoniser certaines émissions.

- Vérifiez la connexion de câble/antenne.

La télécommande ne fonctionne pas.

- Remplacez les piles.

Vous avez oublié le mot de passe de la fonction Contrôle parental.

- Entrez le code NIP 4357. (Le NIP 4357 est toujours fonctionnel.)

Le téléviseur et les objets qui l'entourent deviennent chauds au toucher.



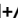
- Lorsque le téléviseur est utilisé pendant une longue période, le téléviseur et les objets qui l'entourent peuvent devenir chauds au toucher. Il ne s'agit pas d'un problème de fonctionnement du téléviseur.

Comment réinitialiser le téléviseur à ses réglages d'usine.

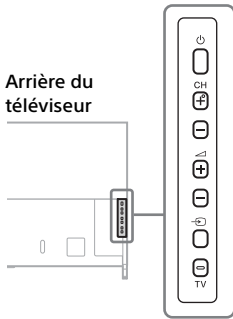
- Allumez le téléviseur. Vous pouvez réinitialiser le téléviseur aux réglages d'usine en appuyant sur **HOME**, puis en sélectionnant [Paramètres] → [Stockage et réinitialisation] → [Rétablir config. par défaut].
AVERTISSEMENT : La réinitialisation effacera tous vos réglages personnalisés, y compris le réglage [Contrôle parental].
- Pour plus de sécurité, assurez-vous d'effacer toutes les données à caractère personnel et les informations relatives à votre compte avant de vous défaire de votre téléviseur ou de le vendre à un tiers, en procédant à la désynchronisation/désinscription, déconnexion et désactivation de tous les services de réseau et en rétablissant les paramètres d'usine du téléviseur.

L'audio ou la vidéo ne répond pas, l'écran est vide, ou le téléviseur ne répond pas aux touches de commande du téléviseur ni de la télécommande.

- Effectuez une simple réinitialisation du téléviseur en débranchant le cordon d'alimentation CA pendant deux minutes, puis en le rebranchant.

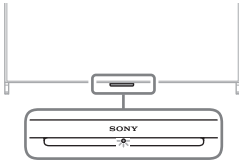
Les touches , CH+/-, , +/-,  et TV ne peuvent pas être trouvées sur le téléviseur.

- Reportez-vous à l'illustration ci-dessous pour connaître l'emplacement des touches sur le téléviseur.



La DEL d'éclairage s'allume.


- Si vous ne souhaitez pas que la DEL d'éclairage s'allume, vous pouvez désactiver cette dernière. Appuyez sur **HOME**, puis sélectionnez [Paramètres] → [LED d'éclairage] → [Non].



Impossible de se connecter à un routeur sans fil par WPS (Configuration Wi-Fi sécurisée).

- Si vous utilisez la sécurité WEP, sélectionnez [Facile] → [Wi-Fi] → [Connecter par liste de balayage]. Ensuite, sélectionnez le nom du réseau (SSID) auquel vous souhaitez vous connecter.

Impossible de trouver le nom de réseau requis dans la configuration de réseau.

- Sélectionnez [[Entrée manuelle]] et appuyez sur  pour entrer le nom de réseau.

Spécifications

Système

Système de télévision

NTSC : Norme de télévision en Amérique

ATSC (8VSB terrestre) : 8VSB conforme avec ATSC

QAM sur le câble : ANSI/SCTE 07 2000

(n'inclut pas la fonctionnalité CableCARD)

Plages de canaux

Analogique terrestre : 2 - 69 /

Numérique terrestre : 2 - 69

Câble analogique : 1 - 135 /

Câble numérique : 1 - 135

Système de l'écran

Écran ACL (affichage à cristaux liquides),

Rétroéclairage à DEL

Puissance des haut-parleurs

7,5 W + 7,5 W + 7,5 W + 7,5 W

Technologie sans fil

Protocole IEEE802.11ac/a/b/g/n

Bluetooth version 4.1

Connecteurs d'entrée et de sortie

CABLE/ANTENNA

Borne extérieure de 75 ohms pour entrées RF

 /  VIDEO IN 1

Entrée vidéo/audio (prises phono)

 /  COMPONENT IN

YPbPr (vidéo composante) : 1 080p (60 Hz),

1 080i (60 Hz), 720p (60 Hz), 480p, 480i

Entrée Audio (prises phono)

 VIDEO IN 2

Entrée Vidéo (tige phono commune avec entrée Y)

HDMI IN 1/2/3/4 (Prend en charge la résolution 4K)

Vidéo (2D) :

4 096 × 2 160p (60 Hz)^{*1*}, 4 096 × 2 160p

(24 Hz)^{*2}, 3 840 × 2 160p (60 Hz)^{*1}, 3 840 ×

2 160p (24, 30 Hz), 1 080p (30, 60 Hz),

1 080/24p, 1 080i (60 Hz), 720p (30, 60 Hz),

720/24p, 480p, 480i, Formats de PC

^{*1} YCbCr 4:2:0 / 8 bits uniquement

^{*2} 3 840 × 2 160p s'affiche lorsque

4 096 × 2 160p est reçu en entrée

Vidéo (3D) :

Combinaison de trame : 1 080p (30 Hz),
1 080/24p, 1 080i (60 Hz), 720p (30, 60 Hz),
720/24p

Côte à côte : 1 080p (60 Hz), 1 080/24p,
1 080i (60 Hz), 720p (60 Hz)

Superposés : 1 080p (30, 60 Hz), 1 080/24p,
1 080i (60 Hz), 720p (60 Hz)

Audio : PCM linéaire 5,1 canaux : 32, 44,1, 48,
88,2, 96, 176,4 et 192 kHz, 16, 20 et 24 bits,
Dolby Digital et DTS

ARC (Audio Return Channel) (HDMI IN 4
seulement)

MHL (HDMI IN 2)

Vidéo (2D) :

4 096 × 2 160p (24 Hz)*, 3 840 × 2 160p (24,
30 Hz), 1 080p (30, 60 Hz), 1 080/24p,
1 080i (60 Hz), 720p (30, 60 Hz), 720/24p,
480p, 480i

* 3 840 × 2 160p s'affiche lorsque
4 096 × 2 160p est reçu en entrée

Vidéo (3D) :

Combinaison de trame : 1 080p (30 Hz),
1 080/24p, 1 080i (60 Hz), 720p (30, 60 Hz),
720/24p

Côte à côte : 1 080p (60 Hz), 1 080/24p,
1 080i (60 Hz), 720p (60 Hz)

Superposés : 1 080p (60 Hz), 1 080p
(30 Hz), 1 080/24p, 1 080i (60 Hz), 720p
(60 Hz)

Audio : PCM linéaire 5,1 canaux : 32, 44,1, 48,
88,2, 96, 176,4 et 192 kHz, 16, 20 et 24 bits,
Dolby Digital et DTS

⊖ DIGITAL AUDIO OUT (OPTICAL)

Prise optique numérique (Deux canaux
linéaires PCM, Dolby Digital, DTS)

AUDIO OUT (mini-prise stéréo)

Écouteurs, sortie audio, caisson de graves

1, 2, **SS** 3

Les ports USB 1 et 2 prennent en charge la
connectivité USB haute vitesse (USB 2.0).

Le port USB 3 prend en charge la connectivité
USB super vitesse (USB 3.0).

LAN

Connecteur 10BASE-T/100BASE-TX

(La vitesse de connexion peut varier selon
l'environnement réseau. Le débit 10BASE-T/
100BASE-TX et la qualité de la
communication ne sont pas garantis pour ce
téléviseur.)

Réseau domestique

Reportez-vous au Manuel d'aide pour
connaître les formats pris en charge.

REMOTE

RS232C, mini-prise Serial Control, mini-prise
IR IN.

Ces prises permettent de recevoir le signal
de commande externe.

Autres

Accessoires en option

Caisson de graves sans fil : SWF-BR100

Câble MHL : DLC-MC20

Lecteur média 4K : FMP-X10 (États-Unis
uniquement)

Lunettes 3D actives : TDG-BT500A
(XBR-75X910C)



Lunettes 3D passives : TDG-500P
(XBR-65/55X900C)



Température de service

0 °C – 40 °C (32 °F – 104 °F)

Alimentation et autres

Alimentation

110 V - 240 V CA, 50/60 Hz

(États-Unis/Canada 120 V CA, 60 Hz)

Consommation d'énergie

en cours d'utilisation

XBR-75X910C : 309 W

XBR-65X900C : 278 W

XBR-55X900C : 241 W

en veille*

Moins de 0,5 W

Taille de l'écran (mesurée en diagonale)

(Environ)

XBR-75X910C : 74,5 pouces (classe 75)

XBR-65X900C : 64,5 pouces (classe 65)

XBR-55X900C : 54,6 pouces (classe 55)

Résolution de l'écran

3 840 points (horizontal) × 2 160 lignes
(vertical)

Puissance de sortie

USB 1

5 V, , 500 mA MAX


USB 2

5 V, , 500 mA MAX

USB 3

5 V, , 900 mA MAX

MHL (HDMI IN 2)

5V, , 1,5 A MAX

* La consommation d'énergie en mode de veille
augmente lorsque votre téléviseur est connecté
au réseau.

Dimensions (Environ)

avec support

Position limite :

XBR-75X910C : 1 672 × 1 031 × 336 mm /

65 ⁷/₈ × 40 ⁵/₈ × 13 ¹/₄ pouces

XBR-65X900C : 1 451 × 897 × 257 mm /

57 ¹/₄ × 35 ³/₈ × 10 ¹/₈ pouces

XBR-55X900C : 1 232 × 774 × 257 mm /

48 ⁵/₈ × 30 ¹/₂ × 10 ¹/₈ pouces

Position intermédiaire :

XBR-75X910C : 1 672 × 1 031 × 336 mm /

65 ⁷/₈ × 40 ⁵/₈ × 13 ¹/₄ pouces

XBR-65X900C : 1 451 × 897 × 257 mm /

57 ¹/₄ × 35 ³/₈ × 10 ¹/₈ pouces

XBR-55X900C : 1 232 × 766 × 257 mm /

48 ⁵/₈ × 30 ¹/₂ × 10 ¹/₈ pouces

sans support

XBR-75X910C : 1 672 × 959 × 50 mm /

65 ⁷/₈ × 37 ⁷/₈ × 2 ⁵/₈ pouces

XBR-65X900C : 1 451 × 835 × 39 mm /

57 ¹/₄ × 32 ⁷/₈ × 1 ⁹/₁₆ pouces

XBR-55X900C : 1 232 × 712 × 39 mm /

48 ⁵/₈ × 28 ¹/₈ × 1 ⁹/₁₆ pouces

schéma des trous pour la fixation murale

XBR-75X910C : 400 × 300 mm

XBR-65X900C : 300 × 300 mm

XBR-55X900C : 300 × 300 mm

taille des vis de fixation murale (mm)

M6 (longueur : voir le diagramme à la page 29.)

Largeur du support (Environ)

Position limite :

XBR-75X910C : 1 669 mm

XBR-65X900C : 1 449 mm

XBR-55X900C : 1 230 mm

Position intermédiaire :

XBR-75X910C : 740 mm

XBR-65X900C : 576 mm

XBR-55X900C : 530 mm

Poids (Environ)

avec support

XBR-75X910C : 35,1 kg / 77,4 lb.

XBR-65X900C : 24,0 kg / 52,9 lb.

XBR-55X900C : 19,7 kg / 43,4 lb.

sans support

XBR-75X910C : 33,7 kg / 74,3 lb.

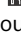
XBR-65X900C : 23,2 kg / 51,2 lb.

XBR-55X900C : 18,4 kg / 40,6 lb.

Remarques

- La disponibilité des accessoires en option dépend des pays/régions/modèles de téléviseur/stocks.
- La conception des produits et les caractéristiques techniques peuvent changer sans préavis.
- Ce téléviseur intègre MHL 3.

Information de licence

- Les termes HDMI et HDMI High-Definition Multimedia Interface ainsi que le logo HDMI sont des marques de commerce ou des marques déposées de HDMI Licensing, LLC aux États-Unis et dans d'autres pays ou régions.
- Fergason Patent Properties, LLC : N° de brevet US 6,816,141
- Fabriqué sous licence de Dolby Laboratories. Dolby et le symbole double-D sont des marques déposées de Dolby Laboratories.
- « BRAVIA » et BRAVIA, S-Force, Motionflow, BRAVIA Sync et  sont des marques de commerce ou des marques déposées de Sony Corporation.
- Les noms Gracenote, Gracenote eyeQ, Gracenote VideoID, Gracenote Video Explore, le logo Gracenote et la mention « Powered by Gracenote » sont des marques ou des marques déposées de Gracenote aux États-Unis et/ou dans d'autres pays.
- Opera® Devices SDK de Opera Software ASA. Copyright 1995-2014 Opera Software ASA. Tous droits réservés.
- Wi-Fi, Wi-Fi Direct, Miracast et Wi-Fi Protected Setup sont des marques commerciales ou des marques déposées de la Wi-Fi Alliance.
- MHL, Mobile High-Definition Link et le logo de MHL sont des marques ou des marques déposées de MHL Licensing, LLC.
- Pour les brevets DTS, voir <http://patents.dts.com>. Fabriqué sous licence de DTS, Inc. DTS, le symbole, et DTS et son symbole ensemble sont des marques déposées, et DTS Digital Surround est une marque déposée de DTS, Inc. © DTS, Inc. Tous droits réservés.

- Conçu avec l'UEI Technology™ sous licence d'Universal Electronics Inc. Portions © UEI 2000 - 2014
- Le symbole et les logos Bluetooth® sont la propriété de Bluetooth SIG, Inc.; toute utilisation de ces marques par Sony Corporation est soumise à une licence. Les autres marques déposées et appellations commerciales sont la propriété de leurs détenteurs respectifs.
- TUXERA est une marque déposée de Tuxera Inc. aux États-Unis et dans d'autres pays.
- Le logo USB-IF SuperSpeed USB Trident est une marque déposée d'USB Implementers Forum, Inc. 
- N Mark est une marque déposée ou une marque de commerce de NFC Forum, Inc. aux États-Unis et dans d'autres pays.



MEMO

MEMO

MEMO

For Your Convenience

Online Registration:	<p>Be sure to register your TV.</p> <p>United States http://productregistration.sony.com Canada http://www.sony.ca/registration</p>
Software Updates:	<p>Your TV is capable of receiving software updates. For the latest information about software updates for your TV, visit:</p> <p>United States http://www.sony.com/tvsupport Canada http://www.sony.ca/support</p> <p>NOTE: If your TV is connected to the Internet, you can check for software updates by selecting [Help], [System software update] and then [Check for a system software update].</p>

Pour votre commodité

Enregistrement en ligne :	<p>Faire en sorte de compléter l'enregistrement de votre téléviseur.</p> <p>Canada http://www.sony.ca/fr/registration États-Unis http://productregistration.sony.com</p>
Mise à jour du logiciel :	<p>Votre téléviseur est en mesure de recevoir des mises à jour logicielles. Pour obtenir les renseignements les plus à jour sur les mises à jour du logiciel de votre téléviseur, visitez :</p> <p>Canada http://support.sony.ca/fr États-Unis http://www.sony.com/tvsupport</p> <p>REMARQUE : Si votre téléviseur est connecté à Internet, vous pouvez vérifier les mises à jour du logiciel en sélectionnant [Aide], [Mise à jour du logiciel], puis [Vérifier les mises à jour du logiciel].</p>

