

STIHL®

STIHL BG 55, 65, 85, SH 55, 85

Instruction Manual
Manual de instrucciones



WARNING

Read Instruction Manual thoroughly before use and follow all safety precautions – improper use can cause serious or fatal injury.

ADVERTENCIA

Antes de usar la máquina lea y siga todas las precauciones de seguridad dadas en el manual de instrucciones – el uso incorrecto puede causar lesiones graves o mortales.



Instruction Manual

1 - 34

Manual de instrucciones

35 - 70

Contents

Guide to Using this Manual	2
Safety Precautions and Working Techniques	2
Assembling the Blower	11
Assembling the Vacuum Shredder	12
Fuel	14
Fueling	15
Starting / Stopping the Engine	15
Cleaning the Air Filter	17
Engine Management	18
Adjusting the Carburetor	18
Catalytic Converter	20
Spark Plug	20
Engine Running Behavior	21
Rewind Starter	21
Storing the Machine	22
Inspections and Maintenance by Dealer	22
Maintenance and Care	23
Main Parts	24
Specifications	27
Maintenance and Repairs	28
Disposal	28
STIHL Incorporated Federal Emission Control Warranty Statement	29
STIHL Incorporated California Exhaust and Evaporative Emissions Control Warranty Statement	31
Trademarks	33

Allow only persons who fully understand this manual to operate your blower.

To receive maximum performance and satisfaction from your STIHL blower, it is important that you read, understand and follow the safety precautions and the operating and maintenance instructions in chapter "Safety Precautions and Working Techniques" before using your blower. For further information you can go to www.stihlusa.com.

Contact your STIHL dealer or the STIHL distributor for your area if you do not understand any of the instructions in this manual.

WARNING

Because a blower is a high-speed tool, some special safety precautions must be observed as with any other power tool to reduce the risk of personal injury. Careless or improper use may cause serious or even fatal injury.

STIHL®

Guide to Using this Manual

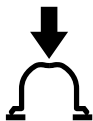
Pictograms

The meanings of the pictograms attached to or embossed on the machine are explained in this manual.

Depending on the model concerned, the following pictograms may be on your machine.



Fuel tank for gasoline and engine oil mixture



Press to operate manual fuel pump

Symbols in Text

Many operating and safety instructions are supported by illustrations.

The individual steps or procedures described in the manual may be marked in different ways:

- A bullet marks a step or procedure.

A description of a step or procedure that refers directly to an illustration may contain item numbers that appear in the illustration. Example:

- Loosen the screw (1).
- Lever (2) ...

In addition to the operating instructions, this manual may contain paragraphs that require your special attention. Such

paragraphs are marked with the symbols and signal words described below:



DANGER

Indicates an imminent risk of severe or fatal injury.



WARNING

Indicates a hazardous situation which, if not avoided, could result in severe or fatal injury.

NOTICE

Indicates a risk of property damage, including damage to the machine or its individual components.

Engineering Improvements

STIHL's philosophy is to continually improve all of its products. As a result, engineering changes and improvements are made from time to time. Therefore, some changes, modifications and improvements may not be covered in this manual. If the operating characteristics or the appearance of your machine differs from those described in this manual, please contact your STIHL dealer or the STIHL distributor for your area for assistance.

Safety Precautions and Working Techniques



Because the use of any blower may be dangerous, special safety precautions must be observed to reduce the risk of personal injury.



It is important that you read, fully understand and observe the following safety precautions and warnings. Read the instruction manual and the safety precautions periodically. Careless or improper use may cause serious or fatal injury.

Have your STIHL dealer show you how to operate your power tool. Observe all applicable local safety regulations, standards and ordinances.



WARNING

Do not lend or rent your power tool without the instruction manual. Be sure that anyone using it understands the information contained in this manual.



WARNING

Use your blower only for clearing leaves, twigs, grass, clippings, paper, debris, and dust in yards, gardens, sport stadiums, parks, paths, streets, driveways and parking lots and for similar tasks.

Do not use it for other purposes, since misuse may result in personal injury or property damage, including damage to the machine.

WARNING

Minors should never be allowed to use this power tool. Bystanders, especially children, and animals should not be allowed in the area where it is in use.

WARNING

To reduce the risk of injury to bystanders and damage to property, never let your power tool run unattended. When it is not in use (e.g. during a work break), shut it off and make sure that unauthorized persons do not use it.

Most of these safety precautions and warnings apply to the use of all STIHL blowers. Different models may have different parts and controls. See the appropriate section of your instruction manual for a description of the controls and the function of the parts of your model.

Safe use of a blower involves

1. the operator
2. the power tool
3. the use of the power tool

THE OPERATOR

Physical Condition

You must be in good physical condition and mental health and not under the influence of any substance (drugs,

alcohol, etc.) which might impair vision, dexterity or judgment. Do not operate this machine when you are fatigued.

WARNING

Be alert – if you get tired, take a break. Tiredness may result in loss of control. Working with any power tool can be strenuous. If you have any condition that might be aggravated by strenuous work, check with your doctor before operating this machine.

WARNING

Prolonged use of a power tool (or other machines) exposing the operator to vibrations may produce whitefinger disease (Raynaud's phenomenon) or carpal tunnel syndrome.

These conditions reduce the hand's ability to feel and regulate temperature, produce numbness and burning sensations and may cause nerve and circulation damage and tissue necrosis.

WARNING

This STIHL blower is not equipped with an anti-vibration ("AV") system. Other STIHL blower models are available with AV system designed to reduce the transmission of vibrations created by the machine to the operator's hands. An AV system is recommended for those persons using power tools on a regular or sustained basis.

All factors which contribute to whitefinger disease are not known, but cold weather, smoking and diseases or physical conditions that affect blood vessels and blood transport, as well as high vibration levels and long periods of

exposure to vibration are mentioned as factors in the development of whitefinger disease. In order to reduce the risk of whitefinger disease and carpal tunnel syndrome, please note the following:

- Keep your hands warm.
- A power tool with loose components will tend to have higher vibration levels.
- Maintain a firm grip at all times, but do not squeeze the handles with constant, excessive pressure. Take frequent breaks.

All the above-mentioned precautions do not guarantee that you will not sustain whitefinger disease or carpal tunnel syndrome. Therefore, continual and regular users should closely monitor the condition of their hands and fingers. If any of the above symptoms appear, seek medical advice immediately.

WARNING

The ignition system of the STIHL unit produces an electromagnetic field of a very low intensity. This field may interfere with some pacemakers. To reduce the risk of serious or fatal injury, persons with a pacemaker should consult their physician and the pacemaker manufacturer before operating this tool.

Proper Clothing

WARNING

To reduce the risk of injury, the operator should wear proper protective apparel.

! WARNING



To reduce the risk of injury to your eyes never operate your power tool unless wearing goggles or properly fitted protective glasses with adequate top and side protection complying with ANSI Z87 "+" (or your applicable national standard).

Power tool noise may damage your hearing. Wear sound barriers (ear plugs or ear muffers) to protect your hearing. Continual and regular users should have their hearing checked regularly.

Be particularly alert and cautious when wearing hearing protection because your ability to hear warnings (shouts, alarms, etc.) is restricted.



Clothing must be sturdy and snug-fitting, but allow complete freedom of movement.



Avoid loose-fitting jackets, scarfs, neckties, jewelry, flared or cuffed pants, unconfined long hair or anything that could become drawn into the air intake. Secure hair so it is above shoulder level.



Good footing is very important. Do not wear sandals or go barefoot.

THE POWER TOOL

For illustrations and definitions of the power tool parts see the chapter on "Main Parts."

! WARNING

Never modify this power tool in any way. Only attachments supplied by STIHL or expressly approved by STIHL for use with the specific STIHL blower model are authorized. Although certain unauthorized attachments are useable with STIHL power tools, their use may, in fact, be extremely dangerous.

If this tool is subjected to unusually high loads for which it was not designed (e.g. heavy impact or a fall), always check that it is in good condition before continuing work. Check in particular that the fuel system is tight (no leaks) and that the controls and safety devices are working properly. Do not continue operating this machine if it is damaged. In case of doubt, have it checked by your STIHL servicing dealer.

! WARNING

Small particles (e.g. dust) blown through the blower tube and nozzle can cause a static charging of the blower tube. This is especially true in low humidity and high dust conditions. In order to reduce the risk of shock from static charging and subsequent injury from loss of control,

your blower has features designed to help reduce the build up of static electricity in the blower tube and equalize the charge with the engine and / or operator.

The control handle is designed to conduct static electricity through the throttle cable to the engine and from the handle through the operator to the ground.

THE USE OF THE POWER TOOL

Transporting the Power Tool

! WARNING

When transporting your power tool in a vehicle, properly secure it to prevent turnover, fuel spillage and damage to the unit.

Fuel

Your STIHL power tool uses an oil-gasoline mixture for fuel (see the chapter on "Fuel" of your instruction manual).

! WARNING

Gasoline is an extremely flammable fuel. If spilled and ignited by a spark or other ignition source, it can cause fire and serious burn injury or property damage. Use extreme caution when handling gasoline or fuel mix. Do not smoke or bring any fire or flame near the fuel or the power tool. Note that combustible fuel vapor may escape from the fuel system.

Fueling Instructions**! WARNING**

Fuel your power tool in well-ventilated areas, outdoors. Always shut off the engine and allow it to cool before refueling. Gasoline vapor pressure may build up inside the fuel tank depending on the fuel used, the weather conditions and the tank venting system.

In order to reduce the risk of burns and other personal injury from escaping gas vapor and fumes, remove the fuel filler cap on your power tool carefully so as to allow any pressure build-up in the tank to release slowly. Never remove the fuel filler cap while the engine is running.

Select bare ground for fueling and move at least 10 feet (3 m) from the fueling spot before starting the engine. Wipe off any spilled fuel before starting your machine.

! WARNING

Check for fuel leakage while refueling and during operation. If fuel leakage is found, do not start or run the engine until the leak is fixed and any spilled fuel has been wiped away. Take care not to get fuel on your clothing. If this happens, change your clothing immediately.

! WARNING

Unit vibrations can cause an improperly tightened fuel filler cap to loosen or come off and spill quantities of fuel. In order to reduce the risk of fuel spillage and fire, tighten the fuel filler cap by hand as securely as possible.

Before Starting**! WARNING**

Always check your power tool for proper condition and operation before starting, particularly the throttle trigger, throttle trigger lockout and stop switch. The throttle trigger must move freely. Never attempt to modify the controls or safety devices.

! WARNING

Check fuel system for leaks, especially the visible parts, e.g., filler cap, hose connections, manual fuel pump (only for

power tools equipped with a manual fuel pump). Do not start the engine if there are leaks or damage – risk of fire! Have the machine repaired by a servicing dealer before using it.

! WARNING

Never operate your power tool if it is damaged, improperly adjusted or maintained, or not completely or securely assembled.

To reduce the risk of injury, do not operate your blower unless it has a properly mounted blower tube.

! WARNING

Check that the spark plug boot is securely mounted on the spark plug – a loose boot may cause arcing that could ignite combustible fumes and cause a fire.

! WARNING

Keep the handles clean and dry at all times; it is particularly important to keep them free of moisture, pitch, oil, fuel mix, grease or resin in order for you to maintain a firm grip and properly control your power tool.

Starting**! WARNING**

Start the engine at least 10 feet (3 m) from the fueling spot, outdoors only.

! WARNING

Your power tool is a one-person machine. Do not allow other persons in the general work area, even when starting.

For specific starting instructions, see the appropriate section of your manual. Place the power tool on firm ground or other solid surface in an open area. Maintain good balance and secure footing.

! WARNING

To reduce the risk of injury from loss of control, do not attempt to "drop start" your power tool.

! WARNING

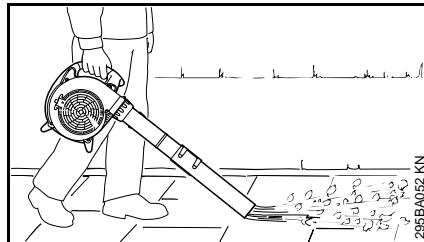
When you pull the starter grip, do not wrap the starter rope around your hand. Do not let the grip snap back, but guide the starter rope to rewind it properly. Failure to follow this procedure may result in injury to your hand or fingers and may damage the starter mechanism.

! WARNING

Once the engine has started, immediately blip the throttle trigger, which should release the starting throttle and allow the engine to slow down to idle.

During Operation

Holding and Controlling the Power Tool



The blower is designed for single-handed operation with either the right or left hand on the control handle.

Watch out for small animals when using the blower on open ground, in yards and gardens.

! WARNING

Operate the unit only with a properly mounted blower tube.

The round nozzle is particularly suitable for use on uneven surfaces (e.g. fields and lawns).

The fan nozzle (either included with unit or available as special accessory) produces a broad and powerful airstream at ground level. It can be aimed and controlled very accurately. This nozzle is highly effective for blow-sweeping sawdust, leaves, grass cuttings, etc. on paved surfaces.

Special care must be taken in slippery conditions (wet ground, snow) and in difficult, overgrown terrain. Watch for hidden obstacles such as tree stumps, roots and ditches to avoid stumbling. For better footing, clear away fallen

branches, scrub and cuttings. Be extremely cautious when working on slopes or uneven ground.

! WARNING

To reduce the risk of injury from loss of control, never work on a ladder, in a tree or any other insecure support. Never hold the machine above shoulder height.

Working Conditions

To minimize blowing time, use a rake and broom to loosen dirt particles before you start blowing.

Save water by using a blower instead of a water hose for lawn and garden work wherever possible, e.g. for cleaning yards and patios.

Recommended working technique to minimize air pollution:

- If conditions are very dusty, dampen surfaces slightly before blowing.
- Pull out the nozzle to full length so that the airstream is at ground level.
- Do not blow particles in the direction of bystanders, in particular in the direction of children, pets, open windows or freshly washed vehicles. Take special care in such situations.
- Remove the blow-swept debris in rubbish bins – do not blow it onto the neighbor's land.

Recommended working technique to minimize noise:

- Operate your power tool at reasonable times only – not early in the morning, late at night or during midday rest periods when people could be disturbed. Observe local rest periods. Normal recommendation for professional use on weekdays: 9:00hrs to 12:00hrs and 15:00hrs to 17:00hrs. Be considerate of neighbors at weekends.
- Fewer engines mean less noise. Where possible, do not run more than one power tool at any time.
- Operate blowers at the lowest engine speed necessary to accomplish the task.
- Check your blower before starting work. Pay special attention to the muffler, air intakes and air filter.

Operate and start your power tool only outdoors in a well ventilated area. Operate it under good visibility and daylight conditions only. Work carefully.

 **WARNING**



As soon as the engine is running, this product generates toxic exhaust fumes containing chemicals, such as unburned hydrocarbons (including benzene) and carbon monoxide, that are known to cause respiratory problems, cancer, birth defects, or other reproductive harm. Some of the gases (e.g. carbon monoxide) may be colorless and odorless. To reduce the risk of serious or fatal injury / illness from inhaling toxic fumes, never run the machine indoors or in poorly ventilated locations.

 **WARNING**

Inhalation of certain dusts, especially organic dusts such as mold or pollen, can cause susceptible persons to have an allergic or asthmatic reaction. Substantial or repeated inhalation of dust and other airborne contaminants, in particular those with a smaller particle size, may cause respiratory or other illnesses. Control dust at the source where possible. Use good work practices, such as operating the unit so that the wind or operating process directs any dust raised by the power tool away from the operator. Follow the recommendations of EPA / OSHA / NIOSH and occupational and trade associations with respect to dust ("particulate matter"). When the

inhalation of dust cannot be substantially controlled, i.e., kept at or near the ambient (background) level, the operator and any bystanders should wear a respirator approved by NIOSH / MSHA for the type of dust encountered.

 **WARNING**

If the substance being blown is a commercial substance, review, understand and follow all warnings and instructions contained in the material safety data sheet for that substance and / or consult the material manufacturer / supplier. The state of California and some other authorities, for instance, have published lists of substances known to cause cancer, reproductive toxicity, etc.

 **WARNING**

Breathing asbestos dust is dangerous and can cause severe or fatal injury, respiratory illness or cancer. The use and disposal of asbestos-containing products have been strictly regulated by OSHA and the Environmental Protection Agency. If you have any reason to believe that you might be blowing or otherwise disturbing asbestos, immediately contact your employer or a local OSHA representative.

 **WARNING**

Dust with silica in its composition may contain crystalline silica. Silica is a basic component of sand, quartz, brick, clay, granite and numerous other minerals and rocks, including masonry and concrete products. Repeated and / or substantial inhalation of airborne crystalline silica can cause serious or

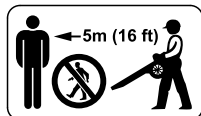
fatal respiratory disease, including silicosis. In addition, the state of California and some other authorities have listed respirable crystalline silica as a substance known to cause cancer. When encountering such materials, always follow the respiratory precautions mentioned above.

Operating Instructions

WARNING

In the event of an emergency, switch off the engine immediately – move the stop switch to 0.

WARNING



In order to reduce the risk of personal or even fatal injury to bystanders from blown objects keep bystanders at least 16 feet (5 m) away when the power tool is running.

Stop the engine immediately if you are approached.

WARNING

To reduce the risk of personal injury, do not direct air blast towards bystanders, since the high pressure of the air flow can injure eyes and can blow small objects at great speed. Do not direct airblast towards pets.

WARNING

The blower fan between the air intake and output openings rotates whenever the engine is running.

Never insert any foreign object into the air intake of the machine or into the nozzle of the blower. It will damage the fan wheel and may cause serious injury to the operator or bystanders as a result of the object or broken parts being thrown out at high speed.

Do not place the blower on the ground when operating at high speed, because small objects such as sand, grass, dust, etc. may be pulled into the air intake and damage the fan wheel. It is best to turn the machine off when putting it on the ground.

WARNING

Never modify your muffler. Any modification could cause an increase in heat radiation, sparks or sound level, thereby increasing the risk of fire, burn injury or hearing loss. You may also permanently damage the engine. Have your muffler serviced and repaired by your STIHL servicing dealer only.

WARNING

The muffler and other parts of the engine (e.g. fins of the cylinder, spark plug) become hot during operation and remain hot for a while after stopping the engine. To reduce risk of burns, do not touch the muffler and other parts while they are hot. Keep the area around the muffler clean. Remove excess lubricant and all debris such as pine needles, branches or leaves. Let the engine cool down

sitting on concrete, metal, bare ground or solid wood away from any combustible substances.

WARNING

An improperly mounted or damaged cylinder housing or a damaged/deformed muffler shell may interfere with the cooling process of the muffler. To reduce the risk of fire or burn injury, do not continue work with a damaged or improperly mounted cylinder housing or a damaged/deformed muffler shell.

Your muffler is furnished with a spark arresting screen designed to reduce the risk of fire from the emission of hot particles. Never operate your unit with a missing or damaged spark arresting screen. If your gas/oil mix ratio is correct (i.e., not too rich), this screen will normally stay clean as a result of the heat from the muffler and need no service or maintenance. If you experience loss of performance and you suspect a clogged screen, have your muffler maintained by a STIHL servicing dealer. Some state or federal laws or regulations may require a properly maintained spark arrestor for certain uses. See the "Maintenance, Repair and Storing" section of these Safety Precautions. Remember that the risk of a brush or forest fire is greater in hot or dry conditions.

! WARNING

Some STIHL power tools are equipped with a catalytic converter, which is designed to reduce the exhaust emissions of the engine by a chemical process in the muffler. Due to this process, the muffler does not cool down as rapidly as conventional mufflers when the engine returns to idle or is shut off. To reduce the risk of fire and burn injuries when using a catalytic converter, always set your power tool down in the upright position and never locate it where the muffler is near dry brush, grass, wood chips or other combustible materials while it is still hot.

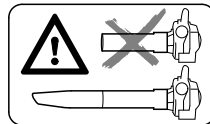
Using the Vacuum Attachment

For specific assembling instructions, see the appropriate section of your instruction manual. Do not use this appliance in vacuum mode without the catcher bag.

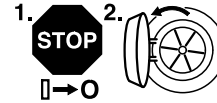


The vacuum attachment is designed for two-handed operation. Hold and operate the unit with your right hand on the control handle and your left hand on the assist handle.

Wear the catcher bag shoulder strap over your left shoulder – not across your chest – so that you can quickly throw off the unit and catcher bag in an emergency.

! WARNING

To reduce the risk of injury, do not operate the machine unless it is fully assembled with a properly mounted suction tube and catcher bag.

! WARNING

In order to reduce the risk of injury from contact with rotating parts and damage to the engine, the intake screen must always be closed and the locking tab engaged when the suction tube is not mounted. Stop engine and wait until the fan is stopped before opening the intake screen.

! WARNING

To reduce the risk of personal injury from fire and explosion, never attempt to vacuum hot or burning substances (e.g. smoldering ashes, glowing cigarettes) or combustible fluids (e.g. gasoline, paint thinners).

**! WARNING**

Vacuinating unsuitable materials may block the fanwheel. Switch off the unit immediately. Then clear the blockage.

Take particular care when vacuuming wet leaves since they may block the blower wheel and elbow.

! WARNING

Never vacuum solid objects such as nails, steel shavings, tacks, rocks or broken glass. These objects may be struck by the fan wheel and flung away at high speed and may cause injury to the operator or bystander.

NOTICE

Vacuuming abrasive material (such as grit, stone chips, etc.) causes the blower wheel and blower housing to wear at a rapid rate. This results in a considerable loss of suction power. In such a case you should contact your dealer. STIHL recommends a STIHL servicing dealer.

Watch out for small animals when using the vacuum on open ground, in yards and gardens.

MAINTENANCE, REPAIR AND STORING

Maintenance, replacement, or repair of the emission control devices and systems may be performed by any nonroad engine repair establishment or individual. However, if you make a warranty claim for a component which has not been serviced or maintained properly or if nonapproved replacement parts were used, STIHL may deny coverage.

! WARNING

Use only identical STIHL replacement parts for maintenance and repair. Use of non-STIHL parts may cause serious or fatal injury.

Strictly follow the maintenance and repair instructions in the appropriate section in this instruction manual. Please refer to the maintenance chart in this instruction manual.

! WARNING

Always stop the engine and make sure that the fan is stopped before doing any maintenance or repair work or cleaning the power tool. Do not attempt any maintenance or repair work not described in this instruction manual. Have such work performed by your STIHL servicing dealer only.

Do not clean your machine with a pressure washer. The solid jet of water may damage parts of the machine.

! WARNING

Use the specified spark plug and make sure it and the ignition lead are always clean and in good condition. Always press spark plug boot snugly onto spark plug terminal of the proper size. (Note: If terminal has detachable SAE adapter nut, it must be securely attached.) A loose connection between spark plug terminal and the ignition wire connector in the boot may create arcing that could ignite combustible fumes and cause a fire.

! WARNING

Never test the ignition system with the boot removed from the spark plug or with a removed spark plug, since uncontained sparking may cause a fire.

! WARNING

Do not operate your power tool if the muffler is damaged, missing or modified. An improperly maintained muffler will increase the risk of fire and hearing loss. Your muffler is equipped with a spark-arresting screen to reduce the risk of fire; never operate your power tool if the screen is missing, damaged or clogged. Remember that the risk of a brush or forest fire is greater in hot or dry weather.

In California, it is a violation of § 4442 or § 4443 of the Public Resources Code to use or operate gasoline-powered tools on forest-covered, brush-covered or grass-covered land unless the engine's exhaust system is equipped with a complying spark arrester that is maintained in effective working order. The owner/operator of this product is responsible for properly maintaining the spark arrester. Other states or governmental entities/agencies, such as the U.S. Forest Service, may have similar requirements. Contact your local fire agency or forest service for the laws or regulations relating to fire protection requirements.

Tighten all nuts, bolts and screws except the carburetor adjustment screws after each use.

For maintenance items please also refer to the maintenance chart in this instruction manual.

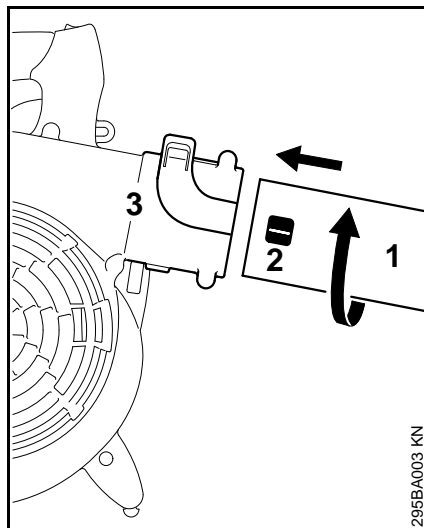
Store the power tool in a dry and high or locked location out of reach of children.

Before storing for longer than a few days, always empty the fuel tank. See chapter "Storing the machine" in this instruction manual.

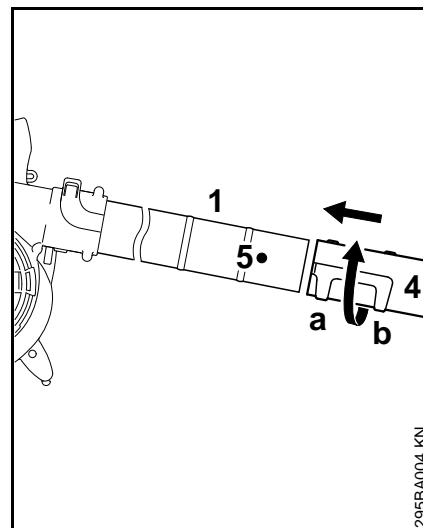
Store fuel in an approved and properly labeled safety-type canister only. Take care when handling gasoline! For health and safety reasons, avoid direct contact with the skin and avoid inhaling fuel vapor!

Assembling the Blower

Mounting the Blower Tube

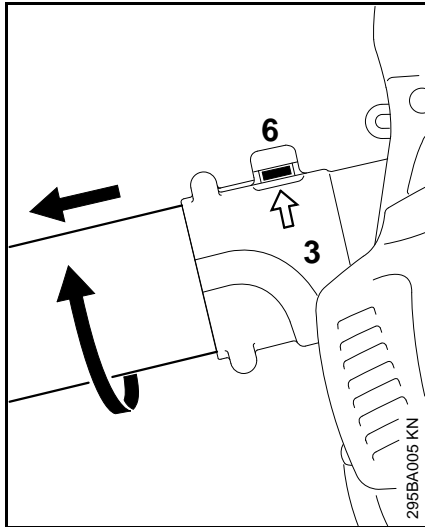


- Push the blower tube (1) with lug (2) into the fan housing stub (3) and rotate it in the direction of the arrow to lock in position.



- Push the nozzle (4) onto the blower tube (1) as far as lug (5), position (a) (long) or position (b) (short), and rotate the nozzle in the direction of the arrow to it lock in position.

Removing the Blower Tube



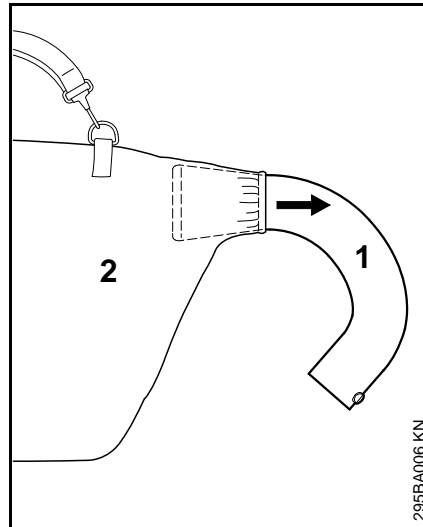
- Use a suitable tool to lift the tab (6) on the fan housing stub (3).
- Rotate the blower tube in the direction of the arrow and then pull it out.

See "Assembling the Vacuum Shredder" for installation and removal of the vacuum attachment.

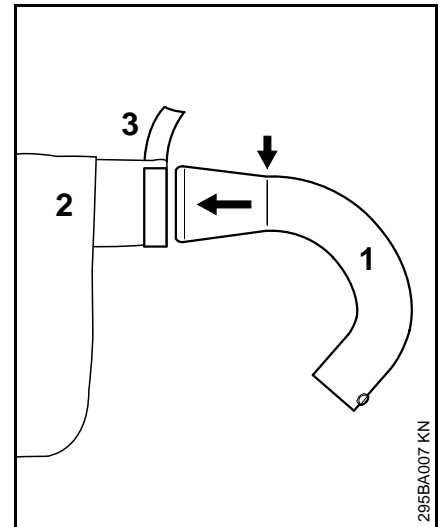
Assembling the Vacuum Shredder

The vacuum attachment is available as a special accessory.

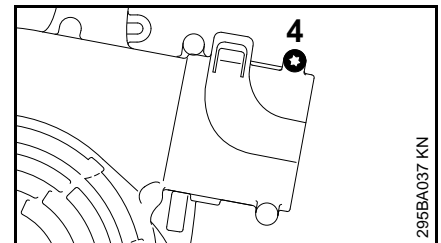
Fitting the Elbow



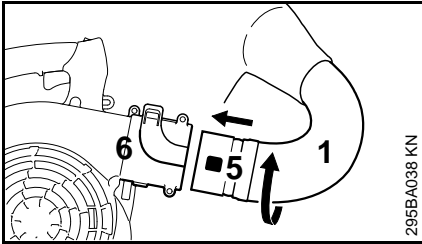
- From inside the catcher bag (2), push the elbow (1) through the intake opening and pull it outwards until it is firmly seated.
- Attach the carrying strap.



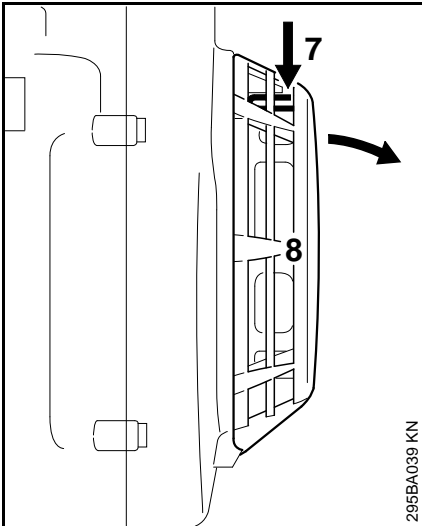
- Push the elbow (1) into the catcher bag (2) as far as the mark and secure it with the Velcro strip (3).



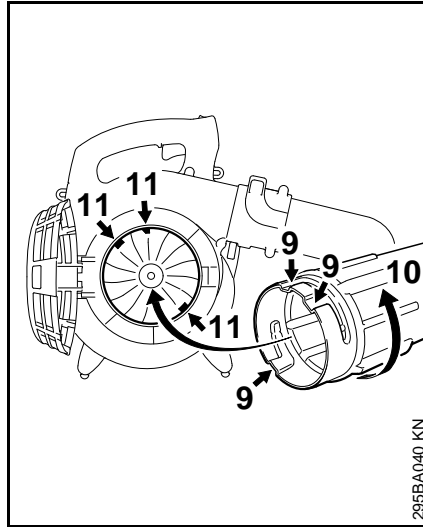
- Loosen the screw (4).



- Push the elbow (1) with lug (5) into the fan housing stub (6) and rotate it in the direction of the arrow to lock in position.
- Tighten down the screw (4) firmly.

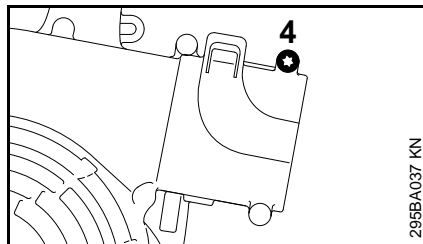


- Use a suitable tool to disengage the tab (7) on the intake screen (8) and then open the intake screen.

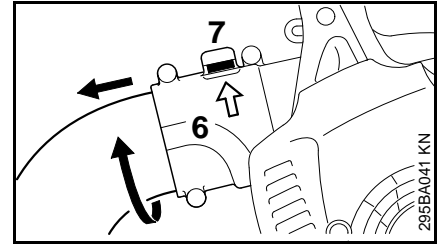


- Push guideways (9) on suction tube (10) onto lugs (11) on fan housing and
- rotate suction tube in direction of arrow to lock it in position.

Removing the Elbow



- Loosen the screw (4).



- Use a suitable tool to lift the tab (7)
- on the fan housing stub (6).
- Rotate the elbow in the direction of the arrow and then pull it out.
- Tighten down the screw (4) firmly.

Fuel

This engine is certified to operate on unleaded gasoline and the STIHL two-stroke engine oil at a mix ratio of 50:1.

Your engine requires a mixture of high-quality gasoline and two-stroke air cooled engine oil.

Use mid-grade unleaded gasoline with a minimum octane rating of 89 ((R+M)/2) and no more than 10% ethanol content.

Fuel with a lower octane rating may increase engine temperatures. This, in turn, increases the risk of piston seizure and damage to the engine.

The chemical composition of the fuel is also important. Some fuel additives not only detrimentally affect elastomers (carburetor diaphragms, oil seals, fuel lines, etc.), but magnesium castings and catalytic converters as well. This could cause running problems or even damage the engine. For this reason STIHL recommends that you use only high-quality unleaded gasoline!

Gasoline with an ethanol content of more than 10% can cause running problems and major damage in engines and should not be used.

The ethanol content in gasoline affects engine running speed – it may be necessary to readjust the carburetor if you use fuels with various ethanol contents.

WARNING

To reduce the risk of personal injury from loss of control and/or contact with the running cutting tool, do not use your

unit with incorrect idle adjustment. At correct idle speed, the cutting tool should not move.

If your power tool shows an incorrect idle adjustment, have your STIHL dealer check your power tool and make proper adjustments and repairs.

The idle speed and maximum speed of the engine change if you switch from a fuel with a certain ethanol content to another fuel with a much higher or lower ethanol content.

This problem can be avoided by always using fuel with the same ethanol content.

Use only STIHL two-stroke engine oil or equivalent high-quality two-stroke engine oils that are designed for use only in air cooled two-cycle engines.

We recommend STIHL HP Ultra 2-Cycle Engine Oil since it is specially formulated for use in STIHL engines.

Do not use BIA or TCW rated (two-stroke water cooled) mix oils or other mix oils that state they are for use in both water cooled and air cooled engines (e.g., outboard motors, snowmobiles, chain saws, mopeds, etc.).

WARNING

Take care when handling gasoline. Avoid direct contact with the skin and avoid inhaling fuel vapor. When filling at the pump, first remove the container from your vehicle and place the container on the ground before filling. To reduce the risk of sparks from static discharge and resulting fire and/or explosion, do not fill fuel containers that are sitting in or on a vehicle or trailer.

The container should be kept tightly closed in order to limit the amount of moisture that gets into the mixture.

The machine's fuel tank should be cleaned as necessary.

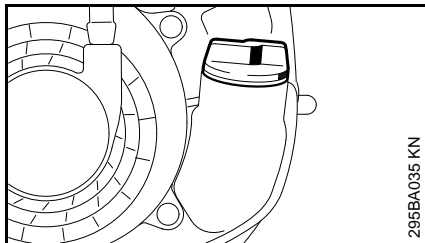
Fuel mix ages

Only mix sufficient fuel for a few days work, not to exceed 30 days of storage. Store in approved fuel-containers only. When mixing, pour oil into the container first, and then add gasoline. Close the container and shake it vigorously by hand to ensure proper mixing of the oil with the fuel.

Gasoline US gal.	Oil (STIHL 50:1 or equivalent high-quality oils) US fl.oz.
1	2.6
2 1/2	6.4
5	12.8

Dispose of empty mixing-oil containers only at authorized disposal locations.

Fueling



Before fueling, clean the filler cap and the area around it to ensure that no dirt falls into the tank.

Always thoroughly shake the mixture in the canister before fueling your machine.

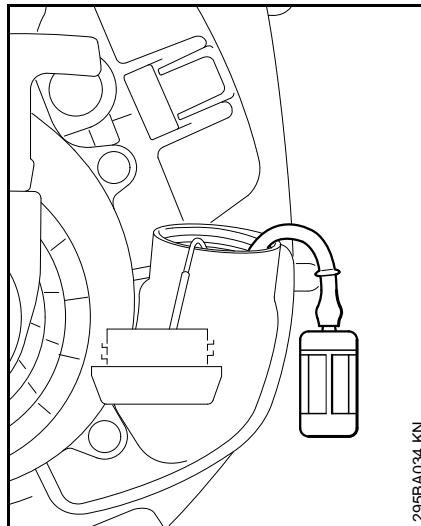
! WARNING

In order to reduce the risk of fire and personal injury from escaping gas vapor and fumes, remove the fuel filler cap carefully so as to allow any pressure build-up in the tank to release slowly.

! WARNING

After fueling, tighten fuel cap as securely as possible by hand.

Change the fuel pick up body every year



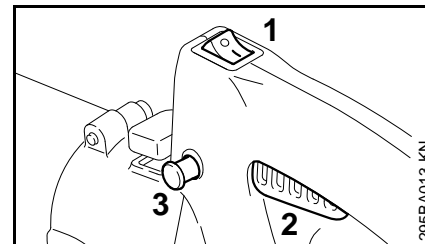
Before storing your machine for a long period, drain and clean the fuel tank and run engine until carburetor is dry.

Starting / Stopping the Engine

Starting the Engine

- Observe safety precautions.

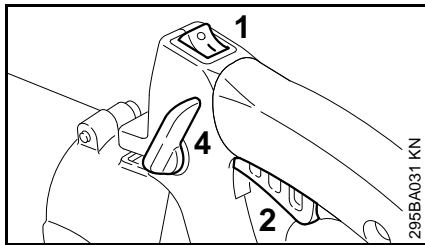
BG 55, 65, SH 55



- Move the stop switch (1) to the run position I.
- Squeeze the throttle trigger (2) and press in the lockout button (3) at the same time.
- Release the throttle trigger.
- Release the lockout button – **this is the starting throttle position.**

The lockout button can be used to lock the throttle trigger in the full throttle position during operation.

BG 85, SH 85

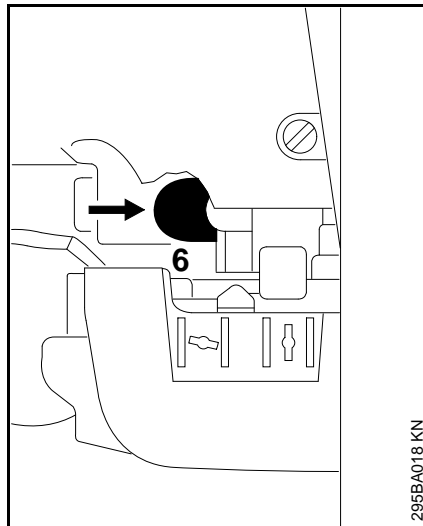


- Move the stop switch (1) to the run position I.
- Squeeze the throttle trigger (2) and move the setting lever (4) to midway position at the same time.
- Release the throttle trigger – **this is the starting throttle position.**

The setting lever enables you to select and hold any throttle position between idle and full throttle. Move the setting lever to the idle position before shutting off the engine.

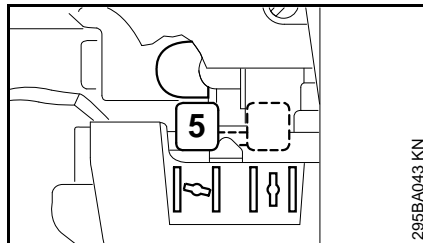
All models

Setting the choke lever



- Press the manual fuel pump bulb (6) at least five times – even if the bulb is filled with fuel.

If the engine is cold



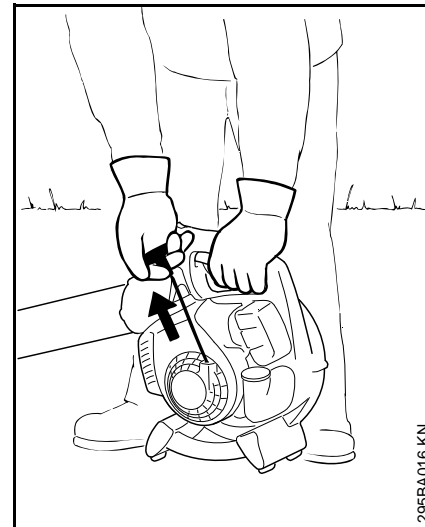
- Set the choke lever (5) to I .
- Pull the starter rope five times.
- Set the choke lever (5) to II .
- Continue cranking until the engine runs.

If the engine is warm

- Set the choke lever (5) to III .

Also use this setting if the engine has been running but is still cold.

Cranking



- Place the unit on the ground so that it is secure.
- Make sure you have a firm footing: Hold the unit firmly with your left hand on the housing and press down.
- Hold the starter grip with your right hand.
- Pull the starter grip slowly until you feel it engage and then give it a brisk strong pull.

NOTICE

Do not pull out the starter rope all the way – it might otherwise break.

- Do not let the starter grip snap back. Guide it slowly back into the housing so that the starter rope can rewind properly.

As Soon as Engine Runs

BG 55, 65, SH 55

- Blip the throttle trigger so that the lockout button pops out – the engine settles down to idle speed.

BG 85, SH 85

- Move the setting level forwards to end position.

Stopping the Engine

- Move the stop switch to 0.

Other Hints on Starting

If the engine stops during warm-up or acceleration

- Repeat the starting procedure – see "If the engine is cold".

If the engine does not start

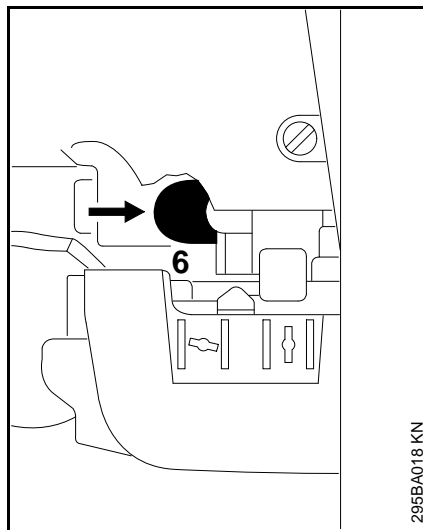
- Make sure all settings are correct (choke shutter, throttle trigger in starting throttle position, stop switch to I).
- Repeat the starting procedure.

If the engine still does not start

- Move the stop switch to 0.
- Remove the spark plug – see "Spark Plug".

- Dry the spark plug.
- Crank the engine several times with the starter to clear the combustion chamber.
- Refit the spark plug – see "Spark Plug".
- Move the stop switch to I.
- Set the choke lever to $\overline{\text{I}}$ – even if the engine is cold.
- Now start the engine.

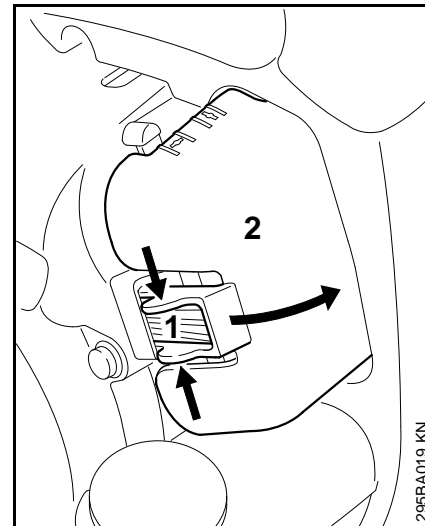
If fuel tank has been run completely dry and then refueled



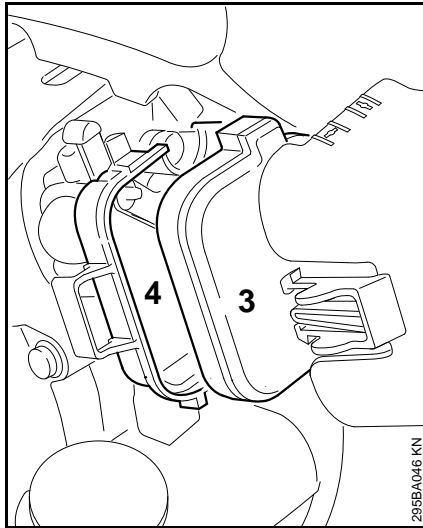
- Press the manual fuel pump bulb (6) at least five times – even if the bulb is filled with fuel.
- Set the choke lever according to engine temperature.
- Start the engine.

Cleaning the Air Filter

If there is a noticeable loss of engine power



- Move the choke lever to $\overline{\text{I}}$
- Squeeze the tabs (1) together.
- Swing the filter cover (2) open and take it away.
- Clean away loose dirt from around the filter.



- Take the filter (3) out of the filter housing (4).
- Install a new filter. As a temporary measure you can knock it out on the palm of your hand or blow it out with compressed air – do not wash.

Replace any damaged parts.

- Fit the filter (3) in the filter housing (4).
- Fit the filter cover (2) so that it snaps into position.

Engine Management

Exhaust emissions are controlled by the design of the fundamental engine parameters and components (e.g. carburation, ignition, timing and valve or port timing) without the addition of any major hardware.

Adjusting the Carburetor

General Information

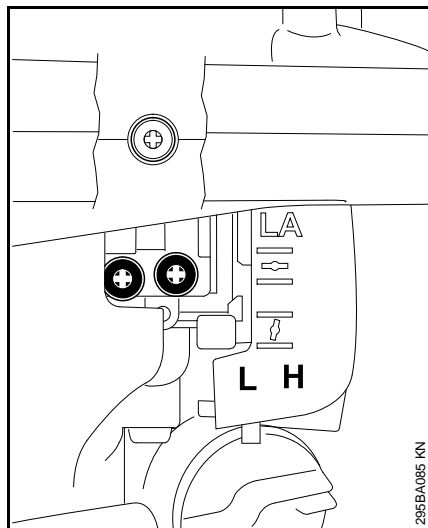
The carburetor comes from the factory with a standard setting.

This setting provides an optimum fuel-air mixture under most operating conditions.

Preparations

- Shut off the engine.
- Check the air filter and clean or replace if necessary.
- Check the spark arresting screen (not in all models, country-specific) in the muffler and clean or replace if necessary.

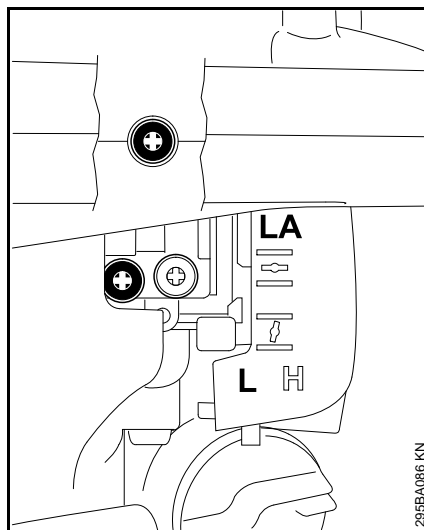
Standard Setting



- Turn high speed screw (H) counterclockwise as far as stop (no more than 3/4 turn).
- Turn the low speed screw (L) clockwise as far as stop, then turn it back 3/4 turn.

Adjusting Idle Speed

- Carry out the standard setting.
- Start and warm up the engine.



Engine stops while idling

- Turn the idle speed screw (LA) clockwise until the engine runs smoothly – then back it off a 1/4 turn from that position.

Erratic idling behavior, poor acceleration (despite correction to setting of LA screw).

Idle setting is too lean

- Turn the low speed screw (L) carefully counterclockwise, no further than stop, until the engine runs smoothly and accelerates well.

Erratic idling behavior, engine speed drops when swinging the machine

Idle setting is too rich

- Turn the low speed screw (L) slowly clockwise until the engine runs and accelerates smoothly.

It is usually necessary to change the setting of the idle speed screw (LA) after every correction to the low speed screw (L).

Fine Tuning for Operation at High Altitude

A slight correction of the setting may be necessary if the engine does not run satisfactorily:

- Carry out the standard setting.
- Warm up the engine.
- Turn high speed screw (H) slightly clockwise (leaner) – no further than stop.

NOTICE

After returning from high altitude, reset the carburetor to the standard setting.

If the setting is too lean there is a risk of engine damage due to insufficient lubrication and overheating.

Catalytic Converter

Power tools with a catalytic converter (depending on model) must be run on a 50 : 1 mixture of **unleaded gasoline** and **STIHL two-stroke engine oil** or equivalent two-stroke engine oil – see chapter on "Fuel".

The catalytic converter integrated in the muffler reduces the harmful emissions in the exhaust gas.

The correct carburetor setting (if adjustable) and strict observance of the prescribed mix ratio of gasoline and two-stroke engine oil are essential to minimize harmful emissions and ensure a long catalytic converter service life.

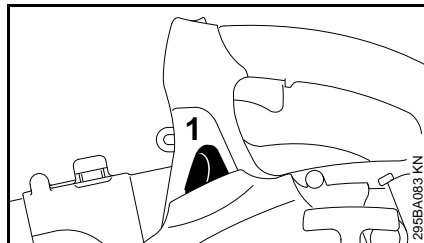
Spark Plug

If engine is down on power, difficult to start or runs poorly at idling speed, first check the spark plug.

Fit a new spark plug after approx. 100 operating hours or earlier if the electrodes are badly eroded.

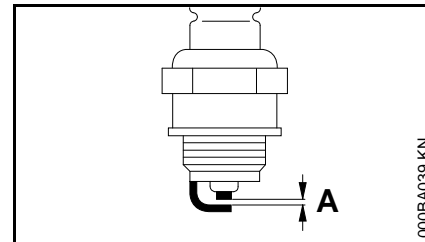
Wrong fuel mix (too much engine oil in the gasoline), a dirty air filter and unfavorable running conditions (mostly at part throttle etc.) affect the condition of the spark plug. These factors cause deposits to form on the insulator nose which may result in trouble in operation.

Removing the Spark Plug



- Pull off the spark plug boot (1).
- Unscrew the spark plug.

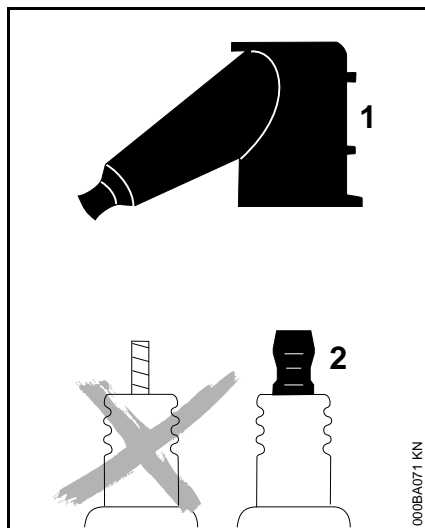
Checking the Spark Plug



- Clean dirty spark plug.
- Check electrode gap (A) and readjust if necessary – see "Specifications."
- Use only resistor type spark plugs of the approved range.

Rectify problems that have caused fouling of spark plug:

- too much oil in fuel mix,
- dirty air filter,
- unfavorable running conditions, e.g. operating at part load.



! WARNING

To reduce the risk of fire and burn injury, use only spark plugs authorized by STIHL. Always press spark plug boot (1) snugly onto spark plug terminal (2) of the proper size. (Note: If terminal has detachable SAE adapter nut, it must be securely attached.) A loose connection between spark plug boot and ignition wire connector in the boot may create arcing that could ignite combustible fumes and cause a fire.

Installing the spark plug

- Screw home the spark plug, fit the boot and press it down firmly.

Engine Running Behavior

If engine running behavior is unsatisfactory even though the air filter is clean and the carburetor is properly adjusted, the cause may be the muffler.

Have the muffler checked for contamination (carbonization) by your servicing dealer.

STIHL recommends that you have servicing and repair work carried out exclusively by an authorized STIHL servicing dealer.

Rewind Starter

To help prolong the wear life of the starter rope, observe the following points:

- Pull the starter rope only in the direction specified.
- Do not pull the rope over the edge of the guide bushing.
- Do not pull out the rope more than specified.
- Do not allow the starter grip to snap back, guide it back into the housing slowly – see chapter on "Starting / Stopping the Engine."

Have a damaged starter rope replaced by your dealer before it breaks completely. STIHL recommends that you have servicing and repair work carried out exclusively by an authorized STIHL servicing dealer.

Storing the Machine

For periods of 3 months or longer

- Drain and clean the fuel tank in a well ventilated area.
- Dispose of fuel properly in accordance with local environmental requirements.
- Run the engine until the carburetor is dry – this helps prevent the carburetor diaphragms sticking together.
- Thoroughly clean the machine – pay special attention to the cylinder fins and air filter.
- Store the machine in a dry, high or locked location, – out of the reach of children and other unauthorized persons.

Inspections and Maintenance by Dealer

Spark arresting screen in muffler

- If the engine is down on power, check the spark arresting screen in the muffler.

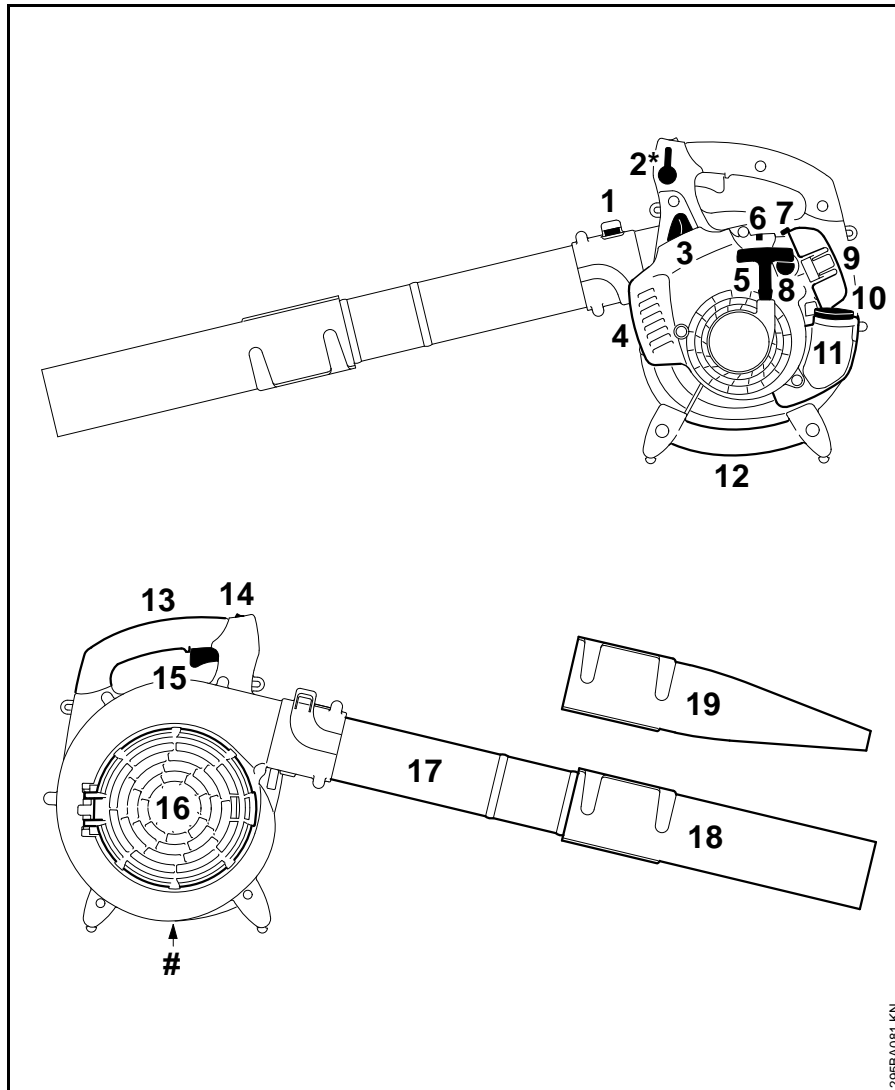
STIHL recommends that you have servicing and repair work carried out exclusively by an authorized STIHL servicing dealer.

Maintenance and Care

The following intervals apply to normal operating conditions only. If your daily working time is longer or operating conditions are difficult (very dusty work area, etc.), shorten the specified intervals accordingly.		before starting work	after finishing work or daily	after each refueling stop	weekly	monthly	every 12 months	if problem	if damaged	as required
Complete machine	Visual inspection (condition, wear, leaks)	x		x						
	Clean		x							
Control handle	Check operation	x		x						
Air filter	Clean							x		x
	Replace								x	x
Manual fuel pump (if fitted)	Check	X								
	Have repaired by servicing dealer ¹⁾								X	
Filter in fuel tank	Check							x		
	Replace filter						x		x	x
Fuel tank	Clean							x		x
Carburetor	Check idle setting	x		x						
	Readjust idle									x
Spark plug	Readjust electrode gap							x		
	Replace after 100 operating hours									
Spark arrestor in muffler	Check							x		
	Have replaced by dealer ¹⁾								x	x
Cooling inlets	Clean									x
All accessible screws and nuts (not adjusting screws)	Retighten									x
Safety labels	Replace								x	

¹⁾ STIHL recommends a STIHL servicing dealer.

Main Parts



- 1 Tab
- 2 Setting Lever*
- 3 Spark Plug Boot
- 4 Muffler
- 5 Starter Grip
- 6 Carburetor Adjusting Screw
- 7 Choke Lever
- 8 Manual Fuel Pump
- 9 Filter Housing
- 10 Fuel Filler Cap
- 11 Fuel Tank
- 12 Assist Handle
- 13 Control Handle
- 14 Switch
- 15 Throttle Trigger
- 16 Intake Screen
- 17 Blower Tube
- 18 Round Nozzle
- 19 Fan Nozzle*
- # Serial Number

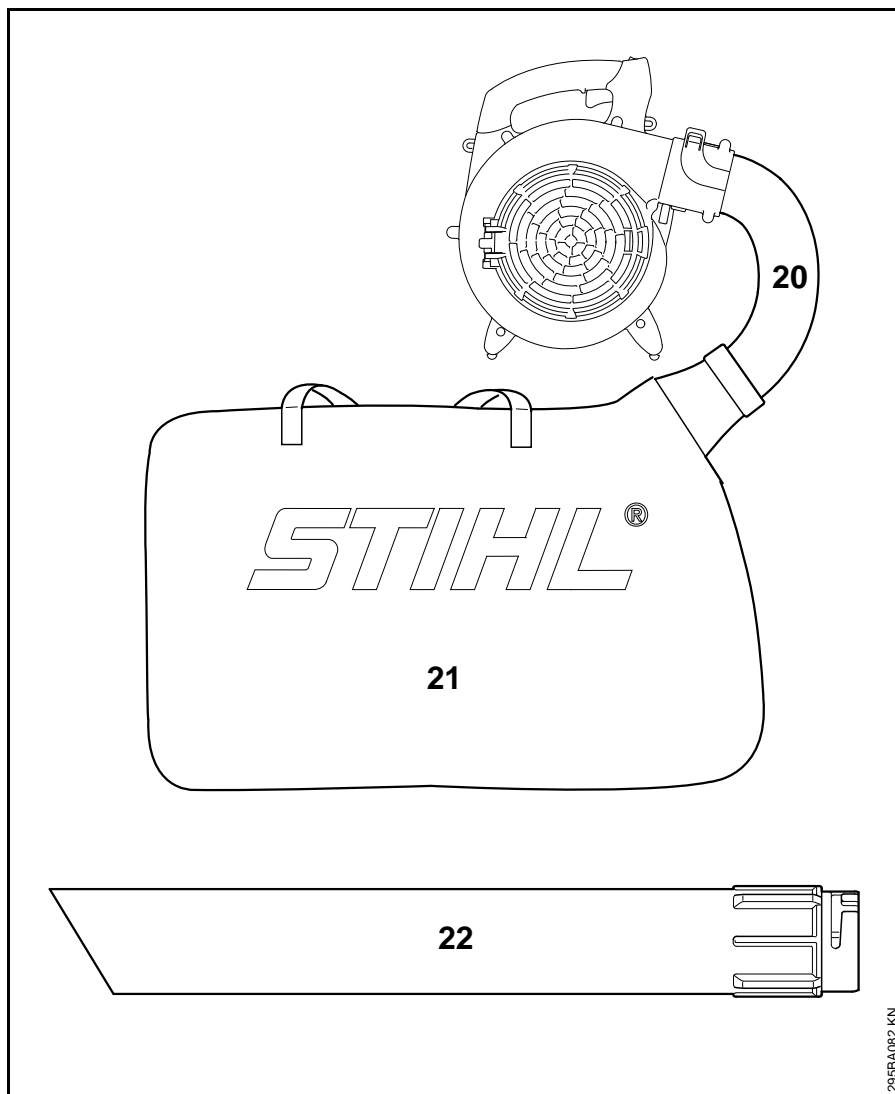
* Depending on Model – Special Accessory

Definitions

- 1. **Tab**
Designed to secure the blower tube to the machine.
- 2. **Setting Lever**
Holds the throttle trigger in position.
- 3. **Spark Plug Boot**
Connects the spark plug to the ignition lead.

285BA081 KN

- 4. Muffler**
Reduces engine exhaust noises and diverts exhaust gases away from operator.
- 5. Starter Grip**
The grip of the pull starter, for starting the engine.
- 6. Carburetor Adjusting Screws**
For tuning the carburetor.
- 7. Choke Lever**
Eases engine starting by enriching mixture.
- 8. Manual Fuel Pump**
Provides additional fuel feed for a cold start.
- 9. Filter Housing**
Covers and protects the air filter element.
- 10. Fuel Filler Cap**
For closing the fuel tank.
- 11. Fuel Tank**
For fuel and oil mixture.
- 12. Assist Handle**
Additional handle for use with the suction tube as a vacuum and held by the left hand.
- 13. Control Handle**
The handle of the blower held by the right hand.
- 14. Switch**
To switch the machine in position ON and OFF.
- 15. Throttle Trigger**
Controls the speed of the engine.
- 16. Intake Screen**
Fits over intake opening and reduces the risk of direct contact with the fan wheel, which is located under the screen.
- 17. Blower Tube**
Directs the airstream.
- 18. Round Nozzle**
To be mounted on the blower tube to direct the airstream.
- 19. Fan Nozzle**
Alternative nozzle for the blower tube to accelerate the airstream.



20 Suction Tube*

21 Elbow*

22 Catcher Bag*

* Depending on Model – Special Accessory

Definitions

20. Suction Tube

To direct vacuumed debris into catcher bag.

21. Elbow

Directs airstream and debris into the catcher bag.

22. Catcher Bag

Mounts to elbow to collect the vacuumed debris.

265BA082 KN

Specifications

EPA / CEPA

The Emission Compliance Period referred to on the Emissions Compliance Label indicates the number of operating hours for which the engine has been shown to meet Federal emission requirements.

Category

A = 300 hours

B = 125 hours

C = 50 hours

CARB

The Emission Compliance Period used on the CARB-Air Index Label indicates the terms:

Extended = 300 hours

Intermediate = 125 hours

Moderate = 50 hours

Engine

Single cylinder two-stroke engine

Displacement: 1.66 cu. in
(27.2 cc)
Bore: 1.34 in (34 mm)
Stroke: 1.18 in (30 mm)

Engine power to
ISO 7293:

BG 55: 0.9 bhp (0.7 kW)

BG 65: 0.9 bhp (0.7 kW)

BG 85: 1.1 bhp (0.8 kW)

SH 55: 0.9 bhp (0.7 kW)

SH 85: 1.1 bhp (0.8 kW)

Idle speed: 2,800 rpm

Ignition System

Electronic magneto ignition

Spark plug (resistor type): NGK BPMR 7 A,
Bosch WSR 6 F

Electrode gap: 0.02 in (0.5 mm)

Fuel System

All position diaphragm carburetor with
integral fuel pump

Fuel tank capacity: 13.5 fl.oz (0.4 l)

Maximum air flow rate

	Blower mode	Vacuum mode
BG 55:	430 cf/min (730 m ³ /h)	353 cf/min (600 m ³ /h)
BG 65:	430 cf/min (730 m ³ /h)	353 cf/min (600 m ³ /h)
BG 85:	459 cf/min (780 m ³ /h)	368 cf/min (625 m ³ /h)
SH 55:	430 cf/min (730 m ³ /h)	353 cf/min (600 m ³ /h)
SH 85:	459 cf/min (780 m ³ /h)	368 cf/min (625 m ³ /h)

Air velocity with nozzle

BG 55:	140 mph (63 m/s)
BG 65:	174 mph (78 m/s)
BG 85:	183 mph (82 m/s)
SH 55:	140 mph (63 m/s)
SH 85:	183 mph (82 m/s)


Weight

BG 55:	9.0 lbs (4.1 kg)
BG 65:	9.0 lbs (4.1 kg)
BG 85:	9.3 lbs (4.2 kg)
BG 85 with catalytic converter:	9.5 lbs (4.3 kg)
SH 55:	11.2 lbs (5.1 kg)
SH 85:	11.9 lbs (5.4 kg)
SH 85 with catalytic converter:	12.1 lbs (5.5 kg)

Maintenance and Repairs

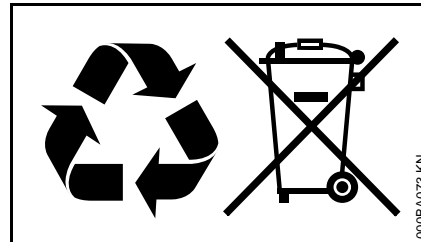
Users of this unit should carry out only the maintenance operations described in this manual. STIHL recommends that other repair work be performed only by authorized STIHL servicing dealers.

Warranty claims following repairs can be accepted only if the repair has been performed by an authorized STIHL servicing dealer using genuine STIHL replacement parts.

Genuine STIHL parts can be identified by the STIHL part number, the **STIHL** logo and, in some cases, by the STIHL parts symbol . The symbol may appear alone on small parts.

Disposal

Observe all country-specific waste disposal rules and regulations.



STIHL products must not be thrown in the garbage can. Take the product, accessories and packaging to an approved disposal site for environment-friendly recycling.

Contact your STIHL servicing dealer for the latest information on waste disposal.

STIHL Incorporated Federal Emission Control Warranty Statement

Not for California

Your Warranty Rights and Obligations

The U.S. Environmental Protection Agency (EPA) and STIHL Incorporated are pleased to explain the Emission Control System Warranty on your equipment type engine. In the U.S. new 1997 and later model year small off-road equipment engines must be designed, built and equipped, at the time of sale, to meet the U.S. EPA regulations for small non road engines. The equipment engine must be free from defects in materials and workmanship which cause it to fail to conform with U.S. EPA standards for the first two years of engine use from the date of sale to the ultimate purchaser.

STIHL Incorporated must warrant the emission control system on your small off-road engine for the period of time listed below provided there has been no abuse, neglect or improper maintenance of your small off-road equipment engine.

Your emission control system includes parts such as the carburetor and the ignition system. Also included may be hoses, and connectors and other emission-related assemblies.

Where a warrantable condition exists, STIHL Incorporated will repair your small off-road equipment engine at no cost to you, including diagnosis (if the diagnostic work is performed at an authorized dealer), parts, and labor.

Manufacturer's Warranty Coverage

In the U.S., 1997 and later model year small off-road equipment engines are warranted for two years. If any emission-related part on your engine is defective, the part will be repaired or replaced by STIHL Incorporated free of charge.

Owner's Warranty Responsibilities

As the small off-road equipment engine owner, you are responsible for the performance of the required maintenance listed in your instruction manual. STIHL Incorporated recommends that you retain all receipts covering maintenance on your small off-road equipment engine, but STIHL Incorporated cannot deny warranty solely for the lack of receipts or for your failure to ensure the performance of all scheduled maintenance.

Any replacement part or service that is equivalent in performance and durability may be used in non-warranty maintenance or repairs, and shall not reduce the warranty obligations of the engine manufacturer.

As the small off-road equipment engine owner, you should be aware, however, that STIHL Incorporated may deny you warranty coverage if your small off-road equipment engine or a part has failed due to abuse, neglect, improper maintenance or unapproved modifications.

You are responsible for presenting your small off-road equipment engine to a STIHL service center as soon as a problem exists. The warranty repairs will be completed in a reasonable amount of time, not to exceed 30 days.

If you have any questions regarding your warranty rights and responsibilities, please contact a STIHL customer service representative at 1-800-467-8445 or you can write to

STIHL Inc.,
536 Viking Drive, P.O. Box 2015,
Virginia Beach, VA 23450-2015

www.stihlusa.com

Coverage by STIHL Incorporated

STIHL Incorporated warrants to the ultimate purchaser and each subsequent purchaser that your small off-road equipment engine will be designed, built and equipped, at the time of sale, to meet all applicable regulations. STIHL Incorporated also warrants to the initial purchaser and each subsequent purchaser that your engine is free from defects in materials and workmanship which cause the engine to fail to conform with applicable regulations for a period of two years.

Warranty Period

The warranty period will begin on the date the utility equipment engine is purchased by the initial purchaser and you have signed and sent back the warranty card to STIHL.

If any emission-related part on your engine is defective, the part will be replaced by STIHL Incorporated at no cost to the owner. Any warranted part which is not scheduled for replacement as required maintenance, or which is scheduled only for regular inspection to the effect of "repair or replace as necessary" will be warranted for the warranty period. Any warranted part which is scheduled for replacement as

required maintenance will be warranted for the period of time up to the first scheduled replacement point for that part.

Diagnosis

You, as the owner, shall not be charged for diagnostic labor which leads to the determination that a warranted part is defective. However, if you claim warranty for a component and the machine is tested as non-defective, STIHL Incorporated will charge you for the cost of the emission test. Mechanical diagnostic work will be performed at an authorized STIHL servicing dealer. Emission test may be performed either at STIHL Incorporated or at any independent test laboratory.

Warranty Work

STIHL Incorporated shall remedy warranty defects at any authorized STIHL servicing dealer or warranty station. Any such work shall be free of charge to the owner if it is determined that a warranted part is defective.

Any manufacturer-approved or equivalent replacement part may be used for any warranty maintenance or repairs on emission-related parts and must be provided without charge to the owner. STIHL Incorporated is liable for damages to other engine components caused by the failure of a warranted part still under warranty.

The following list specifically defines the emission-related warranted parts:

- Air Filter
- Carburetor (if applicable)
- Fuel Pump

- Choke (Cold Start Enrichment System) (if applicable)
- Control Linkages
- Intake Manifold
- Magneto or Electronic Ignition System (Ignition Module or Electronic Control Unit)
- Fly Wheel
- Spark Plug
- Injection Valve (if applicable)
- Injection Pump (if applicable)
- Throttle Housing (if applicable)
- Cylinder
- Muffler
- Catalytic Converter (if applicable)
- Fuel Tank
- Fuel Cap
- Fuel Line
- Fuel Line Fittings
- Clamps
- Fasteners

Where to make a Claim for Warranty Service

Bring the product to any authorized STIHL servicing dealer and present the signed warranty card.

Maintenance Requirements

The maintenance instructions in this manual are based on the application of the recommended 2-stroke fuel-oil mixture (see also instruction "Fuel"). Deviations from this recommendation

regarding quality and mixing ratio of fuel and oil may require shorter maintenance intervals.

Limitations

This Emission Control Systems Warranty shall not cover any of the following:

- repair or replacement required because of misuse, neglect or lack of required maintenance,
- repairs improperly performed or replacements not conforming to STIHL Incorporated specifications that adversely affect performance and/or durability, and alterations or modifications not recommended or approved in writing by STIHL Incorporated,

and

- replacement of parts and other services and adjustments necessary for required maintenance at and after the first scheduled replacement point.

STIHL Incorporated California Exhaust and Evaporative Emissions Control Warranty Statement

For California only

Your Warranty Rights and Obligations

The California Air Resources Board (CARB) and STIHL Incorporated are pleased to explain the emission control system warranty on your 2014 and later small off-road equipment engine.

In California, new equipment that uses small off-road engines must be designed, built, and equipped to meet the State's stringent anti-smog standards. STIHL Incorporated must warrant the emissions control system on your small off-road engine for the period listed below provided there has been no abuse, neglect or improper maintenance of your small off-road engine.

Your emissions control system may include parts such as the carburetor or fuel-injection system, the ignition system, and catalytic converter. Also included may be hoses, belts, connectors or other emission-related assemblies.

Where a warrantable condition exists, STIHL Incorporated will repair your small off-road equipment engine at no cost to you including diagnosis, parts and labor.

Manufacturer's Warranty Responsibilities

This emissions control system is warranted for two years in California. If any emissions-related part on your equipment is defective, the part will be repaired or replaced by STIHL Incorporated free of charge.

Owner's Warranty Responsibilities

As the small off-road equipment engine owner, you are responsible for performance of the required maintenance listed in your instruction manual. STIHL Incorporated recommends that you retain all receipts covering maintenance on your small off-road equipment engine, but STIHL Incorporated cannot deny warranty solely for the lack of receipts or your failure to ensure the performance of all scheduled maintenance.

As the small off-road equipment engine owner, you should however be aware that STIHL Incorporated may deny you warranty coverage if your small off-road equipment engine or a part has failed due to abuse, neglect, or improper maintenance or unapproved modifications.

You are responsible for presenting your small off-road equipment engine to a STIHL servicing dealer as soon as the problem exists. The warranty repairs should be completed in a reasonable amount of time, not to exceed 30 days. If you have any questions regarding your warranty rights and responsibilities, please contact a STIHL customer service representative at 1-800-467-8445 or you can write to

STIHL Inc., 536 Viking Drive,
P.O. Box 2015,
Virginia Beach, VA 23450-2015.

www.stihlusa.com

Coverage by STIHL Incorporated

STIHL Incorporated warrants to the ultimate purchaser and each subsequent purchaser that your small off-road equipment engine is designed, built and equipped, at the time of sale, to meet all applicable emission regulations.

STIHL Incorporated also warrants to the initial purchaser and each subsequent purchaser that your engine is free from defects in materials and workmanship which cause the engine to fail to conform to applicable emission regulations for a period of two years.

Defects Warranty Period

The warranty periods will begin on the date the utility equipment engine is purchased by the initial purchaser. If any emission-related part on your engine is defective, the part will be replaced by STIHL Incorporated at no cost to the owner.

Add-on or modified parts that are not exempted by CARB may not be used. The use of any non-exempted add-on or modified parts will be grounds for disallowing a warranty claim. STIHL Incorporated will not be liable to warrant failures of warranted parts caused by the use of a non-exempted add-on or modified part.

The warranty on emissions-related parts will be interpreted as follows:

1. Any warranted part that is not scheduled for replacement as required maintenance in the written instructions required in the Emission Warranty Parts List (see below) must be warranted for the warranty period defined in Subsection COVERAGE BY STIHL INCORPORATED, see above. If any such part fails during the period of warranty coverage, it must be repaired or replaced by the manufacturer according to Subsection (4) below. Any such part repaired or replaced under the warranty must be warranted for the remaining warranty period.
2. Any warranted part that is scheduled only for regular inspection in the written instructions required by the Emission Warranty Parts List (see below) must be warranted for the warranty period defined in Subsection COVERAGE BY STIHL INCORPORATED, see above. A statement in such written instructions to the effect of "repair or replace as necessary" will not reduce the period of warranty coverage. Any such part repaired or replaced under warranty must be warranted for the remaining warranty period.
3. Any warranted part that is scheduled for replacement as required maintenance in the written instructions required by the Emission Warranty Parts List (see below) must be warranted for the period of time prior to the first scheduled replacement point for

that part. If the part fails prior to the first scheduled replacement, the part must be repaired or replaced by the engine manufacturer according to Subsection (4) below. Any such part repaired or replaced under warranty must be warranted for the remainder of the period prior to the first scheduled replacement point for the part.

4. Repair or replacement of any warranted part under the warranty must be performed at a warranty station at no charge to the owner.
5. Notwithstanding the provisions of Subsection (4) above, warranty services or repairs will be provided at all manufacturer distribution centers that are authorized to service the subject engines.
6. The owner must not be charged for diagnostic labor that leads to the determination that a warranted part is in fact defective, provided that such diagnostic work is performed at a warranty station.

Warranty Work

STIHL Incorporated shall remedy warranty defects at any authorized STIHL servicing dealer or warranty station. Any such work shall be free of charge to the owner if it is determined that a warranted part is defective. Any manufacturer approved or equivalent replacement part may be used for any warranty maintenance or repairs on emission-related parts and must be provided without charge to the owner. STIHL Incorporated is liable for

damages to other engine components caused by the failure of a warranted part still under warranty.

Emission Warranty Parts List

Air Filter, Carburetor (if applicable), Fuel Pump, Choke (Cold Start Enrichment System) (if applicable), Control Linkages, Intake Manifold, Magneto or Electronic Ignition System (Ignition Module or Electronic Control Unit), Fly Wheel, Spark Plug, Injection Valve (if applicable), Injection Pump (if applicable), Throttle Housing (if applicable), Cylinder, Muffler, Catalytic Converter (if applicable), Fuel Tank, Fuel Cap, Fuel Line, Fuel Line Fittings, Clamps, Fasteners.

Where to make a Claim for Warranty Service

Bring the STIHL product to any authorized STIHL servicing dealer and present the signed STIHL product registration card, or the print-out of the electronic product registration.

Limitations

The repair or replacement of any warranted part otherwise eligible for warranty coverage may be excluded from such warranty coverage if STIHL Incorporated demonstrates that the STIHL product has been abused, neglected, or improperly maintained, and that such abuse, neglect, or improper maintenance was the direct cause of the need for repair or replacement of the part. That notwithstanding, any adjustment of a component that has a factory installed,

and properly operating, adjustment limiting device is still eligible for warranty coverage.

Trademarks

STIHL Registered Trademarks

STIHL®

STIHL®



The color combination orange-grey (U.S. Registrations #2,821,860; #3,010,057, #3,010,058, #3,400,477; and #3,400,476)



AUTOCUT®

EASYSTART®

FARM BOSS®

iCademy®

MAGNUM®

MasterWrench Service®

MotoMix®

OILOMATIC®

ROCK BOSS®

STIHL Cutquik®

STIHL DUROMATIC®

STIHL Quickstop®

STIHL ROLLOMATIC®

STIHL WOOD BOSS®

TIMBERSPORTS®

WOOD BOSS®

YARD BOSS®

Some of STIHL's Common Law Trademarks



4-MIX™

BioPlus™

Easy2Start™

EasySpool™

ElastoStart™

Ematic™

FixCut™

HT Plus™

IntelliCarb™

Master Control Lever™

Micro™

Pro Mark™

English

Quad Power ™

Quiet Line ™

STIHL Arctic ™

STIHL Compact ™

STIHL HomeScaper Series ™

STIHL Interchangeable Attachment
Series ™

STIHL M-Tronic ™

STIHL MiniBoss ™

STIHL MotoPlus 4 ™

STIHL Multi-Cut HomeScaper Series ™

STIHL OUTFITTERS ™

STIHL PICCO ™

STIHL PolyCut ™

STIHL PowerSweep ™

STIHL Precision Series ™

STIHL Protech ™

STIHL RAPID ™

STIHL SuperCut ™

STIHL Territory ™

TapAction ™

TrimCut ™

This listing of trademarks is subject to
change.

Any unauthorized use of these
trademarks without the express written
consent of
ANDREAS STIHL AG & Co. KG,
Waiblingen is strictly prohibited.

Contenido

Acerca de este manual de instrucciones	36	Declaración de garantía de STIHL Incorporated sobre el control de emisiones de gases de escape y emisiones por evaporación para el Estado de California	67
Medidas de seguridad y técnicas de manejo	36	Marcas comerciales	70
Instalación del soplador	47		
Armado de la picadora aspiradora	48		
Combustible	49		
Llenado de combustible	51		
Arranque / parada del motor	51		
Limpieza del filtro de aire	54		
Gestión del motor	54		
Ajuste del carburador	55		
Convertidor catalítico	56		
Bujía	56		
Funcionamiento del motor	57		
Dispositivo de arranque	58		
Almacenamiento de la máquina	58		
Inspección y mantenimiento por el concesionario	58		
Información para mantenimiento	59		
Componentes importantes	60		
Especificaciones	63		
Información de reparación	64		
Desecho	64		
Declaración de garantía de STIHL Incorporated sobre sistemas de control de emisiones según normas Federales	65		

Permita que solamente las personas que comprenden la materia tratada en este manual manejen su soplador.

Para obtener el rendimiento y satisfacción máximos del soplador STIHL, es importante que lea, obedezca y comprenda las precauciones de seguridad y las instrucciones de uso y mantenimiento dadas en el capítulo "Precauciones de seguridad y técnicas de uso", antes de usar el soplador. Para obtener información adicional, visite www.stihlusa.com.

Comuníquese con su representante de STIHL o el distribuidor de STIHL para su zona si no se entiende alguna de las instrucciones dadas en el presente manual.

ADVERTENCIA

Dado que el soplador es una herramienta que funciona a gran velocidad, es necesario tomar medidas especiales de seguridad igual que con cualquier otra herramienta motorizada, para reducir el riesgo de lesiones. El uso descuidado o inadecuado puede causar lesiones graves e incluso mortales.

STIHL®

Acerca de este manual de instrucciones

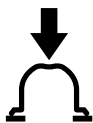
Pictogramas

Todos los pictogramas que se encuentran fijados o grabados en la máquina se explican en este manual.

Según el modelo, los pictogramas siguientes pueden aparecer en su máquina.



Tanque de combustible que contiene la mezcla de combustible y aceite



Presione para accionar la bomba manual de combustible

Símbolos en el texto

Muchas de las instrucciones de uso y seguridad vienen acompañadas de ilustraciones.

Los pasos individuales o procedimientos descritos en el manual pueden estar señalados en diferentes maneras:

- Se usa un punto para denotar un paso o procedimiento.

Una descripción de un paso o procedimiento que se refiere directamente a una ilustración puede contener números de referencia que aparecen en la ilustración. Ejemplo:

- Suelte el tornillo (1).
- Palanca (2) ...

Además de las instrucciones de uso, en este manual pueden encontrarse párrafos a los que usted debe prestar atención especial. Tales párrafos están marcados con los símbolos y las palabras identificadoras que se describen a continuación.



PELIGRO
Indica un riesgo inminente de lesiones graves o mortales.



ADVERTENCIA
Identifica una situación de peligro que, al no evitarse, puede resultar en lesiones graves o mortales.

INDICACIÓN

Indica el riesgo de daños a la propiedad, incluyendo a la máquina o sus componentes.

Mejoramientos técnicos

La filosofía de STIHL es mejorar continuamente todos sus productos. Como resultado de ello, periódicamente se introducen cambios de diseño y mejoras. Por lo tanto, es posible que algunos cambios, modificaciones y mejoras no se describen en este manual. Si las características de funcionamiento o la apariencia de su máquina difieren de las descritas en este manual, comuníquese con el concesionario STIHL para obtener la ayuda que requiera.

Medidas de seguridad y técnicas de manejo



Puesto que el uso de un soplador puede resultar peligroso, es necesario tomar precauciones de seguridad especiales para reducir el riesgo de lesiones personales.



Es importante que usted lea, comprenda bien y respete las siguientes advertencias y medidas de seguridad. Lea el manual de instrucciones y las precauciones de seguridad periódicamente. El uso descuidado o inadecuado puede causar lesiones graves o incluso la muerte.

Pida a su concesionario STIHL que le enseñe el manejo de la herramienta motorizada. Respete todas las disposiciones, reglamentos y normas de seguridad locales del caso.



ADVERTENCIA
No preste ni alquile nunca su herramienta motorizada sin entregar el manual de instrucciones. Asegúrese de que todas las personas que utilicen la máquina hayan comprendido la información que contiene este manual.



ADVERTENCIA
Utilice el soplador únicamente para limpiar hojas, ramas pequeñas, pasto, trozos de papel, suciedad y polvo de los

prados, jardines, complejos deportivos, parques, senderos, calles, entradas de vehículos y estacionamientos, así como para tareas similares.

No debe usarse para ningún otro propósito ya que el uso indebido puede resultar en lesiones personales o daños a la propiedad, incluso daños de la máquina.

ADVERTENCIA

Nunca se debe permitir a los niños que usen esta herramienta motorizada. No se debe permitir la proximidad de otras personas, especialmente de niños, ni de animales en los lugares donde se esté utilizando la máquina.

ADVERTENCIA

Para reducir el riesgo de ocasionar lesiones a las personas en la cercanía y daños a la propiedad, nunca deje la herramienta motorizada en marcha desatendida. Cuando no está en uso (por ejemplo durante el descanso), apáguela y asegúrese que las personas no autorizadas no puedan usarla.

La mayoría de las medidas de seguridad y avisos contenidos en este manual se refieren al uso de todos los sopladores de STIHL. Los distintos modelos pueden contar con piezas y controles diferentes. Vea la sección correspondiente de su manual de instrucciones para tener una descripción de los controles y la función de los componentes de su modelo.

El uso seguro de un soplador atañe a

1. el operador
2. la herramienta motorizada
3. el uso de la herramienta motorizada

EL OPERADOR

Condición física

Usted debe estar en buenas condiciones físicas y psíquicas y no encontrarse bajo la influencia de ninguna sustancia (drogas, alcohol, etc.) que le pueda restar visibilidad, destreza o juicio. No maneje esta máquina cuando está fatigado.

ADVERTENCIA

Esté alerta. Si se cansa, tómese un descanso. El cansancio puede provocar una pérdida del control. El uso de cualquier herramienta motorizada es fatigoso. Si usted padece de alguna dolencia que pueda ser agravada por la fatiga, consulte a su médico antes de utilizar esta máquina.

ADVERTENCIA

El uso prolongado de una herramienta motorizada (u otras máquinas) expone al operador a vibraciones que pueden provocar el fenómeno de Raynaud (dedos blancos) o el síndrome del túnel carpiano.

Estas condiciones reducen la capacidad de las manos de sentir y regular la temperatura, producen entumecimiento y ardor y pueden provocar trastornos nerviosos y circulatorios, así como necrosis de los tejidos.

ADVERTENCIA

Este soplador STIHL no está provisto de sistema antivibraciones ("AV"). Otros modelos de sopladores STIHL se ofrecen con sistemas AV diseñados

para reducir la transmisión de las vibraciones creadas por la máquina a las manos del operador. Se recomienda el uso del sistema AV a aquellas personas que utilizan herramientas motorizadas en forma constante y regular.

No se conocen todos los factores que contribuyen a la enfermedad de Raynaud, pero el clima frío, el fumar y las enfermedades o condiciones físicas que afectan los vasos sanguíneos y la circulación de la sangre, como asimismo los niveles altos de vibración y períodos prolongados de exposición a la vibración son mencionados como factores en el desarrollo de la enfermedad de Raynaud. Por lo tanto, para reducir el riesgo de la enfermedad de dedos blancos y del síndrome del túnel carpiano, sírvase notar lo siguiente:

- Mantenga las manos abrigadas.
- Una herramienta motorizada con componentes sueltos también tiende a tener niveles más elevados de vibración.
- Agarre firmemente los mangos en todo momento, pero no los apriete con fuerza constante y excesiva. Tómese descansos frecuentes.

Todas las precauciones antes mencionadas no le garantizan que va a estar totalmente protegido contra la enfermedad de Raynaud o el síndrome del túnel carpiano. Por lo tanto, los operadores constantes y regulares deben revisar con frecuencia el estado de sus manos y dedos. Si aparece alguno de los síntomas arriba mencionados, consulte inmediatamente al médico.

ADVERTENCIA

El sistema de encendido de la máquina STIHL produce un campo electromagnético de intensidad muy baja. El mismo puede interferir con algunos tipos de marcapasos. Para reducir el riesgo de lesiones graves o mortales, las personas portadoras de marcapasos deben consultar a sus médicos y al fabricante del marcapasos antes de usar esta máquina.

Vestimenta adecuada

ADVERTENCIA

Para reducir el riesgo de lesiones el operador debe usar el equipo protector adecuado.

ADVERTENCIA



Para reducir el riesgo de lesionarse los ojos, nunca maneje la herramienta motorizada si no tiene puestas gafas o anteojos de seguridad bien ajustados con una protección adecuada en las partes superior y lateral que satisfagan la norma ANSI Z87 "+" (o la norma nacional correspondiente).

El ruido de la herramienta motorizada puede dañar los oídos. Siempre use amortiguadores del ruido (tapones u orejeras) para protegerse los oídos. Los usuarios constantes y regulares deben someterse con frecuencia a un examen o control auditivo.

Esté especialmente alerta y tenga cuidado cuando se usa protectores de oídos, ya que los mismos reducen la posibilidad de oír señales de advertencia (gritos, alarmas, etc.).



La ropa debe ser de confección fuerte y ajustada, pero no tanto que impida la completa libertad de movimiento.



Evite el uso de chaquetas sueltas, bufandas, corbatas, joyas, pantalones anchos o con vuelta, cabello largo sin recoger o cualquier cosa que pudiera ser aspirada por el conducto de admisión. Sujétese el pelo de modo que quede sobre los hombros.



Es muy importante tener una buena superficie de apoyo para los pies. No use sandalias o pies descalzos.

LA HERRAMIENTA MOTORIZADA

Para las ilustraciones y definiciones de los componentes de la herramienta motorizada, vea el capítulo sobre "Piezas principales".

ADVERTENCIA

Nunca modifique, de ninguna manera, esta herramienta motorizada. Utilice únicamente los accesorios suministrados por STIHL o expresamente autorizados por STIHL para usarse con el modelo específico de soplador STIHL. Si bien es posible conectar a la herramienta motorizada de STIHL ciertos accesorios no autorizados, su uso puede ser, en la práctica, extremadamente peligroso.

Si la máquina experimenta cargas excesivas para las cuales no fue diseñada (por ejemplo, impactos severos o una caída), siempre asegúrese que esté en buenas

condiciones antes de seguir con el trabajo. Inspeccione específicamente la integridad del sistema de combustible (ausencia de fugas), y asegúrese de que los controles y dispositivos de seguridad funcionen como corresponde. No siga manejando esta máquina si está dañada. En caso de dudas, pida que el concesionario de servicio de STIHL la revise.

ADVERTENCIA

Las partículas pequeñas (por ej. el polvo) que pasan por el tubo de soplado y la boquilla pueden cargar el tubo con electricidad estática. Esto ocurre especialmente en condiciones de baja humedad y mucho polvo. Para reducir el riesgo de electrochoques causados por cargas estáticas y la posibilidad de lesiones causadas al perder el control de la máquina, su soplador tiene características que ayudan a reducir la acumulación de electricidad estática en el tubo de soplado y equilibrar la carga con respecto al motor y/o el operador.

El mango de control está diseñado para conducir la electricidad estática hacia el motor por vía del cable del acelerador y desde el mango hasta tierra por vía del operador.

USO DE LA HERRAMIENTA MOTORIZADA

Transporte de la herramienta motorizada

ADVERTENCIA

Cuando transporte la herramienta motorizada en un vehículo, sujétela firmemente para impedir su vuelco, el derrame de combustible y el daño a la unidad.

Combustible

La herramienta motorizada STIHL utiliza una mezcla de aceite-gasolina como combustible (vea el capítulo "Combustible" en el manual del propietario).

ADVERTENCIA



La gasolina es un combustible muy inflamable. Si se derrama y arde a causa de una chispa u otra fuente de ignición, puede provocar un incendio y quemaduras graves o daños a la propiedad. Tenga sumo cuidado cuando manipule gasolina o la mezcla de combustible. No fume cerca del combustible o la herramienta motorizada, ni acerque ningún fuego o llama a ellos. Puede escapar vapor inflamable del sistema de combustible.

Instrucciones para el llenado de combustible

ADVERTENCIA

Cargue de combustible su herramienta motorizada en lugares al aire libre bien ventilados. Siempre apague el motor y deje que se enfríe antes de llenar de combustible. Dependiendo del combustible utilizado, de las condiciones climáticas y del sistema de ventilación del depósito, es posible que se forme vapor de gasolina a presión dentro del depósito de combustible.

Para reducir el riesgo de quemaduras, así como otras lesiones corporales ocasionadas por los escapes de vapor de gasolina y otras emanaciones, quite la tapa de llenado de combustible de la herramienta motorizada cuidadosamente de modo que la presión que se pueda haber acumulado en el depósito se disipe lentamente. Nunca quite la tapa de llenado de combustible mientras el motor esté funcionando.

Elija una superficie despejada para llenar el depósito y aléjese 3 m (10 pies) por lo menos del lugar en que lo haya llenado antes de arrancar el motor. Limpie todo el combustible derramado antes de arrancar la máquina.

! ADVERTENCIA



Compruebe que no existen fugas de combustible mientras llena el depósito y durante el funcionamiento de la máquina. Si detecta alguna fuga de combustible, no arranque el motor ni lo haga funcionar sin antes reparar la fuga y limpiar el combustible derramado. Tenga cuidado de no mancharse la ropa con combustible. Si la mancha, cámbiesela inmediatamente.

! ADVERTENCIA



Las vibraciones de la máquina pueden aflojar una tapa de combustible que ha quedado mal apretada, o simplemente soltarla y derramar combustible. Para reducir el riesgo de derrames e incendio, apriete la tapa de llenado de combustible a mano tan firmemente como sea posible.

Antes de arrancar

! ADVERTENCIA

Siempre revise la herramienta motorizada para comprobar que está en buenas condiciones y que funciona correctamente antes de arrancarla, en particular el gatillo de aceleración, el

bloqueo del mismo y el interruptor de parada. El gatillo de aceleración debe moverse libremente. Nunca intente modificar los controles o los dispositivos de seguridad.

! ADVERTENCIA

Revise el sistema de combustible en busca de fugas, especialmente las partes visibles, por ejemplo, la tapa de llenado, conexiones de mangueras y la bomba de combustible manual (únicamente para herramientas motorizadas equipadas con una bomba de combustible de mano). No arranque el motor si se observan fugas o daños – ¡Riesgo de incendios! Solicite al concesionario que repare la máquina antes de usarla.

! ADVERTENCIA

No maneje nunca una herramienta motorizada que esté dañada, mal ajustada o mantenida o que no fue armada completa y debidamente.

Para reducir el riesgo de lesiones, no haga funcionar el soplador sin que tenga instalado correctamente el tubo de soplado.

! ADVERTENCIA

Asegúrese de que el casquillo de la bujía esté firmemente colocado – un casquillo suelto puede crear un arco voltaico y encender los vapores del combustible, provocando un incendio.

! ADVERTENCIA

Mantenga los mangos limpios y secos en todo momento; es particularmente importante mantenerlos libres de humedad, aceite, combustible, grasa o resinas para garantizar que la máquina pueda empuñarse firmemente para mantenerla bajo control seguro.

Arranque

! ADVERTENCIA

Arranque el motor solamente al aire libre, por lo menos 3 m (10 pies) del lugar en que lo haya llenado.

! ADVERTENCIA

Su herramienta motorizada es una máquina que debe ser manejada por solamente una persona. No deje que otras personas estén en el lugar de trabajo, aun durante el arranque.

Para las instrucciones específicas de arranque, vea la sección correspondiente en el manual del usuario. Coloque la herramienta motorizada sobre suelo firme u otra superficie sólida en un lugar abierto. Mantenga el equilibrio y elija un buen punto de apoyo para los pies.

! ADVERTENCIA

Para reducir el riesgo de sufrir lesiones causadas por la pérdida de control, no intente arrancar el motor de la herramienta "por lanzamiento".

! ADVERTENCIA

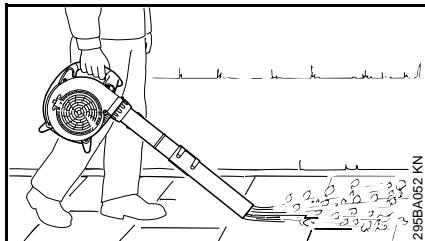
Cuando tire del mango de arranque, no enrolle la cuerda de arranque alrededor de la mano. No deje que el mango retroceda bruscamente, sino guíe la cuerda de arranque para que se enrolle debidamente. Si no ejecuta este procedimiento puede lastimarse la mano o los dedos y también dañar el mecanismo de arranque.

! ADVERTENCIA

Tan pronto arranque, accione inmediatamente por un breve momento el gatillo de aceleración para desconectarlo de la posición de arranque y permitir que el motor se desacelere a la marcha en vacío.

Durante el funcionamiento

Sujeción y control de la herramienta motorizada



El soplador ha sido diseñado para usarse con una sola mano, con la mano derecha o izquierda en el mango de control.

Esté atento a la presencia de animales pequeños al usar el soplador en suelos despejados, patios y jardines.

! ADVERTENCIA

Haga funcionar la máquina exclusivamente con el tubo de soplado correctamente instalado.

La boquilla redonda es particularmente útil para usarse en superficies desparejas (por ejemplo, campos y prados).

La boquilla tipo abanico (suministrada con la unidad o disponible como un accesorio especial) produce un chorro ancho y poderoso de aire a nivel del suelo. Puede dirigirse y controlarse con mucha precisión. Esta boquilla es sumamente eficaz para limpiar aserrín, hojas, pasto cortado, etc. de superficies pavimentadas.

Se debe tener cuidado especial cuando las condiciones del suelo son resbaladizas (suelo húmedo, nieve) y en terreno difícil y con mucha vegetación. Para evitar tropezarse, esté atento a los obstáculos ocultos tales como tocones, raíces y zanjas. Para obtener un punto de apoyo seguro, quite las ramas caídas, los matorrales y el material cortado. Sea sumamente precavido cuando trabaje en declives o terreno irregular.

! ADVERTENCIA

Para reducir el riesgo de lesiones causadas por la pérdida del control, nunca trabaje sobre una escalera, un árbol o cualquier otra superficie de soporte poco seguro. Nunca mantenga la máquina a una altura más arriba de los hombros.

Condiciones de trabajo

Para reducir al mínimo el tiempo de soplado, use un rastrillo y una escoba para aflojar la basura antes de usar el soplador.

Siempre que sea posible, conserve el agua usando un soplador en lugar de mangueras para aquellas tareas de jardinería que permitan su uso, por ejemplo, al limpiar jardines o patios.

Técnica recomendada de trabajo para reducir la contaminación atmosférica al mínimo:

- Si las condiciones son sumamente polvorientas, humedezca las superficies levemente antes de usar el soplador.
- Extraiga la boquilla a su largo total para poner la corriente de aire cerca al suelo.
- No sople partículas hacia los terceros, especialmente hacia los niños, animales domésticos, ventanas abiertas o vehículos recién lavados. Tenga sumo cuidado en tales situaciones.
- Coloque los desperdicios barridos por el chorro de aire en tolvas de basura - no los dirija hacia alguna propiedad vecina.

Técnica recomendada de trabajo para reducir los ruidos al mínimo:

- Utilice la herramienta motorizada solamente en horas razonables - no muy temprano de mañana, ni muy tarde por la noche, ni durante el descanso del mediodía, cuando se podría perturbar a otras personas. Respete los períodos de descanso establecidos en su localidad.

Recomendación normal para uso profesional en días laborales: de las 0900 a las 1200 horas y de 1500 a 1700. Tenga consideración especial por los vecinos durante los fines de semana.

- Al reducir el número de motores en marcha se reduce el ruido. Donde sea posible, no haga funcionar más de una herramienta motorizada a la vez.
- Maneje los sopladores a la velocidad de motor más baja posible que permita cumplir con la tarea.
- Revise el soplador antes de iniciar los trabajos. Preste atención especial al silenciador, las tomas de aire y el filtro de aire.

Maneje y arranque su herramienta motorizada solamente al aire libre en un lugar bien ventilado. Manéjela solamente en condiciones de buena visibilidad y a la luz del día. Trabaje con mucho cuidado.

ADVERTENCIA



Tan pronto arranca, este producto genera vapores de escape tóxicos que contienen productos químicos (tales como hidrocarburos sin quemar y monóxido del carbono, incluyendo el benceno) considerados como causantes de enfermedades respiratorias, cáncer, defectos de nacimiento u otra toxicidad reproductora. Algunos de estos gases (por ej., monóxido de carbono) pueden ser incoloros e inodoros. Para reducir el riesgo de sufrir lesiones graves o mortales por respirar gases tóxicos, nunca haga funcionar la máquina puertas adentro o en lugares mal ventilados.

ADVERTENCIA

La inhalación de ciertos polvos, especialmente los polvos orgánicos, tales como el moho o polen, puede provocar reacciones alérgicas o asmáticas en las personas sensibles. La inhalación repetida o de grandes cantidades de polvo u otros contaminantes del aire, especialmente los de partículas pequeñas puede causar enfermedades respiratorias o de otro tipo. Controle el polvo en su fuente, siempre que sea posible. Utilice buenas prácticas de trabajo, tal como trabajar de manera que el viento o el proceso de

corte dirija el polvo producido por la herramienta motorizada en sentido opuesto del operador. Observe las recomendaciones emitidas por EPA/OSHA/NIOSH y las asociaciones de trabajo y los sindicatos con respecto al polvo ("materia particulada"). Cuando sea imposible eliminar significativamente la inhalación del polvo, es decir mantener el nivel cerca del valor ambiente, el operador y las personas que se encuentren en la cercanía siempre deberán usar un respirador aprobado por NIOSH/MSHA para el tipo de polvo presente en el lugar.

ADVERTENCIA

Si la sustancia que se está soplando es un producto comercial, repase, entienda y respete todas las advertencias e instrucciones contenidas en la hoja de datos de seguridad de materiales de la sustancia y/o consulte al fabricante/proveedor del producto. El estado de California y algunas otras autoridades han publicado varias listas de sustancias carcinógenas, de toxicidad reproductora, etc.

ADVERTENCIA

La aspiración del polvo de asbesto es peligrosa y puede causar lesiones graves o mortales, enfermedades de las vías respiratorias o cáncer. El uso y la eliminación de los productos que contienen asbesto están estrictamente reglamentados por OSHA y el Organismo para la Protección del Medio Ambiente (EPA) de los EE.UU. Si por cualquier motivo cree que está soplando o perturbando asbesto, póngase en

contacto inmediatamente con su empleador o un representante de OSHA local.

! ADVERTENCIA

El polvo que contenga sílice puede contener sílice cristalina. La sílice es un componente básico de la arena, cuarzo, ladrillos, arcilla, granito y numerosos minerales y rocas, incluyendo productos de mampostería y de hormigón. La inhalación repetida y/o sustancial de la sílice cristalina en suspensión en el aire puede causar una enfermedad respiratoria grave o mortal, incluida la silicosis. Además, el estado de California y algunas otras autoridades han colocado a la sílice cristalina en la lista de sustancias carcinógenas.

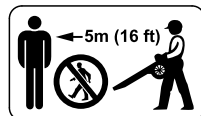
Cuando trabaje con tales materiales, siempre tome las medidas de precaución respiratorias antes mencionadas.

Instrucciones de manejo

! ADVERTENCIA

En caso de emergencia, apague el motor inmediatamente – mueva el interruptor de parada a 0.

! ADVERTENCIA



Para reducir el riesgo de que otras personas sufran lesiones graves o mortales causadas por objetos lanzados, siempre mantenga a los terceros a una distancia no menor de 5 m (16 pies) de la herramienta motorizada cuando se encuentre en marcha.

Apague el motor inmediatamente si se le aproxima alguna persona.

! ADVERTENCIA

Para reducir el riesgo de sufrir lesiones personales, nunca dirija el chorro de aire hacia otras personas, puesto que la presión elevada del chorro puede lesionar los ojos y lanzar objetos pequeños a velocidad alta. No dirija el chorro de aire hacia los animales domésticos.

! ADVERTENCIA

El ventilador soplador ubicado entre el conducto de admisión y las aberturas de salida gira siempre que el motor esté en marcha.

Nunca inserte objetos extraños en la toma de aire de la máquina ni en la boquilla del soplador. Esto puede dañar el rotor del ventilador y puede causar

lesiones graves al operador o a las demás personas, como resultado de los objetos o partículas lanzados a velocidad alta.

No coloque el soplador en el suelo mientras funciona a velocidad alta, puesto que objetos pequeños tales como arena, pasto, polvo, etc. pueden aspirarse por la toma de aire y dañar el rotor del ventilador. Se recomienda apagar la máquina antes de colocarla en el suelo.

! ADVERTENCIA

Nunca modifique el silenciador. La modificación del silenciador podría causar el aumento del calor irradiado, de las chispas y del nivel de ruido, lo que aumentará el riesgo de incendios, lesiones por quemadura o la pérdida auditiva. Además, se podría dañar permanentemente el motor. Haga reparar el silenciador únicamente por el concesionario de servicio STIHL.

! ADVERTENCIA

El silenciador y otros componentes del motor (por ej., aletas del cilindro, bujía) se calientan durante el funcionamiento y permanecen calientes por un buen rato después de apagar el motor. Para reducir el riesgo de quemaduras, no toque el silenciador ni los otros componentes mientras están calientes. Mantenga limpia la zona alrededor del silenciador. Quite el lubricante excesivo y toda la basura tal como las agujas de pinos, ramas u hojas. Deje que el motor se enfríe apoyado sobre una superficie de hormigón, metal, suelo raso o madera maciza, lejos de toda sustancia combustible.

! ADVERTENCIA

Una caja de cilindro dañada o mal instalada, o una envuelta del silenciador dañada o deformada, puede perjudicar el proceso de enfriamiento del silenciador. Para reducir el riesgo de incendio o lesiones por quemadura, no continúe trabajando con una caja de cilindro dañada o mal instalada, o una envuelta del silenciador dañada o deformada.

El silenciador tiene un chispero diseñado para reducir el riesgo de incendio debido a la emisión de partículas calientes. Nunca haga funcionar la unidad sin tener instalado el chispero. Si la mezcla de gasolina y aceite está correcta (no es demasiado rica), en condiciones normales el chispero quedará limpio como resultado del calor del silenciador y no necesitará servicio ni mantenimiento. Si el rendimiento de su máquina comienza a disminuir y sospecha que las rejillas están obstruidas, haga reparar el silenciador por un concesionario de servicio STIHL. Para ciertas aplicaciones, las leyes o los reglamentos estatales o federales pueden requerir el uso de un chispero en buenas condiciones. Consulte la sección "Mantenimiento, Reparación y Almacenamiento" de estas Medidas de seguridad. Recuerde que el riesgo de incendios de matorrales o forestales es mayor durante las estaciones calurosas y secas.

! ADVERTENCIA



Algunas herramientas motorizadas STIHL están equipadas con un convertidor catalítico, el que está diseñado para reducir las emisiones de escape del motor mediante un proceso químico en el silenciador. Debido a este proceso, el silenciador no se enfría tan rápidamente como los del tipo convencional cuando el motor vuelve a marchar en vacío o se apaga. Para reducir el riesgo de incendios y lesiones por quemadura al usar un convertidor catalítico, apoye siempre su herramienta motorizada en posición vertical y no la coloque nunca donde el silenciador quede cerca de material seco como por ejemplo matorrales, pasto, virutas de madera u otros materiales combustibles mientras todavía está caliente.

Uso del accesorio de aspiradora

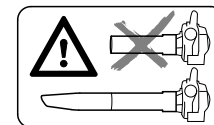
Para las instrucciones específicas de armado, vea la sección correspondiente en el manual de instrucciones. No utilice este aparato en el modo de aspiradora sin tener la bolsa recolectora en su lugar.



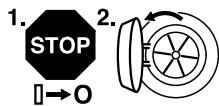
El accesorio de aspiradora ha sido diseñado para usarse con las dos manos. Sostenga y maneje la máquina colocando la mano derecha en el mango de control y la mano izquierda en el mango auxiliar.

Colóquese la correa de hombro para la bolsa sobre el hombro izquierdo, no a través del pecho, para poder quitar rápidamente la unidad y la bolsa recolectora en caso de emergencia.

! ADVERTENCIA



Para reducir el riesgo de sufrir lesiones, nunca use la máquina sin tenerla completamente armada con un tubo de aspiración y una bolsa correctamente instalados.

! ADVERTENCIA

Para reducir el riesgo de sufrir lesiones causadas por el contacto con las piezas giratorias y daños al motor, la rejilla de admisión siempre debe estar cerrada y debe tener la lengüeta de traba en su lugar cuando el tubo de aspiración no está instalado. Antes de abrir la rejilla de admisión, apague el motor y espere hasta que el ventilador se detenga.

! ADVERTENCIA

Para reducir el riesgo de sufrir lesiones personales causadas por los incendios y explosiones, nunca intente recoger sustancias calientes o que estén ardiendo (por ejemplo, cenizas encendidas, cigarrillos sin extinguir) o líquidos combustibles (por ejemplo, gasolina, diluyentes de pintura).

**! ADVERTENCIA**

La aspiración de ciertos materiales puede obstruir el ventilador. Apague la unidad inmediatamente. Luego, elimine el bloqueo.

Tenga cuidado especial al aspirar hojas húmedas puesto que éstas pueden obstruir la turbina del ventilador y el codo.

! ADVERTENCIA

Nunca limpie objetos sólidos, tales como clavos, virutas de acero, tachuelas, piedras o pedazos de vidrio roto. Estos objetos pueden chocarse contra la turbina del ventilador, salir lanzados a velocidad alta y lesionar el operador o los terceros.

INDICACIÓN

La aspiración de materiales abrasivos (tales como arena, roca picada, etc.), causa el desgaste acelerado de la turbina y de la caja del ventilador. Esto causa una pérdida significativa de la potencia de aspiración. En tal caso, comuníquese con el concesionario. STIHL recomienda acudir a un concesionario STIHL para servicio.

Esté atento a la presencia de animales pequeños al usar la aspiradora en suelos despejados, patios y jardines.

MANTENIMIENTO, REPARACIÓN Y ALMACENAMIENTO

Los trabajos de mantenimiento, reemplazo o reparación de los dispositivos y sistemas de control de emisiones de escape pueden ser realizados por cualquier taller o técnico de motores no diseñados para vehículos. Sin embargo, si usted está reclamando cobertura de garantía para algún componente que no ha sido reparado o mantenido debidamente, o cuando se utilizan repuestos no autorizados, STIHL puede denegar la garantía.

! ADVERTENCIA

Utilice solamente piezas de repuesto de STIHL para el mantenimiento y la reparación. El uso de piezas no fabricadas por STIHL puede causar lesiones graves o mortales.

Siga precisamente las instrucciones de mantenimiento y reparación dadas en la sección correspondiente de este manual de instrucciones. Consulte la tabla de mantenimiento en este manual de instrucciones.

! ADVERTENCIA

Siempre apague el motor y verifique que el ventilador está parado antes de llevar a cabo cualquier trabajo de mantenimiento, reparación o limpieza de la herramienta motorizada. No intente hacer ningún trabajo de mantenimiento o reparación que no esté descrito en este manual de

instrucciones. Este tipo de trabajo debe ser realizado únicamente por el concesionario de servicio de STIHL.

No limpie la máquina con una lavadora a presión. El chorro fuerte de agua puede dañar las piezas de la máquina.

ADVERTENCIA

Use la bujía especificada y asegúrese de que ella y el cable de encendido estén limpios y en buen estado. Siempre inserte el casquillo de la bujía bien apretado en el borne de la bujía del tamaño adecuado. (Nota: Si el borne tiene una tuerca adaptadora SAE desmontable, tiene que ser firmemente instalada). Una conexión suelta entre el borne de la bujía y el conector del cable de encendido en el casquillo puede crear un arco voltaico y encender los vapores del combustible, provocando un incendio.

ADVERTENCIA

No pruebe nunca el sistema de encendido con el casquillo del cable desconectado de la bujía, o sin tener instalada la bujía, ya que las chispas al descubierto pueden causar un incendio.

ADVERTENCIA

Nunca maneje su herramienta motorizada si el silenciador está dañado, se ha perdido o si fue modificado. Un silenciador mal cuidado aumenta el riesgo de incendio y puede causar pérdida de audición. El silenciador está equipado con un chispero para reducir el riesgo de incendio; no maneje nunca su herramienta motorizada si le falta el

chispero o está dañado. Recuerde que el riesgo de incendios de matorrales o forestales es mayor durante las estaciones calurosas y secas.

En California, es una violación de los acápites § 4442 o § 4443 o del Código de Recursos Públicos el uso de herramientas con motor de gasolina en tierras cubiertas por bosques, arbustos o pasto a menos que el sistema de escape del motor cuente con un chispero que satisfaga los requisitos legales y que reciba el mantenimiento adecuado para estar en buenas condiciones de funcionamiento. El propietario/operador de este producto es responsable del mantenimiento adecuado del chispero. Otras entidades/agencias estatales o gubernamentales, tales como el Servicio Forestal de los EE.UU., pueden tener requisitos similares. Comuníquese con el cuerpo de bomberos de su localidad o con el servicio forestal para informarse en cuanto a las leyes y reglamentos relacionados con los requisitos de protección contra incendios.

Apriete todas las tuercas, pernos y tornillos, excepto los tornillos de ajuste del carburador, después de cada uso.

Para mayor información, consulte también la tabla de mantenimiento en este manual de instrucciones.

Guarde la herramienta motorizada en un lugar seco y elevado o con llave lejos del alcance de los niños.

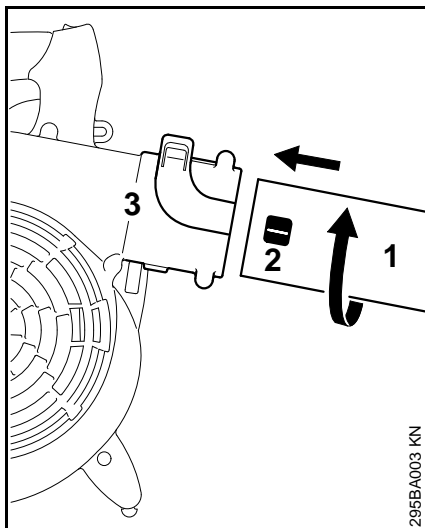
Antes de guardar la máquina durante un período de más de algunos días, siempre vacíe el tanque de combustible.

Consulte el capítulo "Almacenamiento de la máquina" en este manual de instrucciones.

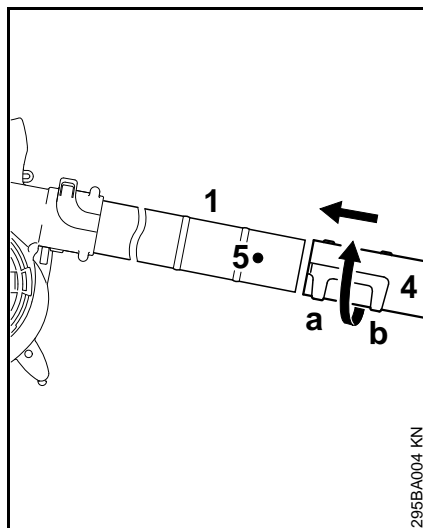
Guarde el combustible solamente en un envase de seguridad aprobado para tal uso que tiene un rótulo apropiado. Manipule la gasolina con sumo cuidado. Por motivos de salud y seguridad, evite el contacto directo con la piel y evite inhalar los vapores de combustible.

Instalación del soplador

Montaje del tubo soplador

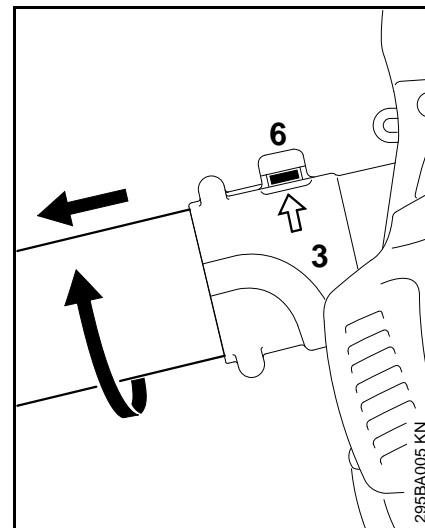


- Inserte el tubo (1) con la orejeta (2) dentro del cabo (3) de la caja del ventilador y gírelo en el sentido indicado por la flecha para trabarlo en su posición.



- Empuje la boquilla (4) en el tubo de soplado (1) hasta la orejeta (5), posición (a) (larga) o posición (b) (corta), y gire la boquilla en el sentido indicado por la flecha para fijarla en su lugar.

Retiro del tubo de aspiración



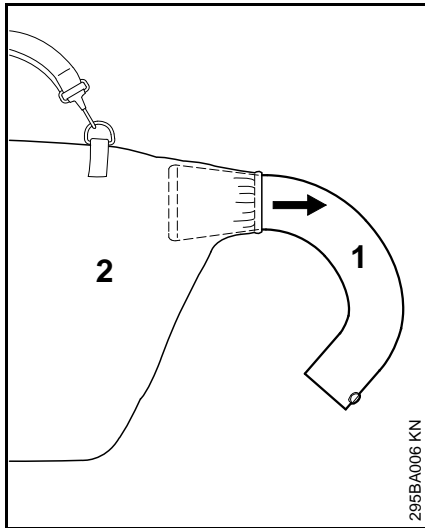
- Utilice una herramienta adecuada para levantar la pestaña (6) del cabo (3) de la caja del ventilador.
- Gire el tubo del soplador en el sentido indicado por la flecha y sáquelo.

Consulte "Armado de la picadora aspiradora" para las instrucciones de instalación y retiro del accesorio de aspiradora.

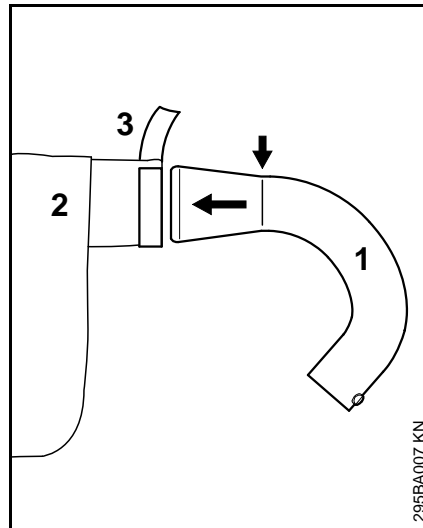
Armado de la picadora aspiradora

El accesorio de aspiradora se suministra como un accesorio especial.

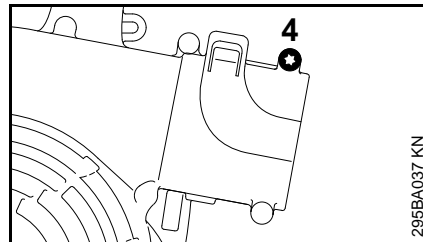
Colocación del codo



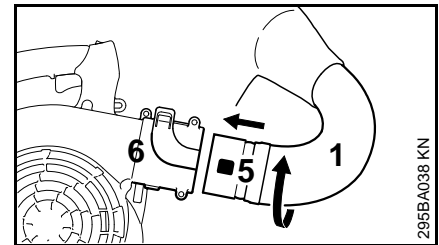
- Desde el interior de la bolsa recolectora (2), empuje el codo (1) a través de la abertura de entrada y tire del mismo hacia afuera hasta asentarlo firmemente.
- Conecte la correa de transporte.



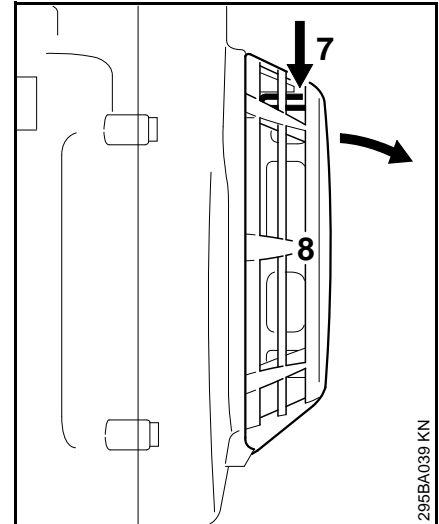
- Empuje el codo (1) dentro de la bolsa recolectora (2) hasta la marca y asegúrelo con la tira de Velcro (3).



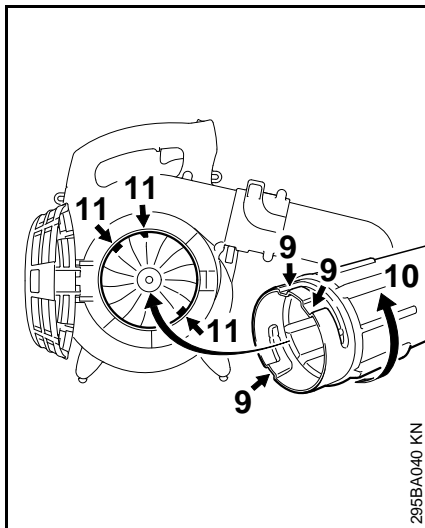
- Afloje el tornillo (4).



- Inserte el codo (1) con la orejeta (5) dentro del cabo (6) de la caja del ventilador y gírelo en el sentido indicado por la flecha para trabarlo en su posición.
- Apriete el tornillo (4) firmemente.

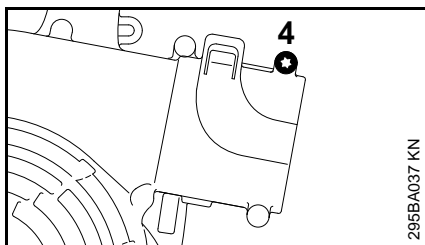


- Utilice una herramienta adecuada para soltar la pestaña (7) de la rejilla de admisión (8) y después abra la rejilla de admisión.

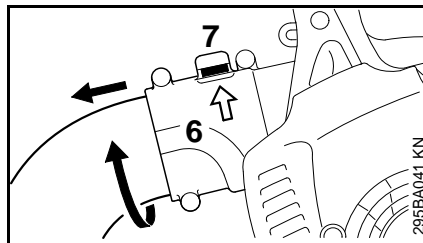


- Empuje las guías (9) del tubo de aspiración (10) sobre las orejetas (11) de la caja del ventilador y
- gire el tubo de aspiración en el sentido de la flecha para trabarlo en posición.

Retiro del codo



- Afloje el tornillo (4).



- Utilice una herramienta adecuada para levantar la pestaña (7)
- del cabo (6) de la caja del ventilador.
- Gire el codo en el sentido indicado por la flecha y sáquelo.
- Apriete el tornillo (4) firmemente.

Combustible

Este motor está certificado para funcionar con una mezcla de 50 a 1 de gasolina sin plomo y aceite STIHL para motores de dos tiempos.

Su motor requiere una mezcla de gasolina de alta calidad y aceite para motores de dos tiempos enfriados por aire.

Utilice gasolina sin plomo de grado intermedio con un octanaje mínimo de 89 ((R+M)/2) y un contenido de etanol no mayor que el 10%.

El combustible de octanaje bajo puede aumentar la temperatura de funcionamiento del motor. Esto, a su vez, aumenta el riesgo de que se agarrote el pistón y se dañe el motor.

La composición química del combustible también es importante. Algunos aditivos de combustible no solamente tienen efectos perjudiciales en los elastómeros (diafragmas de carburador, sellos de aceite, tuberías de combustible, etc.), sino también en las piezas fundidas de magnesio y en los convertidores catalíticos. Esto podría causar problemas de funcionamiento e incluso daño del motor. Por esta razón, STIHL recomienda el uso exclusivo de gasolina sin plomo reconocida de buena calidad.

La gasolina con un contenido de etanol mayor que el 10% puede causar problemas de funcionamiento y averías graves en motores, por lo cual no debe utilizarse.

El contenido de etanol en la gasolina afecta el régimen de marcha del motor – podría resultar necesario reajustar el carburador si se utilizan combustibles con diversos niveles de contenido de etanol.

! ADVERTENCIA

Para reducir el riesgo de lesiones personales debido a la pérdida de control y/o al contacto con la herramienta de corte en movimiento, no use una máquina cuyo régimen de marcha en vacío está mal regulado. Cuando el marcha en vacío está correctamente regulado, la herramienta de corte no debe moverse.

Si su herramienta motorizada indica que el régimen de marcha en vacío está mal regulado, pida a su representante de STIHL que revise la herramienta motorizada y haga los ajustes o reparaciones correspondientes.

Las velocidades de ralentí y máxima del motor varían si se cambia el combustible por otro con un contenido mayor o menor de etanol.

Este problema se evita si siempre se utiliza combustible con un mismo contenido de etanol.

Use solamente el aceite STIHL para motores de dos tiempos o un aceite de marca equivalente para motores de dos tiempos diseñado para usar exclusivamente con los motores de dos tiempos enfriados por aire.

Se recomienda usar aceite STIHL HP Ultra para motores de 2 tiempos, puesto que éste ha sido formulado especialmente para uso en motores STIHL.

No use aceites para mezclar con designaciones BIA o TCW (para motores de dos tiempos enfriados por agua) ni otros aceites para mezclar diseñados para usar en motores enfriados por agua o por aire (por ejemplo, en motores marinos fuera de borda, motonieves, sierras de cadenas, bicimotos, etc.).

! ADVERTENCIA

Manipule la gasolina con sumo cuidado. Evite el contacto directo con la piel y evite inhalar los vapores de combustible. Cuando se reabastece de combustible, quite primero el envase del vehículo y colóquelo en el suelo antes de llenarlo. Para reducir el riesgo de la formación de chispas causadas por la descarga de electricidad estática y un posible incendio y/o explosión, no llene los envases de combustible cuando están colocados dentro de un vehículo o remolque.

Mantenga el envase bien cerrado para limitar la cantidad de humedad que penetre en la mezcla.

Limpie el tanque de combustible de la máquina según sea necesario.

Duración de la mezcla de combustible

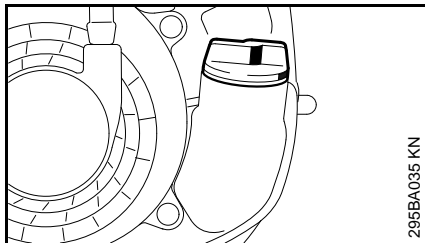
Mezcle una cantidad suficiente de combustible para trabajar unos pocos días, no lo guarde por más de 30 días. Guárdelo únicamente en envases aprobados para combustible. Para el proceso de mezclado, vierta el aceite en el envase primero y luego agregue la gasolina. Cierre el envase y agítelo

vigorosamente a mano para asegurar que se mezclen bien el aceite y la gasolina.

Gasolina gal EE.UU.	Aceite (STIHL 50:1 ó aceite de alta calidad equivalente) oz fl EE.UU.
1	2,6
2 1/2	6,4
5	12,8

Deseche los envases vacíos usados para mezclar el aceite únicamente en vertederos autorizados para ello.

Llenado de combustible



Antes de llenar la máquina con combustible, limpie a fondo la tapa de llenado y la zona alrededor del mismo para evitar la entrada de tierra al tanque.

Siempre agite bien la mezcla en el recipiente antes de llenar la máquina con combustible.

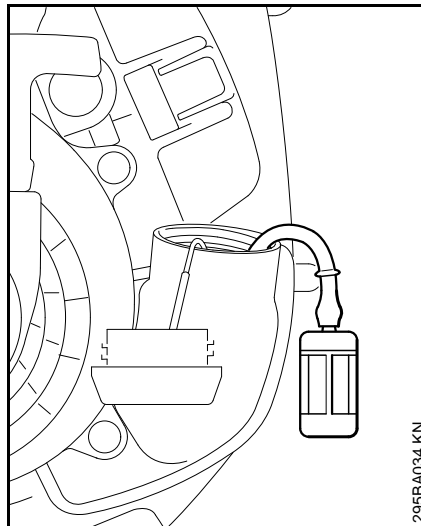
! ADVERTENCIA

Para reducir el riesgo de quemaduras, así como de incendios y de lesiones corporales ocasionadas por los escapes de vapor de gasolina y otras emanaciones, quite la tapa de llenado de combustible cuidadosamente de modo que la presión que se pueda haber acumulado en el tanque se disipe lentamente.

! ADVERTENCIA

Después de haber cargado la máquina con combustible, apriete la tapa del tanque tan firmemente como sea posible con la mano.

Cambie el recogedor de combustible una vez al año



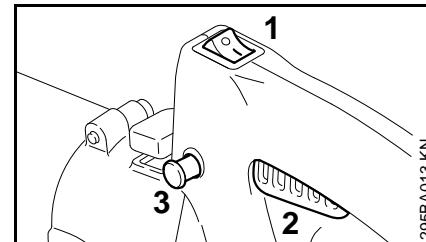
Antes de almacenar la máquina por un período prolongado, vacíe y limpie el tanque de combustible y ponga el motor en marcha hasta que se seque el combustible del carburador.

Arranque / parada del motor

Arranque del motor

- Respete las medidas de seguridad.

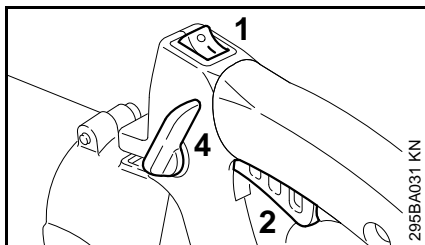
BG 55, 65, SH 55



- Mueva el interruptor de parada (1) a la posición de marcha I.
- Oprima el gatillo de aceleración (2) y pulse el botón de bloqueo (3) al mismo tiempo.
- Suelte el gatillo de aceleración.
- Suelte el botón de bloqueo – **esta es la posición de arranque del acelerador.**

El botón de bloqueo puede usarse para trabar el gatillo de aceleración en la posición de aceleración máxima durante el funcionamiento.

BG 85, SH 85

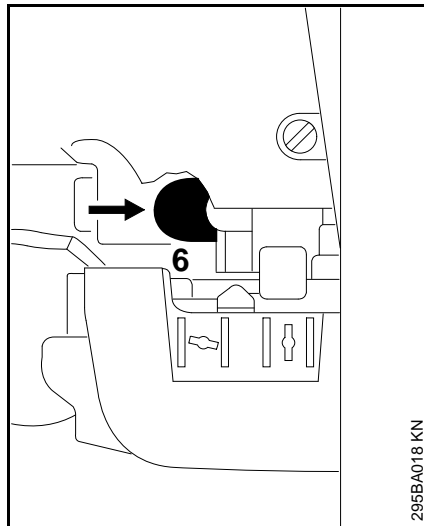


- Mueva el interruptor de parada (1) a la posición de marcha I.
- Oprima el gatillo de aceleración (2) y mueva la palanca de ajuste (4) a su posición intermedia al mismo tiempo.
- Suelte el gatillo de aceleración – **esta es la posición de aceleración de arranque.**

La palanca de ajuste le permite seleccionar y mantener cualquier aceleración entre la de ralentí y máxima. Ponga la palanca de ajuste en la posición de marcha en vacío antes de apagar el motor.

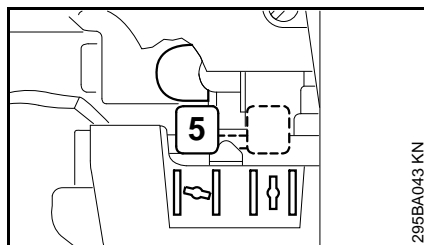
Todos los modelos

Ajuste de palanca del estrangulador



- Oprima el bulbo (6) de la bomba de combustible manual por lo menos cinco veces, aunque el bulbo esté lleno de combustible.

Si el motor está frío



- Ponga la palanca del estrangulador (5) en **I**.
- Tire de la cuerda de arranque cinco veces.

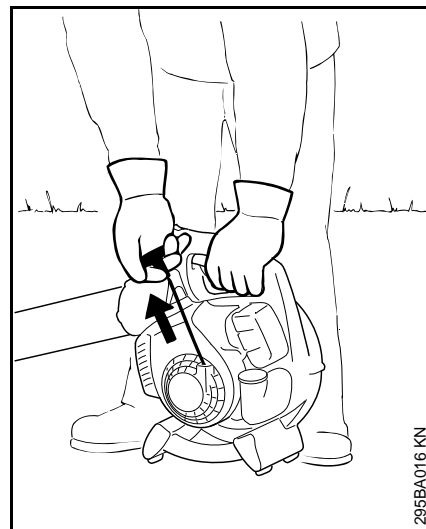
- Ponga la palanca del estrangulador (5) en **II**.
- Continúe haciendo girar el motor hasta que arranque.

Si el motor está caliente

- Ponga la palanca del estrangulador (5) en **II**.

También utilice esta posición si el motor ha estado en marcha, pero todavía se encuentra frío.

Arranque



- Coloque la unidad sobre el suelo de modo que quede bien apoyada.
- Asegúrese de tener los pies bien apoyados: Sujete la máquina con la mano izquierda en la caja y empujela hacia abajo firmemente.

- Sujete el mango de arranque con la mano derecha.
- Tire lentamente del mango de arranque hasta que sienta el enganche del mismo y en seguida dele un tirón fuerte y rápido.

INDICACIÓN

No tire de la cuerda de arranque totalmente hasta fuera, se podría romper.

- No deje que el mango de arranque salte bruscamente hacia atrás. Guíelo lentamente hacia el interior de la caja para que la cuerda de arranque se enrolle correctamente.

Tan pronto arranca

BG 55, 65, SH 55

- Oprima el gatillo de aceleración momentáneamente para que el botón de bloqueo salte hacia fuera - el motor reduce su régimen a ralenti.

BG 85, SH 85

- Mueva la palanca de ajuste hacia delante hasta que tope.

Parada del motor

- Mueva el interruptor de parada a 0.

Sugerencias adicionales para el arranque

Si el motor se para durante el calentamiento o al acelerarlo

- Repita el procedimiento de arranque – consulte "Si el motor está frío".

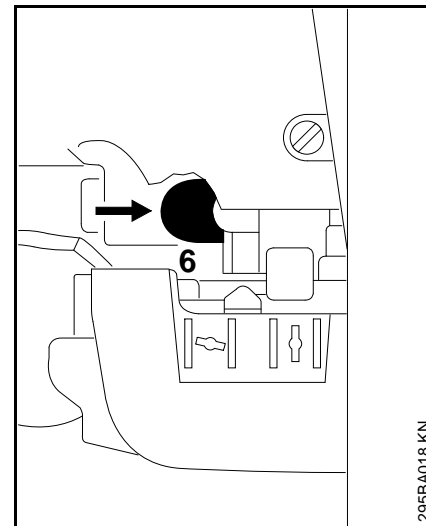
Si el motor no arranca

- Asegúrese que todos los ajustes sean los correctos (obturador del estrangulador, gatillo de aceleración en posición de arranque, interruptor de parada en posición I).
- Repita el procedimiento de arranque.

Si el motor todavía no arranca

- Mueva el interruptor de parada a 0.
- Quite la bujía – vea "Bujía".
- Seque la bujía.
- Haga girar el motor varias veces con el arrancador para despejar la cámara de combustión.
- Vuelva a colocar la bujía – vea "Bujía".
- Mueva el interruptor de parada a I.
- Ponga la palanca del estrangulador en \pm – incluso si el motor está frío.
- Ahora arranque el motor.

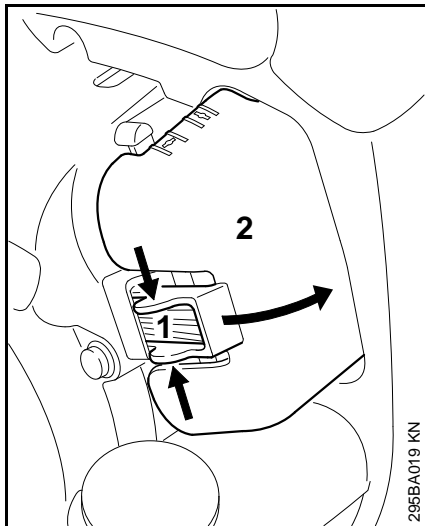
Si se ha dejado que se agote el combustible y se ha vuelto a llenar el tanque



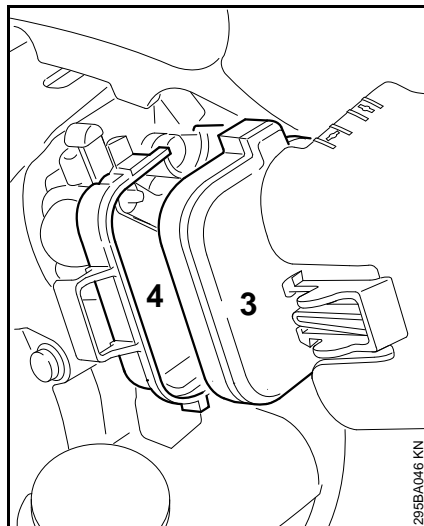
- Oprima el bulbo (6) de la bomba de combustible manual por lo menos cinco veces, aunque el bulbo esté lleno de combustible.
- Ajuste la palanca del estrangulador según la temperatura del motor.
- Arranque el motor.

Limpieza del filtro de aire

Si se nota una pérdida considerable de la potencia del motor



- Ponga la palanca del estrangulador en \bar{I}
- Comprima las pestañas (1).
- Gire la tapa (2) del filtro para abrirla y retírela.
- Limpie toda la suciedad de alrededor del filtro.



- Extraiga el filtro (3) de la caja (4).
- Instale un filtro nuevo. Como una medida provisoria, límpielo golpeándolo en la palma de la mano o soplándolo con aire comprimido - ¡No lo lave!

Sustituya las piezas dañadas.

- Coloque el filtro (3) en su caja (4).
- Coloque la tapa (2) del filtro de modo que se traben en su lugar.

Gestión del motor

Las emisiones de gases de escape son controladas por el diseño de parámetros y componentes fundamentales del motor (por ej. carburación, encendido, regulación y regulación de las válvulas o la lumbreira) sin la adición de ningún equipo importante.

Funcionamiento errático a marcha en vacío, la velocidad del motor se baja al girar la máquina

Marcha en vacío con mezcla muy rica

- Gire el tornillo de ajuste de velocidad baja (L) lentamente en sentido horario hasta que el motor funcione y se acelere de modo uniforme.

Generalmente es necesario cambiar el ajuste del tornillo de marcha en vacío (LA) después de cada corrección hecha al tornillo de velocidad baja (L).

Ajuste fino para funcionamiento a alturas grandes

Una corrección muy leve puede ser necesaria si el motor no funciona correctamente:

- Lleve a cabo el ajuste normal.
- Caliente el motor.
- Gire el tornillo de ajuste de velocidad alta (H) en sentido horario (mezcla más pobre), pero no más allá del tope.

INDICACIÓN

Después de que la máquina haya regresado del punto a altura grande, devuelva el carburador al ajuste normal.

Si el ajuste es demasiado pobre existe el riesgo de dañar el motor debido a una lubricación insuficiente y calor excesivo.

Convertidor catalítico

Las herramientas motorizadas con convertidor catalítico (dependiendo del modelo) se pueden hacer funcionar con **gasolina sin plomo** y **aceite de motor de dos tiempos STIHL** en una mezcla de 50 : 1 – vea el capítulo “Combustible”.

El convertidor catalítico incorporado en el silenciador reduce las emisiones nocivas presentes en el gas de escape.

El ajuste correcto del carburador (si es ajustable) y el uso de la mezcla especificada de gasolina y aceite para motores de dos tiempos son esenciales para reducir al mínimo las emisiones nocivas de gases de escape y asegurar una larga vida útil del convertidor catalítico.

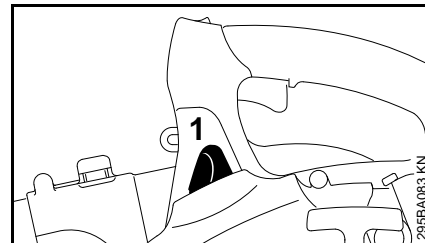
Bujía

Si el motor pierde potencia, es difícil arrancarlo o funciona de modo irregular a ralentí, revise la bujía primero.

Instale una bujía nueva después de aprox. 100 horas de funcionamiento, o más temprano si los electrodos están muy gastados.

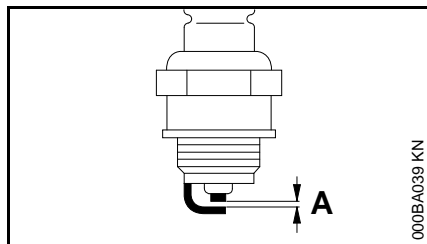
Si la mezcla del combustible es incorrecta (demasiado aceite en la gasolina), el filtro de aire está sucio, y las condiciones de trabajo no son favorables (especialmente a aceleraciones intermedias) se afecta la condición de la bujía. Estos factores permiten la formación de depósitos en la punta aislante, los cuales pueden perjudicar el rendimiento.

Retiro de la bujía



- Quite el casquillo de la bujía (1).
- Destornille la bujía.

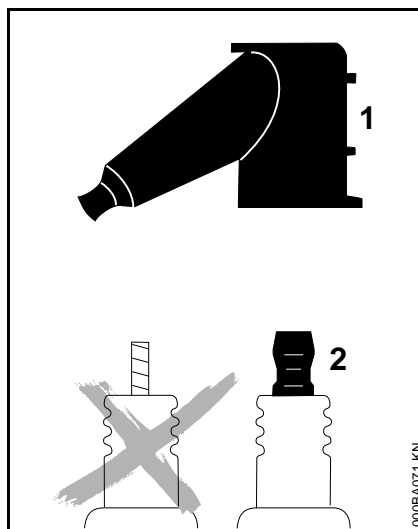
Revisión de la bujía



- Limpie la bujía si está sucia.
- Revise la separación entre electrodos (A) y ajústela de ser necesario – vea "Especificaciones".
- Utilice únicamente bujías tipo resistencia cuyo margen de rendimiento sea el aprobado.

Corrija los problemas que hayan causado la contaminación de la bujía:

- demasiado aceite en la mezcla de combustible,
- filtro de aire sucio,
- condiciones desfavorables de funcionamiento, por ejemplo, funcionando bajo carga parcial.



! ADVERTENCIA

Para reducir el riesgo de incendio y de quemaduras, utilice solamente las bujías autorizadas por STIHL. Siempre empuje el casquillo (1) de la bujía firmemente en el borne (2) del tamaño adecuado. (Nota: Si el borne tiene una tuerca adaptadora SAE desmontable, tiene que ser firmemente instalada). Una conexión suelta entre el casquillo de la bujía y el conector del cable de encendido en el casquillo puede crear un arco voltaico y encender los vapores del combustible, provocando un incendio.

Instalación de la bujía

- Atornille a fondo la bujía, coloque el casquillo y empújelo firmemente en su lugar.

Funcionamiento del motor

Si el funcionamiento del motor es insatisfactorio aunque el filtro de aire está limpio y el carburador ha sido debidamente ajustado, la causa puede hallarse en el silenciador.

Solicite al concesionario que revise si hay contaminación (coquización) en el silenciador.

STIHL recomienda que un concesionario STIHL autorizado efectúe los trabajos de mantenimiento y reparación.

Dispositivo de arranque

Para prolongar la vida útil de la cuerda de arranque, siempre observe los puntos siguientes:

- Tire de la cuerda de arranque solamente en el sentido especificado.
- No tire de la cuerda sobre el borde del buje guía.
- No tire de la cuerda más de lo especificado.
- No deje que el mango de arranque retroceda bruscamente, guíelo lentamente hacia el interior de la caja – vea el capítulo "Arranque/Parada del motor."

Pida que el concesionario de servicio sustituya la cuerda de arranque dañada oportunamente. STIHL recomienda que un concesionario STIHL autorizado efectúe los trabajos de mantenimiento y reparación.

Almacenamiento de la máquina

Para intervalos de 3 meses o más

- Vacíe y limpie el tanque de combustible en una zona bien ventilada.
- Deseche el combustible de acuerdo con los requerimientos locales de protección del medio ambiente.
- Haga funcionar el motor hasta que el carburador se seque. Esto ayuda a evitar que los diafragmas del carburador se peguen.
- Limpie la máquina a fondo - preste atención especial a las aletas del cilindro y al filtro de aire.
- Guarde la máquina en un lugar seco y elevado, o bajo llave – fuera del alcance de los niños y de otras personas no autorizadas.

Inspección y mantenimiento por el concesionario

Chispero en silenciador

- Si el motor pierde potencia, revise el chispero del silenciador.

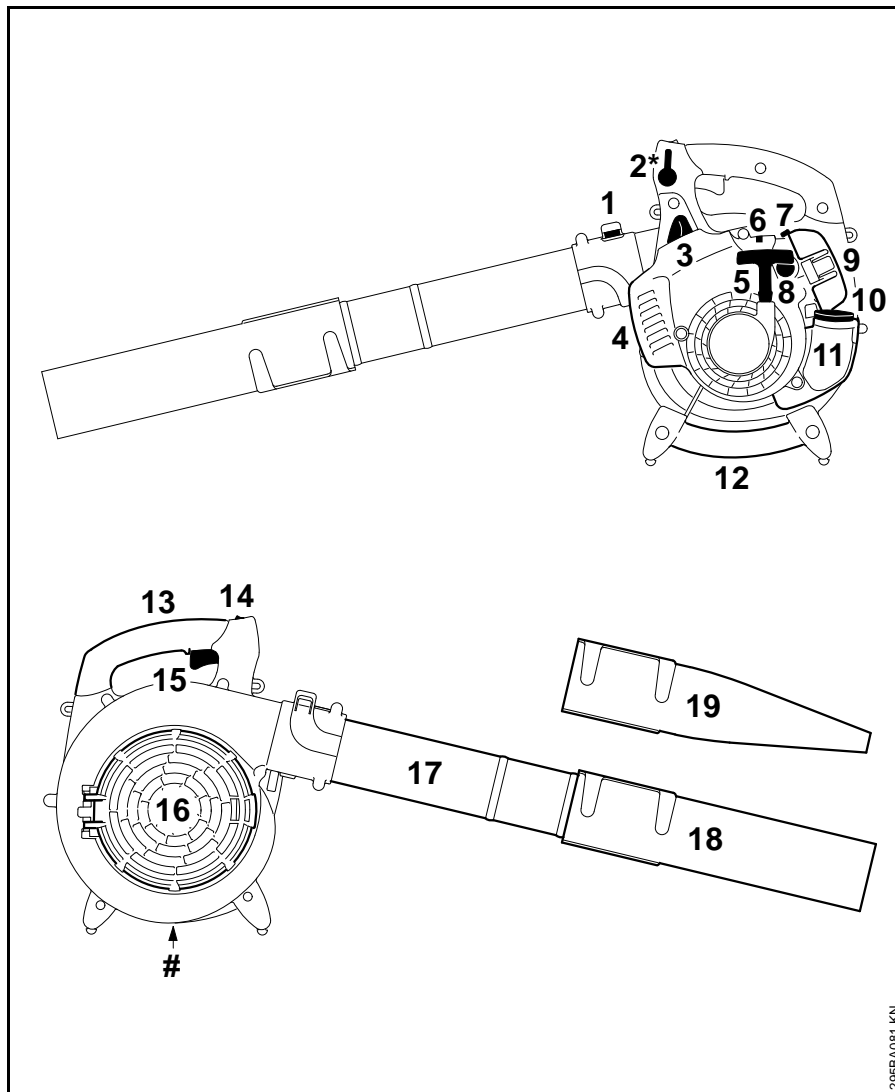
STIHL recomienda que un concesionario STIHL autorizado efectúe los trabajos de mantenimiento y reparación.

Información para mantenimiento

Los intervalos que se indican a continuación corresponden únicamente a condiciones normales de funcionamiento. Si la jornada diaria es más prolongada que lo normal, o bien si las condiciones son extremas (zonas con demasiado polvo, etc.), acorte apropiadamente los intervalos indicados.		antes de comenzar el trabajo	después de completar el trabajo o diariamente	después de cada parada para cargar combustible	semanalmente	mensualmente	cada 12 meses	si hay problemas	si presenta daños	según se requiera
Máquina completa	Inspección visual (condición general, desgaste, fugas)	x		x						
	Limpiar		x							
Mango de control	Comprobar el funcionamiento	x		x						
Filtro de aire	Limpiar							x		x
	Reemplazar								x	x
Bomba de combustible manual (si la tiene)	Revisar	X								
	Solicitar al concesionario de servicio su reparación ¹⁾								X	
Filtro en tanque de combustible	Revisar							x		
	Sustituir el filtro						x		x	x
Depósito de combustible	Limpiar							x		x
Carburador	Revisar velocidad de marcha en vacío	x		x						
	Ajustar la marcha en vacío									x
Bujía	Ajustar la distancia entre electrodos							x		
	Sustituir después de 100 horas de uso									
Parachispas en el silenciador	Revisar							x		
	Solicitar al concesionario de servicio su sustitución ¹⁾								x	x
Entradas de enfriamiento	Limpiar									x
Todos los tornillos y tuercas accesibles (salvo los tornillos de ajuste)	Volver a apretar									x
Etiquetas de seguridad	Reemplazar								x	

¹⁾ STIHL recomienda acudir a un concesionario de servicio de STIHL.

Componentes importantes



- 1 Pestaña
- 2 Palanca de ajuste*
- 3 Casquillo de bujía
- 4 Silenciador
- 5 Mango de arranque
- 6 Tornillo de ajuste del carburador
- 7 Palanca del estrangulador
- 8 Bomba de combustible manual
- 9 Caja del filtro
- 10 Tapa de llenado de combustible
- 11 Tanque de combustible
- 12 Mango auxiliar
- 13 Mango de control
- 14 Interruptor
- 15 Gatillo de aceleración
- 16 Rejilla de admisión
- 17 Tubo del soplador
- 18 Boquilla redonda
- 19 Boquilla tipo abanico*
- # Número de serie

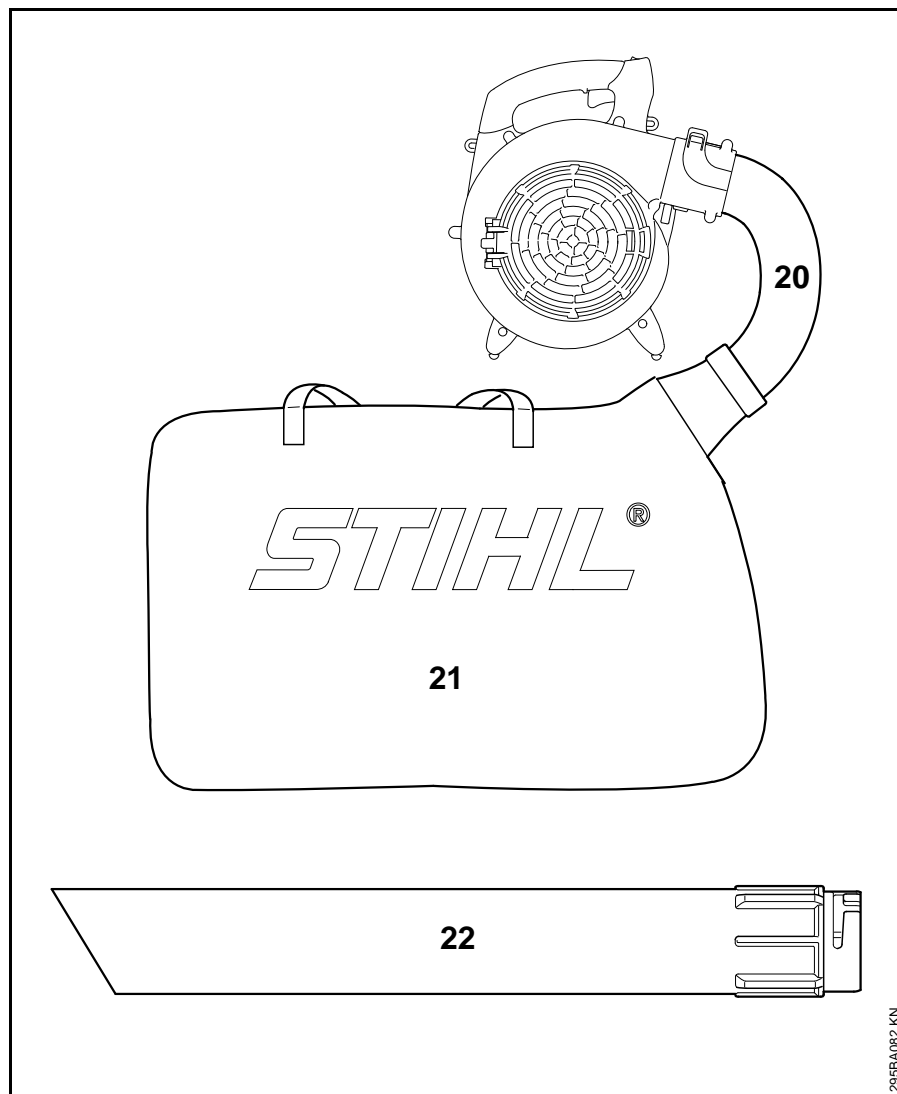
* Depende del modelo – accesorio especial

Definiciones

- 1. **Pestaña**
Diseñada para fijar el tubo del soplador a la máquina.
- 2. **Palanca de ajuste**
Mantiene el gatillo de aceleración en posición.
- 3. **Casquillo de bujía**
Conecta la bujía al alambre de encendido.

285BA081 KN

- 4. Silenciador**
Reduce los ruidos del escape del motor y desvía los gases de escape lejos del usuario.
- 5. Mango de arranque**
El mango del arrancador usado para arrancar el motor.
- 6. Tornillos de ajuste del carburador**
Para afinar el carburador.
- 7. Palanca del estrangulador**
Facilita el arranque del motor al enriquecer la mezcla.
- 8. Bomba de combustible manual**
Suministra alimentación adicional de combustible para el arranque en frío.
- 9. Caja del filtro**
Cubre y protege el elemento del filtro de aire.
- 10. Tapa de llenado de combustible**
Para tapan el depósito de combustible.
- 11. Tanque de combustible**
Contiene la mezcla de combustible y aceite.
- 12. Mango auxiliar**
Mango adicional para usar el tubo de aspiración como aspiradora sujetándolo con la mano izquierda.
- 13. Mango de control**
El mango del soplador sujetado con la mano derecha.
- 14. Interruptor**
Para encender y apagar la máquina.
- 15. Gatillo de aceleración**
Regula la velocidad del motor.
- 16. Rejilla de admisión**
Se instala sobre la abertura de admisión para reducir el riesgo del contacto directo con la turbina del ventilador ubicada debajo de la rejilla.
- 17. Tubo del soplador**
Dirige el chorro de aire.
- 18. Boquilla redonda**
Se instala en el tubo de soplado para dirigir el chorro de aire.
- 19. Boquilla tipo abanico**
Boquilla alternativa para el tubo de soplado que sirve para acelerar el chorro de aire.



20 Tubo de aspiración*

21 Codo*

22 Bolsa recolectora*

* Depende del modelo – accesorio especial

Definiciones

20. Tubo de aspiración

Para dirigir la basura aspirada hacia la bolsa recolectora.

21. Codo

Para dirigir el chorro de aire y la basura hacia la bolsa recolectora.

22. Bolsa recolectora

Se instala en el codo para recoger la basura aspirada.

265BA082 KN

Especificaciones

EPA / CEPA

El período de cumplimiento de emisiones indicado en la etiqueta de cumplimiento de emisiones es la cantidad de horas de funcionamiento para la cual la máquina ha demostrado la conformidad con los requerimientos de emisiones del Gobierno federal de los EE.UU.

Categoría

A = 300 horas

B = 125 horas

C = 50 horas

CARB

El período de cumplimiento de emisiones empleado en la etiqueta del índice de aire CARB tiene las siguientes definiciones:

Extended = 300 horas

Intermediate = 125 horas

Moderate = 50 horas

Motor

Motor de un cilindro, dos tiempos

Cilindrada: 27,2 cc
(1,66 pulg cúb.)

Diámetro: 34 mm
(1,34 pulg)

Carrera: 30 mm
(1,18 pulg)

Potencia del motor según ISO 7293:

BG 55: 0,7 kW (0,9 bhp)

BG 65: 0,7 kW (0,9 bhp)

BG 85: 0,8 kW (1,1 bhp)

SH 55: 0,7 kW (0,9 bhp)

SH 85: 0,8 kW (1,1 bhp)

Marcha en vacío: 2800 r/min

Sistema de encendido

Encendido por magneto electrónico

Bujía (tipo resistencia): NGK BPMR 7 A,
Bosch WSR 6 F

Distancia entre electrodos: 0,5 mm
(0,02 pulg)

Sistema de combustible

Carburador de diafragma de todas posiciones con bomba de combustible integral

Capacidad del depósito de combustible: 0,4 l (13,5 oz. fl.)

Corriente máx. de aire

	Modo de soplador	Modo de aspiradora
BG 55:	730 m ³ /h (430 pies ³ /min)	600 m ³ /h (353 pies ³ /min)
BG 65:	730 m ³ /h (430 pies ³ /min)	600 m ³ /h (353 pies ³ /min)
BG 85:	780 m ³ /h (459 pies ³ /min)	625 m ³ /h (368 pies ³ /min)
SH 55:	730 m ³ /h (430 pies ³ /min)	600 m ³ /h (353 pies ³ /min)
SH 85:	780 m ³ /h (459 pies ³ /min)	625 m ³ /h (368 pies ³ /min)

Velocidad de aire con boquilla

BG 55:	63 m/s (140 mi/h)
BG 65:	78 m/s (174 mi/h)
BG 85:	82 m/s (183 mi/h)
SH 55:	63 m/s (140 mi/h)
SH 85:	82 m/s (183 mi/h)

Peso

BG 55:	4,1 kg (9,0 lb)
BG 65:	4,1 kg (9,0 lb)
BG 85:	4,2 kg (9,3 lb)
BG 85 con convertidor catalítico:	4,3 kg (9,5 lb)
SH 55:	5,1 kg (11,2 lb)
SH 85:	5,4 kg (11,9 lb)
SH 85 con convertidor catalítico:	5,5 kg (12,1 lb)

Información de reparación

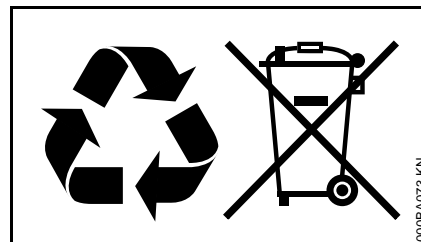
Los usuarios de esta máquina deben efectuar únicamente los trabajos de mantenimiento descritos en este manual. STIHL recomienda que un concesionario de servicio STIHL efectúe los demás trabajos de reparación.

Los reclamos de garantía presentados después de realizadas las reparaciones serán aceptados únicamente si las mismas fueron ejecutadas por un concesionario de servicio autorizado STIHL utilizando piezas de repuesto genuinas de STIHL.

Los repuestos genuinos STIHL se identifican por medio del número de pieza STIHL, el logotipo **STIHL**® y el símbolo de piezas STIHL **GI**. El símbolo aparece solo en algunas piezas pequeñas.

Desecho

Respete todas las leyes y los reglamentos sobre eliminación de desechos que correspondan a su país.



No se debe botar los aparatos STIHL en el basurero. Lleve el producto, los accesorios y el embalaje a un vertedero autorizado para reciclarlos y contribuir al cuidado del medio ambiente.

Comuníquese con un concesionario de servicio de STIHL para obtener la información más actualizada sobre la eliminación de desechos.

Declaración de garantía de STIHL Incorporated sobre sistemas de control de emisiones según normas Federales

No para California

Sus derechos y obligaciones de garantía

La Agencia de Protección del Medio Ambiente (EPA) de los EE.UU. y STIHL Incorporated se complacen en explicarle la garantía del sistema de control de emisiones instalado en el motor de su equipo. En los EE.UU., los nuevos motores pequeños para equipos de uso fuera de carretera modelos 1997 y posteriores deben estar diseñados, construidos y equipados, al tiempo de la venta, de conformidad con los reglamentos de la EPA de los EE.UU. para los motores pequeños de uso fuera de carretera. El motor del equipo debe carecer de defectos en el material y la fabricación que puedan causar el incumplimiento de las normas de la EPA de los EE.UU. durante los primeros dos años de uso del motor a partir de la fecha de compra por el último comprador.

STIHL Incorporated debe garantizar el sistema de control de emisiones en el motor pequeño para uso fuera de carretera por el intervalo mencionado más arriba, siempre que dicho motor no haya estado sujeto a maltrato, negligencia o cuidado inapropiado.

El sistema de control de emisiones de su máquina incluye piezas tales como el carburador y el sistema de encendido. Además puede incluir mangueras, conectores y otros conjuntos asociados con el control de emisiones.

En los casos de existir una condición amparada bajo garantía, STIHL Incorporated reparará el motor pequeño para equipo de uso fuera de carretera sin costo alguno, incluido el diagnóstico (si el trabajo de diagnóstico fue realizado por un concesionario autorizado), las piezas y la mano de obra.

Cobertura de garantía del fabricante

En los EE.UU., los motores pequeños para equipos de uso fuera de carretera modelos 1997 y posteriores también están garantizados por dos años. En el caso de encontrarse defectos en cualquiera de las piezas del motor relacionadas con el sistema de control de emisiones, la pieza será reparada o sustituida por STIHL Incorporated sin costo alguno.

Responsabilidades del usuario relativas a la garantía

Como propietario de motor pequeño para equipo de uso fuera de carretera, usted tiene la responsabilidad de realizar el mantenimiento requerido descrito en su manual de instrucciones. STIHL Incorporated le recomienda guardar todos los recibos comprobantes de los trabajos de mantenimiento hechos a su motor pequeño para equipo de uso fuera de carretera, pero STIHL Incorporated no puede negar garantía basado en el solo hecho de faltar los

recibos o del incumplimiento del propietario de realizar todos los trabajos de mantenimiento programados.

El uso de cualquier pieza de repuesto o servicio cuyo comportamiento y durabilidad sean equivalentes está permitido en trabajos de mantenimiento o reparación no contemplados en la garantía, y no reducirá las obligaciones de la garantía del fabricante del motor.

Sin embargo, como propietario del motor pequeño para equipo de uso fuera de carretera usted debe ser consciente de que STIHL Incorporated puede negarle cobertura de garantía si dicho motor o una pieza del mismo ha fallado debido a maltrato, descuido, mantenimiento inadecuado o modificaciones no autorizadas.

Usted es responsable de llevar el motor pequeño para equipo de uso fuera de carretera a un centro de servicio STIHL tan pronto surja el problema. Las reparaciones bajo garantía serán realizadas en un tiempo razonable, sin exceder de 30 días.

Ante cualquier duda respecto a sus derechos y responsabilidades bajo esta garantía, sírvase contactar al representante de atención al cliente STIHL llamando al 1-800-467-8445, o si lo prefiere puede escribir a

STIHL Inc.,
536 Viking Drive, P.O. Box 2015,
Virginia Beach, VA 23450-2015 EE.UU.

www.stihlusa.com

Cobertura por STIHL Incorporated

STIHL Incorporated garantiza al último comprador y a cada comprador subsiguiente que el motor pequeño para

equipo de uso fuera de carretera está diseñado, construido y equipado, al tiempo de la venta, de conformidad con todos los reglamentos aplicables. Además, STIHL Incorporated garantiza al comprador inicial y a cada comprador subsiguiente que el motor está libre de defectos en el material y fabricación que puedan causar el incumplimiento de los reglamentos aplicables durante un período de dos años.

Período de garantía

El período de garantía comienza en la fecha en que el motor del equipo utilitario es entregado a usted y usted firma y remite la tarjeta de garantía a STIHL.

Si cualquier componente relacionado con el sistema de control de emisiones está defectuoso, el mismo será sustituido por STIHL Incorporated sin costo alguno para el propietario. Cualquier pieza garantizada cuyo reemplazo no está programado como mantenimiento requerido, o que debe recibir únicamente inspección regular en el sentido de "reparar o sustituir según sea necesario", estará garantizada por el período de garantía. Cualquier pieza cuyo reemplazo está programado como mantenimiento requerido estará garantizada por el intervalo hasta el primer punto de reemplazo programado para esa pieza.

Diagnóstico

Como propietario, a usted no se le debe cobrar la mano de obra por los diagnósticos que determinen que una pieza garantizada está defectuosa. No obstante, si usted reclama garantía para un componente y se comprueba que la

máquina no está defectuosa, STIHL Incorporated le cobrará el costo de la prueba del sistema de control de emisiones. El trabajo de diagnóstico mecánico se realiza en un centro de servicio autorizado por STIHL. La prueba del sistema de control de emisiones se realiza ya sea en la fábrica de STIHL Incorporated o en un laboratorio de ensayos independiente.

Trabajo bajo garantía

STIHL Incorporated reparará los defectos amparados por la garantía en cualquier estación de garantía o centro de servicio autorizado por STIHL. Todo trabajo de este tipo se hará gratis para el propietario siempre que se determine que la pieza cubierta por la garantía está defectuosa.

Se puede usar cualquier pieza de repuesto aprobada por el fabricante o equivalente en las piezas relacionadas con el sistema de control de emisiones, y debe ser suministrada gratis al propietario. STIHL Incorporated es responsable por daños a otros componentes del motor causados por la falla de una pieza garantizada que todavía está bajo garantía.

La lista siguiente define específicamente las piezas garantizadas y relacionadas con las emisiones:

- Filtro de aire
- Carburador (si corresponde)
- Bomba de combustible
- Estrangulador (sistema de enriquecimiento de arranque en frío) (si corresponde)

- Varillajes de control
- Múltiple de admisión
- Sistema de encendido por magneto o electrónico (Módulo de encendido o unidad de control electrónica)
- Volante
- Bujía
- Válvula de inyección (si corresponde)
- Bomba de inyección (si corresponde)
- Carcasa del acelerador (si corresponde)
- Cilindro
- Silenciador
- Convertidor catalítico (si lo tiene)
- Tanque de combustible
- Tapa de tanque de combustible
- Línea de combustible
- Adaptadores de línea de combustible
- Abrazaderas
- Sujetadores/pernos

Dónde presentar el reclamo para servicio bajo garantía

Lleve el producto a cualquier centro de servicio autorizado por STIHL y presente la tarjeta de garantía firmada.

Requerimientos de mantenimiento

Las instrucciones presentadas en este manual se basan en la aplicación de la mezcla recomendada para motores de 2 tiempos (vea también la instrucción "Combustible"). Las discrepancias de

estas recomendaciones con respecto a la calidad y la proporción de la mezcla de combustible y aceite pueden exigir intervalos de mantenimiento más cortos.

Limitaciones

Esta garantía de los sistemas de control de emisiones no cubrirá ninguno de los puntos siguientes:

- reparación o sustitución requerida debido a maltrato, negligencia o falta del mantenimiento requerido,
 - reparaciones mal hechas o sustituciones contrarias a las especificaciones de STIHL Incorporated que afecten desfavorablemente el funcionamiento y/o la durabilidad, y las alteraciones o modificaciones no recomendadas o aprobadas por escrito por STIHL Incorporated,
- y
- la sustitución de piezas y otros servicios y ajustes necesarios para el mantenimiento requerido en y después del primer punto de reemplazo programado.

Declaración de garantía de STIHL Incorporated sobre el control de emisiones de gases de escape y emisiones por evaporación para el Estado de California

Solamente para California

Sus derechos y obligaciones de garantía

El Consejo de Recursos del Aire del Estado de California (CARB) y STIHL Incorporated se complacen en explicarle la Garantía del sistema de control de emisiones instalado en el motor de su equipo de uso fuera de carretera para el año 2014 y posteriores.

En California, el equipo nuevo que tiene motores pequeños para uso fuera de carretera debe estar diseñado, construido y equipado de conformidad con las rigurosas normas de contaminación del aire del estado. STIHL Incorporated debe garantizar el sistema de control de emisiones en el motor pequeño para uso fuera de carretera por el intervalo mencionado más arriba, siempre que dicho motor pequeño para uso fuera de carretera no haya estado sujeto a maltrato, negligencia o cuidado inapropiado.

Su sistema de control de emisiones puede incluir piezas tales como el carburador y el sistema de inyección de combustible, el sistema de encendido y el convertidor catalítico. Además puede incluir mangueras, correas, conectores y otros conjuntos asociados con el control de emisiones.

En los casos de existir una condición amparada bajo garantía, STIHL Incorporated reparará el motor pequeño para equipo de uso fuera de carretera sin costo alguno, incluido el diagnóstico, las piezas y la mano de obra.

Responsabilidades del fabricante relativas a la garantía

El sistema de control de emisiones tiene una garantía de dos años en California. En el caso de encontrarse defectos en cualquiera de los componentes del motor relacionados con el sistema de control de emisiones, el mismo será reparado o sustituido por STIHL Incorporated sin costo alguno.

Responsabilidades del propietario relativas a la garantía

Como propietario de motor pequeño para equipo de uso fuera de carretera, usted tiene la responsabilidad de realizar el mantenimiento requerido descrito en su manual de instrucciones. STIHL Incorporated le recomienda guardar todos los recibos comprobantes de los trabajos de mantenimiento hechos a su motor pequeño para equipo de uso fuera de carretera, pero STIHL Incorporated no puede negar garantía basado en el solo hecho de faltar los recibos o de su incumplimiento de realizar todos los trabajos de mantenimiento programados.

Sin embargo, como propietario del motor pequeño para equipo de uso fuera de carretera usted debe ser consciente de que STIHL Incorporated puede negarle cobertura de garantía si dicho motor o un componente del mismo

ha fallado debido a maltrato, descuido, mantenimiento inadecuado o modificaciones no autorizadas.

Usted es responsable de llevar el motor pequeño para equipo de uso fuera de carretera a un concesionario de servicio STIHL tan pronto surja el problema. Las reparaciones bajo garantía deben realizarse en un tiempo razonable, sin exceder de 30 días. Ante cualquier duda respecto a sus derechos y responsabilidades bajo esta garantía, sírvase contactar al representante de atención al cliente STIHL llamando al 1-800-467-8445, o si lo prefiere puede escribir a

STIHL Inc., 536 Viking Drive,
P.O. Box 2015,
Virginia Beach, VA 23450-2015 EE.UU.
www.stihlusa.com

Cobertura por STIHL Incorporated

STIHL Incorporated garantiza al último comprador y a cada comprador subsiguiente que el motor pequeño para equipo de uso fuera de carretera está diseñado, construido y equipado, al tiempo de la venta, de conformidad con todos los reglamentos acerca de emisiones aplicables.

Además, STIHL Incorporated garantiza al comprador inicial y a cada comprador subsiguiente que el motor está libre de defectos en el material y fabricación que puedan causar el incumplimiento de los reglamentos acerca de emisiones aplicables durante un período de dos años.

Período de garantía contra defectos

Los períodos de garantía comenzarán el día en que el motor de equipo utilitario es comprado por el comprador inicial. Si cualquier componente relacionado con el sistema de control de emisiones está defectuoso, el mismo será sustituido por STIHL Incorporated sin costo alguno para el propietario.

No se permite usar componentes adicionales o modificados que no hayan sido eximidos por el Consejo de Recursos del Aire (CARB). El uso de cualquier componente adicional o modificado no eximido será motivo para la denegación del reclamo bajo garantía. STIHL Incorporated no es responsable por las fallas de los componentes garantizados causadas por el uso de un componente adicional o modificado no eximido.

La garantía de los componentes relacionados con el control de emisiones se interpretará de la manera siguiente:

1. Cualquier componente garantizado cuyo reemplazo no está programado como mantenimiento requerido en las instrucciones escritas requeridas en la Lista de Piezas bajo la Garantía de Control de Emisiones (vea más abajo) debe garantizarse por el período de garantía definido en la subsección COBERTURA POR STIHL INCORPORATED, vea más arriba. Si uno de estos componentes falla durante el período de garantía, el fabricante debe reparar o sustituir el mismo de acuerdo con la

subsección (4) más abajo. Un componente reparado o sustituido bajo la garantía debe garantizarse durante el resto del período de garantía.

2. Cualquier componente garantizado que solamente debe inspeccionarse periódicamente de acuerdo con las instrucciones escritas requeridas en la Lista de Piezas bajo la Garantía de Control de Emisiones (vea más abajo) debe garantizarse por el período de garantía definido en la subsección COBERTURA POR STIHL INCORPORATED, vea más arriba. Una declaración en las instrucciones escritas tal como "reparar o sustituir según sea necesario" no acortará el período de cobertura de garantía. Un componente de este tipo reparado o sustituido bajo la garantía debe garantizarse durante el resto del período de garantía.
3. Cualquier componente garantizado que debe sustituirse como un elemento de mantenimiento requerido en las instrucciones escritas requeridas por la lista de piezas bajo la garantía de control de emisiones (vea más abajo) debe garantizarse por el intervalo antes del primer punto de sustitución programado para este componente. Si el componente falla antes del primer punto de sustitución programado, el fabricante del motor debe reparar o sustituir el mismo de acuerdo con la subsección (4) más abajo. Un componente de este tipo reparado o sustituido bajo la

garantía debe garantizarse durante el resto del periodo de garantía antes del primer punto de sustitución programado para el componente.

4. La reparación o sustitución de cualquier componente garantizado debe llevarse a cabo en una estación de reparaciones bajo garantía sin costo alguno para el propietario.
5. No obstante lo expuesto en la subsección (4) de arriba, los servicios o las reparaciones bajo garantía pueden obtenerse en todos los centros de distribución del fabricante autorizados para dar servicio a los motores en cuestión.
6. Al propietario no se le debe cobrar el trabajo del diagnóstico que establece que el componente garantizado es de hecho defectuoso, a condición de que tal trabajo de diagnóstico se realice en una estación de reparaciones bajo garantía.

Trabajo bajo garantía

STIHL Incorporated reparará los defectos amparados por la garantía en cualquier estación de garantía o centro de servicio autorizado por STIHL. Todo trabajo de este tipo se hará gratis para el propietario siempre que se determine que la pieza cubierta por la garantía está defectuosa. Se puede usar cualquier pieza de repuesto aprobada por el fabricante o equivalente para el mantenimiento o la reparación de los componentes relacionados con el sistema de control de emisiones, y la misma debe ser suministrada gratis al

propietario. STIHL Incorporated es responsable por daños a otros componentes del motor causados por la falla de una pieza garantizada que todavía está bajo garantía.

Lista de piezas bajo la garantía de emisiones

Filtro de aire, carburador (si corresponde), bomba de combustible, estrangulador (sistema de enriquecimiento para arranque en frío) (si corresponde), varillajes de control, múltiple de admisión, sistema de encendido por magneto o electrónico (Módulo de encendido o unidad de control electrónica), volante, bujía, válvula de inyección (si corresponde), bomba de inyección (si corresponde), carcasa del acelerador (si corresponde), cilindro, silenciador, convertidor catalítico (si corresponde), tanque de combustible, tapa de combustible, tubería de combustible, adaptadores de tubería de combustible, abrazaderas, fijaciones.

Dónde presentar el reclamo para servicio bajo garantía

Lleve el producto de STIHL a cualquier concesionario de servicio autorizado por STIHL y presente la tarjeta de registro de producto STIHL firmado o la copia impresa del registro electrónico del producto.

Limitaciones

La reparación o la sustitución de cualquier componente garantizado y normalmente abarcado por la garantía se puede excluir de la garantía si STIHL Incorporated demuestra el maltrato, negligencia o mantenimiento incorrecto

del producto de STIHL, y que tal maltrato, negligencia, o mantenimiento incorrecto era la causa directa de la necesidad de reparación o sustitución del componente. A pesar de lo anterior, el ajuste de un componente que tiene un dispositivo limitador instalado en fábrica y funcionando correctamente no perjudicará la cobertura bajo garantía.

Marcas comerciales

Marcas registradas de STIHL

STIHL®

STIHL®



La combinación de colores anaranjado-gris (Números de registro EE.UU. 2,821,860; 3,010,057, 3,010,058, 3,400,477; y 3,400,476)



AUTOCUT®

EASYSTART®

FARM BOSS®

iCademy®

MAGNUM®

MasterWrench Service®

MotoMix®

OILOMATIC®

ROCK BOSS®

STIHL Cutquik®

STIHL DUROMATIC®

STIHL Quickstop®

STIHL ROLLOMATIC®

STIHL WOOD BOSS®

TIMBERSPORTS®

WOOD BOSS®

YARD BOSS®

Algunos de las marcas comerciales de STIHL por ley común



4-MIX™

BioPlus™

Easy2Start™

EasySpool™

ElastoStart™

Ematic™

FixCut™

HT Plus™

IntelliCarb™

Master Control Lever™

Micro™

Pro Mark™

Quad Power™

Quiet Line™

STIHL Arctic™

STIHL Compact™

STIHL HomeScaper Series™

STIHL Interchangeable Attachment Series™

STIHL M-Tronic™

STIHL MiniBoss™

STIHL MotoPlus 4™

STIHL Multi-Cut HomeScaper Series™

Stihl Outfitters™

STIHL PICCO™

STIHL PolyCut™

STIHL PowerSweep™

STIHL Precision Series™

STIHL Protech™

STIHL RAPID™

STIHL SuperCut™

STIHL Territory™

TapAction™

TrimCut™

Esta lista de marcas comerciales está sujeta a cambios.

Queda terminantemente prohibido todo uso de estas marcas comerciales sin el consentimiento expreso por escrito de ANDREAS STIHL AG & Co. KG, Waiblingen.

 **WARNING**

The engine exhaust from this product contains chemicals known to the State of California to cause cancer, birth defects or other reproductive harm.

 **ADVERTENCIA**

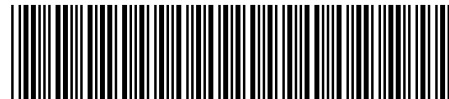
El gas de escape del motor de esta máquina contiene productos químicos que en el estado de California son considerados como causantes de cáncer, defectos de nacimiento u otros efectos nocivos para los órganos de la reproducción.

0458-295-8621-A

englisch / spanisch USA



www.stihl.com



0458-295-8621-A