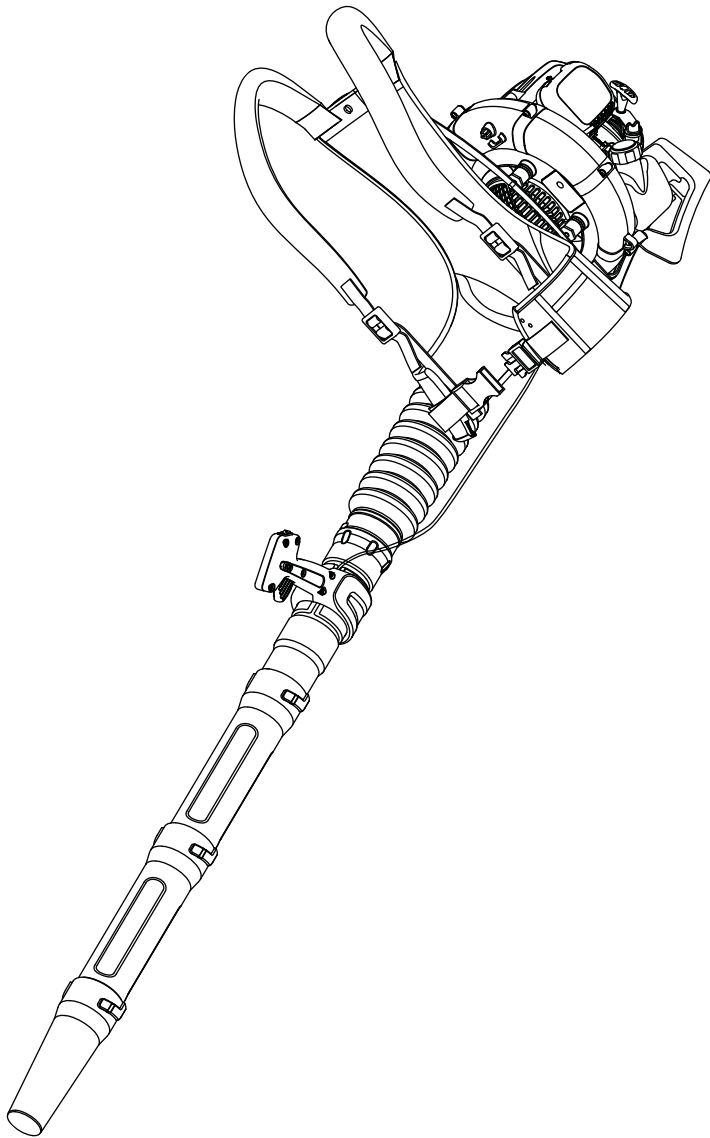




# Operator's Manual



## 4-Cycle Backpack Blower TB4BP

### SAVE THESE INSTRUCTIONS

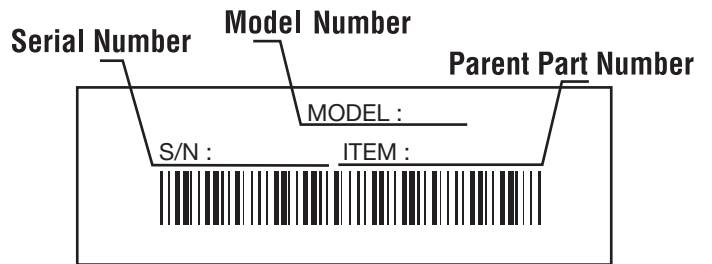
For service call **1-800-828-5500**, or **1-800-668-1238** in Canada to obtain a list of authorized service dealers near you. For more details about your unit, visit our website at [www.troybilt.com](http://www.troybilt.com).

**DO NOT RETURN THE UNIT TO THE RETAILER. PROOF OF PURCHASE WILL BE REQUIRED FOR WARRANTY SERVICE.**

THIS PRODUCT IS COVERED BY ONE OR MORE U.S. PATENTS. OTHER PATENTS PENDING.

Service on this unit both within and after the warranty period should be performed only by an authorized and approved service dealer.

Before beginning, locate the unit's model plate. It lists the model and serial numbers of your unit. Refer to the sample plate below and copy the information for future reference.



Copy the model and parent part number here:

Copy the serial number here:

#### TABLE OF CONTENTS

Service Information .....	.1
Rules for Safe Operation .....	.2
Know Your Unit .....	.5
Assembly Instructions .....	.6
Oil and Fuel .....	.8
Starting/Stopping Instructions .....	.9
Operating Instructions .....	.10
Maintenance and Repair Instructions .....	.11
Cleaning and Storage .....	.13
Troubleshooting .....	.14
Specifications .....	.15
Warranty Information .....	.18
Parts List .....	E18

All information, illustrations, and specifications in this manual are based on the latest product information available at the time of printing. We reserve the right to make changes at any time without notice.

Copyright© 2007 MTD SOUTHWEST INC, All Rights Reserved.

## RULES FOR SAFE OPERATION

### SPARK ARRESTOR NOTE

**NOTE: For users on U.S. Forest Land and in the states of California, Maine, Oregon and Washington.** All U.S. Forest Land and the state of California (Public Resources Codes 4442 and 4443), Oregon and Washington require, by law that certain internal combustion engines operated on forest brush and/or grass-covered areas be equipped with a spark arrestor, maintained in effective working order, or the engine be constructed, equipped and maintained for the prevention of fire. Check with your state or local authorities for regulations pertaining to these requirements. Failure to follow these requirements could subject you to liability or a fine. **This unit is factory equipped with a spark arrestor.** If it requires replacement, ask your LOCAL SERVICE DEALER to install the **Accessory Part #753-05297 Spark Arrestor Kit.**

### CALIFORNIA PROPOSITION 65 WARNING

	<b>WARNING</b>	
<b>THE ENGINE EXHAUST FROM THIS PRODUCT CONTAINS CHEMICALS KNOWN TO THE STATE OF CALIFORNIA TO CAUSE CANCER, BIRTH DEFECTS OR OTHER REPRODUCTIVE HARM.</b>		

The purpose of safety symbols is to attract your attention to possible dangers. The safety symbols, and their explanations, deserve your careful attention and understanding. The safety warnings do not by themselves eliminate any danger. The instructions or warnings they give are not substitutes for proper accident prevention measures.

SYMBOL	MEANING
--------	---------



**SAFETY ALERT:** Indicates danger, warning or caution. Attention is required in order to avoid serious personal injury. May be used in conjunction with other symbols or pictographs.



**DANGER:** Failure to obey a safety warning will result in serious injury to yourself or to others. Always follow the safety precautions to reduce the risk of fire, electric shock and personal injury.



**WARNING:** Failure to obey a safety warning can result in injury to yourself and others. Always follow the safety precautions to reduce the risk of fire, electric shock and personal injury.



**CAUTION:** Failure to obey a safety warning may result in property damage or personal injury to yourself or to others. Always follow the safety precautions to reduce the risk of fire, electric shock and personal injury.


**NOTE:** Advises you of information or instructions vital to the operation or maintenance of the equipment.

**Read the Operator's Manual and follow all warnings and safety instructions. Failure to do so can result in serious injury to the operator and/or bystanders.**


**FOR QUESTIONS, CALL 1-800-828-5500 IN U.S. OR 1-800-668-1238 in CANADA**

### • IMPORTANT SAFETY INSTRUCTIONS •

#### READ ALL INSTRUCTIONS BEFORE OPERATING

- |  |   |
|--|---|
|  | <b>WARNING:</b> When using the unit, you must follow the safety rules. Please read these instructions before operating the unit in order to ensure the safety of the operator and any bystanders. Please keep these instructions for later use. |
|--|---|
- Read the instructions carefully. Be familiar with the controls and proper use of the unit.
  - Read this operating instruction manual carefully. Be thoroughly familiar with the controls and the proper use of the equipment. Know how to stop the unit and disengage the controls quickly.
  - Do not operate this unit when tired, ill, or under the influence of alcohol, drugs, or medication.
  - Never allow children to operate the equipment. Never allow adults unfamiliar with the instructions to use the unit. Never allow adults to operate the equipment without proper instruction.
  - All guards and safety attachments must be installed properly before operating the unit.

#### SPECIAL SAFETY WARNINGS FOR GAS ENGINES

- |  |  |
|--|--|
|  | <b>WARNING:</b> Gasoline is highly flammable, and its vapors can explode if ignited. Take the following precautions: |
|--|--|
- Store fuel only in containers specifically designed and approved for the storage of such materials.
  - Always stop the engine and allow it to cool before filling the fuel tank. Never remove the cap of the fuel tank, or add fuel, when the engine is hot. Never operate the unit without the fuel cap securely in place. Loosen the fuel tank cap slowly to relieve any pressure in the tank.

- Add fuel in a clean, well-ventilated area outdoors where there are no sparks or flames. Slowly remove the fuel cap only after stopping engine. Do not smoke while fueling. Wipe up any spilled fuel from the unit immediately.
- Avoid creating a source of ignition for spilled fuel. Do not start the engine until fuel vapors dissipate.
- Move the unit at least 30 feet (9.1 m) from the fueling source and site before starting the engine. Do not smoke. Keep sparks and open flames away from the area while adding fuel or operating the unit.

#### WHILE OPERATING

- Never start or run the unit inside a closed room or building. Breathing exhaust fumes can kill. Operate this unit only in a well-ventilated outdoor area.
- Wear safety glasses or goggles that are marked as meeting ANSI Z87.1 standards and are marked as such. Wear ear/hearing protection when operating this unit.
- Never run the unit without the the proper equipment attached.
- To reduce the risk of hearing loss associated with sound level(s), always wear ear/hearing protection when operating this unit.
- Wear heavy long pants, boots, gloves, and a long sleeve shirt. Do not wear loose clothing, jewelry, short pants, sandals or go barefoot. Secure hair above shoulder level.
- To avoid static electricity shock, do not wear rubber gloves or any other insulated gloves while operating this unit.
- Use the unit only in daylight or good artificial light.
- Keep outside surfaces free from oil and fuel.
- Avoid accidental starting. Be in the starting position whenever pulling the starter rope. The operator and unit must be in a stable position while starting. Refer to *Starting/Stopping Instructions*.

## RULES FOR SAFE OPERATION

- Do not set unit on any surface except a clean, hard area while engine is running. Debris such as gravel, sand, dust, grass, etc. could be picked up by the air intake and thrown out by the discharge opening, damaging unit, property, or causing serious injury to bystanders or operator.
- Use the right tool. Only use this tool for its intended purpose.
- Do not force unit. It will do the job better and with less likelihood of injury at a rate for which it was designed.
- Do not overreach or use from unstable surfaces such as ladders, trees, steep slopes, rooftops, etc. Always keep proper footing and balance.
- Always hold the unit with a firm grip when operating.
- Keep hands, face, and feet away from all moving parts. Do not touch or try to stop the impeller when it is rotating. Do not operate without guards in place.
- Do not put any object into openings. Do not use with any opening blocked; keep free of dirt, debris, and anything that may reduce the air flow.
- Do not touch the engine or muffler. These parts get extremely hot from operation, even after the unit is turned off.
- Do not operate the engine faster than the speed needed to do the job. Do not run the engine at high speed when not in use.
- Always stop the engine when operation is delayed or when walking from one location to another.
- Stop the engine for maintenance, repair, to install or remove the blower tubes. The unit must be stopped and the impeller no longer turning to avoid contact with the rotating blades.
- If you strike or come into contact with a foreign object, stop the engine immediately and check for damage. Do not operate before repairing damage. Do not operate the unit with loose or damaged parts.
- Use only replacement parts recommended for this tool that are sold by a Troy-Bilt outlet. Use of any replacement parts purchased elsewhere may be hazardous, and will also void your warranty.
- Never use this unit for spreading chemicals, fertilizers or other substances which may contain toxic materials.
- To reduce fire hazard, replace faulty muffler and spark arrestor. Keep the engine and muffler free from grass, leaves, excessive grease or carbon build up.
- Turn the engine off and disconnect the spark plug for

maintenance or repair.

- Never point the blower or blowing debris in the direction of people, animals, or in the direction of windows. Always direct the blowing debris away from people, animals, and windows. Use extra caution when blowing debris near solid objects such as trees, automobiles, walls, etc.

### OTHER SAFETY WARNINGS

- Always disconnect the spark plug before performing maintenance or accessing movable parts. See *Replacing the Spark Plug*.
- Never store the unit, with fuel in the tank, inside a building where fumes may reach an open flame (pilot lights, etc.) or sparks (switches, electrical motors, etc.).
- Allow the engine to cool before storing or transporting. Be sure to secure the unit while transporting.
- Store the unit in a dry place, secured, or at a height to prevent unauthorized use or damage. Keep out of the reach of children.
- Never douse or squirt the unit with water or any other liquid. Keep handles dry, clean, and free from debris. Clean after each use, see *Cleaning and Storage* instructions.
- Keep these instructions. Refer to them often and use them to instruct other users. If you loan this unit to others, also loan these instructions to them.










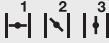

**SPECIAL NOTE:** Exposure to vibrations through prolonged use of gasoline powered hand tools could cause blood vessel or nerve damage in the fingers, hands, and joints of people prone to circulation disorders or abnormal swelling. Prolonged use in cold weather has been linked to blood vessel damage in otherwise healthy people. If symptoms occur such as numbness, pain, loss of strength, change in skin color or texture, or loss of feeling in the fingers, hands or joints, discontinue use of this tool and seek medical attention. A reduced vibration system does not guarantee avoidance of these problems. Users who operate power tools on a regular basis must closely monitor their physical condition and the condition of this tool.

## SAVE THESE INSTRUCTIONS

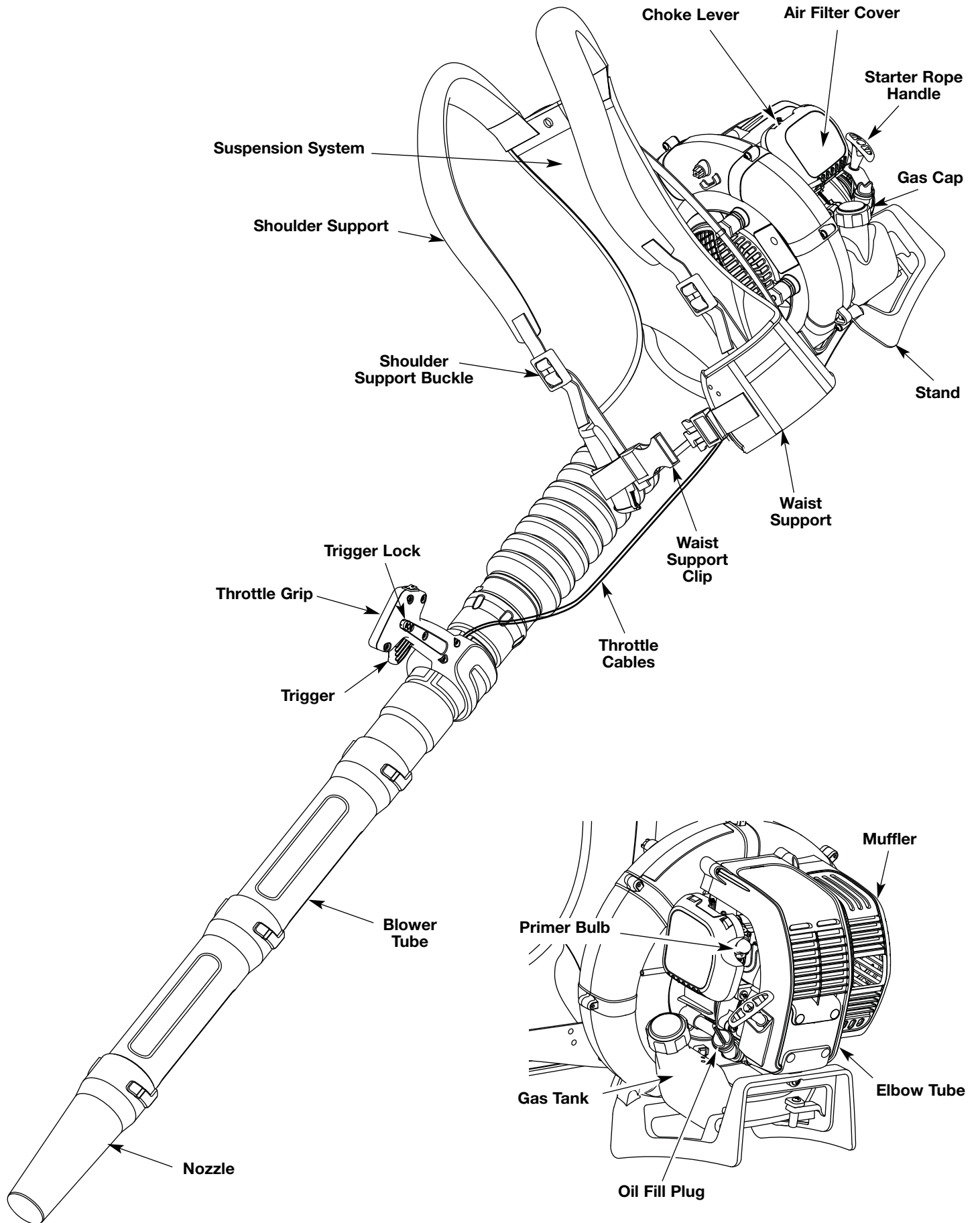
## RULES FOR SAFE OPERATION

### SAFETY AND INTERNATIONAL SYMBOLS

This operator's manual describes safety and international symbols and pictographs that may appear on this product. Read the operator's manual for complete safety, assembly, operating, maintenance, and repair information.

SYMBOL	MEANING	SYMBOL	MEANING
	<ul style="list-style-type: none"> <li>• <b>SAFETY ALERT SYMBOL</b></li> </ul> <p>Indicates danger, warning or caution. May be used in conjunction with other symbols or pictographs.</p>		<ul style="list-style-type: none"> <li>• <b>ON/OFF STOP CONTROL</b></li> </ul> <p>ON / START / RUN</p>
	<ul style="list-style-type: none"> <li>• <b>WARNING: READ OPERATOR'S MANUAL</b></li> </ul> <p>Read the operator's manual(s) and follow all warnings and safety instructions. Failure to do so can result in serious injury to the operator and/or bystanders.</p>		<ul style="list-style-type: none"> <li>• <b>ON/OFF STOP CONTROL</b></li> </ul> <p>OFF or STOP</p>
	<ul style="list-style-type: none"> <li>• <b>WEAR EYE AND HEARING PROTECTION</b></li> </ul> <p><b>WARNING:</b> Thrown objects and loud noise can cause severe eye injury and hearing loss. Wear eye protection meeting ANSI Z87.1 standards and ear protection when operating this unit. Use a full face shield when needed.</p>		<ul style="list-style-type: none"> <li>• <b>KEEP BYSTANDERS AWAY</b></li> </ul> <p><b>WARNING:</b> Thrown objects and loud noise can cause severe eye injury and hearing loss. Wear eye protection meeting ANSI Z87.1 standards and ear protection when operating this unit. Use a full face shield when needed.</p>
	<ul style="list-style-type: none"> <li>• <b>UNLEADED FUEL</b></li> </ul> <p>Always use clean, fresh unleaded fuel.</p>		<ul style="list-style-type: none"> <li>• <b>THROWN OBJECTS CAN CAUSE SEVERE INJURY</b></li> </ul> <p><b>WARNING:</b> Thrown objects and loud noise can cause severe eye injury and hearing loss. Wear eye protection meeting ANSI Z87.1 standards and ear protection when operating this unit. Use a full face shield when needed.</p>
	<ul style="list-style-type: none"> <li>• <b>OIL</b></li> </ul> <p>Refer to operator's manual for the proper type of oil.</p>		<ul style="list-style-type: none"> <li>• <b>CHOKE CONTROL</b></li> </ul> <ol style="list-style-type: none"> <li>• <b>FULL</b> choke position</li> <li>• <b>PARTIAL</b> choke position</li> <li>• <b>RUN</b> choke position</li> </ol>
			<ul style="list-style-type: none"> <li>• <b>HOT SURFACE WARNING</b></li> </ul> <p>Do not touch a hot surface. You may get burned. These parts get extremely hot from operation. They remain hot for a short time after the unit is turned off.</p>

# KNOW YOUR UNIT



# ASSEMBLY INSTRUCTIONS

## ASSEMBLING THE BLOWER TUBE



**WARNING:** To avoid serious personal injury and damage to the unit, shut the unit off before removing or installing the blower tube.

### Installing the Flex Tube

1. Place a hose clamp over the end of the **Flex Tube** (Fig. 1A).
2. Slide the end of the **Flex Tube** with the clamp on it over the elbow tube (Fig. 1B).
3. Align the bump on the **Flex Tube** with the bump on the elbow tube (Fig. 1C).
4. Tighten the screw on the hose clamp to secure the **Flex Tube** to the elbow tube (Fig. 1D).

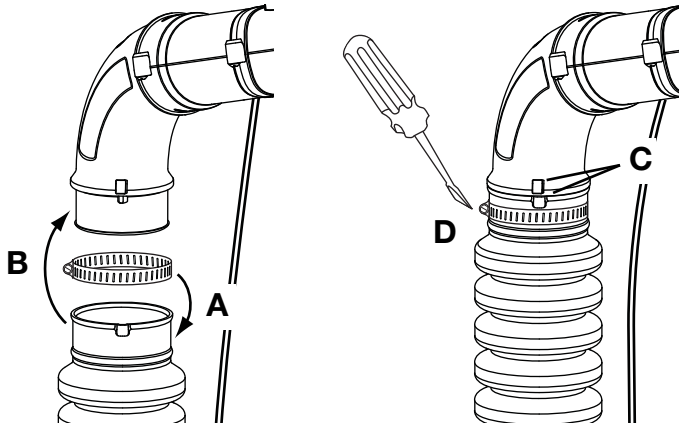


Fig. 1

### Installing the Upper Blower Tube

1. Place a hose clamp over the other end of the Flex Tube (Fig. 2, A).
2. Slide the end of the hose with the clamp on it over the top end of the upper blower tube (Fig. 2, B).
3. Align the bump on the Flex Tube with the bump on the upper blower tube (Fig. 2, C).
4. Tighten the screw on the hose clamp to secure the Flex Tube to the upper blower tube (Fig. 2, D).

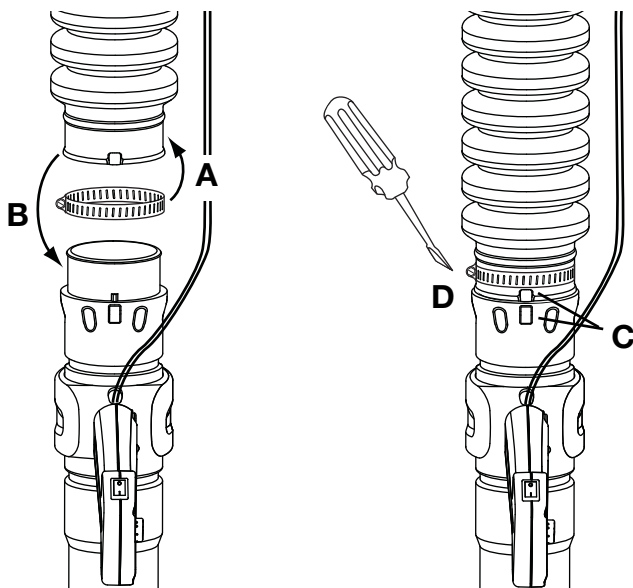


Fig. 2

## Installing the Lower Blower Tubes and Nozzle

1. Align the bump slot on the end of the first lower blower tube with the bump on the bottom end of the upper blower tube (Fig. 3, A).
2. Insert the bump on the upper blower tube into the bump slot on the tube extension (Fig. 3, A).
3. Twist the extension tube clockwise around the upper blower tube until the handle tube bump locks into place (Fig. 3, B).

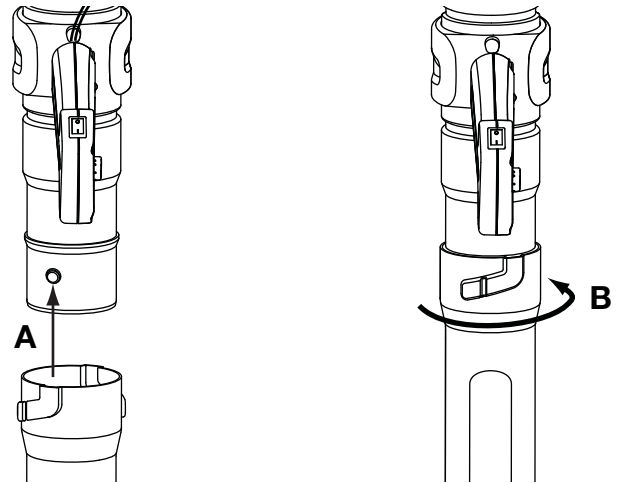


Fig. 3

4. Align the bump slot on the end of the second lower blower tube with the bump on the bottom end of the first lower blower tube (Fig. 4, A).
5. Insert the bump on the first lower blower tube into the bump slot on the second lower blower tube (Fig. 4, A).
6. Twist the second lower blower tube clockwise around the first lower blower tube until the second lower blower tube bump locks into place (Fig. 4, B).

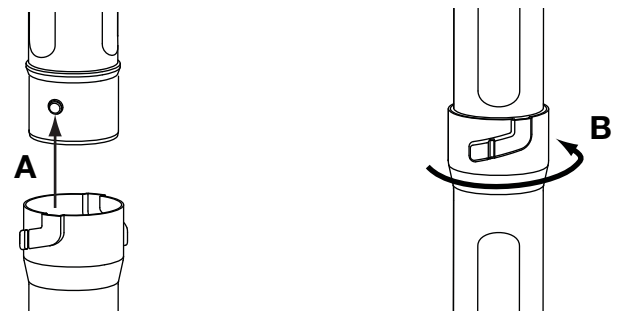


Fig. 4

7. Align the bump slot on the top end of the nozzle with the bump on the bottom end of the second lower blower tube (Fig. 5, A).
8. Insert the bump on the second lower blower tube into the bump slot on the nozzle (Fig. 5, A).
9. Twist the nozzle clockwise around the second lower blower tube until the nozzle bump locks into place (Fig. 5, B).

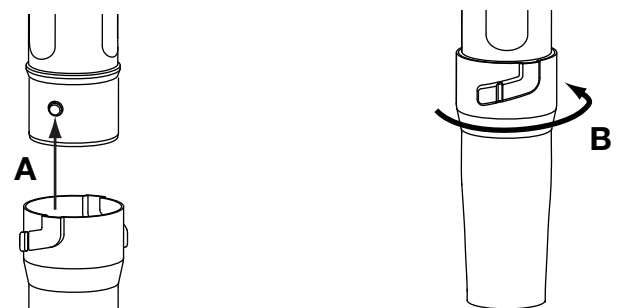


Fig. 5

# ASSEMBLY INSTRUCTIONS

The completed blower tube should look like Figure 6.

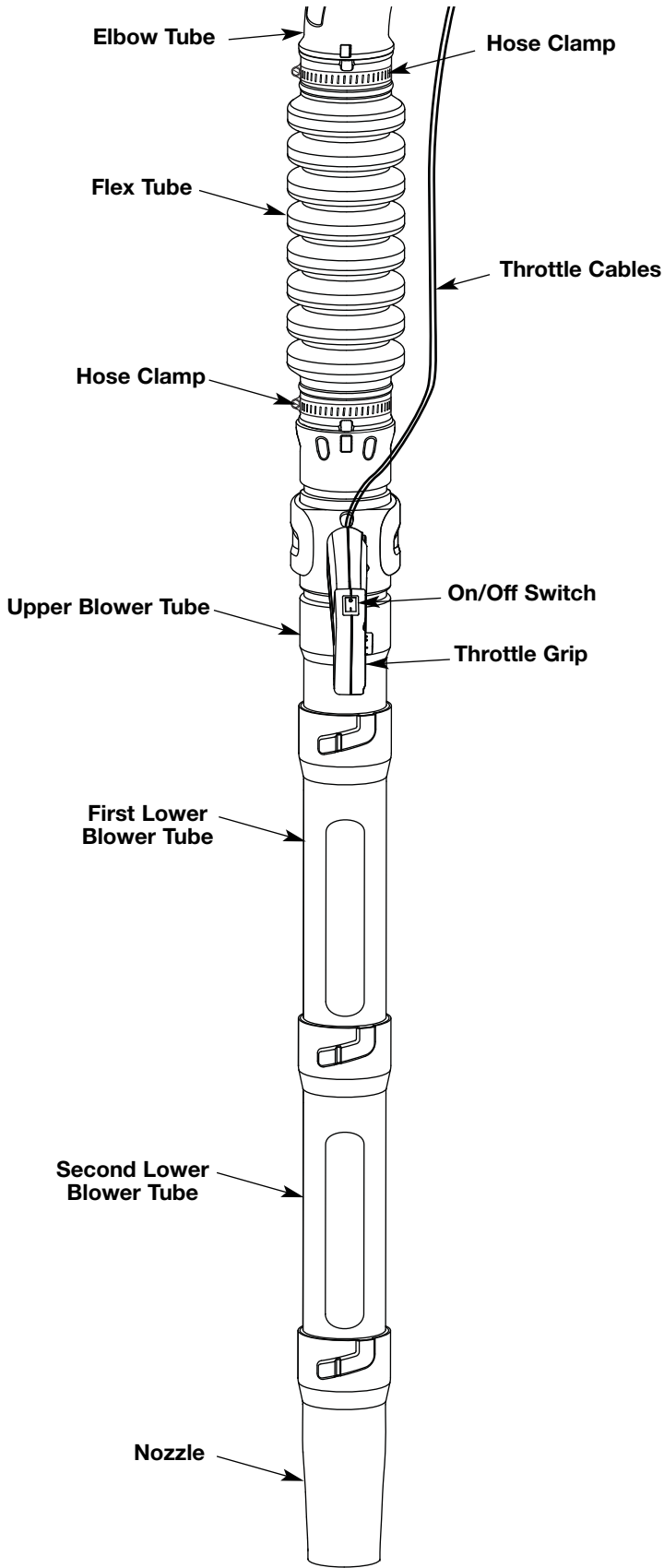



Fig. 6

## Adjusting the Handle

1. Rotate the throttle grip counterclockwise around the blower tube until it is pointing directly downward (Fig. 7, A).

 **WARNING:** Do not rotate the handle clockwise to adjust. This may cause the throttle cables to disconnect from the throttle grip or the engine.

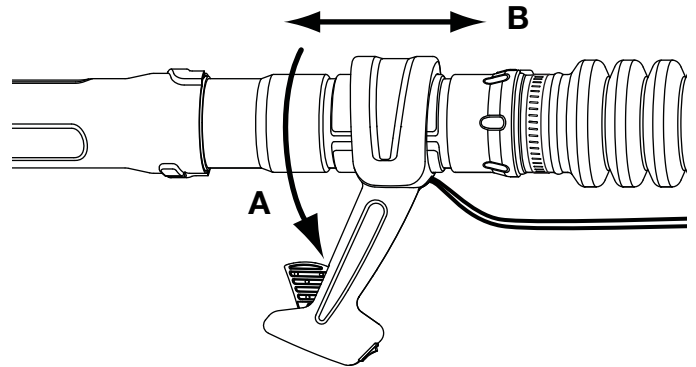


Fig. 7

2. Pull or push the throttle grip along the handle tube until its distance from the backpack blower is comfortable (Fig. 7, B).
3. Align the throttle grip with the slot closest to the comfortable place and rotate the throttle grip clockwise into the upright position (Fig. 8).

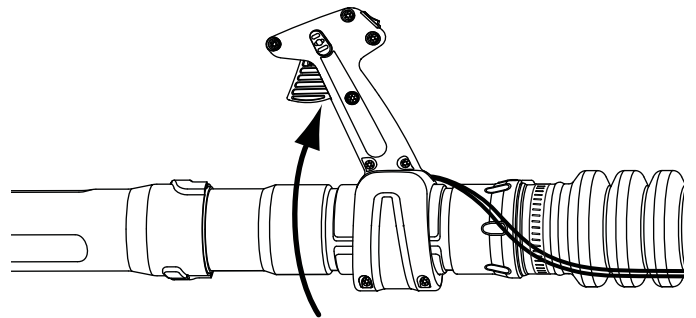


Fig. 8



**WARNING:** To avoid serious personal injury, make sure that the blower tubes are locked in place or firmly installed.

## OIL AND FUEL INFORMATION



**WARNING:** OVERFILLING OIL CRANKCASE MAY CAUSE SERIOUS PERSONAL INJURY. Check and maintain the proper oil level in the crank case; it is important and cannot be overemphasized. Check the oil before each use while the engine is cold and change it as needed. See *Changing the Oil*.

### RECOMMENDED OIL TYPE

Using the proper type and weight of oil in the crankcase is extremely important. Check oil before each use while the engine is cold and change the oil every 25 hours of operation. Failure to use the correct oil, or using dirty oil, can cause premature engine wear and failure. Use a high-quality SAE 30 weight oil of API (American Petroleum Institute) service class SF, SG, SH.

### ADDING OIL TO CRANKCASE: INITIAL USE

**NOTE:** This unit is shipped without oil. In order to avoid damage to the unit, put oil in the crankcase before you attempt to start the unit.

Your unit is supplied with one 3.04 fluid oz. (90 ml.) bottle of SAE 30 SF, SG, SH oil (Fig. 9).

**NOTE:** Save the bottle of oil. It can be used to measure the correct amount during future oil changes (Fig. 9). See *Changing the Oil*.

1. Unscrew the top of the bottle of oil and remove the paper seal covering the opening. Replace the top. Next, cut the tip off the funnel spout (Fig. 9).
2. Remove the oil fill plug from the crankcase (Fig. 10).
3. Tilt the unit backwards 30° (Fig. 11).
4. Pour the entire bottle of oil into the oil fill hole (Fig. 11).

**NOTE:** Never add oil to the fuel or fuel tank.

5. Wipe up any oil that may have spilled and reinstall the oil fill plug.

Check oil before each use while the engine is cold and change the oil every 25 hours of operation. Refer to *Checking the Oil Level*.

### CHECKING THE OIL LEVEL

Check the oil only when the engine is off and cool.

1. Place the unit on its stand on a level surface.
2. Remove the oil fill plug from the crankcase (Fig. 10).
3. Look into the oil fill hole (Fig. 10). If the oil level comes up to the first thread, then the oil is full (Fig. 12). If it does not, fill with oil until it does.

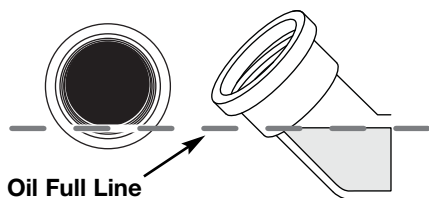


Fig. 12

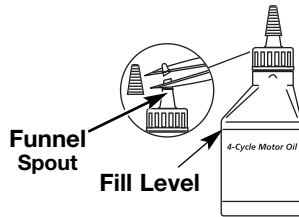


Fig. 9

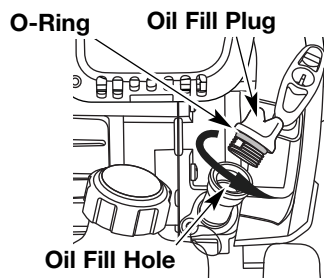


Fig. 10

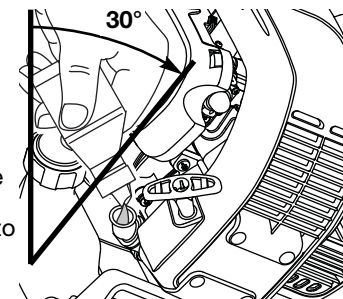


Fig. 11

### RECOMMENDED FUEL TYPE

Old fuel is the primary reason for improper unit performance. Be sure to use fresh, clean, unleaded gasoline.

**NOTE:** This is a four cycle engine. In order to avoid damage to the unit, **do not mix oil with gasoline.**

### Definition of Blended Fuels

Today's fuels are often a blend of gasoline and oxygenates such as ethanol, methanol or MTBE (ether). Alcohol-blended fuel absorbs water. As little as 1% water in the fuel can make fuel and oil separate or form acids when stored. Use fresh fuel (less than 60 days old), when using alcohol-blended fuel.

### Using Blended Fuels

If you choose to use a blended fuel, or its use is unavoidable, follow recommended precautions:

- Always use fresh unleaded gasoline
- Use the fuel additive STA-BIL® or an equivalent
- Drain tank and run the engine dry before storing unit

### Using Fuel Additives



**WARNING:** Add fuel in a clean, well ventilated outdoor area. Wipe up any spilled fuel immediately. Avoid creating a source of ignition for spilt fuel. Do not start the engine until fuel vapors dissipate.



**WARNING:** Gasoline is extremely flammable. Ignited vapors may explode. Always stop the engine and allow it to cool before filling the fuel tank. Do not smoke while filling the tank. Keep sparks and open flames at a distance from the area.

The use of fuel additives, such as STA-BIL® Gas Stabilizer or an equivalent, will inhibit corrosion and minimize the formation of gum deposits. Using a fuel additive can keep fuel from forming harmful deposits in the carburetor for up to six (6) months. Add 0.8 oz. (23 ml.) of fuel additive per gallon of fuel according to the instructions on the container. NEVER add fuel additives directly to the unit's gas tank.

### FUELING THE UNIT



**WARNING:** Remove fuel cap slowly to avoid injury from fuel spray. Never operate the unit without the fuel cap securely in place.

1. Remove the fuel cap.
2. Place the gas container's spout into the fill hole on the fuel tank (Fig. 13) and fill the tank.

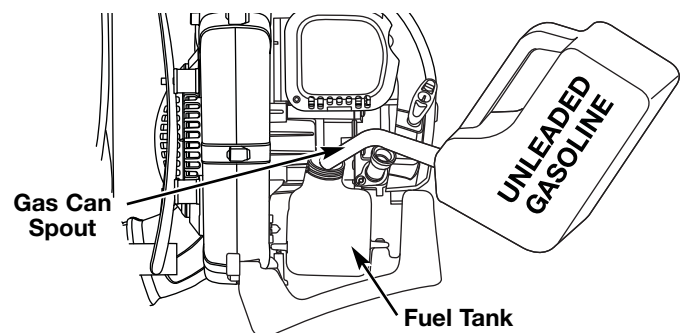


Fig. 13

**NOTE:** Do not overfill the tank.

3. Wipe up any gasoline that may have spilled.
4. Reinstall the fuel cap.
5. Move the unit at least 30 ft. (9.1 m) from the fueling source and site before starting the engine.

**NOTE:** Dispose of the old gasoline in accordance to Federal, State and Local regulations.



## STARTING/STOPPING INSTRUCTIONS



**WARNING:** Operate this unit only in a well-ventilated outdoor area. Carbon monoxide exhaust fumes can be lethal in a confined area.



**WARNING:** Avoid accidental starting. Make sure you are in the starting position when pulling the starter rope (Fig. 16). To avoid serious injury, the operator and unit must be in a stable position while starting. To avoid serious personal injury, make sure that the blower tube is locked in place or firmly installed.

### STARTING INSTRUCTIONS

1. Check the oil level in the crankcase. Refer to *Checking the Oil Level*.
2. Fill the fuel tank with fresh, clean unleaded gasoline. Refer to *Fueling the Unit*.
3. Fully press and release the primer bulb 10 times, slowly. Some amount of **fuel should be visible in the primer bulb and fuel lines** (Fig. 14). If you can't see fuel in the bulb, press and release the bulb as many times as it takes before you can see fuel in it.
4. Place the choke lever in **Position 1** (Fig. 14).

**NOTE:** The unit should be started in idle. Do not squeeze the trigger while starting (Fig. 15).

5. Crouch in the starting position and pull the starter rope out about 4 inches, then pull 4 times in smooth and rapid pulls to start engine (Fig. 16).

**IF...** the engine does not start, place the choke lever in **Position 2** (Fig. 14) and pull 4 times in smooth and rapid pulls to start engine.

6. Place the choke lever in **Position 2** (Fig. 14) and allow the engine to warm up for 5–10 seconds.
7. Place the choke lever in **Position 3** (Fig. 14). The unit is ready for use.

**IF...** the engine does not start, follow steps 3 through 7 again.

**HOT RESTART:** If the unit is already hot, place the choke lever in **Position 3** and pull the starter rope to restart. **The unit should be started in idle. Do not squeeze the trigger while starting** (Fig. 15).

### STOPPING INSTRUCTIONS

1. Release your hand from the trigger. Allow the engine to cool down by idling.
2. Press the On/Off Stop Control switch in the OFF (O) position and hold until the engine comes to a complete stop (Fig. 15).

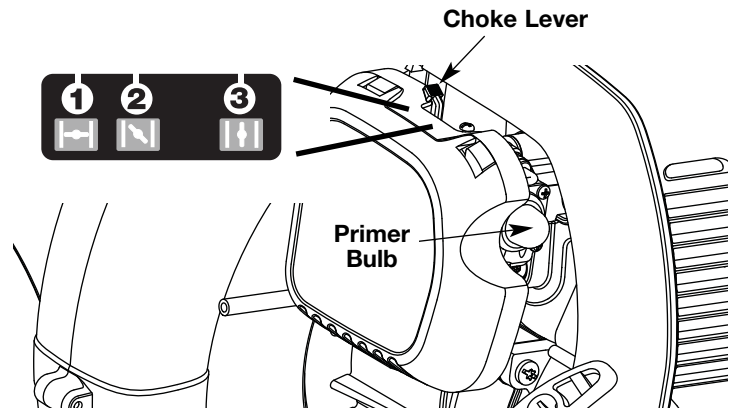


Fig. 14

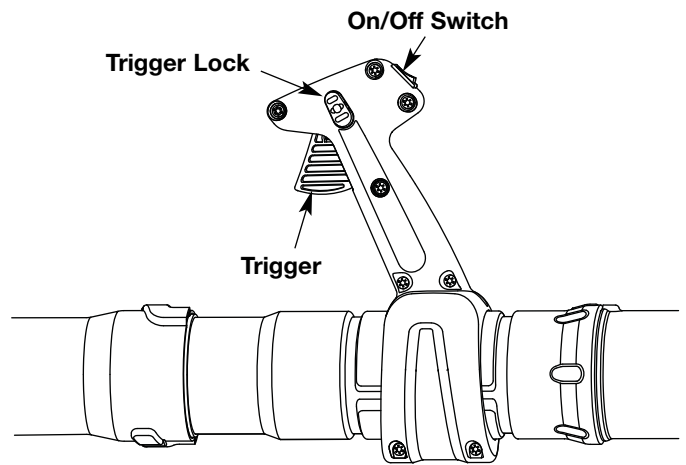


Fig. 15

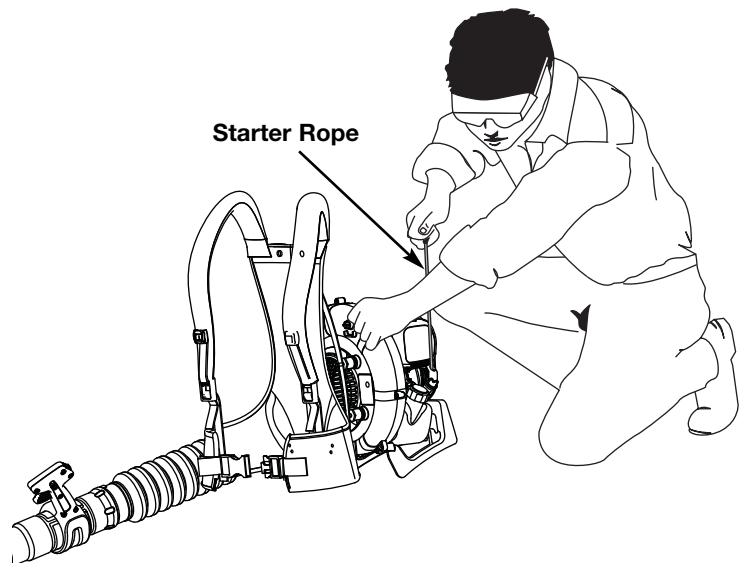


Fig. 16

# OPERATING INSTRUCTIONS

## ADJUSTING THE SUSPENSION SYSTEM

1. Place the unit's shoulder supports over the shoulders while the unit is behind you.
2. Close the suspension system's waist support by sliding the waist support clips together (Fig. 17, A).

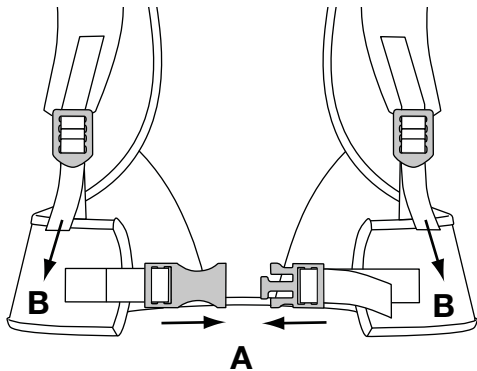


Fig. 17

**NOTE:** Make sure the weight of the unit is supported on the hips by the waist support (Fig. 18, A).

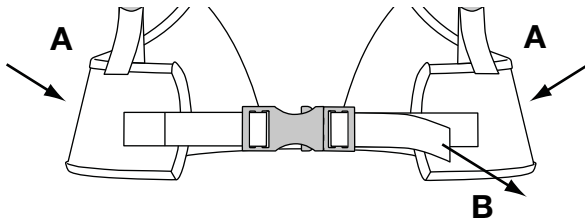


Fig. 18

3. If weight is not on hips, loosen the shoulder supports (Fig. 19, A) and pull the waist support handle (Fig. 18, B) to tighten. Adjust until the unit's weight rests on the hips.

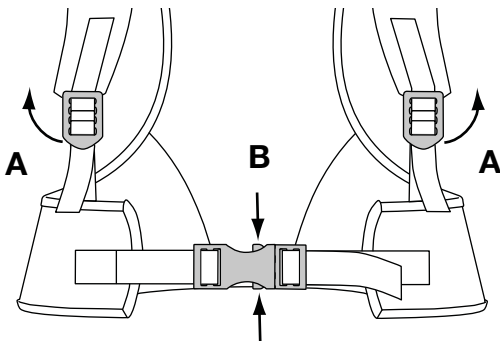


Fig. 19

4. Pull the shoulder support handles to tighten the shoulder supports (Fig. 17, B).

## Releasing the Suspension System

1. To release the shoulder supports, pull up on bottom tab of the shoulder support buckles (Fig. 19, A).
2. Squeeze the top and bottom of the waist support clips to release the waist support (Fig. 19, B).

## HOLDING THE BLOWER

	<b>WARNING:</b> To avoid serious personal injury, wear goggles or safety glasses at all times when operating this unit. Wear a face mask or dust mask in dusty locations.
--	---

Before operating the unit, stand in the operating position (Fig. 20). Check for the following:

- Operator is wearing proper clothing, such as boots, safety glasses or goggles, ear/hearing protection, gloves, long pants



Fig. 20

and long sleeve shirt.

- If the conditions are dusty, the operator is wearing a dust mask or face mask.
- The unit is in good working condition.
- The tubes are in place and secure.

## OPERATING TIPS



**WARNING:** To prevent serious personal injury or damage to the unit, make sure blower tubes are in place before you operate the unit.

- Assure the unit is not directed at anybody or any loose debris before starting the unit.
- Verify that the unit is in good working condition. Make sure the tubes are in place and secure.
- Always hold the unit securely when operating.
- To reduce the risk of hearing loss associated with sound level(s), hearing protection is required.
- Operate power equipment only at reasonable hours— not early in the morning or late at night when people might be disturbed. Comply with times listed in local ordinances. Usual recommendations are 9:00 am to 5:00 pm, Monday through Saturday.
- To reduce noise levels, limit the number of pieces of equipment used at any one time.
- To reduce noise levels, operate power blowers at the lowest possible speed to do the job.
- Check your equipment before operation, especially the muffler, air intakes and air filters.
- Use rakes and brooms to loosen debris before blowing.
- In dusty conditions, slightly dampen surfaces or use a mister attachment when water is available.
- Conserve water by using power blowers instead of hoses for many lawn and garden applications, including areas such as screens, patios, grills, porches, and gardens.
- Watch out for children, pets, open windows or freshly washed cars, and blow debris safely away.
- Use the full blower nozzle extension so the air stream can work close to the ground.
- Clean up after using blowers and other equipment. Dispose of debris appropriately.
- Use the trigger lock (Fig. 15) to keep the trigger depressed while operating to make continuous operation easier.

## APPLICATIONS

1. Use the blower for trees, shrubs, flower beds and hard-to-clean areas.
2. Use the unit around buildings and for other normal cleaning procedures.
3. Use the blower around walls, overhangs, fences and screens.

## MAINTENANCE AND REPAIR INSTRUCTIONS



**WARNING:** To prevent serious injury, never perform maintenance or repairs with unit running. Always service and repair a cool unit. Disconnect the spark plug wire to ensure that the unit cannot start. See *Replacing the Spark Plug*.

### MAINTENANCE SCHEDULE

Perform these required maintenance procedures at the frequency stated in the table. These procedures should also be a part of any seasonal tune-up.

**NOTE:** Some maintenance procedures may require special tools or skills. If you are unsure about these procedures take your unit to a Troy-Bilt or other qualified service dealer.

**NOTE:** Maintenance, replacement, or repair of the emission control devices and system may be performed by a Troy-Bilt or other qualified service dealer.

In order to assure peak performance of your engine, inspection of the engine exhaust port may be necessary after 50 hours of operation. If you notice lost RPM, poor performance or general lack of acceleration, this service may be required. If you feel your engine is in need of this inspection, refer service to a Troy-Bilt or other qualified service dealer for repair. **DO NOT** attempt to perform this process yourself as engine damage may result from contaminants involved in the cleaning process for the port.

FREQUENCY	MAINTENANCE REQUIRED	SEE
Before using	Fill fuel tank with fresh fuel Check oil while the engine is cold	p 8 p 8
Every 25 hrs	Change oil Clean and re-oil air filter Check rocker arm clearance and adjust Check spark plug condition and gap	p 11 p 11 p 12 p 13
Every 50 hrs	Clean spark arrestor	p 13

### CHANGING THE OIL

Change the oil every 25 hours of operation. Change the oil while the engine is still warm. The oil will flow freely and carry away more impurities.



**WARNING:** Wear gloves to prevent injury when handling unit.

1. Remove the oil fill plug.
2. Pour the oil out of the oil fill hole and into a container by tipping the unit to the side (Fig. 21). Allow ample time for complete drainage.
3. Wipe up any oil residue on the unit and clean up any oil that may have spilled. Dispose of the oil according to Federal, State and local regulations.
4. Tilt the unit backwards 30° (Fig. 22).
5. Refill the crankcase with 3.04 fluid ounce (90 ml) of SAE 30 SF, SG, SH oil.

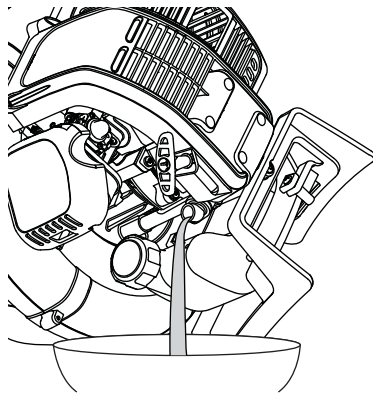


Fig. 21

- NOTE:** Use the bottle and spout saved from initial use to measure the correct amount of oil. The top of the label on the bottle measures approximately 3.04 ounces (90 ml) (Fig. 22). Check the level. See Checking the Oil Level. If the level is low, add a small amount of oil and recheck. Do not overfill (Fig. 22).
6. Replace the oil fill plug.



**WARNING:** To avoid serious personal injury, always turn the unit off and allow it to cool before you clean or service it.

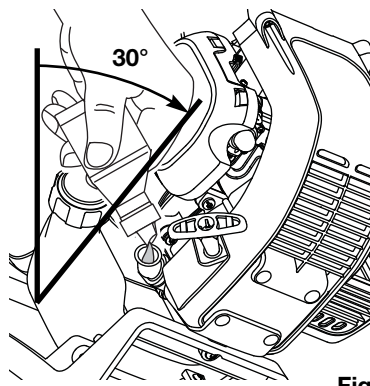
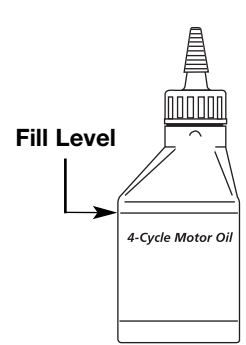


Fig. 22



### AIR FILTER MAINTENANCE

#### Cleaning the Air Filter

Clean and re-oil the air filter every 25 hours of operation. It is an important item to maintain. Failure to maintain your air filter properly can result in poor performance or can cause permanent damage to your engine.

1. Open the air filter cover. Push the locking tab on the under side of the cover inward. Then pull the air filter cover out and up. (Fig. 23).

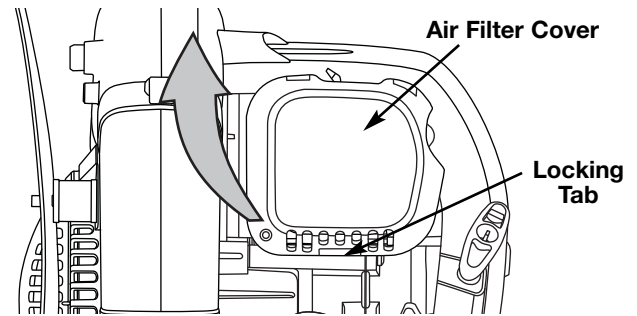


Fig. 23

2. Remove the air filter (Fig. 24).

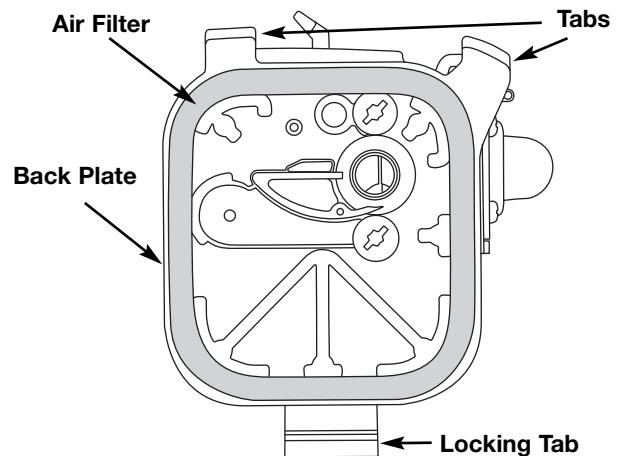


Fig. 24

3. Wash the filter in detergent and water (Fig. 25). Rinse the filter thoroughly and allow it to dry.
4. Apply enough clean SAE 30 motor oil to lightly coat the filter (Fig. 26).
5. Squeeze the filter to spread and remove excess oil (Fig. 27).
6. Replace the filter (Fig. 24).

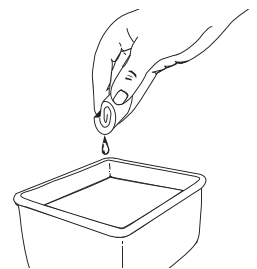


Fig. 25

**NOTE:** If the unit is operated without the air filter, you will VOID the warranty.

## MAINTENANCE AND REPAIR INSTRUCTIONS

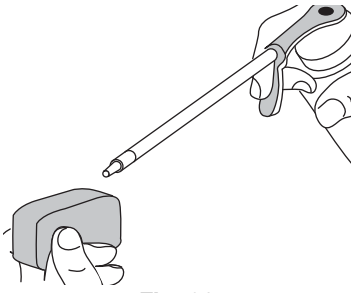


Fig. 26

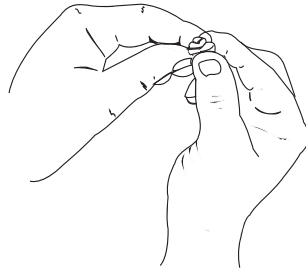


Fig. 27

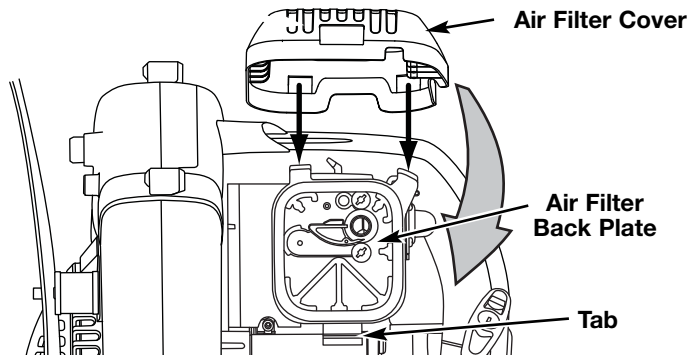


Fig. 28

- Reinstall the air filter cover. Position the slots on the top of the air filter cover onto the tabs at the top of the back plate (Figs. 24 & 28).
- Swing the cover down until the tab on the air filter backplate snaps into place in the slot on the air filter cover (Fig. 28).

### CARBURETOR ADJUSTMENT

The idle speed of the engine is adjustable. An idle adjustment screw is between the air filter cover and the engine starter housing (Fig. 29).

**NOTE:** Careless adjustments can seriously damage your unit. An authorized service dealer should make carburetor adjustments.

#### Check Fuel

Old fuel is usually the reason for improper unit performance. Drain and refill the tank with fresh fuel prior to making any adjustments. Refer to Oil and Fuel Information.

#### Clean Air Filter

The condition of the air filter is important to the operation of the unit. A dirty air filter will restrict air flow. This is often mistaken for an out of adjustment carburetor. Check the condition of the air filter before adjusting the idle speed screw. Refer to Air Filter Maintenance.

#### Adjust Idle Speed Screw

If, after checking the fuel and cleaning the air filter, the engine still will not idle, adjust the idle speed screw as follows:

- Start the engine and let it run at a high idle for a minute to warm up. Refer to Starting/Stopping Instructions.
- Release the throttle trigger and let the engine idle. If the engine stops, insert a small phillips in between the Air Filter Cover and the Engine Cover (Fig. 29). Turn the idle speed screw in, clockwise, 1/8 of a turn at a time (as needed) until the engine idles smoothly.

Checking the fuel, cleaning the air filter, and adjusting the idle speed should solve most engine problems. If not and all of the following are true:

- the engine will not idle
- the engine hesitates or stalls on acceleration
- there is a loss of engine power

Have the carburetor adjusted by an authorized service dealer.

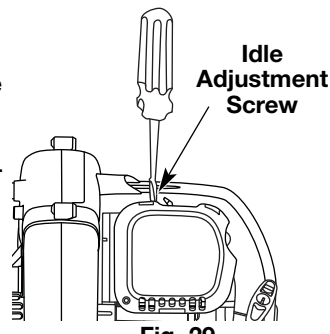


Fig. 29

### ROCKER ARM CLEARANCE

This requires disassembly of the engine. If you feel unsure or unqualified to perform this, take the unit to an authorized service center.

**NOTE:** Inspect the valve to rocker arm clearance with a feeler gauge after every 25 hours of operation.

- The engine must be cold when checking or adjusting the valve clearance.
  - This task should be performed inside, in a clean, dust free area.
- Remove the eight (8) screws on the back of the engine cover with a Flat-head or T-25 Torx screwdriver (Fig. 30).

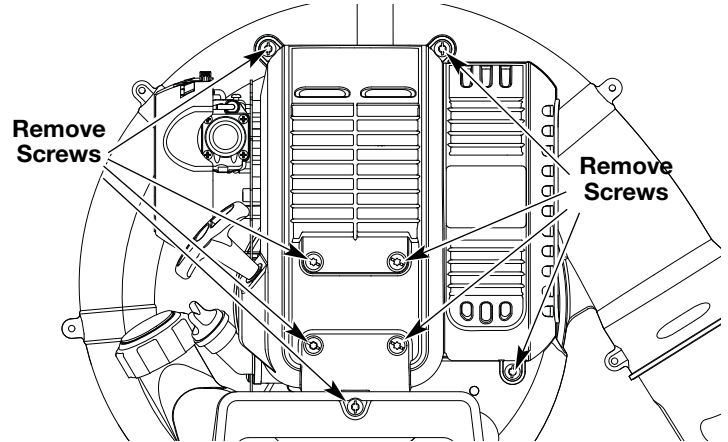


Fig. 30

- Disconnect the spark plug wire.
- Clean dirt from around the spark plug. Remove the spark plug from the cylinder head by turning a 5/8 in. socket counterclockwise.
- Remove the engine cover (Fig. 30).
- Clean dirt from around the rocker arm cover. Remove the screw holding the rocker arm cover with a large flat blade screwdriver or Torx T-25 bit (Fig. 31). Remove the rocker arm cover and gasket.
- Pull the starter rope slowly to bring the piston to the top of its travel, (known as top dead center). Check that:
  - The piston is at the top of its travel while looking in the spark plug hole (Fig. 32).
  - Both rocker arms move freely, and both valves are closed.

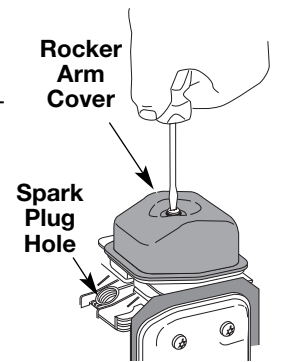


Fig. 31

If these statements are not true, repeat this step.

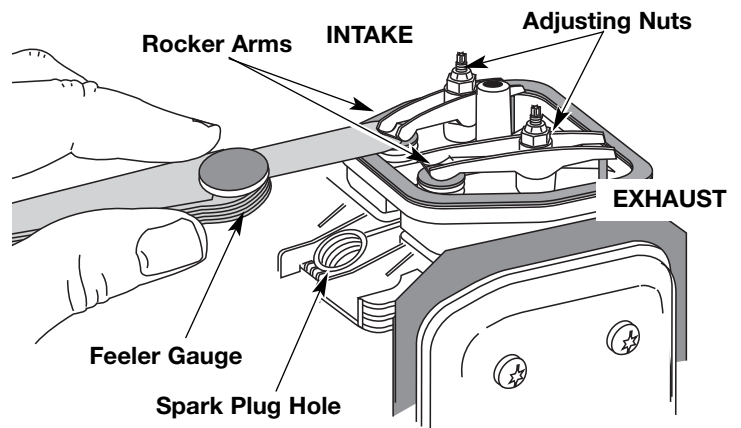


Fig. 32

## MAINTENANCE AND REPAIR INSTRUCTIONS

- Slide the feeler gauge between the rocker arm and the valve return spring. Measure the clearance between the valve stem and rocker arm (Fig. 32). Measure both the intake and exhaust valves.

The recommended clearance for both intake and exhaust is .003 – .006 in. (.076 – 0.152 mm). Use a standard automotive .005 in. (0.127 mm) feeler gauge. The feeler gauge should slide between the rocker arm and valve stem with a slight amount of resistance, without binding. See Figures 32 and 33.

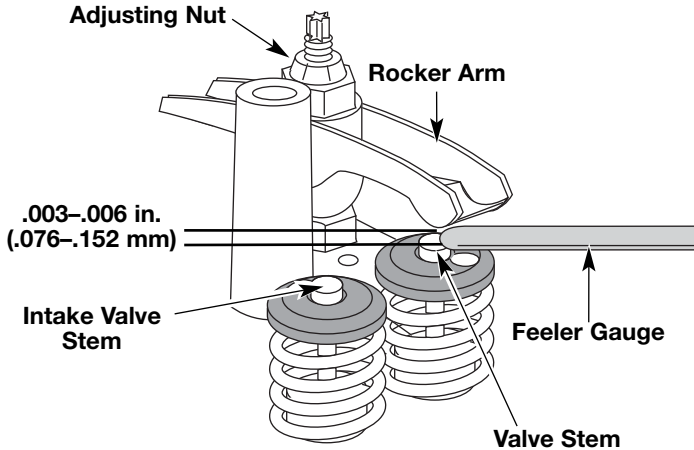


Fig. 33

- If the clearance is not within specification:
  - Turn the adjusting nut (Fig. 33) using a 5/16 inch (8 mm) wrench or nut driver.
    - To increase clearance, turn the adjusting nut counterclockwise.
    - To decrease clearance, turn the adjusting nut clockwise.
  - Recheck both clearances, and adjust as necessary.
- Reinstall the rocker arm cover using a new gasket. Torque the screw to 20–30 in•lb (2.2–3.4 N•m).
- Check the spark plug and reinstall. See Replacing the Spark Plug.
- Replace the spark plug wire.
- Reinstall the engine cover. Check alignment of the cover before tightening the screws. Tighten screws.

### REPLACING THE SPARK PLUG

Use a replacement part number 753-05255 spark plug. The correct air gap is 0.025 in. (0.635 mm.). Remove the plug after every 25 hours of operation and check its condition.

- Stop the engine and allow it to cool. Remove the eight (8) screws on the back of the engine cover with a Flat-head or T-25 Torx screwdriver (Fig. 30).
- Grasp the plug wire firmly and pull the cap from the spark plug.
- Clean dirt from around the spark plug. Remove the spark plug from the cylinder head by turning a 5/8 in. socket counterclockwise.
- Replace cracked, fouled or dirty spark plug. Set the air gap at 0.025 in. (0.635 mm.) using a feeler gauge (Fig. 34).
- Install a correctly-gapped spark plug in the cylinder head. Turn the 5/8 in. socket clockwise until snug.

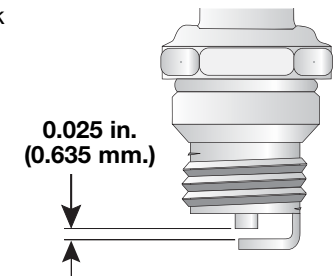


Fig. 34

If using a torque wrench torque to:  
**110-120 in.•lb. (12.3-13.5 N•m)**  
**Do not over tighten.**



**WARNING:** Do not sand blast, scrape or clean electrodes. Grit in the engine could damage the cylinder.

### SPARK ARRESTOR MAINTENANCE

Inspect the spark arrestor after every 50 hours of operation.

- Remove the rear engine cover. See Rocker Arm Clearance.
- With a flat blade screwdriver or Torx T-20 bit and a T-25 bit, remove the 4 screws attaching the spark arrestor cover to the muffler (Fig. 35).

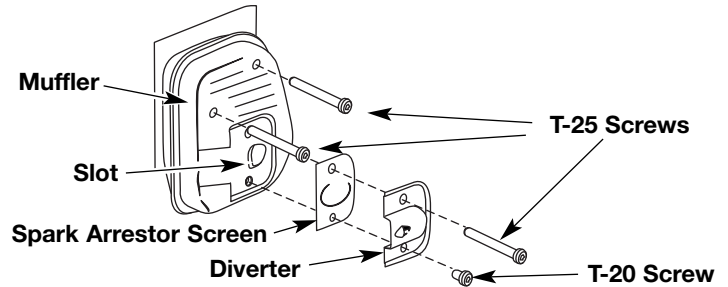


Fig. 35

- Pull the tab on the spark arrestor cover out of the muffler. Remove the spark arrestor cover.
- Remove the spark arrestor screen from the spark arrestor cover.
- Clean the spark arrestor screen with a wire brush or replace it.
- Reinstall the spark arrestor screen, spark arrestor cover and screws.



**WARNING:** To avoid serious personal injury, always turn your unit off and allow it to cool before you clean or service it.

### CLEANING

Use a small brush to clean off the outside of the unit. Do not use strong detergents. Household cleaners that contain aromatic oils such as pine and lemon, and solvents such as kerosene, can damage plastic housing or handle. Wipe off any moisture with a soft cloth.

### STORAGE

- Never store the unit with fuel in the tank where fumes may reach an open flame or spark.
- Allow the engine to cool before storing.
- Lock up the unit to prevent unauthorized use or damage.
- Store the unit in a dry, well-ventilated area.
- Store the unit out of the reach of children.

### LONG TERM STORAGE

- Drain all gasoline from the gas tank into a container. Do not use gas that has been stored for more than 60 days. Dispose of the old gasoline in accordance to Federal, State, and Local regulations.
- Start the engine and allow it to run until it stalls. This ensures that all gasoline has been drained from the carburetor.
- Allow the engine to cool. Remove the eight (8) screws on the back of the engine cover with a Flat-head or T-25 Torx screwdriver. Remove the spark plug and put 5 drops of high quality motor oil into the cylinder. Pull the starter rope slowly to distribute the oil. Reinstall the spark plug.

**NOTE:** Remove the spark plug and drain all of the oil from the cylinder before attempting to start the blower after storage.

- Change the oil, referring to Changing the Oil. Dispose of the old oil in accordance to Federal, State and Local regulations.
- Thoroughly clean the unit and inspect for any loose or damaged parts. Repair or replace damaged parts and tighten loose screws, nuts or bolts. The unit is ready for storage.

### TRANSPORTING

- Allow the engine to cool before transporting.
- Secure the unit while transporting.
- Drain the gas tank before transporting.
- Tighten gas cap before transporting.

## TROUBLESHOOTING

### ENGINE WILL NOT START

CAUSE	ACTION
Empty fuel tank	Fill fuel tank with fuel
Primer bulb wasn't pressed enough	Press primer bulb fully and slowly 10 times
Old fuel	Drain gas tank and add fresh fuel
Fouled spark plug	Replace or clean the spark plug
Plugged spark arrestor	Clean or replace spark arrestor

### ENGINE WILL NOT IDLE

CAUSE	ACTION
Air filter is plugged	Replace or clean the air filter
Old fuel	Drain gas tank and add fresh fuel
Improper carburetor adjustment	Adjust according to the <i>Carburetor Adjustments</i> section or take to an authorized service dealer for an adjustment

### ENGINE WILL NOT ACCELERATE

CAUSE	ACTION
Old fuel	Drain gas tank and add fresh fuel
Improper carburetor adjustment	Adjust according to the <i>Carburetor Adjustments</i> section or take to an authorized service dealer for an adjustment
Dirty air filter	Clean or replace the air filter
Plugged spark arrestor	Clean or replace spark arrestor

### ENGINE LACKS POWER OR STALLS

CAUSE	ACTION
Old fuel	Drain gas tank and add fresh fuel
Improper carburetor adjustment	Adjust according to the <i>Carburetor Adjustments</i> section or take to an authorized service dealer for an adjustment
Fouled spark plug	Replace or clean the spark plug
Plugged spark arrestor	Clean or replace spark arrestor

**If further assistance is required, contact your authorized service dealer.**

## SPECIFICATIONS

### ENGINE\*

Engine Type	Air-Cooled, 4-Cycle
Displacement	1.95 in. <sup>3</sup> (32 cc)
Operating RPM	5,500–6,500 rpm
Idle Speed RPM	3,800–4,400 rpm
Ignition Type	Electronic
Ignition Switch	Rocker Switch
Valve clearance	0.003–0.006 in. (0.076–0.152 mm)
Spark Plug Gap	0.025 inch (0.635 mm)
Lubrication	SAE 30 Oil
Crankcase Oil Capacity	3.04 oz (90 ml)
Fuel	Unleaded
Carburetor	Diaphragm, All-Position
Starter	Auto Rewind
Muffler	Baffled with Guard
Throttle	Manual Spring Return
Fuel Tank Capacity	20 oz (591 ml)

\*All specifications are based on the latest product information available at the time of printing. We reserve the right to make changes at any time without notice.

## CALIFORNIA / EPA EMISSION CONTROL WARRANTY STATEMENT

### Your Warranty Rights and Obligations

The California Air Resources Board, the Environmental Protection Agency, and Troy-Bilt LLC (Troy-Bilt) are pleased to explain the emission control system warranty on your 2007 and later small off-road engine. In California and the 49 states, new small off-road engines must be designed, built and equipped to meet the state's stringent anti-smog standards. Troy-Bilt must warrant the emission control system on your small off-road engine for the periods of time listed below provided there has been no abuse, neglect or improper maintenance of your small off-road engine.

Your emission control system may include parts such as the carburetor or fuel-injection system, the ignition system, and catalytic converter. Also included may be hoses, belts, connectors and other emission-related assemblies.

Where a warrantable condition exists, Troy-Bilt will repair your small off-road engine at no cost to you including diagnosis, parts and labor.

The 2007 and later small off-road engines are warranted for two years. If any emission-related part on your engine is defective, the part will be repaired or replaced by Troy-Bilt.

### Owners Warranty Responsibilities

As the small off-road engine owner, you are responsible for the performance of the required maintenance listed in your operator's manual. Troy-Bilt recommends that you retain all receipts covering maintenance on your small off-road engine, but Troy-Bilt cannot deny warranty solely for the lack of receipts or for your failure to ensure the performance of all scheduled maintenance.

- As the small off-road engine owner, you should however be aware that Troy-Bilt may deny you warranty coverage if your small off-road engine or a part has failed due to abuse, neglect, improper maintenance or unapproved modifications.
- You are responsible for presenting your small off-road engine to a Troy-Bilt Authorized Service Center as soon as a problem exists. The warranty repairs should be completed in a reasonable amount of time, not to exceed 30 days.

If you have any questions regarding your warranty rights and responsibilities, you should call **1-800-828-5500**.

### Manufacturer's Warranty Coverage

- The warranty period begins on the date the engine or equipment is delivered to the retail purchaser.
- The manufacturer warrants to the initial owner and each subsequent purchaser, that the engine is free from defects in material and workmanship which cause the failure of a warranted part for a period of two years.
- Repair or replacement of warranted part will be performed at no charge to the owner at an Authorized Troy-Bilt Service Center. For the nearest location please contact Troy-Bilt at: **1-800-828-5500**.
- Any warranted part which is not scheduled for replacement, as required maintenance or which is scheduled for only for regular inspection to the effect of "Repair or Replace as Necessary" is warranted for the warranty period. Any warranted part which is scheduled for replacement as required maintenance will be warranted for the period of time up to the first scheduled replacement point for that part.
- The owner will not be charged for diagnostic labor which leads to the determination that a warranted part is defective, if the diagnostic work is performed at an Authorized Troy-Bilt Service Center.
- The manufacturer is liable for damages to other engine components caused by the failure of a warranted part still under warranty.
- Failures caused by abuse, neglect or improper maintenance are not covered under warranty.
- The use of add-on or modified parts can be grounds for disallowing a warranty claim. The manufacturer is not liable to cover failures of warranted parts caused by the use of add-on or modified parts.
- In order to file a claim, go to your nearest Authorized Troy-Bilt Service Center. Warranty services or repairs will be provided at all Authorized Troy-Bilt Service Centers.
- Any manufacturer approved replacement part may be used in the performance of any warranty maintenance or repair of emission related parts and will be provided without charge to the owner. Any replacement part that is equivalent in performance or durability may be used in non-warranty maintenance or repair and will not reduce the warranty obligations of the manufacturer.

### Emission Warranty Parts List:

The following components are included in the emission-related warranty of the engine: air filter, carburetor, primer, fuel lines, fuel pick up/ fuel filter, ignition module, spark plug, and muffler. Valves and Cam are additionally included if your engine is a 4-Stroke Model.



## CALIFORNIA EVAPORATIVE EMISSION CONTROL WARRANTY STATEMENT

### Your Warranty Rights and Obligations

The California Air Resources Board and Troy-Bilt LLC (Troy-Bilt) is pleased to explain the evaporative emission control system's warranty on your 2007 model year and later small off-road (equipment type) engine. In California, new equipment that use small off-engines must be designed, built, and equipped to meet the State's stringent anti-smog standards Troy-Bilt must warrant the evaporative emission control system on your small off-road Lawn & Garden engine for the period listed below provided there has been no abuse, neglect or improper maintenance of your equipment.

Your evaporative emission control system may include parts such as: carburetors, fuel tanks, fuel lines, fuel caps, valves, canisters, filters, vapor hoses, clamps, connectors, and other associated components. For engines less than or equal to 80 cc, only the fuel tank is subject to the evaporative emission control warranty requirements of this section. The displacement of your small off road engine is less than 80 cc.

### Manufacturer's Warranty Coverage

This evaporative emission control system is warranted for two years. If any evaporative emission-related part on your equipment is defective, the part will be repaired or replaced by Troy-Bilt.

### Owner's Warranty Responsibilities

- As the small off-road Lawn & Garden engine owner, you are responsible for performance of the required maintenance listed in your owner's manual. Troy-Bilt recommends that you retain all receipts covering maintenance on your Lawn & Garden Engine but Troy-Bilt cannot deny warranty solely for the lack of receipts.
- As the small off-road Lawn & Garden engine owner, you should however be aware that the Troy-Bilt may deny you warranty coverage if your fuel tank has failed due to abuse, neglect, or improper maintenance or unapproved modifications.
- You are responsible for presenting your Lawn & Garden fuel tank to Troy-Bilt distribution center or service center as soon as the problem exists. The warranty repairs should be completed in a reasonable amount of time, not to exceed 30 days. If you have a question regarding your warranty coverage, you should contact Troy-Bilt at **1-800-828-5500**.

### Defects Warranty Requirements

- (a) The warranty period begins on the date the engine or equipment is delivered to an ultimate purchaser.
- (b) General Evaporative Emissions Warranty Coverage. The fuel tank must be warranted to the ultimate purchaser and any subsequent owner that the evaporative emission control system when installed was:
  - (1) Designed, built, and equipped so as to conform with all applicable regulations; and
  - (2) Free from defects in materials and workmanship that causes the failure of a warranted part for a period of two years.
- (c) The warranty on evaporative emissions-related parts will be interpreted as follows:
  - (1) Any warranted part that is not scheduled for replacement as required maintenance in the written instructions must be warranted for the warranty period defined in subsection (b)(2). If any such part fails during the period of warranty coverage, it must be repaired or replaced by Troy-Bilt. Any such part repaired or replaced under the warranty must be warranted for a time not less than the remaining warranty period.
  - (2) Any warranted part that is scheduled only for regular inspection in the written instructions must be warranted for the warranty period defined in subsection (b)(2). A statement in such written instructions to the effect of "repair or replace as necessary" will not reduce the period of warranty coverage. Any such part repaired or replaced under warranty must be warranted for a time not less than the remaining warranty period.
  - (3) Any warranted part that is scheduled for replacement as required maintenance in the written instructions must be warranted for the period of time prior to the first scheduled replacement point for that part. If the part fails prior to the first scheduled replacement, the part must be repaired or replaced by the Troy-Bilt. Any such part repaired or replaced under warranty must be warranted for a time not less than the remainder of the period prior to the first scheduled replacement point for the part.
  - (4) Repair or replacement of any warranted part under the warranty provisions of this article must be performed at no charge to the owner at a warranty station.
  - (5) Notwithstanding the provisions of subsection (4) above, warranty services or repairs must be provided at distribution centers that are franchised to service the subject engines or equipment.
  - (6) The owner must not be charged for diagnostic labor that leads to the determination that a warranted part is in fact defective, provided that such diagnostic work is performed at a warranty station.
  - (7) Throughout the evaporative emission control system's warranty period set out in subsection (b)(2), Troy-Bilt must maintain a supply of warranted parts sufficient to meet the expected demand for such parts.
  - (8) Manufacturer approved replacement parts must be used in the performance of any warranty maintenance or repairs and must be provided without charge to the owner. Such use will not reduce the warranty obligations of the manufacturer issuing the warranty.
  - (9) The use of any add-on or modified parts will be grounds for disallowing a warranty claim made in accordance with this article. The manufacturer issuing the warranty will not be liable under this Article to warrant failures of warranted parts caused by the use of an add-on or modified part.
  - (10) Troy-Bilt shall provide any documents that describe the warranty procedures or policies within five working days of request by the Air Resources Board.

### Emission Warranty Parts List

- (1) Fuel Tank

Written instructions for the maintenance and use of the evaporative emissions control system by the owner shall be furnished with each new engine or equipment.

# MANUFACTURER'S LIMITED WARRANTY FOR:



The limited warranty set forth below is given by Troy-Bilt LLC (Troy-Bilt) with respect to new merchandise purchased and used in the United States, its possessions and territories.

Troy-Bilt warrants this product against defects in material and workmanship for a period of two (2) years commencing on the date of original purchase and will, at its option, repair or replace, free of charge, any part found to be defective in material or workmanship. This limited warranty shall only apply if this product has been operated and maintained in accordance with the Operator's Manual furnished with the product, and has not been subject to misuse, abuse, commercial use, neglect, accident, improper maintenance, alteration, vandalism, theft, fire, water or damage because of other peril or natural disaster. Damage resulting from the installation or use of any accessory or attachment not approved by Troy-Bilt for use with the product(s) covered by this manual will void your warranty as to any resulting damage. This warranty is limited to ninety (90) days from the date of original retail purchase for any Troy-Bilt product that is used for rental or commercial purposes, or any other income-producing purpose.

**HOW TO OBTAIN SERVICE:** Warranty service is available, WITH PROOF OF PURCHASE THROUGH YOUR LOCAL AUTHORIZED SERVICE DEALER. To locate the dealer in your area, visit our website at [www.troybilt.com](http://www.troybilt.com), check for a listing in the Yellow Pages, call **1-800-828-5500** or **1-800-668-1238** in Canada, or write to P.O. Box 361131, Cleveland, OH 44136-0019.

**This limited warranty does not provide coverage in the following cases:**

- A. Tune-ups - Spark Plugs, Carburetor Adjustments, Filters
- B. Wear items - Bump Knobs, Outer Spools, Cutting Line, Inner Reels, Starter Pulley, Starter Ropes, Drive Belts, Saw Chain, and Chain Bar
- C. Troy-Bilt does not extend any warranty for products sold or exported outside of the United States of America, its possessions and territories, except those sold through Troy-Bilt's authorized channels of export distribution.

Troy-Bilt reserves the right to change or improve the design of any Troy-Bilt Product without assuming any obligation to modify any product previously manufactured.

**No implied warranty, including any implied warranty of merchantability or fitness for a particular purpose, applies after the applicable period of express written warranty above as to the parts as identified. No other express warranty or guaranty, whether written or oral, except as mentioned above, given by any person or entity, including a dealer or retailer, with respect to any product shall bind Troy-Bilt. During the period of the Warranty, the exclusive remedy is repair or replacement of the product as set forth above.** (Some states do not allow limitations on how long an implied warranty lasts, so the above limitation may not apply to you.)

**The provisions as set forth in this Warranty provide the sole and exclusive remedy arising from the sales. Troy-Bilt shall not be liable for incidental or consequential loss or damages including, without limitation, expenses incurred for substitute or replacement lawn care services, for transportation or for related expenses, or for rental expenses to temporarily replace a warranted product.** (Some states do not allow limitations on how long an implied warranty lasts, so the above limitation may not apply to you.)

In no event shall recovery of any kind be greater than the amount of the purchase price of the product sold. Alteration of the safety features of the product shall void this Warranty. You assume the risk and liability for loss, damage, or injury to you and your property and/or to others and their property arising out of the use or misuse or inability to use the product.

This limited warranty shall not extend to anyone other than the original purchaser, original lessee or the person for whom it was purchased as a gift.

**How State Law Relates to this Warranty:** This warranty gives you specific legal rights, and you may also have other rights which vary from state to state.

To locate your nearest service dealer dial **1-800-828-5500** or **1-800-668-1238** in Canada.

**Troy-Bilt LLC**

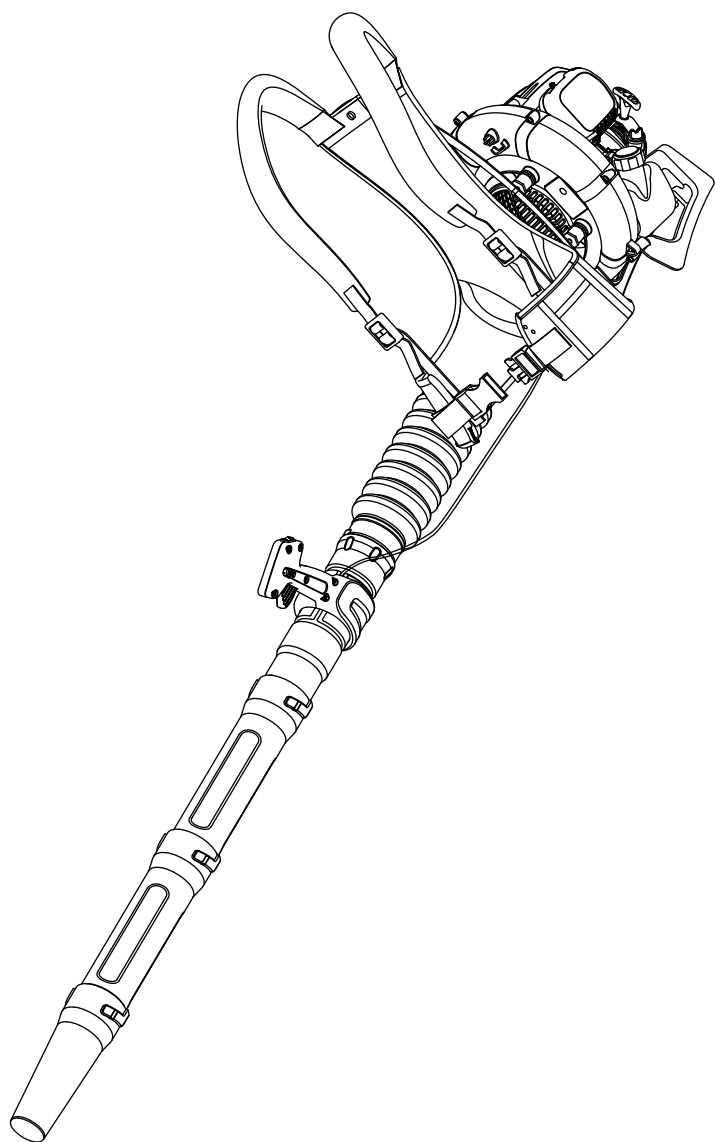
P.O. Box 361131

Cleveland, OH 44136-0019



# Manuel de L'utilisateur

## Souffleur à dos à 4-temps TB4BP



### CONSERVER CES INSTRUCTIONS

Obtenez la liste des concessionnaires agréés appelez le **1-800-828-5500** aux États-Unis ou le **1-800-668-1238** au Canada. Pour de plus amples informations à propos de votre appareil, visitez [www.troybilt.com](http://www.troybilt.com).

**NE RETOURNEZ PAS L'APPAREIL AU DÉTAILLANT CHEZ QUI VOUS L'AVEZ ACHETÉ. TOUT SERVICE SOUS GARANTIE NÉCESSITE UNE PREUVE D'ACHAT.**

CE PRODUIT EST COUVERT PAR UN OU PLUSIEURS BREVETS AMÉRICAINS, ET D'AUTRES SONT EN INSTANCE.

Tout entretien effectué sur cet appareil pendant et après la période de garantie doit être fait par un concessionnaire agréé uniquement.

Avant d'assembler votre nouvel équipement, repérez la plaque signalétique de l'appareil et copiez ses informations dans l'espace ci-dessous. Ces informations sont essentielles si vous désirez obtenir de l'aide auprès de notre service technique ou d'un distributeur agréé. Un exemple de plaque signalétique est présenté ci-dessous.

Numéro de série
Numéro de modèle
Numéro de pièce mère

MODEL : \_\_\_\_\_

S/N : \_\_\_\_\_ ITEM : \_\_\_\_\_

**Copiez le numéro de modèle / pièce mère ici :**

**Copiez le numéro de série ici :**

#### TABLE DES MATIÈRES

Service technique .....	F1
Consignes de sécurité .....	F2
Familiarisez-vous avec l'appareil .....	F5
Instructions de montage .....	F6
Informations sur l'huile et le carburant .....	F8
Instructions de démarrage et d'arrêt .....	F9
Mode d'emploi .....	F10
Entretien et réparations .....	F11
Nettoyage et entreposage .....	F13
Tableau de dépannage .....	F14
Caractéristiques .....	F15
Garantie .....	F18
List des pièces .....	E18

Toutes les informations, illustrations et spécifications contenues dans ce manuel tiennent compte des dernières informations techniques disponibles au moment de mettre sous presse. Nous nous réservons le droit d'y apporter des modifications à tout moment, sans préavis.  
Copyright© 2007 MTD SOUTHWEST INC., Tous droits réservés.

## CONSIGNES DE SÉCURITÉ

### PARE-ÉTINCELLES

**REMARQUE :** à l'intention des utilisateurs opérant dans les terres forestières des États-Unis et dans les états de Californie, du Maine, de l'Orégon et de Washington. Toutes les terres forestières des États-Unis et de l'état de Californie (Codes sur les ressources publiques 4442 et 4443), de l'Orégon et de Washington exigent de par la loi que certains moteurs à combustion interne utilisés dans des zones couvertes de taillis ou d'herbe soient équipés d'un pare-étincelles en parfait état de fonctionnement, ou qu'ils soient conçus, équipés et entretenus pour la prévention des incendies. Renseignez-vous auprès des autorités de votre province ou de votre municipalité concernant la réglementation en vigueur. Vous pourriez être passible d'une amende ou être tenu responsable si vous ne respectez pas cette réglementation. Cet appareil est équipé d'un pare-étincelles en usine. **Si l'écran pare-étincelles, réf. 753-05255, doit être remplacé,** communiquez avec le service technique.

### AVERTISSEMENT DE LA PROPOSITION 65 DE CALIFORNIE

	<b>AVERTISSEMENT</b>	
<b>LES GAZ D'ÉCHAPPEMENT DU MOTEUR DE CET APPAREIL CONTIENNENT DES PRODUITS CHIMIQUES CONSIDÉRÉS PAR L'ÉTAT DE CALIFORNIE COMME POUVANT CAUSER LE CANCER, DES MALFORMATIONS CONGÉNITALES OU D'AUTRES EFFETS NOCIFS SUR L'APPAREIL DE REPRODUCTION.</b>		

Les symboles de sécurité attirent votre attention sur des dangers potentiels. Ces symboles et leurs détails explicatifs méritent que vous les lisiez et compreniez bien. Les avertissements de sécurité ne peuvent éviter les dangers de par eux-mêmes. Les consignes ou mises en garde qu'ils donnent ne remplacent pas des mesures préventives appropriées contre les accidents.

### SYMBOLE SIGNIFICATION



**ALERTE DE SÉCURITÉ :** Indique un danger, un avertissement ou une mise en garde. Soyez vigilant afin d'éviter toute blessure grave. Ce symbole peut être combiné à d'autres symboles ou pictogrammes.



**DANGER :** le non-respect d'un avertissement peut causer dommages matériels ou blessures graves pour tous. Respectez les consignes de sécurité afin de réduire les risques d'incendie, d'électrocution et de blessures.



**AVERTISSEMENT :** le non-respect d'un avertissement peut causer dommages matériels ou blessures graves pour tous. Respectez les consignes de sécurité afin de réduire les risques d'incendie, d'électrocution et de blessures.



**MISE EN GARDE :** le non-respect d'un avertissement peut causer dommages matériels ou blessures graves pour tous. Respectez toujours les consignes de sécurité afin de réduire les risques d'incendie, d'électrocution et de blessures.


**REMARQUE:** donne des informations ou des instructions vitales pour le fonctionnement ou l'entretien de l'équipement.

Lisez le(s) manuel(s) de l'utilisateur et suivez tous les avertissements et consignes de sécurité. Vous pourriez à défaut entraîner des blessures graves pour vous ou d'autres personnes.

**SI VOUS AVEZ DES QUESTIONS, APPELEZ LE 1-800-828-5500 AUX ÉTATS-UNIS, OU LE 1-800-668-1238 AU CANADA**


### • IMPORTANTES CONSIGNES DE SÉCURITÉ •

#### LISEZ TOUTES LES INSTRUCTIONS AVANT L'UTILISATION

	<b>AVERTISSEMENT :</b> suivez soigneusement les consignes de sécurité lorsque vous utilisez cet appareil. Dans l'intérêt de votre sécurité et de celle des personnes à proximité, prenez soin de lire ces instructions avant de faire fonctionner la machine. Veuillez garder les instructions en lieu sûr pour usage ultérieur.
--	--

- Veuillez lire les instructions avec soin. Familiarisez-vous avec les commandes et l'utilisation correcte de cet appareil.
- Veuillez lire le manuel de l'utilisateur attentivement. Familiarisez-vous avec les commandes et l'utilisation correcte de l'appareil. Sachez comment arrêter l'appareil et désactiver les commandes rapidement.
- N'utilisez pas l'appareil si vous êtes fatigué, malade ou sous l'effet de l'alcool, de drogues ou de médicaments.
- Ne laissez pas les enfants faire fonctionner l'appareil. Ne laissez jamais des adultes qui ne se sont pas familiarisés avec les instructions utiliser l'appareil. Ne laissez jamais des adultes n'ayant jamais reçu les instructions nécessaires faire fonctionner l'appareil.
- Tous les accessoires de sécurité et protections doivent être correctement installés avant d'utiliser cet appareil.

#### AVERTISSEMENTS DE SÉCURITÉ SPÉCIAUX POUR TÊTES D'ENTRAÎNEMENT À ESSENCE

	<b>AVERTISSEMENT :</b> l'essence est extrêmement inflammable et ses vapeurs peuvent exploser si on y met le feu. Veuillez prendre les précautions suivantes.
--	--

- Ne conserver le carburant que dans des récipients spécialement conçus et homologués pour le stockage de ce type de produit.

- Toujours arrêter le moteur et le laisser refroidir avant faire l'appoint de carburant. Ne jamais retirer le bouchon du réservoir de carburant ou faire l'appoint pendant que le moteur est chaud. Ne jamais utiliser l'outil sans que le bouchon du réservoir soit bien en place. Desserrer le bouchon lentement afin de relâcher la pression du réservoir.
- Ajoutez le carburant dans un endroit bien aéré et propre, en plein air, à l'abri des sources d'étincelles ou flammes vives. Ne retirer (lentement) le bouchon du réservoir d'essence qu'après avoir arrêté le moteur. Ne pas fumer pendant l'approvisionnement de carburant. Essuyer immédiatement le carburant répandu sur l'outil.
- Éviter de créer une source d'allumage pour le carburant répandu. Ne pas lancer le moteur avant que toutes les vapeurs se soient dissipées, afin d'éviter de créer une source d'allumage pour le carburant répandu.
- Éloigner l'outil d'au moins 9 m (30 pi) du point d'approvisionnement en carburant avant de démarrer le moteur. Ne pas fumer et éloigner toute source d'étincelles ou de flammes vives du point d'approvisionnement ou d'utilisation de l'outil.

#### PENDANT L'UTILISATION

- Ne jamais démarrer ou utiliser l'outil dans un local clos. L'inhalation des vapeurs d'échappement peut être mortelle. N'utiliser l'outil qu'à l'extérieur, dans un endroit bien aéré.
- Pour réduire les risques de blessures par des objets projetés, porter des lunettes de sécurité conformes à la norme ANSI Z87.1.
- Ne jamais utiliser l'outil s'il n'est pas équipé des accessoires nécessaires.
- Pour réduire les risques de perte de l'ouïe causée par le niveau de bruit, toujours porter une protection auditive lors de l'utilisation.
- Porter des pantalons épais et longs, des bottes, des gants et une chemise à manches longues. Ne pas porter de shorts ou sandales et ne pas marcher pieds nus. Relevez les cheveux au-dessus du niveau des épaules.

## CONSIGNES DE SÉCURITÉ

- Ne pas porter de gants en caoutchouc ou isolés pour éviter les décharges d'électricité statique lors de l'utilisation.
- N'utiliser l'outil qu'en plein jour ou sous bon éclairage artificiel.
- Garder l'extérieur de l'outil exempt d'huile et de carburant.
- Éviter tout démarrage accidentel. Toujours se tenir en position de démarrage avant de tirer la corde de démarrage. L'opérateur et l'outil doivent tous deux être en position d'équilibre lors du démarrage. Voir les instructions de *Démarrage et arrêt*.
- L'outil doit toujours être posé sur une surface propre et ferme. Les matériaux tels que le gravier, le sable, la poussière, l'herbe, etc. peuvent être aspirés par l'admission d'air et projetés par la sortie de l'outil, ce qui peut endommager l'outil, causer des dégâts matériels et des blessures graves à l'utilisateur ou aux personnes se trouvant à proximité.
- Toujours utiliser un outil adéquat pour l'application. Ne pas utiliser cet outil pour un usage pour lequel il n'est pas conçu.
- Ne pas forcer l'outil. Il fonctionnera plus efficacement et sera moins dangereux si sa capacité nominale n'est pas dépassée.
- Ne pas essayer de travailler hors de portée ou en se tenant sur une surface instable, telle qu'une échelle, un arbre, un toit, une pente abrupte, un toit, etc. Toujours se tenir bien campé, en position d'équilibre.
- Toujours tenir l'outil fermement pendant l'utilisation.
- Garder les mains, le visage et les pieds à l'écart des pièces en mouvement. Ne pas essayer de toucher ou d'arrêter l'hélice en rotation. Ne pas utiliser l'outil si les dispositifs de protection ne son pas en place.
- Ne jamais introduire quoi que ce soit dans les ouvertures. Garder les ouvertures dégagées, exemptes de poussières et de débris ou autres risquant de réduire la circulation d'air.
- Ne toucher ni le moteur, ni le silencieux. Ces pièces deviennent très chaudes pendant le fonctionnement. Elles restent brûlantes pendant quelques temps après l'arrêt.
- Ne pas faire fonctionner le moteur à un régime plus qu'il n'est nécessaire pour s'acquitter de la tâche. Ne pas faire tourner le moteur à haut régime à vide.
- Toujours arrêter le moteur si le travail est interrompu ou avant de se déplacer d'un endroit à un autre.
- Arrêter le moteur et débrancher avant toute opération d'entretien ou réparation et avant d'installer ou retirer les tubes de souffeuse. Le moteur et les pales de l'hélice doivent être parvenus à l'arrêt complet pour éviter tout danger de blessure par les pièces en rotation.
- Si vous heurtez ou happez un corps étranger, arrêtez le moteur immédiatement et vérifiez que rien n'a été endommagé. Réparez tout dommage éventuel avant de poursuivre le travail.
- N'utilisez que des pièces de équipement original rechange du fabricant pour cet appareil. Elles sont disponibles auprès de votre concessionnaire Troy-Bilt. L'utilisation de pièces ou accessoires autres que ceux de équipement original peut causer des blessures graves, endommager l'appareil et annuler sa garantie.

- Ne jamais utiliser cet outil pour répandre des produits chimiques, engrais ou matériaux pouvant contenir des substances toxiques.
- Afin de réduire les risques d'incendie, remplacer tout silencieux ou pare-étincelles défectueux et garder le moteur et le silencieux exempts d'herbe, de feuilles et d'accumulation excessive de graisse ou de calamine.
- Éteignez le moteur et débranchez le câble de la bougie pour entretenir ou réparations.
- Ne jamais diriger le tube de la souffeuse vers des personnes, animaux domestiques ou fenêtres. Toujours souffler les débris en direction opposée des personnes, animaux domestiques et fenêtres. Redoubler de prudence lors du travail à proximité d'objets massifs tels que des arbres, véhicules, murs, etc.

### AUTRES AVERTISSEMENTS DE SÉCURITÉ

- Toujours débrancher la bougie avant de travailler sur les pièces mobiles.
- Ne jamais remiser l'outil rempli de carburant à l'intérieur d'un bâtiment où les vapeurs peuvent atteindre une source de flammes vives (une veilleuse par exemple) ou d'étincelles (commutateurs, moteurs électriques, etc).
- Laisser le moteur refroidir avant de remiser ou transporter l'outil. Bien arrimer l'outil pour le transport.
- Remiser l'outil dans un endroit sec pouvant être verrouillé ou en hauteur afin d'empêcher des dommages ou un usage non autorisé. Garder l'outils hors de portée des enfants.
- Ne jamais immerger l'outil et ne jamais l'arroser avec de l'eau ou tout autre liquide. Garder les poignées sèches, propres et exemptes de débris. Nettoyer après chaque usage. Voir les sections *Nettoyage et Remisage*.
- Conserver ces instructions. Les consulter fréquemment et les utiliser pour instruire d'autres utilisateurs. Si l'outil est prêté, il doit être accompagné de ces instructions.

**REMARQUE SPÉCIALE :** L'exposition à des vibrations due à un usage prolongé d'outils à essence peut entraîner une lésion des vaisseaux sanguins ou des nerfs au niveau des doigts, mains et articulations des personnes prédisposées aux troubles de la circulation et aux tumeurs anormales. L'utilisation prolongée en eau froide a été reliée aux lésions des vaisseaux sanguins chez des personnes normalement en santé. En cas de symptômes tel qu'engourdissement, douleur, perte de force, changement de couleur ou de texture de la peau, perte de sensation dans les doigts, les mains ou les articulations, cessez l'utilisation de l'appareil et consultez un médecin. Un système anti-vibration ne garantit pas que ce genre de problème puisse être évité. Les individus utilisant des outils mécaniques de manière régulière doivent surveiller attentivement leur état physique et celui de l'appareil.




## CONSERVER CES INSTRUCTIONS

## CONSIGNES DE SÉCURITÉ

### • SYMBOLES DE SÉCURITÉ ET INTERNATIONAUX •

Ce manuel de l'utilisateur décrit les symboles et pictogrammes de sécurité et internationaux pouvant apparaître sur ce produit. Consultez le manuel de l'utilisateur pour les informations concernant la sécurité, le montage, le fonctionnement, l'entretien et les réparations.

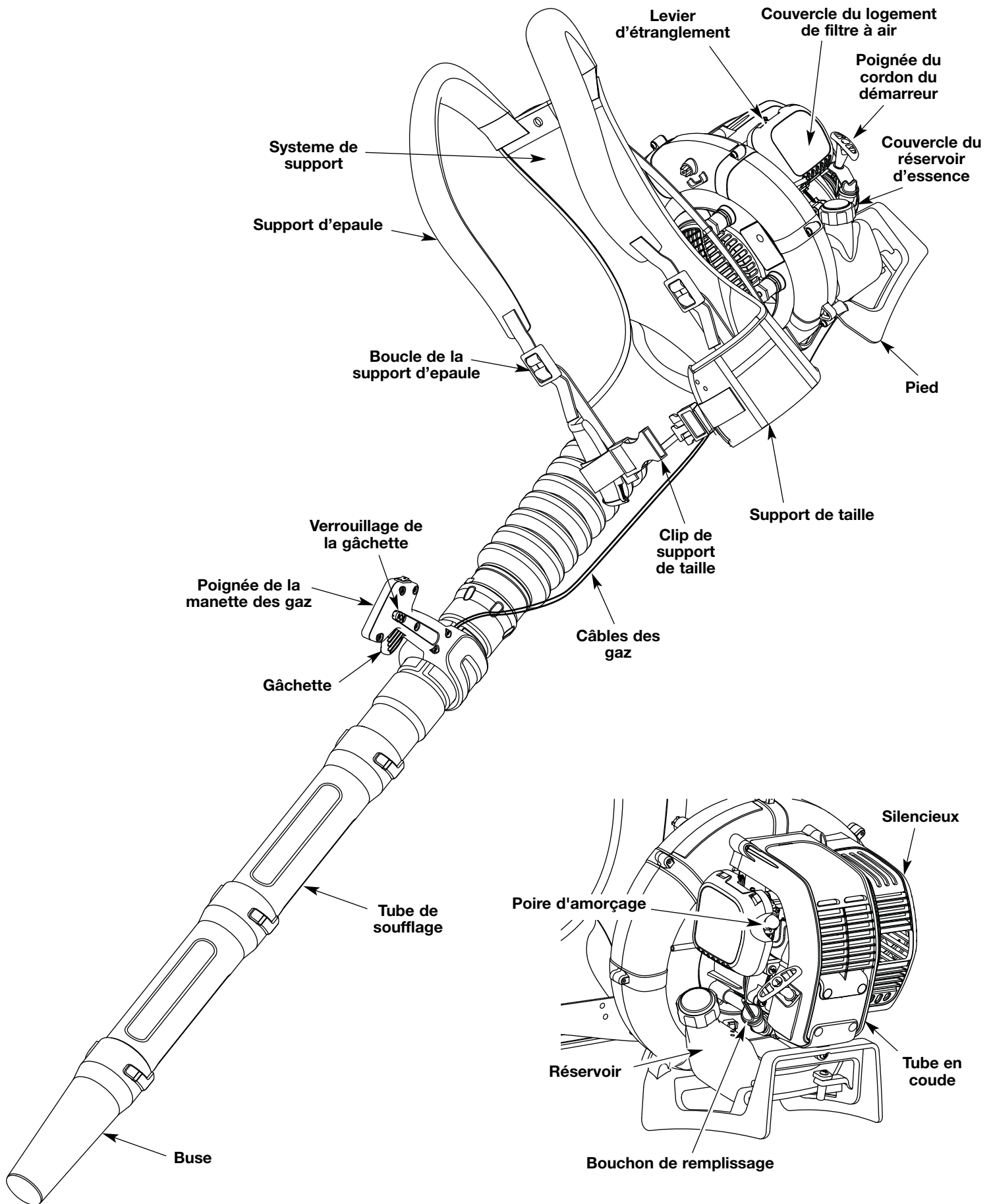
#### SYMBOLE SIGNIFICATION

	<p>• <b>SYMBOLE ALERTE DE SÉCURITÉ</b></p> <p>Indique un danger, un avertissement ou une mise en garde. Ce symbole peut être combiné à d'autres symboles ou pictogrammes.</p>
	<p>• <b>AVERTISSEMENT : LISEZ LE MANUEL DE L'UTILISATEUR</b></p> <p>Lisez le manuel de l'utilisateur et suivez tous les avertissements et consignes de sécurité. Vous pourriez à défaut entraîner des blessures graves pour vous ou d'autres personnes.</p>
	<p>• <b>PORTEZ DES PROTECTIONS (TÊTE, YEUX ET OREILLES)</b></p> <p><b>AVERTISSEMENT :</b> les objets projetés et les bruits forts peuvent endommager la vue et l'ouïe. Portez une visière de norme ANSI Z87.1-1989 et des protège-oreilles pendant l'utilisation. la chute d'objets peut causer des blessures graves à la tête. Protégez-vous la tête pendant l'utilisation de l'appareil.</p>
	<p>• <b>CARBURANT SANS PLOMB</b></p> <p>Utilisez toujours du carburant sans plomb frais et propre.</p>
	<p>• <b>NIVEAU D'HUILE</b></p> <p>Voir le manuel de l'utilisateur pour le type d'huile approprié.</p>

#### SYMBOLE SIGNIFICATION

	<p>• <b>COMMANDE MARCHÉ/ARRÊT</b></p> <p>ALLUMAGE / DÉMARRAGE / MARCHÉ</p>
	<p>• <b>COMMANDE MARCHÉ/ARRÊT</b></p> <p>ARRÊT ou STOP</p>
	<p>• <b>ÉLOIGNEZ LES SPECTATEURS</b></p> <p><b>AVERTISSEMENT :</b> éloignez tout spectateur, les enfants et les animaux domestiques en particulier, d'au moins 15 m (50 pi) de la zone de coupe.</p>
	<p>• <b>LES OBJETS PROJETÉS ET LA TÊTE ROTATIVE PEUVENT CAUSER DES BLESSURES GRAVES</b></p> <p><b>AVERTISSEMENT :</b> ne faites pas fonctionner sans protecteur de sécurité en plastique. Tenez-vous à l'écart de la lame de coupe rotatif.</p>
	<p>• <b>CONTRÔLE DE L'ÉTRANGLEUR</b></p> <p>A. Position d'ÉTRANGLEMENT <b>MAXIMUM</b>            B. Position d'ÉTRANGLEMENT <b>PARTIEL</b>            C. Position <b>MARCHÉ</b></p>
	<p>• <b>AVERTISSEMENT SURFACE CHAUDE</b></p> <p>Ne pas toucher aux surfaces chaudes. Vous pourriez vous brûler. Ces pièces deviennent très chaudes à l'utilisation. Elles restent chaudes brièvement après l'arrêt.</p>

FAMILIARISEZ-VOUS AVEC VOTRE APPAREIL



## INSTRUCTIONS DE MONTAGE

### ASSEMBLAGE DU TUBE DU SOUFFLEUR



**AVERTISSEMENT :** Afin d'éviter de graves blessures et éviter d'endommager l'appareil, coupez le moteur avant de retirer ou d'installer le tube du souffleur.

#### Installer le Flex Tube

1. Placer un collier de serrage à l'extrémité du tube flexible (Fig. 1, A).
2. Glisser l'extrémité du tube flexible avec le collier de serrage en place sur la sortie de la buse du logement de l'hélice (Fig. 1, B).
3. Aligner la bosse sur le tube flexible avec la bosse de la buse du moteur (Fig. 1, C).
4. Serrer la visse du collier de serrage pour fixer le tube flexible à buse de sortie de l'hélice (Fig. 1, D).

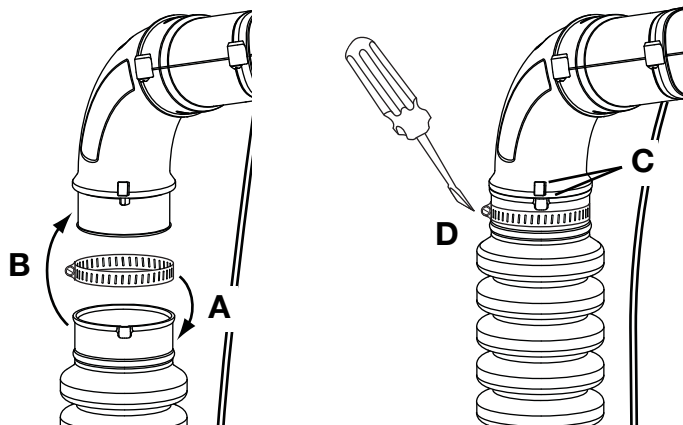


Fig. 1

#### Installer le tube de soufflage supérieur

1. Placer un collier de serrage à l'autre extrémité du tube flexible (Fig. 2, A).
2. Glisser cette extrémité du tube avec le collier de serrage en place sur l'extrémité supérieure du tube de soufflage supérieur (Fig. 2, B).
3. Aligner la bosse sur le tube flexible avec celle du tube de soufflage supérieur (Fig. 2, C).
4. Serrer la visse du collier de serrage pour fixer le tube flexible au tube de soufflage supérieur (Fig. 1, D).

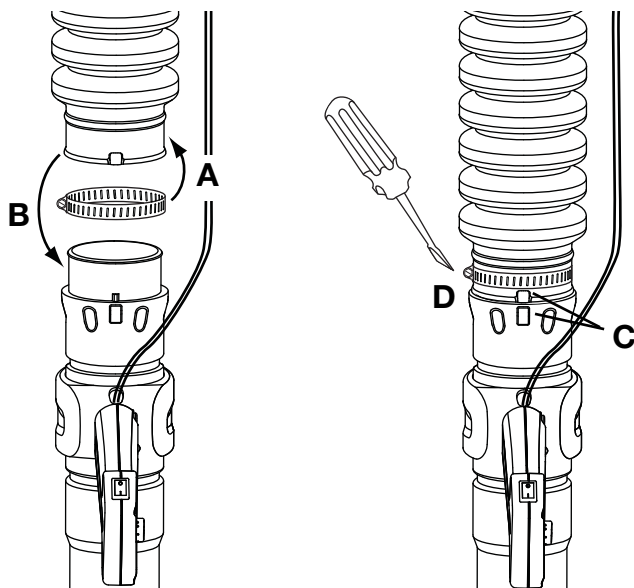


Fig. 2

#### Installer les tubes de soufflage inférieurs et la buse

1. Aligner l'encoche sur l'extrémité du premier tube de soufflage inférieur avec la bosse sur l'extrémité inférieure du tube de soufflage supérieur (Fig. 3, A).
2. Insérer la bosse sur le tube de soufflage supérieur dans l'encoche sur le tube d'extension (Fig. 3, A).
3. Pivoter le tube d'extension dans le sens des aiguilles d'une montre autour du tube de soufflage supérieur jusqu'à ce que la bosse du tube se verrouille en place (Fig. 3, B).

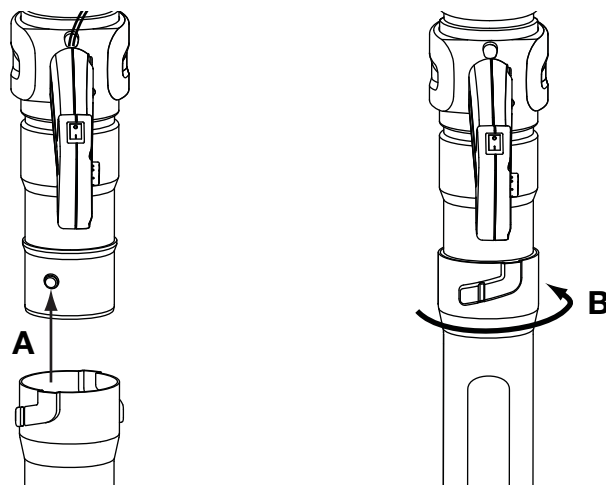


Fig. 3

4. Aligner l'encoche sur l'extrémité second tube de soufflage avec la bosse sur l'extrémité inférieure du premier tube de soufflage inférieur (Fig. 4, A).
5. Insérer la bosse sur le premier tube de soufflage inférieur dans l'encoche du second tube d'extension (Fig. 4, A).
6. Pivoter le second tube de soufflage inférieur dans le sens des aiguilles d'une montre jusqu'à ce que la bosse du second tube de soufflage se verrouille en place (Fig. 4B).

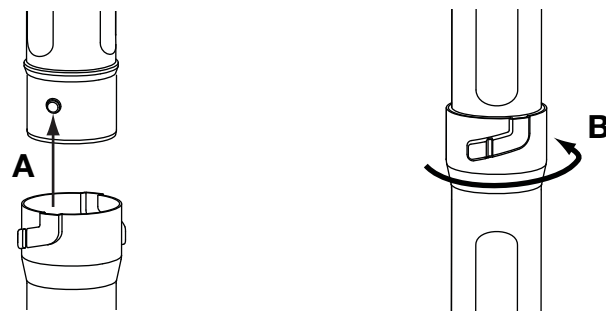


Fig. 4

7. Aligner l'encoche sur la partie supérieure de la buse avec la bosse sur l'extrémité inférieure du second tube de soufflage inférieur (Fig. 5A).
8. Insérer la bosse sur le tube de soufflage supérieur dans l'encoche de la buse (Fig. 5, A).
9. Pivoter la buse dans le sens des aiguilles d'une montre autour du second tube de soufflage inférieur jusqu'à ce que la bosse de la buse se verrouille en place (Fig. 5, B).

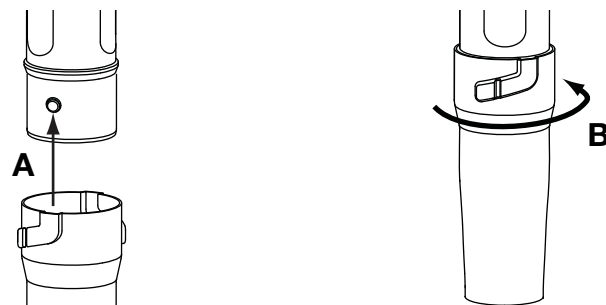


Fig. 5



## INSTRUCTIONS DE MONTAGE

Le souffleur assemblé devrait ressembler à la figure 6.

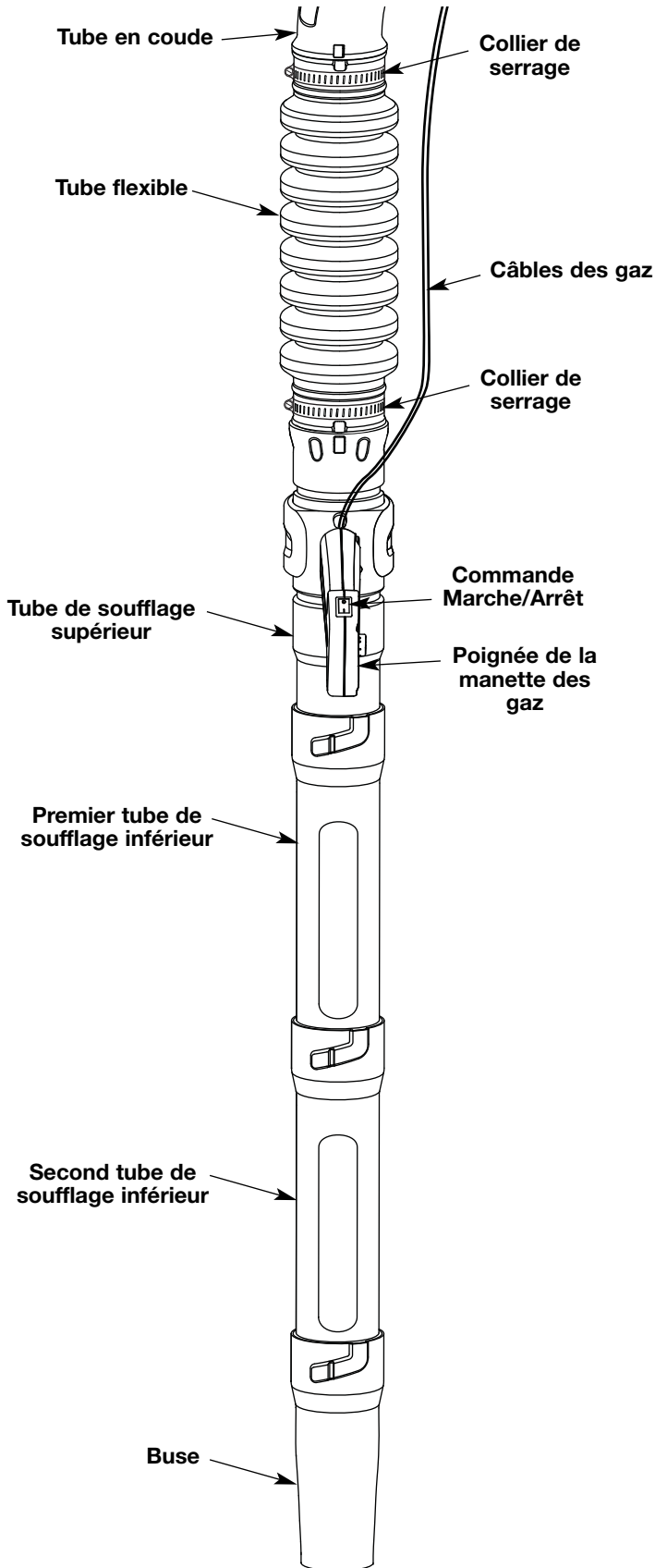


Fig. 6

### Ajuster la poignée

1. Tourner la poignée de la manette des gaz dans le sens contraire des aiguilles d'une montre jusqu'à ce que le tube de soufflage pointe directement vers le bas (Fig. 7, A).



**AVERTISSEMENT:** Ne pas tourner la manette dans le sens des aiguilles d'une montre pour l'ajuster. Ceci pourrait déconnecter les câbles de la manette des gaz ou du moteur.

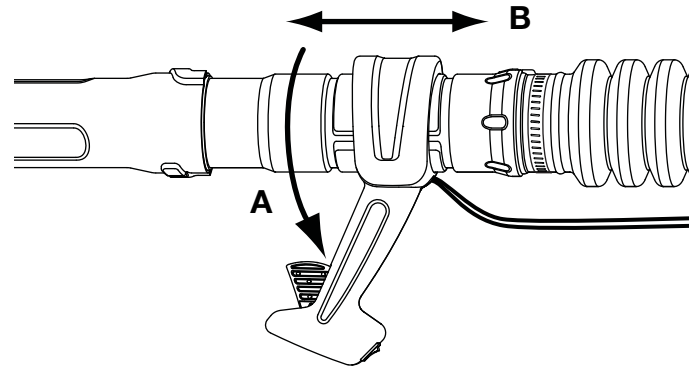


Fig. 7

2. Tirer ou pousser la poignée de la manette des gaz le long du tube jusqu'à ce que la distance du souffleur à dos vous convienne (Fig. 7, B).
3. Aligner la poignée de la manette des gaz avec l'encoche la plus proche de la position idéale et tourner la poignée de la manette des gaz dans le sens des aiguilles d'une montre en position verticale (Fig. 8).

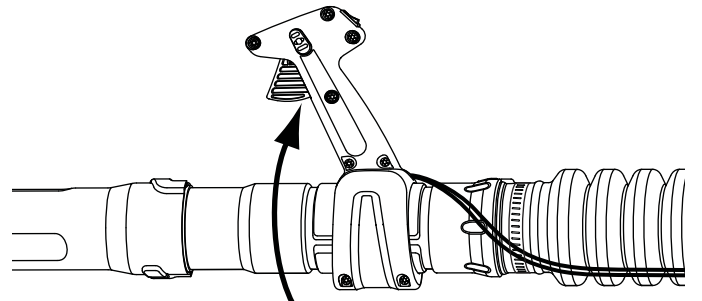


Fig. 8



**AVERTISSEMENT :** Afin d'éviter de graves blessures assurez-vous que les tubes du souffleur sont bien verrouillés et serrés en place.



**AVERTISSEMENT : LE REMPLISSAGE EXCESSIF DU CARTER-MOTEUR PEUT ANTRAÎNER DES BLESSURES GRAVES.** Nous ne saurions trop insister sur l'importance de la vérification du niveau d'huile du carter-moteur et de son maintien. Vérifiez l'huile avant chaque utilisation et changez-la au besoin tel qu'indiqué dans la section *Changement d'Huile*.

### TYPE D'HUILE RECOMMANDÉ

Il est extrêmement important d'utiliser les bons type et indice d'huile dans le carter-moteur. Vérifiez l'huile avant chaque utilisation et changez-la périodiquement. Le fait de ne pas utiliser la bonne huile ou d'utiliser une huile sale peut entraîner une usure et une défaillance prématurées du moteur. Utilisez une huile de haute qualité à indice SAE 30 API (American Petroleum Institute) de type SG, SF, SH.

### AJOUT D'HUILE AU CARTER: MISE EN SERVICE

**REMARQUE :** cet appareil est livré sans huile. Pour éviter d'endommager l'appareil, mettez de l'huile dans le carter moteur avant le démarrage.

Votre appareil est livré avec une bouteille d'huile SAE 30 SF, SG, SH de 90 ml (3,04 oz) (Fig. 4).

**REMARQUE :** conservez la bouteille pour mesurer correctement la quantité nécessaire d'huile plus tard (Fig. 9). Voir *Changement d'huile*.

1. Dévisser le bouchon de la bouteille d'huile et retirez le papier couvrant l'ouverture. Remplacez le bouchon. Coupez la pointe de la buse de l'entonnoir (Fig. 4).
2. Retirez le bouchon / la jauge d'huile du carter-moteur (Fig. 5).
3. Inclinez l'appareil vers le haut 30° (Fig. 11).
4. Versez tout le contenu de la bouteille d'huile dans le carter-moteur (Fig. 6).

**REMARQUE :** n'ajoutez jamais d'huile au essence ni au réservoir d'essence.

5. Essuyez toute trace d'huile déversée et remplacez le bouchon de remplissage / la jauge.

Nous ne saurions trop insister sur l'importance de la vérification du niveau d'huile du carter-moteur et de son maintien. Vérifiez l'huile avant chaque utilisation et changez l'huile à toutes les 25 heures d'utilisation. Changez-la au besoin tel qu'indiqué dans la section *Changement d'Huile*.

### VÉRIFICATION DU NIVEAU D'HUILE

Vérifier l'huile seulement lorsque le moteur est coupé et froid.

1. Placer l'appareil sur son pied sur une surface à niveau.
2. Retirer le bouchon de remplissage d'huile du carter-moteur (Fig. 10).
3. Regarder dans le trou de remplissage d'huile (Fig. 10). Si l'huile arrive jusqu'au premier trait, cela signifie que le réservoir d'huile est plein (Fig. 12). Sinon, rajouter de l'huile jusqu'à ce que celle-ci arrive au premier trait.

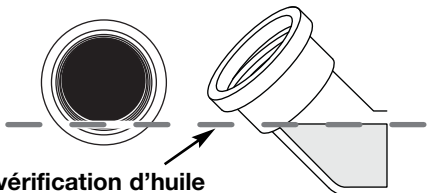


Fig. 12

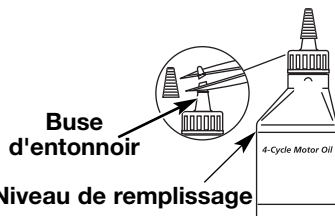


Fig. 9

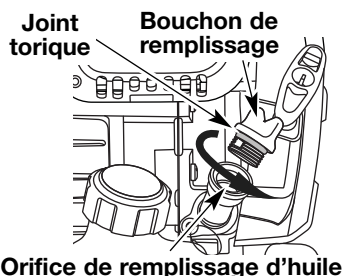


Fig. 10

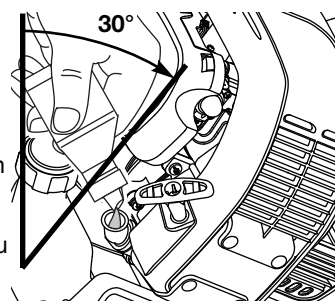


Fig. 11

### TYPE CARBURANT RECOMMANDÉ

En général, si l'appareil ne fonctionne pas correctement, c'est que l'essence est vieille. Prenez soin d'utiliser d'essence sans plomb frais et propre.

**REMARQUE :** ceci est un moteur à quatre temps. Pour éviter d'endommager l'appareil, **ne mélangez pas l'huile avec l'essence.**

### Définition des carburants mélangés

Les carburants d'aujourd'hui sont souvent un mélange d'essence et d'oxygénés comme l'éthanol, le méthanol ou l'éther MTBE. Un carburant mélangé à l'alcool absorbe l'eau. Il suffit de 1% d'eau pour séparer le carburant et l'huile, ce qui forme de l'acide pendant l'entreposage. Si vous devez utiliser ce type de carburant, servez-vous de carburant frais (moins de 60 jours).

### Usage de carburants mélangés

Si vous choisissez d'utiliser ou ne pouvez éviter d'utiliser un carburant mélangé, suivez les conseils suivants :

- Utilisez toujours un essence frais selon le manuel de l'utilisateur.
- Utilisez l'additif STA-BILMD ou un produit équivalent.
- Videz le réservoir et faites marcher le moteur jusqu'à ce qu'il soit à sec avant d'entreposer l'appareil.



**AVERTISSEMENT :** Ajoutez d'essence dans un lieu propre et bien aéré en plein air. Essayez immédiatement tout déversement d'essence. Évitez de mettre le feu au essence déversé. Ne démarrez pas le moteur avant dissipation des vapeurs d'essence.



**AVERTISSEMENT :** L'essence est extrêmement inflammable et les vapeurs qui s'en dégagent peuvent exploser si on y met le feu. Arrêtez toujours le moteur et laissez-le refroidir avant de remplir le réservoir. Ne fumez pas en remplissant le réservoir. Éloignez toute source d'étincelles ou de flammes vives de la zone.

### Utilisation d'additifs de carburant

L'utilisation d'additifs de carburant tel que le stabilisant d'essence STA-BIL<sup>MD</sup> ou un produit équivalent permet d'empêcher la corrosion et de minimiser la formation de résidus de gomme. L'usage d'additifs peut empêcher le carburant de former des dépôts nocifs dans le carburateur pendant six (6) mois maximum. Ajoutez 23 ml (0,8 oz) d'additif par 4 litres (1 gallon) de carburant selon les instructions du récipient. N'ajoutez JAMAIS d'additifs directement dans le réservoir de l'appareil.



**AVERTISSEMENT :** Enlevez le bouchon du réservoir lentement pour ne pas être blessé par les jets d'essence. Ne faites pas marcher l'appareil sans que le bouchon soit bien mis.

### AJOUR DE CARBURANT

1. Déposez le bouchon à essence.
2. Placez le bec du récipient d'essence dans l'orifice du réservoir et remplissez celui-ci (Fig. 13).

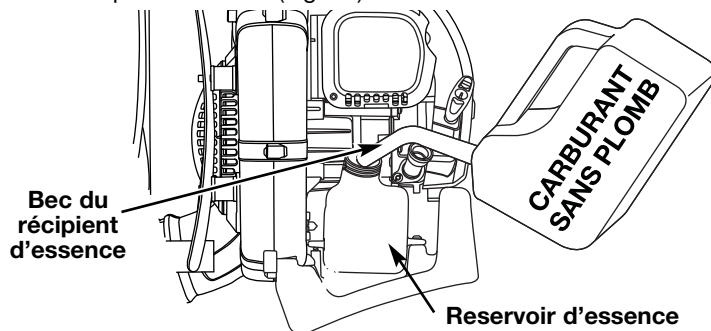


Fig. 13

**REMARQUE :** Ne remplissez pas trop le réservoir.

3. Essuyez tout déversement d'essence.
4. Remettez le bouchon du réservoir.
5. Éloignez l'appareil d'au moins 9,1 m (30 pi) de la source et du site de ravitaillement en essence avant de démarrer le moteur.

**REMARQUE :** Éliminez le vieux essence conformément aux règlements fédéral, provincial et municipal en vigueur.

## INSTRUCTIONS DE DÉMARRAGE ET ARRÊT



**AVERTISSEMENT :** n'utiliser l'outil qu'à l'extérieur, dans un endroit bien aéré. Les émanations d'oxyde de carbone dans un endroit confiné peuvent être mortelles.



**AVERTISSEMENT :** éviter le démarrage accidentel. Se tenir en position de démarrage pour lancer le moteur (Fig. 16). Lors du démarrage, l'opérateur et l'outil doivent être en position d'équilibre afin d'éviter le risque de blessures graves. Afin d'éviter de graves blessures et éviter d'endommager l'appareil, s'assurer que les tubes de soufflage sont bien en place avant d'utiliser l'appareil.

### CONSIGNES POUR LE DEMARRAGE

1. Vérifier le niveau d'huile dans le carter-moteur. Consulter la section « Vérifier le niveau d'huile ».
2. Remplir le réservoir d'essence avec du carburant propre et sans plomb. Consulter la section Faire le plein de l'appareil.
3. Appuyer sur la pompe d'amorce dix fois de suite. Une certaine quantité de **carburant devrait être visible dans l'amorce et des tuyaux de carburant** (Fig. 14). Si vous ne voyez pas de carburant dans la pompe, appuyez dessus autant de fois de suite que nécessaire jusqu'à ce que vous en voyiez arriver dans l'amorce.
4. Mettre le levier d'étranglement en **position 1** (Fig. 14).

**REMARQUE: L'appareil devrait être démarré au ralenti. Ne pas appuyer sur la manette pendant le démarrage** (Fig. 15).

5. S'accroupir dans la position de démarrage et tirer le cordon du démarreur de 10 cm, puis tirer 4 fois rapidement sur le cordon dans un mouvement homogène (Fig. 16).
- Si...** le moteur ne démarre pas, mettre le levier d'étranglement en **position 2** et tirer 4 fois rapidement sur le cordon dans un mouvement homogène.
6. Mettre le levier d'étranglement en **position 2** (Fig. 16) et laisser tourner le moteur de 5 à 10 secondes.
  7. Mettre le levier d'étranglement en **position 3** (Fig. 16). L'appareil est prêt à être utilisé.

**Si...** le moteur ne démarre pas, retourner à l'étape 3-7.

**DÉMARRAGE À CHAUD:** Si le moteur est déjà chaud, mettre le levier de l'étrangleur en **position 3** et tirer sur le cordon pour redémarrer. **L'appareil devrait être démarré au ralenti. Ne pas appuyer sur la manette pendant le démarrage** (Fig. 15).

### CONSIGNES POUR ARRETER L'APPAREIL

1. Relâcher la gâchette et laisser le moteur refroidir en le faisant tourner au ralenti.
2. Appuyer et maintenir la commande Marche/Arrêt enfoncée en position ARRÊT (O) jusqu'à ce que le moteur soit complètement arrêté (Fig. 15).

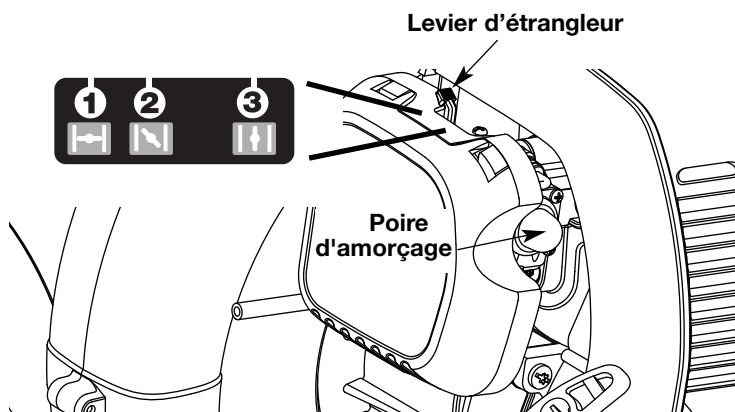


Fig. 14

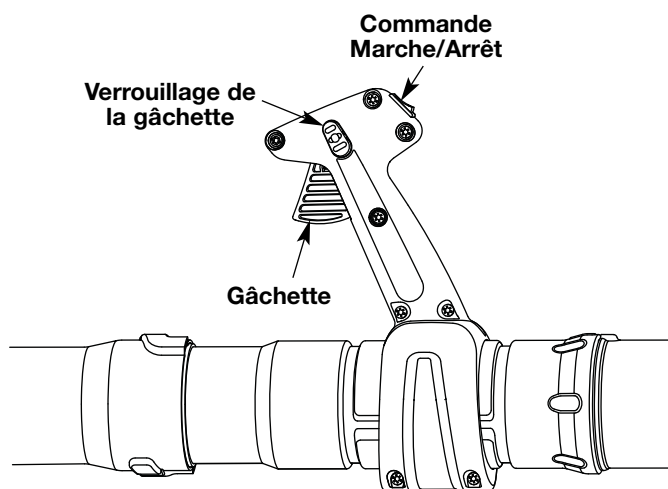


Fig. 15

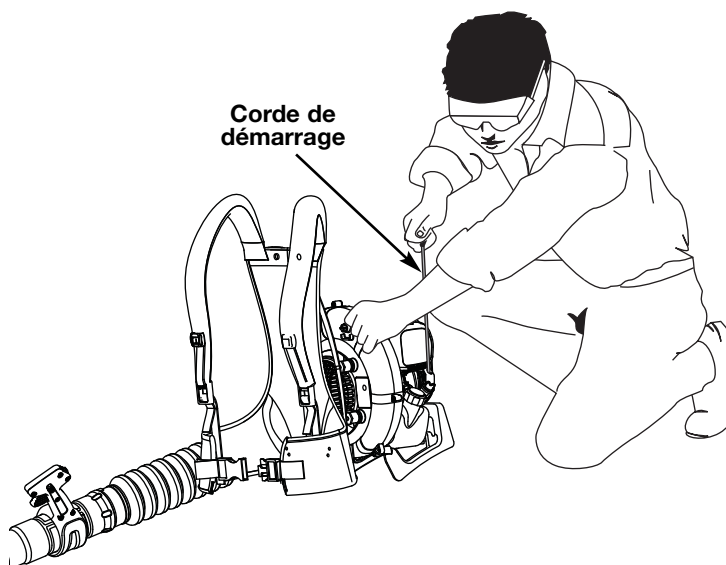


Fig. 16

**AJUSTER LE SYSTEME DE SUPPORT**

1. Placer les supports d'épaules de l'appareil sur les épaules et l'appareil sur le dos.
2. Fermer le support de taille du système de support en cliquant les deux attaches (Fig. 17, A).

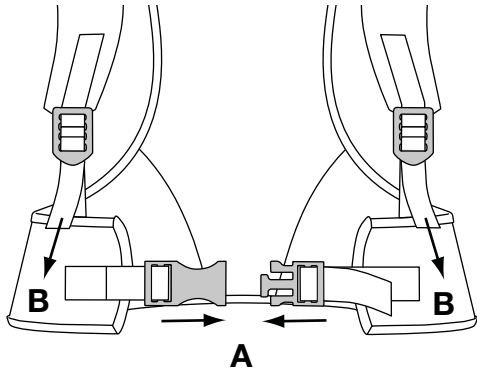


Fig. 17

**REMARQUE:** Assurez-vous que le poids de l'appareil repose sur les hanches par le support de taille du système de support (Fig. 18, A).

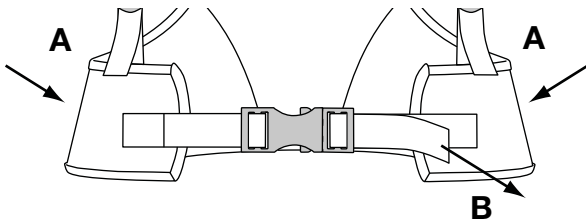


Fig. 18

3. Si le poids ne repose pas sur les hanches, relâchez les supports d'épaules (Fig. 19, A) et tirez sur le support de taille (Fig. 18, B). Ajustez jusqu'à ce que le poids de l'unité repose sur les hanches.

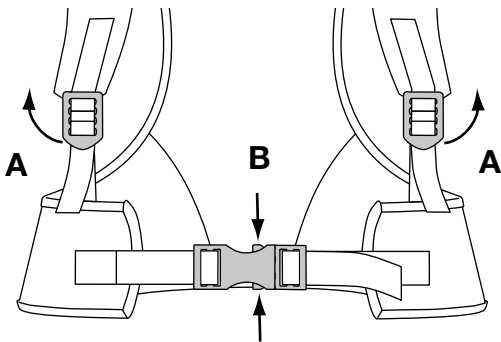


Fig. 19

4. Tirez sur les poignées du support d'épaules pour les resserrer (Fig. 17, B).

**Enlever le système de support**

1. Pour libérer les supports d'épaules, tirez sur la languette inférieure des boucles des supports d'épaules (Fig. 19, A).
2. Appuyez sur le haut et le bas des attaches du support de taille du système de support pour le relâcher (Fig. 19, B).

**TENUE DE LA SOUFFLEUSE/ASPIRATEUR**

	<p><b>AVERTISSEMENT :</b> Pour éviter les risques de blessures, toujours porter des lunettes de sécurité lors de l'utilisation de cet outil. Porter un masque respiratoire dans les endroits poussiéreux.</p>
--	---

Avant d'utiliser l'outil, se tenir en position de travail et effectuer les vérifications suivantes (Fig. 20) :

- L'utilisateur doit porter une tenue appropriée, c'est-à-dire des chaussures de travail, des lunettes de sécurité, une protection auditive,



Fig. 20

- des gants, des pantalons longs et une chemise à manches longues.
- Si l'endroit est poussiéreux, porter un masque anti-poussière.
- S'assurer que l'outil est en bon état de marche.
- Vérifier que les tubes sont en place et bien assujettis.

**CONSEILS PRATIQUES**

	<p><b>AVERTISSEMENT :</b> Afin d'éviter de graves blessures et éviter d'endommager l'appareil, s'assurer que les tubes de soufflage sont bien en place avant d'utiliser l'appareil.</p>
--	---

- Lors du démarrage, veiller à ne pas diriger l'outil vers des personnes ou des débris.
- S'assurer que l'outil est en bon état de marche. Vérifier que les tubes et protection sont en place et bien assujettis.
- Lorsque la souffleuse est utilisée à hauteur des hanches ou dans une position inhabituelle, il est recommandé de la tenir à deux mains.
- Utiliser une protection auditive pour éviter les risques de perte de l'ouïe causée par un niveau de bruit élevé.
- N'utiliser l'outil qu'à des heures raisonnables, c'est-à-dire pas trop tôt le matin ou tard le soir lorsque cela peut déranger les personnes vivant aux environs. Se conformer aux réglementations locales qui sont habituellement de 9 à 17 heures, du lundi au samedi.
- Pour réduire le niveau sonore, utiliser le moins possible d'outils motorisés en même temps.
- Pour réduire le niveau sonore utiliser la souffleuse au régime minimum permettant de s'acquitter de la tâche.
- Vérifier l'équipement avant de commencer le travail, en particulier le silencieux, l'admission d'air et les filtres à air.
- Utiliser un râteau ou un balai pour séparer les débris avant de les souffler.
- Dans les endroits poussiéreux, humecter légèrement l'aire de travail ou utiliser un accessoire de pulvérisation si une source d'eau est disponible.
- Conserver l'eau en utilisant la souffleuse au lieu d'un tuyau d'arrosage pour le nettoyage des endroits tels que les gouttières, moustiquaires, patios, grills, porches et jardins.
- Prendre garde aux enfants, animaux domestiques, fenêtres ouvertes et véhicules fraîchement lavés, et souffler les débris à l'opposé de tels obstacles.
- Utiliser la tubulure complète afin que l'embout reste près du sol.
- Après utilisation d'une souffleuse ou d'autres outils motorisés, Nettoyer la zone de travail. Jeter les débris dans des poubelles.
- Utilisez le verrouillage de la manette (Fig. 15) pour maintenir cette dernière enfoncée pour en faciliter l'opération continue.

**UTILISATION DE LA SOUFFLEUSE**

1. Utiliser la souffleuse pour le déblayage des arbres, buissons, massifs de fleurs et autres endroits difficiles à nettoyer.
2. Utiliser l'outil pour le nettoyage des bâtiments et autres applications normales.
3. Utiliser la souffleuse pour le nettoyage des murs, surplombs, palissades et moustiquaires.



**AVERTISSEMENT :** Afin d'éviter les blessures graves, n'effectuez jamais de réparation ou n'entretenez jamais l'appareil lorsqu'il est en fonctionnement. Les réparations et l'entretien doivent toujours être effectués lorsque l'appareil est froid. Déconnectez le fil de la bougie pour vous assurer que l'appareil ne se mette pas en marche. Voir *Remplacement de la Bougie*.

### CALENDRIER D'ENTRETIEN

Effectuez les étapes d'entretien obligatoires en suivant le tableau d'entretien. Ces procédures devraient avoir lieu en début de saison.

**REMARQUE :** Certaines procédures d'entretien peuvent nécessiter des outils ou compétences spécifiques. Si vous n'êtes pas certain d'être capable d'effectuer ces procédures, emmenez l'appareil dans un magasin Troy-Bilt ou chez un concessionnaire agréé.

**REMARQUE :** L'entretien, le remplacement, ou la réparation des dispositifs et systèmes de commande peuvent être effectués dans un magasin Troy-Bilt ou chez un concessionnaire agréé.

Afin d'assurer la performance optimale de votre moteur, l'inspection du système d'échappement du moteur peut s'avérer nécessaire après 50 heures d'utilisation. Si vous observez une baisse de régime du moteur, une baisse de performance ou une accélération moins prononcée, de telles mesures peuvent s'avérer nécessaires. Si vous pensez que le moteur a besoin d'être inspecté, emmenez votre appareil à réparer dans un magasin Troy-Bilt ou chez un concessionnaire agréé. **NE PAS** essayer d'effectuer ces procédures vous-même car une panne de moteur peut être due à des agents contaminants liés au nettoyage de la voie d'échappement.

FRÉQUENCE	ENTRETIEN REQUIS	RÉF
Avant utilisation	Remplissez le réservoir de carburant frais Vérifiez l'huile avant chaque utilisation	p F8 p F8
Toutes les 25 heures	Changez l'huile Nettoyez le filtre à air et lubrifiez-le nouveau Vérifier l'espacement culbuteur de soupape et l'ajuster Vérifier l'état de la bougie ainsi que l'espacement de cette dernière	p F11 p F11 p F12 p F13
Toutes les 50 heures	Nettoyez le pare-étincelles	p F13

### CHANGEMENT D'HUILE

Si le moteur est neuf, changez l'huile à toutes les 25 heures d'utilisation. Mieux vaut changer l'huile lorsque le moteur est encore chaud. Cela lui permet de s'écouler librement et d'emporter les impuretés.



**AVERTISSEMENT :** Porter des gants lorsque l'appareil est utilisé afin d'éviter des blessures.

- Retirez le bouchon de remplissage / jauge d'huile.
- Versez l'huile de l'orifice de remplissage dans un récipient en inclinant l'appareil à la verticale (Fig. 21). Allouez assez de temps pour une vidange complète.
- Essuyez les résidus d'huile et nettoyez toute trace d'huile déversée. Éliminez l'huile selon les Règlements fédéral, provincial et municipal en vigueur.
- Inclinez l'appareil vers le haut 30° (Fig. 22).
- Remplissez de nouveau le carter moteur de 100 ml (3,4 oz) d'huile SAE 30 SF, SG, SH.

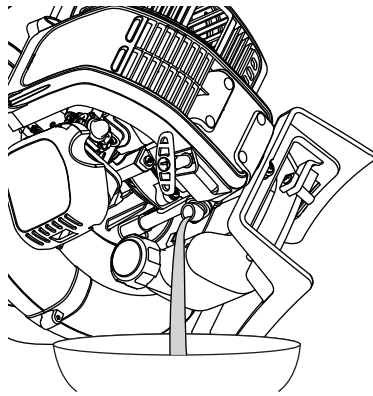


Fig. 21

- REMARQUE :** Mesurez la quantité nécessaire à l'aide de la bouteille et de la buse utilisées lors de la mise en service. 90 ml (3,04 oz) correspond environ au haut de l'étiquette de la bouteille (Fig. 22). Vérifiez le niveau d'huile avec la jauge. S'il est trop bas, ajoutez un peu d'huile par l'orifice et revérifiez (Fig. 22). Ne remplissez pas trop.
- Remplacez le bouchon de remplissage / jauge d'huile.



**AVERTISSEMENT :** Pour éviter des blessures graves, éteignez toujours l'appareil et laissez-le refroidir avant tout nettoyage ou entretien.

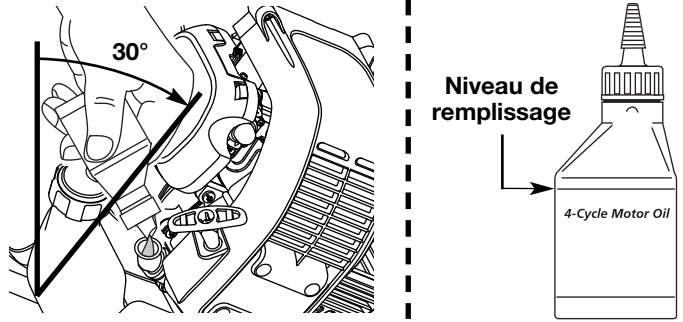


Fig. 22

### ENTRETIEN DU FILTRE À AIR

#### Nettoyage du filtre à air

Nettoyez et relubrifiez le filtre à air à toutes les 25 heures de fonctionnement. Son entretien est très important. Si vous ne le faites pas, cela **ANNULERA** la garantie.

- Ouvrez le couvercle du filtre à air. Enfoncez la languette située à gauche du couvercle, tirez celui-ci vers vous pour le dégager du boîtier du filtre à air (Fig. 23).

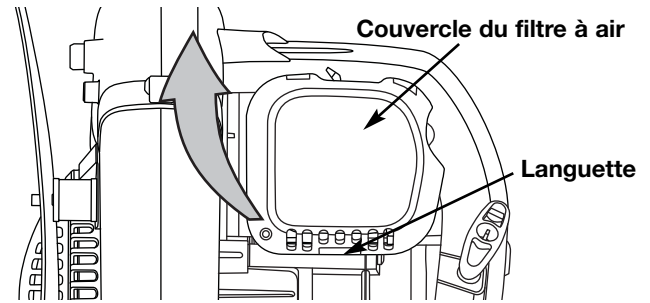


Fig. 23

- Retirez le filtre à air et l'écran derrière lui (Fig. 24).

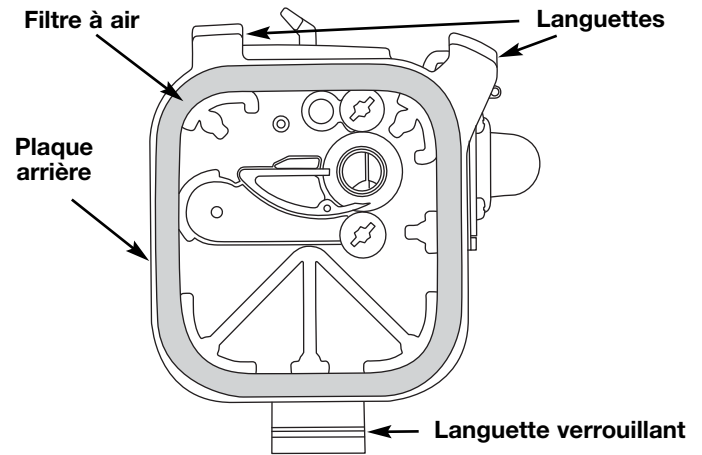


Fig. 24

- Lavez le filtre dans un mélange d'eau et de détergent (Fig. 25). Rincez le filtre abondamment et laissez-le sécher.
- Appliquez une quantité suffisante d'huile moteur propre SAE 30 pour enduire légèrement le filtre (Fig. 26).
- Pressez le filtre pour répartir et drainer l'excédent d'huile (Fig. 27).
- Remplacez le filtre et l'écran (Fig. 24).

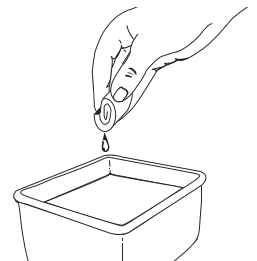


Fig. 25

**NOTE:** Si vous faites fonctionner

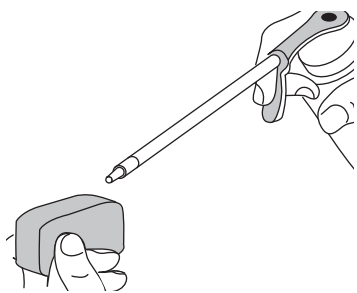


Fig. 26

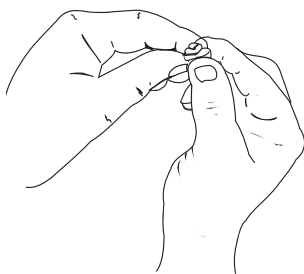


Fig. 27

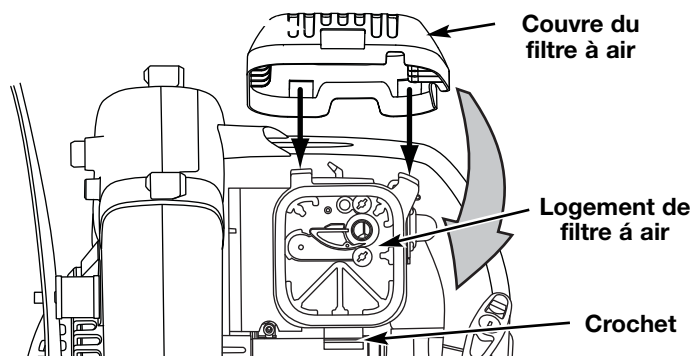


Fig. 28

l'appareil sans filtre à air, vous **ANNULEREZ** la garantie.

- Réplacez le couvercle du filtre à air. Placez les crochets à gauche du filtre à air dans les fentes situées à gauche du boîtier du filtre à air (Figs. 24 et 28).
- Pivotez le couvercle vers la droite jusqu'à ce que la languette du couvercle du filtre s'enfonce d'un déclic dans la fente sur le côté droit du boîtier du filtre (Fig. 28).

### RÉGLAGE DU CARBURATEUR

La vitesse de ralenti du moteur est réglable à l'aide d'une vis de réglage accessible par un trou situé sur le dessus du couvercle du moteur (Fig. 29).

**REMARQUE :** Un réglage négligé peut sérieusement endommager l'appareil. Confiez les réglages de carburateur à un concessionnaire agréé.

### Vérification du carburant

En général, si l'appareil ne fonctionne pas correctement, c'est que le carburant est vieux. Videz puis remplissez le réservoir de carburant sans plomb frais et propre avant d'effectuer des réglages. Voir *Informations sur l'huile et le carburant*.

### Réglage de la vis de réglage de ralenti

Si le moteur ne se met toujours pas au ralenti après vérification du carburant et nettoyage du filtre à air, réglez la vis de ralenti comme suit :

- Démarrez le moteur et laissez-le tourner à haut régime pendant une minute pour se réchauffer.
- Laissez le moteur tourner au ralenti. Si le moteur s'arrête, insérez un petit tournevis à embout cruciforme ou à tête plate dans le trou du couvercle du moteur (Fig. 29).

La vérification de carburant, le nettoyage du filtre à air et le réglage de la vis de ralenti devraient résoudre la plupart des problèmes de moteur. Dans le cas contraire et si :

- le moteur ne se met pas au ralenti
- le moteur hésite ou cale lors d'une accélération
- le moteur perd de sa puissance

Faites régler le carburateur par un distributeur agréé.

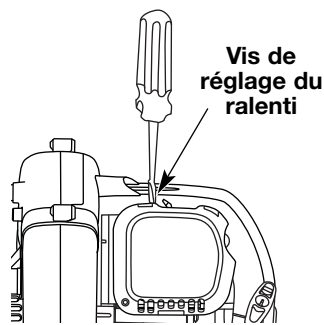


Fig. 29

### JEU ENTRE SOUPAPE ET CULBUTEUR

Ceci nécessite de démonter le moteur. Si vous ne vous sentez pas à l'aise de le faire, confiez l'appareil à un centre de service agréé.

**REMARQUE :** Inspectez le jeu entre soupape et culbuteur à l'aide d'une jauge d'épaisseur après les 25 premières heures de fonctionnement, puis par intervalle de 25 heures par la suite.

- Attendez que le moteur soit froid avant de vérifier ou de régler le jeu de la soupape.
  - Faites-le à l'intérieur, dans un endroit propre et sans poussière.
- Enlevez les huit (8) vis du haut du couvercle du moteur à l'aide d'un tournevis à lame plate ou T-25 Torx (Fig. 30).

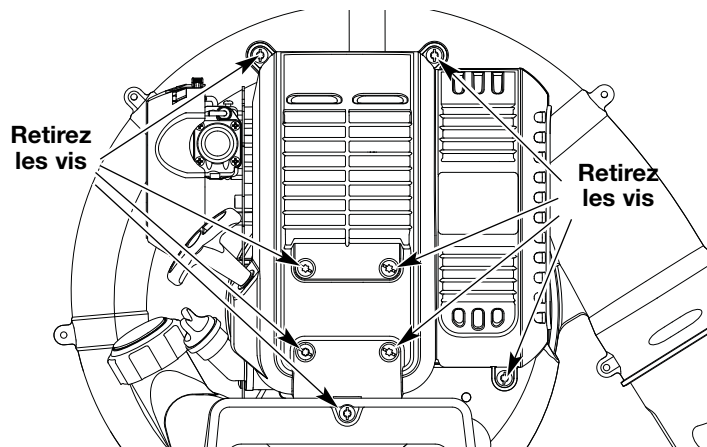


Fig. 30

- Déconnectez le câble de la bougie.
- Nettoyez toute saleté de la bougie. Retirez la bougie de la culasse en tournant la douille de 5/8 po à gauche.
- Déposez le couvercle du moteur Fig. 30).

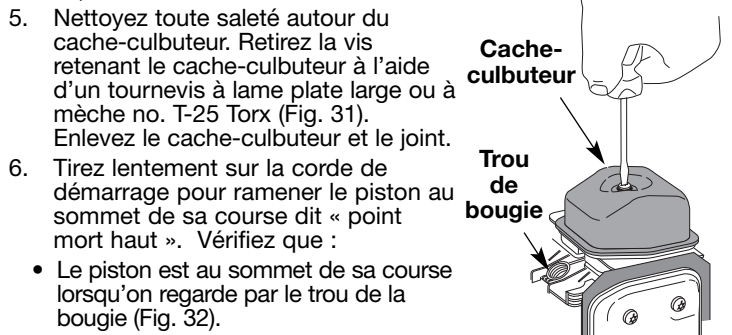


Fig. 31

- Nettoyez toute saleté autour du cache-culbuteur. Retirez la vis retenant le cache-culbuteur à l'aide d'un tournevis à lame plate large ou à mèche no. T-25 Torx (Fig. 31). Enlevez le cache-culbuteur et le joint.
- Tirez lentement sur la corde de démarrage pour ramener le piston au sommet de sa course dit « point mort haut ». Vérifiez que :
  - Le piston est au sommet de sa course lorsqu'on regarde par le trou de la bougie (Fig. 32).
  - Les deux culbuteurs se déplacent librement et les deux soupapes sont fermées

Si ce n'est pas le cas, répétez la procédure.

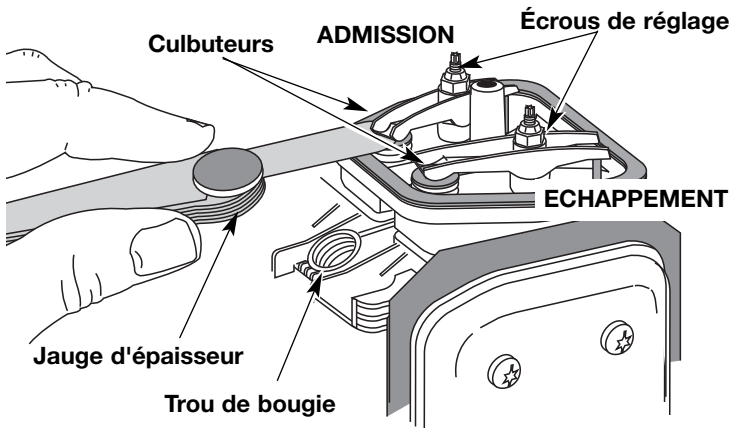


Fig. 32

7. Glissez la jauge d'épaisseur entre le culbuteur et le ressort de rappel de la soupape. Mesurez le jeu entre la tige de soupape et le culbuteur (Fig. 32). Faites-le pour les soupapes d'admission et d'échappement.

L'écart de jeu recommandé pour l'admission et l'échappement est de 0,076 – 0,152 mm (0,003 – 0,006 po). Servez-vous d'une jauge d'épaisseur d'automobile standard de 0,127 et 0,381 mm (0,005 et 0,015 po). La jauge d'épaisseur devrait pouvoir glisser entre le culbuteur et la tige de soupape en rencontrant une faible résistance mais sans coller (Fig. 32 & 33).

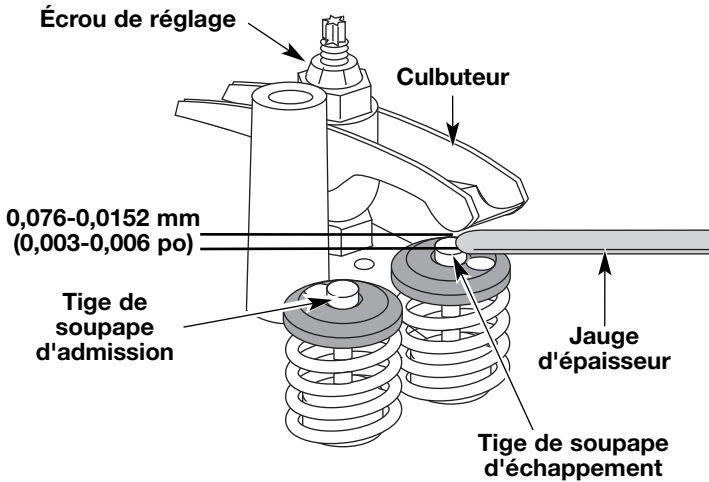


Fig. 33

8. Si le jeu n'est pas conforme:
- Tournez l'écrou de réglage à l'aide d'une clé de 8 mm (5/16 po) ou d'un tournevis à embout hexagonal (Fig. 33).
    - Pour augmenter le jeu, tournez l'écrou de réglage vers la gauche.
    - Pour réduire le jeu, tournez l'écrou de réglage vers la droite.
  - Revérifiez les deux jeux de soupape et réglez-les au besoin.
9. Remplacez le cache-culbuteur en mettant un joint neuf. Serrez la vis avec un couple de serrage de 2,2–3,4 N•m (12 po•lb).
10. Remplacez le couvercle du moteur. Vérifiez l'alignement du couvercle avant de serrer les vis. Vissez bien.
11. Vérifiez l'état de la bougie et remplacez-la. Voir *Remplacement de la bougie*.
12. Remplacez le câble de la bougie.

### REPLACEMENT DE LA BOUGIE



**MISE EN GARDE :** évitez de sabler, gratter ou nettoyer les électrodes car de la saleté dans le moteur pourrait endommager le cylindre.

Utilisez une bougie 180852. L'écartement correct est de 0,635 mm (0,025 po). Retirez la bougie après 25 heures de fonctionnement et vérifiez son état.

- Arrêtez le moteur et laissez-le refroidir. Enlevez les huit (8) vis du haut du couvercle du moteur à l'aide d'un tournevis à lame plate ou T-25 Torx (Fig. 30).
- Déconnectez le câble de la bougie.
- Nettoyez toute saleté de la bougie. Retirez la bougie de la culasse en tournant la douille de 5/8 po à gauche.
- Remplacez toute bougie fendillée, encrassée ou sale. Réglez l'écartement à 0,635 mm (0,025 po) à l'aide d'une jauge d'épaisseur (Fig. 34).
- Installez la bougie ajustée dans la culasse. Tournez la douille de 5/8 po à droite jusqu'à bien la visser.

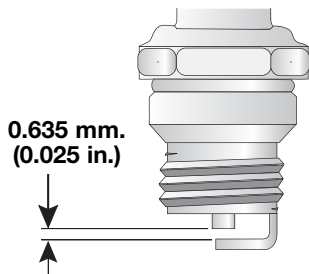


Fig. 34

Si vous utilisez une clé dynamométrique, vissez selon les valeurs suivantes : **12,3-13,5 Nom (110-120 poolb).**

**Évitez de trop serrer.**

### ENTRETIEN DU PARE-ÉTINCELLES

Inspectez le pare-étincelles après toutes les 50 heures d'opération.

- Retirez le couvercle du silencieux. Voir Jeu entre soupape et culbuteur.
- Retirez la 4 vis retenant le couvercle du pare-étincelles au silencieux à l'aide d'un tournevis à lame plate ou à mèche no. T-20 Torx (Fig. 35).

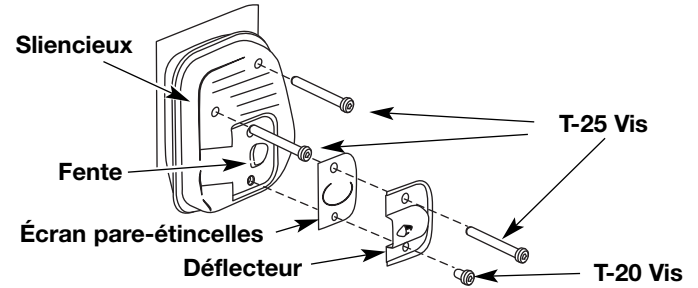


Fig. 35

- Retirez la languette du couvercle du pare-étincelles hors du silencieux. Retirez le couvercle du pare-étincelles.
- Retirez l'écran du pare-étincelles du couvercle de celui-ci.
- Nettoyez l'écran du pare-étincelles avec une brosse métallique ou remplacez-le.
- Remplacez l'écran, le couvercle et la vis du pare-étincelles.

### NETTOYAGE DE L'APPAREIL



**AVERTISSEMENT :** pour éviter des blessures graves, éteignez toujours le coupe-bordures et laissez-la refroidir avant tout nettoyage ou entretien.

Nettoyez les événements ou l'extérieur de l'appareil avec une petite brosse. N'employez pas de détergents concentrés ou de nettoyeurs à base de pétrole tel le kérosène. Certains nettoyeurs ménagers contenant des huiles aromatiques tel que le pin et le citron peuvent endommager les boîtiers ou poignées en plastique. Essuyez toute trace d'humidité à l'aide d'un tissu doux.

### ENTREPOSAGE

- Ne rangez jamais l'appareil plein de carburant dans un lieu où les vapeurs peuvent atteindre une flamme vive ou des étincelles.
- Laissez le moteur se refroidir avant de l'entreposer.
- Rangez l'appareil dans un lieu verrouillé pour éviter toute utilisation ou accident indésirable.
- Rangez l'appareil dans un lieu sec et bien aéré.
- Rangez l'appareil hors de la portée des enfants.

### ENTREPOSAGE DE LONGUE DURÉE

Si vous comptez entreposer l'appareil pendant une longue période,

- Videz toute l'essence du réservoir dans un récipient. N'utilisez pas d'essence stockée pendant plus de 60 jours. Éliminez le vieux carburant conformément aux règlements fédéral, provincial et municipal en vigueur.
- Démarez le moteur, puis laissez-le tourner jusqu'à ce qu'il cale. Cela permet de s'assurer que le carburateur s'est vidé de son carburant.
- Laissez le moteur refroidir. Retirez la bougie et versez environ 5 gouttes d'huile moteur de qualité dans le cylindre. Tirez lentement sur la corde de démarrage pour bien distribuer l'huile. Remplacez la bougie.

**REMARQUE:** Retirez la bougie et videz toute l'huile du cylindre avant de mettre en marche le coupe-bordures après une période d'entreposage.

- Changez l'huile. Voir Changement d'huile. Éliminez la vieille huile conformément aux règlements fédéral, provincial et municipal en vigueur.
- Nettoyez soigneusement l'appareil et vérifiez qu'il ne comporte pas de pièces desserrées ou endommagées. Réparez ou remplacez les pièces endommagées, puis serrez les vis, écrous et boulons desserrés. L'appareil est alors prêt pour l'entreposage.

### TRANSPORT

- Laissez le moteur refroidir avant le transport.
- Attachez bien l'appareil lors du transport.
- Videz tout le carburant du réservoir avant le transport.
- Serrez le bouchon du réservoir avant le transport.

## DÉPANNAGE

### LE MOTEUR REFUSE DE DÉMARRER

CAUSE	SOLUTION
Réservoir de carburant vide	Remplissez-le de carburant frais
La poire d'amorçage n'a pas été pressée assez fort	Pressez-la complètement et lentement de 10 fois
Carburant vieux	Drainez le réservoir/ajoutez du carburant frais
Bougie encrassée	Remplacez ou nettoyez-la
Pare-étincelles colmaté	Nettoyez ou remplacez le pare-étincelles

### LE MOTEUR REFUSE DE SE METTRE AU RALENTI

CAUSE	SOLUTION
Filtre à air bouché	Remplacez ou nettoyez-le
Carburant vieux	Drainez le réservoir/ajoutez du carburant frais
Mauvais réglage du carburateur	Ajustez selon l'instruction ou faites-le régler par un concessionnaire agréé

### LE MOTEUR REFUSE D'ACCÉLÉRER

CAUSE	SOLUTION
Carburant vieux	Drainez le réservoir/ajoutez du carburant frais
Mauvais réglage du carburateur	Ajustez selon l'instruction ou faites-le régler par un concessionnaire agréé
Filtre à air sale	Remplacez ou nettoyez-le
Pare-étincelles colmaté	Nettoyez ou remplacez le pare-étincelles

### LE MOTEUR MANQUE DE PUISSANCE OU SE CALE DURANT LA COUPE

CAUSE	SOLUTION
Carburant vieux	Drainez le réservoir/ajoutez du carburant frais
Mauvais réglage du carburateur	Ajustez selon l'instruction ou faites-le régler par un concessionnaire agréé
Bougie encrassée	Remplacez ou nettoyez-la
Pare-étincelles colmaté	Nettoyez ou remplacez le pare-étincelles

**Si vous avez besoin d'aide, contactez votre concessionnaire agréé.**



## CARACTÉRISTIQUES

### MOTEUR\*

Type de moteur	Refroidi par air, 4-temps
Cylindrée	29 cc (1,8 po <sup>3</sup> )
Régime de fonctionnement	5.500–6.500 tr/min
Régime ralenti	3.800–4.400 tr/min
Type d'allumage	Électronique
Contact d'allumage	Interrupteur berceau
Jeu de soupape d'admission et d'échappement	0,076-0,152 mm (0,003-0,006 po)
Écartement de la bougie	0,635 mm (0,025 po)
Lubrification	Huile SAE 30
Contenance en huile du carter moteur	90 ml (3,04 oz)
Carburant	.Sans plomb
Carburateur	Membrane, toutes positions
Démarrreur	Rembobinage automatique
Silencieux	Chicane avec protection
Accélérateur	Rappel par ressort
Capacité du réservoir de carburant	591 ml (20 oz)

\*Toutes les spécifications contenues dans ce manuel tiennent compte des dernières informations techniques disponibles au moment de mettre sous presse. Nous nous réservons le droit d'y apporter des modifications à tout moment, sans préavis.

## **Déclaration de garantie du contrôle des émissions EPA / Californie**

### **Vos droits et obligations au regard de la garantie**

La Commission des ressources en air de Californie, l'Agence de protection de l'environnement (EPA) et Troy-Bilt LLC (Troy-Bilt) ont le plaisir de définir la garantie du système de contrôle des émissions pour votre modèle de petit moteur hors-route pour l'année 2007 et suivantes. En Californie et dans les 49 États, les nouveaux petits moteurs hors-route doivent être conçus, construits et équipés pour respecter les normes anti-smog strictes de l'État. Troy-Bilt doit garantir le système de contrôle des émissions de votre petit moteur hors-route pour les périodes indiquées ci-dessous sous réserve qu'il n'y ait eu aucun abus, négligence ou maintenance inadéquate de votre petit moteur hors-route.

Votre système de contrôle d'émissions peut comporter des pièces telles que le carburateur ou un système d'injection, un système d'allumage, et un pot catalytique. Peuvent être également inclus des tuyaux flexibles, courroies, connecteurs et autres assemblages liés aux émissions.

Lorsqu'une défaillance relevant de la garantie survient, Troy-Bilt réparera votre petit moteur hors-route sans frais y compris pour le diagnostic, les pièces et la main d'œuvre.

Les petits moteurs hors-route de l'année 2007 et suivantes sont garantis pour deux ans. Si une pièce liée aux émissions de votre moteur est défectueuse, la pièce sera réparée ou remplacée par Troy-Bilt.

### **Responsabilités du propriétaire au regard de la garantie**

En tant que propriétaire du petit moteur hors-route, vous êtes responsable de la maintenance telle qu'indiquée dans votre manuel du propriétaire. Troy-Bilt vous conseille de conserver toutes les factures relatives à l'entretien de votre petit moteur hors-route mais Troy-Bilt ne peut refuser une garantie au seul motif de l'absence de factures ou de votre manquement à effectuer toutes les maintenances prévues.

En tant que propriétaire d'un petit moteur hors-route, vous devez cependant être informé(e) que Troy-Bilt peut refuser la couverture de garantie si votre petit moteur hors-route ou une pièce est défaillante en raison d'un abus, d'une négligence, d'une maintenance inadéquate ou de modifications non approuvées.

Il vous incombe de déposer votre petit moteur hors-route au Centre de services Troy-Bilt agréé dès que survient un problème. Les réparations en vertu de la garantie doivent être effectuées dans un délai raisonnable, ne pouvant excéder 30 jours.

Si vous avez des questions quant à vos droits et responsabilités au regard de la garantie, veuillez composer le **1-800-828-5500**.

### **Couverture de la garantie du fabricant**

- La période de garantie commence à la date à laquelle le moteur ou l'équipement est livré à l'acheteur.
- Le fabricant garantit au propriétaire initial ainsi qu'à tout acheteur ultérieur, pour une période de deux ans, que le moteur est exempt de défauts relatifs aux matériaux et à la fabrication qui pourraient causer la défaillance d'une pièce garantie.
- La réparation ou le remplacement de la pièce garantie sera effectué sans frais à la charge du propriétaire dans un Centre de services Troy-Bilt agréé. Pour trouver le centre le plus proche veuillez contacter Troy-Bilt au : **1-800-828-5500**.
- Toute pièce garantie, dont le remplacement n'est pas prévu au titre de la maintenance exigée ou pour laquelle il est seulement prévu une inspection régulière aux fins de « réparer ou remplacer si nécessaire », bénéficie de la période de garantie. Toute pièce garantie dont le remplacement est prévu au titre de la maintenance exigée sera garantie pour la période courante jusqu'à la première date de remplacement prévue pour cette pièce.
- Le propriétaire ne sera pas facturé pour le diagnostic conduisant à la conclusion qu'une pièce garantie est défectueuse, si le travail de diagnostic est effectué dans un Centre de services Troy-Bilt agréé.
- Le fabricant est responsable des dommages à d'autres composants du moteur causés par la défaillance d'une pièce garantie bénéficiant encore de la garantie.
- Les défaillances résultant d'un abus, d'une négligence ou d'une maintenance inadéquate ne sont pas couvertes par la garantie.
- L'utilisation de pièces ajoutées ou modifiées peut aboutir au refus d'une demande de garantie. Le fabricant n'est pas tenu de garantir les défaillances des pièces garanties causées par l'utilisation de pièces ajoutées ou modifiées.
- Afin de déposer une demande, rendez-vous au Centre de services Troy-Bilt agréé le plus proche. Des services ou réparations au titre d'une garantie seront fournis dans tous les Centres de services Troy-Bilt agréés.
- Toute pièce de remplacement approuvée par le fabricant peut être utilisée pour la maintenance ou la réparation au titre de la garantie des pièces relatives aux émissions et sera fournie sans frais au propriétaire. Toute pièce de remplacement équivalente en performance ou durabilité peut être utilisée dans le cadre d'une maintenance ou réparation hors garantie et ne réduira pas les obligations de garantie du fabricant.

### **Listes de pièces soumises à la garantie d'émission**

Les composants suivants sont compris dans la garantie relative aux émissions du moteur, filtre à air, carburateur, amorceur, conduits d'essence, capteur de carburant/filtre à carburant, module d'allumage, bougie d'allumage et pot d'échappement.

## Déclaration de garantie du contrôle des émissions par évaporation de la Californie

### Vos droits et obligations en vertu de la garantie

La Commission des ressources en air de Californie et Troy-Bilt LLC (Troy-Bilt) ont le plaisir de définir la garantie du système de contrôle des émissions par évaporation pour votre modèle de petit moteur hors-route (type pour équipement) pour l'année 2007 et suivantes. En Californie, de nouveaux équipements utilisant des petits moteurs hors-route doivent être conçus, construits, et équipés pour satisfaire aux normes anti-smog strictes de l'État. Troy-Bilt doit garantir le système de contrôle des émissions par évaporation de votre petit moteur hors-route d'appareil de jardinage pour la période indiquée ci-dessous sous réserve qu'il n'y ait eu aucun abus, négligence ou maintenance inadéquate de votre équipement.

Votre système de contrôle des émissions par évaporation peut comprendre des pièces telles que : carburateurs, réservoirs de carburant, conduits d'essence, bouchons de réservoir, valves, absorbeurs de vapeurs, filtres, tuyaux à vapeur, pinces, connecteurs, et autres composants associés. Pour les moteurs inférieurs ou égaux à 80 cc, seul le réservoir est soumis aux exigences de la garantie de contrôle des émissions par évaporation de cette section. La cylindrée de votre petit moteur hors-route est inférieure à 80 cc.

### Couverture de la garantie du fabricant

Le système de contrôle des émissions d'évaporation est garanti pendant deux ans. Si une pièce de votre équipement relative à l'émission est défectueuse, la pièce sera réparée ou remplacée par Troy-Bilt.

### Responsabilités du propriétaire au regard de la garantie

- En tant que propriétaire du petit moteur hors-route de votre appareil de jardinage, vous êtes responsable de la maintenance exigée telle qu'indiquée dans votre manuel du propriétaire. Troy-Bilt vous conseille de conserver toutes les factures relatives à la maintenance de votre moteur d'appareil de jardinage mais Troy-Bilt ne peut refuser une garantie au seul motif de l'absence de factures.
- En tant que propriétaire du petit moteur hors-route de votre appareil de jardinage, vous devez cependant être informé(e) que Troy-Bilt peut refuser d'honorer la garantie si votre réservoir de carburant est défectueux en raison d'un abus, d'une négligence, d'une maintenance inadéquate ou de modifications non approuvées.
- Il vous incombe de déposer le réservoir de carburant de votre appareil de jardinage auprès du centre de distribution ou du centre de services de Troy-Bilt dès que survient le problème. Les réparations en vertu de la garantie doivent être effectuées dans un délai raisonnable, ne pouvant excéder 30 jours. Si vous avez des questions quant à votre couverture de garantie, vous devez contacter Troy-Bilt au **1-800-828-5500**.

Conditions de la garantie pour les défauts

- (a) La période de garantie commence à la date à laquelle le moteur ou l'équipement est livré à l'acheteur final.
- (b) Couverture générale de garantie des émissions par évaporation. Le réservoir de carburant doit comporter la garantie pour l'acheteur final et tout propriétaire ultérieur, que le système de contrôle d'émissions d'évaporation, lorsqu'il a été installé était :
  - (1) Conçu, construit et équipé afin de se conformer à toutes les réglementations en vigueur ; et
  - (2) Exempt de défauts quant aux matériaux et à la fabrication causant la défaillance d'une pièce garantie et ce pour une période de deux ans.
- (c) La garantie sur les pièces relatives aux émissions par évaporation sera interprétée comme suit :
  - (1) Toute pièce garantie dont le remplacement n'est pas prévu dans le cadre de la maintenance exigée dans les instructions écrites doit être garantie pour la période définie à la sous-section (b) (2). Si une pièce est défaillante pendant la période de couverture de garantie, elle doit être réparée ou remplacée par Troy-Bilt. Une telle pièce réparée ou remplacée en vertu de la garantie doit être garantie pour une période qui ne saurait être inférieure à la période restante de garantie.
  - (2) Toute pièce garantie pour laquelle les instructions écrites conseillent uniquement une inspection régulière doit être garantie pour la période définie à la sous-section (b) (2). Un énoncé dans lesdites instructions écrites aux fins de « réparer ou remplacer si nécessaire » ne réduira pas la période de garantie. Une telle pièce réparée ou remplacée en vertu de la garantie doit être garantie pour une période qui ne saurait être inférieure à la période restante de garantie.
  - (3) Toute pièce garantie dont le remplacement est prévu au titre de la maintenance exigée dans les instructions écrites doit être garantie pour la période antérieure à la première date de remplacement prévue pour cette pièce. Si la pièce est défaillante avant le premier remplacement prévu, la pièce doit être réparée ou remplacée par Troy-Bilt. Une telle pièce réparée ou remplacée en vertu de la garantie doit être garantie pour une durée qui ne saurait être inférieure à la période restante avant la première date prévue pour le remplacement de la pièce.
  - (4) La réparation ou le remplacement de toute pièce garantie en vertu des dispositions de garantie de cet article doit être effectuée sans frais pour le propriétaire dans un centre de réparations pour appareils sous garantie.
  - (5) Nonobstant les dispositions de la sous-section (4) ci-dessus, les services ou réparations sous garantie doivent être assurés aux centres de distribution qui sont franchisés pour réparer les moteurs ou l'équipement en question.
  - (6) Le propriétaire ne doit pas être facturé pour le travail de diagnostic conduisant à la conclusion qu'une pièce garantie est en fait défectueuse, sous réserve qu'un tel travail de diagnostic soit effectué dans un centre de réparations pour appareils sous garantie.
  - (7) Au cours de la période de garantie du système de contrôle des émissions par évaporation indiquée dans la sous-section (b) (2), Troy-Bilt doit maintenir un stock suffisant de pièces garanties afin de répondre à la demande prévue pour de telles pièces.
  - (8) Les pièces de remplacement approuvées par le fabricant doivent être utilisées pour les maintenances ou les réparations pendant la période de garantie et doivent être fournies sans frais au propriétaire. Une telle utilisation ne réduira pas les obligations de garantie du fabricant accordant la garantie.
  - (9) L'utilisation de toutes pièces ajoutées ou modifiées entraînera le rejet d'une demande de garantie en accord avec le présent article. En vertu du présent article, le fabricant accordant la garantie ne sera pas tenu responsable de garantir les défaillances causées par l'utilisation d'une pièce ajoutée ou modifiée.
  - (10) Troy-Bilt fournira tous documents décrivant les procédures ou politiques de garantie dans un délai de cinq jours ouvrés à compter de la demande par la Commission des ressources en air.

### Listes de pièces soumises à la garantie d'émission

- (1) Réservoir de carburant

Des instructions écrites pour la maintenance et l'utilisation du système de contrôle des émissions par évaporation seront fournies au propriétaire avec chaque nouveau moteur ou équipement.

## GARANTIE LIMITÉE DU FABRICANT POUR:



La garantie limitée énoncée ci-après est accordée par Troy-Bilt LLC (Troy-Bilt) et concerne les marchandises neuves achetées et utilisées aux États-Unis, ses possessions et territoires.

Troy-Bilt garantit ce produit contre tout vice de matière ou de façon pendant une période de deux (2) ans à compter de la date d'achat initiale et elle se réserve le choix de réparer ou de remplacer, à titre gratuit, toute pièce présentant un vice de matière ou de façon. Cette garantie limitée ne s'appliquera que dans la mesure où le produit aura été utilisé et entretenu conformément au Manuel de l'utilisateur fourni avec le produit et n'aura pas fait l'objet d'un usage inadéquat, abusif, commercial ou négligent, d'un accident, d'un entretien inadéquat, d'une modification, de vandalisme, d'un vol, d'un incendie, de dégâts d'eau ou d'un endommagement résultant d'un autre péril ou d'un désastre naturel. Les dommages résultants de l'installation ou de l'utilisation de tout accessoire ou équipement non approuvé par Troy-Bilt pour une utilisation avec le(s) produit(s) couvert(s) par le présent manuel annuleront la garantie en ce qui concerne les dommages qui en résulteraient éventuellement. La présente garantie est limitée à quatre-vingt-dix (90) jours à compter de la date d'achat au détail initiale pour tout produit Troy-Bilt utilisé à des fins locatives ou commerciales, ou toute utilisation produisant des revenus.

**POUR L'OBTENTION DU SERVICE DE GARANTIE :** le service au titre de la garantie est disponible, SUR PRÉSENTATION D'UNE PREUVE D'ACHAT, AUPRÈS DU DISTRIBUTEUR AGRÉÉ LOCAL. Pour trouver un distributeur dans votre région, visitez notre site Web [www.troybilt.com](http://www.troybilt.com), consultez les Pages Jaunes, appelez le **1-800-828-5500** aux États-Unis ou le **1-800-668-1238** au Canada, ou écrivez à l'adresse Troy-Bilt LLC, PO Box 361131, Cleveland, OH 44136-0019.

**La garantie limitée n'offre aucune couverture dans les cas suivants :**

- A. Mises au point : bougies, réglages de carburateur, filtres
- B. Éléments pouvant s'user : boutons de butée, bobines extérieures, fil de coupe, moulins intérieurs, poulie du démarreur, cordons de démarrage, courroies d'entraînement
- C. Troy-Bilt n'accorde aucune garantie pour les produits vendus ou exportés des États-Unis d'Amérique, de leurs possessions et territoires, exception faite en ce qui concerne les produits vendus par l'intermédiaire de ses canaux agréés de distribution à l'exportation.

Troy-Bilt se réserve le droit de modifier ou d'améliorer la conception de ses produits sans pour autant assumer l'obligation de modifier tout produit d'une fabrication plus ancienne.

**Aucune garantie implicite, y compris toute garantie de valeur marchande ou d'adaptation à une fin particulière, ne s'applique après la période applicable de garantie expresse écrite ci-dessus concernant les pièces qui sont identifiées. Aucune autre garantie ou caution expresse, écrite ou orale, à l'exception de celle mentionnée ci-dessus, accordée par toute personne ou entité, y compris tout distributeur ou détaillant, concernant tout produit n'engagera la responsabilité de Troy-Bilt. Pendant la période de garantie, le recours exclusif est la réparation ou le remplacement du produit dans les conditions énoncées ci-dessus.** (Certains états ne permettent pas la limitation de la garantie implicite, il est donc possible que la limitation ci-dessus ne s'applique pas à vous.)

**Les clauses énoncées dans la présente Garantie constituent le recours unique et exclusif inhérent aux ventes. Troy-Bilt ne sera en aucun cas tenue pour responsable de tout dommage indirect ou consécutif ou de dommages comprenant, entre autres, les dépenses encourues du fait du recours à des services de remplacement ou de substitution pour l'entretien des pelouses, le transport ou des frais connexes, ou les frais entraînés par une location destinée à remplacer provisoirement un produit sous garantie.** (Certains états ne permettent pas la limitation de la garantie implicite, il est donc possible que la limitation ci-dessus ne s'applique pas à vous.)

Aucun recouvrement, quel qu'il soit, ne sera d'un montant supérieur au prix du produit vendu. Toute modification des dispositifs de sécurité du produit annulera la présente Garantie. Vous assumez tout risque et toute responsabilité résultant de la perte, de l'endommagement ou du préjudice que vous et votre propriété et/ou d'autres et leur propriété pourront encourir d'un fait de l'utilisation normale, de la mauvaise utilisation ou de l'incapacité d'utiliser le produit.

La présente garantie limitée n'est accordée qu'à l'acheteur initial, au preneur initial ou à la personne à laquelle le produit a été offert.

**Le Droit des États vis à vis de la présente garantie :** la présente garantie vous confère certains droits juridiques et vous pouvez bénéficier d'autres droits lesquels varient d'un état à l'autre.

Pour obtenir l'adresse du distributeur réparateur le plus proche, composez le : **1-800-828-5500** aux États-Unis ou le **1-800-668-1238** au Canada.

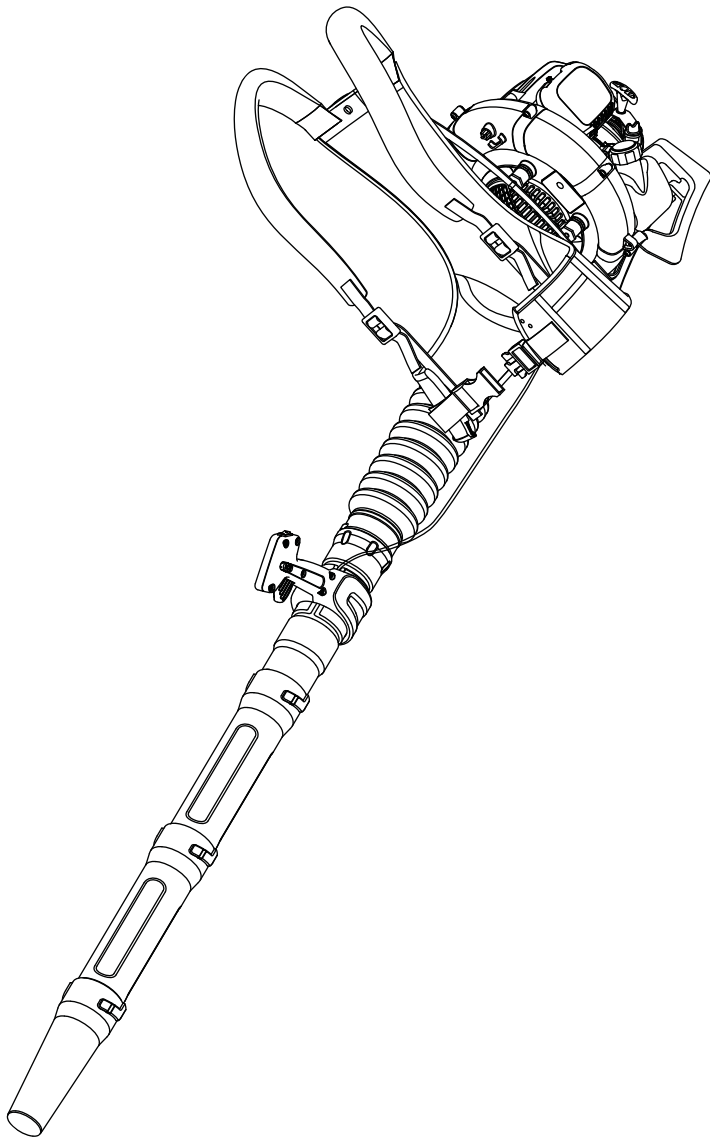
**Troy-Bilt LLC**

PO Box 361131

Cleveland, OH 44136-0019



# Manual del Operador



## Soplador de Mochila de 4 Ciclos TB4BP

### CONSERVE ESTAS INSTRUCCIONES

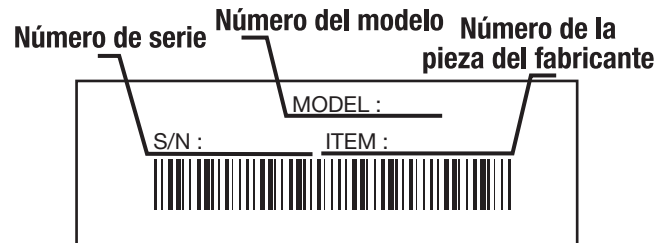
Llame **1-800-828-5500** en EE.UU. o al **1-800-668-1238** en Canada para obtener una lista de distribuidores de servicio localizados cerca de usted. Para obtener más detalles sobre su unidad, visite nuestro sitio en [www.troybilt.com](http://www.troybilt.com).

**NO REGRESE SU UNIDAD AL VENDEDOR. PARA SOLICITAR SERVICIO POR LA GARANTIA, DEBERA PRESENTAR PRUEBA DE SU COMPRA.**

ESTE PRODUCTO ESTA CUBIERTO POR UNA O MAS PATENTES DE EE.UU., OTRAS PATENTES EN TRAMITE.

El servicio de esta unidad, ya sea durante o después del período cubierto por la garantía, debe ser realizado solamente por un proveedor de servicios autorizado y aprobado.

Antes de que empiece a ensamblar su nuevo equipo, por favor ubique la placa que contiene el modelo de la unidad y escriba esa información en el espacio en blanco aquí debajo. Aquí debajo se explica la muestra de una placa del modelo.



Copie el número del modelo/ pieza del fabricante aquí:

Copie el número de serie aquí:

#### INDICE DE CONTENIDOS

Llamadas a apoyo al cliente .....	E1
Normas para una operación segura .....	E2
Conozca su unidad .....	E5
Instrucciones de ensamble .....	E6
Información del aceite y del combustible .....	E8
Instrucciones de arranque y apagado .....	E9
Instrucciones de operación .....	E10
Instrucciones de mantenimiento y reparación .....	E11
Limpieza y almacenamiento .....	E13
Cuadro de solución de problemas .....	E14
Especificaciones .....	E15
Lista de piezas .....	E18
Garantía .....	E20

Toda la información, las ilustraciones y las especificaciones contenidas en este manual se basan en la información más reciente disponible en el momento de impresión del manual. Nos reservamos el derecho de hacer cambios en cualquier momento sin aviso previo.



Copyright© 2007 MTD SOUTHWEST INC. Todos los derechos reservados.

## NORMAS PARA UNA OPERACIÓN SEGURA

### PARACHISPAS

**NOTA: Para los usuarios en tierras forestales de los EE.UU. y en los estados de California, Maine, Oregon y Washington.** Todos los terrenos forestales de los EE.UU. y el estado de California (Códigos de Recursos Públicos 4442 y 4443), Oregon y Washington, requieren por decreto, que ciertos motores de combustión interna que se hagan funcionar en zonas boscosas y/o zonas cubiertas por pastizales, estén equipados con un parachispas, que sean mantenidos en buen estado de funcionamiento o que el motor sea construido, esté equipado y sea mantenido para evitar incendios. Consulte los reglamentos pertinentes a esos requisitos con las autoridades estatales o locales. El incumplimiento de esos requisitos puede responsabilizarle o someterle a la imposición de una multa. **Esta unidad fue equipada en la fábrica con un parachispas.** Si requiere sustitución, hay una **Pantalla Parachispas disponible, Pieza # 753-05297** al contactar el departamento de servicio.

### PROPOSICIÓN 65 DE CALIFORNIA

	<b>ADVERTENCIA</b>	
<b>LAS EMISIONES DEL MOTOR DE ESTE PRODUCTO CONTIENEN SUBSTANCIAS QUIMICAS QUE EL ESTADO DE CALIFORNIA CONOCE COMO CAUSANTES DE CANCER, DEFECTOS DE NACIMIENTO U OTROS DAÑOS REPRODUCTIVOS.</b>		

Los símbolos de seguridad se utilizan para llamar su atención sobre posibles peligros. Los símbolos de seguridad y sus explicaciones merecen toda su atención y comprensión. Los símbolos de seguridad no eliminan ningún peligro por sí mismos. Las instrucciones o advertencias que ofrecen no substituyen las medidas adecuadas de prevención de accidentes.

#### SIMBOLO SIGNIFICADO



**ALERTA DE SEGURIDAD :** Indica peligro, advertencia o precaución. Debe prestar atención para evitar sufrir graves lesiones personales. Puede ser utilizado junto con otros símbolos o figuras.



**PELIGRO :** El no obedecer una advertencia de seguridad puede conducir a que usted u otras personas sufran graves lesiones. Siga siempre las precauciones de seguridad para reducir el riesgo de incendio, descarga eléctrica y lesiones personales.



**ADVERTENCIA :** El no seguir una advertencia de seguridad puede conducir a que usted u otras personas sufran lesiones. Siga siempre las precauciones de seguridad para reducir el riesgo de incendio, descarga eléctrica y lesiones personales.



**PRECAUCIÓN :** El no seguir una advertencia de seguridad puede conducir a daño patrimonial o a que usted u otras personas sufran lesiones personales. Siga siempre las precauciones de seguridad para reducir el riesgo de incendio, descarga eléctrica y lesiones personales.


**REMARQUE:** Le ofrece información o instrucciones que son esenciales para la operación o mantenimiento del equipo.

Lea el manual del operador y siga todas las advertencias e instrucciones de seguridad. De no hacerlo, el operador y/o los espectadores pueden sufrir graves lesiones.

**SI TIENE PREGUNTAS, LLAME AL 1-800-828-5500 EN EE.UU. O AL 1-800-668-1238 en CANADA**


### • IMPORTANTE INFORMACION DE SEGURIDAD •

#### LEA TODAS LAS INSTRUCCIONES ANTES DE LA OPERACIÓN

	<b>ADVERTENCIA:</b> Se debe seguir las siguientes reglas de seguridad cuando use la unidad. Por favor lea estas instrucciones para su propia seguridad y las de los espectadores, antes de hacer funcionar la unidad. Por favor mantenga estas instrucciones en un lugar seguro para uso futuro.
--	--

- Lea todas las instrucciones con cuidado. Conozca bien los controles y el uso correcto de la unidad.
- Lea este manual de instrucciones de funcionamiento detenidamente. Familiarícese completamente con los controles y el uso apropiado del equipo. Sepa cómo apagar la unidad y desactivar los controles con rapidez.
- No opere esta unidad si está cansado, enfermo, o bajo los efectos del alcohol, drogas o medicamentos.
- Nunca permita que los niños manejen el equipo. Nunca permita que los adultos usen la unidad cuando no estén familiarizados con las instrucciones. Nunca permita que las personas adultas manejen el equipo si no cuentan con las instrucciones apropiadas.
- Se debe instalar adecuadamente todos los protectores y dispositivos de seguridad antes de hacer funcionar la unidad.

#### ADVERTENCIAS DE SEGURIDAD ESPECIALES PARA LAS UNIDADES MOTRICES A GAS

	<b>ADVERTENCIA:</b> La gasolina es muy inflamable y sus gases pueden explotar si se encienden. Tome las siguientes precauciones:
--	--

- Guarde el combustible únicamente en recipientes designados especialmente y aprobados para el almacenamiento de dichos materiales.

- Apague siempre el motor y espere que se enfríe antes de llenar el tanque de combustible. Nunca quite la tapa del tanque de combustible ni abastezca combustible mientras la unidad esté caliente. No opere nunca esta unidad sin la tapa del combustible bien apretada en su lugar. Afloje la tapa del tanque de combustible lentamente para desahogar la presión del tanque.
- Abastezca el combustible en un área limpia, bien ventilada en exteriores donde no haya chispas ni llamas. Quite la tapa del combustible lentamente sólo después de parar el motor. No fume mientras abastece el combustible. Seque todo el combustible que se derrame de la unidad de inmediato.
- Evite crear una fuente de encendido con el combustible derramado. No arranque el motor hasta que los gases se hayan disipado.
- Mueva la unidad a por lo menos 30 pies (9.1 m) de distancia de la fuente y punto de abastecimiento de combustible antes de arrancar el motor. No fume, mantenga las chispas y llamas fuera del área mientras carga o el combustible o mientras opera la unidad.

#### DURANTE LA OPERACIÓN

- No arranque ni opere la unidad en un cuarto o edificio cerrado. Los gases de escape de monóxido de carbono pueden ser letales en un área cerrada. Opere esta unidad sólo en un área exterior bien ventilada.
- Para reducir el riesgo de lesiones asociadas con los objetos lanzados, utilice gafas de protección que tengan una marca de clasificación normativa ANSI Z87.
- Nunca haga funcionar la unidad sin que ésta tenga conectado el equipo apropiado. Cuando use esta unidad, instale siempre los tubos de la sopladora / aspiradora y la bolsa de recolección, dependiendo del modelo. Asegúrese de cerrar completamente la bolsa de recolección.

## NORMAS PARA UNA OPERACIÓN SEGURA

- Para reducir el riesgo de pérdida auditiva asociada con los niveles de sonido, use siempre protección para las orejas / oídos cuando haga funcionar esta unidad.
- Use pantalones largos gruesos, botas, guantes y una camisa de mangas largas. No use ropa, suelta, joyas, pantalones cortos, sandalias ni ande descalzo. Recójase el cabello por encima de la altura de los hombros.
- Para evitar el choque de electricidad estática, no se ponga guantes de caucho o guantes aislados mientras haga funcionar esta unidad.
- Use la unidad únicamente con la luz del día o con buena luz artificial.
- Mantenga las superficies exteriores libres de aceite y combustible.
- Evite arrancar la unidad accidentalmente. Colóquese en posición de inicio siempre que tire de la cuerda de arranque. El operador y la unidad deben estar en una posición estable al comenzar. Lea las Instrucciones de Arranque y Apagado.
- No ponga la unidad sobre ninguna superficie excepto sobre una superficie que esté limpia y que sea sólida, cuando el motor esté prendido. Los desechos tales como la grava, arena, polvo, césped, etc., pueden ser absorbidos por la toma de aire y ser lanzados por la avertura de descarga, causándole daños a la unidad, propiedad o causándole lesiones graves a los espectadores o al operario.
- Use la herramienta adecuada. Solamente use esta herramienta para la tarea que ha sido diseñada.
- No fuerce la unidad. Hará mejor el trabajo y con menos probabilidad de lesión bajo la tasa de funcionamiento que fue diseñada.
- No alcance más de la cuenta ni la use desde superficies inestables tales como escaleras, árboles, lomas muy inclinadas, techos, etc. Observe siempre una posición firme y balanceada.
- Sostenga siempre la unidad con ambas manos mientras esté en funcionamiento.
- Mantenga las manos, la cara y los pies lejos de todas las partes móviles. No toque ni intente detener el rotor cuando esté girando. No la haga funcionar sin los protectores puestos en su lugar.
- No ponga ningún objeto en las aberturas. No la use cuando cualquier abertura esté bloqueada, manténgalas libres de mugre, desechos o cualquier cosa que pueda reducir el flujo de aire.
- No toque el motor, o el silenciador. Estas partes se calientan mucho con la operación. Luego de apagar la unidad, permanecen calientes durante un tiempo breve.
- No opere el motor a una velocidad mayor que la necesaria para hacer el trabajo. No haga funcionar el motor a alta velocidad mientras no lo está usando.
- Apague siempre el motor cuando demore la operación o mientras camina de un lugar hacia otro.
- Pare el motor para hacerle mantenimiento, reparaciones, para instalar o quitarle los tubos de soplado o aditamentos de succión. La unidad debe parar y el rotor no debe estar girando, para evitar contacto con las cuchillas que giran.
- Si golpea algún objeto extraño, pare el motor inmediatamente y busque daños. Haga arreglar cualquier daño antes de intentar el funcionamiento ulterior.
- Use sólo piezas y accesorios de repuesto del fabricante del equipo original para esta unidad. Puede obtenerlos en su

proveedor de servicio autorizado. El uso de piezas y accesorios que no son equipo original; puede causar graves lesiones al operador o el daño de su unidad, y la cancelación de su garantía.

- Nunca use esta unidad para regar productos químicos, fertilizantes u otras sustancias que puedan contener sustancias tóxicas.
- Para reducir el riesgo de incendio, cambie los silenciadores y parachispas defectuosos, mantenga el motor y el silenciador libre de pasto, hojas, grasa excesiva o acumulaciones de carbono.
- Apague el motor y desconecte el cable de la bujía para realizar todo el mantenimiento, reparaciones o cambio del accesorio de corte u otros accesorios.
- Nunca apunte la sopladora hacia a la gente, mascotas o ventanas. Dirija siempre el soplado de desechos lejos de la gente, animales y ventanas. Tenga mucho cuidado cuando sople desechos cerca de objetos sólidos como árboles, automóviles, paredes, etc.

### OTRAS ADVERTENCIAS DE SEGURIDAD

- Desconecte la bujía en todo momento antes de hacerle mantenimiento o alcanzar las piezas móviles.
- Nunca guarde la unidad con combustible en el tanque dentro de un edificio en donde los gases puedan alcanzar una llama expuesta (pilotos, etc) o chispas (interruptores, motores eléctricos, etc.)
- Permita que el motor se enfríe antes de guardarla o transportarla. Asegúrese de sujetar la unidad mientras la transporta.
- Guarde la unidad en un lugar seco, bien sea bajo llave o suficientemente alto para que evite el uso no autorizado o daños. Manténgala fuera del alcance de los niños.
- Nunca remoje o chorree la unidad con agua o cualquier otro líquido. Mantenga los mangos secos, limpios y libres de escombros. Límpiela después de cada uso, vea las Instrucciones de Limpieza y Almacenamiento.
- Conserve estas instrucciones. Consúltelas con frecuencia y úselas para instruir a otros usuarios. Si le presta esta unidad a otras personas, también incluya las instrucciones.

**NOTA ESPECIAL:** La exposición a las vibraciones mediante el uso prolongado de herramientas manuales a gasolina puede causar daños en los vasos sanguíneos o nervios de los dedos, manos y articulaciones en las personas que presentan una predisposición a trastornos circulatorios o inflamaciones anormales. Por otra parte, el uso prolongado en el clima frío ha sido relacionado con el daño de vasos sanguíneos en personas sanas. En caso de ocurrir síntomas como adormecimiento, dolor, pérdida de fuerza, cambio en el color o textura de la piel o pérdida de sensación en los dedos, manos o articulaciones, abandone el uso de esta herramienta y obtenga atención médica. Un sistema antivibratorio no garantiza la prevención de estos problemas. Los usuarios que operan herramientas motrices en forma regular y continua deben controlar con cuidado su condición física y la condición de esta herramienta.


## GUARDE ESTAS INSTRUCCIONES

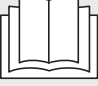
## NORMAS PARA UNA OPERACIÓN SEGURA


### • SIMBOLOS DE SEGURIDAD E INTERNACIONALES •

Este manual del operador describe los símbolos y figuras de seguridad e internacionales que pueden aparecer en este producto. Lea el manual del operador para obtener información completa acerca de la seguridad, ensamble, operación y mantenimiento y reparación.


#### SIMBOLO SIGNIFICADO

	<p>• <b>SIMBOLO DE ALERTA DE SEGURIDAD</b></p> <p>Indica peligro, advertencia o precaución. Puede ser utilizado junto con otros símbolos o figuras.</p>
--	---

	<p>• <b>ADVERTENCIA: LEA EL MANUAL DEL OPERADOR</b></p> <p>Lea el manual del operador y siga todas las advertencias e instrucciones de seguridad. De no hacerlo, el operador y/o los espectadores pueden sufrir graves lesiones.</p>
--	--


	<p>• <b>USE PROTECCIÓN OCULAR Y AUDITIVA</b></p> <p><b>ADVERTENCIA:</b> Los objetos arrojados por la unidad y el ruido fuerte pueden causar graves lesiones oculares y pérdida auditiva. Utilice protección ocular que cumpla con las normas ANSI Z87.1 y protección auditiva cuando opere esta unidad. Use una careta completa cuando la necesite.</p>
--	---


	<p>• <b>COMBUSTIBLE SIN PLOMO</b></p> <p>Use siempre combustible limpio, nuevo y sin plomo.</p>
--	---


	<p>• <b>INDICADOR DE ACEITE</b></p> <p>Consulte el manual del operador para obtener información acerca del tipo correcto de aceite.</p>
--	---


#### SIMBOLO SIGNIFICADO


	<p>• <b>CONTROL DE ENCENDIDO Y APAGADO</b></p> <p>ENCENDIDO /ARRANQUE /MARCHA</p>
---	---

	<p>• <b>CONTROL DE ENCENDIDO Y APAGADO</b></p> <p>APAGADO o PARADO</p>
---	--

	<p>• <b>MANTENGA ALEJADOS A LOS ESPECTADORES</b></p> <p><b>ADVERTENCIA:</b> Mantenga a todos los espectadores, en especial a niños y animales domésticos a por lo menos 50 pies (15 m) del área de corte.</p>
---	---

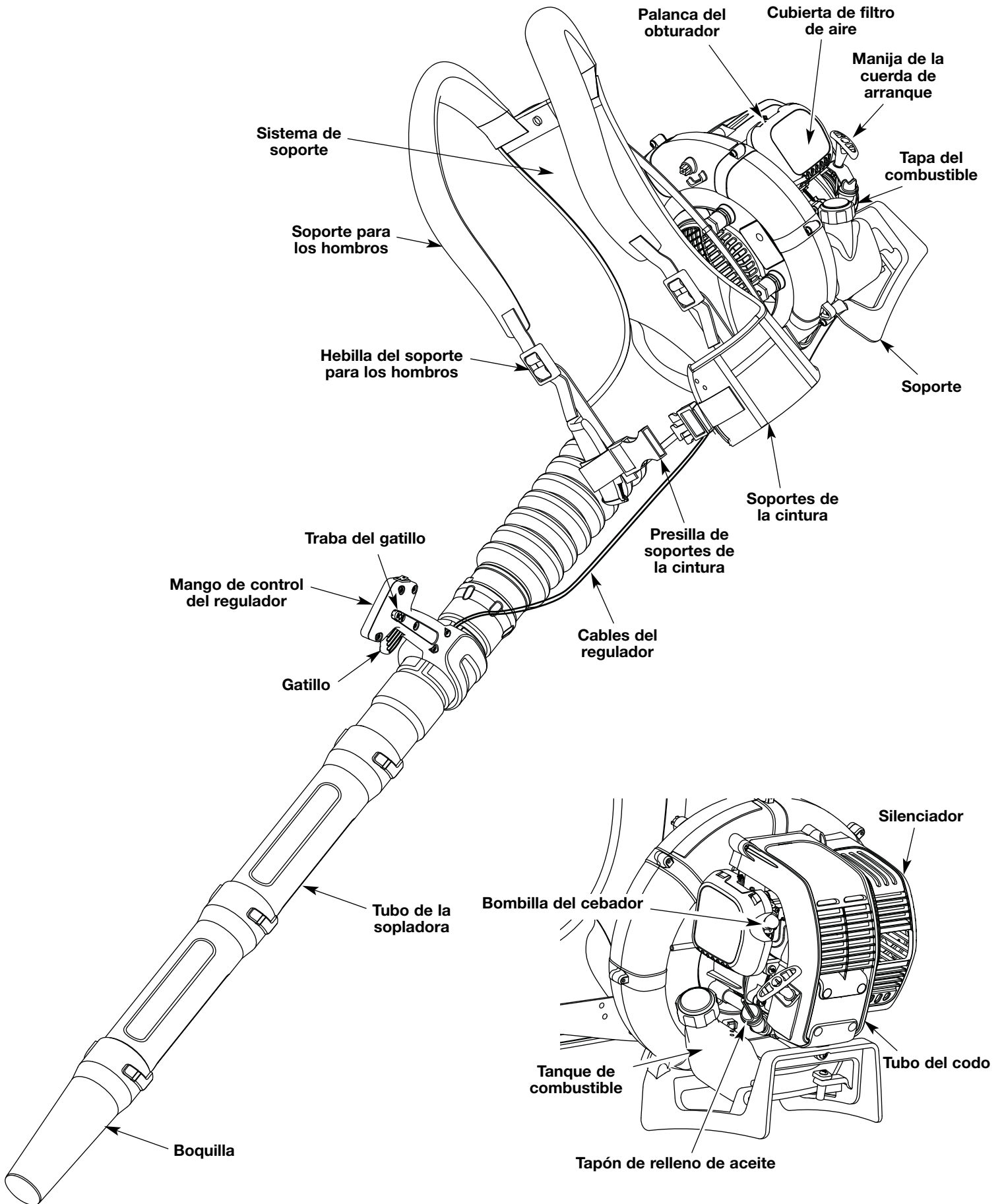
	<p>• <b>LOS OBJETOS DESPEDIDOS Y LA CUCHILLA ROTATIVA PUEDEN CAUSAR GRAVES LESIONES</b></p> <p><b>ADVERTENCIA:</b> No opere esta unidad si la protección plástica de línea no está colocada en su lugar. Manténgase alejado del cuchilla giratorio.</p>
---	---

	<p>• <b>CONTROL DE ESTRANGULACIÓN</b></p> <p>A. Posición de <b>ESTRANGULACIÓN COMPLETA</b>          B. Posición de <b>ESTRANGULACIÓN PARCIAL</b>          C. Posición de <b>MARCHA</b></p>
---	--

	<p>• <b>ADVERTENCIA DE CALIENTE</b></p> <p>No toque una superficie que esté caliente. Puede quemarse. Estas partes se calientan mucho con el uso. Luego de apagarse permanecen calientes durante un corto tiempo.</p>
---	---



# CONOZCA SU UNIDAD



## ENSAMBLAJE DEL TUBO DE LA SOPLADORA



**ADVERTENCIA:** Para evitar lesiones personales graves y daños a la unidad, apague la unidad antes de quitar o instalar el tubo de la sopladora.

### Instalación del tubo flexible

1. Coloque una abrazadera de manguera sobre el extremo del tubo flexible (Fig. 1, A).
2. Deslice el extremo del tubo flexible con la abrazadera colocada sobre la boquilla de la caja de impelente (Fig. 1, B).
3. Alinee el tope del tubo flexible con el tope de la boquilla del motor (Fig. 1, C).
4. Apriete el tornillo situado en la abrazadera de la manguera para asegurar el tubo flexible a la boquilla de salida del impelente (Fig. 1, D).

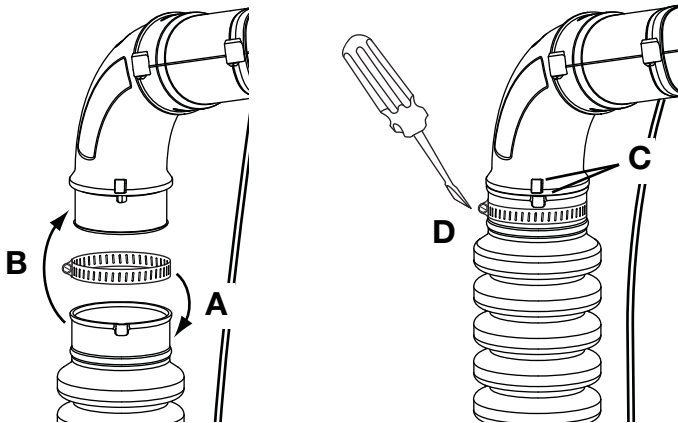


Fig. 1

### Instalación del tubo superior de la sopladora

1. Coloque una abrazadera de manguera sobre el otro extremo del tubo flexible (Fig. 2, A).
2. Deslice el extremo de la manguera con la abrazadera colocada sobre el extremo superior del tubo superior de la sopladora (Fig. 2, B).
3. Alinee el tope del tubo flexible con el tope del tubo superior de la sopladora (Fig. 2, C).
4. Apriete el tornillo de la abrazadera de la manguera para asegurar el tubo flexible al tubo superior de la sopladora (Fig. 2, D).

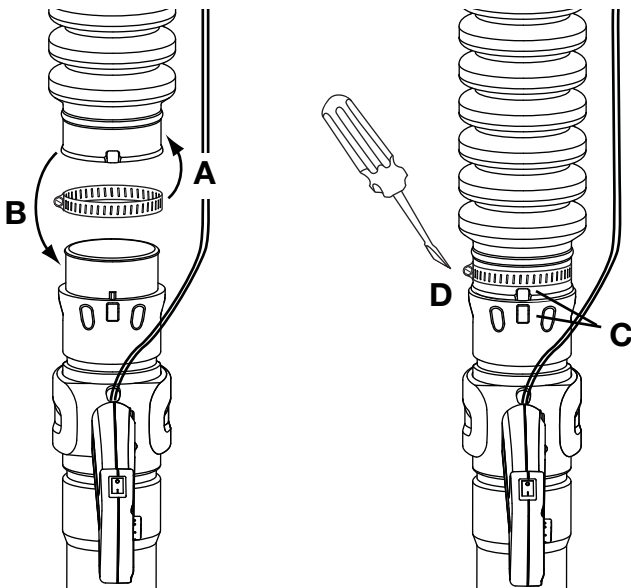


Fig. 2

### Instalación de los tubos inferiores de la sopladora y la boquilla

1. Alinee la ranura de tope en el extremo del primer tubo inferior de la sopladora con el tope en el extremo inferior del tubo superior de la sopladora (Fig. 3, A).
2. Inserte el tope del tubo superior de la sopladora en la ranura de tope de la extensión del tubo (Fig. 3, A).
3. Haga girar el tubo de extensión en el sentido de las agujas del reloj alrededor del tubo superior de la sopladora hasta que el tope del tubo de la manija caiga en su lugar (Fig. 3, B).

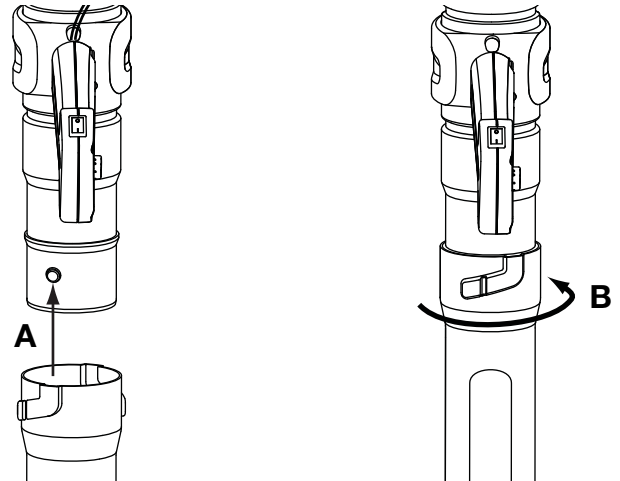


Fig. 3

4. Alinee la ranura de tope en el extremo del segundo tubo inferior de la sopladora con el tope del extremo inferior del primer tubo inferior de la sopladora (Fig. 4, A).
5. Inserte el tope del primer tubo inferior de la sopladora en la ranura de tope del segundo tubo inferior de la sopladora (Fig. 4, A).
6. Haga girar el segundo tubo inferior de la sopladora alrededor del primer tubo inferior de la sopladora hasta que el tope del segundo tubo inferior de la sopladora caiga en su lugar (Fig. 4, B).

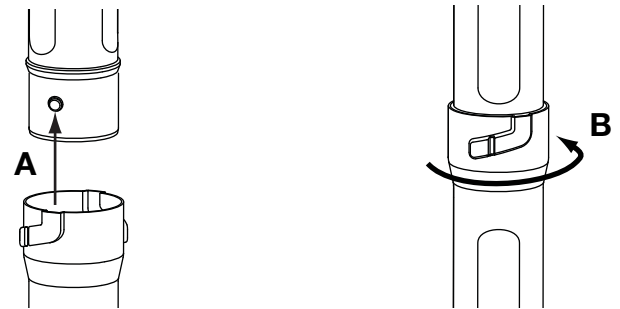


Fig. 4

7. Alinee la ranura de tope del extremo superior de la boquilla con el tope del extremo inferior del segundo tubo inferior de la sopladora (Fig. 5, A).
8. Inserte el tope del segundo tubo inferior de la sopladora en la ranura de tope de la boquilla (Fig. 5, A).
9. Haga girar la boquilla en el sentido de las agujas del reloj alrededor del segundo tubo inferior de la sopladora hasta que el tope de la boquilla del concentrador caiga en su lugar (Fig. 5, B).

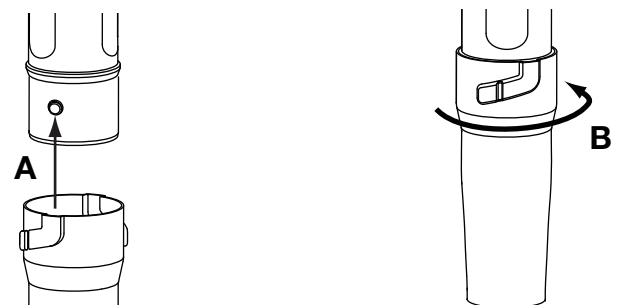


Fig. 5

## INSTRUCCIONES DE MONTAJE

El tubo terminado de la sopladora debe parecer como en la Figura 6.

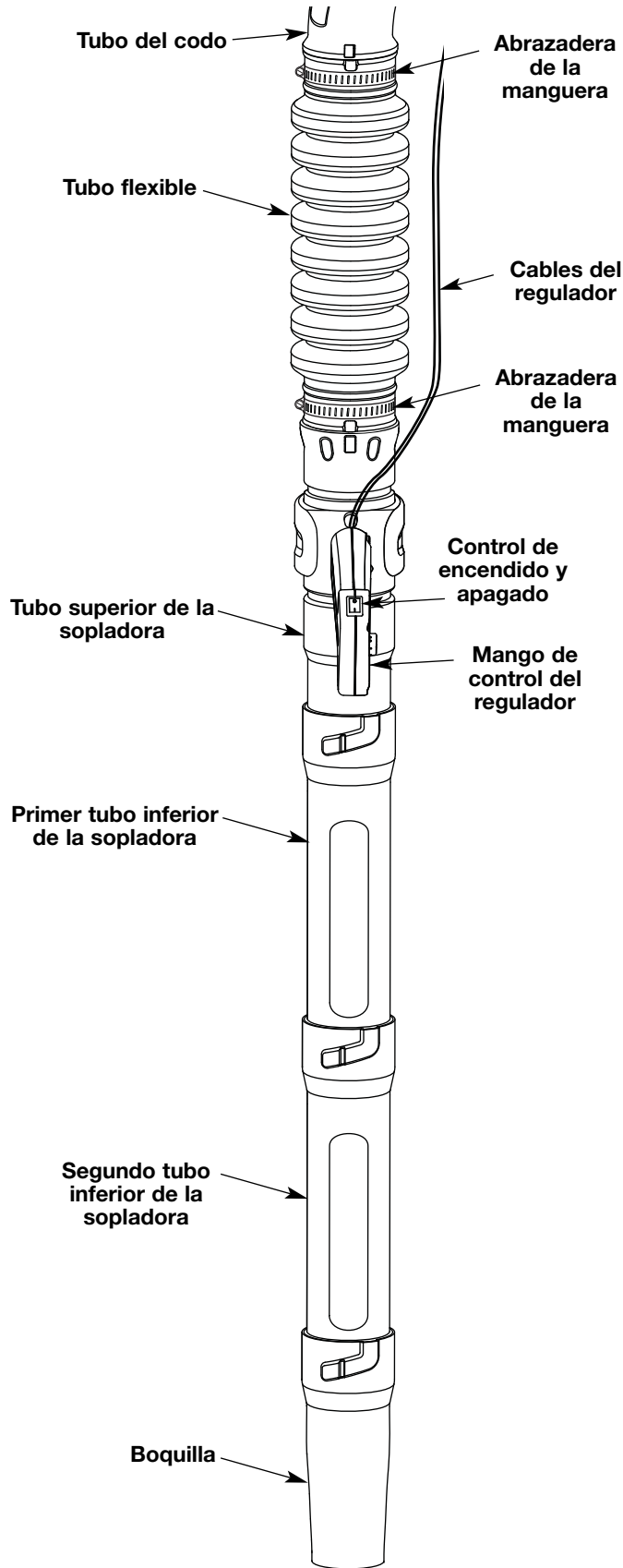


Fig. 6

### Ajuste de la manija

1. Haga girar el mango de control del regulador en el sentido contrario a las agujas del reloj alrededor del tubo de la sopladora hasta que apunte directamente hacia abajo (Fig. 7, A).



**ADVERTENCIA:** No gire la manija hacia la derecha para ajustar. Esto puede ocasionar que los cables del regulador se desconecten del mango de control del regulador o del motor.

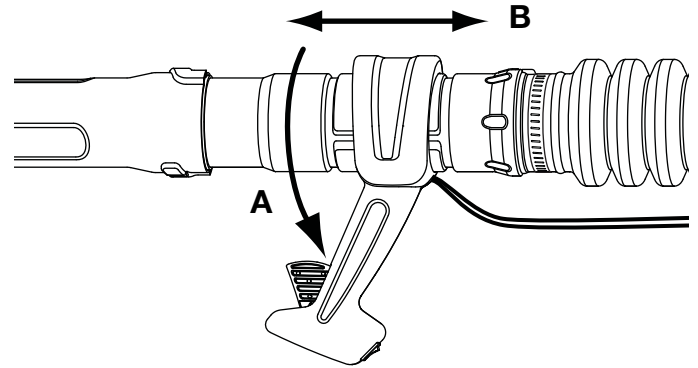


Fig. 7

2. Tire del mango de control del regulador o empújelo a lo largo del tubo de la manija hasta que quede a una distancia cómoda de la sopladora de mochila (Fig. 7, B).
3. Alinee el mango de control del regulador con la ranura más cercana a la posición cómoda y gire el mango de control del regulador en el sentido de las agujas del reloj hacia la posición vertical (Fig. 8).

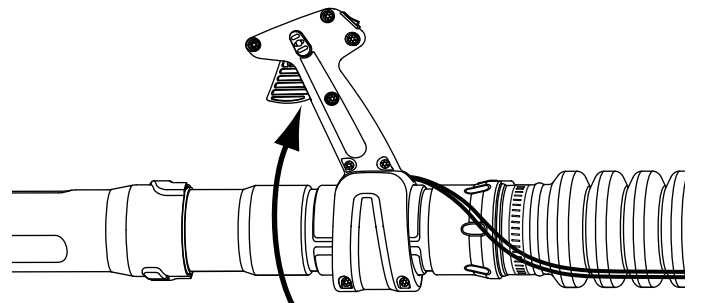


Fig. 8



**ADVERTENCIA:** Para evitar lesiones personales graves, asegúrese de que los tubos de la sopladora estén fijadas en su lugar o firmemente instaladas.



**ADVERTENCIA:** EL LLENAR DEMASIADO EL CÁRTER PUEDE CAUSAR LESIONES PERSONALES GRAVES. No podemos exagerar la importancia del control y mantenimiento del nivel correcto de aceite en el cigüeñal. Verifique el aceite antes de cada uso y cámbielo cuando sea necesario según se indica en la sección de Cambio del aceite.

### TIPO DE ACEITE RECOMENDADO

El uso de un aceite del tipo y peso correctos en el cigüeñal es extremadamente importante. Verifique el aceite antes de cada uso y cambie el aceite con frecuencia. Si no usa el aceite correcto, o utiliza aceite sucio, puede causar el desgaste y falla prematuros del motor. Use un aceite de buena calidad SAE 30 de API (American Petroleum Institute) clase de servicio SG, SF, SH.

### CARGA DE ACEITE EN EL CÁRTER DEL CIGÜEÑAL: USO INICIAL

**NOTA:** Esta unidad se envía sin carga de aceite. A fin de evitar el daño de la unidad, cargue aceite en el cárter del cigüeñal antes de intentar arrancar la unidad.

Su unidad trae una botella de aceite SAE 30 SF, SG, SH de 90 ml (3,04 onzas fluidas) (Fig. 9).

**NOTA:** Guarde la botella para medir la cantidad correcta de aceite cuando deba cambiarlo en el futuro (Fig. 9). Lea *Cambio de aceite*.

1. Desenrosque la tapa de la botella de aceite y retire el sello de papel que cubre la apertura. Vuelva a colocar la tapa. Corte la punta de la boquilla del embudo (Fig. 9).
2. Saque el tapón de aceite/ varilla de medición del cigüeñal (Fig. 10).
3. Incline la unidad 30° (Fig. 11).
4. Vierta todo el contenido de la botella de aceite en el cigüeñal (Fig. 11).

**NOTA:** No agregue nunca aceite al combustible o al tanque de combustible.

5. Limpie todo el aceite que pueda haberse derramado y vuelva a instalar el tapón del aceite / varilla de medición.

No podemos exagerar la importancia del control y mantenimiento del nivel correcto de aceite en el cigüeñal. Verifique el aceite antes de cada uso y cambie el aceite cada 25 horas de operación. Cámbielo cuando sea necesario según se indica en la sección de Cambio del aceite.

### VERIFICACIÓN DEL NIVEL DE ACEITE

Compruebe el aceite solamente cuando el motor está apagado y frío.

1. Coloque la unidad sobre su soporte en una superficie a nivel.
2. Quite el tapón de llenado de aceite del cárter (Fig. 10).
3. Revise el orificio de llenado de aceite (Fig. 10). Si el nivel de aceite llega hasta la primera rosca, entonces no añada más aceite (Fig. 12). Si no es así, continúe llenando con aceite hasta que llegue a la marca.

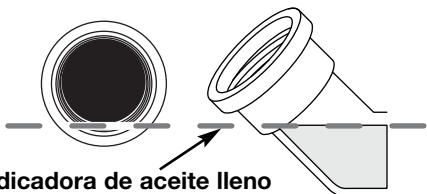


Fig. 12

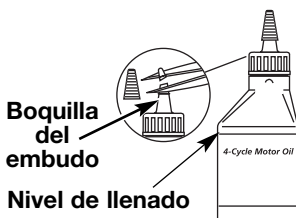


Fig. 9

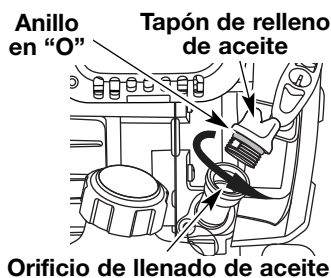


Fig. 10

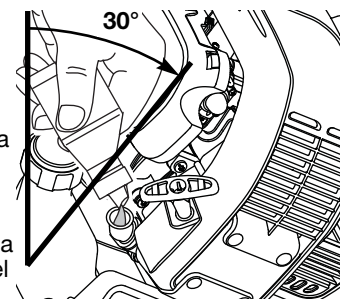


Fig. 11

### TIPO DE COMBUSTIBLE RECOMENDADO

El combustible viejo es la causa principal del mal funcionamiento de la unidad. Asegúrese de usar combustible nuevo, limpio y sin plomo.

**NOTA:** Este es un motor de cuatro ciclos. Para evitar dañar su unidad, no mezcle el aceite con la gasolina.

### Definición de los combustibles de mezcla

Los combustibles actuales con frecuencia son una mezcla de gasolina y uno o más oxigenantes como el etano, el metanol o el MTBE (éter). El combustible con mezcla de alcohol absorbe agua. Un porcentaje de agua tan pequeño como el 1% en el combustible puede hacer que el combustible y el aceite se separen. Se forman ácidos mientras está guardado. Cuando use combustible con mezcla de alcohol, use combustible nuevo (almacenado durante menos de 60 días).

### Uso de los combustibles de mezcla

Si decide usar un combustible de mezcla o si su uso es inevitable, le recomendamos que tome las siguientes precauciones:

- Use siempre una mezcla fresca de combustible según lo indica su manual del operador
- Use un aditivo de combustible estabilizador de gasolina
- Drene el tanque y haga funcionar el motor en seco antes de guardar la unidad

### Uso de aditivos en el combustible



**ADVERTENCIA:** Cargue el combustible en un área exterior limpia y bien ventilada. Limpie de inmediato todo combustible que se haya derramado. Evite crear una fuente de encendido con el combustible derramado. No arranque el motor hasta que se hayan evaporado los gases del combustible.



**ADVERTENCIA:** La gasolina es muy inflamable. Los gases pueden explotar si se encienden. Apague siempre el motor y espere que se enfríe antes de cargar el tanque de combustible. No fume mientras llena el tanque. Mantenga las chispas y las llamas lejos del área.

El uso de un estabilizador de gasolina impedirá la corrosión y reducirá al mínimo la formación de depósitos de resina. El uso de aditivos puede evitar que se formen depósitos dañinos en el carburador por hasta ocho (8) meses. Agregue 23 ml (0,8 de onza) de aditivo por galón de combustible de acuerdo a las instrucciones del envase. No agregue NUNCA los aditivos directamente al tanque de combustible de la unidad.

### CARGA DE COMBUSTIBLE EN LA UNIDAD



**ADVERTENCIA:** Saque la tapa del combustible lentamente para evitar lesionarse con el rociado del combustible. No opere nunca la unidad sin la tapa del combustible firmemente colocada en su lugar.

1. Saque la tapa de la gasolina.
2. Coloque el pico del recipiente de gasolina en el orificio de llenado del tanque de gasolina (Fig. 13) y llene el tanque.

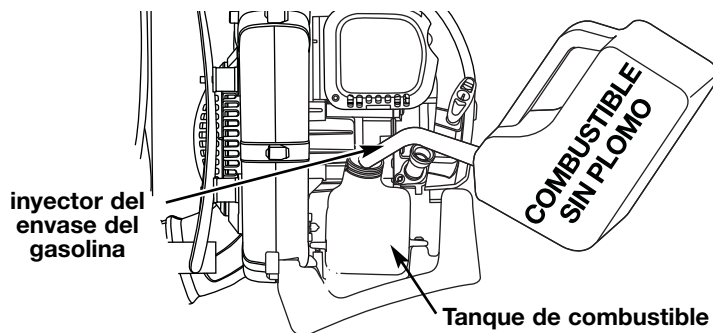


Fig. 13

**NOTA:** No llene el tanque demasiado.

3. Limpie toda la gasolina que pueda haberse derramado.
4. Vuelva a instalar la tapa de la gasolina.
5. Mueva la unidad por lo menos 9,1 m (30 pies) de la fuente y sitio de carga antes de arrancar el motor.

**NOTA:** Elimine la gasolina vieja de acuerdo a los reglamentos federales, estatales y locales.

## INSTRUCCIONES DE ARRANQUE Y APAGADO



**ADVERTENCIA:** Use esta unidad sólo en un área exterior bien ventilada. Los gases de escape de monóxido de carbono pueden ser letales en un área cerrada.



**ADVERTENCIA:** Evite los arranques accidentales. Colóquese en posición de inicio cuando tire de la cuerda de arranque (Fig. 16). El operador y la unidad deben estar en una posición estable al arrancar la unidad para evitar graves lesiones personales. Para evitar lesiones personales graves, asegúrese de que los tubos de la sopladora estén colocados antes de hacer funcionar la unidad.

### INSTRUCCIONES DE ARRANQUE

1. Verifique el nivel de aceite en el cárter del cigüeñal. *Lea Inspección del Nivel de Aceite.*
2. Llene el tanque de combustible con gasolina nueva, limpia y sin plomo.
3. Oprima completamente el cebador y suéltelo 10 veces. Hágalo lentamente. Se deberá ver un poco de combustible en el cebador y en las tuberías de alimentación de combustible (Fig. 14). Si no puede ver el combustible en el cebador, oprímalo y suéltelo tantas veces como sea necesario hasta que vea combustible en el mismo.
4. Coloque la palanca del obturador en **Posición 1** (Fig. 14).

**NOTA:** La unidad debe arrancarse en vacío. No oprima el gatillo mientras arranca la unidad (Fig. 15).

5. Colóquese en la posición de arranque y tire de la cuerda de arranque hacia afuera aproximadamente 4 pulgadas, luego tire de ella 4 veces de manera suave y rápida (Fig. 16).

**Si...** el motor no arranca, oloque la palanca del obturador en **Posición 2** y tire de ella 4 veces de manera suave y rápida.

6. Coloque la palanca del obturador en **Posición 2** (Fig. 14) y deje que el motor se caliente durante unos 5 a 10 segundos.

7. Coloque la palanca del obturador en **Posición 3** (Fig. 14). La unidad está lista para usarse.

**Si...** el motor no arranca, regrese al paso 3-7.

**ARRANQUE EN CALIENTE:** Si la unidad ya está caliente, coloque la palanca del obturador en la posición 3 y tire de la cuerda de arranque para volver a arrancar. **La unidad debe arrancarse en vacío. No oprima el gatillo mientras arranca la unidad** (Fig. 15).

### INSTRUCCIONES DE PARADA

1. Libere el gatillo. Deje que el motor se enfríe dejándolo funcionar en mínima.
2. Oprima y mantenga oprimido el Control de encendido y apagado en la posición APAGADO (O) hasta que el motor se detenga por completo (Fig. 15).

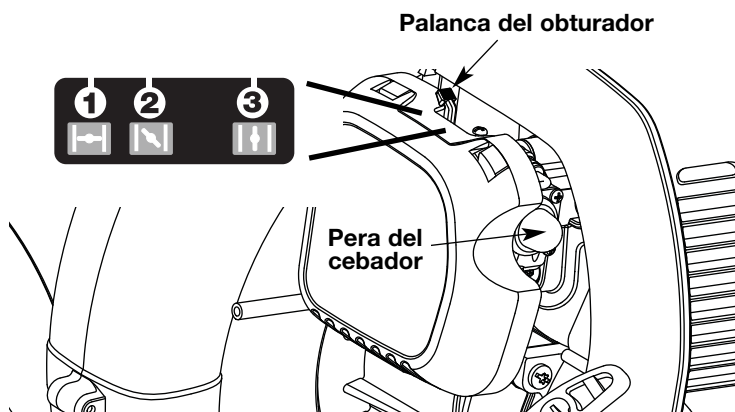


Fig. 14

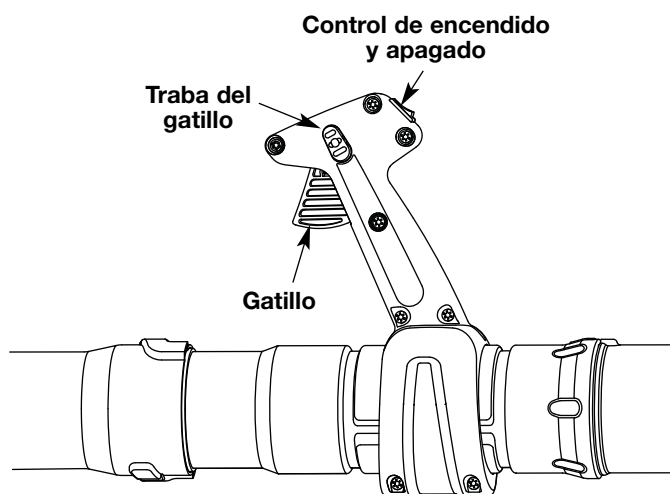


Fig. 15



Fig. 16

## INSTRUCCIONES DE OPERACIÓN

### AJUSTE DEL SISTEMA DE SOPORTE

1. Coloque los soportes de la unidad sobre los hombros mientras la unidad esté detrás de usted.
2. Cierre los soportes de la cintura del sistema de soporte uniendo las presillas de los soportes de la cintura (Fig. 17, A).

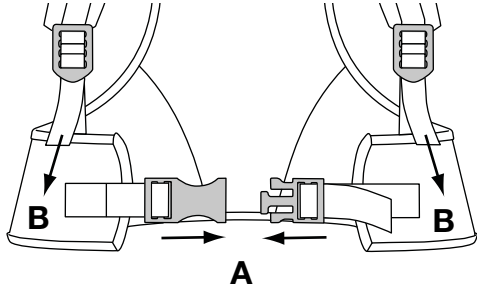


Fig. 17

**NOTA:** Asegúrese de que los soportes de la cintura soporten el peso de la unidad sobre las caderas (Fig. 18, A).

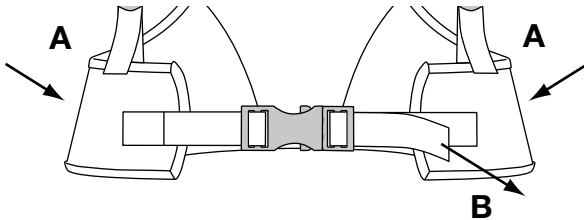


Fig. 18

3. Si el peso no cae sobre las caderas, afloje los soportes de los hombros (Fig. 19, A) y tire de la manija de los soportes de la cintura (Fig. 18, B) para apretarlos. Ajústelos hasta que el peso de la unidad descansa sobre las caderas.

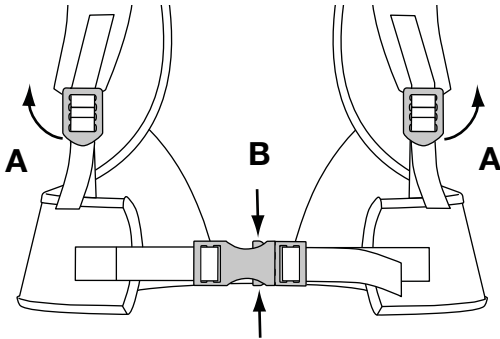


Fig. 19

4. Tire de las manijas de los soportes de los hombros para apretar los soportes de los hombros (Fig. 17, B).

### Desconexión del sistema de soporte

1. Para desconectar los soportes de los hombros, tire hacia arriba de la lengüeta inferior de las hebillas de los soportes de los hombros (Fig. 19, A).
2. Apriete la parte superior e inferior de las presillas de los soportes de la cintura para zafar los soportes de la cintura (Fig. 19, B).

### SOSTENIMIENTO DE LA SOPLADORA

**ADVERTENCIA:** Para evitar lesiones personales graves, póngase gafas de seguridad en todo momento cuando maneje esta unidad. Póngase una máscara o máscara para polvo en sitios que sean polvorientos.

Antes de operar esta unidad, párese en la posición de operación. Verifique lo siguiente (Fig. 20):

- El operador está vestido con la ropa apropiada tal como botas, gafas de protección, protección auditiva, guantes, pantalones largos y camisa de manga larga.
- Si las condiciones son polvorientas, el operador lleva puesta una máscara.



Fig. 20

- La unidad se encuentra en buen estado de funcionamiento.
- Los tubos están puestos y asegurados en su lugar.

### CONSEJOS ÚTILES SOBRE LA OPERACIÓN



**ADVERTENCIA:** Para evitar lesiones personales graves o daño a la unidad, asegúrese de que los tubos de la sopladora estén colocados antes de hacer funcionar la unidad.

- Asegúrese que la unidad no apunte hacia desechos sueltos o personas antes de ponerla en marcha.
- Compruebe que la unidad se encuentre en buen estado de funcionamiento. Verifique que los tubos estén puestos y asegurados en su lugar.
- Se recomienda sostener la unidad con ambas manos cuando maneje la sopladora a la altura de la cintura o en ángulos incómodos.
- Se requiere el uso de protección auditiva para reducir el riesgo de pérdida auditiva asociada con los niveles de sonido.
- Opere el equipo solamente durante horas razonables — no muy temprano en las mañanas ni muy tarde en las noches, cuando la gente se pueda molestar. Acate las horas detalladas en las ordenanzas locales. La recomendación usual es de 9:00 am a 5:00 pm, de lunes a sábado.
- Limite el número de equipos que se usen simultáneamente, para reducir los niveles de ruido.
- Opere las sopladoras motorizadas a la menor velocidad posible, para hacer el trabajo y reducir los niveles de ruido.
- Verifique el estado del equipo antes del funcionamiento, especialmente el tubo de escape, tomas de aire y filtros de aire.
- Use rastrillos y escobas para esparcir los desechos antes de soplarlos.
- Remoje ligeramente las superficies o use un aditamento para rociar cuando haya agua disponible y se encuentre bajo condiciones polvorientas.
- Conserve agua mediante el uso de sopladoras motorizadas en vez de usar mangueras para muchas de las aplicaciones de prados y ajardinado, incluyendo áreas tales como canales, mallas, patios, parrillas, pórticos y jardines.
- Tenga cuidado con los niños, animales domésticos, ventanas abiertas y automóviles recién lavados, y sople los desechos en forma segura.
- Use la extensión completa de la boquilla sopladora de manera que el chorro de aire salga cerca al suelo.
- Limpie después de usar las sopladoras y otros equipos. Deposite los desechos en recipientes para la basura.
- Use la traba del gatillo (Fig. 15) para mantener el gatillo oprimido mientras esté trabajando para facilitar el funcionamiento continuo.

### PROCEDIMIENTO DE OPERACIÓN PARA LA SOPLADORA

1. Use la sopladora para árboles, arbustos, macizos de flores y zonas de limpieza difícil.
2. Use la unidad alrededor de edificios y para otras limpiezas normales.
3. Use la sopladora para paredes, salientes, cercas y mallas.

## INSTRUCCIONES DE MANTENIMIENTO Y REPARACIÓN



**ADVERTENCIA:** Para evitar lesiones personales graves, nunca realice mantenimiento ni reparaciones con la unidad funcionando. Realice siempre el mantenimiento y las reparaciones con la unidad fría. Desconecte el cable de la bujía de encendido para cerciorarse de que la unidad no arrancará. Lea *Cambio de la Bujía de Encendido*.

### PROGRAMA DE MANTENIMIENTO

Lleve a cabo estos procedimientos de mantenimiento requeridos con la frecuencia indicada en la tabla. Estos procedimientos también deben formar parte de cualquier puesta a punto.

**NOTA:** Es posible que algunos procedimientos de mantenimiento requieran herramientas o habilidades especiales. Si no está seguro sobre estos procedimientos, lleve la unidad a un Troy-Bilt o a otro proveedor de servicio calificado.

**NOTA:** Los trabajos de mantenimiento, reemplazo o reparación del sistema y los dispositivos de control de emisiones pueden ser realizados por un Troy-Bilt u otro proveedor de servicio calificado.

A fin de garantizar que su motor funcione de forma óptima, es posible que sea necesario inspeccionar la lumbrera de escape del motor después de transcurridas 50 horas de funcionamiento. Si observa que ha perdido revoluciones, un mal funcionamiento o falta general de aceleración, es posible que sea necesario realizar este trabajo de mantenimiento. Si cree que su motor necesita esta inspección, encárguele el mantenimiento a un Troy-Bilt o a otro proveedor de servicio calificado para que haga las reparaciones. NO trate de realizar este procedimiento usted mismo ya que puede dañar el motor debido a los contaminantes que conlleva el proceso de limpieza de la lumbrera.

FRECUENCIA	MANTENIMIENTO REQUERIDO	VEA
Antes de usar	Llene el tanque de combustible con combustible fresco Verifique el aceite antes de cada uso	p E8 p E8
Cada 25 horas	Cambie el aceite Limpie y vuelva a engrasar el filtro de aire Revise el balancín de válvulas para el ajuste de las válvulas Revise el estado y la abertura de la bujía de encendido	p E11 p E11 p E12 p E13
Cada 50 horas	Limpie el parachispas	p E13

### CAMBIO DEL ACEITE

En un motor nuevo, cambie el aceite cada 25 horas de operación. Cambie el aceite mientras el motor aún está caliente. El aceite fluirá con libertad y llevará más impurezas.



**ADVERTENCIA:** Póngase guantes para evitar lesiones al manipular la unidad.

1. Retire el tapón de relleno de aceite / varilla de medición.
2. Vierta el aceite fuera del orificio de llenado de aceite en un recipiente inclinando la unidad hasta una posición vertical (Fig. 21). Deje suficiente tiempo como para completar el drenaje.
3. Seque todo el aceite residual de la unidad y limpie todo el aceite que pueda haberse derramado. Elimine todo el aceite de acuerdo con las normas federales, estatales y locales.

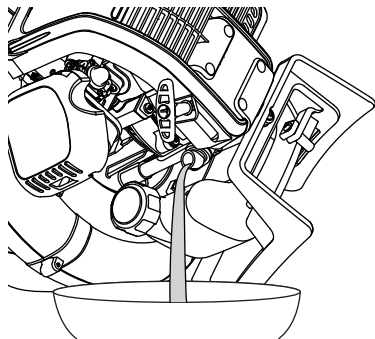


Fig. 21

4. Incline el unidad 30° (Fig. 22).
5. Vuelva a cargar el cárter del cigüeñal con 90 ml (3,04 onzas fluidas) de aceite SAE 30 SF, SG, SH.

**NOTA:** Use la botella y la boquilla que guardó del uso inicial para medir la cantidad correcta. El nivel de 90 ml (3,04 onzas) está aproximadamente en la parte superior de la etiqueta de

la botella (Fig. 22). Mida el nivel con la varilla de medición. Si el nivel está bajo, agregue una pequeña cantidad de aceite y vuelva a medir (Fig. 22). No lo llene demasiado.

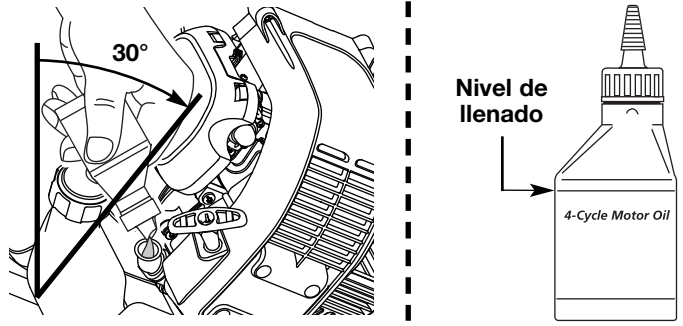


Fig. 22



**ADVERTENCIA:** Para evitar graves lesiones personales, apague siempre su recortador y espere que se enfríe antes de limpiarlo o realizar todo tipo de mantenimiento.

6. Vuelva a colocar el tapón de relleno de aceite / varilla de medición.

### MANTENIMIENTO DEL FILTRO DE AIRE

#### Limpieza del filtro de aire

Limpie y vuelva a aceitar el filtro de aire cada 25 horas de operación. Es una de las partes cuyo mantenimiento es importante. No mantener debidamente su filtro de aire puede resultar en funcionamiento inadecuado o puede causar daño permanente a su motor.

1. Abra la cubierta del filtro de aire. Empuje hacia adentro la orejeta del lado derecho de la cubierta, y extraiga la cubierta del filtro de aire hacia afuera y hacia la izquierda (Fig. 23).

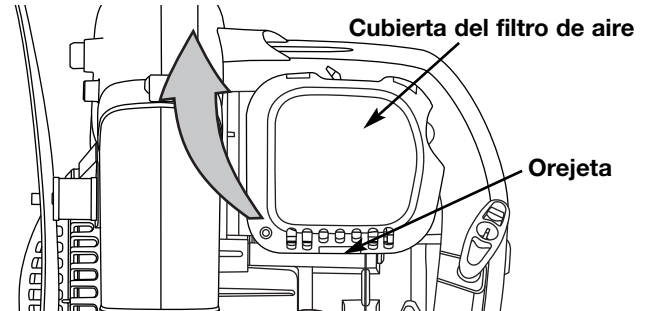


Fig. 23

2. Retire el filtro de aire (Fig. 24).

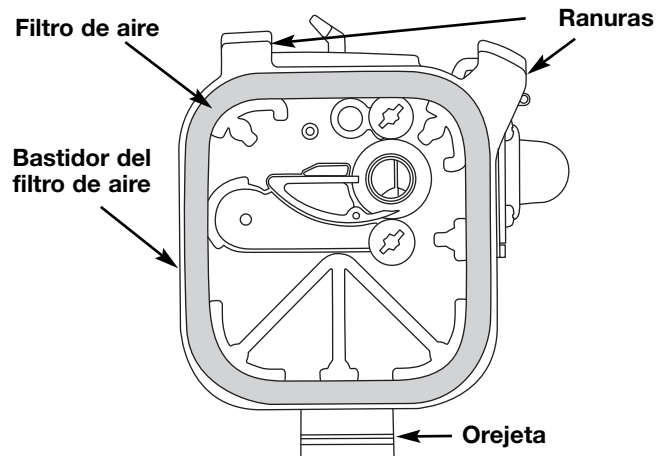


Fig. 24

3. Lave el filtro con agua y detergente (Fig. 25). Enjuague bien el filtro y déjelo secar.
4. Aplique suficiente aceite limpio de motor SAE 30 para recubrir ligeramente el filtro (Fig. 26).
5. Apriete el filtro para esparcir y retirar el exceso de aceite (Fig. 27).

## INSTRUCCIONES DE MANTENIMIENTO Y REPARACIÓN

6. Vuelva a colocar el filtro (Fig. 24).

**NOTA:** Si opera la unidad sin el filtro de aire, su garantía será **ANULADA**.

7. Vuelva a instalar la cubierta del filtro de aire. Coloque los ganchos del lado derecha de la cubierta del filtro de aire en las ranuras del lado derecha de la placa posterior (Figs. 24 y 28).

8. Mueva la cubierta hacia la izquierda hasta que la orejeta del filtro de aire calce en su lugar en la ranura de la placa posterior (Fig. 28).

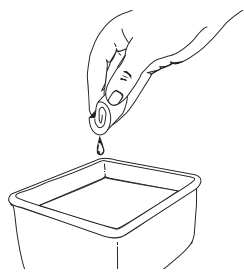


Fig. 25

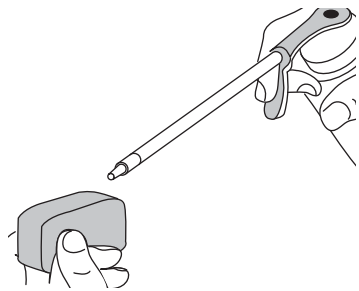


Fig. 26

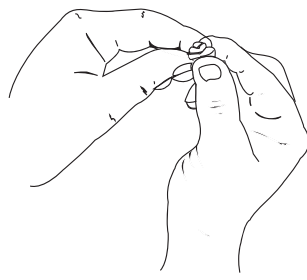


Fig. 27

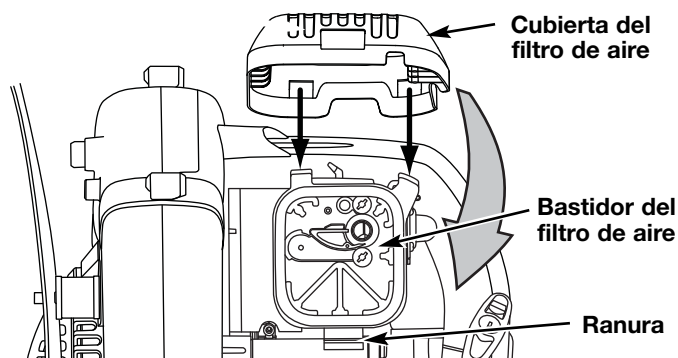


Fig. 28

### AJUSTE DEL CARBURADOR

La velocidad mínima del motor puede ser ajustada. Puede tener acceso al tornillo de ajuste de mínima a través de un orificio en la parte superior de la cubierta del motor (Fig. 29).

**NOTA:** Los ajustes descuidados pueden dañar su motor seriamente. Los ajustes del carburador deben ser realizados por un proveedor de servicio autorizado.

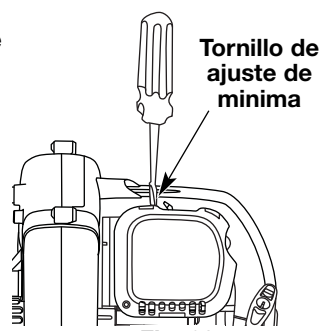


Fig. 29

### Inspección del Combustible

En general, el combustible viejo es el motivo principal para que la unidad no funcione en forma adecuada. Drene y vuelva a llenar el tanque con combustible nuevo, limpio y sin plomo antes de hacer ningún ajuste. Consulte la Información del Aceite y Combustible.

### Ajuste del Tornillo de Velocidad Mínima

Si después de inspeccionar el combustible y limpiar el filtro de aire el motor aún no funciona en mínima, ajuste el tornillo de velocidad mínima según se indica a continuación.

1. Arranque el motor y déjelo funcionar a una mínima alta durante un minuto para que se caliente.
2. Suelte el gatillo y deje que el motor funcione en mínima. Si el motor se para, inserte un destornillador Phillips pequeño en el orificio de la cubierta del motor (Fig. 28).

La inspección del combustible, la limpieza del filtro de aire y el ajuste del tornillo de velocidad mínima debe resolver la mayoría de los problemas del motor. Si esto no sucede, y:

- El motor no funciona en mínima

- El motor fluctúa o se ahoga al acelerarlo

- Existe una pérdida de fuerza motriz

Lleve el carburador a ajustar a un proveedor de servicio autorizado.

### HUELGO DEL BRAZO OSCILANTE

Esto requiere el desarmado del motor. Si usted siente que no está seguro, lleve la unidad a un centro de servicio autorizado.

**NOTA:** Inspeccione el huelgo de la válvula del brazo oscilante con una galga después de las primeras 25 horas de operación y luego cada 25 horas de operación en lo sucesivo.

- El motor debe estar frío cuando verifique o ajuste el huelgo de la válvula.
- Esta tarea debe ser realizada en interiores, en un área limpia y libre de polvo.

1. Quite los seis (6) Tornillos de encima de la tapa del motor con un destornillador de pala o Torx #25 (Fig. 30).

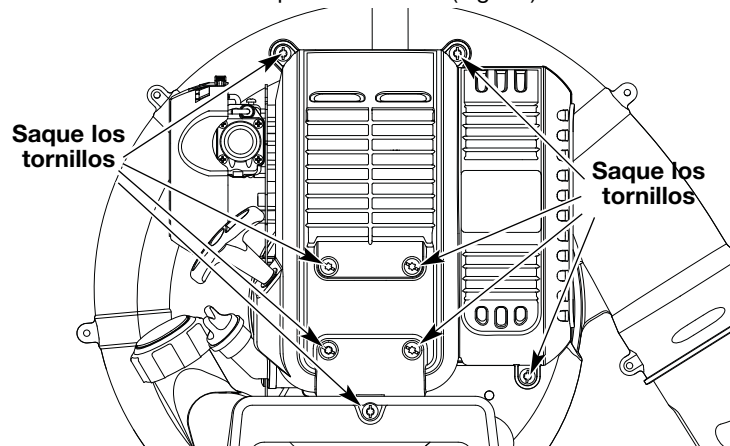


Fig. 30

2. Desconecte el cable de la bujía de encendido.

3. Limpie la suciedad de alrededor de la bujía de encendido. Saque la bujía de encendido de la cabeza del cilindro girando un casquillo de 16mm (5/8 pulgadas) en sentido antihorario.

4. Saque la cubierta del motor (Fig. 30).

5. Limpie la suciedad de alrededor de la cubierta del brazo oscilante. Saque el tornillo que sostiene la cubierta del brazo oscilante con un destornillador grande de vástago plano o con una broca Torx T-25 (Fig. 31). Saque la cubierta y la junta del brazo oscilante.



Fig. 31

6. Tire lentamente de la cuerda de arranque para traer el pistón hacia la parte superior de su recorrido (conocido como punto muerto superior). Verifique que:

- El pistón se encuentre en la parte superior de su recorrido mientras mira dentro del orificio de la bujía de encendido (Fig. 32).
- Ambos brazos oscilantes se mueven con libertad, y ambas

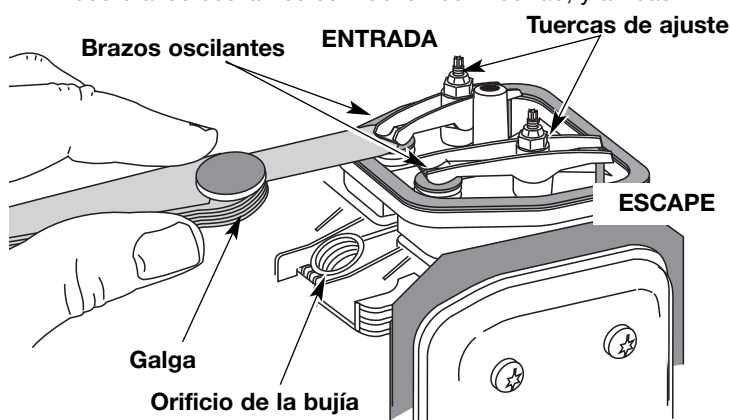


Fig. 32



## INSTRUCCIONES DE MANTENIMIENTO Y REPARACIÓN

válvulas están cerradas.

De no ser así, repita este paso.

- Deslice la galga entre el brazo oscilante y el resorte de retorno de la válvula. Mida el huelgo entre el vástago de la válvula y el brazo oscilante (Fig. 32). Realice esto en las válvulas de entrada y de escape.

El huelgo recomendado para las válvulas de entrada y de escape es 0,076 – 0,152 mm (0,003 – 0,006 pulgadas). Use un calibrador regular de automóvil de 0,127 mm (0,005 pulgadas). El calibrador debe deslizarse entre el balancín y el vástago de la válvula con una ligera cantidad de resistencia, sin doblarse (Fig. 32 y 33).

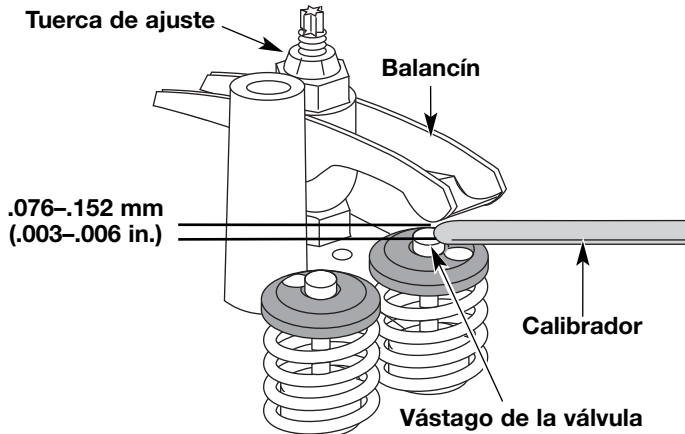


Fig. 33

- Si el huelgo no se encuentra dentro de las especificaciones:
  - Gire la tuerca de ajuste con una llave de 8 mm (5/16 pulgadas) o una guía de tuercas (Fig. 33).
    - Para incrementar el huelgo, gire la tuerca de ajuste en sentido antihorario.
    - Para reducir el huelgo, gire la tuerca de ajuste en sentido horario.
  - Vuelva a inspeccionar ambos huelgos, y ajuste si es necesario.
- Vuelva a instalar la cubierta del brazo oscilante utilizando una nueva junta. Ajuste el tornillo a 2,2–3,4 N•m (20–30 pulgadas•libra).
- Inspeccione la bujía de encendido y vuelva a instalar. Lea *Cambio de la bujía de encendido*.
- Vuelva a colocar el cable de la bujía de encendido.
- Vuelva a instalar la cubierta del motor. Verifique la alineación de la cubierta antes de ajustar los tornillos. Ajuste los tornillos.

### CAMBIO DE LA BUJÍA DE ENCENDIDO

Use una bujía de encendido **791-180852B**. La separación correcta es de 0,635 mm (0,025 pulg). Retire la bujía luego de cada 25 horas de operación e inspeccione su estado.

- Apague el motor y espere que se enfríe. Quite los seis (6) tornillos de encima de la tapa del motor con un destornillador de pala o Torx #25 (Fig. 30).
- Desconecte el cable de la bujía de encendido.
- Limpie alrededor de la bujía de encendido. Saque la bujía de encendido de la cabeza del cilindro girando una llave de casquillo de 16 mm (5/8 de pulgada) en sentido antihorario.
- Cambie las bujías que estén rajadas, sucias o deterioradas. Fije la separación de aire a 0,635 mm (0,025 pulgadas) utilizando un calibrador (Fig. 34).
- Instale una bujía de encendido con la separación correcta en la cabeza del cilindro. Ajuste girando la llave de casquillo 16 mm (5/8 de pulgada) en sentido horario hasta que esté ajustada sin huelgo.

Si usa una llave de torsión, ajuste a: **110-120 pulg. •libras (12.3-13.5 N•m)**  
No ajuste demasiado.

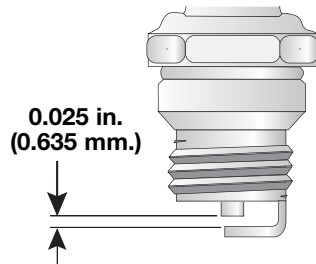


Fig. 34

### MANTENIMIENTO DEL AMORTIGUADOR DE CHISPAS

Inspeccione el amortiguador de chispas después de cada 50 horas de la operación.

- Saque la cubierta del amortiguador de chispas. Lea Huelgo del brazo oscilante.
- Con un destornillador de vástago plano o broca Torx T20 y Torx T25, saque el 4 tornillo que conecta la cubierta del amortiguador de chispas al silenciador (Fig. 35).

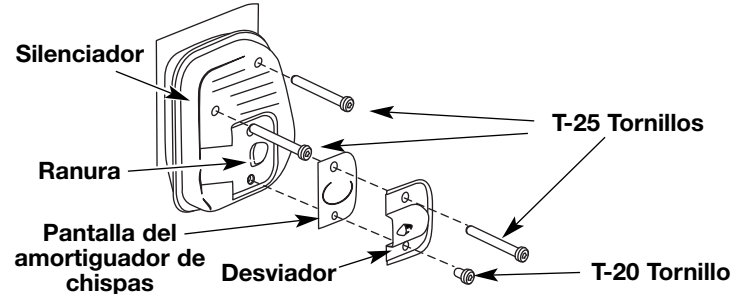


Fig. 35

- Saque la orejeta de la cubierta del amortiguador de chispas fuera del silenciador. Retire la cubierta del amortiguador de chispas.
- Saque la pantalla del amortiguador de chispas de la cubierta del amortiguador de chispas.
- Limpie la pantalla del amortiguador de chispas con un cepillo de alambre, o cámbiela.
- Vuelva a instalar la pantalla del amortiguador de chispas, la cubierta del amortiguador de chispas y el tornillo.

### LIMPIEZA



**ADVERTENCIA:** Para evitar graves lesiones personales, apague siempre su unidad y espere que se enfríe antes de limpiarlo o realizar cualquier tipo de mantenimiento.

Use un cepillo pequeño para limpiar la parte exterior de la unidad. No use detergentes fuertes. Los limpiadores domésticos que contienen aceites aromáticos como pino y limón, y con solventes como el queroseno pueden dañar el bastidor de plástico y la manija. Seque toda la humedad con un paño suave.

### ALMACENAMIENTO

- No guarde nunca la unidad con combustible en el tanque donde los vapores puedan llegar a una llama o chispa.
- Espere que el motor se enfríe antes de guardar la unidad.
- Guarde la unidad bajo llave para prevenir el uso por personas no autorizadas y su daño.
- Guarde la unidad en un área seca y bien ventilada.
- Guarde la unidad fuera del alcance de los niños.

### ALMACENAMIENTO POR LARGOS PERIODOS DE TIEMPO

Si debe guardar la unidad durante un largo período de tiempo:

- Drene toda la gasolina del tanque en un recipiente. No use gasolina que haya estado guardada durante más de 60 días. Elimine la gasolina vieja de acuerdo con las normas federales, estatales y locales.
- Arranque el motor y déjelo funcionar hasta que se ahogue. Esto asegura que toda la gasolina se haya drenado del carburador.
- Deje enfriar el motor. Saque la bujía de encendido y coloque 5 gotas de aceite de motor de buena calidad en el cilindro. Tire de la cuerda de arranque lentamente para distribuir el aceite. Vuelva a instalar la bujía de encendido.

**NOTA:** Saque la bujía de encendido y drene todo el aceite del cilindro antes de intentar usar el recortador de bordes luego de haber estado guardado.

- Cambie el aceite. Lea Cambio del Aceite. Elimine el aceite viejo de acuerdo con las normas federales, estatales y locales.
- Limpie bien la unidad y verifique que no existan partes flojas ni dañadas. Repare o cambie las partes dañadas y ajuste los tornillos, las tuercas o los pernos que estén flojos. La unidad está lista para ser guardada.

### TRANSPORTE

- Deje enfriar el motor antes de transportar la unidad.
- Asegure la unidad durante su transporte.
- Drene el tanque de gasolina antes de transportar la unidad.
- Ajuste la tapa de la gasolina antes de transportar la unidad.



**PRECAUCIÓN:** No limpie con chorro de arena, ni raspe ni limpie los electrodos. El motor podría dañarse si penetran pequeñas partículas en el cilindro.

## RESOLUCIÓN DE PROBLEMAS

### EL MOTOR NO ARRANCA

CAUSA	ACCIÓN
El tanque de combustible está vacío	Llene el tanque con combustible bien mezclado
La bombilla de cebado no fue oprimida lo suficiente	Oprima la bombilla de cebado total y lentamente de 10 veces
El combustible es viejo	Drene el tanque de gasolina y agregue combustible nueva
La bujía de encendido está arruinada	Cambie o limpie la bujía de encendido
Parachispas obstruido	Limpie o cambie el parachispas

### EL MOTOR NO FUNCIONA EN MINIMA

CAUSA	ACCIÓN
El filtro de aire está obstruido	Cambie o limpie el filtro de aire
El combustible es viejo	Drene el tanque de gasolina y agregue combustible nueva
El carburador no está ajustado en forma correcta	Ajuste según las instrucciones o lleve la unidad a un proveedor de servicio autorizado para hacer un ajuste de carburador

### EL MOTOR NO ACELERA

CAUSA	ACCIÓN
El combustible es viejo	Drene el tanque de gasolina y agregue combustible nueva
El carburador no está ajustado en forma correcta	Ajuste según las instrucciones o lleve la unidad a un proveedor de servicio autorizado para hacer un ajuste de carburador
El filtro de aire está sucio	Limpie o cambie el filtro de aire
Parachispas obstruido	Limpie o cambie el parachispas

### EL MOTOR NO TIENE SUFICIENTE POTENCIA

CAUSA	ACCIÓN
El combustible es viejo	Drene el tanque de gasolina y agregue combustible nueva
El carburador no está ajustado en forma correcta	Ajuste según las instrucciones o lleve la unidad a un proveedor de servicio autorizado para hacer un ajuste de carburador
La bujía de encendido está arruinada	Cambie o limpie la bujía de encendido
Parachispas obstruido	Limpie o cambie el parachispas

**Si necesita asistencia adicional, comuníquese con su proveedor de servicio autorizado.**

## ESPECIFICACIONES

### MOTOR\*

Tipo de motor	Enfriado por aire, 4 ciclos
Desplazamiento	32 cc (1.95 pulgadas cúbicas)
R.P.M. de operación	5.500–6.500 r.p.m.
R.P.M. de velocidad mínima	3.800–4.400 r.p.m.
Tipo de encendido	Electrónico
Interruptor de encendido	Interruptor oscilante
Huelgo de la válvula	0,076–0,152 mm (0,003–0,006 pulg)
Separación de la bujía de encendido	0,635 mm (0,025 pulg)
Lubricación	Aceite SAE 30
Capacidad de aceite del cárter del cigüeñal	90 ml (3,04 onzas)
Combustible	Sin plomo
Carburador	Diafragma, multiposicional
Arranque	Bobinado automático
Silenciador	Amortiguado con protección
Regulador	Retorno manual del resorte
Capacidad del tanque de combustible	591 ml (20 onzas)

\* Toda las especificaciones contenidas en este manual se basan en la información más reciente disponible en el momento de impresión del manual. Nos reservamos el derecho de hacer cambios en cualquier momento sin aviso previo.

# DECLARACIÓN DE GARANTÍA DE CONTROL DE EMISIONES EVAPORATIVAS DE LA EPA PARA CALIFORNIA

## Los Derechos y Obligaciones de Usted según la Garantía

El Consejo de Recursos del Aire (Air Resources Board) de California, la Agencia de Protección del Medio Ambiente (EPA) y Troy-Bilt Southwest Inc tienen el placer de explicar la garantía del sistema de control de emisiones en su motor "off-road" pequeño modelo del año 2007 y posterior. En California y los 49 estados, los nuevos motores "off-road" pequeños deben ser diseñados, construidos y equipados para que cumplan con las exigentes normas del Estado contra el "smog". Troy-Bilt debe garantizar el sistema de control de emisiones en el motor "off-road" pequeño de usted para los períodos de tiempo que se indican a continuación siempre y cuando no haya habido maltrato, negligencia o mantenimiento inadecuado de su motor "off-road" pequeño.

El sistema de usted de control de emisiones pudiera incluir piezas tales como el carburador o sistema de inyección de combustible, el sistema de encendido y el convertidor catalítico. También pudiera incluir mangueras, correas, conectores y otros conjuntos relacionados con las emisiones.

Cuando exista una condición que esté dentro de la garantía, Troy-Bilt reparará su motor "off-road" pequeño sin costo alguno para usted, incluyendo diagnóstico, piezas y mano de obra.

Los motores "off-road" pequeños del 2007 y posteriores están garantizados por dos años. Si alguna pieza de su motor relacionada con emisiones es defectuosa, Troy-Bilt la reparará o la reemplazará.

## Responsabilidades del Propietario según la Garantía

Como propietario del motor "off-road" pequeño, usted es responsable de realizar el mantenimiento requerido que se indica en su manual del operador. Troy-Bilt recomienda que usted conserve todos los recibos que cubren el mantenimiento de su motor "off-road" pequeño, pero Troy-Bilt no puede denegar la garantía solamente porque usted no tenga los recibos ni porque usted no pueda asegurar que se ha realizado todo el mantenimiento programado.

- Sin embargo, como propietario del motor "off-road" pequeño, usted deberá estar consciente de que Troy-Bilt pudiera denegarle cobertura de la garantía si su motor "off-road" pequeño o una pieza del mismo ha presentado fallas debido a maltrato, negligencia, mantenimiento inadecuado o modificaciones no aprobadas.
- Usted es responsable de presentar su motor "off-road" pequeño a un Centro de Servicio Autorizado por Troy-Bilt tan pronto se detecte el problema. Las reparaciones en garantía deberán terminarse en un período de tiempo razonable, no mayor de 30 días.

Si tiene alguna pregunta en relación con sus derechos y responsabilidades de acuerdo con su garantía, deberá llamar al **1-800-828-5500**.

## Cobertura de la Garantía del Fabricante

- El período de garantía comienza en la fecha en que se entrega el motor o el equipo al comprador del minorista.
- El fabricante garantiza al propietario inicial, y a cada comprador subsiguiente, por un período de dos años, que el motor no tiene defectos en los materiales ni la mano de obra que ocasionen la falla de una pieza garantizada.
- La reparación o el reemplazo de una pieza garantizada se realizará sin costo alguno para el propietario en un Centro de Servicio Autorizado por Troy-Bilt. Para conocer la ubicación más cercana comuníquese con Troy-Bilt llamando al **1-800-828-5500**.
- Cualquier pieza garantizada que no esté programada para reemplazo, según lo exige el mantenimiento, o que esté programada solamente para inspección regular a los efectos de "Reparar o Reemplazar Según sea Necesario" está garantizada por el período de garantía. Cualquier pieza garantizada que esté programada para reemplazo según lo exige el mantenimiento, estará garantizada por el período de tiempo hasta el primer punto de reemplazo programado para esa pieza.
- No se le cobrará al propietario por el trabajo de diagnóstico que lleve a la determinación de que una pieza garantizada está defectuosa, si el trabajo de diagnóstico se lleva a cabo en un Centro de Servicio Autorizado por Troy-Bilt.
- El fabricante es responsable de los daños a otros componentes del motor causados por la falla de una pieza garantizada que esté todavía en garantía.
- Las fallas ocasionadas debido a maltrato, negligencia o mantenimiento inadecuado no están cubiertas por esta garantía.
- El uso de accesorios o piezas modificadas puede ser motivo para desestimar una reclamación de garantía. El fabricante no es responsable de cubrir fallas de piezas garantizadas causadas por el uso de accesorios o piezas modificadas.
- Para presentar una reclamación, vaya a su Centro de Servicio Troy-Bilt Autorizado más cercano. Los servicios o reparación por motivo de garantía se realizarán en todos los Centros de Servicio Troy-Bilt Autorizados.
- Cualquier pieza de reemplazo aprobada por el fabricante se puede usar al realizar cualquier mantenimiento o reparación de piezas bajo garantía relacionadas con emisiones y se proporcionarán sin cargo alguno para el propietario. Cualquier pieza de reemplazo que sea equivalente en rendimiento o durabilidad se puede usar en mantenimiento o reparación sin garantía y no reducirá las obligaciones de garantía del fabricante.

## Lista de Piezas de Emisiones en Garantía

Los siguientes componentes se incluyen en la garantía del motor relacionada con emisiones: filtro de aire, carburador, cebador, tuberías de combustible, recuperación de combustible/filtro de combustible, módulo de encendido, bujía y silenciador.

# DECLARACIÓN DE GARANTÍA DE CONTROL DE EMISIONES EVAPORATIVAS PARA CALIFORNIA

## Los Derechos y Obligaciones de Usted según la Garantía

El Consejo de Recursos del Aire (Air Resources Board) de California y Troy-Bilt LLC (Troy-Bilt) tienen el placer de explicar la garantía del sistema de control de emisiones evaporativas en su motor "off-road" pequeño (tipo de equipo) modelo del año 2007 y posterior. En California, los nuevos equipos que usen motores "off-road" pequeños deben ser diseñados, contruidos y equipados para que cumplan con las exigentes normas del Estado contra el "smog". Troy-Bilt debe garantizar el sistema de control de emisiones evaporativas en su motor "off-road" Lawn & Garden (para el césped y el jardín) pequeño para el período que se indica a continuación siempre y cuando no haya habido maltrato, negligencia o mantenimiento inadecuado de su equipo.

Su sistema de control de emisiones evaporativas pudiera incluir piezas tales como: carburadores, tanques de combustible, tuberías de combustible, tapas de combustible, válvulas, recipientes, filtros, mangueras de vapor, abrazaderas, conectores y otros componentes relacionados. En el caso de los motores de 80 cc o menos, solamente el tanque de combustible está sujeto a los requisitos de la garantía de control de emisiones evaporativas de esta sección. El desplazamiento de su motor "off-road" pequeño es de menos de 80 cc.

## Cobertura de la Garantía del Fabricante

Este sistema de control de emisiones evaporativas está garantizado por dos años. Si cualquier pieza relacionada con las emisiones evaporativas de su equipo es defectuosa, la pieza será reparada o reemplazada por Troy-Bilt.

## Responsabilidades del Propietario según la Garantía

- Como propietario del motor "off-road" Lawn & Garden pequeño, usted es responsable de realizar el mantenimiento requerido que se indica en su manual de propietario. Troy-Bilt recomienda que usted conserve todos los recibos que cubren el mantenimiento de su Motor Lawn & Garden, pero Troy-Bilt no puede denegar la garantía solamente porque usted no tenga los recibos.
- Sin embargo, como propietario del motor "off-road" Lawn & Garden pequeño, usted deberá estar consciente de que Troy-Bilt pudiera denegar la cobertura de la garantía si su tanque de combustible ha presentado fallas debido a maltrato, negligencia, mantenimiento inadecuado o modificaciones no aprobadas.
- Usted es responsable de presentar su tanque de combustible Lawn & Garden al centro de distribución o al centro de servicio de Troy-Bilt tan pronto se detecte el problema. Las reparaciones en garantía deberán terminarse en un período de tiempo razonable, no mayor de 30 días. Si tiene alguna pregunta en relación con la cobertura de su garantía, deberá comunicarse con Troy-Bilt llamando al **1-800-828-5500**.

## Requisitos de la Garantía por Defectos

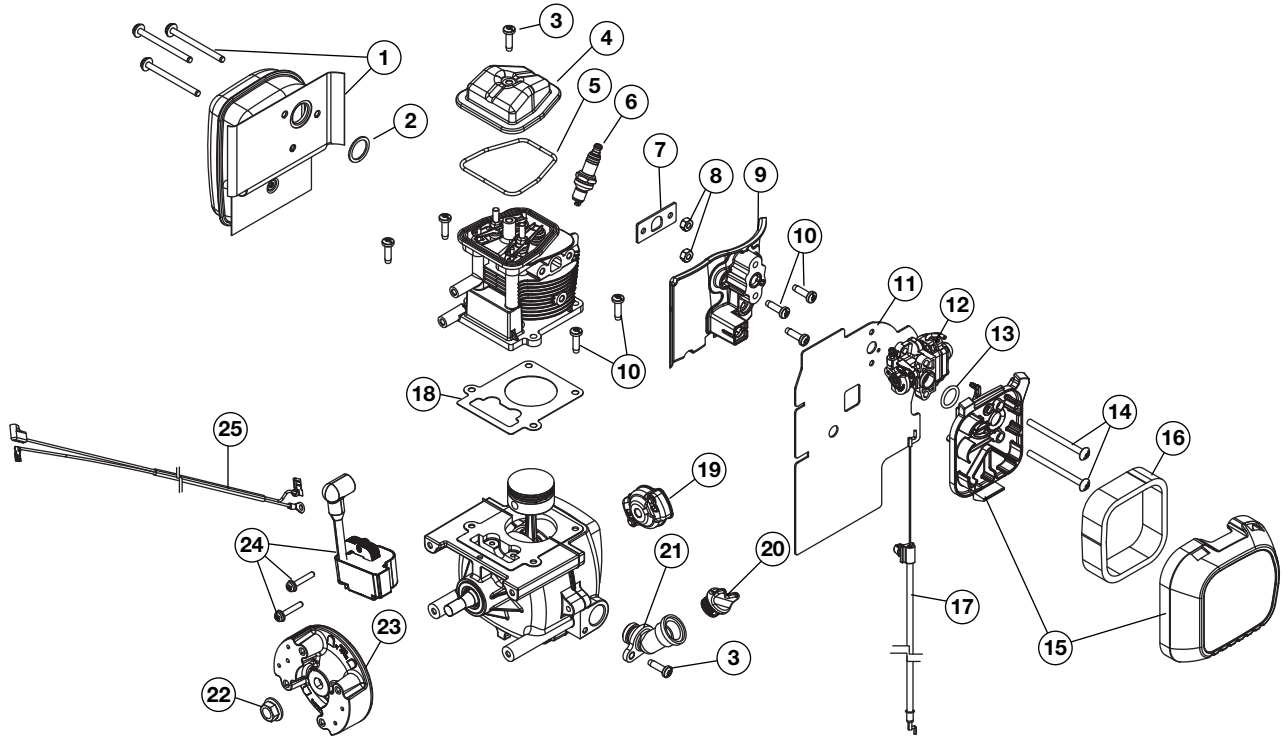
- (a) El período de garantía comienza en la fecha en que se entrega el motor o el equipo a un comprador final.
- (b) Cobertura General de la Garantía de Emisiones Evaporativas. El tanque de combustible debe estar garantizado al comprador final y a cualquier propietario posterior en cuanto a que cuando se instaló el sistema de control de emisiones evaporativas estaba:
  - (1) Diseñado, construido y equipado de forma tal que cumplía con todas las regulaciones aplicables; y
  - (2) Sin defectos en los materiales ni la mano de obra que ocasionen la falla de una pieza garantizada durante un período de dos años.
- (c) La garantía de las piezas relacionadas con las emisiones evaporativas será interpretada como sigue:
  - (1) Cualquier pieza garantizada que no esté programada para reemplazo según requiere el mantenimiento en las instrucciones por escrito, debe estar garantizada por el período de garantía definido en la subsección (b)(2). Si alguna de esas piezas falla durante el período de cobertura de la garantía, debe ser reparada o reemplazada por Troy-Bilt. Cualquier pieza reparada o reemplazada bajo la garantía debe estar garantizada por un tiempo no menor que el período de garantía restante.
  - (2) Cualquier pieza garantizada que en las instrucciones por escrito esté programada solamente para inspección regular, debe estar garantizada por el período de garantía definido en la subsección (b)(2). Una declaración en dichas instrucciones por escrito al efecto de "reparar o reemplazar según sea necesario" no reducirá el período de cobertura de la garantía. Cualquier pieza reparada o reemplazada bajo la garantía debe estar garantizada por un tiempo no menor que el período de garantía restante.
  - (3) Cualquier pieza garantizada que esté programada para reemplazo, según exige el mantenimiento en las instrucciones por escrito, debe estar garantizada por el período de tiempo anterior al primer punto de reemplazo programado para esa pieza. Si la pieza falla antes del primer reemplazo programado, la pieza debe ser reparada o reemplazada por Troy-Bilt. Cualquier pieza reparada o reemplazada bajo la garantía debe estar garantizada por un tiempo no menor que lo que resta del período anterior al primer punto de reemplazo programado para esa pieza.
  - (4) La reparación o el reemplazo de cualquier pieza garantizada bajo las disposiciones de garantía de este artículo se debe realizar sin costo alguno para el propietario en una estación donde se hagan trabajos de garantía.
  - (5) Independientemente de las disposiciones de la subsección (4) anterior, los servicios o reparaciones en garantía se deben proporcionar en centros de distribución que estén franquiciados para prestar servicios a los motores o equipos en cuestión.
  - (6) No se debe cobrar al propietario por el trabajo de diagnóstico para determinar que una pieza garantizada está realmente defectuosa, siempre y cuando dicho trabajo de diagnóstico se lleve a cabo en una estación donde se hagan trabajos de garantía.
  - (7) Durante el período de garantía del sistema de control de emisiones evaporativas establecido en la subsección (b)(2), Troy-Bilt debe mantener un suministro de piezas garantizadas suficiente para satisfacer la demanda esperada de dichas piezas.
  - (8) Al realizar cualquier mantenimiento o reparación en garantía se deben usar piezas de reemplazo aprobadas por el fabricante y se deben proporcionar sin cargo alguno para el propietario. Tal uso no reducirá las obligaciones de garantía del fabricante que emite la garantía.
  - (9) El uso de cualquier accesorio o pieza modificada será motivo para desestimar una reclamación de garantía hecha en conformidad con este artículo. El fabricante que emite la garantía no será responsable, según este Artículo, de garantizar fallas de piezas garantizadas causadas por el uso de un accesorio o una pieza modificada.
  - (10) Troy-Bilt proporcionará los documentos que describen los procedimientos o normas de la garantía, en un plazo de cinco días hábiles desde que los solicite el Consejo de Recursos del Aire.

## Lista de Piezas de Emisiones en Garantía

- (1) Tanque de Combustible

Con cada motor o equipo nuevo se proporcionarán instrucciones por escrito para el mantenimiento y uso del sistema de control de emisiones evaporativas por parte del propietario.

**REPLACEMENT PARTS - MODEL TB4BP  
4-CYCLE GAS BACKPACK BLOWER**

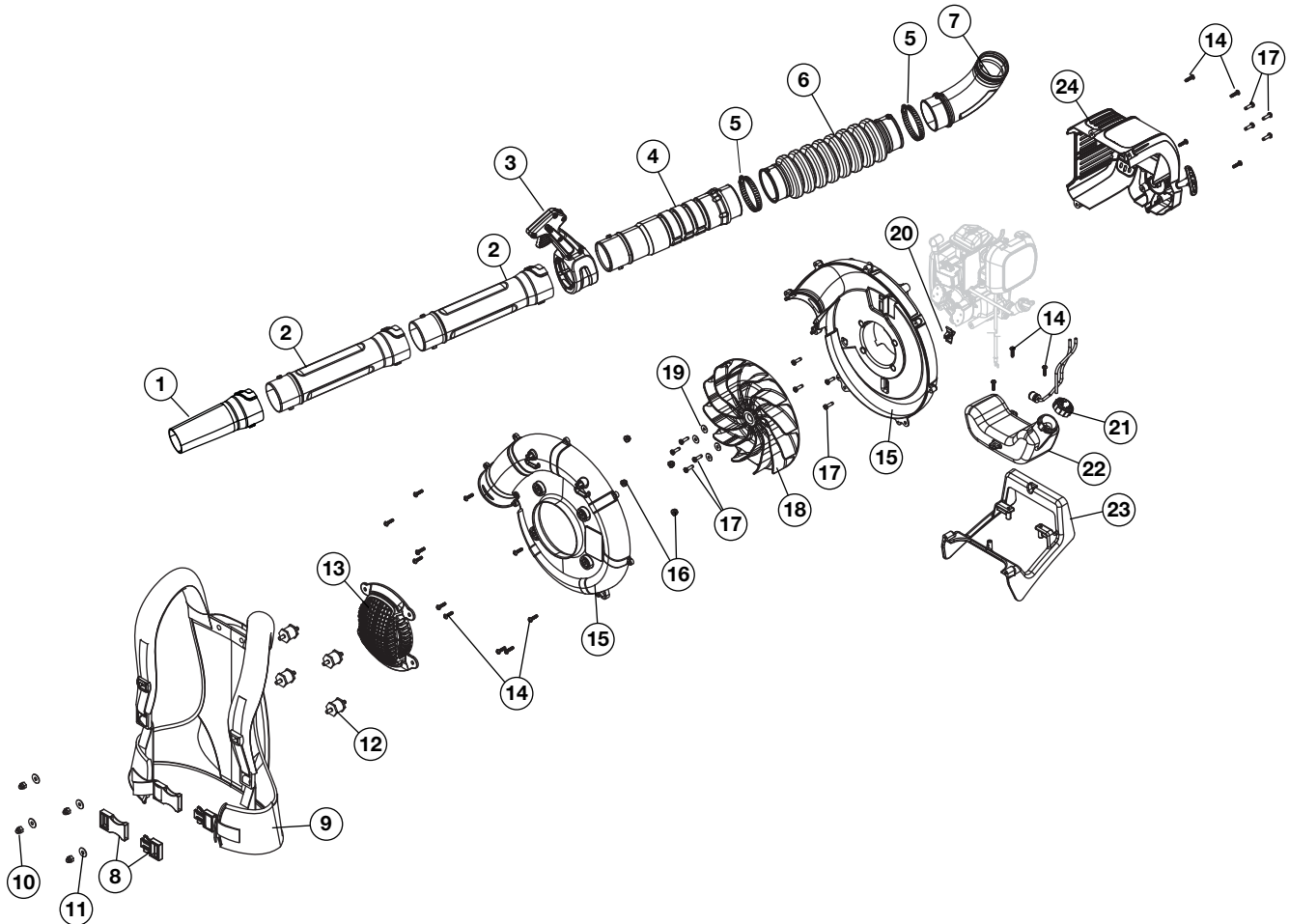


Item	Part No.	Description
1	753-05669	Muffler Assembly (includes 2)
2	753-05670	Muffler Gasket
3	753-05377	Screw
4	753-05671	Rocker Cover
5	753-05672	Rocker Cover O-Ring
6	753-05255	Spark Plug
7	753-05673	Insulator Gasket
8	753-05248	Nut
9	753-05674	Insulator
10	791-181003	Screw
11	753-05675	Carburetor Gasket
12	753-05676	Carburetor
13	791-181751	Carburetor O-Ring
14	753-05253	Screw
15	753-05711	Air Cleaner Assembly (includes 16)
16	753-05677	Air Filter
17	753-05679	Throttle Cable

Item	Part No.	Description
18	753-05681	Cylinder Gasket
19	753-05635	Pawl Assembly
20	753-05400	Oil Plug
21	753-05682	Oil Fill Tube (includes 3)
22	753-05687	Nut
23	753-05688	Flywheel Assembly
24	753-05243	Module Assembly
25	753-05690	Lead Wire
*	753-05694	Short Block Assembly
*	753-05696	Spark Arrestor

**PARTS LIST**

**REPLACEMENT PARTS - MODEL TB4BP  
4-CYCLE GAS BACKPACK BLOWER**



Item	Part No.	Description
1	753-05637	Nozzle
2	753-05638	Lower Blower Tube
3	753-05652	Throttle Grip Assembly
4	753-05639	Upper Blower Tube
5	753-05640	Clamp
6	753-05641	Flex Tube
7	753-05642	Elbow Tube
8	753-05655	Waist Support Clip
9	753-05656	Suspension System (includes 8)
10	753-05647	Nut
11	753-05646	Spacer
12	753-05648	Insulator Mount

Item	Part No.	Description
13	753-05649	Intake Cover
14	753-04595	Screw
15	753-05658	Impeller Housing Assembly
16	791-180050	Nut
17	791-181003	Screw
18	753-05657	Impeller (includes 17)
19	791-182409	Washer
20	753-05661	Throttle Retaining Clip
21	753-05289	Fuel Cap
22	753-05662	Fuel Tank Assembly (includes 21)
23	753-05663	Stand
24	753-05660	Engine Cover Assembly

# GARANTÍA LIMITADA DEL FABRICANTE PARA:



Troy-Bilt LLC (Troy-Bilt) concede la garantía limitada establecida debajo para mercancías nuevas que sean compradas y usadas en los Estados Unidos, sus posesiones y territorios.

Troy-Bilt garantiza este producto contra defectos en el material y la mano de obra durante un período de dos (2) años, a partir de la fecha de compra original y a su entera discreción, arreglará o substituirá sin costo alguno cualquier pieza cuyo material o mano de obra se considere defectuoso. Esta garantía limitada se deberá aplicar únicamente si este producto ha sido manejado y mantenido de acuerdo al Manual del Operario incluido con el producto y, si no ha sido sometido a mal uso, abuso, uso comercial, negligencia, accidente, mantenimiento inapropiado, alteración, vandalismo, hurto, fuego, agua o daños debidos a otros riesgos o desastre natural. Los daños ocasionados por la instalación o el uso de cualquier accesorio o aditamento que no esté aprobado por Troy-Bilt y que sea usado con el (los) producto(s) contemplados en este manual, anularán la garantía con respecto a cualquier daño resultante. Esta garantía está limitada a noventa (90) días a partir de la fecha de compra original al detalle de cualquier producto Troy-Bilt que se use para alquiler, para propósitos comerciales o cualquier otro propósito que genere ingresos.

**CÓMO OBTENER SERVICIO:** El servicio de garantía está disponible A TRAVÉS DE SU DISTRIBUIDOR DE SERVICIO LOCAL AUTORIZADO, AL PRESENTAR EL COMPROBANTE DE COMPRA. Para localizar al distribuidor en su área, visite nuestro sitio en Internet en [www.troybilt.com](http://www.troybilt.com), busque el aviso clasificado en las Páginas Amarillas, llame al **1-800-828-5500** en EE.UU. o al **1-800-668-1238** en Canada, o escriba a Troy-Bilt LLC, PO Box 361131, Cleveland, OH 44136-0019.

**Esta garantía limitada no ofrece cobertura en los siguientes casos:**

- A. Sincronizaciones - bujías, ajustes de carburadores, filtros.
  - B. Artículos de desgaste, perillas percusivas, carretes externos, línea de corte, carretes internos, polea de arranque, cuerdas de arranque, correas motoras.
  - C. Troy-Bilt no le ofrece ninguna garantía a los productos que sean vendidos o exportados fuera de los Estados Unidos de América, sus posesiones y territorios, excepto aquellos que se vendan a través de los canales de distribución para exportación autorizados por Troy-Bilt.
- Troy-Bilt se reserva el derecho a cambiar o mejorar el diseño de cualquier producto Troy-Bilt, sin adoptar ninguna obligación para modificar cualquier producto fabricado con anterioridad.

**Ninguna garantía implícita es aplicable después del período de aplicabilidad de la garantía expresa escrita con anterioridad, incluyendo cualquier garantía implícita de comerciabilidad o idoneidad para un propósito particular con respecto a las piezas identificadas. Exceptuando lo mencionado anteriormente, ninguna otra garantía expresa bien sea escrita o verbal con respecto a cualquier producto que sea concedida por cualquier persona o entidad, incluyendo al distribuidor o minorista, deberá comprometer a Troy-Bilt durante el período de la Garantía, el remedio exclusivo es el arreglo o la sustitución del producto según lo establecido anteriormente. (Algunos estados no permiten limitaciones en cuanto al período de duración de una garantía implícita, de manera que puede que la limitación anterior no sea aplicable en su caso.)**

**Las estipulaciones establecidas en esta Garantía ofrecen la solución única y exclusiva que resulte de las ventas. Troy-Bilt no deberá ser responsable de pérdidas o daños incidentales o consecuentes que incluyan, sin limitación, gastos incurridos debido a la sustitución de servicios de mantenimiento de prados, transporte o gastos relacionados, o gastos de alquiler para reemplazar temporalmente un producto bajo garantía. (Algunos estados no permiten limitaciones en cuanto al período de duración de una garantía implícita, de manera que puede que la limitación anterior no sea aplicable en su caso.)**

Ningún tipo de recuperación deberá ser superior al precio de compra del producto vendido, en ningún caso. La alteración de las características de seguridad del producto deberá anular esta Garantía. Usted adopta el riesgo y la obligación de la pérdida, daño o lesión en su persona o a su propiedad y/o la de otras personas y sus propiedades, que se origine a raíz del uso o mal uso, o la incompetencia para usar el producto.

Esta garantía limitada no deberá cubrir a ninguna otra persona distinta al comprador original, arrendatario original, o la persona para la cual se compró en calidad de regalo.

Relación de las leyes estatales con esta Garantía: Esta garantía le confiere derechos legales específicos, y puede que usted también tenga otros derechos, los cuales varían en cada estado.

Para localizar al distribuidor de servicio local más cercano, marque el número **1-800-828-5500** en EE.UU. o al **1-800-668-1238** en Canada.

**Troy-Bilt LLC**  
PO Box 361131  
Cleveland, OH 44136-0019