



# Operator's Manual

## 4-Cycle Gasoline Trimmer TB575SS & TB525CS

### SAVE THESE INSTRUCTIONS

For service call **1-800-520-5520** to obtain a list of authorized service dealers near you. For more details about your unit, visit our website at [www.troybilt.com](http://www.troybilt.com).

**DO NOT RETURN THE UNIT TO THE RETAILER. PROOF OF PURCHASE WILL BE REQUIRED FOR WARRANTY SERVICE.**



THIS PRODUCT IS COVERED BY ONE OR MORE U.S. PATENTS. OTHER PATENTS PENDING.

Service on this unit both within and after the warranty period should be performed only by an authorized and approved service dealer.

#### SPARK ARRESTOR NOTE

**NOTE:** For users on U.S. Forest Land and in the states of California, Maine, Oregon and Washington. All U.S. Forest Land and the state of California (Public Resources Codes 4442 and 4443), Oregon and Washington require, by law that certain internal combustion engines operated on forest brush and/or grass-covered areas be equipped with a spark arrestor, maintained in effective working order, or the engine be constructed, equipped and maintained for the prevention of fire. Check with your state or local authorities for regulations pertaining to these requirements. Failure to follow these requirements could subject you to liability or a fine. **This unit is factory equipped with a spark arrestor.** If it requires replacement, ask your LOCAL SERVICE DEALER to install the **Accessory Part #753-05297 Spark Arrestor Kit.**

#### CALIFORNIA PROPOSITION 65 WARNING

	<b>WARNING</b>	
<b>THE ENGINE EXHAUST FROM THIS PRODUCT CONTAINS CHEMICALS KNOWN TO THE STATE OF CALIFORNIA TO CAUSE CANCER, BIRTH DEFECTS OR OTHER REPRODUCTIVE HARM.</b>		

All information, illustrations, and specifications in this manual are based on the latest product information available at the time of printing. We reserve the right to make changes at any time without notice.

Copyright© 2005 MTD SOUTHWEST INC, All Rights Reserved.



#### TABLE OF CONTENTS

Service Information	1
Rules for Safe Operation	2
Know Your Unit	3
Assembly Instructions	3
Oil and Fuel Information	4
Starting/Stopping Instructions	5
Operating Instructions	6
Maintenance and Repair Instructions	8
Cleaning and Storage	13
Troubleshooting Chart	14
Specifications	15
Warranty Information	17
Parts List	E18



**WARNING:** When using the unit, you must follow the safety rules. Please read these instructions before operating the unit in order to ensure the safety of the operator and any bystanders. Please keep these instructions for later use.

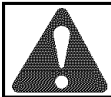
## RULES FOR SAFE OPERATION

### • IMPORTANT SAFETY INSTRUCTIONS •

#### READ ALL INSTRUCTIONS BEFORE OPERATING

- Read the instructions carefully. Be familiar with the controls and proper use of the unit.
- Do not operate this unit when tired, ill, or under the influence of alcohol, drugs, or medication.
- Children and teens under the age of 15 must not use the unit, except for teens guided by an adult.
- All guards and safety attachments must be installed properly before operating the unit.
- Inspect the unit before use. Replace damaged parts. Check for fuel leaks. Make sure all fasteners are in place and secure. Replace parts that are cracked, chipped, or damaged in any way. Do not operate the unit with loose or damaged parts.
- Carefully inspect the area before starting the unit. Remove all debris and hard or sharp objects such as glass, wire, etc.
- Be aware of the risk of injury to the head, hands and feet.
- Clear the area of children, bystanders, and pets. At a minimum, keep all children, bystanders, and pets outside a 50 feet (15 m.) radius; there still may be a risk to bystanders from thrown objects. Bystanders should be encouraged to wear eye protection. If you are approached, stop the unit immediately.
- Use only 0.095 inch, 2.41 mm diameter original equipment manufacturer replacement line. Never use metal-reinforced line, wire or rope. These can break off and become dangerous projectiles.
- Squeeze the throttle control and check that it returns automatically to the idle position. Make all adjustments or repairs before using unit.

#### SAFETY WARNINGS FOR GAS UNITS



**WARNING:** Gasoline is highly flammable, and its vapors can explode if ignited. Take the following precautions:

- Store fuel only in containers specifically designed and approved for the storage of such materials.
- Avoid creating a source of ignition for spilled fuel. Do not start the engine until fuel vapors dissipate.
- Always stop the engine and allow it to cool before filling the fuel tank. Never remove the fuel tank cap or add fuel when the engine is hot. Never operate the unit without the fuel cap securely in place. Loosen the fuel tank cap slowly to relieve any pressure in the tank.
- Add fuel in a clean, well-ventilated outdoor area where there are no sparks or flames. Remove the fuel cap slowly, and only after the engine stops. Do not smoke while fueling. Wipe up any spilled fuel from the unit immediately.
- Avoid creating a source of ignition for spilled fuel. Do not start the engine until fuel vapors dissipate.
- Move the unit at least 30 feet (9.1 m) from the fueling source and site before starting the engine. Do not smoke. Keep sparks and open flames away from the area while adding fuel or operating the unit.

#### WHILE OPERATING

- Never start or run the unit inside a closed room or building. Breathing exhaust fumes can be fatal. Operate this unit only in a well-ventilated outdoor area.
- Wear safety glasses or goggles that meet ANSI Z87.1 standards and are marked as such. Wear ear/hearing protection when operating this unit. Wear a face or dust mask if the operation is dusty.
- Wear heavy long pants, boots, gloves and a long sleeve shirt. Do not wear loose clothing, jewelry, short pants, sandals or go barefoot. Secure hair above shoulder level.
- The cutting attachment shield must always be in place while operating the unit as a trimmer. Do not operate unit without both trimming lines extended, and the proper line installed. Do not extend the trimming line beyond the length of the

shield.

- This unit has a clutch. The cutting attachment remains stationary when the engine is idling. If it does not, have the unit adjusted by an authorized service technician.
- Adjust the handle to your size in order to provide the best grip.
- Be sure the cutting attachment is not in contact with anything before starting the unit.
- Use the unit only in daylight or good artificial light.
- Avoid accidental starting. Be in the starting position whenever pulling the starter rope. The operator and unit must be in a stable position while starting. Refer to Starting/Stopping Instructions.
- Use the right tool. Only use this tool for its intended purpose.
- Do not overreach. Always keep proper footing and balance.
- Always hold the unit with both hands when operating. Keep a firm grip on both handles or grips.
- Keep hands, face, and feet at a distance from all moving parts. Do not touch or try to stop the cutting attachment when it rotates.
- Do not touch the engine, gear housing or muffler. These parts get extremely hot from operation, even after the unit is turned off.
- Do not operate the engine faster than the speed needed to cut, trim or edge. Do not run the engine at high speed when not cutting.
- Always stop the engine when cutting is delayed or when walking from one cutting location to another.
- If you strike or become entangled with a foreign object, stop the engine immediately and check for damage. Do not operate before repairing damage. Do not operate the unit with loose or damaged parts.
- Stop the unit, switch the engine to off, and disconnect the spark plug for maintenance or repair.
- Use only original equipment manufacturer replacement parts and accessories for this unit. These are available from your authorized service dealer. Use of any unauthorized parts or accessories could lead to serious injury to the user, or damage to the unit, and void your warranty.
- Keep unit clean of vegetation and other materials. They may become lodged between the cutting attachment and shield.
- To reduce fire hazard, replace a faulty muffler and spark arrestor. Keep the engine and muffler free from grass, leaves, excessive grease or carbon build up.

#### After Use

- Clean cutting blades with a household cleaner to remove any gum buildup. Oil the blade with machine oil to prevent rust.
- Lock up and store the cutting blade in an appropriate area to protect the blade from unauthorized use or damage.

#### OTHER SAFETY WARNINGS

- Never store a fueled unit inside a building where fumes may reach an open flame or spark.
- Allow the engine to cool before storing or transporting. Be sure to secure the unit while transporting.
- Store the unit in a dry area, locked up or up high to prevent unauthorized use or damage, out of the reach of children.
- Never douse or squirt the unit with water or any other liquid. Keep handles dry, clean and free from debris. Clean after each use, see Cleaning and Storage instructions.
- Keep these instructions. Refer to them often and use them to instruct other users. If you loan someone this unit, also loan them these instructions.

**SAVE THESE INSTRUCTIONS**

## RULES FOR SAFE OPERATION

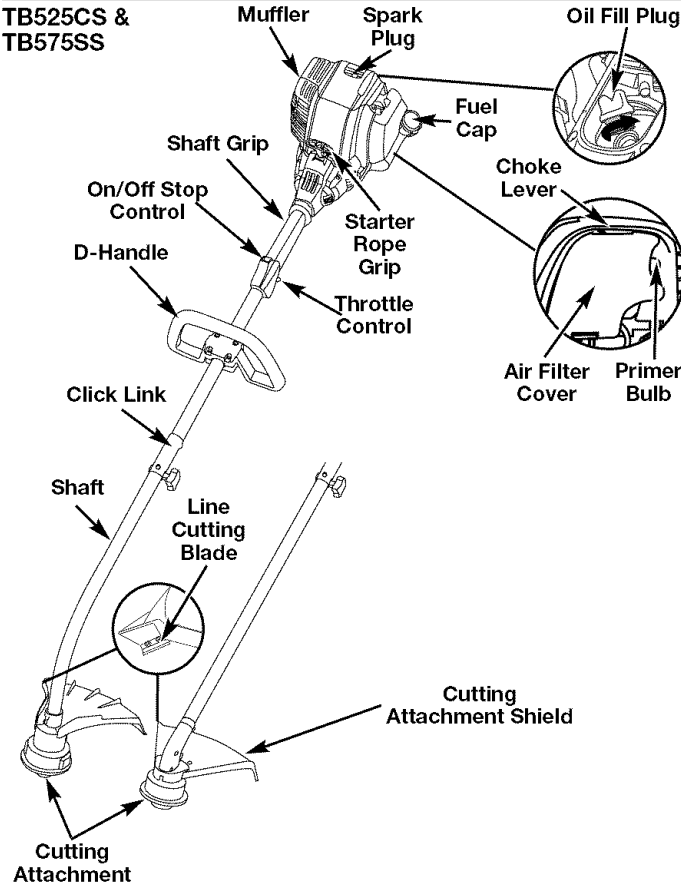
### SAFETY AND INTERNATIONAL SYMBOLS

This operator's manual describes safety and international symbols and pictographs that may appear on this product. Read the operator's manual for complete safety, assembly, operating and maintenance and repair information.

SYMBOL	MEANING
	<ul style="list-style-type: none"> <li><b>SAFETY ALERT SYMBOL</b></li> </ul> <p>Indicates danger, warning or caution. May be used in conjunction with other symbols or pictographs.</p>
	<ul style="list-style-type: none"> <li><b>WARNING - READ OPERATOR'S MANUAL</b></li> </ul> <p>Read the operator's manual(s) and follow all warnings and safety instructions. Failure to do so can result in serious injury to the operator and/or bystanders.</p>
	<ul style="list-style-type: none"> <li><b>WEAR EYE AND HEARING PROTECTION</b></li> </ul> <p><b>WARNING:</b> Thrown objects and loud noise can cause severe eye injury and hearing loss. Wear eye protection meeting ANSI Z87.1 standards and ear protection when operating this unit. Use a full face shield when needed.</p>
	<ul style="list-style-type: none"> <li><b>HOT SURFACE WARNING</b></li> </ul> <p>Do not touch a hot muffler, gear housing or cylinder. You may get burned. These parts get extremely hot from operation. They remain hot for a short time after the unit is turned off.</p>
	<ul style="list-style-type: none"> <li><b>UNLEADED FUEL</b></li> </ul> <p>Always use clean, fresh unleaded fuel</p>
	<ul style="list-style-type: none"> <li><b>OIL</b></li> </ul> <p>Refer to operator's manual for the proper type of oil.</p>

SYMBOL	MEANING
	<ul style="list-style-type: none"> <li><b>KEEP BYSTANDERS AWAY</b></li> </ul> <p><b>WARNING:</b> Keep all bystanders, especially children and pets, at least 50 feet (15 m) from the operating area.</p>
	<ul style="list-style-type: none"> <li><b>CHOKE CONTROL</b></li> </ul> <ol style="list-style-type: none"> <li><b>FULL</b> choke position</li> <li><b>PARTIAL</b> choke position</li> <li><b>RUN</b> choke position</li> </ol>
	<ul style="list-style-type: none"> <li><b>THROWN OBJECTS AND ROTATING CUTTER CAN CAUSE SEVERE INJURY</b></li> </ul> <p><b>WARNING:</b> Do not operate without the cutting attachment shield in place. Keep away from the rotating cutting attachment.</p>
	<ul style="list-style-type: none"> <li><b>SHARP BLADE</b></li> </ul> <p><b>WARNING:</b> Sharp blade on cutting attachment shield. To prevent serious injury, do not touch the line cutting blade.</p>
	<ul style="list-style-type: none"> <li><b>ON/OFF STOP CONTROL</b></li> </ul> <p>ON / START / RUN</p>
	<ul style="list-style-type: none"> <li><b>ON/OFF STOP CONTROL</b></li> </ul> <p>OFF or STOP</p>

### KNOW YOUR UNIT



### ASSEMBLY INSTRUCTIONS

#### INSTALLING AND ADJUSTING THE D-HANDLE

If your unit has the D-Handle pre-installed, please follow the "To Adjust" instructions only.

##### To Install

- Remove the screws and bottom clamp piece that were installed on the D-handle for shipping.
- Place the D-handle over the shaft housing and onto the bottom clamp (Fig. 1). Place it a minimum of 15.24 cm (6 in) from the end of the shaft grip.

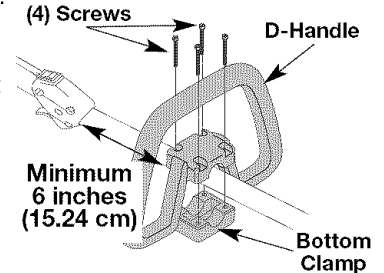


Fig. 1

- Start screws with a large Flat-head or T-25 Torx screwdriver. Do not tighten until you make the handle adjustment.

##### To Adjust

- If the D-handle was pre-installed, loosen the screws on the handle just enough to move it.
- While holding the unit in the operating position, maneuver the D-handle to the location that provides you the best grip (Fig. 12).
- Tighten the clamp screws evenly, until the D-handle is secure.

## OIL AND FUEL INFORMATION



**WARNING:** To avoid serious personal injury, the cutting attachment shield **MUST** be in place at all times while operating the unit as a trimmer.



**WARNING:** OVERFILLING OIL CRANKCASE MAY CAUSE SERIOUS PERSONAL INJURY. Check and maintain the proper oil level in the crank case; it is important and cannot be overemphasized. Check the oil before each use and change it as needed. See *Changing the Oil*.

### RECOMMENDED OIL TYPE

Using the proper type and weight of oil in the crankcase is extremely important. Check the oil before each use and change the oil regularly. Failure to use the correct oil, or using dirty oil, can cause premature engine wear and failure.

Use a high-quality SAE 30 weight oil of API (American Petroleum Institute) service class SF, SG, SH.

### ADDING OIL TO CRANKCASE: INITIAL USE

**NOTE:** This unit is shipped without oil. In order to avoid damage to the unit, put oil in the crankcase before you attempt to start the unit.

Your unit is supplied with one 3.04 fluid oz. (90 ml.) bottle of SAE 30 SF, SG, SH oil (Fig. 2).

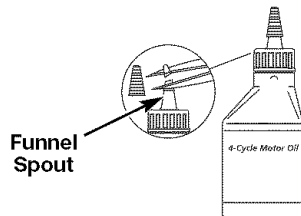


Fig. 2

**NOTE:** Save the bottle of oil. It can be used to measure the correct amount during future oil changes. See *Changing the Oil*.

1. Unscrew the top of the bottle of oil and remove the paper seal covering the opening. Replace the top. Next, cut the tip off the funnel spout (Fig. 2).
2. Tip unit so that the back of the engine is facing up in a vertical position.
3. Remove the oil fill plug from the crankcase (Fig. 3).
4. Pour the entire bottle of oil into the oil fill hole (Fig. 4).

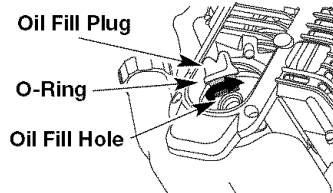


Fig. 3

**NOTE:** Never add oil to the fuel or fuel tank.

5. Wipe up any oil that may have spilled and reinstall the oil fill plug.

Check oil before each use and change as needed. Refer to *Checking the Oil Level*.

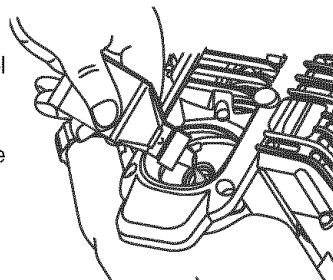


Fig. 4

### RECOMMENDED FUEL TYPE

Old fuel is the primary reason for improper unit performance. Be sure to use fresh, clean, unleaded gasoline.

**NOTE:** This is a four cycle engine. In order to avoid damage to the unit, **do not mix oil with gasoline**.

### Definition of Blended Fuels

Today's fuels are often a blend of gasoline and oxygenates such as ethanol, methanol or MTBE (ether). Alcohol-blended fuel absorbs water. As little as 1% water in the fuel can make fuel and oil separate or form acids when stored. Use fresh fuel (less than 60 days old), when using alcohol-blended fuel.

### Using Blended Fuels

If you choose to use a blended fuel, or its use is unavoidable, follow recommended precautions:

- Always use fresh unleaded gasoline
- Use the fuel additive STA-BIL® or an equivalent
- Drain tank and run the engine dry before storing unit

### Using Fuel Additives



**WARNING:** Add fuel in a clean, well ventilated outdoor area. Wipe up any spilled fuel immediately. Avoid creating a source of ignition for spilt fuel. Do not start the engine until fuel vapors dissipate.



**WARNING:** Gasoline is extremely flammable. Ignited vapors may explode. Always stop the engine and allow it to cool before filling the fuel tank. Do not smoke while filling the tank. Keep sparks and open flames at a distance from the area.

The use of fuel additives, such as STA-BIL® Gas Stabilizer or an equivalent, will inhibit corrosion and minimize the formation of gum deposits. Using a fuel additive can keep fuel from forming harmful deposits in the carburetor for up to six (6) months. Add 0.8 oz. (23 ml.) of fuel additive per gallon of fuel according to the instructions on the container. NEVER add fuel additives directly to the unit's gas tank.

### FUELING THE UNIT



**WARNING:** Remove fuel cap slowly to avoid injury from fuel spray. Never operate the unit without the fuel cap securely in place.

1. Remove the fuel cap (Fig. 5).
2. Place the gas container's spout into the fill hole on the fuel tank (Fig. 5) and fill the tank.

**NOTE:** Do not overfill the tank.

3. Wipe up any gasoline that may have spilled.
4. Reinstall the fuel cap.
5. Move the unit at least 30 ft. (9.1 m) from the fueling source and site before starting the engine.

**NOTE:** Dispose of the old gasoline in accordance to Federal, State and Local regulations.

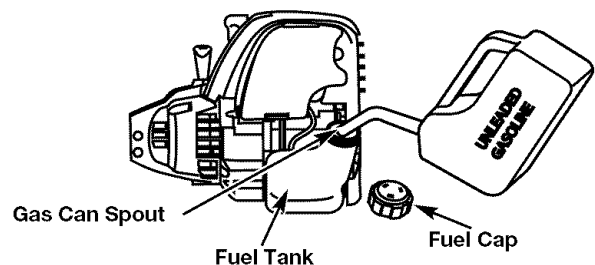


Fig. 5

## STARTING/STOPPING INSTRUCTIONS



**WARNING:** Operate this unit only in a well-ventilated outdoor area. Carbon monoxide exhaust fumes can be lethal in a confined area.



**WARNING:** Avoid accidental starting. Make sure you are in the starting position when pulling the starter rope (Fig. 8). To avoid serious injury, the operator and unit must be in a stable position while starting.  
To avoid serious personal injury, ensure any Add-On being used is installed correctly and secure before starting the unit.

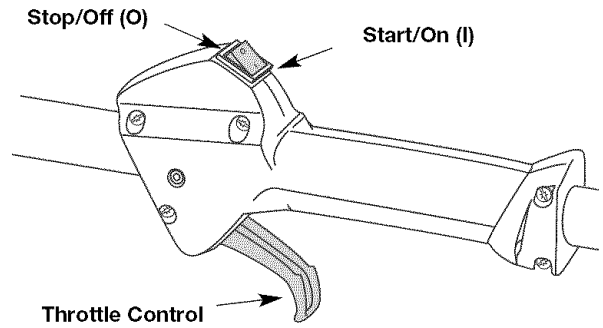


Fig. 6

### STARTING INSTRUCTIONS

1. Check the oil level in the crankcase. Refer to Checking the Oil Level.
2. Fill the fuel tank with fresh, clean unleaded gasoline. Refer to Fueling the Unit.
3. Make sure the On/Off Stop Control in the ON (I) position (Fig. 6).
4. Fully press and release the primer bulb 10 times, slowly. Some amount of **fuel should be visible in the primer bulb and fuel lines** (Fig. 7). If you can't see fuel in the bulb, press and release the bulb as many times as it takes before you can see fuel in it.
5. Place the choke lever in **Position 1** (Fig. 7).
6. Crouch in the starting position (Fig. 8). Squeeze the throttle control lever. Pull the starter rope briskly 5 times.
7. Place the choke lever in **Position 2** (Fig. 7).
8. While squeezing the throttle control, pull the starter rope briskly 1 to 4 times to start the engine.
9. Keep the throttle squeezed and allow the engine to warm up for 15 to 30 seconds.
10. Place the choke lever in **Position 3** (Fig. 7). The unit is ready for use.

**IF...** The engine does not start, go back to step 4.

**IF...** The engine fails to start after a few attempts, place the choke lever in **Position 3** and squeeze the throttle control. Pull the starter rope briskly 3 to 8 times. The engine should start. If not, repeat.

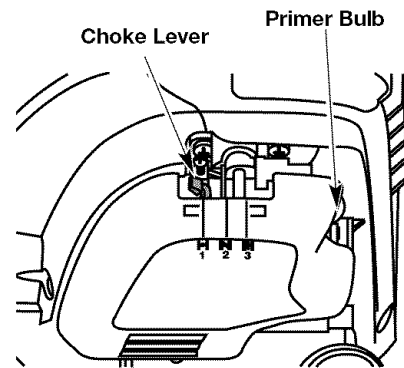


Fig. 7

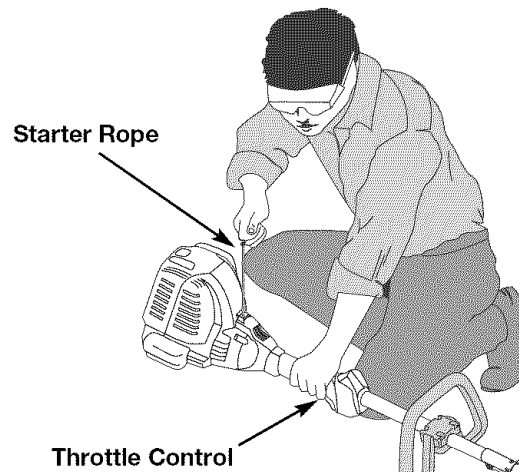


Fig. 8

### STOPPING INSTRUCTIONS

1. Release your hand from the throttle control. Allow the engine to cool down by idling.
2. Press the On/Off Stop Control switch in the OFF (O) position.

### APPLICATIONS

As a trimmer:

- Cutting grass and light weeds
- Edging
- Decorative trimming around trees, fences, etc.


## OPERATING INSTRUCTIONS

### OPERATING THE EZ-LINK™ SYSTEM

The EZ-Link™ system enables the use of these optional Add-Ons:

Cultivator .....	TBGC
Edger .....	TBLE
Hedge Trimmer .....	TBAH
Straight Shaft Trimmer .....	TBSS
Turbo Blower .....	TBTB
Pole Saw .....	TBPS
Brushcutter .....	TBBC*


\*Do NOT use this attachment with an electric powered unit.



**WARNING:** Before you begin using any attachment, read and understand the manual that came with the attachment. Follow all safety information contained within.

#### Removing the Cutting Attachment or Add-On

1. Turn the knob counterclockwise to loosen (Fig. 9).
2. Press and hold the release button (Fig. 9).
3. While firmly holding the upper shaft housing, pull the cutting attachment or add-on straight out of the EZ-Link™ coupler (Fig. 10).



**WARNING:** To avoid serious personal injury and damage to the unit, shut the unit off before removing or installing add-ons.

#### Installing the Cutting Attachment or Add-On

**NOTE:** Place the unit on the ground or on a work bench to make add-on installation or removal easier.

1. Turn knob counterclockwise to loosen (Fig. 9).

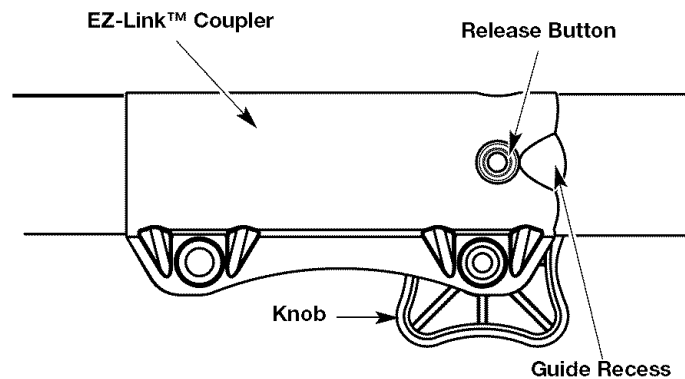


Fig. 9

2. While firmly holding the add-on, push it straight into the EZ-Link™ coupler (Fig. 10).

**NOTE:** Aligning the release button with the guide recess will help installation (Fig. 9).

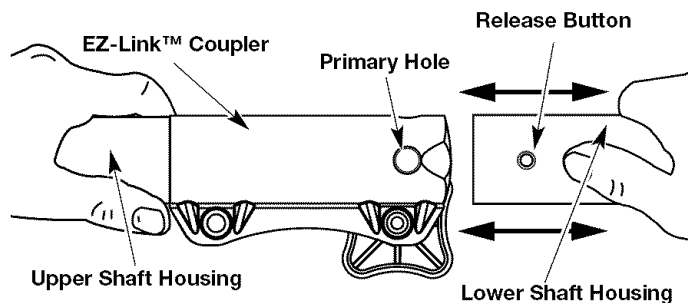



Fig. 10

3. Turn the knob clockwise to tighten (Fig. 11).



**CAUTION:** Lock the release button in the primary hole and securely tighten the knob before operating this unit.

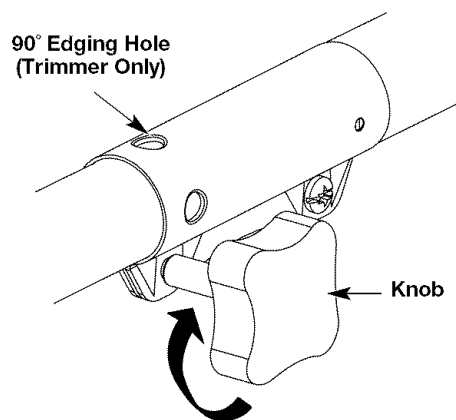



Fig. 11



**CAUTION:** Add-ons are to be used in the primary hole only. Using the wrong hole could lead to personal injury or damage to the unit.

For edging (when using the line head cutting attachment with EZ-Link™ models), lock the release button of the cutting attachment into the 90° edging hole (Fig. 11).

# OPERATING INSTRUCTIONS

## HOLDING THE TRIMMER



**WARNING:** Always wear eye, hearing, foot and body protection to reduce the risk of injury when operating this unit.

Before operating the unit, stand in the operating position (Fig. 12).

Check for the following:

- The operator is wearing eye protection and proper clothing
- With a slightly-bent right arm, the operator's right hand is holding the shaft grip
- The operator's left arm is straight, the left hand holding the assist handle
- The unit is at waist level
- The cutting attachment is parallel to the ground and easily contacts the grass without the need to bend over

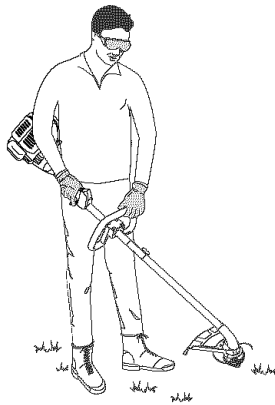


Fig. 12



**WARNING:** Do not remove or alter the line cutting blade assembly. Excessive line length will make the clutch overheat. This may lead to serious personal injury or damage to the unit.

## ADJUSTING TRIMMING LINE LENGTH

The Bump Head™ cutting attachment allows you to release trimming line without stopping the engine. To release more line, lightly tap the cutting attachment on the ground (Fig. 13) while operating the trimmer at high speed.

**NOTE:** Always keep the trimming line fully extended. Line release becomes more difficult as the cutting line becomes shorter.

Each time the head is bumped, about 1 inch (25.4 mm) of trimming line is released. A blade in the cutting attachment shield will cut the line to the proper length if excess line is released.

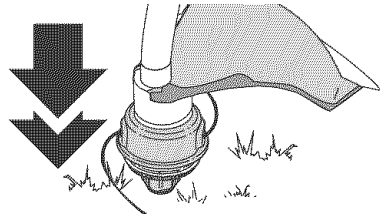


Fig. 13

For best results, tap the Bump Head™ on bare ground or hard soil. If line release is attempted in tall grass, the engine may stall. Always keep the trimming line fully extended. Line release becomes more difficult as the cutting line becomes shorter.

**NOTE:** Do not rest the Bump Head™ on the ground while the unit is running.

Some line breakage will occur from:

- Entanglement with foreign matter
- Normal line fatigue
- Attempting to cut thick, stalky weeds
- Forcing the line into objects such as walls or fence posts

## TIPS FOR BEST TRIMMING RESULTS

- For best trimming results, operate unit at full throttle.
- Keep the cutting attachment parallel to the ground.
- Do not force the cutting attachment. Allow the tip of the line to do the cutting, especially along walls. Cutting with more than the tip will reduce cutting efficiency and may overload the engine.
- Cut grass over 8 inches (200 mm) by working from top to bottom in small increments to avoid premature line wear or engine drag.
- Cutting from right to left improves the unit's cutting efficiency. Clippings are thrown away from the operator.
- Slowly move the trimmer into and out of the cutting area at the desired height. Move either in a forward-backward or side-to-side motion. Cutting shorter lengths produces the best results.
- Trim only when grass and weeds are dry.
- The life of your cutting line is dependent upon proper adherence of explained trimming techniques, what vegetation is cut, and where vegetation is cut.

For example, the line will wear faster when trimming against a foundation wall as opposed to trimming around a tree.

## DECORATIVE TRIMMING

Decorative trimming is accomplished by removing all vegetation around trees, posts, fences and more.

Rotate the whole unit so that the cutting attachment is at a 30° angle to the ground (Fig. 14).

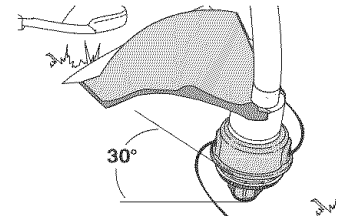


Fig. 14

## MAINTENANCE AND REPAIR INSTRUCTIONS



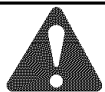
**WARNING:** To prevent serious injury, never perform maintenance or repairs with unit running. Always service and repair a cool unit. Disconnect the spark plug wire to ensure that the unit cannot start.

### MAINTENANCE SCHEDULE

Perform these required maintenance procedures at the frequency stated in the table. These procedures should also be a part of any seasonal tune-up.

**NOTE:** Some maintenance procedures may require special tools or skills. If you are unsure about these procedures take your unit to any non-road engine repair establishment, individual or authorized service dealer.

FREQUENCY	MAINTENANCE REQUIRED	SEE
Before starting engine	Fill fuel tank with fresh fuel Check oil	p. 4 p. 9
Every 10 hours	Clean and re-oil air filter	p. 10
1st change at 10 hours 2nd change at 25 hours Every 25 hours after	Change oil Change oil Clean spark arrestor	p. 10 p. 10 p. 13
10 hours on new engine	Check rocker arm to valve clearance and adjust	p. 11
Every 25 hours	Check rocker arm to valve clearance and adjust	p. 11
Every 25 hours	Check spark plug condition and gap	p. 12



**WARNING:** Never use metal-reinforced line, wire, chain or rope. These can break off and become dangerous projectiles.

### SPEEDPOOL® LINE INSTALLATION

Always use original equipment manufacturer 0.095 inch (2.41 mm) replacement line. Lines other than those specified may make the engine overheat or fail.

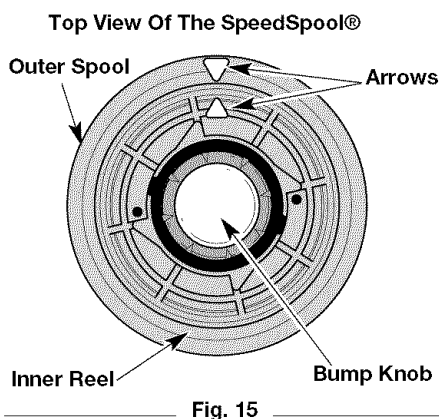
There are two methods to replace the SpeedSpool® trimming line:

- Wind the inner reel with new line
- Install a pre-wound inner reel

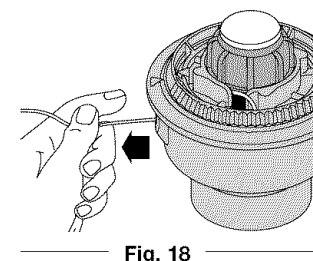
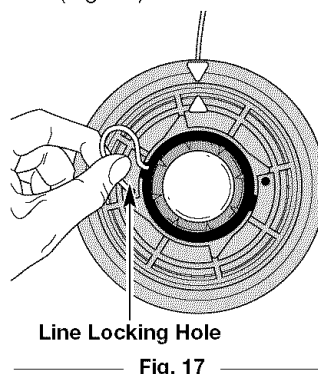
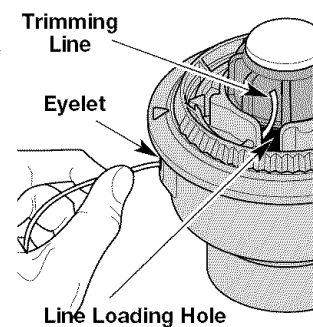
#### Winding the Inner Reel With New Line

**NOTE:** It is unnecessary to remove the bump knob to install a new trimming line.

1. Cut two pieces of 0.095 inch (2.41 mm) trimming line, 10 feet (3 m) long.
2. Hold the outer spool and turn the inner reel counterclockwise to line up the arrows on the outer spool and inner reel (Fig. 15).



3. Pull old line out of the line loading and line locking holes (Fig. 17 and 18).
4. Insert a piece of trimming line straight into one of the two eyelets in the outer spool. Push it up through the line loading hole in the inner reel (Fig. 16). Do not bend the line when inserting it into the eyelet.
5. Insert the line into the locking hole (Fig. 17). Do not push the line more than a 1/2 inch (12.7 mm) into the line locking hole. The line will form a small loop (Fig. 17) when it is inserted correctly.
6. Pull the line from the outer spool until the line is tight against the inner reel (Fig. 18).
7. Repeat procedures 4-6 with the second piece of line.
8. Hold the outer spool. Wind the inner reel counterclockwise until approximately four (4) inches (102 mm) of line remain (Fig. 19).



**WARNING:** Always use the correct line length when installing trimming line on the unit. The line may not release properly if the line is too long.



## MAINTENANCE AND REPAIR INSTRUCTIONS

- If winding the line becomes difficult or if the line jams, pull the ends of the line from the spool (Fig. 19). Continue winding the inner reel counterclockwise until approximately 6 inches of line is left.

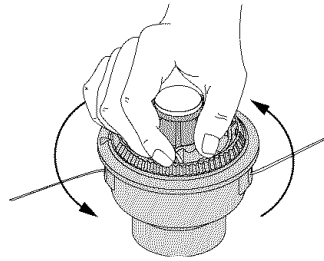


Fig. 19

### INSTALLING A PRE-WOUND REEL

- Turn the bump knob counterclockwise and remove the bump knob, spring and foam seal (Fig. 20).
- Pull the old inner reel with existing line from the outer spool.
- Insert the ends of the prewound inner reel line into the outer spool eyelets (Fig. 21). Push the new inner reel, arrow side up, into the outer spool.
- Hold the inner reel in place and install the bump knob, spring and foam seal (Fig. 22). Press down and turn the bump knob clockwise. Grasp the ends and pull firmly to release the line from the holding slots in the inner reel.

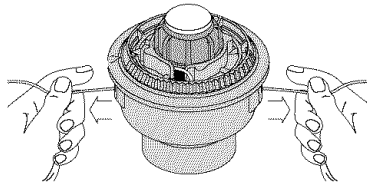


Fig. 20

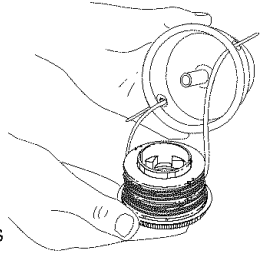


Fig. 21

### Releasing the Inner Reel

If the SpeedSpool® does not release line correctly, pull the ends of the line firmly from the spool (Fig. 18). If this does not release the line, follow the Cleaning the SpeedSpool® instructions.

**NOTE:** Do not wind the inner reel before installing the second piece of line.

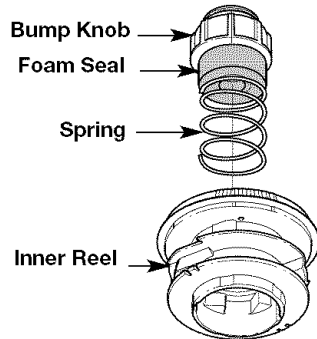


Fig. 22

### CLEANING THE SPEEDSPOOL®

Cleaning the SpeedSpool® may be necessary if:

- A jammed or excessive line must be removed
  - The SpeedSpool® becomes difficult to wind or does not operate correctly when bumping the head on the ground
- Hold the outer spool, and unscrew the bump knob counterclockwise (Fig. 23).
  - Pull out the bump knob, spring and foam seal (Fig. 22).
  - Pull the inner reel with existing line from the outer spool (Fig. 24).
  - Remove any existing line from the inner reel before cleaning. Remove any debris or grass from the knob, spring, inner reel and foam seal. Wash the inner reel with warm soapy water (Fig. 24).
  - Clean the shaft and the inner surface of the outer spool. To clean the shaft underneath the plunger, press down on the plunger (Fig. 25). Remove any dirt or debris from the shaft.

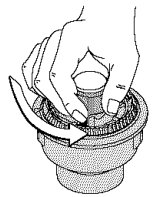


Fig. 23

**NOTE:** The inner reel must be totally dry before reinstalling it into the outer spool. Do not lubricate the inner reel or outer spool assembly.

- Place the inner reel into the outer spool.
- Place the bump knob, spring and foam seal into the inner reel (Fig. 22).
- Press the bump knob down and tighten clockwise.
- Install new line as described in Line Installation for the SpeedSpool®.

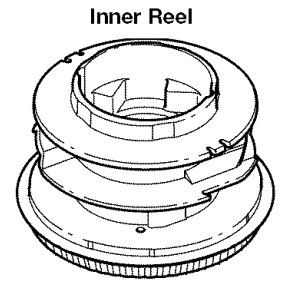


Fig. 24

### CHECKING THE OIL LEVEL

The importance of checking and maintaining the proper oil level in the crankcase cannot be overemphasized.

Check oil before each use:

- Stop the engine and allow oil to drain into the crankcase.
- Place the engine on a flat, level surface with the cutting head shield hanging off a work bench or table to get a proper oil level reading (Fig. 26).

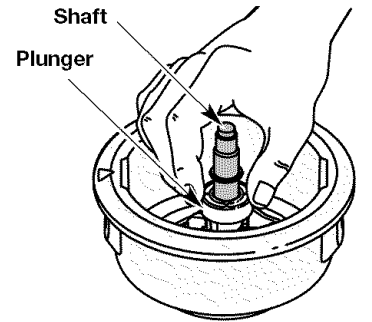


Fig. 25

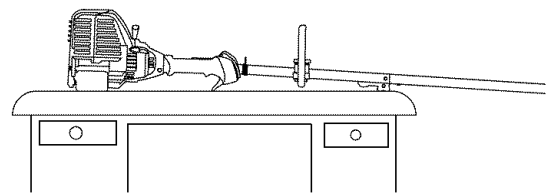


Fig. 26

- Keep dirt, grass clippings and other debris out of the engine. Clean the area around the dipstick before removing it.
- Remove the oil fill plug.
- Look into the oil fill hole, use a flashlight if needed. The oil should be just touching the inner most thread (Fig. 27).
- If the oil level is not touching the inner most thread on the oil fill hole, add a small amount of oil to the oil fill hole and recheck (Fig. 27). Repeat this procedure until the oil level reaches the inner most thread on the oil fill hole.

**NOTE:** Do not overfill the unit.

**NOTE:** Make sure the O-ring is in place on the oil fill plug when checking and changing the oil (Fig. 28).

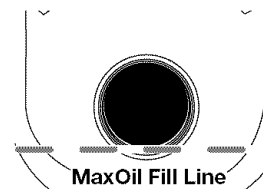


Fig. 27

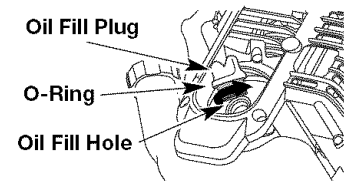



Fig. 28

## MAINTENANCE AND REPAIR INSTRUCTIONS

### CHANGING THE OIL

For a new engine, change the oil after the first 10 hours of operation. Change the oil while the engine is still warm. The oil will flow freely and carry away more impurities.

1. Unplug spark plug boot to prevent accidental starting.



**WARNING:** Wear gloves to prevent injury when handling unit.

2. Remove the oil fill plug.
3. Pour the oil out of the oil fill hole and into a container by tipping the unit to a vertical position (Fig. 29). Allow ample time for complete drainage.
4. Wipe up any oil residue on the unit and clean up any oil that may have spilled. Dispose of the oil according to Federal, State and local regulations.
5. Refill the crankcase with 3.04 fluid ounce (90 ml) of SAE 30 SF, SG, SH oil.

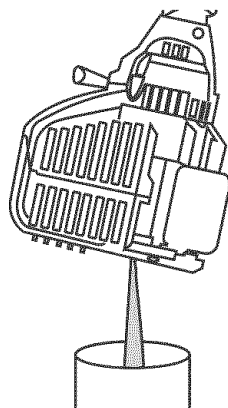


Fig. 29

**NOTE:** Use the bottle and spout saved from initial use to measure the correct amount of oil. The top of the label on the bottle measures approximately 3.04 ounces (90 ml) (Fig. 30). Check the level, *See Checking the Oil Level*. If the level is low, add a small amount of oil and recheck. Do not overfill (Fig. 30).

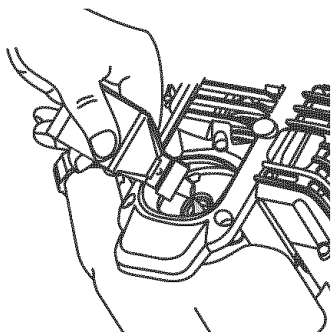
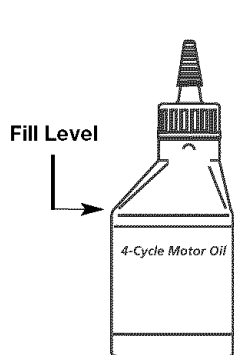



Fig. 30



6. Replace the oil fill plug.
7. Reconnect the spark plug boot.

### AIR FILTER MAINTENANCE



**WARNING:** To avoid serious personal injury, always turn the unit off and allow it to cool before you clean or service it.

#### Cleaning the Air Filter

Clean and re-oil the air filter every 10 hours of operation. It is an important item to maintain. Failure to maintain your air filter properly can result in poor performance or can cause permanent damage to your engine.

1. Open the air filter cover. Push the tab on the under side of the cover inward. Then pull the air filter cover out and up. (Fig. 31).

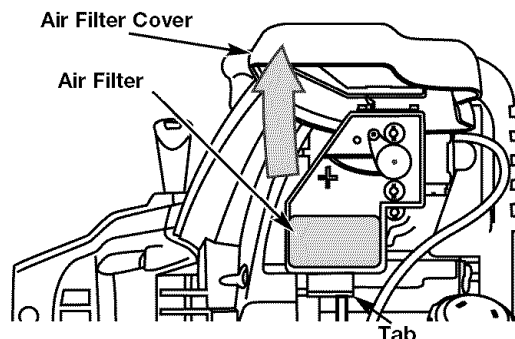


Fig. 31

2. Remove the air filter (Fig. 31).
3. Wash the filter in detergent and water (Fig. 32). Rinse the filter thoroughly and allow it to dry.
4. Apply enough clean SAE 30 motor oil to lightly coat the filter (Fig. 33).
5. Squeeze the filter to spread and remove excess oil (Fig. 34).
6. Replace the filter (Fig. 31).

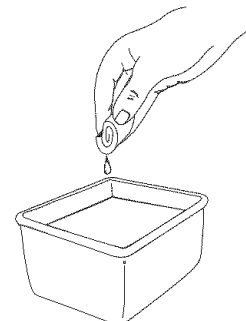


Fig. 32

**NOTE:** If the unit is operated without the air filter, you will **VOID** the warranty.

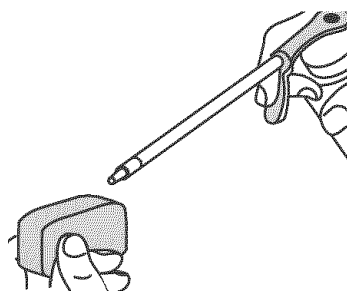


Fig. 33

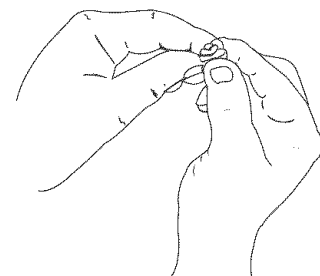


Fig. 34

7. Reinstall the air filter cover. Position the slots on the top of the air filter cover onto the tabs at the top of the back plate (Fig. 35).
8. Swing the cover down until the tab on the air filter backplate snaps into place in the slot on the air filter cover (Fig. 36).

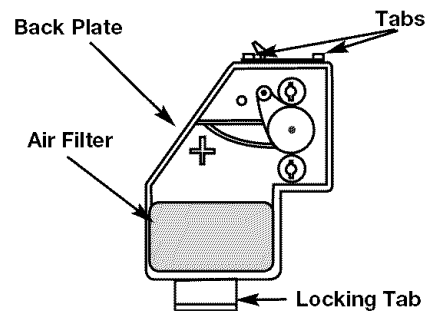


Fig. 35

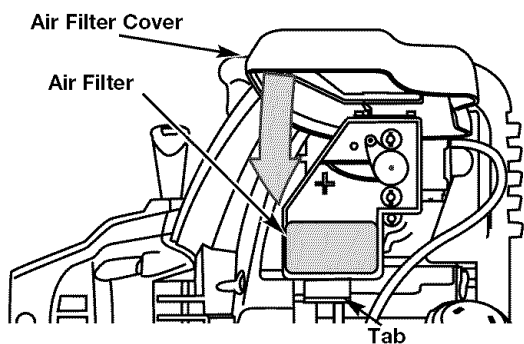


Fig. 36

## CARBURETOR ADJUSTMENT

The idle speed of the engine is adjustable. An idle adjustment screw is between the air filter cover and the engine starter housing (Fig. 37).

**NOTE:** Careless adjustments can seriously damage your unit. An authorized service dealer should make carburetor adjustments.

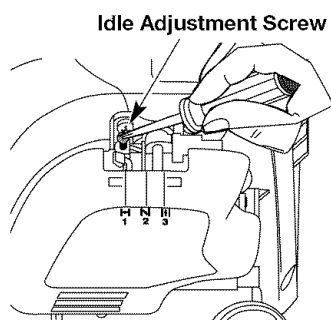


Fig. 37

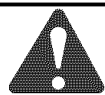
## Check Fuel

Old fuel is usually the reason for improper unit performance. Drain and refill the tank with fresh fuel prior to making any adjustments. Refer to *Oil and Fuel Information*.

## Clean Air Filter

The condition of the air filter is important to the operation of the unit. A dirty air filter will restrict air flow. This is often mistaken for an out of adjustment carburetor. Check the condition of the air filter before adjusting the idle speed screw. Refer to *Air Filter Maintenance*.

## Adjust Idle Speed Screw



**WARNING:** To prevent serious personal injury, make sure the cutting attachment has stopped rotating before you turn it off and set it down.

If, after checking the fuel and cleaning the air filter, the engine still will not idle, adjust the idle speed screw as follows:

1. Start the engine and let it run at a high idle for a minute to warm up. Refer to *Starting/Stopping Instructions*.
2. Release the throttle trigger and let the engine idle. If the engine stops, insert a small phillips in between the Air Filter Cover and the Engine Cover (Fig. 48). Turn the idle speed screw in, **clockwise**, 1/8 of a turn at a time (as needed) until the engine idles smoothly.

**NOTE:** The cutting attachment should not rotate when the engine idles.

3. If the cutting attachment rotates when the engine idles, turn the idle speed screw **counterclockwise** 1/8 of a turn at a time (as needed), to reduce idle speed.



**WARNING:** The cutting attachment may spin during idle speed adjustments. Wear protective clothing and observe all safety instructions to prevent serious personal injury.

Checking the fuel, cleaning the air filter, and adjusting the idle speed should solve most engine problems. If not and all of the following are true:

- the engine will not idle
- the engine hesitates or stalls on acceleration
- there is a loss of engine power

Have the carburetor adjusted by an authorized service dealer.

## ROCKER ARM CLEARANCE

This requires disassembly of the engine. If you feel unsure or unqualified to perform this, take the unit to an authorized service center.

**NOTE:** Inspect the valve to rocker arm clearance with a feeler gauge after the first 10 hours of operation and every 25 hours of operation.

- The engine must be cold when checking or adjusting the valve clearance.
  - This task should be performed inside, in a clean, dust free area.
1. Remove the six (6) screws on the back of the engine cover with a Flat-head or T-25 Torx screwdriver (Fig. 38).
  2. Disconnect the spark plug wire.
  3. Clean dirt from around the spark plug. Remove the spark plug from the cylinder head by turning a 5/8 in. socket counterclockwise.
  4. Remove the engine cover (Fig. 38).

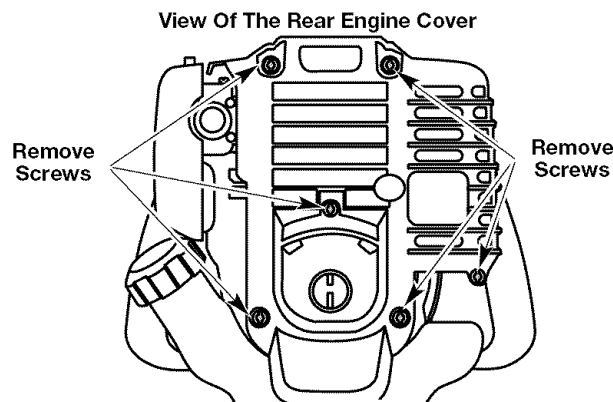


Fig. 38

5. Clean dirt from around the rocker arm cover. Remove the screw holding the rocker arm cover with a large flat blade screwdriver or Torx T-25 bit (Fig. 39). Remove the rocker arm cover and gasket.

6. Pull the starter rope slowly to bring the piston to the top of its travel, (known as top dead center). Check that:

- The piston is at the top of its travel while looking in the spark plug hole (Fig. 40)
- Both rocker arms move freely, and both valves are

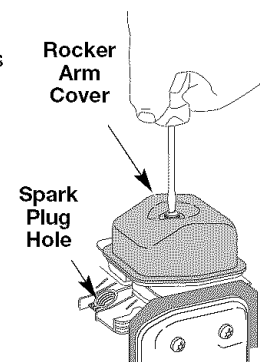


Fig. 39

closed

If these statements are not true, repeat this step.

7. Slide the feeler gauge between the rocker arm and the valve return spring. Measure the clearance between the

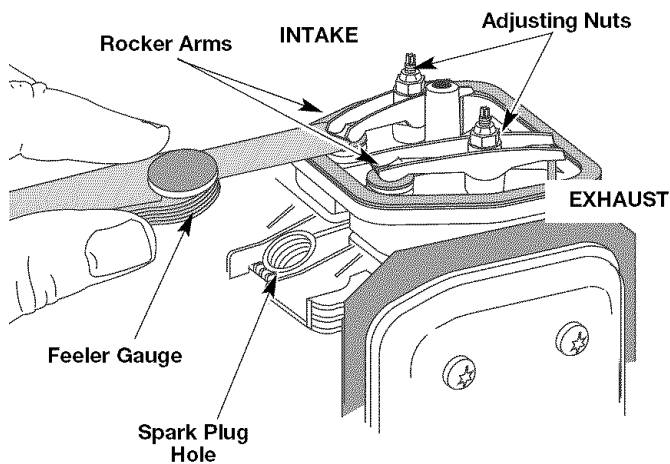


Fig. 40

valve stem and rocker arm (Fig. 40). Measure both the intake and exhaust valves.

The recommended clearance for both intake and exhaust is .003 – .006 in. (.076 – 0.152 mm). Use a standard automotive .005 in. (0.127 mm) feeler gauge. The feeler gauge should slide between the rocker arm and valve stem with a slight amount of resistance, without binding. See Figures 40 and 41.

8. If the clearance is not within specification:
  - a. Turn the adjusting nut using a 5/16 inch (8 mm) wrench or nut driver (Fig. 40).
    - To increase clearance, turn the adjusting nut counterclockwise.
    - To decrease clearance, turn the adjusting nut clockwise.
  - b. Recheck both clearances, and adjust as necessary.
9. Reinstall the rocker arm cover using a new gasket. Torque the screw to 20–30 in•lb (2.2–3.4 N•m).
10. Check the spark plug and reinstall. See *Replacing the Spark Plug*.
11. Replace the spark plug wire.

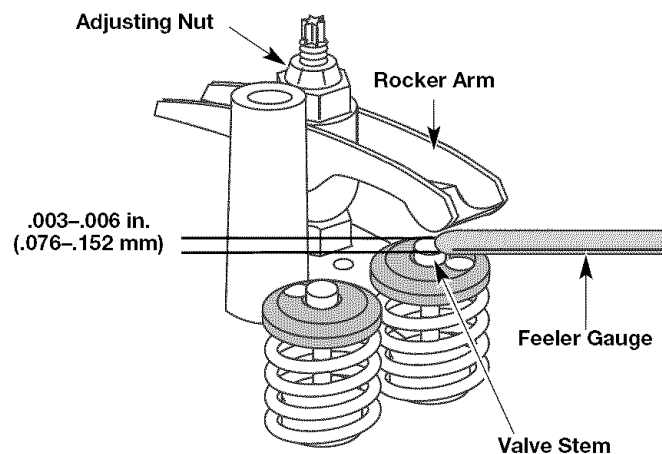


Fig. 41

12. Reinstall the engine cover. Check alignment of the cover before tightening the screws. Tighten screws.

### REPLACING THE SPARK PLUG

Use a replacement part number 753-05255 spark plug. The correct air gap is 0.025 in. (0.655 mm.). Remove the plug after every 25 hours of operation and check its condition.

1. Stop the engine and allow it to cool. Remove the six (6) screws on the back of the engine cover with a Flat-head or T-25 Torx screwdriver (Fig. 38).
2. Grasp the plug wire firmly and pull the cap from the spark plug.
3. Clean dirt from around the spark plug. Remove the spark plug from the cylinder head by turning a 5/8 in. socket counterclockwise.
4. Replace cracked, fouled or dirty spark plug. Set the air gap at 0.025 in. (0.655 mm.) using a feeler gauge (Fig. 42).
5. Install a correctly-gapped spark plug in the cylinder head. Turn the 5/8 in. socket clockwise until snug.

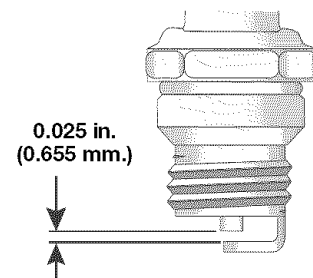


Fig. 42

If using a torque wrench torque to:

	<b>WARNING:</b> Do not sand blast, scrape or clean electrodes. Grit in the engine could damage the cylinder.
--	--

## MAINTENANCE AND REPAIR INSTRUCTIONS

### SPARK ARRESTOR MAINTENANCE

1. Remove the rear engine cover. See *Rocker Arm Clearance*.
2. With a flat blade screwdriver or Torx T-20 bit and a T-25 bit, remove the screws attaching the spark arrestor cover to the muffler (Fig. 43).

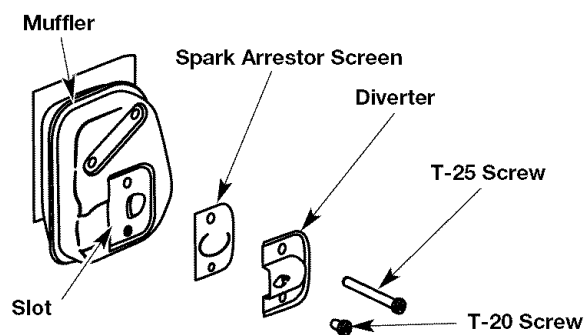


Fig. 43

3. Pull the tab on the spark arrestor cover out of the muffler. Remove the spark arrestor cover.
4. Remove the spark arrestor screen from the spark arrestor cover.
5. Clean the spark arrestor screen with a wire brush or replace it.
6. Reinstall the spark arrestor screen, spark arrestor cover and screws.



**WARNING:** To avoid serious personal injury, always turn your unit off and allow it to cool before you clean or service it.

### CLEANING

Use a small brush to clean off the outside of the unit. Do not use strong detergents. Household cleaners that contain aromatic oils such as pine and lemon, and solvents such as kerosene, can damage plastic housing or handle. Wipe off any moisture with a soft cloth.

### STORAGE

- Never store the unit with fuel in the tank where fumes may reach an open flame or spark.
- Allow the engine to cool before storing.
- Lock up the unit to prevent unauthorized use or damage.
- Store the unit in a dry, well-ventilated area.
- Store the unit out of the reach of children.

### LONG TERM STORAGE

1. Drain all gasoline from the gas tank into a container. Do not use gas that has been stored for more than 60 days. Dispose of the old gasoline in accordance to Federal, State, and Local regulations.
2. Start the engine and allow it to run until it stalls. This ensures that all gasoline has been drained from the carburetor.
3. Allow the engine to cool. Remove the spark plug and put 1 oz. (30 ml) of high quality motor oil into the cylinder. Pull the starter rope slowly to distribute the oil. Reinstall the spark plug.

**NOTE:** Remove the spark plug and drain all of the oil from the cylinder before attempting to start the trimmer after storage.

4. Change the oil, referring to *Changing the Oil*. Dispose of the old oil in accordance to Federal, State and Local regulations.
5. Thoroughly clean the unit and inspect for any loose or damaged parts. Repair or replace damaged parts and tighten loose screws, nuts or bolts. The unit is ready for storage.

### TRANSPORTING

- Allow the engine to cool before transporting.
- Secure the unit while transporting.
- Drain the gas tank before transporting.
- Tighten gas cap before transporting.

## TROUBLESHOOTING

### ENGINE WILL NOT START

#### CAUSE

On/Off control in the STOP position  
 Empty fuel tank  
 Primer bulb wasn't pressed enough  
 Old fuel  
 Fouled spark plug  
 Plugged spark arrestor

#### ACTION

Turn On/Off control to ON  
 Fill fuel tank with new fuel  
 Press primer bulb fully and slowly 10 times  
 Drain gas tank and add fresh fuel  
 Replace or clean the spark plug  
 Clean or replace spark arrestor

### ENGINE WILL NOT IDLE

#### CAUSE

Air filter is plugged  
 Old fuel  
 Improper carburetor adjustment

#### ACTION

Replace or clean the air filter  
 Drain gas tank and add fresh fuel  
 Adjust carburetor

### ENGINE WILL NOT ACCELERATE

#### CAUSE

Old fuel  
 Improper carburetor adjustment  
 Cutting attachment bound with grass  
 Dirty air filter  
 Plugged spark arrestor

#### ACTION

Drain gas tank and add fresh fuel  
 Take to an authorized service dealer for adjustment  
 Stop the engine and clean the cutting attachment  
 Clean or replace the air filter  
 Clean or replace spark arrestor

### ENGINE LACKS POWER OR STALLS WHEN CUTTING

#### CAUSE

Old fuel  
 Improper carburetor adjustment  
 Fouled spark plug  
 Plugged spark arrestor

#### ACTION

Drain gas tank and add fresh fuel  
 Take to an authorized service dealer for adjustment  
 Replace or clean the spark plug  
 Clean or replace spark arrestor

### CUTTING ATTACHMENT WILL NOT ADVANCE LINE

#### CAUSE

Cutting attachment bound with grass  
 Cutting attachment out of line  
 Inner reel bound up  
 Cutting head dirty  
 Line welded  
 Line twisted when refilled  
 Not enough line is exposed

#### ACTION

Stop the engine and clean cutting attachment  
 Refill with new line  
 Replace the inner reel  
 Clean inner reel and outer spool  
 Disassemble, remove the welded section and rewind  
 Disassemble and rewind the line  
 Push the bump knob and pull out line until 4 inches (102 mm) of line is outside of the cutting attachment

### CUTTING LINE ADVANCES UNCONTROLLABLY

#### CAUSE

Oil, cleaner or lubricant in cutting head

#### ACTION

Clean and thoroughly dry the cutting head

**If further assistance is required, contact your authorized service dealer.**

## SPECIFICATIONS

### ENGINE\*

Engine Type .....	Air-Cooled, 4-Cycle
Displacement.....	1.8 cu. in. (29 cc)
Operating RPM.....	6,800+ rpm
Idle Speed RPM.....	2,800 - 3,600 rpm
Ignition Type .....	Electronic
Ignition Switch .....	Rocker Switch
Valve clearance.....	0.003–0.006 in. (0.076–0.152 mm)
Spark Plug Gap .....	0.025 inch (0.655 mm)
Lubrication .....	SAE 30 Oil
Crankcase Oil Capacity.....	3.04 oz (90 ml)
Fuel.....	Unleaded
Carburetor.....	Diaphragm, All-Position
Starter.....	Auto Rewind
Muffler.....	Baffled with Guard
Throttle.....	Manual Spring Return
Fuel Tank Capacity.....	14 oz (414 ml)

### DRIVE SHAFT AND CUTTING ATTACHMENT\*

Drive Shaft Housing.....	Steel Tube (EZ-Link™)
Throttle Control .....	Finger-Tip Trigger
Approximate Unit Weight (No fuel, with handle, cutting attachment and shield).....	11.5-13.0 lbs (5.2-5.9 kg)
Cutting Mechanism .....	SpeedSpool®
Line Spool.....	Bump Line Releaser
Line Spool Diameter .....	4 inches (101.6 mm)
Trimming Line Diameter .....	.095 inches (2.41 mm)
Cutting Path Diameter, Trimmer Head .....	17 inches (43.2 cm)

\*All specifications are based on the latest product information available at the time of printing. We reserve the right to make changes at any time without notice.





## California / EPA Emission Control Warranty Statement

### Your Warranty Rights and Obligations

The California Air Resources Board, the Environmental Protection Agency and Troy-Bilt LLC (Troy-Bilt) are pleased to explain the emission control system warranty on your 2005 and later small off-road engine. New small off-road engines must be designed, built and equipped to meet stringent anti-smog standards. Troy-Bilt must warrant the emission control system on your small off-road engine for the periods of time listed below provided there has been no abuse, neglect or improper maintenance of your small off-road engine.

Your emission control system may include parts such as the carburetor or fuel-injected system, the ignition system, and catalytic converter. Also included may be hoses, belts, connectors and other emission-related assemblies.

Where a warrantable condition exists, Troy-Bilt will repair your small off-road engine at no cost to you including diagnosis, parts and labor.

The 2005 and later small off-road engines are warranted for two years. If any emission-related part on your engine is defective, the part will be repaired or replaced by Troy-Bilt.

### Owners Warranty Responsibilities

- As the small off-road engine owner, you are responsible for the performance of the required maintenance listed in your operator's manual. Troy-Bilt recommends that you retain all receipts covering maintenance on your small off-road engine, but Troy-Bilt cannot deny warranty solely for the lack of receipts or for your failure to ensure the performance of all scheduled maintenance.
- As the small off-road engine owner, you however should be aware that Troy-Bilt may deny you warranty coverage if your small off-road engine or a part has failed due to abuse, neglect, improper maintenance or unapproved modifications.
- You are responsible for presenting your small off-road engine to a Troy-Bilt Authorized Service Center as soon as a problem exists. The warranty repairs should be completed in a reasonable amount of time, not to exceed 30 days.

If you have any questions regarding your warranty rights and responsibilities, you should call 1-800-520-5520.

### Manufacturer's Warranty Coverage

- The warranty period begins on the date the engine or equipment is delivered to the retail purchaser.
- The manufacturer warrants to the initial owner and each subsequent purchaser, that the engine is free from defects in material and workmanship which cause the failure of a warranted part for a period of two years.
- Repair or replacement of warranted part will be performed at no charge to the owner at an Authorized Troy-Bilt Service Center. For the nearest location please contact Troy-Bilt at: 1-800-520-5520.
- Any warranted part which is not scheduled for replacement, as required maintenance or which is scheduled for only for regular inspection to the effect of "Repair or Replace as Necessary" is warranted for the warranty period. Any warranted part which is scheduled for replacement as required maintenance will be warranted for the period of time up to the first scheduled replacement point for that part.
- The owner will not be charged for diagnostic labor which leads to the determination that a warranted part is defective, if the diagnostic work is performed at an Authorized Troy-Bilt Service Center.
- The manufacturer is liable for damages to other engine components caused by the failure of a warranted part still under warranty.
- Failures caused by abuse, neglect or improper maintenance are not covered under warranty.
- The use of add-on or modified parts can be grounds for disallowing a warranty claim. The manufacturer is not liable to cover failures of warranted parts caused by the use of add-on or modified parts.
- In order to file a claim, go to your nearest Authorized Troy-Bilt Service Center. Warranty services or repairs will be provided at all Authorized Troy-Bilt Service Centers.
- Any manufacturer approved replacement part may be used in the performance of any warranty maintenance or repair of emission related parts and will be provided without charge to the owner. Any replacement part that is equivalent in performance or durability may be used in non-warranty maintenance or repair and will not reduce the warranty obligations of the manufacturer
- The following components are included in the emission related warranty of the engine, air filter, carburetor, primer, fuel lines, fuel pick up/ fuel filter, ignition module, spark plug and muffler.

## MANUFACTURER'S LIMITED WARRANTY FOR:



The limited warranty set forth below is given by Troy-Bilt LLC with respect to new merchandise purchased and used in the United States, its possessions and territories.

Troy-Bilt LLC warrants this product against defects in material and workmanship for a period of two (2) years commencing on the date of original purchase and will, at its option, repair or replace, free of charge, any part found to be defective in material or workmanship. This limited warranty shall only apply if this product has been operated and maintained in accordance with the Operator's Manual furnished with the product, and has not been subject to misuse, abuse, commercial use, neglect, accident, improper maintenance, alteration, vandalism, theft, fire, water or damage because of other peril or natural disaster. Damage resulting from the installation or use of any accessory or attachment not approved by Troy-Bilt LLC for use with the product(s) covered by this manual will void your warranty as to any resulting damage. This warranty is limited to ninety (90) days from the date of original retail purchase for any Troy-Bilt product that is used for rental or commercial purposes, or any other income-producing purpose.

**HOW TO OBTAIN SERVICE:** Warranty service is available, WITH PROOF OF PURCHASE THROUGH YOUR LOCAL AUTHORIZED SERVICE DEALER. To locate the dealer in your area, visit our website at [www.troybilt.com](http://www.troybilt.com), check for a listing in the Yellow Pages, call **1-800-520-5520** or write to P.O. Box 361131, Cleveland, OH 44136-0019.

**This limited warranty does not provide coverage in the following cases:**

- A. Tune-ups - Spark Plugs, Carburetor Adjustments, Filters
- B. Wear items - Bump Knobs, Outer Spools, Cutting Line, Inner Reels, Starter Pulley, Starter Ropes, Drive Belts
- C. Troy-Bilt LLC does not extend any warranty for products sold or exported outside of the United States of America, its possessions and territories, except those sold through Troy-Bilt's authorized channels of export distribution.

Troy-Bilt LLC reserves the right to change or improve the design of any Troy-Bilt Product without assuming any obligation to modify any product previously manufactured.

**No implied warranty, including any implied warranty of merchantability or fitness for a particular purpose, applies after the applicable period of express written warranty above as to the parts as identified. No other express warranty or guaranty, whether written or oral, except as mentioned above, given by any person or entity, including a dealer or retailer, with respect to any product shall bind Troy-Bilt LLC During the period of the Warranty, the exclusive remedy is repair or replacement of the product as set forth above.** (Some states do not allow limitations on how long an implied warranty lasts, so the above limitation may not apply to you.)

**The provisions as set forth in this Warranty provide the sole and exclusive remedy arising from the sales. Troy-Bilt LLC shall not be liable for incidental or consequential loss or damages including, without limitation, expenses incurred for substitute or replacement lawn care services, for transportation or for related expenses, or for rental expenses to temporarily replace a warranted product.** (Some states do not allow limitations on how long an implied warranty lasts, so the above limitation may not apply to you.)

In no event shall recovery of any kind be greater than the amount of the purchase price of the product sold. Alteration of the safety features of the product shall void this Warranty. You assume the risk and liability for loss, damage, or injury to you and your property and/or to others and their property arising out of the use or misuse or inability to use the product.

This limited warranty shall not extend to anyone other than the original purchaser, original lessee or the person for whom it was purchased as a gift.

**How State Law Relates to this Warranty:** This warranty gives you specific legal rights, and you may also have other rights which vary from state to state.

To locate your nearest service dealer dial **1-800-520-5520**.

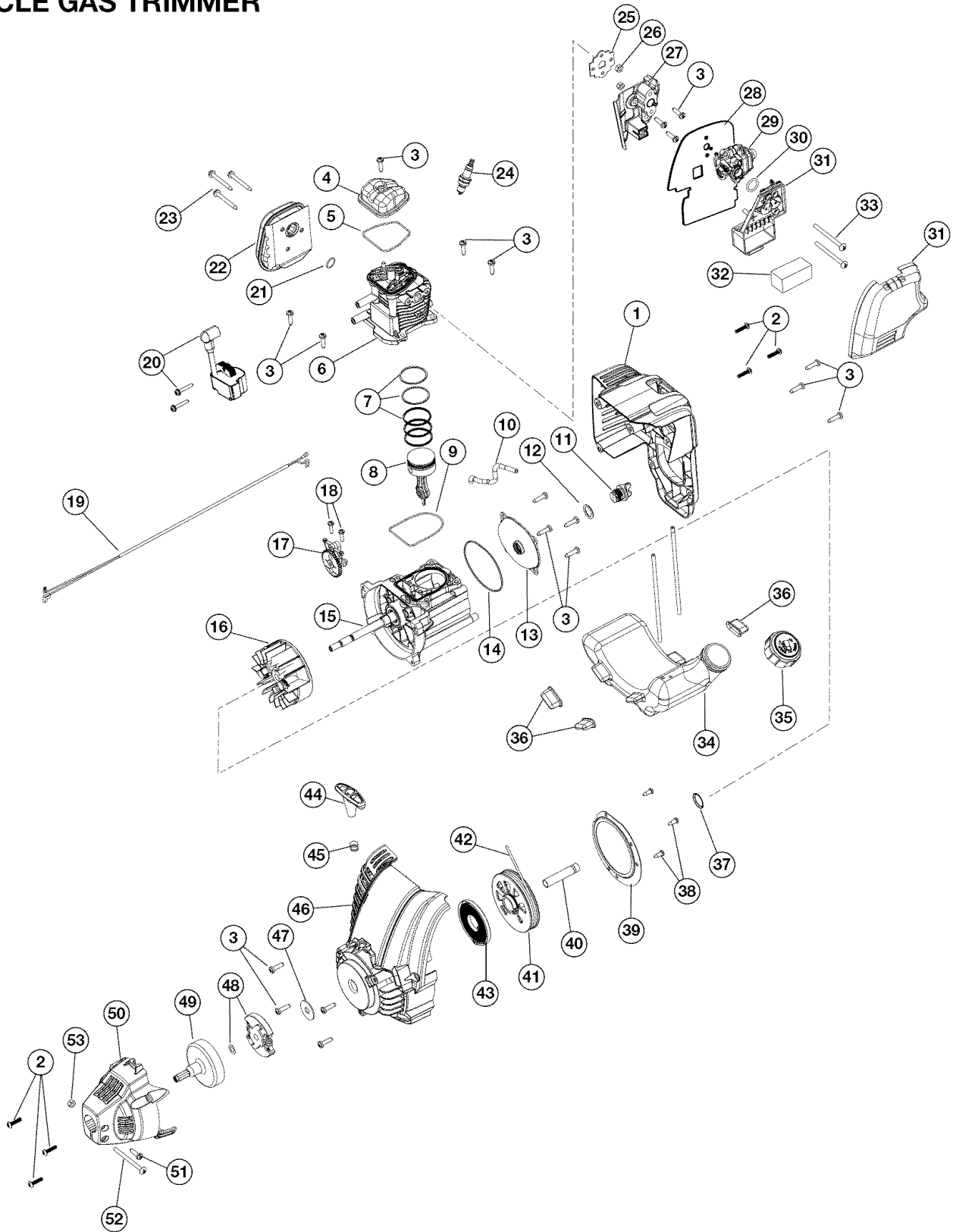
**Troy-Bilt LLC**

P.O. Box 361131

Cleveland, OH 44136-0019

PARTS LIST

REPLACEMENT PARTS - MODELS TB575SS & TB525CS  
4-CYCLE GAS TRIMMER



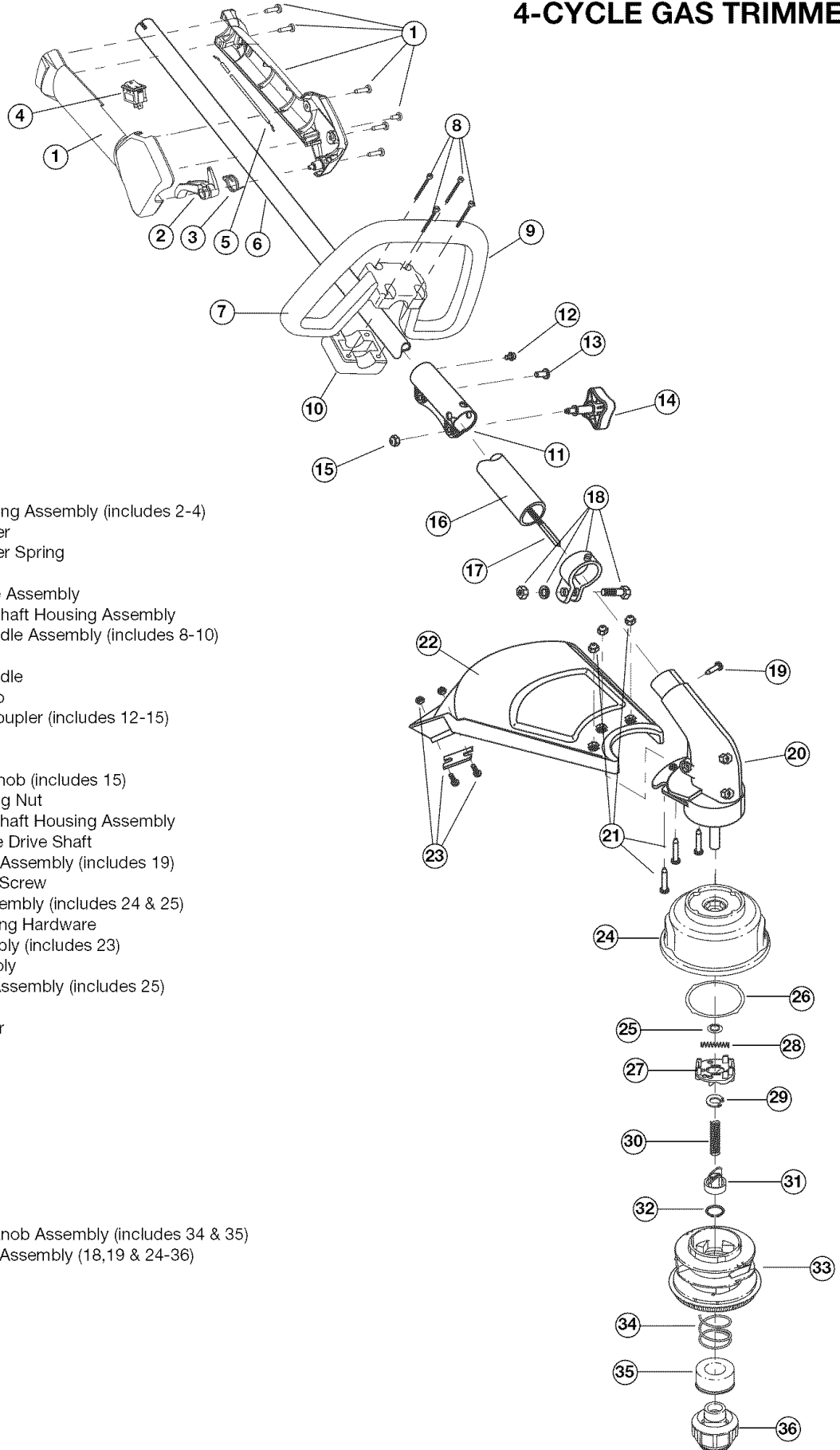
**PARTS LIST**

**REPLACEMENT PARTS - MODELS TB575SS & TB525CS  
4-CYCLE GAS TRIMMER**

<u>Item</u>	<u>Part No.</u>	<u>Description</u>	<u>Item</u>	<u>Part No.</u>	<u>Description</u>
1	753-05206	Engine Cover Assembly (includes 2 & 3)	30	791-181751	O-Ring
2	753-04595	Cover Screw	31	753-05252	Air Cleaner Cover Assembly (includes 32)
3	753-05208	Screw	32	753-05254	Air Filter
4	753-05209	Rocker Cover	33	753-05253	Screw
5	753-05210	Rocker Cover O-Ring	34	753-05256	Fuel Tank Assembly w/Fuel Lines (includes 35)
6	753-05228	Cylinder Assembly (includes 3, 5 & 9)	35	753-1229	Fuel Cap
7	753-05229	Piston Ring Assembly	36	753-05259	Fuel Tank Pads
8	753-05230	Piston Assembly (includes 7)	37	753-05260	Push Nut
9	753-05232	Cylinder O-Ring	38	753-1202	Pressure Plate Screw
10	791-182379	Breather Hose	39	753-05074	Pressure Plate (includes 38)
11	753-05236	Oil Plug (includes 12)	40	753-05078	Spacer
12	791-182290	Oil Plug O-Ring	41	753-05261	Starter Assembly (includes 42)
13	753-05237	Crankcase Cover	42	791-613103	Rope
14	753-05238	Crankcase Cover O-ring	43	753-04286	Recoil Spring
15	753-05239	Crankcase Assembly (includes 9, 10 & 14)	44	791-181079	Handle
16	753-05240	Flywheel Assembly	45	791-611061	Rope Guide
17	753-05241	Cam Bracket Assembly (includes 18)	46	753-05262	Starter Housing Assembly (includes 3 & 37-45)
18	753-05242	Cam Bracket Screw	47	791-182396	Washer
19	753-05264	Lead Wires	48	753-1238	Clutch & Clutch Washer
20	753-05243	Module Assembly	49	791-153592	Clutch Drum
21	753-05244	Muffler Gasket	50	753-05263	Clutch Cover
22	753-05245	Muffler Assembly (includes 21 & 23)	51	791-182519	Anti-Rotation Screw
23	753-05246	Muffler Screw	52	753-04003	Clamp Screw
24	753-05255	Spark Plug	53	791-180217	Nut
25	753-05247	Insulator Gasket	*	753-05297	Spark Arrestor Assembly
26	753-05248	Nut	*	753-05265	Shortblock Assembly (includes 3-12, 14, 15, 17 & 24)
27	753-05249	Insulator			
28	753-05250	Carburetor Gasket			
29	753-05251	Carburetor w/Primer			

**PARTS LIST**

**REPLACEMENT PARTS - MODELS TB575SS  
4-CYCLE GAS TRIMMER**

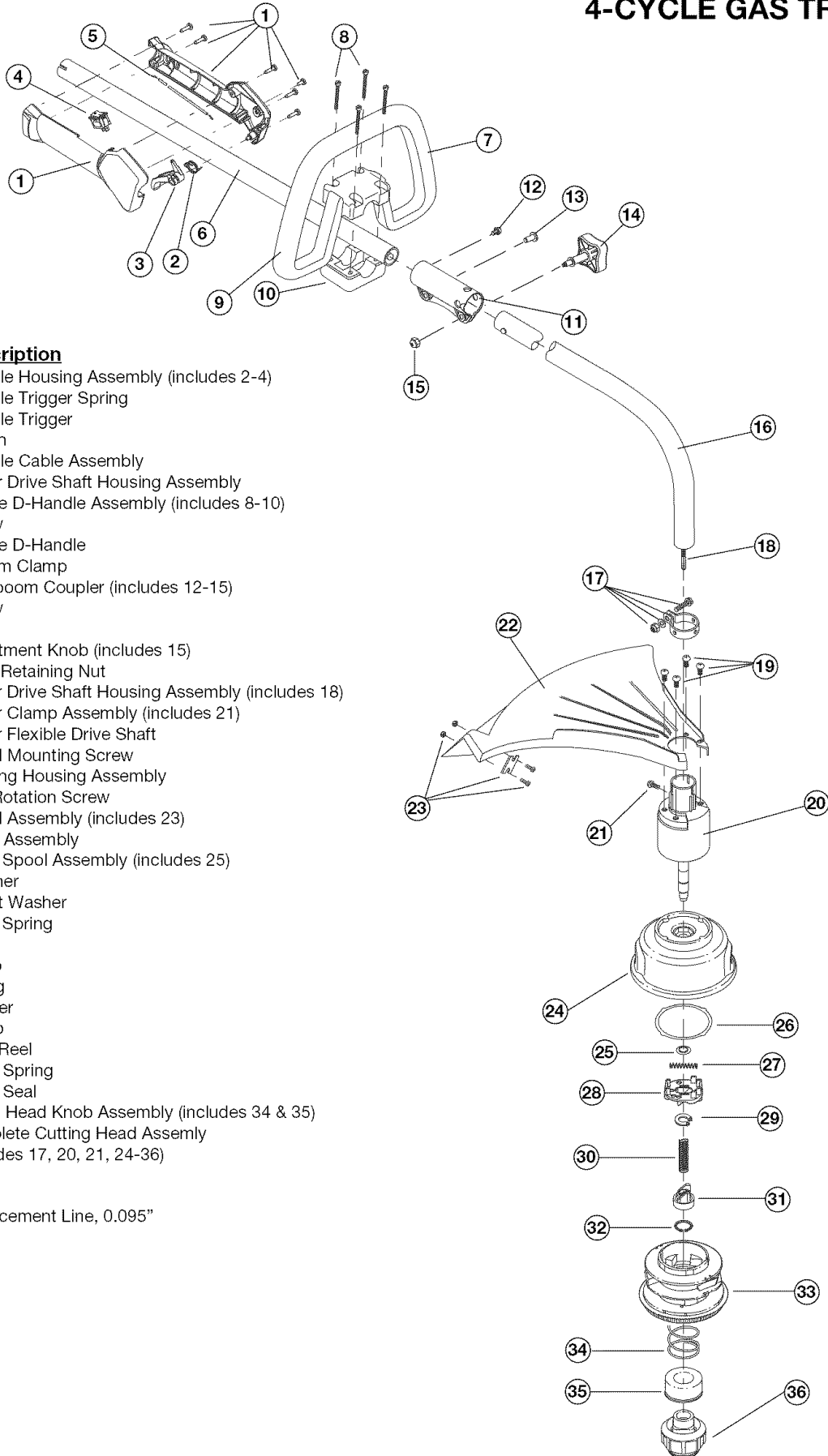


Item	Part No.	Description
1	753-04234	Throttle Housing Assembly (includes 2-4)
2	753-04119	Throttle Trigger
3	791-182690	Throttle Trigger Spring
4	791-182405	Switch
5	753-05266	Throttle Cable Assembly
6	753-04236	Upper Drive Shaft Housing Assembly
7	791-180869	Deluxe D-Handle Assembly (includes 8-10)
8	791-181070	Screw
9	791-182167	Deluxe D-Handle
10	791-182168	Bottom Clamp
11	753-1190	Split Boom Coupler (includes 12-15)
12	791-182057	Screw
13	791-181617	Bolt
14	791-181981	Adjustment Knob (includes 15)
15	753-04386	Knob Retaining Nut
16	753-04504	Lower Drive Shaft Housing Assembly
17	753-05267	Lower Flexible Drive Shaft
18	791-153597	Lower Clamp Assembly (includes 19)
19	791-145569	Anti-Rotation Screw
20	753-05269	Gear Box Assembly (includes 24 & 25)
21	791-180547	Shield Mounting Hardware
22	753-1213	Shield Assembly (includes 23)
23	791-181823	Blade Assembly
24	791-181457	Outer Spool Assembly (includes 25)
25	791-181458	Retainer
26	791-181561	Thrust Washer
27	753-04257	Slider
28	791-181459	Small Spring
29	791-181532	E-Clip
30	791-181531	Spring
31	791-181462	Plunger
32	791-181463	C-Clip
33	791-181464	Inner Reel
34	791-181465B	Large Spring
35	791-181467	Foam Seal
36	791-181468B	Bump Head Knob Assembly (includes 34 & 35)
*	753-05268	Cutting Head Assembly (18,19 & 24-36)

\* Items Not Shown

**PARTS LIST**

**REPLACEMENT PARTS - MODELS TB525CS  
4-CYCLE GAS TRIMMER**



<b>Item</b>	<b>Part No.</b>	<b>Description</b>
1	753-04234	Throttle Housing Assembly (includes 2-4)
2	791-182690	Throttle Trigger Spring
3	753-04119	Throttle Trigger
4	791-182405	Switch
5	753-05266	Throttle Cable Assembly
6	753-04236	Upper Drive Shaft Housing Assembly
7	791-180869	Deluxe D-Handle Assembly (includes 8-10)
8	791-181070	Screw
9	791-182167	Deluxe D-Handle
10	791-182168	Bottom Clamp
11	753-1190	Split boom Coupler (includes 12-15)
12	791-182057	Screw
13	791-181617	Bolt
14	791-181981	Adjustment Knob (includes 15)
15	753-04386	Knob Retaining Nut
16	791-182387	Lower Drive Shaft Housing Assembly (includes 18)
17	791-153597	Lower Clamp Assembly (includes 21)
18	791-181852	Lower Flexible Drive Shaft
19	791-180531	Shield Mounting Screw
20	791-181857	Bushing Housing Assembly
21	791-145569	Anti-Rotation Screw
22	791-181659	Shield Assembly (includes 23)
23	753-05212	Blade Assembly
24	791-181457	Outer Spool Assembly (includes 25)
25	791-181458	Retainer
26	791-181561	Thrust Washer
27	791-181459	Small Spring
28	753-04257	Slider
29	791-181532	E-Clip
30	791-181531	Spring
31	791-181462	Plunger
32	791-181463	C-Clip
33	791-181464	Inner Reel
34	791-181465B	Large Spring
35	791-181467	Foam Seal
36	791-181468B	Bump Head Knob Assembly (includes 34 & 35)
*	753-04929	Complete Cutting Head Assembly (includes 17, 20, 21, 24-36)

**Optional Accessorie**

- \* 791-180120 Replacement Line, 0.095"
- \* Items Not Shown