



REFRIGERATOR USER INSTRUCTIONS

THANK YOU for purchasing this high-quality product. If you should experience a problem not covered in TROUBLESHOOTING, please visit our website at www.whirlpool.com for additional information. If you still need assistance, call us at 1-800-253-1301. In Canada, visit our website at www.whirlpool.ca or call us at 1-800-807-6777.

You will need your model and serial number, located on the inside wall of the refrigerator compartment.

Table of Contents / Índice / Table des matières

REFRIGERATOR SAFETY	2	SEGURIDAD DEL REFRIGERADOR	28	SÉCURITÉ DU RÉFRIGÉRATEUR	56
Proper Disposal of Your Old Refrigerator	2	Cómo deshacerse adecuadamente de su refrigerador viejo	29	Mise au rebut adéquate de votre vieux réfrigérateur	57
INSTALLATION INSTRUCTIONS	3	INSTRUCCIONES DE INSTALACIÓN	29	INSTRUCTIONS D'INSTALLATION	57
Unpack the Refrigerator	3	Desempaque el refrigerador	29	Déballage du réfrigérateur	57
Location Requirements	3	Requisitos de ubicación	30	Exigences d'emplacement	58
Remove and Replace Refrigerator		Cómo sacar y volver a colocar las puertas y el frente del cajón del refrigerador	30	Retrait et réinstallation des portes du réfrigérateur et de l'avant du tiroir	58
Doors and Drawer Front	4	Requisitos eléctricos	34	Spécifications électriques	62
Electrical Requirements	8	Requisitos del suministro de agua	34	Spécifications de l'alimentation en eau	62
Water Supply Requirements	8	Conexión del suministro de agua	34	Raccordement à l'alimentation en eau	62
Connect the Water Supply	8	Instalación y remoción de las manijas	36	Installation et démontage des poignées	64
Handle Installation and Removal	10	Cierre y alineamiento de las puertas	37	Fermeture et alignement de la porte	65
Door Closing and Door Alignment	11	FILTROS Y ACCESORIOS	37	FILTRES ET ACCESSOIRES	65
FILTERS AND ACCESSORIES	11	Sistema de filtración de agua	37	Système de filtration de l'eau	65
Water Filtration System	11	Instalación del filtro de aire	38	Installation du filtre à air	66
Install Air Filter	12	Instalación del preservador de alimentos frescos	38	Installation du conservateur pour produits frais	67
Install Produce Preserver	12	Accesorios	40	Accessoires	68
Accessories	13	USO DE SU REFRIGERADOR	40	UTILISATION DU RÉFRIGÉRATEUR	68
REFRIGERATOR USE	13	Cómo abrir y cerrar las puertas	40	Ouverture et fermeture des portes	68
Opening and Closing Doors	13	Uso de los controles	40	Utilisation des commandes	68
Using the Controls	13	Despachador de agua	42	Distributeur d'eau	70
Water Dispenser	15	Fábrica de hielo	43	Machine à glaçons	71
Ice Maker	16	CARACTERÍSTICAS DEL REFRIGERADOR	44	CARACTÉRISTIQUES DU RÉFRIGÉRATEUR	71
REFRIGERATOR FEATURES	16	Estantes del refrigerador	44	Tablettes du réfrigérateur	71
Refrigerator Shelves	16	Cajón-despensa	44	Garde-manger	72
Pantry Drawer	17	Cajón para verduras	45	Bac à légumes	72
Crisper	17	CARACTERÍSTICAS DE LA PUERTA	45	CARACTÉRISTIQUES DE LA PORTE	73
DOOR FEATURES	18	Recipientes para condimento	45	Balconnets à condiments	73
Condiment Bins	18	Recipiente para productos frescos	45	Balconnet fraîcheur	73
Fresh Bin	18	Recipiente de altura media	46	Balconnet mi-hauteur	73
Half-Height Bin	18	CUIDADO DE SU REFRIGERADOR	46	ENTRETIEN DU RÉFRIGÉRATEUR	73
REFRIGERATOR CARE	19	Limpeza	46	Nettoyage	73
Cleaning	19	Cómo cambiar los focos	46	Remplacement des ampoules d'éclairage	74
Changing the Light Bulbs	19	SOLUCIÓN DE PROBLEMAS	47	DÉPANNAGE	75
TROUBLESHOOTING	20	Funcionamiento	47	Fonctionnement	75
Operation	20	Ruido	48	Bruit	76
Noise	21	Temperatura y humedad	49	Température et humidité	77
Temperature and Moisture	22	Hielo y agua	50	Glaçons et eau	78
Ice and Water	23	Puertas	52	Portes	80
Doors	25	HOJA DE DATOS DEL RENDIMIENTO	53	FEUILLE DE DONNÉES SUR LA PERFORMANCE	81
WATER FILTER CERTIFICATIONS	25	GARANTÍA	54	GARANTIE	82
PERFORMANCE DATA SHEET	26				
WARRANTY	27				

REFRIGERATOR SAFETY

Your safety and the safety of others are very important.

We have provided many important safety messages in this manual and on your appliance. Always read and obey all safety messages.



This is the safety alert symbol.

This symbol alerts you to potential hazards that can kill or hurt you and others.

All safety messages will follow the safety alert symbol and either the word "DANGER" or "WARNING."

These words mean:

⚠ DANGER

You can be killed or seriously injured if you don't immediately follow instructions.

⚠ WARNING

You can be killed or seriously injured if you don't follow instructions.

All safety messages will tell you what the potential hazard is, tell you how to reduce the chance of injury, and tell you what can happen if the instructions are not followed.

IMPORTANT SAFETY INSTRUCTIONS

WARNING: To reduce the risk of fire, electric shock, or injury when using your refrigerator, follow these basic precautions:

- Plug into a grounded 3 prong outlet.
- Do not remove ground prong.
- Do not use an adapter.
- Do not use an extension cord.
- Disconnect power before servicing.
- Replace all parts and panels before operating.
- Remove doors from your old refrigerator.
- Use nonflammable cleaner.
- Keep flammable materials and vapors, such as gasoline, away from refrigerator.
- Use two or more people to move and install refrigerator.
- Disconnect power before installing ice maker (on ice maker kit ready models only).
- Use a sturdy glass when dispensing ice (on some models).
- Do not hit the refrigerator glass doors (on some models).

SAVE THESE INSTRUCTIONS

Proper Disposal of Your Old Refrigerator

⚠ WARNING

Suffocation Hazard

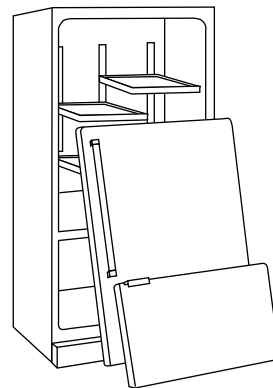
Remove doors from your old refrigerator.

Failure to do so can result in death or brain damage.

IMPORTANT: Child entrapment and suffocation are not problems of the past. Junked or abandoned refrigerators are still dangerous – even if they will sit for "just a few days." If you are getting rid of your old refrigerator, please follow these instructions to help prevent accidents.

Before You Throw Away Your Old Refrigerator or Freezer:

- Take off the doors.
- Leave the shelves in place so that children may not easily climb inside.



Important information to know about disposal of refrigerants:

Dispose of refrigerator in accordance with Federal and Local regulations. Refrigerants must be evacuated by a licensed, EPA certified refrigerant technician in accordance with established procedures.

INSTALLATION INSTRUCTIONS

Unpack the Refrigerator

⚠ WARNING

Excessive Weight Hazard

Use two or more people to move and install refrigerator.

Failure to do so can result in back or other injury.

Remove the Packaging

- Remove tape and glue residue from surfaces before turning on the refrigerator. Rub a small amount of liquid dish soap over the adhesive with your fingers. Wipe with warm water and dry.
- Do not use sharp instruments, rubbing alcohol, flammable fluids, or abrasive cleaners to remove tape or glue. These products can damage the surface of your refrigerator. For more information, see "Refrigerator Safety."
- Dispose of/recycle all packaging materials.

When Moving Your Refrigerator:

Your refrigerator is heavy. When moving the refrigerator for cleaning or service, be sure to cover the floor with cardboard or hardboard to avoid floor damage. Always pull the refrigerator straight out when moving it. Do not wiggle or "walk" the refrigerator when trying to move it, as floor damage could occur.

Clean Before Using

After you remove all of the packaging materials, clean the inside of your refrigerator before using it. See the cleaning instructions in "Refrigerator Care."

Important information to know about glass shelves and covers:

Do not clean glass shelves or covers with warm water when they are cold. Shelves and covers may break if exposed to sudden temperature changes or impact, such as bumping. Tempered glass is designed to shatter into many small, pebble-size pieces. This is normal. Glass shelves and covers are heavy. Use both hands when removing them to avoid dropping.

Location Requirements

⚠ WARNING



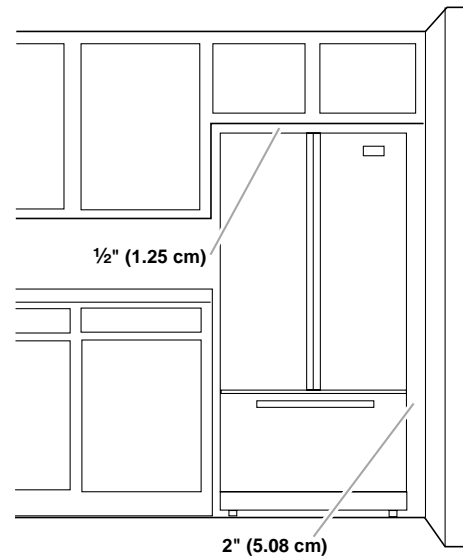
Explosion Hazard

Keep flammable materials and vapors, such as gasoline, away from refrigerator.

Failure to do so can result in death, explosion, or fire.

To ensure proper ventilation for your refrigerator, allow for a ½" (1.25 cm) of space on each side and at the top. Allow for a 1" (2.54 cm) space behind the refrigerator. If your refrigerator has an ice maker, allow extra space at the back for the water line connections. When installing your refrigerator next to a fixed wall, leave a 2" (5.08 cm) minimum space between the refrigerator and wall to allow the door to swing open.

NOTE: This refrigerator is intended for use in a location where the temperature ranges from a minimum of 55°F (13°C) to a maximum of 110°F (43°C). The preferred room temperature range for optimum performance, which reduces electricity usage and provides superior cooling, is between 60°F (15°C) and 90°F (32°C). It is recommended that you do not install the refrigerator near a heat source, such as an oven or radiator.



Remove and Replace Refrigerator Doors and Drawer Front

Depending on the width of your door opening, it may be necessary to remove the refrigerator doors to move the refrigerator into your home.

Remove Doors and Hinges

IMPORTANT:

- If the refrigerator was previously installed and you are moving it out of the home, before you begin, turn the refrigerator control OFF, and unplug the refrigerator or disconnect power. Remove food and any adjustable door or utility bins from doors.
- Keep the refrigerator doors closed until you are ready to lift them free from the cabinet. Provide additional support for the refrigerator door while the hinges are being removed. Do not depend on the door gasket magnets to hold the door in place while you are working.
- All graphics referenced in the following instructions are included later in this section after "Final Steps."

TOOLS NEEDED: 5/16", 3/8", and 1/4" hex head socket wrenches, Torx^{®†} T25 screwdriver, #2 Phillips screwdriver, and a flat-blade screwdriver.

Remove Doors and Hinges

1. Unplug refrigerator or disconnect power.
2. Remove the base grille. Grasp the grille firmly and pull it toward you.
3. Starting with the right-hand side door, remove the parts for the top hinge as shown in Top Hinge graphic. Lift the refrigerator door from the bottom hinge pin.
4. Remove the hinge pin cover from the bottom hinge pin and keep it for later use. See Bottom Hinge graphic.
5. Remove top hinge cover from the left-hand side refrigerator door. Remove the parts for the top hinge as shown in Top Hinge graphic.

External Dispenser Models Only:

- Disconnect the wiring plug, located under the top left-hand side door hinge, by wedging a flat-blade screwdriver or your fingernail between the two sections. See Wiring Plug graphic.
 - Disconnect the water line, located under the top left-hand side door hinge, by pulling back on the locking collar while pulling the water line out of the water line connector. See Water Dispenser Tubing Connection graphic.
6. Lift the left-hand side door from the bottom hinge pin.
NOTE: On some models, remove the hinge pin cover from the bottom hinge pin and keep it for later use. See Bottom Hinge graphic.

Replace Doors and Hinges

1. Replace the parts for the bottom hinge as shown in Bottom Hinge graphic. Tighten screws. Replace the refrigerator door.
NOTE: Provide additional support for the refrigerator door while the hinges are being moved. Do not depend on the door gasket magnets to hold the door in place while you are working.
2. Assemble the parts for the top hinges as shown in Top Hinge graphic. Do not tighten the screws completely.
External Dispenser Models Only:
 - Reconnect the wiring plug on top of the left-hand side refrigerator door.
 - Reconnect the water line by pulling back the locking collar ring while firmly pushing the water line into the connector. Check for leaks.
3. Align the door so that the bottom of the refrigerator door aligns evenly with the top of the freezer drawer. Tighten all screws.
4. Replace the top hinge covers.

Remove and Replace Freezer Drawer Front

IMPORTANT: Two people may be required to remove and replace the freezer drawer. Graphics are included later in this section.

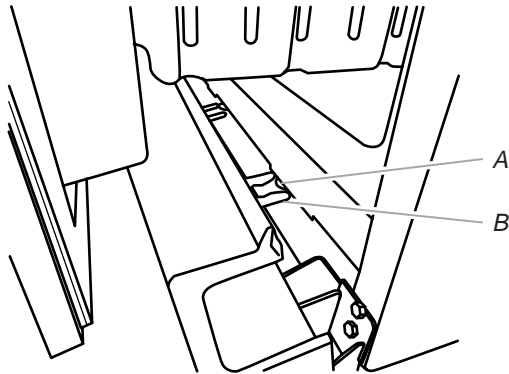
Remove Drawer Front

1. Open the freezer drawer to full extension.
2. Loosen the four screws attaching the drawer glides to the drawer front. See Drawer Front Removal graphic.
NOTE: Loosen screws three to four turns. Keep the screws in the drawer front.
3. Lift drawer front upward and off the screws. See Drawer Front Removal graphic.
4. The refrigerator leveling/roller assembly protrudes from each side of the cabinet base. Remove the three screws attaching each assembly, and remove the assemblies. See Refrigerator Leveling/Roller Assembly graphic.

†@TORX is a registered trademark of Saturn Fasteners, Inc.

Replace Drawer Front

1. Align the leveling/roller assembly with the holes on each side of the refrigerator cabinet. Using the screws removed, reinstall the assemblies to the cabinet base. Tighten the screws completely.
2. Slide the drawer glides out of the freezer compartment. Insert the screws in the top of the drawer front into the slots in the drawer brackets. See Drawer Front Replacement graphic.
3. Pull the drawer brackets toward you to position the two screws in the bottom of the drawer front into the brackets. Completely tighten the four screws. See Drawer Front Replacement graphic.
4. Replace the base grille.
 - Pull open the freezer drawer.
 - Align the three clips on the back of the base grille with the three tabs at the base of the refrigerator.
 - Push the base grille in toward the refrigerator until it is firmly in place.



A. Tab
B. Clip

Final Steps

⚠ WARNING



Electrical Shock Hazard

Plug into a grounded 3 prong outlet.

Do not remove ground prong.

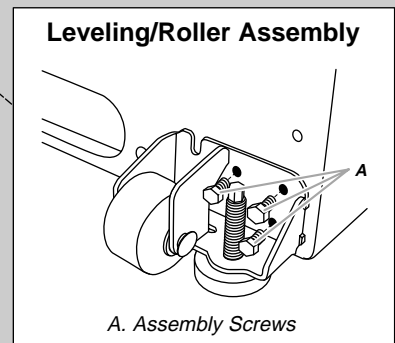
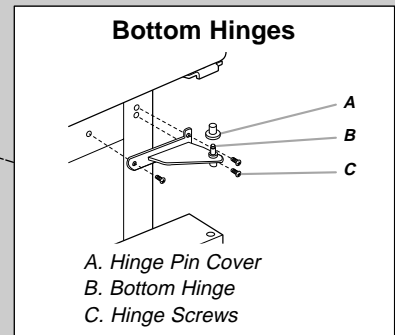
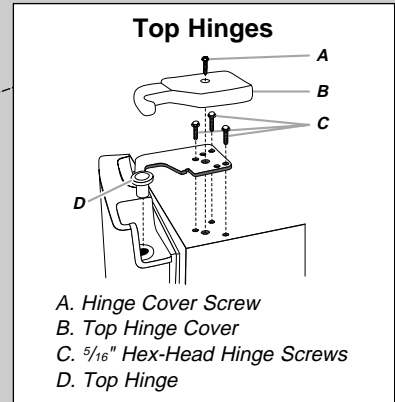
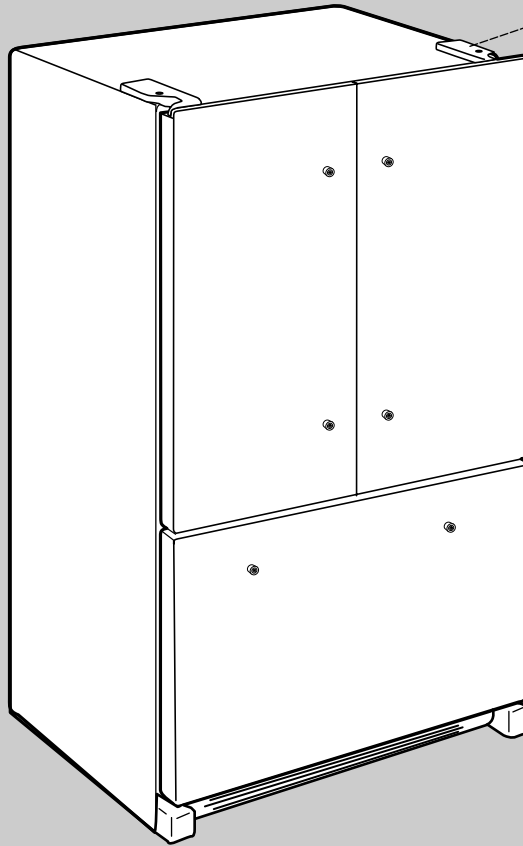
Do not use an adapter.

Do not use an extension cord.

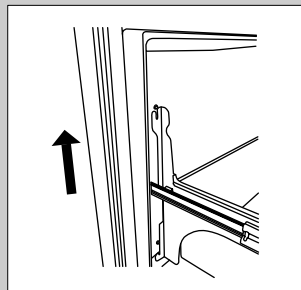
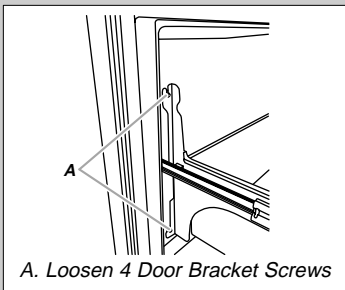
Failure to follow these instructions can result in death, fire, or electrical shock.

1. Plug into a grounded 3 prong outlet.
2. Return all removable parts to doors and drawer and food to refrigerator and freezer.

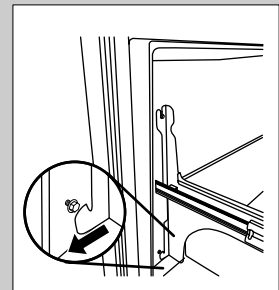
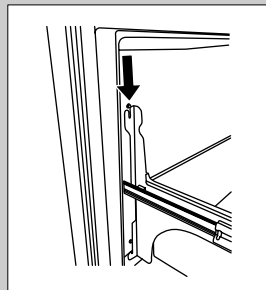
Door Removal and Replacement



Drawer Front Removal

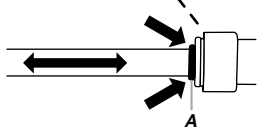
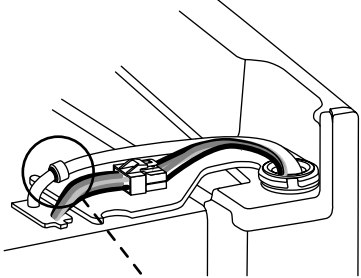


Drawer Front Replacement



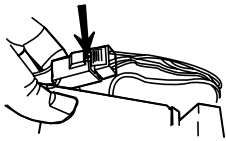
Door Removal and Replacement

Water Dispenser Tubing Connection

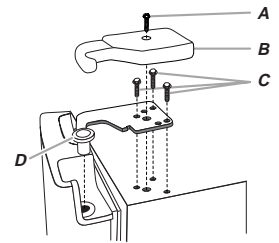


A. Blue Outer Ring

Wiring Plug

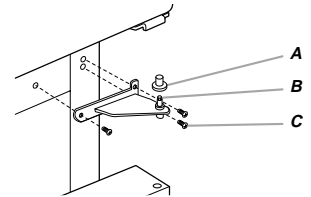


Top Hinges



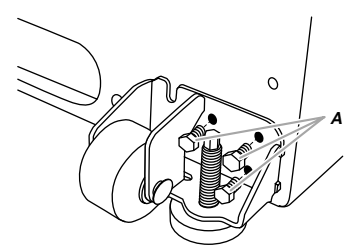
- A. Hinge Cover Screw
- B. Top Hinge Cover
- C. 5/16" Hex-Head Hinge Screws
- D. Top Hinge

Bottom Hinges



- A. Hinge Pin Cover
- B. Bottom Hinge
- C. Hinge Screws

Leveling/Roller Assembly



A. Assembly Screws

Electrical Requirements

⚠ WARNING



Electrical Shock Hazard

Plug into a grounded 3 prong outlet.

Do not remove ground prong.

Do not use an adapter.

Do not use an extension cord.

Failure to follow these instructions can result in death, fire, or electrical shock.

Before you move your refrigerator into its final location, it is important to make sure you have the proper electrical connection.

Recommended Grounding Method

A 115 volt, 60 Hz., AC only 15- or 20-amp fused, grounded electrical supply is required. It is recommended that a separate circuit serving only your refrigerator be provided. Use an outlet that cannot be turned off by a switch. Do not use an extension cord.

NOTE: Before performing any type of installation, cleaning, or removing a light bulb, turn Cooling OFF, and then disconnect the refrigerator from the electrical source. When you are finished, reconnect the refrigerator to the electrical source and turn Cooling ON. See "Using the Control(s)."

Water Supply Requirements

A cold water supply with water pressure between 30 and 120 psi (207 and 827 kPa) is required to operate the water dispenser and ice maker. If you have questions about your water pressure, call a licensed, qualified plumber.

Reverse Osmosis Water Supply

IMPORTANT: The pressure of the water supply coming out of a reverse osmosis system going to the water inlet valve of the refrigerator needs to be between 30 and 120 psi (207 and 827 kPa).

If a reverse osmosis water filtration system is connected to your cold water supply, the water pressure to the reverse osmosis system needs to be a minimum of 40 to 60 psi (276 to 414 kPa).

If the water pressure to the reverse osmosis system is less than 40 to 60 psi (276 to 414 kPa):

- Check to see whether the sediment filter in the reverse osmosis system is blocked. Replace the filter if necessary.
- Allow the storage tank on the reverse osmosis system to refill after heavy usage. The tank capacity could be too low to keep up with the requirements of the refrigerator.
- If your refrigerator has a water filter, it may further reduce the water pressure when used in conjunction with a reverse osmosis system. Remove the water filter. See "Water Filtration System."

If you have questions about your water pressure, call a licensed, qualified plumber.

Connect the Water Supply

Read all directions before you begin.

IMPORTANT:

- All installations must meet local plumbing code requirements.
- Use copper tubing or Whirlpool supply line, Part Number 8212547RP, and check for leaks.
- Install copper tubing only in areas where the temperatures will remain above freezing.

TOOLS NEEDED:

Gather the required tools and parts before starting installation. Read and follow the instructions provided with any tools listed here.

- Flat-blade screwdriver
- 1/4" Nut driver
- 7/16" and 1/2" Open-end or two adjustable wrenches
- 1/4" Drill bit
- Cordless drill

NOTE: Your refrigerator dealer has a kit available with a 1/4" (6.35 mm) saddle-type shutoff valve, a union, and copper tubing. Before purchasing, make sure a saddle-type valve complies with your local plumbing codes. Do not use a piercing-type or 3/16" (4.76 mm) saddle valve which reduces water flow and clogs more easily.

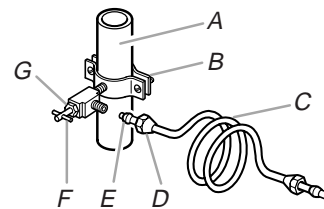
Connect to Water Line

Style 1

1. Unplug refrigerator or disconnect power.
2. Turn OFF main water supply. Turn ON nearest faucet long enough to clear line of water.
3. Locate a 1/2" to 1 1/4" (1.25 cm to 3.18 cm) vertical cold water pipe near the refrigerator.

IMPORTANT:

- Make sure it is a cold water pipe.
 - Horizontal pipe will work, but drill on the top side of the pipe, not the bottom. This will help keep water away from the drill and normal sediment from collecting in the valve.
4. Determine the length of copper tubing you need. Measure from the connection on the lower left rear of refrigerator to the water pipe. Add 7 ft (2.1 m) to allow for cleaning. Use 1/4" (6.35 mm) O.D. (outside diameter) copper tubing. Be sure both ends of copper tubing are cut square.
 5. Using a cordless drill, drill a 1/4" hole in the cold water pipe you have selected.



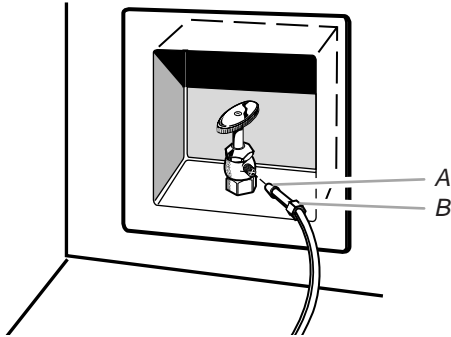
- A. Cold water pipe
- B. Pipe clamp
- C. Copper tubing
- D. Compression nut
- E. Compression sleeve
- F. Shutoff valve
- G. Packing nut

6. Fasten the shutoff valve to the cold water pipe with the pipe clamp. Be sure the outlet end is solidly in the 1/4" (6.35 mm) drilled hole in the water pipe and that the washer is under the pipe clamp. Tighten the packing nut. Tighten the pipe clamp screws slowly and evenly so washer makes a watertight seal. Do not overtighten or you may crush the copper tubing.

- Slip the compression sleeve and compression nut onto the copper tubing as shown. Insert the end of the tubing into the outlet end squarely as far as it will go. Screw compression nut onto outlet end with adjustable wrench. Do not overtighten.
- Place the free end of the tubing in a container or sink, and turn ON the main water supply. Flush the tubing until water is clear. Turn OFF the shutoff valve on the water pipe. Coil the copper tubing.

Style 2

- Unplug refrigerator or disconnect power.
- Remove and discard the black nylon plug from the gray water tube on the rear of the refrigerator.
- Thread the provided nut onto the water valve as shown.
NOTE: Tighten the nut by hand. Then tighten it with a wrench two more turns. Do not overtighten.



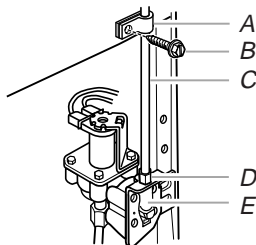
A. Bulb
B. Nut (provided)

- Turn shutoff valve ON.
- Check for leaks. Tighten any nuts or connections (including connections at the valve) that leak.

Connect to Refrigerator

Style 1

- Unplug refrigerator or disconnect power.
- Attach the copper tube to the valve inlet using a compression nut and sleeve as shown. Tighten the compression nut. Do not overtighten.
- Use the tube clamp on the back of the refrigerator to secure the tubing to the refrigerator as shown. This will help avoid damage to the tubing when the refrigerator is pushed back against the wall.
- Turn shutoff valve ON.
- Check for leaks. Tighten any connections (including connections at the valve) or nuts that leak.

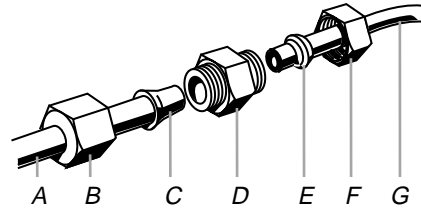


A. Tube clamp
B. Tube clamp screw
C. Copper tubing
D. Compression nut
E. Valve inlet

- On models with ice makers, the ice maker is equipped with a built-in water strainer. If your water conditions require a second water strainer, install it in the 1/4" (6.35 mm) water line at either tube connection. Obtain a water strainer from your nearest appliance dealer.

Style 2

- Unplug refrigerator or disconnect power.
- Remove and discard the black nylon plug from the gray water tube on the rear of the refrigerator.
- If the gray water tube supplied with the refrigerator is not long enough, a 1/4" x 1/4" (6.35 mm x 6.35 mm) coupling is needed in order to connect the water tubing to an existing household water line. Thread the provided nut onto the coupling on the end of the copper tubing.
NOTE: Tighten the nut by hand. Then tighten it with a wrench two more turns. Do not overtighten.



A. Refrigerator water tubing
B. Nut (provided)
C. Bulb
D. Coupling (provided)
E. Ferrule (purchased)
F. Nut (purchased)
G. Household water line

- Turn shutoff valve ON.
- Check for leaks. Tighten any nuts or connections (including connections at the valve) that leak.

Complete the Installation

⚠ WARNING



Electrical Shock Hazard

Plug into a grounded 3 prong outlet.

Do not remove ground prong.

Do not use an adapter.

Do not use an extension cord.

Failure to follow these instructions can result in death, fire, or electrical shock.

- Plug into a grounded 3 prong outlet.

NOTES:

- Allow 24 hours to produce the first batch of ice. Discard the first three batches of ice produced. Allow 3 days to completely fill ice container.
- For models with a water dispenser, flush the water system. See "Water Dispenser."

Handle Installation and Removal

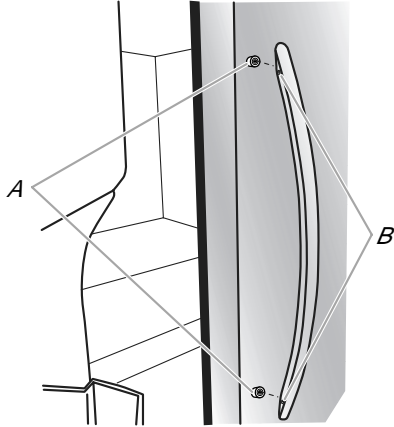
Parts Included: Refrigerator door handles (2), Freezer drawer handle (1)

Tools Needed: 1/8" Hex key wrench

Install Door Handles

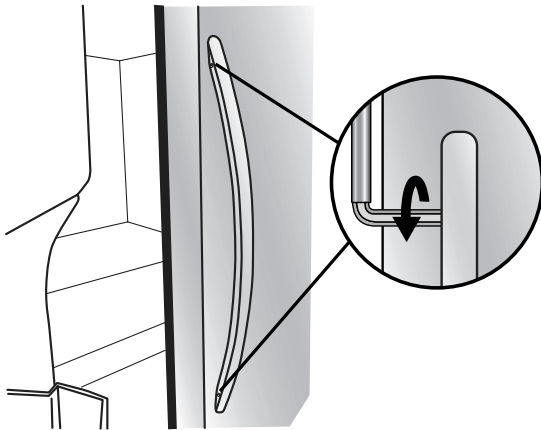
NOTE: Handle mounting setscrews are preinstalled inside the handle.

1. Remove the handles from the packaging inside the refrigerator.
2. Open a refrigerator door. On the opposite door, place the handle on the shoulder screws with the setscrews facing the adjacent door.



A. Shoulder screws
B. Setscrews inside the handle

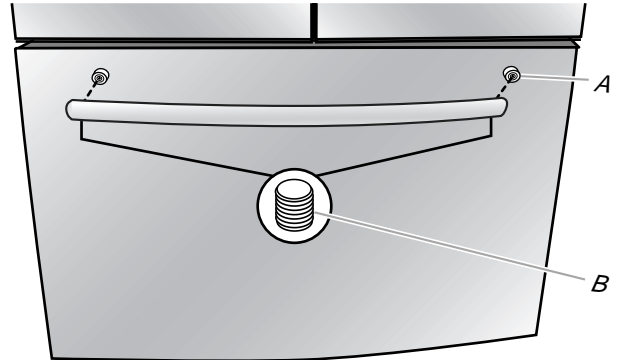
3. Firmly push the handle toward the door until the handle base is flush against the door.
4. While holding the handle, insert the short end of the hex key into the upper hole and slightly rotate the hex key until it is engaged in the setscrew.



5. Using a clockwise motion tighten the setscrew until the screw feels tight.
6. Repeat steps 4 and 5 to fasten the lower setscrew.
IMPORTANT: When the screws feel tight, tighten them an additional quarter-turn. The handle is not properly installed without this extra tightening.
7. Repeat steps 2 through 6 to install the other handle onto the adjacent refrigerator door.

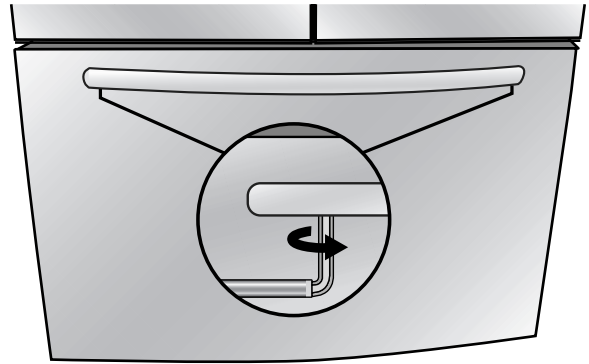
Install Drawer Handle

1. With the freezer drawer closed, place the handle on the shoulder screws with the setscrews facing down toward the floor.



A. Shoulder screw
B. Setscrews inside the handle

2. Firmly push the handle toward the drawer until the handle base is flush against the drawer.
3. Insert the short end of the hex key into the left-hand hole and slightly rotate the hex key until it is engaged in the setscrew.



4. Using a left to right motion tighten the setscrew a quarter-turn at a time. Repeat until the screw feels tight.
5. Repeat steps 3 and 4 to fasten the right-hand setscrew to the shoulder screw.

IMPORTANT: When the screws feel tight, tighten them an additional quarter-turn. The handle is not properly installed without this extra tightening.

6. Save the hex key and all instructions.

Remove the Handles

1. While holding the handle, insert the short end of the hex key into a setscrew hole and slightly rotate the hex key until it is engaged in the setscrew.
2. Using a right to left motion loosen the setscrew a quarter-turn at a time.
3. Repeat steps 1 and 2 for the other setscrew. Slowly pull the handle away from the door or drawer.
4. If necessary, use a Phillips screwdriver to remove the shoulder screws from the door.

Door Closing and Door Alignment

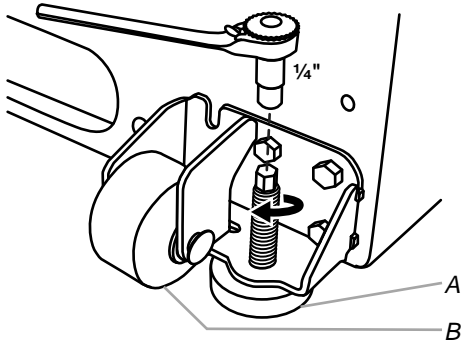
IMPORTANT: To comply with American Disabilities Act (ADA) guidelines, fully retract the rollers into the cabinet to lower the refrigerator.

Door Closing

The base grille covers the leveling screws and roller assemblies located at the bottom of the refrigerator cabinet below the freezer drawer. Before making adjustments, remove the base grille and move the refrigerator to its final location.

1. Remove the base grille. Grasp the grille firmly and pull it toward you.
2. Move the refrigerator to its final location.
NOTE: To allow the refrigerator to roll easier, raise the leveling legs off the floor by turning the leveling screws counterclockwise. The front rollers will be touching the floor.
3. So the doors will close easier, use a ¼" hex driver to turn both leveling screws clockwise. This will raise the front of the refrigerator tilting it slightly downward to the rear. Turn both leveling screws the same amount.

NOTE: Having someone push against the top of the refrigerator takes some weight off the leveling screws. This makes it easier to turn the screws.

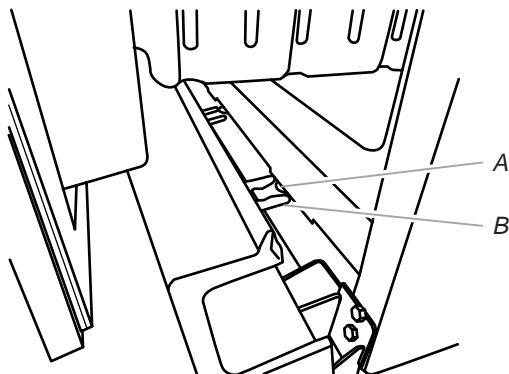


A. Leveling screw
B. Front roller

4. Open both doors again to make sure they close as easily as you like and that they stay closed. If not, tilt the refrigerator slightly more to the rear by turning both leveling screws to the right. It may take several more turns.

NOTE: To keep the refrigerator level, you should turn both leveling screws the same amount.

5. Replace the base grille.
 - Pull open the freezer drawer.
 - Align the three clips on the back of the base grille with the three tabs at the base of the refrigerator.
 - Push the base grille in toward the refrigerator until it is firmly in place.



A. Tab
B. Clip

Door Alignment

If the space between the refrigerator doors and freezer drawer looks uneven, you can adjust it using the following instructions:

1. Remove the top hinge cover.
2. Loosen the top hinge screws using a 5/16" socket or wrench.
3. Have someone hold the door in place or put a spacer between the doors and drawer.
4. Tighten the top hinge screws once the door is in the desired location.
5. Replace the top hinge cover.

FILTERS AND ACCESSORIES

Water Filtration System

Do not use with water that is microbiologically unsafe or of unknown quality without adequate disinfection before or after the system. Systems certified for cyst reduction may be used on disinfected waters that may contain filterable cysts.

Water Filter Status Light

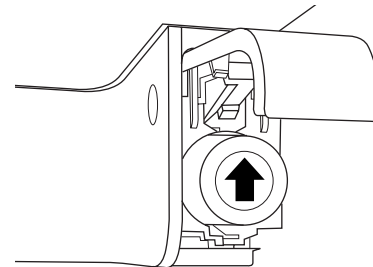
The water filter status light on the control panel will help you know when to order and replace the water filter.

- GOOD - The water filter icon on the control lights up in BLUE.
- ORDER a replacement filter - The water filter icon on the control lights up in YELLOW.
- REPLACE the water filter - The water filter icon on the control lights up in RED and "Replace Filter" will appear on the display.
- EXPIRED - The water filter icon lights up in RED and "Replace Filter" flashes on the display.

NOTE: If water flow to your water dispenser or ice maker decreases noticeably, change the filter sooner. The disposable water filter should be replaced at least every 6 months, depending on your water quality and usage.

- After changing the water filter, reset the status. Press and hold the WATER FILTER button for 3 seconds. When the system is reset, the water filter icon will return to its BLUE color and the words "Replace Filter" will disappear from the display.

Changing the Water Filter



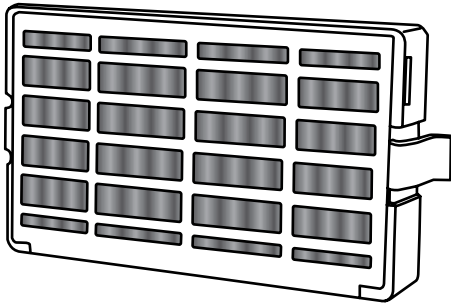
1. Locate the water filter in the top-right corner of the refrigerator compartment.
2. Lift open the filter cover door. The filter will be released and then eject as the door is opened.
3. When the door is completely open, pull the filter straight out.
NOTE: There may be some water in the filter. Some spilling may occur. Use a towel to wipe up any spills.

- Take the new filter out of its packaging and remove the covers from the O-rings. Be sure the O-rings are still in place after the covers are removed.
- With the arrow pointing up, align the new filter with the filter housing and slide it into place. The filter cover door will automatically begin to close as the new filter is inserted.
- Close the filter cover door completely in order to snap the filter into place. You may need to press hard.
- Flush the water system. See “Water Dispenser” or “Water and Ice Dispensers.”

Install Air Filter (on some models)

The air filter reduces the buildup of odors. This helps to maintain a cleaner environment inside the refrigerator.

On some models, your refrigerator’s accessory packet includes an air filter, which must be installed prior to use. On some models, the air filter is already installed at the factory.



Installing the Air Filter

Install the air filter behind the vented door, located along the rear interior wall of the refrigerator compartment.

- Remove the air filter from its packaging.
 - NOTE:** An air filter status indicator is included with the air filter. The indicator is not needed for models that display the air filter status on the control panel.
- Lift open the vented door.
- Snap the filter into place.

Air Filter Status Indicator

The control panel displays the Air Filter status.

- GOOD** - The air filter icon on the control lights up in BLUE.
- ORDER** a replacement - The air filter icon on the control lights up in YELLOW.
- REPLACE** air filter - The air filter icon on the control lights up in RED and “Replace Filter” will appear.
- EXPIRED** - The air filter icon lights up in RED and “Replace Filter” flashes on the control display.

After replacing the air filter, press and hold the AIR FILTER button for 3 seconds. The filter icons will turn off. See “Using the Control(s).” When the system is reset, the air filter icon will return to its BLUE color and the words “Replace Filter” will disappear from the display.

NOTE: At any filter status, pressing and holding the AIR FILTER button for 3 seconds will reset the air filter status to Good and the air filter icon will turn off.

Replacing the Air Filter

The disposable air filter should be replaced every 6 months, or when the status indicator air filter icon turns on and starts flashing when the refrigerator door is opened.

To order a replacement air filter, contact us. See “Accessories.”

- Remove the used air filter by squeezing in on the side tabs.
- Install the new air filter and reset the status indicator using the instructions in the previous section.

Install Produce Preserver (on some models)

The accessory packet includes two produce preserver pouches, which should be installed in a crisper drawer prior to use.

NOTE: For best performance, always use two pouches.

The produce preserver absorbs ethylene, to slow the ripening process of many produce items. As a result, certain produce items will stay fresh longer.

Ethylene production and sensitivity varies depending on the type of fruit or vegetable. To preserve freshness, it is best to separate produce with sensitivity to ethylene from fruits that produce moderate to high amounts of ethylene.

	Produces Ethylene			
	Very Low	Low	High	Very High
Sensitivity to Ethylene				
High	Broccoli Lettuce Spinach			Apples Pears
Med.	Asparagus Citrus fruit		Cantaloupe	
Low	Carrots Grapes	Berries		

Installing the Produce Preserver

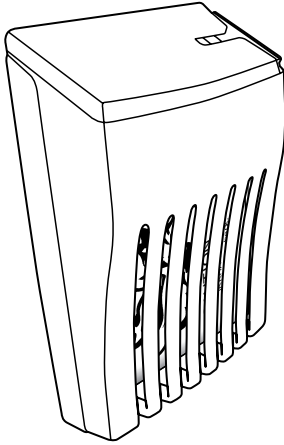
CAUTION: IRRITANT

MAY IRRITATE EYES AND SKIN. DANGEROUS FUMES FORM WHEN MIXED WITH OTHER PRODUCTS.

Do not mix with cleaning products containing ammonia, bleach or acids. Do not get in eyes, on skin or clothing. Do not breathe dust. Keep out of reach of children.

FIRST AID TREATMENT: Contains potassium permanganate. If swallowed, call a Poison Control Center or doctor immediately. Do not induce vomiting. If in eyes, rinse with water for 15 minutes. If on skin, rinse with water.

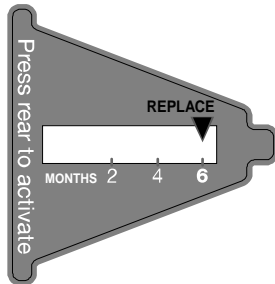
The produce preserver pouches should be installed in the housing, located on the wall of one of the crisper drawers.



1. Remove the FreshFlow™ Produce Preserver pouches from the packaging.
2. Lift up on the housing to remove it from the mounting tab.
3. Open the housing by pulling up and out on the back of the top of the housing.
4. Place both pouches inside the housing, then snap the housing back together.
5. Place the housing back on the mounting tab.

Installing the Status Indicator

The produce preserver comes with a status indicator, which should be activated and installed at the same time the pouches are installed.



1. Place the indicator face-down on a firm, flat surface.
2. Apply pressure to the bubble on the back of the indicator until the bubble pops, to activate the indicator.
3. Slide open the cap on the top of the produce preserver housing.
4. Place the indicator in the top of the housing, facing outward.
5. Slide the cap closed, and check that the indicator is visible through the rectangular hole in the cap.

NOTE: The cap will not easily close if the indicator's bubble has not been popped.

Replacing the Produce Preserver

The disposable pouches should be replaced every 6 months, when the status indicator has completely changed from white to red.

To order replacements, contact us. See "Accessories" for information on ordering.

1. Remove the used pouches from the produce preserver housing.
2. Remove the used status indicator.
3. Install the replacement pouches and status indicator using the instructions in the previous sections.

Accessories

The following accessories are available for your refrigerator. To order, contact us and ask for the part numbers.

In the U.S.A., visit our web page www.whirlpool.com/accessories or call 1-800-901-2042.

In Canada, visit our web page www.whirlpoolparts.ca or call 1-800-807-6777.

affresh™† Stainless Steel Cleaner:

Order Part #W10355016

affresh™† Stainless Steel Wipes:

Order Part #W10355049

affresh™† Kitchen & Appliance Cleaner:

Order Part #W10355010

Water Filter:

Order Part #W10295370A or FILTER1

Air Filter:

Order Part #W10311524 or AIR1

Produce Preserver:

Order Part #W10346771A or FRESH1

Water Filter, Air Filter and Ethylene Filter Bundle Pack:

Order Part #W10443987BL

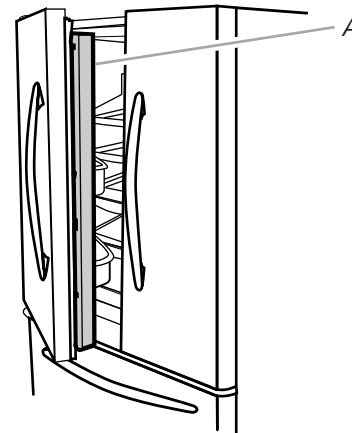
REFRIGERATOR USE

Opening and Closing Doors

There are two refrigerator compartment doors. The doors can be opened and closed either separately or together.

There is a vertically-hinged seal on the left refrigerator door.

- When the left side door is opened, the hinged seal automatically folds inward so that it is out of the way.
- When both doors are closed, the hinged seal automatically forms a seal between the two doors.



A. Hinged seal

Using the Controls

IMPORTANT:

- Wait 24 hours for your refrigerator to cool completely before adding food. If you add food before the refrigerator has cooled completely, your food may spoil.

NOTE: Adjusting the refrigerator and freezer temperature controls to a colder than recommended setting will not cool the compartments any faster.

- The recommended setting should be correct for normal household refrigerator use. The controls are set correctly when milk or juice is as cold as you like and when ice cream is firm.

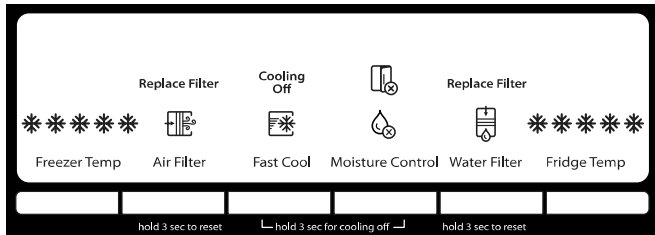
†™ AFFRESH is a Trademark of Whirlpool, U.S.A.

- If the temperature is too warm or too cold in the refrigerator or freezer, first check the air vents to be sure they are not blocked before adjusting the controls.

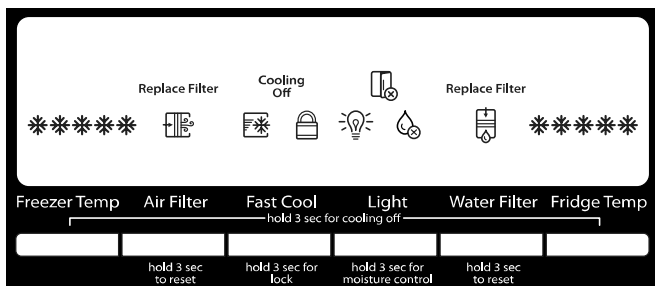
Control Panel

Depending on your model, your refrigerator has either an internal control panel, located at the top of the refrigerator compartment, or an external control panel, located above the external water dispenser. Follow the instructions specific to your model.

Internal Control Panel

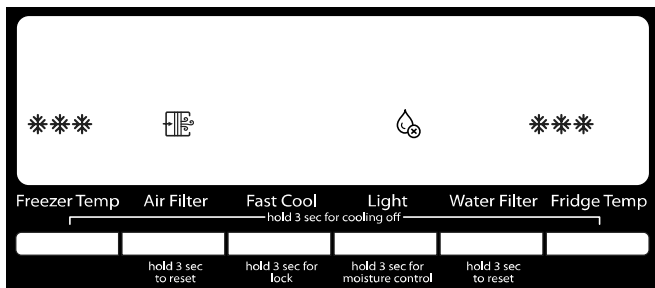


External Control Panel



IMPORTANT (External Control only): The display screen on the dispenser control panel will turn off automatically and enter “sleep” mode when the control buttons and dispenser paddles have not been used for 2 minutes or more. While in “sleep” mode, the first press of a control button will only reactivate the display screen, without changing any settings. After reactivation, changes to any settings can then be made. If no changes are made within 2 minutes, the display will re-enter “sleep” mode.

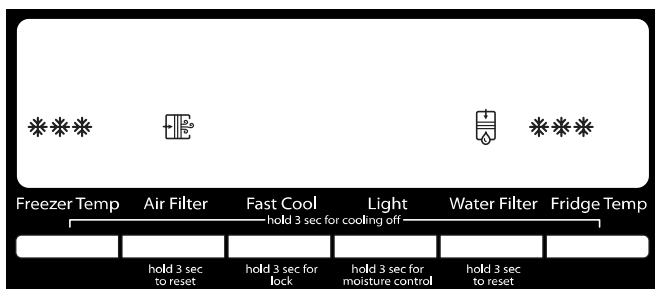
- Touch any control button on the dispenser panel to activate the display screen.



Temperature Control

For your convenience, the temperature control is preset at the factory. When you first install your refrigerator, make sure the control is still set to the recommended setting as shown.

Recommended Setting “3 Snowflakes”



Adjusting the Controls

If you need to adjust the temperature in either the refrigerator or freezer compartment, use the settings listed in the following chart as a guide.

- Press the TEMP button to display the desired number of snowflakes from 1 snowflake (least cold) to all 5 snowflakes (coldest).

NOTE: Except when starting the refrigerator, do not adjust the control more than one setting at a time. Wait 24 hours between adjustments for the temperature to stabilize.

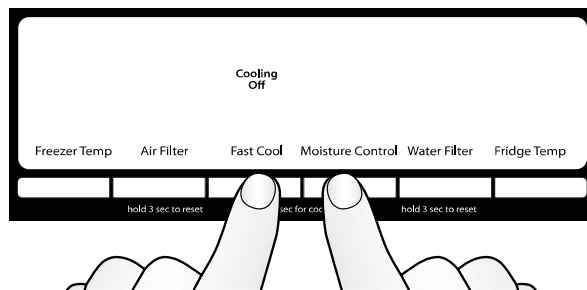
CONDITION/REASON:	ADJUSTMENT:
REFRIGERATOR too warm	FRIDGE TEMP one more snowflake
FREEZER too warm/too little ice	FREEZER TEMP one more snowflake
REFRIGERATOR too cold	FRIDGE TEMP one less snowflake
FREEZER too cold	FREEZER TEMP one less snowflake

Cooling On/Off

Your refrigerator and freezer will not cool when cooling is turned off. Follow the directions specific to your model.

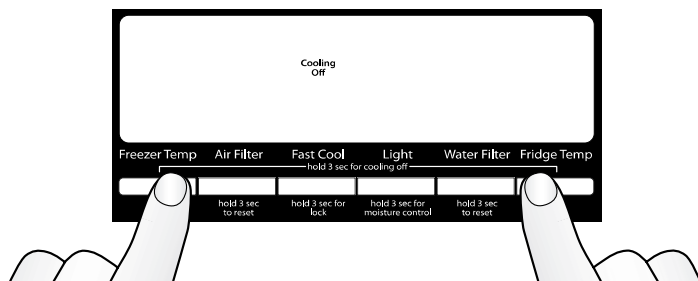
Internal Control Panel

- To turn cooling off, press and hold both the FAST COOL and MOISTURE CONTROL buttons at the same time for 3 seconds. When cooling is off, “Cooling Off” will appear on the display screen.
- To turn cooling back on, press and hold both the FAST COOL and MOISTURE CONTROL buttons at the same time for 3 seconds. When cooling is on, “Cooling Off” will disappear and the previously selected settings will appear on the display screen.



External Control Panel

- To turn cooling off, press and hold both the FREEZER TEMP and FRIDGE TEMP buttons at the same time for 3 seconds. When cooling is off, “Cooling Off” will appear on the display screen.
- To turn cooling back on, press and hold both the FREEZER TEMP and FRIDGE TEMP buttons at the same time for 3 seconds. When cooling is on, “Cooling Off” will disappear and the previously selected settings will appear on the display screen.



Additional Features

Door Open Alarm

- The Door Open icon lights up whenever either door is opened.



- When either door is open for 5 minutes and cooling is on, an alert tone will sound three times, and the Door Open icon will flash seven times. This pattern will repeat every 2 minutes until all the doors are closed properly. The feature then resets and will reactivate when either door is left open again for 5 minutes.

NOTES:

- To mute the audible alarm while keeping the doors open, such as while cleaning the inside of the refrigerator, press any button on the control panel. The alarm sound will be temporarily turned off, but the Door Open icon will still be displayed on the dispenser control panel.
- Both doors must be fully closed to turn off the Door Open icon.

Fast Cool

The Fast Cool feature assists during times of high refrigerator use, full grocery loads or temporarily warm room temperatures.

- Press FAST COOL to set the freezer and refrigerator to the coldest temperature settings. Press FAST COOL again to return to the selected temperature set point.

NOTES:

- The Fast Cool icon will be illuminated while the refrigerator is in Fast Cool mode.
- The Fast Cool feature will turn off automatically after 24 hours.



Moisture Control

The moisture control feature turns on a heater to help reduce moisture on the door hinge seal. Use in humid environments or when you notice moisture on the door hinge seal. The refrigerator uses more energy when Moisture Control is on.

NOTE: The moisture control icon will light up to indicate the feature is on.

To turn on/off the moisture control feature:

- Internal Control Panel - Press and hold MOISTURE CONTROL for 3 seconds.
- External Control Panel - Press and hold LIGHT for 3 seconds.



Water Filter Status Light and Reset

The filter reset control allows you to restart the water filter status tracking feature each time you replace the water filter. See "Water Filtration System."

- Press and hold WATER FILTER for 3 seconds, to reset the water filter status to Good. The water filter icon will turn blue.



Air Filter Status Light and Reset

The filter reset control allows you to restart the air filter status tracking feature each time you replace the air filter. See "Install Air Filter."

- Press and hold AIR FILTER for 3 seconds, to reset the air filter status to Good. The air filter icon will turn blue.



Water Dispenser

(on some models)

IMPORTANT:

- Allow 3 hours for the refrigerator to cool down and chill water.
- Allow 24 hours to produce the first batch of ice. Discard the first three batches of ice produced.
- The dispensing system will not operate when the refrigerator door is open.

Flush the Water System

Air in the water dispensing system can cause the water dispenser to drip. After connecting the refrigerator to a water source or replacing the water filter, flush the water system.

Flushing the water dispensing system forces air from the water line and filter and prepares the water filter for use. Additional flushing may be required in some households.

NOTE: As air is cleared from the system, water may spurt out of the dispenser.

1. Using a sturdy container, depress and hold the water dispenser paddle for 5 seconds.
2. Release the dispenser paddle for 5 seconds.
3. Repeat steps 1 and 2 until water begins to flow.
4. Once water begins to flow, continue depressing and releasing the dispenser paddle (5 seconds on, 5 seconds off) until a total of 4 gal. (15 L) has been dispensed.

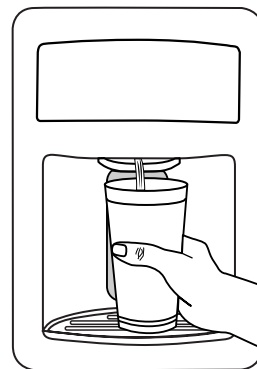
Dispense Water

IMPORTANT:

- The dispensing system will not operate when the refrigerator door is open.
- The display screen on the dispenser control panel will turn off automatically and enter "sleep" mode when the control buttons and dispenser paddles have not been used for 2 minutes or more. While in "sleep" mode, the first press of a control button will only reactivate the display screen, without changing any settings. After reactivation, changes to any settings can then be made. If no changes are made within 2 minutes, the display will re-enter "sleep" mode.

To dispense water:

1. Press a sturdy glass against the water dispenser paddle.
2. Remove the glass to stop dispensing.



Dispenser Light

When you use the dispenser, the light will automatically turn on. If you want the light to be on continuously, you may turn on the light. The light icon will illuminate when the light is on.



ON: Press LIGHT quickly to turn on the dispenser light.

OFF: Press LIGHT quickly to turn off the dispenser light.

NOTES:

- If you unintentionally press and hold the LIGHT button for 3 seconds or longer, you will turn on the Moisture Control feature. If this happens, press and hold LIGHT for 3 seconds again to turn off the Moisture Control feature.
- The dispenser lights are LEDs that cannot be changed. If it appears that your dispenser lights are not working, see “Troubleshooting” for more information.

Dispenser Lock

The dispenser can be turned off for easy cleaning or to avoid unintentional dispensing by small children and pets.

NOTE: The lock feature does not shut off power to the refrigerator, to the ice maker, or to the dispenser light. It simply deactivates the controls and dispenser paddles. To turn off the ice maker, see “Ice Maker and Storage Bin.”

- Press and hold FAST COOL for 3 seconds to lock the dispenser.
- Press and hold FAST COOL for 3 seconds again to unlock the dispenser.

The lock icon will illuminate when the dispenser is locked.



Ice Maker

(on some models)

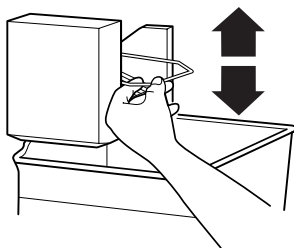
IMPORTANT: For models with a water filter, after connecting the refrigerator to a water source or replacing the water filter, fill and discard three full containers of ice to prepare the water filter for use.

Turning the Ice Maker On/Off

To turn the ice maker ON, simply lower the wire shutoff arm.

To manually turn the ice maker OFF, lift the wire shutoff arm to the OFF (arm up) position and listen for the click.

NOTE: Your ice maker has an automatic shutoff. As ice is made, the ice cubes will fill the ice storage bin and the ice cubes will raise the wire shutoff arm to the OFF (arm up) position. Do not force the wire shutoff arm up or down.



Ice Storage Bin

1. Wash the ice storage bin with mild soap and warm water.
2. Slide the ice storage bin under the ice maker, and push it toward the back as far as it will go.
3. Lower the arm on the ice maker to the “on” position.

NOTE: It usually takes approximately 24 hours for the ice maker to begin producing ice. You may notice the ice has an “off-taste.” If so, discard the first three batches of ice produced. After that the “off-taste” should be gone.

Ice Production Rate

- The ice maker should produce approximately 8 to 12 batches of ice in a 24-hour period. Allow 3 days to completely fill the ice container.
- To increase ice production, lower the freezer and refrigerator temperature. See “Using the Control(s).” Wait 24 hours between adjustments.

Remember

- The quality of your ice will be only as good as the quality of the water supplied to your ice maker. Avoid connecting the ice maker to a softened water supply. Water softener chemicals (such as salt) can damage parts of the ice maker and lead to poor quality ice. If a softened water supply cannot be avoided, make sure the water softener is operating properly and is well maintained.
- Do not use anything sharp to break up the ice in the bin. This can cause damage to the ice storage bin and the dispenser mechanism.
- Do not store anything on top of or in the ice maker or ice storage bin.

REFRIGERATOR FEATURES

NOTE: Your model may have some or all of these features.

Important information to know about glass shelves and covers:

Do not clean glass shelves or covers with warm water when they are cold. Shelves and covers may break if exposed to sudden temperature changes or impact, such as bumping. Tempered glass is designed to shatter into many small, pebble-size pieces. This is normal. Glass shelves and covers are heavy. Use both hands when removing them to avoid dropping.

Refrigerator Shelves

The shelves in your refrigerator are adjustable to match your individual storage needs.

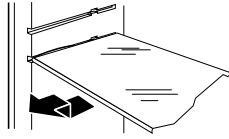
Glass Shelves

To remove a shelf:

1. Remove items from the shelf.
2. Slide the shelf straight out to the stop.
3. Depending on your model, lift the back or front of the shelf past the stop. Pull the shelf out the rest of the way.

To replace a shelf:

1. Slide the back of the shelf into the track in the wall of the cabinet.
2. Guide the front of the shelf into the shelf track. Be sure to slide the shelf in all the way.



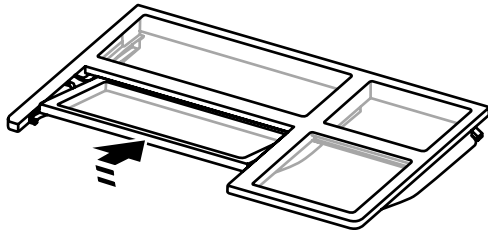
Fold Away Shelf (on some models)

To retract the fold away shelf:

- Retract the fold away section of the shelf by holding the front of the shelf with one hand and lifting up on the center front of the shelf. Then push back and down on the shelf until it slides beneath the back section of the shelf.

To replace the fold away shelf:

- Replace the fold away section of the shelf by holding the front of the shelf with one hand and pulling the center of the shelf until the fold away section is returned to its full shelf position.



Pantry Drawer

Pantry Drawer

To remove and replace the pantry drawer:

1. Slide pantry drawer out to the stop.
2. Lift front of pantry drawer with one hand while supporting bottom of drawer with other hand. Slide drawer out the rest of the way.
3. Replace the drawer by sliding it back in fully past the drawer stop.

Pantry Drawer Cover

To remove and replace the pantry drawer cover:

1. Remove the pantry drawer.
2. From underneath, push up on the glass cover and pull it out.
3. Replace the pantry drawer cover by lowering it into place.
4. Replace the pantry drawer.

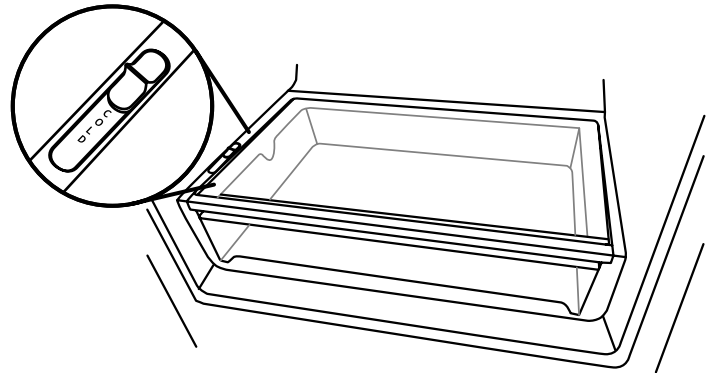
Pantry Drawer Control

The amount of air flowing through the pantry drawer affects the temperature inside the drawer.

The airflow control is located on the left side of the pantry drawer.

To adjust the airflow:

- Colder - Slide the control forward, toward the front of the pantry drawer. The airflow is open.
- Cold - Slide the control all the way toward the rear of the pantry drawer. The airflow is closed, as shown.

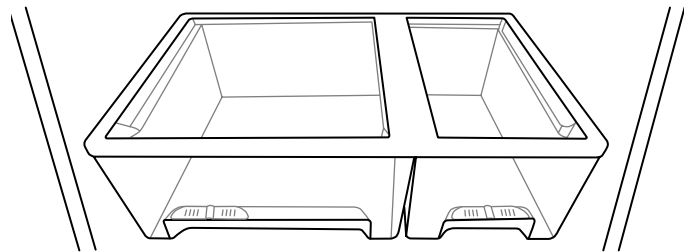


Crisper

Crisper Drawers

To remove and replace the crisper drawer:

1. Slide the crisper drawer straight out to the stop. Lift the front and slide the drawer out the rest of the way.
2. Replace the drawer by sliding the drawer in fully past the stop.



Crisper Cover

To remove and replace the glass crisper cover:

1. Pull the glass straight out.
2. Replace the glass by pushing it straight in.

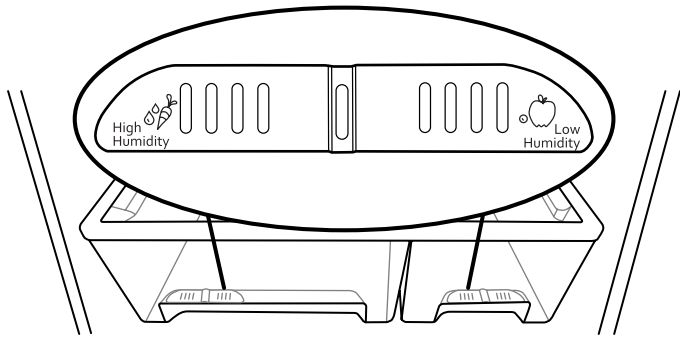
Crisper Humidity Control (on some models)

You can control the amount of humidity in the moisture-sealed crisper. Adjust the control to any setting between LOW and HIGH. LOW (open) lets moist air out of the crisper for best storage of fruits and vegetables with skins.

- Fruit: Wash, let dry and store in refrigerator in plastic bag or crisper. Do not wash or hull berries until they are ready to use. Sort and keep berries in original container in crisper, or store in a loosely closed paper bag on a refrigerator shelf.
- Vegetables with skins: Place in plastic bag or plastic container and store in crisper.

HIGH (closed) keeps moist air in the crisper for best storage of fresh, leafy vegetables.

- Leafy vegetables: Wash in cold water, drain and trim or tear off bruised and discolored areas. Place in plastic bag or plastic container and store in crisper.



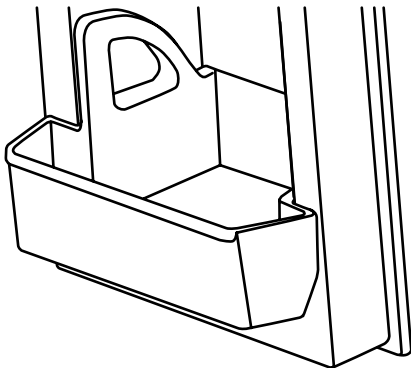
DOOR FEATURES

NOTE: Your model may have some or all of these features.

Condiment Bins

To remove and replace the condiment bins:

1. Tilt the bin by grabbing it and pulling outward.
2. Remove the bin by grabbing it and lifting it upward off the glides.
3. Replace the bin by sliding it back onto the glides and then push it closed.

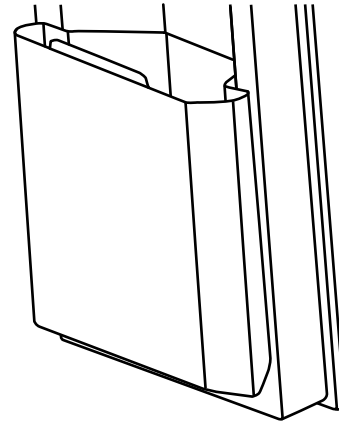


Fresh Bin

(on some models)

To remove and replace the fresh bin:

1. Open the bin by grabbing the top center lip of the bin and tilting the bin outward.
2. Remove the bin by grabbing both sides of the bin and lifting the bin upward off the glides.
3. Replace the bin by sliding it back into its tilted position on the glides and then push it closed.

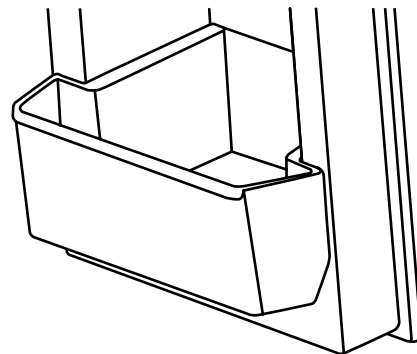


Half-Height Bin

(on some models)

To remove and replace the half-height bin:

1. Tilt the bin by grabbing it and pulling outward.
2. Remove the bin by grabbing it and lifting it upward off the glides.
3. Replace the bin by sliding it back onto the glides and then push it closed.



REFRIGERATOR CARE

Cleaning

⚠ WARNING



Explosion Hazard

Use nonflammable cleaner.

Failure to do so can result in death, explosion, or fire.

Both the refrigerator and freezer sections defrost automatically. However, clean both sections about once a month to avoid buildup of odors. Wipe up spills immediately.

IMPORTANT:

- Because air circulates between both sections, any odors formed in one section will transfer to the other. You must thoroughly clean both sections to eliminate odors. To avoid odor transfer and drying out of food, wrap or cover foods tightly.
- For stainless steel models, stainless steel is corrosion-resistant and not corrosion-proof. To help avoid corrosion of your stainless steel, keep your surfaces clean by using the following cleaning instructions.

To Clean Your Refrigerator:

NOTE: Do not use abrasive or harsh cleaners such as window sprays, scouring cleansers, flammable fluids, muriatic acid, cleaning waxes, concentrated detergents, bleaches or cleansers containing petroleum products on exterior surfaces (doors and cabinet), plastic parts, interior and door liners or gaskets. Do not use paper towels, scouring pads, or other harsh cleaning tools.

1. Unplug refrigerator or disconnect power.
2. Hand wash, rinse, and dry removable parts and interior surfaces thoroughly. Use a clean sponge or soft cloth and a mild detergent in warm water.
3. Clean the exterior surfaces.

Painted metal: Wash painted metal exteriors with a clean, soft cloth or sponge and a mild detergent in warm water. Rinse surfaces with clean, warm water and dry immediately to avoid water spots.

Stainless steel: Wash stainless steel surfaces with a clean, soft cloth or sponge and a mild detergent in warm water. Rinse surfaces with clean, warm water and dry immediately to avoid water spots.

NOTE: When cleaning stainless steel, always wipe in the direction of the grain to avoid cross-grain scratching.

4. There is no need for routine condenser cleaning in normal home operating environments. If the environment is particularly greasy or dusty, or there is significant pet traffic in the home, the condenser should be cleaned every 2 to 3 months to ensure maximum efficiency.

If you need to clean the condenser:

- Remove the base grille.
 - Use a vacuum cleaner with a soft brush to clean the grille, the open areas behind the grille and the front surface area of the condenser.
 - Replace the base grille when finished.
5. Plug in refrigerator or reconnect power.

Changing the Light Bulbs

IMPORTANT:

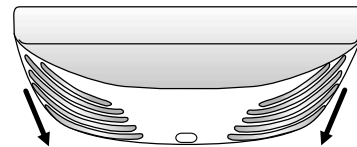
- Not all appliance bulbs will fit your refrigerator. Be sure to replace the bulb with an appliance bulb of the same size, shape, and wattage.
- To ensure optimum refrigerator performance, replace light bulbs as soon as they burn out.

Refrigerator Compartment Light

The lighting located at the top of the refrigerator compartment never needs to be replaced. If the lights do not illuminate when the door is opened call for assistance or service. In the U.S.A., call **1-800-253-1301**. In Canada, call **1-800-807-6777**.

Freezer Compartment Light (on some models)

1. Unplug the refrigerator or disconnect power.
2. Remove the light shield (on some models).
 - Top of the freezer compartment - Slide the light shield toward the back of the compartment to release it from the light assembly.




3. Replace the burned-out bulb with an appliance bulb(s) no greater than 25 watts.
4. Replace the light shield.
5. Plug in refrigerator or reconnect power.

TROUBLESHOOTING

First try the solutions suggested here or visit our website and reference FAQs (Frequently Asked Questions) to possibly avoid the cost of a service call.
In the U.S.A., www.whirlpool.com In Canada, www.whirlpool.ca

Operation

⚠ WARNING



Electrical Shock Hazard

Plug into a grounded 3 prong outlet.

Do not remove ground prong.

Do not use an adapter.

Do not use an extension cord.

Failure to follow these instructions can result in death, fire, or electrical shock.

PROBLEM	POSSIBLE CAUSES	SOLUTIONS
The refrigerator will not operate	Check electrical supply	<p>Plug the power cord into a grounded 3 prong outlet.</p> <p>Do not use an extension cord.</p> <p>Make sure there is power to the outlet. Plug in a lamp to see if the outlet is working.</p> <p>Reset a tripped circuit breaker. Replace any blown fuses. NOTE: If problems continue, contact an electrician.</p>
	Check controls	Make sure the controls are turned on. See "Using the Controls."
	New installation	<p>Allow 24 hours following installation for the refrigerator to cool completely.</p> <p>NOTE: Adjusting the temperature controls to the coldest setting will not cool either compartment quicker.</p>
The motor seems to run too much	High efficiency compressor and fans	This is normal. Larger, more efficient refrigerators run longer.
	The room or outdoor temperature is hot	It is normal for the refrigerator to work longer under these conditions. For optimum performance, place the refrigerator in an indoor, temperature controlled environment. See "Location Requirements."
	A large amount of warm food has been recently added	Warm food will cause the refrigerator to run longer until the air cools to the desired temperature.
	The door(s) are opened too frequently or for too long	Warm air entering the refrigerator causes it to run more. Open the door less often.
	The refrigerator door or freezer drawer is ajar	Make sure the refrigerator is level. See "Door Closing and Door Alignment." Keep food and containers from blocking the door.
	The refrigerator control is set too cold	Adjust the refrigerator control to a less cold setting until the refrigerator temperature is as desired. See "Using the Controls."
The door or drawer gasket is dirty, worn, or cracked	Clean or change the gasket. Leaks in the door seal will cause the refrigerator to run longer in order to maintain desired temperatures.	

PROBLEM	POSSIBLE CAUSES	SOLUTIONS
The lights do not work	A light bulb is loose in the socket or burned out	Tighten or replace the light bulb. See “Changing the Light Bulbs.”
	The dispenser light is set to OFF	On some models, the dispenser light will operate only when a dispenser paddle is pressed. If you want the dispenser light to stay on continuously, see “Water Dispenser.”
	The control is set to Sabbath Mode (on some models)	Turn off Sabbath Mode. See “Using the Controls.”

Noise

PROBLEM	POSSIBLE CAUSES	SOLUTIONS
The refrigerator seems noisy Below are listed some normal sounds with explanations.	The compressor in your new refrigerator regulates temperature more efficiently while using less energy, and operates quietly. Due to the reduction in operating noise you may notice more intermittent noises.	
Sound of the compressor running longer than expected	High efficiency compressor and fans	This is normal. Larger, more efficient refrigerators run longer.
Pulsating/Whirring	Fans/compressor adjusting to optimize performance during normal compressor operation	This is normal
Popping	Contraction/expansion of inside walls, especially during initial cool-down	This is normal
Hissing/Dripping	Flow of refrigerant, or flow of oil in the compressor	This is normal
Vibration	The refrigerator may not be steady	Adjust the leveling screws and lower the leveling foot firmly against the floor. See “Door Closing and Door Alignment.”
Rattling/Banging	Movement of the water lines against the refrigerator cabinet, or of items placed on top of the refrigerator cabinet	Move excess water line away from the refrigerator cabinet or fasten excess tubing to the cabinet. See “Connect the Water Supply,” or remove items from the top of the refrigerator.
Sizzling	Water dripping on the heater during defrost cycle	This is normal
Water running/Gurgling	May be heard when ice melts during the defrost cycle and water runs into the drain pan	This is normal
Buzzing	Heard when the water valve opens to fill the ice maker	This is normal
Creaking/Cracking	May be heard as ice is being ejected from the ice maker mold	This is normal
Ker-plunk	May be heard when the ice falls into the ice storage bin	This is normal

Temperature and Moisture

PROBLEM	POSSIBLE CAUSES	SOLUTIONS
Temperature is too warm	The refrigerator has just been installed	Allow 24 hours following installation for the refrigerator to cool completely.
	Cooling is turned off	Turn cooling on. See "Using the Controls."
	The controls are not set correctly for the surrounding conditions	Adjust the controls a setting colder. Check the temperature in 24 hours. See "Using the Control(s)."
	The door(s) are opened often or not closed completely	Allows warm air to enter refrigerator. Minimize door openings and keep doors fully closed.
	A large load of food was recently added	Allow several hours for refrigerator to return to normal temperature.
Temperature is too cold in the refrigerator/crisper	The refrigerator air vent(s) are blocked	If the air vent located in the top, left, rear corner of the refrigerator compartment is blocked by items placed directly in front of it, the refrigerator will get too cold. Move items away from the air vent.
	The controls are not set correctly for the surrounding conditions	Adjust the controls a setting warmer. Check the temperature in 24 hours. See "Using the Controls."
	The ice storage bin is not in the correct position	See "Ice Maker."
Temperature is too cold in the pantry drawers	The control is not set correctly for the items stored in drawer	Adjust the control setting. See "Refrigerator Features."
There is interior moisture buildup NOTE: Some moisture buildup is normal.	The room is humid	A humid environment contributes to moisture buildup.
	The door(s) are opened often or not closed completely	Allows humid air to enter the refrigerator. Minimize door openings and close doors completely.
	The door is blocked open	Move food packages away from door.
	A bin or shelf is in the way	Push bin or shelf back into the correct position.
	Storing liquid in open containers	This adds humidity to the refrigerator interior. Keep all containers tightly covered.
There is frost/ice buildup in the freezer compartment	The doors are opened often or left open	Minimize door openings and keep doors fully closed.
	Poor door seal	Ensure door seals are making full contact with the refrigerator cabinet to allow for an adequate seal.
	Temperature controls are not set correctly	See "Using the Controls" for recommended temperature settings.

Ice and Water

PROBLEM	POSSIBLE CAUSES	SOLUTIONS
The ice maker is not producing ice or is not producing enough ice	The refrigerator is not connected to a water supply or the water supply shutoff valve is not turned on	Connect refrigerator to water supply and turn water shutoff valve fully open.
	There is a kink in the water source line	A kink in the line can reduce water flow. Straighten the water source line.
	The ice maker is not turned on	Make sure the ice maker is on. See “Ice Maker.”
	The refrigerator has just been installed	Wait 24 hours after ice maker installation for ice production to begin. Wait 3 days for full ice production.
	The refrigerator door is not closed completely	Close the door firmly. If it does not close completely, see “The doors will not close completely.”
	A large amount of ice was recently removed	Allow 24 hours for ice maker to produce more ice.
	An ice cube is jammed in the ice maker ejector arm	Remove ice from the ejector arm with a plastic utensil. NOTE: On some models, press the lever which opens the ice maker door to access the ejector arm.
	A water filter is installed on the refrigerator	Remove the water filter and operate the ice maker. If ice volume improves, then the filter may be clogged or incorrectly installed. Replace filter or reinstall it correctly.
The ice cubes are hollow or small NOTE: This is an indication of low water pressure.	A reverse osmosis water filtration system is connected to your cold water supply	This can decrease water pressure. See “Water Supply Requirements.”
	The water shutoff valve is not fully open	Turn the water shutoff valve fully open.
	There is a kink in the water source line	A kink in the line can reduce water flow. Straighten the water source line.
	A water filter is installed on the refrigerator	Remove filter and operate ice maker. If ice quality improves, then the filter may be clogged or incorrectly installed. Replace filter or reinstall it correctly.
	A reverse osmosis water filtration system is connected to your cold water supply	This can decrease water pressure. See “Water Supply Requirements.”
	Questions remain regarding water pressure	Call a licensed, qualified plumber.
	Off-taste, odor or gray color in the ice or water	Recently installed or replaced plumbing connections. New plumbing connections can cause discolored or off-flavored ice and water.
The ice has been stored too long		Discard ice. Wash ice storage bin. Allow 24 hours for ice maker to make new ice.
The water has been stored too long		Dispense at least 1 qt (1 L) of water per week to maintain a fresh supply.
Odor from stored food has transferred to the ice		Use airtight, moisture proof packaging to store food.
There are minerals (such as sulfur) in the water		A water filter may need to be installed to remove the minerals.
There is a water filter installed on the refrigerator		Gray or dark discoloration in ice may indicate that the water filtration system needs additional flushing. Flush the water system after installing and before using a new water filter. See “Water Dispenser” for water filter flushing instructions.
The water filter needs to be replaced		Replace the disposable water filter at least every 6 months or when indicated. See “Water Filtration System.”

PROBLEM	POSSIBLE CAUSES	SOLUTIONS
The water dispenser will not operate properly	The refrigerator is not connected to a water supply or the water supply shutoff valve is not turned on	Connect the refrigerator to the water supply and turn the water shutoff valve fully open.
	There is a kink in the water source line	A kink in the water line can reduce water flow from the water dispenser and result in hollow or irregular shaped ice. Straighten the water source line.
	The refrigerator has just been installed	Flush and fill the water system. See “Water Dispenser.”
	The water pressure to the house is not at or above 30 psi (207 kPa)	The water pressure to the house determines the flow from the dispenser. See “Water Supply Requirements.”
	A reverse osmosis water filtration system is connected to your cold water supply	A reverse osmosis water filtration system can decrease water pressure. See “Water Supply Requirements.”
	A water filter is installed on the refrigerator	Remove filter and operate dispenser. If water flow increases, the water filter may be clogged or incorrectly installed. Replace filter or reinstall it correctly.
	The refrigerator door is not closed completely	Close the door firmly. If it does not close completely, see “The doors will not close completely.”
Water is leaking or dripping from the dispenser system NOTE: A few drops of water after dispensing is normal.	The refrigerator doors were recently removed	Make sure the water dispenser wire/tube assembly has been properly reconnected at the top of the refrigerator door. See “Remove and Replace Refrigerator Doors and Drawer Front”
	The glass was not held under the dispenser long enough	Hold the glass under the dispenser 2 to 3 seconds after releasing the dispenser lever.
Water continues to drip from the dispenser beyond the first few drops.	The refrigerator has just been installed	Flushing the water system removes the air from the lines which causes the water dispenser to drip. Flush the water system. See “Water Dispenser.”
	The water filter was recently changed	Flushing the water system removes the air from the lines which causes the water dispenser to drip. Flush the water system. See “Water Dispenser.”
Water is leaking from the back of the refrigerator	The water line connections were not fully tightened	See “Connect the Water Supply.”
	Recently removed the doors and did not fully tighten water line connection	See “Remove and Replace Refrigerator Doors and Drawer Front”
Water from the dispenser is warm NOTE: Water from the dispenser is only chilled to 50°F (10°C)	The refrigerator has just been installed	Allow 24 hours after installation for the water supply to cool completely.
	A large amount of water was recently dispensed	Allow 3 hours for the water supply to cool completely.
	Water has not been recently dispensed	The first glass of water may not be cool. Discard the first glass of water dispensed.
	The refrigerator is not connected to a cold water pipe	Make sure the refrigerator is connected to a cold water pipe. See “Water Supply Requirements.”

Doors

⚠ WARNING



Explosion Hazard

Use nonflammable cleaner.

Failure to do so can result in death, explosion, or fire.

PROBLEM	POSSIBLE CAUSES	SOLUTIONS
The door(s) or drawer will not close completely	The door or drawer is blocked open	Move food packages away from door(s). Remove ice or other items which have fallen onto the floor of the freezer compartment.
	A bin or shelf is in the way	Push bin or shelf back into the correct position.
	Recently installed	Remove all packaging materials.
The doors are difficult to open	The door gaskets are dirty or sticky	Clean gaskets and contact surfaces with mild soap and warm water. Rinse and dry with soft cloth.
The doors appear to be uneven	The doors need to be aligned or the refrigerator needs to be leveled	See "Door Closing and Door Alignment."
The doors do not open or close as expected	The refrigerator tilt needs to be adjusted	Adjust the refrigerator tilt. See "Door Closing and Door Alignment."

WATER FILTER CERTIFICATIONS

State of California
 Department of Public Health
 Water Treatment Device
 Certificate Number
 11 - 2069
 Date Issued: March 15, 2011

<u>Trademark/Model Designation</u> P5WB12NL	<u>Replacement Elements</u> P4RFBW12
<u>Manufacturer:</u> Whirlpool Corp.	
The water treatment device(s) listed on this certificate have met the testing requirements pursuant to Section 116830 of the Health and Safety Code for the following health related contaminants:	
<u>Microbiological Contaminants and Turbidity</u> Cysts	<u>Inorganic/Radiological Contaminants</u> Asbestos Lead
<u>Organic Contaminants</u> Atrazine Lindane Toxaphene 2,4-D	
<u>Rated Service Capacity:</u> 120 gallons	<u>Rated Service Flow:</u> 0.5 gpm
<u>Conditions of Certification:</u> Do not use where water is microbiologically unsafe or with water of unknown quality, except that systems certified for cyst reduction may be used on disinfected waters that may contain filterable cysts.	

PERFORMANCE DATA SHEET

Water Filtration System Model P5WB12NL/P4RFWB12 Capacity 120 Gallons (455 Liters)



System tested and certified by NSF International against NSF/ANSI Standard 42 for the reduction of Chlorine Taste and Odor, and Particulate Class I*; and against NSF/ANSI Standard 53 for the reduction of Live Cysts, Asbestos, Lead, Lindane, Toxaphene, Atrazine, and 2,4 - D.

This system has been tested according to NSF/ANSI Standards 42 and 53 for the reduction of the substances listed below. The concentration of the indicated substances in water entering the system was reduced to a concentration less than or equal to the permissible limit for water leaving the system, as specified in NSF/ANSI Standards 42 and 53.

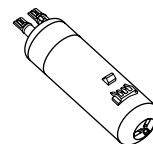
Substance Reduction Aesthetic Effects	NSF Reduction Requirements	Average Influent	Influent Challenge Concentration	Maximum Effluent	Minimum % Reduction	Average % Reduction
Chlorine Taste/Odor Particulate Class I*	50% reduction 85% reduction	2.0 mg/L 7,300,000 #/mL	2.0 mg/L ± 10% At least 10,000 particles/mL	0.20 mg/L 75,000 #/mL**	97 99	97.2 99.4
Contaminant Reduction	NSF Reduction Requirements	Average Influent	Influent Challenge Concentration	Maximum Effluent	Minimum % Reduction	Average % Reduction
Live Cysts [†]	99.95%	160,000/L	50,000/L min.	54/L [†]	99.97	99.99
Asbestos	99%	87 MFL	10 ⁷ to 10 ⁸ fibers/L ^{††}	0.17 MFL	99	99
Lead: @ pH 6.5 Lead: @ pH 8.5	0.010 mg/L 0.010 mg/L	0.160 mg/L 0.140 mg/L	0.15 mg/L ± 10% 0.15 mg/L ± 10%	0.001 mg/L 0.005 mg/L	99.4 98.6	99.4 98.6
Lindane	0.0002 mg/L	0.0019 mg/L	0.002 mg/L ± 10%	0.00002 mg/L	98.9	99
Toxaphene	0.003 mg/L	0.014 mg/L	0.015 mg/L ± 10%	0.001 mg/L	93	93
Atrazine	0.003 mg/L	0.0094 mg/L	0.009 mg/L ± 10%	0.0005 mg/L	94.5	94.7
2,4 - D	0.07 mg/L	0.220 mg/L	0.210 mg/L ± 10%	0.028 mg/L	87.5	96.1

Test Parameters: pH = 7.5 ± 0.5 unless otherwise noted. Flow = 0.5 gpm (1.9 Lpm). Pressure = 60 psig (413.7 kPa). Temp. = 68°F to 71.6°F (20°C to 22°C). Rated service capacity = 120 gallons (455 liters).

- It is essential that operational, maintenance, and filter replacement requirements be carried out for the product to perform as advertised.
- Use replacement filter P4RRWB/P4RFWB12, part #W10295370. 2011 suggested retail price of \$49.99 U.S.A./\$59.99 Canada. Prices are subject to change without notice.
 - Style 1** – When the water filter status display changes from “GOOD” to “ORDER,” order a new filter. When the filter indicator reads “REPLACE,” it is recommended that you replace the filter.
 - Style 2** – When the filter indicator changes from green to yellow, order a new filter. When the indicator changes from yellow to red, it is recommended that you replace the filter.
 - Style 3** – When the filter indicator reads 10%, order a new filter. When the indicator reads 0%, it is recommended that you replace the filter.
 - Style 4** - For models without a water dispenser, replace the disposable water filter every 6 months. The water filter indicator light will remind you when it is time to change the water filter.
- After changing the water filter, flush the water system. For filtered ice only, make and discard three full containers of ice to prepare the water filter for use.
- These contaminants are not necessarily in your water supply. While testing was performed under standard laboratory conditions, actual performance may vary.
- The product is for cold water use only.
- The water system must be installed in compliance with state and local laws and regulations.
- Do not use with water that is microbiologically unsafe or of unknown quality without adequate disinfection before or after the system. Systems certified for cyst reduction may be used on disinfected waters that may contain filterable cysts.
- Refer to the “Warranty” section for the Manufacturer’s name, address and telephone number.
- Refer to the “Warranty” section for the Manufacturer’s limited warranty.

Application Guidelines/Water Supply Parameters

Water Supply	City or Well
Water Pressure	30 - 120 psi (207 - 827 kPa)
Water Temperature	33° - 100°F (0.6° - 37.8°C)
Service Flow Rate	0.5 gpm (1.9 Lpm) @ 60 psi



*Class I particle size: >0.5 to <1 um

**Test requirement is at least 100,000 particles/mL of AC Fine Test Dust.

[†]Based on the use of *Cryptosporidium parvum* oocysts

^{††}Fibers greater than 10 um in length

WHIRLPOOL CORPORATION MAJOR APPLIANCE WARRANTY

LIMITED WARRANTY

For one year from the date of purchase, when this major appliance is operated and maintained according to instructions attached to or furnished with the product, Whirlpool Corporation or Whirlpool Canada LP (hereafter "Whirlpool") will pay for Factory Specified Parts and repair labor to correct defects in materials or workmanship that existed when this major appliance was purchased. Service must be provided by a Whirlpool designated service company. YOUR SOLE AND EXCLUSIVE REMEDY UNDER THIS LIMITED WARRANTY SHALL BE PRODUCT REPAIR AS PROVIDED HEREIN. This limited warranty is valid only in the United States or Canada and applies only when the major appliance is used in the country in which it was purchased. Proof of original purchase date is required to obtain service under this limited warranty.

ITEMS EXCLUDED FROM WARRANTY

This limited warranty does not cover:

1. Replacement parts or repair labor if this major appliance is used for other than normal, single-family household use or when it is used in a manner that is inconsistent to published user or operator instructions and/or installation instructions.
2. Service calls to correct the installation of your major appliance, to instruct you on how to use your major appliance, to replace or repair house fuses, or to correct house wiring or plumbing.
3. Service calls to repair or replace appliance light bulbs, air filters or water filters. Consumable parts are excluded from warranty coverage.
4. Damage resulting from accident, alteration, misuse, abuse, fire, flood, acts of God, improper installation, installation not in accordance with electrical or plumbing codes, or use of products not approved by Whirlpool.
5. Cosmetic damage, including scratches, dents, chips or other damage to the finish of your major appliance, unless such damage results from defects in materials or workmanship and is reported to Whirlpool within 30 days from the date of purchase.
6. Any food or medicine loss due to refrigerator or freezer product failures.
7. Pickup and delivery. This major appliance is intended to be repaired in your home.
8. Repairs to parts or systems resulting from unauthorized modifications made to the appliance.
9. Expenses for travel and transportation for product service if your major appliance is located in a remote area where service by an authorized Whirlpool servicer is not available.
10. The removal and reinstallation of your major appliance if it is installed in an inaccessible location or is not installed in accordance with Whirlpool's published installation instructions.
11. Replacement parts or repair labor on major appliances with original model/serial numbers that have been removed, altered or cannot be easily determined.
12. Discoloration, rust, or oxidation of stainless steel surfaces.

DISCLAIMER OF IMPLIED WARRANTIES

IMPLIED WARRANTIES, INCLUDING ANY IMPLIED WARRANTY OF MERCHANTABILITY OR IMPLIED WARRANTY OF FITNESS FOR A PARTICULAR PURPOSE, ARE LIMITED TO ONE YEAR OR THE SHORTEST PERIOD ALLOWED BY LAW. Some states and provinces do not allow limitations on the duration of implied warranties of merchantability or fitness, so this limitation may not apply to you. This warranty gives you specific legal rights, and you also may have other rights that vary from state to state or province to province.

LIMITATION OF REMEDIES; EXCLUSION OF INCIDENTAL AND CONSEQUENTIAL DAMAGES

YOUR SOLE AND EXCLUSIVE REMEDY UNDER THIS LIMITED WARRANTY SHALL BE PRODUCT REPAIR AS PROVIDED HEREIN. WHIRLPOOL SHALL NOT BE LIABLE FOR INCIDENTAL OR CONSEQUENTIAL DAMAGES. Some states and provinces do not allow the exclusion or limitation of incidental or consequential damages, so these limitations and exclusions may not apply to you. This warranty gives you specific legal rights, and you also may have other rights that vary from state to state or province to province.

If outside the 50 United States and Canada, contact your authorized Whirlpool dealer to determine if another warranty applies. 6/08

For additional product information, in the U.S.A., visit www.whirlpool.com
In Canada, visit www.whirlpool.ca

If you do not have access to the Internet and you need assistance using your product or you would like to schedule service, you may contact Whirlpool at the number below.

Have your complete model number ready. You can find your model number and serial number on the label, located on the inside wall of the refrigerator compartment.

For assistance or service in the U.S.A., call 1-800-253-1301. In Canada, call 1-800-807-6777.

If you need further assistance, you can write to Whirlpool with any questions or concerns at the address below:

In the U.S.A.:

Whirlpool Brand Home Appliances
Customer eXperience Center
553 Benson Road
Benton Harbor, MI 49022-2692

In Canada:

Whirlpool Brand Home Appliances
Customer eXperience Centre
200 – 6750 Century Ave.
Mississauga, Ontario L5N 0B7

Please include a daytime phone number in your correspondence.

Please keep these User Instructions and the model number information for future reference.



INSTRUCCIONES PARA EL USUARIO DEL REFRIGERADOR

LE AGRADECEMOS la compra de este producto de alta calidad. Si usted experimenta un problema que no se haya cubierto en SOLUCIÓN DE PROBLEMAS, visite nuestro sitio de internet en www.whirlpool.com para obtener información adicional. Si considera que aún necesita ayuda, llámenos al 1-800-253-1301. En Canadá, visite nuestro sitio de internet en www.whirlpool.ca o llámenos al 1-800-807-6777.

Necesitará tener a mano su número de modelo y de serie ubicados en la pared interior del compartimiento del refrigerador.

SEGURIDAD DEL REFRIGERADOR

Su seguridad y la seguridad de los demás es muy importante.

Hemos incluido muchos mensajes importantes de seguridad en este manual y en su electrodoméstico. Lea y obedezca siempre todos los mensajes de seguridad.



Este es el símbolo de advertencia de seguridad.

Este símbolo le llama la atención sobre peligros potenciales que pueden ocasionar la muerte o una lesión a usted y a los demás.

Todos los mensajes de seguridad irán a continuación del símbolo de advertencia de seguridad y de la palabra "PELIGRO" o "ADVERTENCIA". Estas palabras significan:

 **PELIGRO**

Si no sigue las instrucciones de inmediato, usted puede morir o sufrir una lesión grave.

 **ADVERTENCIA**

Si no sigue las instrucciones, usted puede morir o sufrir una lesión grave.

Todos los mensajes de seguridad le dirán el peligro potencial, le dirán cómo reducir las posibilidades de sufrir una lesión y lo que puede suceder si no se siguen las instrucciones.

INSTRUCCIONES IMPORTANTES DE SEGURIDAD

ADVERTENCIA: Para reducir el riesgo de incendio, choque eléctrico, o lesiones personales al usar su refrigerador siga estas precauciones básicas:

- Conecte a un contacto de pared de conexión a tierra de 3 terminales.
- No use un adaptador.
- No quite la terminal de conexión a tierra.
- No use un cable eléctrico de extensión.
- Desconecte el suministro de energía antes de darle servicio.
- Vuelva a colocar todos los componentes y paneles antes de hacerlo funcionar.
- Remueva las puertas de su refrigerador viejo.
- Use un limpiador no inflamable.
- Mantenga los materiales y vapores inflamables, tales como gasolina, alejados del refrigerador.
- Use dos o más personas para mover e instalar el refrigerador.
- Desconecte el suministro de energía antes de instalar la fábrica de hielo (en aquellos modelos que incluyen el juego de instalación de la fábrica de hielo).
- Use un vaso resistente para recibir hielo del despachador (en algunos modelos).
- No golpee las puertas de vidrio del refrigerador (en algunos modelos).

CONSERVAR ESTAS INSTRUCCIONES

Cómo deshacerse adecuadamente de su refrigerador viejo

! ADVERTENCIA

Peligro de Asfixia

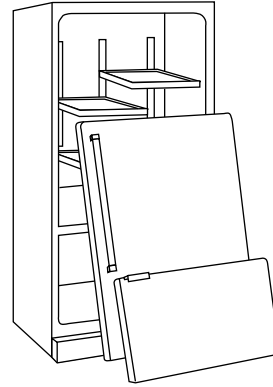
Remueva las puertas de su refrigerador viejo.

No seguir esta instrucción puede ocasionar la muerte o daño al cerebro.

IMPORTANTE: El atrapamiento y asfixia de niños no es un problema del pasado. Los refrigeradores tirados y abandonados son un peligro, aun si van a quedar ahí “por unos pocos días”. Si Ud. está por deshacerse de su refrigerador viejo, por favor siga las instrucciones que se dan a continuación para prevenir accidentes.

Antes de tirar su viejo refrigerador o congelador:

- Saque las puertas.
- Deje los estantes en su lugar, así los niños no pueden meterse adentro con facilidad.



Información importante para saber acerca del desecho de refrigerantes:

Deshágase del refrigerador siguiendo los reglamentos federales y locales. Los refrigerantes deberán ser evacuados por un técnico certificado en refrigeración por EPA (Agencia de protección del medioambiente) según los procedimientos establecidos.

INSTRUCCIONES DE INSTALACIÓN

Desempaque el refrigerador

! ADVERTENCIA

Peligro de Peso Excesivo

Use dos o más personas para mover e instalar el refrigerador.

No seguir esta instrucción puede ocasionar una lesión en la espalda u otro tipo de lesiones.

Cómo mover su refrigerador:

Su refrigerador es pesado. Cuando mueva el refrigerador para limpiarlo o para darle servicio, cerciórese de cubrir el piso con cartón o madera para evitar daños en el mismo. Al mover el refrigerador, siempre tire directamente hacia afuera. No menee el refrigerador de lado a lado ni lo haga “caminar” cuando lo trate de mover ya que podría dañar el piso.

Cómo quitar los materiales de empaque

- Quite los restos de cinta y goma de las superficies de su refrigerador antes de encenderlo. Frote un poco de detergente líquido para vajillas sobre el adhesivo con los dedos. Limpie con agua tibia y seque.
- No use instrumentos filosos, alcohol para fricciones, líquidos inflamables o productos de limpieza abrasivos para eliminar los restos de cinta o goma. Estos productos pueden dañar la superficie de su refrigerador. Para más información, vea “Seguridad del refrigerador”.
- Deshágase de todos los materiales de embalaje o recíclelos.

Limpieza antes del uso

Una vez que usted haya quitado todos los materiales de empaque, limpie el interior de su refrigerador antes de usarlo. Vea las instrucciones de limpieza en “Cuidado de su refrigerador”.

Información importante para saber acerca de los estantes y tapas de vidrio:

No limpie los estantes y tapas de vidrio con agua caliente mientras están fríos. Los estantes y tapas pueden romperse si se exponen a cambios bruscos de temperatura o impacto, como sería un golpe brusco. El vidrio templado se ha diseñado para hacerse añicos. Esto es normal. Los estantes y tapas de vidrio son muy pesados. Use ambas manos al sacarlos para evitar que se caigan.

Requisitos de ubicación

⚠ ADVERTENCIA



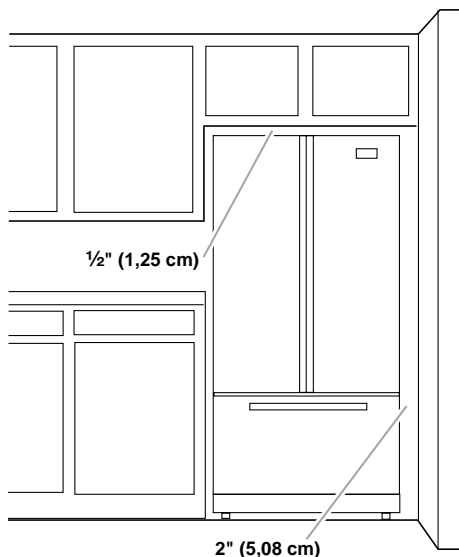
Peligro de Explosión

Mantenga los materiales y vapores inflamables, tales como gasolina, alejados del refrigerador.

No seguir esta instrucción puede ocasionar la muerte, explosión, o incendio.

Para asegurar la adecuada ventilación de su refrigerador, deje un espacio de ½" (1,25 cm) a cada lado y por encima. Deje un espacio de 1" (2,54 cm) detrás del refrigerador. Si su refrigerador tiene fábrica de hielo, asegúrese que hay espacio adicional atrás para las conexiones de la línea de agua. Cuando instale el refrigerador próximo a una pared fija, deje un espacio mínimo de 2" (5,08 cm) entre el refrigerador y la pared, para permitir que la puerta se abra bien.

NOTA: Este refrigerador ha sido diseñado para usarse en un lugar en donde los rangos de temperatura varíen entre un mínimo de 55 °F (13 °C) y un máximo de 110 °F (43 °C). Para un óptimo rendimiento, el rango preferido de temperatura de la habitación (que reduce el uso de electricidad y provee un enfriamiento superior) es entre 60 °F (15 °C) y 90 °F (32 °C). No se recomienda instalar el refrigerador cerca de una fuente de calor, como puede ser un horno o un radiador.



Cómo sacar y volver a colocar las puertas y el frente del cajón del refrigerador

Según el ancho de la abertura de la puerta, tal vez sea necesario sacar las puertas del refrigerador para hacer entrar el mismo en su hogar.

Cómo quitar las puertas y las bisagras

IMPORTANTE:

- Si el refrigerador fue instalado previamente y usted lo va a sacar fuera de la casa, antes de comenzar fije el control del refrigerador en OFF (Apagado) y desenchufe el refrigerador o desconecte el suministro de energía. Quite todos los alimentos y cualquier recipiente ajustable o de uso general de las puertas.
- Mantenga las puertas del refrigerador cerradas hasta que esté listo para levantarlas y quitarlas de la carcasa. Mientras quita las bisagras, siempre disponga de un soporte adicional para la puerta del refrigerador. No se confíe en que los imanes de la junta de las puertas van a sostener la puerta en su lugar mientras trabaja.
- Todas las ilustraciones a las que se hace referencia en las siguientes instrucciones se incluyen más adelante en esta sección después de "Pasos finales".

HERRAMIENTAS NECESARIAS: Llaves de cubo de cabeza hexagonal de 5/16", 3/8" y 1/4", destornillador Torx® T25, destornillador Phillips N° 2 y destornillador de hoja plana.

Cómo quitar las puertas y las bisagras

1. Desenchufe el refrigerador o desconecte el suministro de energía.
2. Quite la rejilla de la base. Tome la rejilla con firmeza y jálela hacia usted.
3. Comenzando por la puerta derecha, saque las piezas de la bisagra superior, como se muestra en la ilustración Bisagra superior. Levante y saque la puerta del refrigerador del pasador inferior de la bisagra.
4. Saque la cubierta del pasador de la bisagra inferior y guárdela para usarla más tarde. Vea la ilustración Bisagra inferior.
5. Saque la cubierta de la bisagra superior de la puerta izquierda del refrigerador. Quite los componentes de la bisagra superior como se muestra en la ilustración Bisagra superior.

Solamente para los modelos con despachador externo:

- Desconecte el enchufe de cableado que está ubicado sobre la bisagra superior de la puerta izquierda introduciendo un destornillador de hoja plana o la uña entre las dos secciones. Vea la ilustración Enchufe de cableado.
 - Desconecte la línea de agua, situada debajo de la bisagra superior de la puerta izquierda, jalando el collar de bloqueo mientras jala la línea de agua fuera del conector de la misma. Vea la ilustración Conexión de la tubería del despachador de agua.
6. Levante la puerta izquierda del pasador inferior de la bisagra.
- NOTA:** En algunos modelos, saque la cubierta del pasador de la bisagra inferior y guárdela para usarla más tarde. Vea la ilustración Bisagra inferior.

Cómo volver a poner las puertas y las bisagras en su lugar

1. Vuelva a colocar los componentes de la bisagra inferior, como se muestra en la ilustración Bisagra inferior. Apriete los tornillos. Vuelva a poner en su lugar la puerta del refrigerador.

NOTA: Mientras quita las bisagras siempre disponga de un soporte adicional para la puerta del refrigerador. No se confíe en que los imanes de la junta de las puertas van a sostener la puerta en su lugar mientras trabaja.

2. Ensamble los componentes de las bisagras superiores, como se muestra en la ilustración Bisagra superior. No apriete completamente los tornillos.

Solamente para los modelos con despachador externo:

- Vuelva a conectar el enchufe de cableado sobre el lado izquierdo de la puerta del refrigerador.
- Vuelva a conectar la línea de agua jalando el anillo del collar de bloqueo mientras empuja con firmeza la línea de agua dentro del conector. Revise si hay fugas.

3. Alinee la puerta de modo que la base de la puerta del refrigerador esté alineada en forma pareja con la parte superior del cajón del congelador. Apriete todos los tornillos.

4. Vuelva a colocar la cubiertas de las bisagras superiores.

Cómo quitar y volver a colocar el frente del cajón del congelador

IMPORTANTE: Tal vez se necesiten dos personas para quitar y volver a colocar el cajón del congelador. Las ilustraciones aparecen más adelante en esta sección.

Para quitar el frente del cajón

1. Abra el cajón del congelador en toda su extensión.
2. Afloje los cuatro tornillos que sujetan las guías del cajón al frente del cajón. Vea la ilustración Remoción del frente del cajón.

NOTA: Afloje los tornillos girándolos tres o cuatro veces. Mantenga los tornillos en el frente del cajón.

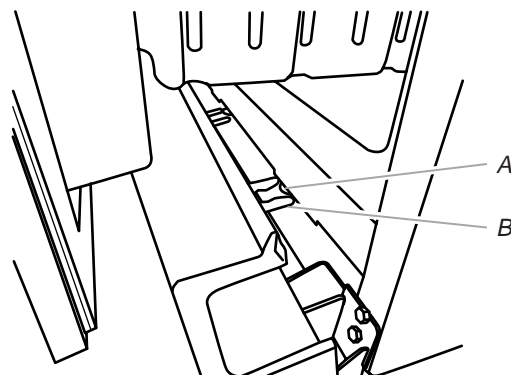
3. Levante el frente del cajón y sáquelo de los tornillos. Vea la ilustración Remoción del frente del cajón.
4. El ensamblaje de nivelador/rodillo sobresale de cada lado de la base de la carcasa. Quite los tres tornillos que sujetan cada ensamblaje y quite los ensamblajes. Vea la ilustración Ensamblaje de nivelador/rodillo del refrigerador.

Para volver a colocar el frente del cajón

1. Alinee el ensamblaje de nivelador/rodillo con los orificios que están a cada lado de la carcasa del refrigerador. Vuelva a instalar los ensamblajes a la base de la carcasa con los tornillos que se quitaron. Apriete los tornillos por completo.
2. Deslice las guías fuera del compartimiento del congelador. Inserte los tornillos en la parte superior del frente del cajón, dentro de las ranuras que están en los soportes del cajón. Vea la ilustración Cómo volver a colocar el frente del cajón.
3. Jale los soportes del cajón hacia usted para colocar los dos tornillos en la base del frente del cajón, dentro de los soportes. Apriete por completo los cuatro tornillos. Vea la ilustración Cómo volver a colocar el frente del cajón.

4. Vuelva a colocar la rejilla de la base.

- Jale el cajón del congelador para abrirlo.
- Alinee los tres sujetadores que están en la parte posterior de la rejilla de la base con las tres lengüetas que están en la base del refrigerador.
- Empuje la rejilla de la base hacia el refrigerador hasta que quede firme en el lugar.



A. Lengüeta
B. Sujetador

Pasos finales

⚠ ADVERTENCIA



Peligro de Choque Eléctrico

Conecte a un contacto de pared de conexión a tierra de 3 terminales.

No quite la terminal de conexión a tierra.

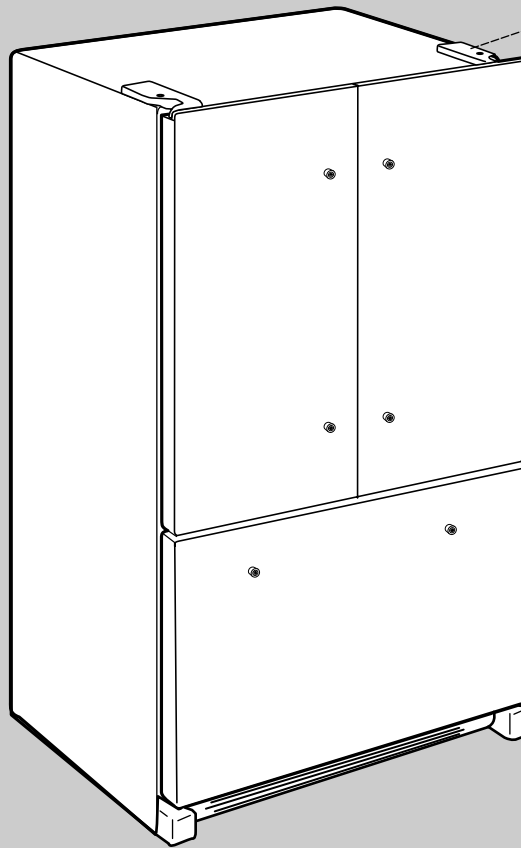
No use un adaptador.

No use un cable eléctrico de extensión.

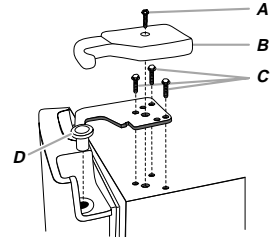
No seguir estas instrucciones puede ocasionar la muerte, incendio o choque eléctrico.

1. Conecte a un contacto de pared de conexión a tierra de 3 terminales.
2. Vuelva a colocar todas las piezas removibles a las puertas, y el cajón y los alimentos, al refrigerador y al congelador.

Cómo quitar y volver a colocar las puertas

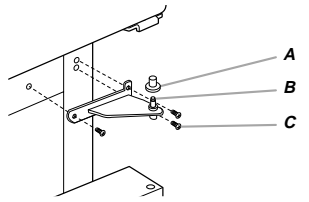


Bisagras superiores



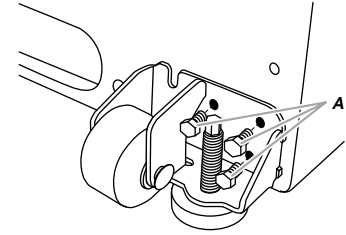
- A. Tornillo de la cubierta de la bisagra
- B. Cubierta de la bisagra superior
- C. Tornillos de cabeza hexagonal de 5/16" de la bisagra
- D. Bisagra superior

Bisagras inferiores



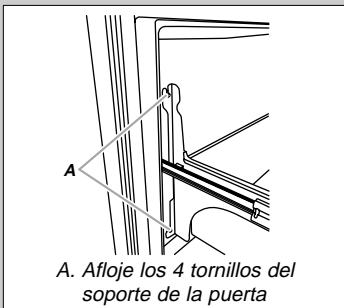
- A. Cubierta del pasador de la bisagra
- B. Bisagra inferior
- C. Tornillos de la bisagra

Ensamblaje de nivelador/rodillo

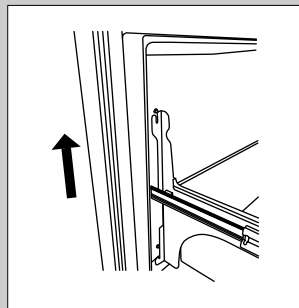


- A. Tornillos del ensamblaje

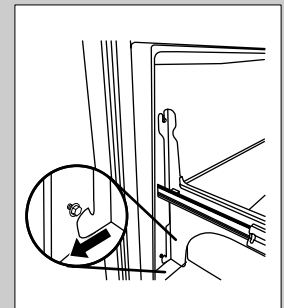
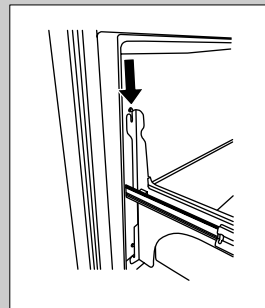
Cómo quitar el frente del cajón



- A. Afloje los 4 tornillos del soporte de la puerta

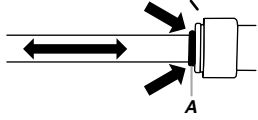
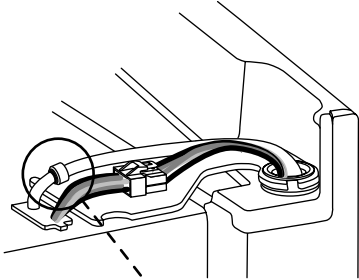


Cómo volver a colocar el frente del cajón



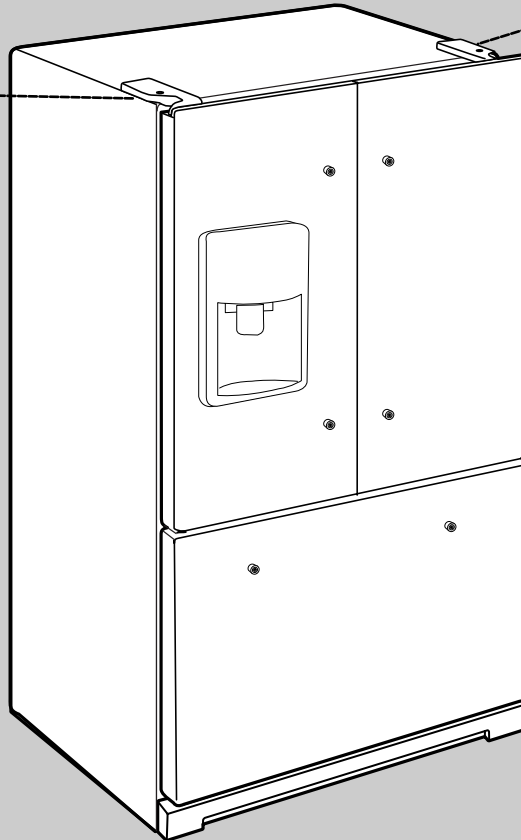
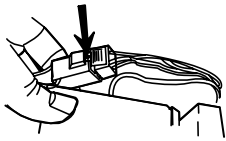
Cómo quitar y volver a colocar la puerta

Conexión de la tubería del despachador de agua

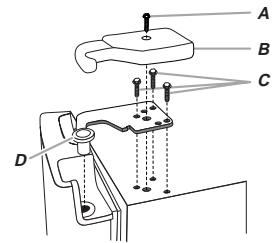


A. Anillo azul exterior

Enchufe de cableado

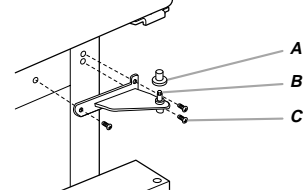


Bisagras superiores



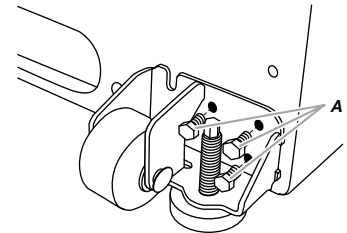
- A. Tornillo de la cubierta de la bisagra
- B. Cubierta de la bisagra superior
- C. Tornillos de cabeza hexagonal de $\frac{5}{16}$ " de la bisagra
- D. Bisagra superior

Bisagras inferiores



- A. Cubierta del pasador de la bisagra
- B. Bisagra inferior
- C. Tornillos de la bisagra

El ensamblaje de nivelador/rodillo



A. Tornillos del ensamblaje

Requisitos eléctricos

⚠ ADVERTENCIA



Peligro de Choque Eléctrico

Conecte a un contacto de pared de conexión a tierra de 3 terminales.

No quite la terminal de conexión a tierra.

No use un adaptador.

No use un cable eléctrico de extensión.

No seguir estas instrucciones puede ocasionar la muerte, incendio o choque eléctrico.

Antes de mover el refrigerador a su posición definitiva, es importante asegurarse que Ud. tiene la conexión eléctrica adecuada.

Método de conexión a tierra recomendado

Se requiere una fuente de energía eléctrica de 115 Voltios, 60 Hz., CA solamente y con fusibles de 15 ó 20 amperios, debidamente conectada a tierra. Se recomienda que se use un circuito separado sólo para su refrigerador. Use un tomacorriente que no se puede apagar con un interruptor. No use un cable eléctrico de extensión.

NOTA: Antes de realizar cualquier tipo de instalación, limpieza o de quitar un foco de luz, APAGUE el enfriamiento (Cooling OFF), y luego desconecte el refrigerador de la fuente de energía. Cuando Ud. haya terminado, reconecte el refrigerador a la fuente de energía eléctrica y ENCIENDA el enfriamiento (Cooling ON). Vea "Uso de los controles".

Requisitos del suministro de agua

Se necesita un suministro de agua fría con presión de agua entre 30 y 120 lbs/pulg² (207 y 827 kPa) para hacer funcionar el despachador de agua y la fábrica de hielo. Si tiene preguntas acerca de la presión del agua, llame a un plomero competente autorizado.

Suministro de agua por ósmosis inversa

IMPORTANTE: La presión del suministro de agua que sale de un sistema de ósmosis inversa y va a la válvula de entrada de agua del refrigerador deberá ser entre 30 y 120 lbs/pulg² (207 y 827 kPa).

Si se conecta un sistema de filtración de agua de ósmosis inversa al suministro de agua fría, la presión de agua al sistema de ósmosis inversa deberá ser de un mínimo de 40 a 60 lbs/pulg² (276 a 414 kPa).

Si la presión de agua hacia el sistema de ósmosis inversa es menor de 40 a 60 lbs/pulg² (276 a 414 kPa):

- Fíjese si el filtro de sedimentos en el sistema de ósmosis inversa está bloqueado. Reemplácelo si fuera necesario.
- Deje que se vuelva a llenar el tanque de almacenaje del sistema de ósmosis inversa después del uso intenso. La capacidad del tanque podría ser demasiado baja para mantener los requisitos del refrigerador.
- Si su refrigerador tiene un filtro de agua, se podrá reducir la presión aún más si se usa en conjunto con un sistema de ósmosis inversa. Saque el filtro de agua. Vea "Sistema de filtración de agua".

Si tiene preguntas acerca de la presión del agua, llame a un plomero competente autorizado.

Conexión del suministro de agua

Lea todas las instrucciones antes de comenzar.

IMPORTANTE:

- Todas las instalaciones deben hacerse de acuerdo a los requisitos locales de plomería.
- Use tubería de cobre o una línea de suministro de Whirlpool, Pieza número 8212547RP, y revise si hay fugas.
- Instale la tubería de cobre sólo en áreas donde la temperatura va a permanecer por encima del punto de congelación.

HERRAMIENTAS NECESARIAS:

Reúna las herramientas y piezas necesarias antes de comenzar la instalación. Lea y siga las instrucciones provistas con cualquiera de las herramientas enlistadas aquí.

- Destornillador de hoja plana
- Llave de tuercas de ¼"
- Llaves de boca de 7/16" y ½" o dos llaves ajustables
- Broca de ¼"
- Taladro inalámbrico

NOTA: El distribuidor de su refrigerador tiene un juego de válvula de cierre tipo montura de ¼" (6,35 mm), una unión y tubería de cobre. Antes de comprar, asegúrese de que la válvula tipo montura cumple con los códigos de plomería locales. No use una válvula perforadora o una válvula de montura de 3/16" (4,76 mm) que reduce el flujo de agua y se obstruye con más facilidad.

Conexión a la línea de agua

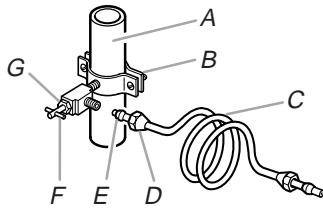
Estilo 1

1. Desenchufe el refrigerador o desconecte el suministro de energía.
2. CIERRE el suministro principal de agua. ABRA la llave de agua más cercana el tiempo suficiente para que la tubería de agua se vacíe.
3. Busque una tubería vertical de agua fría de ½" a 1¼" (1,25 cm a 3,18 cm) cercana al refrigerador.

IMPORTANTE:

- Asegúrese de que sea una tubería de agua fría.
 - Una tubería horizontal funcionará, pero taladre por el lado de arriba de la tubería, no por debajo. Esto ayudará a mantener el agua alejada del taladro y evitará que se acumule sedimento normal en la válvula.
4. Determine la longitud de la tubería de cobre que necesite. Mida desde la conexión de la parte baja trasera izquierda del refrigerador hasta la tubería de agua. Agregue 7 pies (2,1 m) para permitir la limpieza. Use una tubería de cobre de ¼" (6,35 mm) de diámetro externo. Asegúrese de que ambos extremos de la tubería de cobre estén cortados rectos.

- Usando un taladro inalámbrico, haga un orificio de 1/4" en la tubería de agua fría que usted eligió.



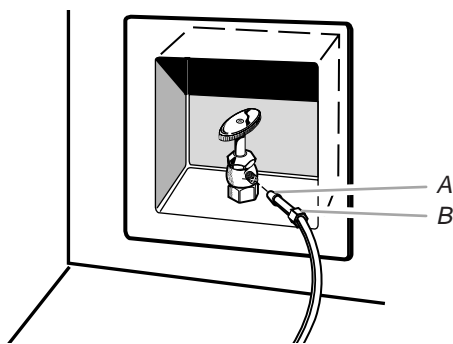
- A. Tubería de agua fría
 B. Abrazadera para tubería
 C. Tubería de cobre
 D. Tuerca de compresión
 E. Manga de compresión
 F. Válvula de cierre
 G. Tuerca de presión

- Afiance la válvula de cierre a la tubería de agua fría con la abrazadera para tubería. Asegúrese de que el extremo de salida esté firmemente insertado en el orificio taladrado de 1/4" (6,35 mm) en la tubería de agua y que la arandela esté por debajo de la abrazadera para tubería. Apriete la tuerca de presión. Apriete los tornillos de la abrazadera para tubería lentamente y en forma pareja de manera que la arandela provea un cierre hermético. No apriete demasiado porque se puede aplastar la tubería de cobre.
- Deslice la manga de compresión y la tuerca de compresión sobre la tubería de cobre como se muestra. Inserte el extremo de la tubería en el extremo de salida en ángulo recto hasta donde sea posible. Atornille la tuerca de compresión al extremo de salida con una llave de tuercas ajustable. No apriete demasiado.
- Coloque el extremo libre de la tubería en un recipiente o fregadero y ABRA el suministro principal de agua. Enjuague la tubería hasta que el agua salga limpia. CIERRE la válvula de cierre del tubo de agua. Enrolle la tubería de cobre.

Estilo 2

- Desenchufe el refrigerador o desconecte el suministro de energía.
- Retire y descarte el tapón de plástico negro del tubo gris de agua en la parte trasera del refrigerador.
- Enrosque la tuerca provista sobre la válvula de agua como se muestra.

NOTA: Apriete la tuerca a mano. Luego apriétela dos vueltas con una llave de tuercas. No apriete demasiado.



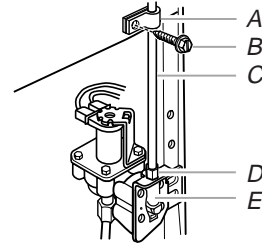
- A. Bulbo
 B. Tuerca (provista)

- ABRA la válvula de cierre.
- Revise si hay fugas. Apriete aquellas tuercas o conexiones que tengan fugas (incluidas las conexiones en la válvula).

Conexión al refrigerador

Estilo 1

- Desenchufe el refrigerador o desconecte el suministro de energía.
- Fije el tubo de cobre a la entrada de la válvula usando una tuerca de compresión y manga de compresión, como se muestra. Ajuste la tuerca de compresión. No apriete demasiado.
- Use la abrazadera para tubería en la parte trasera del refrigerador para asegurar la tubería al refrigerador, como se muestra. Esto ayudará a evitar daños en la tubería cuando el refrigerador se empuje nuevamente contra la pared.
- ABRA la válvula de cierre.
- Revise si hay fugas. Ajuste las conexiones (incluso las de la válvula) o tuercas que tengan fugas.



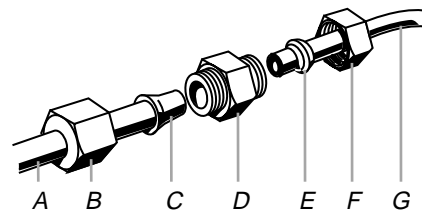
- A. Abrazadera para tubería
 B. Tornillo de la abrazadera para tubería
 C. Tubería de cobre
 D. Tuerca de compresión
 E. Entrada de la válvula

- En los modelos con fábrica de hielo, la fábrica de hielo está equipada con un filtro de agua incorporado. Si las condiciones del agua local requieren un segundo filtro de agua, se debe instalar en la línea de agua de 1/4" (6,35 mm) en cualquiera de las conexiones de la tubería. Obtenga un filtro de agua del distribuidor de electrodomésticos más cercano a su domicilio.

Estilo 2

- Desenchufe el refrigerador o desconecte el suministro de energía.
- Retire y descarte el tapón de plástico negro del tubo gris de agua en la parte trasera del refrigerador.
- Si el tubo de agua gris suministrado con el refrigerador no es lo suficientemente largo, se necesitará un acoplamiento de 1/4" x 1/4" (6,35 mm x 6,35 mm), para poder conectar la tubería de agua a la línea de agua de la casa. Enrosque la tuerca provista sobre el acoplamiento en el extremo de la tubería de cobre.

NOTA: Apriete la tuerca a mano. Luego apriétela dos vueltas con una llave de tuercas. No apriete demasiado.



- A. Tubería de agua del refrigerador
 B. Tuerca (provista)
 C. Bulbo
 D. Acoplamiento (provisto)
 E. Férula (adquirida)
 F. Tuerca (adquirida)
 G. Línea de agua de la casa

- ABRA la válvula de cierre.
- Revise si hay fugas. Apriete aquellas tuercas o conexiones que tengan fugas (incluidas las conexiones en la válvula).

Complete la instalación

⚠ ADVERTENCIA



Peligro de Choque Eléctrico

Conecte a un contacto de pared de conexión a tierra de 3 terminales.

No quite la terminal de conexión a tierra.

No use un adaptador.

No use un cable eléctrico de extensión.

No seguir estas instrucciones puede ocasionar la muerte, incendio o choque eléctrico.

1. Conecte a un contacto de pared de conexión a tierra de 3 terminales.

NOTAS:

- Deje transcurrir 24 horas para la producción del primer lote de hielo. Deshágase de los tres primeros lotes de hielo producidos. Deje transcurrir 3 días para que se vuelva a llenar de hielo el recipiente.
- Para los modelos con despachador de agua, enjuague el sistema de agua. Vea "Despachador de agua".

Instalación y remoción de las manijas

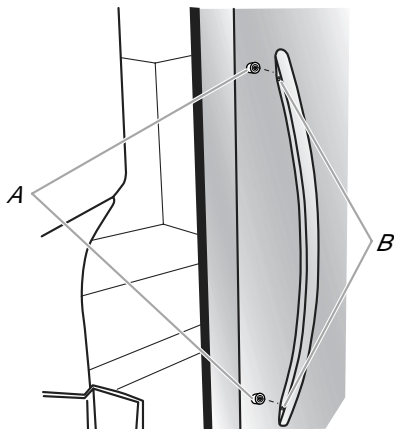
Piezas incluidas: Manijas de las puertas del refrigerador (2), manija del cajón del congelador (1)

Herramientas necesarias: Llave de tuercas hexagonal en L de 1/8"

Cómo instalar las manijas de las puertas

NOTA: Los tornillos opresores de montaje vienen preinstalados dentro de la manija.

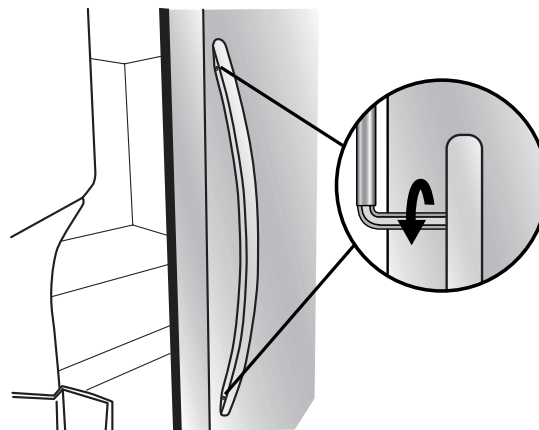
1. Saque las manijas del empaque que está dentro del refrigerador.
2. Abra una puerta del refrigerador. En la otra puerta, coloque la manija sobre los tornillos de tope con los tornillos opresores mirando hacia la puerta adyacente.



A. Tornillos de tope

B. Tornillos opresores dentro de la manija

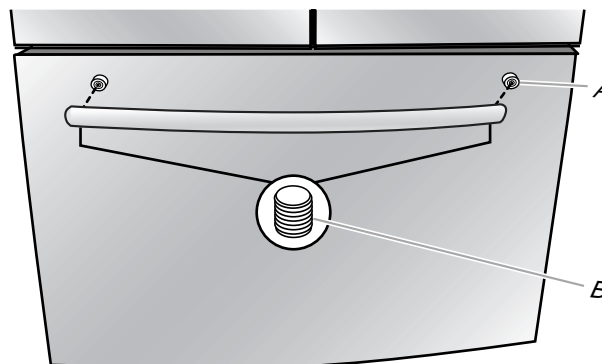
3. Empuje con firmeza la manija hacia la puerta hasta que su base quede al mismo nivel que la puerta.
4. Mientras sostiene la manija, coloque el extremo pequeño de la llave hexagonal en L en el orificio superior y gire la llave hexagonal en L un poco, hasta afianzarla en el tornillo opresor.



5. Apriete el tornillo opresor girando hacia la derecha hasta que se sienta ajustado.
6. Repita los pasos 4 y 5 para afianzar el tornillo opresor inferior.
IMPORTANTE: Cuando los tornillos se sientan ajustados, apriételos un cuarto de giro adicional. La manija no está bien instalada si no la aprieta más de esta manera.
7. Repita los pasos 2 a 6 para instalar la otra manija en la puerta adyacente del refrigerador.

Cómo instalar la manija del cajón

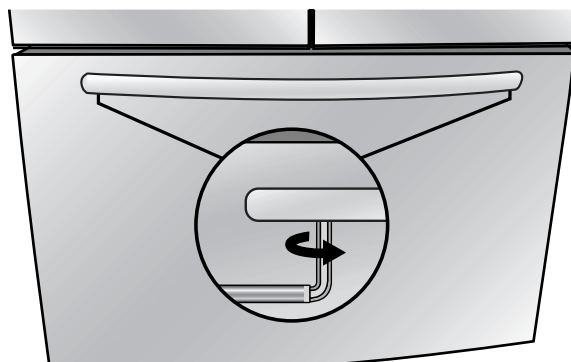
1. Con el cajón del congelador cerrado, coloque la manija sobre los tornillos de tope con los tornillos opresores mirando hacia abajo.



A. Tornillo de tope

B. Tornillos opresores dentro de la manija

2. Empuje con firmeza la manija hacia el cajón hasta que su base quede al mismo nivel que el cajón.
3. Coloque el extremo pequeño de la llave hexagonal en L en el orificio del lado izquierdo y gire la llave hexagonal en L un poco, hasta afianzarla en el tornillo opresor.



4. Apriete el tornillo opresor girando de izquierda a derecha un cuarto de vuelta por vez. Repita hasta que el tornillo se sienta ajustado.
5. Repita los pasos 3 y 4 para afianzar el tornillo opresor derecho al tornillo de tope.
IMPORTANTE: Cuando los tornillos se sientan ajustados, apriételes un cuarto de giro adicional. La manija no está bien instalada si no la aprieta más de esta manera.
6. Guarde la llave hexagonal en L y todas las instrucciones.

Cómo sacar las manijas

1. Mientras sostiene la manija, coloque el extremo pequeño de la llave hexagonal en L en el orificio de un tornillo opresor y gire la llave hexagonal en L un poco hasta afianzarla en el tornillo opresor.
2. Afloje el tornillo opresor girando de derecha a izquierda un cuarto de vuelta por vez.
3. Repita los pasos 1 y 2 para el otro tornillo opresor. Jale lentamente la manija hacia fuera de la puerta o del cajón.
4. Si es necesario, use un destornillador Phillips para quitar los tornillos de tope de la puerta.

Cierre y alineamiento de las puertas

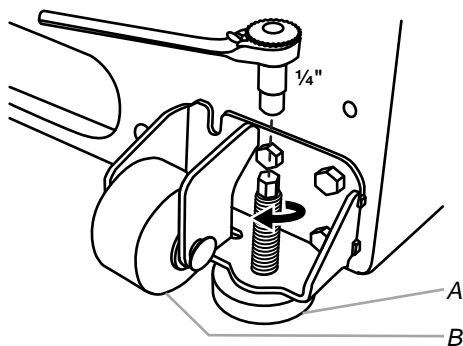
IMPORTANTE: Para cumplir con las pautas de American Disabilities Act (ADA) (Ley sobre Estadounidenses con Discapacidades), repliegue completamente los rodillos dentro de la carcasa para bajar el refrigerador.

Cierre de la puerta

La rejilla de la base cubre los ensamblajes de tornillos niveladores y rodillos, ubicados en la base de la carcasa del refrigerador, debajo del cajón del congelador. Antes de hacer ajustes, quite la rejilla de la base y traslade el refrigerador hacia su ubicación final.

1. Quite la rejilla de la base. Tome la rejilla con firmeza y tire de ella hacia usted.
2. Mueva el refrigerador a su ubicación final.
NOTA: Para permitir que el refrigerador se deslice con más facilidad, levante las patas niveladoras del piso girando los tornillos niveladores hacia la izquierda. Los rodillos frontales tocarán el piso.
3. Para que las puertas se cierren con más facilidad, use una llave hexagonal en L de 1/4" para girar ambos tornillos niveladores hacia la derecha. Esto hará que se levante la parte frontal del refrigerador, inclinándose ligeramente hacia abajo en la parte posterior. Gire ambos tornillos niveladores la misma cantidad de veces.

NOTA: Para quitar un poco de peso de los tornillos niveladores, haga que alguien empuje la parte superior del refrigerador. Esto facilita el giro de los tornillos.

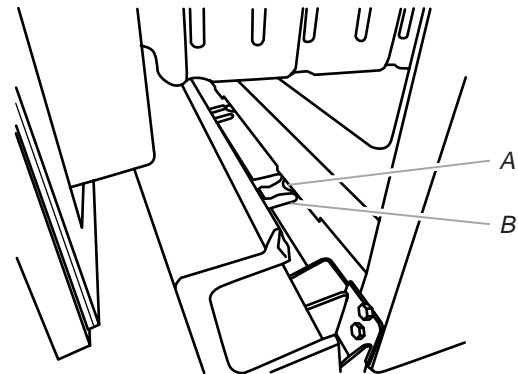


A. Tornillo nivelador
B. Rodillo frontal

4. Abra ambas puertas nuevamente para cerciorarse de que se cierren con la facilidad que usted desea y que permanezcan cerradas. De lo contrario, incline el refrigerador ligeramente más hacia la parte posterior, girando ambos tornillos reguladores hacia la derecha. Puede tomar varias vueltas más.

NOTA: Para mantener nivelado el refrigerador, deberá girar ambos tornillos niveladores la misma cantidad de veces.

5. Vuelva a colocar la rejilla de la base.
 - Jale el cajón del congelador para abrirlo.
 - Alinee los tres sujetadores que están en la parte posterior de la rejilla de la base con las tres lengüetas que están en la base del refrigerador.
 - Empuje la rejilla de la base hacia el refrigerador hasta que quede firme en el lugar.



A. Lengüeta
B. Sujetador

Alineamiento de las puertas

Si el espacio entre las puertas del refrigerador y el cajón del congelador parece desparejo, puede regularlo siguiendo las instrucciones a continuación:

1. Quite la cubierta de la bisagra superior.
2. Afloje los tornillos de la bisagra superior usando una llave de cubo o de tuercas de 5/16".
3. Haga que alguien sostenga la puerta en su lugar o coloque un espaciador entre las puertas y el cajón.
4. Apriete los tornillos de la bisagra superior una vez que la puerta esté en la ubicación deseada.
5. Vuelva a colocar la cubierta de la bisagra superior.

FILTROS Y ACCESORIOS

Sistema de filtración de agua

No use con agua que no sea microbiológicamente segura o que sea de calidad desconocida sin desinfectarla adecuadamente antes o después del sistema. Pueden usarse sistemas certificados para la reducción de quistes en aguas desinfectadas que puedan contener quistes filtrables.

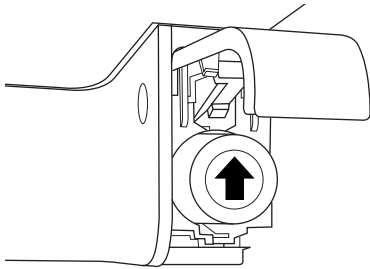
Luz de estado del filtro de agua

La luz del estado del filtro de agua le indicará cuándo cambiar el filtro de agua.

- GOOD (Bien) - El ícono del filtro de agua en el control se pondrá de color AZUL.
- ORDER (Pedir) PIDA un filtro de repuesto - El ícono del filtro de agua en el control se pondrá de color AMARILLO.

- **REPLACE (Reemplazar) REEMPLACE** el filtro de agua - El ícono del filtro de agua en el control se enciende de ROJO y aparecerá "Replace Filter" (Reemplace el filtro) en la pantalla.
- **EXPIRED (Vencido)** - El ícono del filtro de agua se pondrá de color ROJO y destellarán las palabras "Replace Filter" (Reemplace el filtro) en la pantalla.
NOTA: Si el flujo de agua a su despachador de agua o fábrica de hielo disminuye notoriamente, cambie el filtro más pronto. Se debe reemplazar el filtro de agua desechable al menos una vez cada 6 meses, según la calidad del agua y el uso.
- Después de cambiar el filtro de agua, reajuste el estado. Presione y sostenga el botón de WATER FILTER (Filtro de agua) por 3 segundos. Cuando se haya reajustado el sistema, el ícono del filtro de agua volverá a su color AZUL y desaparecerán las palabras "Replace Filter" (Reemplazar el filtro) de la pantalla.

Cómo cambiar el filtro de agua

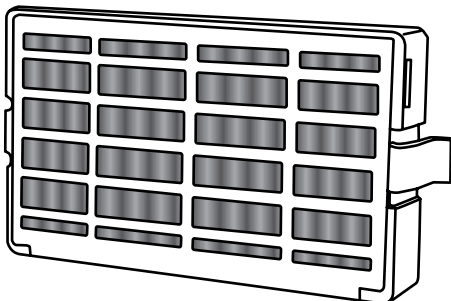


1. Ubique el filtro de agua que está ubicado en la esquina superior derecha del compartimiento del refrigerador.
2. Levante la puerta de protección del filtro para abrirla. El filtro se liberará y saldrá al mismo tiempo que se abre la puerta.
3. Cuando la puerta se haya abierto por completo, jale el filtro hacia fuera.
NOTA: Es posible que quede agua en el filtro. Es posible que se derrame un poco de esa agua. Use una toalla para secar cualquier derrame.
4. Saque el filtro nuevo de su empaque y quite las cubiertas de las juntas tóricas. Asegúrese de que las juntas tóricas sigan en su lugar después de que se quitaron las cubiertas.
5. Con la flecha mirando hacia arriba, alinee el nuevo filtro con el alojamiento del filtro y deslícelo en su lugar. La puerta de protección del filtro comenzará a cerrarse automáticamente a medida que se inserta el nuevo filtro.
6. Cierre por completo la puerta de protección del filtro para que el mismo encaje en su lugar. Tal vez necesite presionar con fuerza.
7. Enjuague el sistema de agua. Vea "Despachador de agua" o "Despachadores de agua y hielo".

Instalación del filtro de aire (en algunos modelos)

El filtro de aire reduce la acumulación de olores. Esto ayuda a mantener un ambiente más limpio dentro del refrigerador.

En algunos modelos, el paquete de accesorios del refrigerador incluye un filtro de aire, el cual debe instalarse antes del uso. En algunos modelos, el filtro de aire ya está instalado de fábrica.



Instale el filtro de aire

Instale el filtro de aire detrás de la puerta con orificios de ventilación, a lo largo de la pared posterior interior del compartimiento del refrigerador.

1. Saque el filtro de aire del paquete.

NOTA: Se incluye un indicador del estado del filtro de aire con el mismo. El indicador no es necesario para los modelos que muestran el estado del filtro de aire en el panel de control.

2. Levante la puerta con orificios de ventilación para abrirla.
3. Encaje el filtro en su lugar.

Indicador de estado del filtro de aire

El panel de control muestra el estado del filtro de aire.

- **GOOD (Bueno)** - El ícono del filtro de aire en el control se pondrá de color AZUL.
- **ORDER (Pedir) PIDA un repuesto** - El ícono del filtro de aire en el control se pondrá de color AMARILLO.
- **REPLACE (Reemplazar) REEMPLACE** el filtro de aire - El ícono del filtro de aire en el control se pondrá de color ROJO y aparecerán las palabras "Replace Filter" (Reemplace el filtro).
- **EXPIRED (Vencido)** - El ícono del filtro de aire se pondrá de color ROJO y destellarán las palabras "Replace Filter" (Reemplace el filtro) en la pantalla del control.

Después de reemplazar el filtro de aire, presione y sostenga el botón de AIR FILTER (Filtro de aire) durante 3 segundos. Los íconos del filtro se apagarán. Vea "Uso del (de los) control(es)". Cuando se haya restablecido el sistema, el ícono del filtro de aire volverá a su color AZUL y desaparecerán las palabras "Replace Filter" (Reemplace el filtro) de la pantalla.

NOTA: En cualquier estado del filtro, el presionar y sostener el botón de AIR FILTER (Filtro de aire) durante 3 segundos restablecerá el estado del filtro de aire en "Good" (Bueno) y el ícono del filtro de aire se apagará.

Reemplazo del filtro de aire

El filtro de aire desechable deberá reemplazarse cada 6 meses o cuando el ícono indicador de estado del filtro de aire se encienda y comience a destellar al abrirse la puerta del refrigerador.

Para pedir un filtro de aire de repuesto, póngase en contacto con nosotros. Consulte "Accesorios".

1. Quite el filtro viejo apretando las lengüetas laterales hacia dentro.
2. Instale el nuevo filtro de aire y vuelva a fijar el indicador de estado utilizando las instrucciones en las secciones anteriores.

Instalación del preservador de alimentos frescos (en algunos modelos)

El paquete con accesorios incluye dos bolsas de preservador de alimentos frescos, las cuales deberán instalarse en un cajón de verduras antes de usarse.

NOTA: Para el mejor desempeño, use siempre dos bolsas.

El preservador de alimentos frescos absorbe el etileno, para así enlentecer el proceso de maduración de varios productos frescos. A consecuencia de esto, ciertos productos permanecerán frescos por más tiempo.

La producción de etileno y el grado de sensibilidad dependen del tipo de fruta o vegetal.

Ritmo de producción de etileno				
	Muy bajo	Bajo	Alto	Muy alto
Sensibilidad al etileno				
Alta	Brócoli Lechuga Espinaca			Manzanas Peras
Media	Espárragos Frutos cítricos		Cantalupo	
Baja	Zanahorias Uvas	Bayas		

Cómo instalar el preservador de alimentos frescos

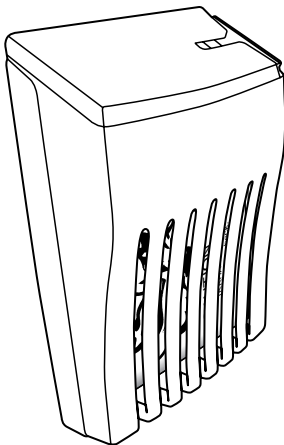
CUIDADO: PRODUCTO IRRITANTE

PUEDE IRRITAR LOS OJOS Y LA PIEL. SE FORMAN GASES PELIGROSOS CUANDO SE MEZCLA CON OTROS PRODUCTOS.

No lo mezcle con productos de limpieza que contengan amoníaco, blanqueador o ácidos. No deje que entre en contacto con los ojos, la piel o la ropa. No respire el polvo. Manténgalo fuera del alcance de los niños.

TRATAMIENTO DE PRIMEROS AUXILIOS: Contiene permanganato de potasio. Si se ingiere el producto, llame inmediatamente al Poison Control Center (Servicio de toxicología) o a un médico. No induzca al vómito. Si el producto se introduce en los ojos, enjuague con agua durante 15 minutos. Si entra en contacto con la piel, enjuague con agua.

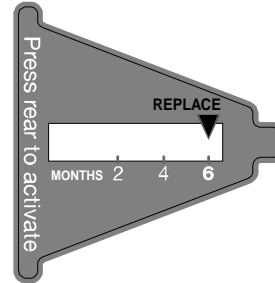
Las bolsas de preservador de alimentos frescos deberán instalarse en el alojamiento que está ubicado en la pared de uno de los cajones para verduras.



1. Saque las bolsas FreshFlow™ del preservador de alimentos frescos del paquete.
2. Levante el alojamiento para quitarlo de la lengüeta de montaje.
3. Abra el alojamiento jalando hacia arriba y hacia fuera sobre la parte posterior de la parte superior del alojamiento.
4. Coloque ambas bolsas dentro del alojamiento y cierre el alojamiento a presión.
5. Coloque el alojamiento nuevamente sobre la lengüeta de montaje.

Cómo instalar el indicador de estado del filtro

El preservador de alimentos frescos viene con un indicador de estado que se debe activar e instalar en el mismo momento que se instalan las bolsas.



1. Coloque el indicador boca abajo sobre una superficie firme y plana.
2. Para activar el indicador, aplique presión sobre la burbuja ubicada en la parte posterior del indicador, hasta que ésta se reviente.
3. Deslice la tapa que está en la parte superior del alojamiento del preservador de alimentos frescos para abrirlo.
4. Coloque el indicador en la parte superior del alojamiento, mirando hacia fuera.
5. Cierre la tapa deslizándola y revise que el indicador esté visible a través del orificio rectangular en la tapa.
NOTA: La tapa no se cerrará con facilidad si no se ha reventado la burbuja del indicador.

Cómo volver a colocar el preservador de alimentos frescos

Las bolsas desechables deberán reemplazarse cada 6 meses, cuando el indicador de estado haya cambiado de blanco a rojo completamente.

Contáctenos para pedir reemplazos. Consulte "Accesorios" para obtener información acerca de cómo hacer un pedido.

1. Quite las bolsas usadas del alojamiento del preservador de alimentos frescos.
2. Quite el indicador de estado usado.
3. Instale las bolsas de reemplazo y el nuevo indicador de estado siguiendo las instrucciones en las secciones anteriores.

Accesorios

Los siguientes accesorios están disponibles para su refrigerador. Para hacer un pedido, contáctenos y pida los números de pieza.

En los EE.UU., visite nuestra página de internet, www.whirlpool.com/accessories o llame al **1-800-901-2042**.

En Canadá, visite nuestra página de internet, www.whirlpoolparts.ca o llame al **1-800-807-6777**.

Limpiador de acero inoxidable affresh™† :

Pida la pieza N° W10355016

Toallitas húmedas para acero inoxidable affresh™†:

Pida la pieza N° W10355049

Limpiador para cocina y electrodomésticos affresh™†:

Pida la pieza N° W10355010

Filtro de agua:

Pida la pieza N° W10295370A o FILTER1

Filtro de aire:

Pida la pieza N° W10311524 o AIR1

Preservador de alimentos frescos:

Pida la pieza N° W10346771A o FRESH1

Paquete de filtro de agua, filtro de aire y filtro de etileno:

Pida la pieza N° W10443987BL

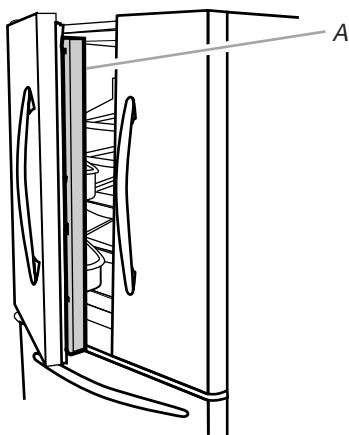
USO DE SU REFRIGERADOR

Cómo abrir y cerrar las puertas

El compartimiento del refrigerador tiene dos puertas. Las puertas pueden abrirse y cerrarse ya sea individualmente o a la vez.

Hay una junta con bisagras verticales en la puerta izquierda del refrigerador.

- Cuando se abre la puerta izquierda, la junta con bisagras se pliega hacia adentro automáticamente, para quedar fuera del camino.
- Cuando ambas puertas están cerradas, la junta con bisagras forma automáticamente un sello entre las dos puertas.



A. Junta con bisagras

Uso de los controles

IMPORTANTE:

- Espere 24 horas para que el refrigerador se enfríe completamente antes de agregar alimentos. Si agrega alimentos antes de que el refrigerador se haya enfriado por completo, sus alimentos podrían echarse a perder.

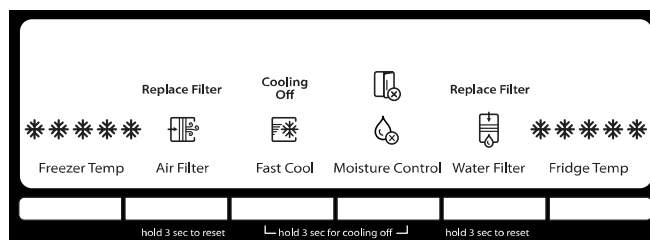
NOTA: Poner los controles de temperatura del refrigerador y del congelador en un ajuste más frío que el recomendado no enfriará más rápido los compartimientos.

- El ajuste recomendado debe ser el correcto para un uso doméstico normal del refrigerador. Los controles están ajustados correctamente cuando la leche o los jugos están tan fríos como Ud. desea y cuando el helado tiene consistencia firme.
- Si la temperatura está demasiado elevada o demasiado baja en el refrigerador o en el congelador, antes de regular los controles, revise primero los conductos de ventilación para cerciorarse de que no estén obstruidos.

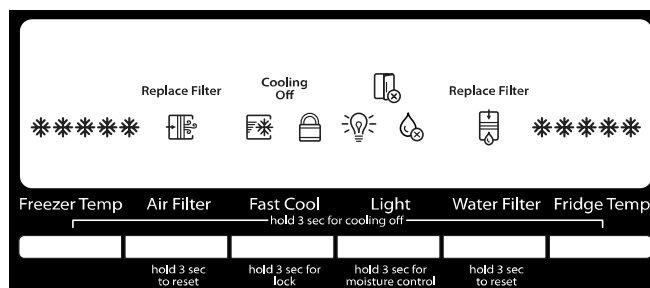
Panel de control

Según su modelo, su refrigerador tiene un panel de control interno, ubicado en la parte superior del compartimiento del refrigerador, o un panel de control externo, ubicado por encima del despachador externo de agua. Siga las instrucciones que sean específicas para su modelo.

Panel de control interno



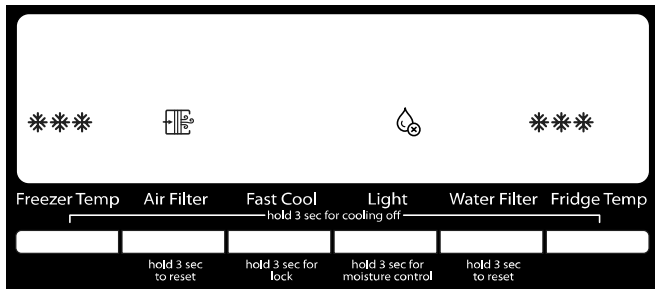
Panel de control externo



IMPORTANTE (control externo solamente): La pantalla en el panel de control del despachador se apagará automáticamente, e ingresará al modo de "dormir" cuando los botones del control y las paletas del despachador no se hayan utilizado por 2 minutos o más. Mientras esté en el modo de "dormir", al presionar por primera vez un botón de control solamente se reactivará la pantalla, sin cambiar ningún ajuste. Después de haberse reactivado se pueden realizar cambios a cualquiera de los ajustes. Si no se hacen cambios en menos de 2 minutos, la pantalla volverá a ingresar al modo de "dormir".

†™ AFFRESH es una marca de comercio de Whirlpool, U.S.A.

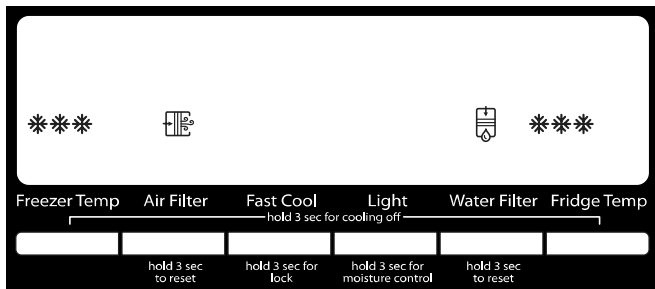
- Toque cualquier botón del control en el panel del despachador para activar la pantalla.



Control de temperatura

Para su comodidad, el control de temperatura ha sido prefijado de fábrica. Cuando instale el refrigerador por primera vez, asegúrese de que el control esté todavía fijado en el ajuste recomendado, como se muestra.

Ajuste recomendado de “3 copos de nieve”



Cómo ajustar los controles

Si necesita regular la temperatura en el compartimiento del refrigerador o del congelador, utilice como guía los ajustes que se enumeran en la tabla a continuación.

- Presione el botón de TEMP (Temperatura) para mostrar el número deseado de copos de nieve, de 1 copo de nieve (menos frío) a los 5 copos de nieve (más frío).

NOTA: No ajuste el control en más de un ajuste por vez, excepto cuando encienda el refrigerador. Espere 24 horas entre los ajustes para que se establezca la temperatura.

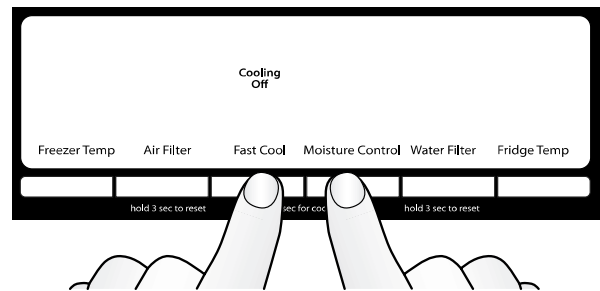
CONDICIÓN/MOTIVO:	AJUSTE:
REFRIGERADOR demasiado caliente	Un copo más de nieve en la TEMPERATURA DEL REFRIGERADOR
CONGELADOR demasiado caliente/muy poco hielo	Un copo más de nieve en la TEMPERATURA DEL CONGELADOR
REFRIGERADOR demasiado frío	Un copo menos de nieve en la en la TEMPERATURA DEL REFRIGERADOR
CONGELADOR demasiado frío	Un copo menos de nieve en la TEMPERATURA DEL CONGELADOR

Encendido/Apagado del enfriamiento

Su refrigerador y congelador no se enfriarán cuando el enfriamiento esté apagado. Siga las indicaciones que sean específicas para su modelo.

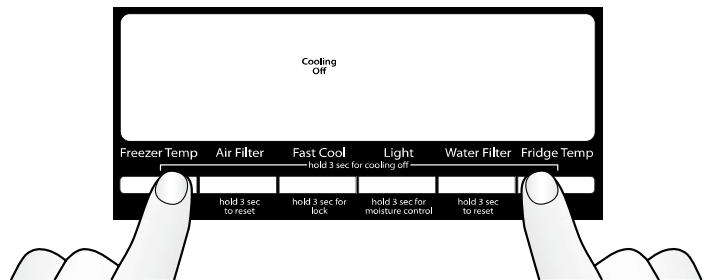
Panel de control interno

- Para apagar el enfriamiento, presione y sostenga los botones de FAST COOL (Enfriamiento rápido) y MOISTURE CONTROL (Control de humedad) al mismo tiempo durante 3 segundos. Cuando esté apagado el enfriamiento, aparecerá “Cooling Off” (Enfriamiento apagado) en la pantalla.
- Para volver a encender el enfriamiento, presione y sostenga los botones de FAST COOL (Enfriamiento rápido) y MOISTURE CONTROL (Control de humedad) al mismo tiempo durante 3 segundos. Cuando el enfriamiento esté encendido, “Cooling Off” (Enfriamiento apagado) desaparecerá y aparecerán en la pantalla los ajustes seleccionados previamente.



Panel de control externo

- Para apagar el enfriamiento, presione y sostenga FREEZER TEMP (Temperatura del congelador) y FRIDGE TEMP (Temperatura del refrigerador) a la vez durante 3 segundos. Cuando esté apagado el enfriamiento, aparecerá “Cooling Off” (Enfriamiento apagado) en la pantalla.
- Para volver a encender el enfriamiento. Presione y sostenga FREEZER TEMP (Temperatura del congelador) y FRIDGE TEMP (Temperatura del refrigerador) a la vez durante 3 segundos. Cuando el enfriamiento esté encendido, “Cooling Off” (Enfriamiento apagado) desaparecerá y aparecerán en la pantalla los ajustes seleccionados previamente.



Características adicionales

Alarma de puerta abierta

- El ícono de Puerta abierta se enciende cuando se abre cualquier puerta.



- Cuando cualquier puerta permanece abierta por 5 minutos y el enfriamiento está encendido, un tono de alerta sonará tres veces y el ícono de Puerta abierta destellará siete veces. Estas acciones se repetirán cada 2 minutos hasta que se cierren las puertas apropiadamente. La característica se vuelve a fijar entonces y se reactivará cuando se deje nuevamente cualquier puerta abierta durante 5 minutos.

NOTAS:

- Para silenciar la alarma audible mientras mantiene las puertas abiertas, como por ejemplo al limpiar el interior del refrigerador, presione cualquier botón en el panel de control. El sonido de la alarma estará apagado temporalmente, pero el ícono de Puerta abierta seguirá visible en la pantalla del panel de control del despachador.
- Ambas puertas deben estar completamente cerradas para que se apague el ícono de Puerta abierta.

Fast Cool (Enfriamiento rápido)

La característica de Fast Cool (Enfriamiento rápido) ayuda en los períodos de alto uso del refrigerador, cargas completas de comestibles o temperaturas ambientales temporalmente elevadas.

- Presione FAST COOL (Enfriamiento rápido) para fijar el congelador y el refrigerador en los ajustes de temperatura más fríos. Presione nuevamente FAST COOL (Enfriamiento rápido) para volver al punto fijo seleccionado de temperatura.

NOTAS:

- El ícono de Fast Cool (Enfriamiento rápido) se iluminará mientras el refrigerador se encuentre en el modo de Fast Cool (Enfriamiento rápido).
- La característica de Fast Cool (Enfriamiento rápido) se apagará automáticamente después de 24 horas.



Control de humedad

El control de humedad enciende un calentador para ayudar a reducir la humedad en el sello de la bisagra de la puerta. Úselo en ambientes húmedos o cuando note humedad en el sello de la bisagra de la puerta. El refrigerador utiliza más energía cuando Moisture Control (Control de humedad) está encendido.

NOTA: El ícono de control de humedad se encenderá para indicar que la característica está encendida.

Para encender o apagar la característica de control de humedad:

- Panel de control interno - Presione y sostenga MOISTURE CONTROL (Control de humedad) durante 3 segundos.
- Panel de control externo - Presione y sostenga LIGHT (Luz) durante 3 segundos.



Luz de estado del filtro de agua y reposición del filtro

El control de reposición del filtro le permite volver a iniciar la característica de control de estado del filtro de agua cada vez que reemplace el filtro de agua. Vea "Sistema de filtración de agua".

- Presione y sostenga WATER FILTER (Filtro de agua) por 3 segundos para reajustar el estado del filtro de agua a Good (Bueno). El ícono del filtro de agua se pondrá azul.



Luz de estado del filtro de aire y reposición del filtro

El control de reposición del filtro le permite volver a iniciar la característica de control de estado del filtro de aire cada vez que reemplace el filtro de aire. Consulte "Instalación del filtro de aire".

- Presione y sostenga AIR FILTER (Filtro de aire) por 3 segundos para reajustar el estado del filtro de aire a Good (Bueno). El ícono del filtro de aire se pondrá azul.



Despachador de agua (en algunos modelos)

IMPORTANTE:

- Deje que pasen 3 horas para que el refrigerador se enfríe y pueda enfriar el agua.
- Deje transcurrir 24 horas para la producción del primer lote de hielo. Deshágase de los tres primeros lotes de hielo producidos.
- El sistema de distribución no funcionará cuando la puerta del refrigerador esté abierta.

Enjuague el sistema de agua

El aire del sistema de despachado de agua puede hacer que gotee agua del despachador. Después de haber conectado el refrigerador a un suministro de agua o de haber reemplazado el filtro de agua, enjuague el sistema de agua.

Al enjuagar el sistema de despachado de agua, sacará el aire de la línea de agua y del filtro, y preparará el filtro de agua para ser usado. En algunas casas se podrá requerir enjuague adicional.

NOTA: A medida que sale aire del sistema, es posible que salgan chorros de agua repentinos del despachador.

1. Con un recipiente resistente, presione y sostenga la paleta del despachador de agua durante 5 segundos.
2. Suelte la paleta del despachador durante 5 segundos.
3. Repita los pasos 1 y 2 hasta que comience a salir el agua.
4. Una vez que el agua haya comenzado a correr, continúe presionando y soltando la paleta del despachador (5 segundos activado, 5 segundos desactivado) hasta despachar un total de 4 gal (15 L).

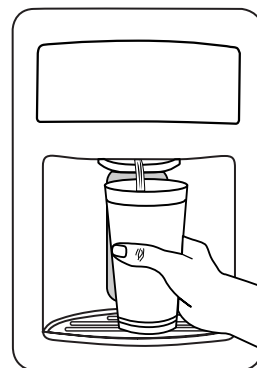
Cómo despachar agua

IMPORTANTE:

- El sistema de distribución no funcionará cuando la puerta del refrigerador esté abierta.
- La pantalla en el panel de control del despachador se apagará automáticamente, e ingresará al modo de "dormir" cuando los botones del control y las paletas del despachador no se hayan utilizado por 2 minutos o más. Mientras esté en el modo de "dormir", al presionar por primera vez un botón de control solamente se reactivará la pantalla, sin cambiar ningún ajuste. Después de haberse reactivado se pueden realizar cambios a cualquiera de los ajustes. Si no se hacen cambios en menos de 2 minutos, la pantalla volverá a ingresar al modo de "dormir".

Para despachar agua:

1. Oprima un vaso resistente contra la paleta del despachador de agua.
2. Retire el vaso para detener la salida de agua.



Luz del despachador

Cuando usted utilice el despachador, la luz se encenderá automáticamente. Si usted desea que la luz esté encendida continuamente, puede encender la luz. El ícono de la luz se iluminará cuando la luz esté encendida.



ENCENDIDO: Presione rápidamente LIGHT (Luz) para encender la luz del despachador.

OFF (Apagado): Presione rápidamente LIGHT (Luz) para apagar la luz del despachador.

NOTAS:

- Si presiona y sostiene accidentalmente LIGHT (Luz) por 3 segundos o más, encenderá la característica de Moisture Control (Control de humedad). Si sucede esto, presione y sostenga nuevamente LIGHT (Luz) durante 3 segundos para apagar la característica Moisture Control (Control de humedad).
- Las luces del despachador son LEDs y no se pueden cambiar. Si parece que las luces del despachador no están funcionando, vea “Solución de problemas” para obtener más información.

Bloqueo del despachador

El despachador puede apagarse para facilitar la limpieza o para evitar que sea activado accidentalmente por niños pequeños o animales domésticos.

NOTA: La función de bloqueo no interrumpe el flujo eléctrico al refrigerador, a la fábrica de hielo o a la luz del despachador. Únicamente desactiva los controles y las paletas del despachador. Para apagar la fábrica de hielo, vea “Fábrica de hielo y depósito”.

- Presione y sostenga FAST COOL (Enfriamiento rápido) durante 3 segundos para bloquear el despachador.
- Presione y sostenga nuevamente FAST COOL (Enfriamiento rápido) durante 3 segundos para desbloquear el despachador.

El ícono del candado se iluminará cuando el despachador esté bloqueado.



Fábrica de hielo

(en algunos modelos)

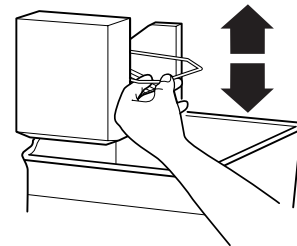
IMPORTANTE: Para los modelos con filtro de agua, después de conectar el refrigerador a un suministro de agua o de reemplazar el filtro de agua, llene y descarte tres recipientes completos de hielo para preparar el filtro de agua para el uso.

Para encender y apagar la fábrica de hielo

Para ENCENDER la fábrica de hielo, sencillamente baje el brazo de control de alambre.

Para APAGAR la fábrica de hielo manualmente, levante el brazo de control de alambre a la posición de OFF (Apagado - brazo elevado) y escuche el chasquido.

NOTA: Su fábrica de hielo tiene un apagado automático. A medida que se produce el hielo, los cubitos de hielo llenarán el depósito para hielo y éstos levantarán el brazo de control de alambre a la posición de OFF (Apagado - brazo elevado). No fuerce el brazo de control de alambre hacia arriba o hacia abajo.



Depósito de hielo

1. Lave el depósito de hielo con un jabón suave y agua tibia.
2. Deslice el depósito de hielo bajo la fábrica de hielo; empújelo hacia la parte posterior hasta donde sea posible.
3. Baje el brazo de la fábrica de hielo hacia la posición de “encendido”.

NOTA: Por lo general la fábrica de hielo toma aproximadamente 24 horas para comenzar a producir hielo. Tal vez note que el hielo tiene mal gusto. Si es así, deshágase de los tres primeros lotes de hielo producidos. Después de hacerlo, el hielo deberá tener un sabor normal.

Ritmo de la producción de hielo

- La fábrica de hielo deberá producir aproximadamente entre 8 y 12 lotes de hielo en un período de 24 horas. Deje transcurrir 3 días para que se vuelva a llenar por completo el depósito de hielo.
- Para aumentar la producción de hielo, baje la temperatura del congelador y del refrigerador. Vea “Uso del (de los) control(es)”. Deje transcurrir 24 horas entre ajustes.

Recuerde

- La calidad del hielo dependerá de la calidad del agua que suministre a su fábrica de hielo. Evite la conexión de su fábrica de hielo a un suministro de agua blanda. Los químicos para ablandar el agua (como la sal) pueden dañar ciertos componentes de la fábrica de hielo y producir un hielo de muy baja calidad. Si no se puede evitar el uso de un suministro de agua blanda, asegúrese de que el ablandador de agua esté funcionando correctamente y que goce de un buen mantenimiento.
- No use instrumentos afilados para romper el hielo en el depósito. Esto puede dañar el recipiente y el mecanismo de despacho.
- No guarde nada encima ni dentro de la fábrica de hielo o del depósito de hielo.

CARACTERÍSTICAS DEL REFRIGERADOR

NOTA: Su modelo podrá contar con algunas o todas estas características.

Información importante para saber acerca de los estantes y tapas de vidrio:

No limpie los estantes y tapas de vidrio con agua caliente mientras están fríos. Los estantes y tapas pueden romperse si se exponen a cambios bruscos de temperatura o impacto, como sería un golpe brusco. El vidrio templado se ha diseñado para hacerse añicos. Esto es normal. Los estantes y tapas de vidrio son muy pesados. Use ambas manos al sacarlos para evitar que se caigan.

Estantes del refrigerador

Los estantes de su refrigerador son ajustables para adaptarlos a sus necesidades individuales de almacenamiento.

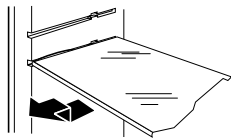
Estantes de vidrio

Para sacar un estante:

1. Saque los artículos del estante.
2. Deslice el estante directamente hacia fuera, hasta el tope.
3. Según el modelo, levante la parte trasera o delantera del estante y traspase el tope. Jale el resto del estante completamente hacia afuera.

Para volver a colocar un estante:

1. Deslice la parte trasera del estante en la guía de la pared de la carcasa.
2. Deslice la parte delantera del estante en la guía. Asegúrese de deslizar completamente el estante hacia adentro.



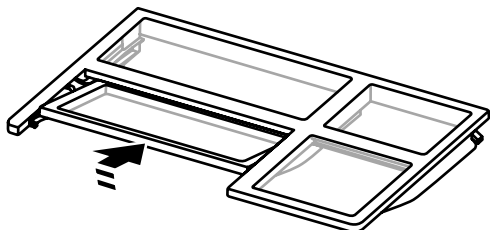
Estante plegadizo (en algunos modelos)

Para replegar el estante plegadizo:

- Repliegue la sección plegadiza del estante sosteniendo la parte delantera del mismo con una mano y levantándola sobre el frente central del estante. Luego empuje el estante hacia atrás y hacia abajo hasta que se deslice por debajo de la sección posterior del mismo.

Para volver a colocar el estante plegadizo:

- Vuelva a colocar la sección plegadiza del estante sosteniendo el frente del mismo con una mano y jalando el centro hasta que la sección plegadiza vuelva a su posición de estante completo.



Cajón-despensa

Cajón-despensa

Para quitar y volver a colocar el cajón-despensa:

1. Retire el cajón-despensa deslizándolo hacia afuera hasta el tope.
2. Levante la parte delantera del cajón-despensa con una mano mientras sostiene la base del cajón con la otra mano. Deslice el resto del cajón completamente hacia afuera.
3. Vuelva a colocar el cajón deslizándolo nuevamente hacia dentro hasta que pase el tope por completo.

Cubierta del cajón-despensa

Para quitar y volver a colocar la cubierta del cajón-despensa:

1. Quite el cajón-despensa.
2. Con la mano debajo de la cubierta de vidrio, empujela hacia arriba y jálela hacia fuera.
3. Vuelva a colocar la cubierta del cajón-despensa bajándola para que encaje en su lugar.
4. Vuelva a colocar el cajón-despensa.

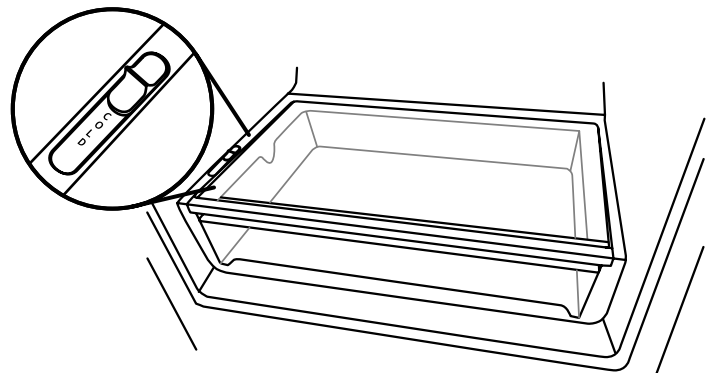
Control del cajón-despensa

La cantidad de aire que fluye a través del cajón-despensa afecta la temperatura en el interior del mismo.

El control de flujo de aire está ubicado en el lado izquierdo del cajón-despensa.

Para regular el flujo de aire:

- Más frío - Deslice el control hacia delante, hacia el frente del cajón-despensa; el flujo de aire está abierto.
- Frío - Deslice el control por completo hacia la parte posterior del cajón-despensa. El flujo de aire está cerrado, como se muestra.

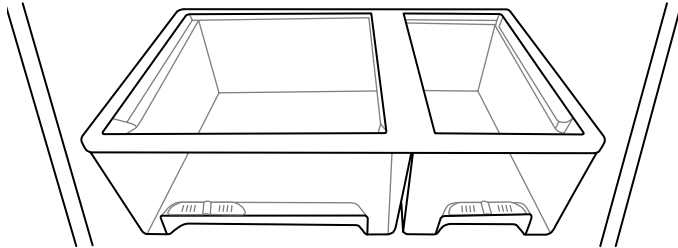


Cajón para verduras

Cajones para verduras

Para quitar y volver a colocar el cajón para verduras:

1. Deslice el cajón para verduras directamente hacia fuera, hasta el tope. Levante el frente y deslice el cajón hasta que salga.
2. Vuelva a colocar el cajón deslizándolo hacia dentro completamente pasando el tope.



Cubierta del cajón para verduras

Para quitar y volver a colocar la cubierta de vidrio del cajón para verduras:

1. Jale el vidrio en sentido recto hacia afuera.
2. Vuelva a colocar el vidrio empujándolo en sentido recto hacia adentro.

Control de humedad del cajón para verduras (en algunos modelos)

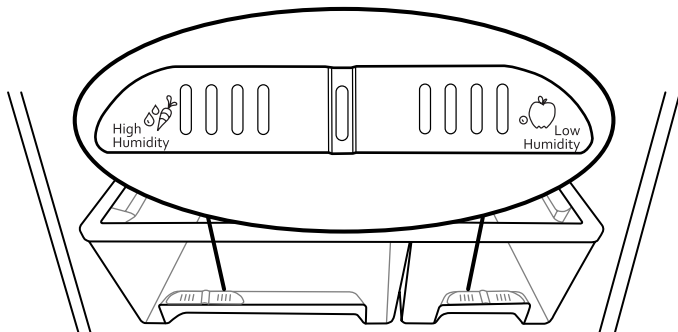
Usted puede controlar el nivel de humedad en el cajón hermético para verduras. Regule el control a cualquier ajuste entre LOW (Bajo) y HIGH (Alto).

LOW (abierto) deja que el aire húmedo salga del cajón para verduras, y es el más adecuado para conservar las frutas y verduras con cáscara.

- Frutas: Lávelas, déjalas secar y guárdelas en el refrigerador en bolsas de plástico o en el cajón para verduras. No lave ni pele las bayas hasta el momento de usarlas. Separe y guarde las frutas del bosque en su recipiente original en el cajón para verduras, o guárdelas sin apretar en una bolsa de papel cerrada en un estante del refrigerador.
- Verduras con cáscaras: Colóquelas en una bolsa de plástico o un recipiente de plástico y guárdelas en el cajón para verduras.

HIGH (cerrado) mantiene el aire húmedo en el cajón para verduras, y es el más adecuado para conservar las verduras frescas de hoja.

- Verduras de hoja: Lávelas con agua fría, escúrralas y corte o arranque las partes magulladas o amarillentas. Colóquelas en una bolsa o recipiente de plástico y guárdelas en el cajón para verduras.



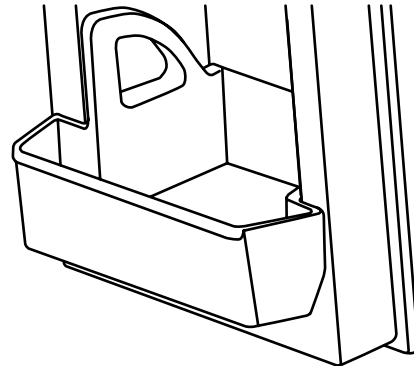
CARACTERÍSTICAS DE LA PUERTA

NOTA: Su modelo podrá contar con algunas o todas estas características.

Recipientes para condimento

Para quitar y volver a colocar los recipientes para condimento:

1. Incline el recipiente agarrándolo y jalándolo hacia fuera.
2. Quítelo agarrándolo y levantándolo de las guías.
3. Vuelva a colocar el recipiente deslizándolo nuevamente sobre las guías y empujándolo hasta que se cierre.

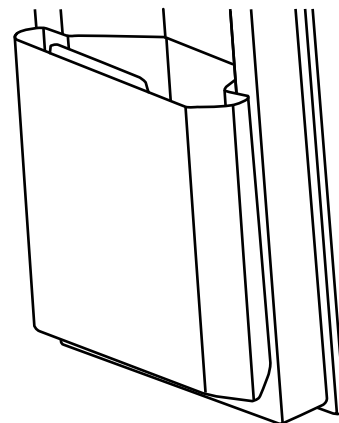


Recipiente para productos frescos

(en algunos modelos)

Para quitar y volver a colocar el recipiente para productos frescos:

1. Abra el recipiente agarrando el borde superior central del mismo; incline el recipiente hacia fuera.
2. Saque el recipiente agarrando ambos lados del mismo y levantándolo por encima de las guías.
3. Vuelva a colocar el recipiente deslizándolo nuevamente hasta su posición inclinada sobre las guías y empujándolo hasta que se cierre.

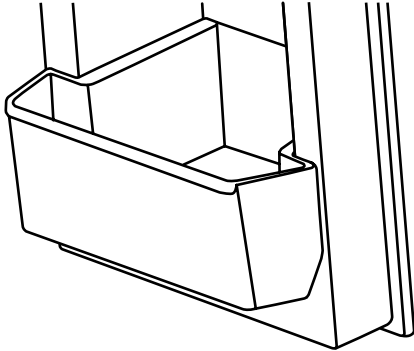


Recipiente de altura media

(en algunos modelos)

Para quitar y volver a colocar el recipiente de altura media:

1. Incline el recipiente agarrándolo y jalándolo hacia fuera.
2. Quítelo agarrándolo y levantándolo de las guías.
3. Vuelva a colocar el recipiente deslizándolo nuevamente sobre las guías y empujándolo hasta que se cierre.



CUIDADO DE SU REFRIGERADOR

Limpieza

⚠️ ADVERTENCIA



Peligro de Explosión

Use un limpiador no inflamable.

No seguir esta instrucción puede ocasionar la muerte, explosión o incendio.

Tanto la sección del refrigerador como la del congelador se descongelan automáticamente. No obstante, limpie ambas secciones más o menos una vez al mes para evitar la acumulación de olores. Limpie los derrames de inmediato.

IMPORTANTE:

- Debido a que el aire circula entre ambas secciones, los olores que se formen en una sección pasarán a la otra. Para eliminar los olores, limpie completamente ambas secciones. Para evitar la transferencia de olores y la deshidratación de los alimentos, envuelva o tape bien los alimentos.
- Para los modelos de acero inoxidable, el acero inoxidable es resistente a la corrosión y no a prueba de corrosión. Para ayudar a evitar la corrosión del acero inoxidable, mantenga las superficies limpias, siguiendo las instrucciones de limpieza a continuación.

Para limpiar su refrigerador:

NOTA: No use productos de limpieza abrasivos o ásperos, como aerosoles para ventanas, productos de limpieza para fregar, líquidos inflamables, ácido muriático, ceras para limpieza, detergentes concentrados, blanqueadores o productos de limpieza que contengan productos derivados del petróleo en las superficies exteriores (puertas y carcasa), las partes de plástico, en el interior y en los revestimientos o juntas de la puerta. No use toallas de papel, estropajos para fregar u otros utensilios de limpieza ásperos.

1. Desenchufe el refrigerador o desconecte el suministro de energía.
2. Lave a mano, enjuague y seque todas las partes desmontables y las superficies interiores meticulosamente. Use una esponja limpia o un paño liso y un detergente suave en agua tibia.
3. Limpie las superficies exteriores.

Metal pintado: Limpie el exterior de metal pintado con un paño limpio y liso, o una esponja y un detergente suave en agua tibia. Enjuague las superficies con agua tibia limpia y séquelas inmediatamente para evitar las manchas de agua.

Acero inoxidable: Lave las superficies de acero inoxidable con un paño limpio y liso o una esponja y un detergente suave en agua tibia. Enjuague las superficies con agua tibia limpia y séquelas inmediatamente para evitar las manchas de agua.

NOTA: Cuando limpie el acero inoxidable, siempre talle en la dirección del hilo para evitar rayar a través del hilo.

4. No es necesaria una limpieza rutinaria del condensador en ambientes de funcionamiento normal en el hogar. Si el ambiente es particularmente grasoso o polvoriento, o si hay bastante tránsito de mascotas en el hogar, el condensador deberá limpiarse cada dos o tres meses para asegurar la máxima eficiencia.

Si necesita limpiar el condensador:

- Quite la rejilla de la base.
 - Use una aspiradora con un cepillo suave para limpiar la rejilla, las áreas abiertas detrás de la rejilla y el área de la superficie frontal del condensador.
 - Vuelva a colocar la rejilla de la base cuando termine.
5. Enchufe el refrigerador o reconecte el suministro de energía.

Cómo cambiar los focos

IMPORTANTE:

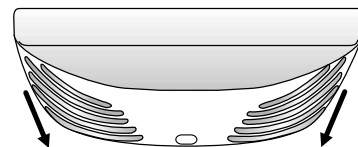
- No todos los focos para electrodomésticos son adecuados para su refrigerador. Asegúrese de reemplazar el foco con otro foco para electrodomésticos del mismo tamaño, forma y vataje.
- Para asegurar el desempeño óptimo del refrigerador, reemplace los focos en cuanto se quemen.

Luz del compartimiento del refrigerador

La luz ubicada en la parte superior del compartimiento del refrigerador nunca necesita ser reemplazada. Si las luces no se encienden cuando se abre la puerta, llame para solicitar ayuda o servicio técnico. En los EE.UU., llame al **1-800-253-1301**. En Canadá, llame al **1-800-807-6777**.

Luz del compartimiento del congelador (en algunos modelos)

1. Desenchufe el refrigerador o desconecte el suministro de energía.
2. Quite la pantalla de la luz (en algunos modelos).
 - Parte superior del compartimiento del congelador - Deslice la pantalla de la luz hacia la parte posterior del compartimiento para liberarla del ensamblaje de luz.




3. Reemplace el foco quemado con un foco para electrodomésticos que no sea de más de 25 vatios.
4. Vuelva a colocar la pantalla de luz.
5. Enchufe el refrigerador o reconecte el suministro de energía.

SOLUCIÓN DE PROBLEMAS

Pruebe primero las soluciones sugeridas aquí o visite nuestro sitio de internet y consulte “Preguntas que se hacen con frecuencia”, para evitar posiblemente el costo de una visita de servicio técnico. En EE.UU., www.whirlpool.com En Canadá, www.whirlpool.ca

Funcionamiento

⚠ ADVERTENCIA



Peligro de Choque Eléctrico
Conecte a un contacto de pared de conexión a tierra de 3 terminales.
No quite la terminal de conexión a tierra.
No use un adaptador.
No use un cable eléctrico de extensión.
No seguir estas instrucciones puede ocasionar la muerte, incendio o choque eléctrico.

PROBLEMA	CAUSAS POSIBLES	SOLUCIONES
El refrigerador no funciona	Verifique el suministro eléctrico	Conecte el cable eléctrico a un contacto de pared de conexión a tierra de 3 terminales. No use un cable eléctrico de extensión. Asegúrese de que haya corriente en el contacto. Enchufe una lámpara para ver si funciona el enchufe. Reposicione el cortacircuitos si se ha disparado. Reemplace los fusibles que se hayan quemado. NOTA: Si los problemas continúan, contacte a un electricista.
	Revise los controles	Asegúrese de que los controles estén encendidos. Vea “Uso de los controles”.
	La instalación es nueva	Deje transcurrir 24 horas después de la instalación para que el refrigerador se enfríe por completo. NOTA: El ajustar los controles de temperatura en la posición más fría no enfría ningún compartimiento más rápido.

PROBLEMA	CAUSAS POSIBLES	SOLUCIONES
El motor parece funcionar excesivamente	Compresor y ventiladores de alto rendimiento	Esto es normal. Los refrigeradores más grandes y más eficaces funcionan durante un tiempo más prolongado.
	La temperatura ambiente o la temperatura exterior es elevada	Es normal que el refrigerador funcione durante más tiempo bajo estas condiciones. Para un óptimo rendimiento, coloque el refrigerador en un ambiente interior con temperatura controlada. Vea “Requisitos de ubicación”.
	Se ha agregado recientemente una gran cantidad de alimentos calientes	Los alimentos calientes harán que el refrigerador funcione por más tiempo hasta que enfríe el aire a la temperatura deseada.
	Se abre(n) la(s) puerta(s) con demasiada frecuencia o por demasiado tiempo	El aire caliente que entra en el refrigerador hace que éste funcione por más tiempo. Abra la puerta con menos frecuencia.
	Está entreabierta la puerta del refrigerador o el cajón del congelador	Asegúrese de que el refrigerador esté nivelado. Vea “Cierre y alineamiento de la puerta”. Evite que los alimentos y los recipientes bloqueen la puerta.
	El control del refrigerador se ha fijado a una temperatura demasiado baja	Regule el control del refrigerador hacia un ajuste menos frío hasta que la temperatura del mismo esté como se desea. Vea “Uso de los controles”.
	Está sucia, gastada o rajada la junta de la puerta o del cajón	Limpie la junta o cámbiela. Las fugas en el sello de la puerta harán que el refrigerador funcione por más tiempo para mantener las temperaturas deseadas.
Las luces no funcionan	Hay un foco flojo o quemado	Apriete el foco o reemplácelo. Vea “Cómo cambiar los focos”.
	Se ha fijado la luz del despachador en OFF (Apagado)	En algunos modelos, la luz del despachador funcionará solamente cuando se presione una paleta del despachador. Si usted desea que la luz del despachador esté encendida continuamente, vea “Despachadore de agua”.
	Se ha fijado el control en Sabbath Mode (Modo de descanso) (en algunos modelos)	Apague Sabbath Mode. Vea “Uso de los controles”.

Ruido

PROBLEMA	CAUSAS POSIBLES	SOLUCIONES
El refrigerador parece ser ruidoso A continuación se enumeran algunos sonidos normales con explicaciones.	El compresor de su nuevo refrigerador regula la temperatura con más eficacia, a la vez que usa menos energía y funciona silenciosamente. Debido a la reducción en el ruido de funcionamiento, es posible que note más ruidos intermitentes.	
El sonido del compresor dura más largo de lo que se esperaba	Compresor y ventiladores de alto rendimiento	Esto es normal. Los refrigeradores más grandes y más eficaces funcionan durante un tiempo más prolongado.
Pulsaciones/Runruneos	Los ventiladores/el compresor se ajustan para mejorar el rendimiento al máximo durante el funcionamiento normal del compresor	Esto es normal
Estallido	Contracción/expansión de las paredes interiores, especialmente durante el enfriamiento inicial	Esto es normal
Sonido sibilante/Goteos	Flujo de refrigerante o flujo de aceite en el compresor	Esto es normal
Vibración	Es posible que el refrigerador no esté estable	Regule los tornillos niveladores y baje la pata niveladora con firmeza contra el piso. Vea “Cierre y alineamiento de las puertas”.
Traqueteo o golpeteo fuerte	Movimiento de las líneas de agua contra la carcasa del refrigerador o artículos colocados sobre la misma	Mueva el exceso de la línea de agua lejos de la carcasa del refrigerador o sujete el exceso de tubería a la carcasa. Vea “Conexión del suministro de agua” o quite los artículos de la parte superior del refrigerador.

PROBLEMA	CAUSAS POSIBLES	SOLUCIONES
Chisporroteos	Agua goteando en el calentador durante el ciclo de descongelación	Esto es normal
Agua corriendo/gorgoteos	Puede escucharse cuando el hielo se derrite durante el ciclo de descongelación y corre hacia la bandeja recolectora	Esto es normal
Zumbido	Se escucha cuando la válvula de agua se abre para llenar la fábrica de hielo	Esto es normal
Chirridos/Crujidos	Pueden escucharse cuando el hielo es expulsado del molde de la fábrica de hielo	Esto es normal
Golpe fuerte	Puede escucharse cuando el hielo cae en el depósito de hielo	Esto es normal

Temperatura y humedad

PROBLEMA	CAUSAS POSIBLES	SOLUCIONES
La temperatura está demasiado elevada	El refrigerador se ha instalado recientemente	Deje transcurrir 24 horas después de la instalación para que el refrigerador se enfríe por completo.
	Está apagado el enfriamiento	Encienda el enfriamiento. Vea “Uso de los controles”.
	No se han ajustado los controles correctamente de acuerdo con las condiciones circundantes	Ajuste los controles un ajuste más frío. Fíjese en la temperatura en 24 horas. Vea “Uso del (de los) control(es)”.
	Se abre(n) la(s) puerta(s) a menudo o no se cierra(n) por completo.	Esto hace que entre aire tibio al refrigerador. Reduzca al mínimo el número de veces que abre la puerta y mantenga las puertas completamente cerradas.
	Se ha agregado recientemente una gran cantidad de alimentos	Deje que transcurran varias horas para que el refrigerador vuelva a la temperatura normal.
La temperatura está demasiado baja en el refrigerador/cajón para verduras	Está(n) bloqueado(s) el (los) orificio(s) de aire del refrigerador	Si el orificio de ventilación, ubicado en la esquina superior posterior izquierda del compartimento del refrigerador, está obstruido con artículos colocados directamente en frente del mismo, la temperatura del refrigerador se pondrá demasiado baja. Mueva los artículos lejos del orificio de ventilación de aire.
	No se han ajustado los controles correctamente de acuerdo con las condiciones circundantes	Ajuste los controles en un ajuste más caliente. Fíjese en la temperatura en 24 horas. Vea “Uso de los controles”.
	El depósito de hielo no está en la posición correcta	Vea “Fábrica de hielo”.
La temperatura está demasiado baja en los cajones-despensa	El control no se ha fijado correctamente para los artículos guardados en el cajón.	Regule el ajuste del control. Vea “Características del refrigerador”.
Hay acumulación de humedad en el interior NOTA: Cierta acumulación de humedad es normal.	La habitación está húmeda	El ambiente húmedo contribuye a que se acumule la humedad.
	Se abre(n) la(s) puerta(s) a menudo o no se cierra(n) por completo.	Esto hace que entre aire húmedo al refrigerador. Reduzca al mínimo las veces que abre la puerta y cierre las puertas por completo.
	La puerta queda abierta debido a un bloqueo	Mueva los paquetes de alimentos lejos de la puerta.
	Hay un recipiente o un estante bloqueando el paso	Empuje el recipiente o el estante nuevamente a la posición correcta.
	Se está guardando líquido en recipientes abiertos	Esto agrega humedad al interior del refrigerador. Mantenga todos los recipientes bien cerrados.

PROBLEMA	CAUSAS POSIBLES	SOLUCIONES
Hay acumulación de escarcha/hielo en el compartimiento del congelador	Se abren las puertas a menudo o se dejan abiertas	Reduzca al mínimo el número de veces que abre la puerta y mantenga las puertas completamente cerradas
	Puerta mal sellada	Cerchiórese de que los sellos de la puerta hagan contacto por completo con la carcasa del refrigerador, para permitir que se selle por completo.
	Los controles de temperatura no están fijados correctamente	Consulte "Uso de los controles" para ver los ajustes recomendados de temperatura.

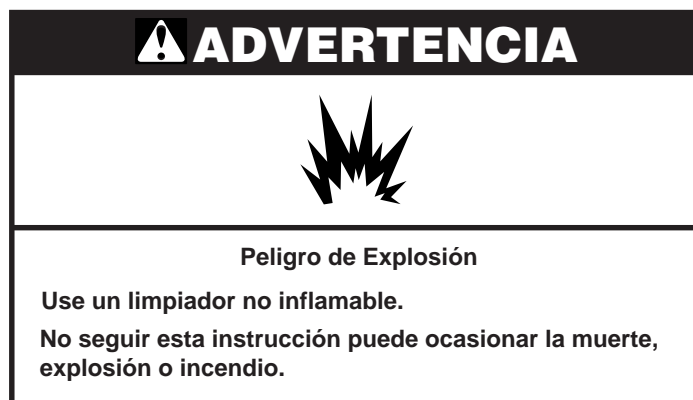
Hielo y agua

PROBLEMA	CAUSAS POSIBLES	SOLUCIONES
La fábrica de hielo no produce hielo o no produce suficiente hielo	No se ha conectado el refrigerador a un suministro de agua o no se ha abierto la válvula de suministro de agua	Conecte el refrigerador al suministro de agua y abra completamente la válvula de cierre.
	Hay un estrechamiento en la tubería de agua de la casa	Un estrechamiento en la tubería puede reducir el flujo de agua. Enderece la tubería de suministro de agua.
	No se ha encendido la fábrica de hielo	Asegúrese de que la fábrica de hielo esté encendida. Vea "Fábrica de hielo".
	El refrigerador se ha instalado recientemente	Espere 24 horas después de la instalación de la fábrica de hielo para que empiece a producir hielo. Deje transcurrir 3 días para la producción total de hielo.
	La puerta del refrigerador no se cierra por completo	Cierre la puerta con firmeza. Si no se cierra completamente, vea "Las puertas no cierran completamente".
	Se acaba de sacar una gran cantidad de hielo	Deje transcurrir 24 horas para que la fábrica de hielo se restablezca.
	Se trabó un cubo de hielo en el brazo eyector de la fábrica de hielo	Saque el hielo del brazo eyector con un utensilio de plástico. NOTA: En algunos modelos, presione la palanca que abre la puerta de la fábrica de hielo para tener acceso al brazo eyector.
	Hay un filtro de agua instalado en el refrigerador	Saque el filtro de agua y ponga a funcionar la fábrica de hielo. Si el volumen de agua aumenta, el filtro puede estar obstruido o haberse instalado incorrectamente. Reemplace el filtro o vuelva a instalarlo correctamente.
Los cubos de hielo son huecos o pequeños NOTA: Esto es una indicación de baja presión de agua.	Se ha conectado un sistema de filtración de agua de ósmosis inversa al suministro de agua fría	Esto puede hacer que disminuya la presión de agua. Vea "Requisitos del suministro de agua".
	La válvula de cierre de agua no está abierta por completo	Abra completamente la válvula de cierre de agua.
	Hay un estrechamiento en la tubería de agua de la casa	Un estrechamiento en la tubería puede reducir el flujo de agua. Enderece la tubería de suministro de agua.
	Hay un filtro de agua instalado en el refrigerador	Saque el filtro y ponga a funcionar la fábrica de hielo. Si mejora la calidad de hielo, el filtro puede estar obstruido o haberse instalado incorrectamente. Reemplace el filtro o vuelva a instalarlo correctamente.
	Se ha conectado un sistema de filtración de agua de ósmosis inversa al suministro de agua fría	Esto puede hacer que disminuya la presión de agua. Vea "Requisitos del suministro de agua".
Aún tiene preguntas acerca de la presión de agua	Llame a un plomero competente autorizado.	

PROBLEMA	CAUSAS POSIBLES	SOLUCIONES
El hielo o agua tiene mal sabor, mal olor o un color grisáceo	Se han instalado o reemplazado recientemente las conexiones de plomería. Las conexiones nuevas de plomería pueden producir hielo o agua descoloridos o de mal sabor.	Deseche el hielo y lave el depósito de hielo. Enjuague el sistema de agua con 4 gal. (15 L) de agua. Deje que transcurran 24 horas para que la fábrica de hielo haga hielo nuevo y descarte los 3 primeros lotes de hielo producido.
	Se ha guardado el hielo por demasiado tiempo	Deseche ese hielo. Lave el depósito de hielo. Deje transcurrir 24 horas para que la fábrica de hielo haga hielo nuevo.
	Se ha guardado el agua por demasiado tiempo	Despache por lo menos 1 qt (1 L) de agua cada semana para mantener un suministro fresco.
	Se ha transferido el olor de los alimentos guardados al hielo	Use recipientes herméticos contra humedad para almacenar comida.
	El agua contiene minerales (como el azufre)	Podría ser necesario instalar un filtro de agua para eliminar los minerales.
	Hay un filtro de agua instalado en el refrigerador	Un descoloramiento oscuro o un color gris del hielo pueden indicar que el sistema de filtrado de agua necesita enjuagarse más. Enjuague el sistema de agua después de la instalación y antes de usar un nuevo filtro de agua. Consulte “Despachadores de agua y hielo” para ver las instrucciones para enjuagar el filtro de agua.
El despachador de agua no funciona debidamente	El filtro de agua debe ser reemplazado	Reemplace el filtro de agua desechable por lo menos cada 6 meses o cuando se indique. Vea “Sistema de filtración de agua”.
	No se ha conectado el refrigerador a un suministro de agua o no se ha abierto la válvula de suministro de agua	Conecte el refrigerador al suministro de agua y abra completamente la válvula de cierre de agua.
	Hay un estrechamiento en la tubería de agua de la casa	Un estrechamiento en la tubería puede reducir el flujo de agua del despachador y hacer que el hielo quede hueco o tenga una forma irregular. Enderece la tubería de suministro de agua.
	El refrigerador se ha instalado recientemente	Enjuague y llene el sistema de agua. Vea “Despachador de agua”.
	La presión de agua a la casa no está al mínimo de 30 lb/pulg ² (207 kPa)	La presión de agua a la casa determina el flujo del despachador. Vea “Requisitos del suministro de agua”.
	Se ha conectado un sistema de filtración de agua de ósmosis inversa al suministro de agua fría	Un sistema de filtración de agua por ósmosis inversa puede disminuir la presión de agua. Vea “Requisitos del suministro de agua”.
	Hay un filtro de agua instalado en el refrigerador	Saque el filtro y ponga a funcionar el despachador. Si mejora el flujo de agua, el filtro de agua puede estar obstruido o haberse instalado incorrectamente. Reemplace el filtro o vuelva a instalarlo correctamente.
	La puerta del refrigerador no se cierra por completo	Cierre la puerta con firmeza. Si no se cierra completamente, vea “Las puertas no cierran completamente”.
Hay fugas de agua o goteos en el sistema del despachador NOTA: Es normal que caigan unas pocas gotas de agua después de servir agua.	Se han quitado recientemente las puertas del refrigerador	Asegúrese de que el conjunto de tubería/alambre del despachador de agua se haya vuelto a conectar como es debido en la parte superior de la puerta del refrigerador. Vea “Cómo sacar y volver a colocar las puertas y el frente del cajón del refrigerador”.
	No se ha puesto el vaso debajo del despachador el tiempo suficiente	Sostenga el vaso debajo del despachador por 2 a 3 segundos después de soltar la palanca del despachador.
Continúan saliendo gotas de agua del despachador después de las primeras gotas.	El refrigerador se ha instalado recientemente	Si se enjuaga el sistema de agua, se saldrá el aire de las líneas, causante de que el agua se gotee. Enjuague el sistema de agua. Vea “Despachador de agua”.
	Se ha cambiado recientemente el filtro de agua	Si se enjuaga el sistema de agua, se saldrá el aire de las líneas, causante de que el agua se gotee. Enjuague el sistema de agua. Vea “Despachador de agua”.

PROBLEMA	CAUSAS POSIBLES	SOLUCIONES
Hay fugas de agua de la parte trasera del refrigerador	Las conexiones de la línea de agua no se ajustaron por completo.	Vea "Conexión del suministro de agua".
	Se sacaron las puertas recientemente y no se ajustó por completo la conexión de la línea de agua	Vea "Cómo sacar y volver a colocar las puertas y el frente del cajón del refrigerador".
El agua del despachador está tibia NOTA: El agua del despachador se enfría solamente a 50 °F (10 °C).	El refrigerador se ha instalado recientemente	Deje transcurrir 24 horas después de la instalación para que el suministro de agua se enfríe completamente.
	Se acaba de sacar una gran cantidad de agua	Deje transcurrir 3 horas para que el agua se enfríe completamente.
	No se ha usado el despachador de agua recientemente	Puede ser que el primer vaso de agua no esté frío. Descarte el agua del primer vaso.
	El refrigerador no está conectado a una tubería de agua fría	Asegúrese de que el refrigerador esté conectado a una tubería de agua fría. Vea "Requisitos del suministro de agua".

Puertas



PROBLEMA	CAUSAS POSIBLES	SOLUCIONES
La(s) puerta(s) o el cajón no se cierra(n) completamente	La puerta o el cajón queda abierta(o) debido a un bloqueo	Aleje los paquetes de alimentos de la(s) puerta(s). Saque el hielo u otro artículo que pudiera haberse caído en la base del compartimiento del congelador.
	Hay un recipiente o un estante bloqueando el paso	Empuje el recipiente o el estante nuevamente a la posición correcta.
	Recientemente instalado	Quite todos los materiales de empaque.
Es difícil abrir las puertas	Las juntas de la puerta están sucias o pegajosas	Limpie las juntas y las superficies de contacto con jabón suave y agua tibia. Enjuague y seque con un paño suave.
Las puertas parecen estar desparejas	Las puertas necesitan alinearse o el refrigerador necesita ser nivelado	Vea "Cierre y alineamiento de la puerta".
Las puertas no se abren ni se cierran como se esperaba	Tal vez necesite ajustarse la inclinación del refrigerador.	Regule la inclinación del refrigerador. Vea "Cierre y alineamiento de la puerta".

HOJA DE DATOS DEL RENDIMIENTO

Sistema de filtración de agua Modelo P5WB12NL/P4RFWB12 Capacidad de 120 galones (455 litros)



Sistema comprobado y certificado por NSF International, según la norma 42 NSF/ANSI para la reducción de cloro, sabor y olor, y clase de partículas I*; y según la norma 53 NSF/ANSI para la reducción de quistes vivos, asbestos, plomo, lindano, toxafeno, atrazina, y 2,4 - D.

Este sistema ha sido comprobado según las normas 42 y 53 NSF/ANSI para la reducción de las sustancias citadas a continuación. La concentración de las sustancias indicadas en agua entrando al sistema fue reducida a una concentración menor o igual al límite permitido para agua saliendo del sistema, tal como se especifica en las normas 42 y 53 NSF/ANSI.

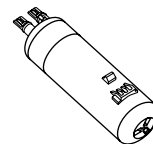
Reducción de sustancias Efectos estéticos	Requisitos de reducción de NSF	Promedio influente	Concentración en el agua a tratar	Máximo efluente	% Mínimo reducción	% Promedio reducción
Cloro, sabor/olor Clase de partículas I*	50% reducción 85% reducción	2,0 mg/L 7.300.000 #/mL	2,0 mg/L ± 10% Por lo menos 10.000 partículas/mL	0,20 mg/L 75.000 #/mL**	97 99	97,2 99,4
Reducción de contaminantes	Requisitos de reducción de NSF	Promedio influente	Concentración en el agua a tratar	Máximo efluente	% Mínimo reducción	% Promedio reducción
Quistes vivos [†]	99,95%	160.000/L	50.000/L min.	54/L [†]	99,97	99,99
Asbestos	99%	87 MFL	10 ⁷ a 10 ⁸ fibras/L ^{††}	0,17 MFL	99	99
Plomo: @ pH 6,5 Plomo: @ pH 8,5	0,010 mg/L 0,010 mg/L	0,160 mg/L 0,140 mg/L	0,15 mg/L ± 10% 0,15 mg/L ± 10%	0,001 mg/L 0,005 mg/L	99,4 98,6	99,4 98,6
Lindano	0,0002 mg/L	0,0019 mg/L	0,002 mg/L ± 10%	0,00002 mg/L	98,9	99
Toxafeno	0,003 mg/L	0,014 mg/L	0,015 mg/L ± 10%	0,001 mg/L	93	93
Atrazina	0,003 mg/L	0,0094 mg/L	0,009 mg/L ± 10%	0,0005 mg/L	94,5	94,7
2,4 - D	0,07 mg/L	0,220 mg/L	0,210 mg/L ± 10%	0,028 mg/L	87,5	96,1

Parámetros de la prueba: pH = 7,5 ± 0,5 si no se indica lo contrario. Flujo = 0,5 gpm (1,9 Lpm). Presión = 60 lbs/pulg² (413,7 kPa). Temp. = 68°F a 71,6°F (20°C a 22°C). Capacidad nominal de servicio = 120 galones (455 litros).

- Es esencial que los requerimientos de operación, mantenimiento y reemplazo del filtro se lleven a cabo para que el producto se desempeñe tal como se ofrece en la publicidad.
- Use el filtro de repuesto P4RRWB/P4RFWB12, pieza N° W10295370. El precio sugerido de venta al por menor durante el año 2011 es de \$49,99 en EE.UU./\$59,99 en Canadá. Los precios están sujetos a cambio sin previo aviso.
- **Estilo 1** – Cuando la pantalla de estado del filtro de agua cambie de “GOOD” (Bueno) a “ORDER” (Pedir), pida un nuevo filtro. Cuando el indicador del filtro muestre “REPLACE” (Reemplazar), se recomienda que reemplace el filtro.
- **Estilo 2** – Cuando el indicador del filtro cambie de verde a amarillo, pida un nuevo filtro. Cuando el indicador cambie de amarillo a rojo, se recomienda que reemplace el filtro.
- **Estilo 3** – Cuando el indicador del filtro muestre 10%, pida un nuevo filtro. Cuando el indicador muestre 0%, se recomienda que reemplace el filtro.
- **Estilo 4** - Para los modelos sin despachador de agua, reemplace el filtro de agua desechable cada 6 meses. La luz de estado del filtro de agua le recordará cuando sea tiempo de cambiar el filtro de agua.
- Después de cambiar el filtro de agua, enjuague el sistema de agua. Solamente para obtener hielo con agua filtrada, haga y deseche tres recipientes llenos de hielo para preparar el filtro de agua para su uso.
- Estos contaminantes no se encuentran necesariamente en su suministro de agua. Si bien se realizaron las pruebas bajo condiciones de laboratorio estándares, el desempeño real puede variar.
- El producto es para uso con agua fría únicamente.
- El sistema de agua deberá instalarse conforme a las leyes y normas estatales y locales.
- No use con agua que no sea microbiológicamente segura o que sea de calidad desconocida sin desinfectarla adecuadamente antes o después del sistema. Pueden usarse sistemas certificados para la reducción de quistes en aguas desinfectadas que puedan contener quistes filtrables.
- Refiérase a la sección “Garantía” para obtener el nombre, dirección y número telefónico del fabricante.
- Refiérase a la sección “Garantía” para verificar la garantía limitada del fabricante.

Pautas de aplicación / Parámetros para el suministro de agua

Suministro de agua	Municipal o de pozo
Presión del agua	30 - 120 lbs/pulg ² (207 - 827 kPa)
Temperatura del agua	33° - 100°F (0,6° - 37,8°C)
Flujo nominal de servicio	0,5 gpm (1,9 Lpm) @ 60 lbs/pulg ²



*Tamaño de las partículas clase I: >0,5 a <1 um

**El requisito de prueba es de cuando menos 100.000 partículas/ml de Polvo Fino de prueba AC.

[†]Basado en la filtración de quistes de *Cryptosporidium parvum*

^{††}Fibras mayores de 10 um de longitud

GARANTÍA DE LOS ELECTRODOMÉSTICOS PRINCIPALES DE WHIRLPOOL CORPORATION

GARANTÍA LIMITADA

Durante un año a partir de la fecha de compra, siempre y cuando se dé a este electrodoméstico principal un uso y mantenimiento de conformidad con las instrucciones adjuntas o provistas con el producto, Whirlpool Corporation o Whirlpool Canada LP (en lo sucesivo denominado "Whirlpool"), se hará cargo del costo de las piezas especificadas de fábrica y del trabajo de reparación para corregir defectos en los materiales o en la mano de obra, existentes en el momento de la compra de este electrodoméstico principal. El servicio deberá ser suministrado por una compañía de servicio designada por Whirlpool. SU ÚNICO Y EXCLUSIVO RECURSO SEGÚN LOS TÉRMINOS DE ESTA GARANTÍA LIMITADA SERÁ EL DE REPARAR EL PRODUCTO SEGÚN SE ESTIPULA EN LA PRESENTE. Esta garantía limitada es válida solamente en Estados Unidos o en Canadá, y se aplica solamente cuando el electrodoméstico principal se use en el país en el que se ha comprado. Se requiere una prueba de la fecha de compra original para obtener servicio bajo esta garantía limitada.

EXCLUSIONES DE LA GARANTÍA

Esta garantía limitada no cubre:

1. Piezas de repuesto o mano de obra si este electrodoméstico principal se usa de un modo diferente al doméstico normal de una familia, o cuando se use de un modo contrario a las instrucciones publicadas para el usuario u operador y/o las instrucciones de instalación.
2. Visitas de servicio técnico para corregir la instalación de su electrodoméstico principal, para enseñarle a usar su electrodoméstico principal, para cambiar o reparar fusibles domésticos o para corregir la instalación eléctrica o de la tubería de la casa.
3. Visitas de servicio técnico para reparar o reemplazar focos para electrodomésticos, filtros de aire o filtros de agua. Las piezas de consumo están excluidas de la cobertura de la garantía.
4. Daños causados por accidente, alteración, uso indebido, abuso, incendio, inundación, actos fortuitos, instalación incorrecta, instalación que no esté de acuerdo con los códigos eléctricos o de plomería, o el empleo de productos no aprobados por Whirlpool.
5. Daños estéticos, incluyendo rayaduras, abolladuras, desportilladuras u otro daño al acabado de su electrodoméstico principal, a menos que el mismo sea debido a defectos en los materiales o la mano de obra y se le informe a Whirlpool en un lapso de 30 días a partir de la fecha de compra.
6. Cualquier pérdida de comida o medicamentos debido a fallas del refrigerador o del congelador.
7. Recogida y entrega. Este electrodoméstico principal se ha destinado para ser reparado en el hogar.
8. Reparaciones de piezas o sistemas como resultado de modificaciones no autorizadas que se hayan efectuado en el electrodoméstico.
9. Gastos de viaje y transporte para obtener servicio para el producto, si su electrodoméstico principal está ubicado en un lugar remoto en el cual no haya disponible un técnico de servicio autorizado por Whirlpool.
10. La remoción y reinstalación de su electrodoméstico principal, si estuviera instalado en un lugar inaccesible o si no estuviera instalado de conformidad con las instrucciones de instalación publicadas por Whirlpool.
11. Piezas de repuesto o mano de obra en electrodomésticos principales con números de modelo/serie originales que se hayan removido, alterado o que no puedan ser identificados con facilidad.
12. Decoloración, herrumbre u oxidación de las superficies de acero inoxidable.

EXCLUSIÓN DE GARANTÍAS IMPLÍCITAS

LAS GARANTÍAS IMPLÍCITAS, INCLUYENDO CUALQUIER GARANTÍA IMPLÍCITA DE COMERCIABILIDAD O GARANTÍA IMPLÍCITA DE CAPACIDAD PARA UN PROPÓSITO PARTICULAR, SERÁN LIMITADAS A UN AÑO O AL PERÍODO MÁS CORTO PERMITIDO POR LEY. Algunos estados y provincias no permiten la limitación de la duración de garantías implícitas de comerciabilidad o aptitud, de modo que la limitación arriba indicada quizás no le corresponda. Esta garantía le otorga derechos legales específicos, y es posible que usted tenga también otros derechos que varían de un estado a otro o de una provincia a otra.

LIMITACIÓN DE RECURSOS; EXCLUSIÓN DE DAÑOS INCIDENTALES O CONSECUENTES

SU ÚNICO Y EXCLUSIVO RECURSO SEGÚN LOS TÉRMINOS DE ESTA GARANTÍA LIMITADA SERÁ EL DE REPARAR EL PRODUCTO SEGÚN SE ESTIPULA EN LA PRESENTE. WHIRLPOOL NO SE RESPONSABILIZARÁ POR DAÑOS INCIDENTALES O CONSECUENTES. Algunos estados y provincias no permiten la exclusión o limitación de daños incidentales o consecuentes, de modo que estas limitaciones y exclusiones quizás no le correspondan. Esta garantía le otorga derechos legales específicos, y es posible que usted tenga también otros derechos que varían de un estado a otro o de una provincia a otra.

Si usted se encuentra fuera de los cincuenta Estados Unidos y Canadá, póngase en contacto con su distribuidor autorizado de Whirlpool para determinar si corresponde otra garantía.

3/09

Para obtener información adicional acerca de su producto, en EE.UU. visite **www.whirlpool.com**
En Canadá, visite **www.whirlpool.ca**

Si usted no tiene acceso a internet y necesita ayuda para usar su producto, o si quisiera hacer una cita para obtener servicio, puede ponerse en contacto con Whirlpool, en el número que se indica a continuación.

Tenga listo su número de modelo completo. Puede encontrar el número de modelo y de serie en la etiqueta ubicada en la pared interior del compartimiento del refrigerador.

Si necesita ayuda o servicio técnico, en EE.UU., llame al 1-800-253-1301. En Canadá, llame al 1-800-807-6777.

Si necesita asistencia adicional, puede escribir a Whirlpool con sus preguntas o dudas a la dirección que aparece a continuación:

En los EE.UU.:

Whirlpool Brand Home Appliances
Customer eXperience Center
553 Benson Road
Benton Harbor, MI 49022-2692

En Canadá:

Whirlpool Brand Home Appliances
Customer eXperience Centre
200 – 6750 Century Ave.
Mississauga, Ontario L5N 0B7

Por favor incluya en su correspondencia un número de teléfono en el que se le pueda localizar durante el día.

Sírvase guardar estas Instrucciones para el usuario y la información con el número de modelo, para referencia futura.



INSTRUCTIONS D'UTILISATION DU RÉFRIGÉRATEUR

Nous vous REMERCIONS d'avoir acheté ce produit de haute qualité. Si vous rencontrez un problème non mentionné dans la section DÉPANNAGE, veuillez visiter notre site Web www.whirlpool.com pour des informations supplémentaires. Si vous avez toujours besoin d'assistance, veuillez nous téléphoner au 1-800-253-1301. Au Canada, visitez notre site Web www.whirlpool.ca ou téléphonez-nous au 1-800-807-6777.

Vous aurez besoin de vos numéros de modèle et de série situés sur la paroi interne du compartiment de réfrigération.

SÉCURITÉ DU RÉFRIGÉRATEUR

Votre sécurité et celle des autres est très importante.

Nous donnons de nombreux messages de sécurité importants dans ce manuel et sur votre appareil ménager. Assurez-vous de toujours lire tous les messages de sécurité et de vous y conformer.



Voici le symbole d'alerte de sécurité.

Ce symbole d'alerte de sécurité vous signale les dangers potentiels de décès et de blessures graves à vous et à d'autres.

Tous les messages de sécurité suivront le symbole d'alerte de sécurité et le mot "DANGER" ou "AVERTISSEMENT". Ces mots signifient :

⚠ DANGER

Risque possible de décès ou de blessure grave si vous ne suivez pas immédiatement les instructions.

⚠ AVERTISSEMENT

Risque possible de décès ou de blessure grave si vous ne suivez pas les instructions.

Tous les messages de sécurité vous diront quel est le danger potentiel et vous disent comment réduire le risque de blessure et ce qui peut se produire en cas de non-respect des instructions.

IMPORTANTES INSTRUCTIONS DE SÉCURITÉ

AVERTISSEMENT : Pour réduire les risques d'incendie, de choc électrique ou des blessures lors de l'utilisation du réfrigérateur, prendre quelques précautions fondamentales, y compris les suivantes :

- Brancher l'appareil sur une prise à 3 alvéoles reliée à la terre.
- Ne pas enlever la broche de liaison à la terre.
- Ne pas utiliser un adaptateur.
- Ne pas utiliser un câble de rallonge.
- Débrancher la source de courant électrique avant l'entretien.
- Replacer pièces et panneaux avant de faire la remise en marche.
- Enlever les portes de votre vieux réfrigérateur.
- Utiliser un produit de nettoyage ininflammable.
- Garder les matériaux et les vapeurs inflammables, telle que l'essence, loin du réfrigérateur.
- Utiliser deux ou plus de personnes pour déplacer et installer le réfrigérateur.
- Débrancher le réfrigérateur avant l'installation de la machine à glaçons (seulement pour modèles prêts à recevoir une machine à glaçons).
- Utiliser un verre robuste pour prendre des glaçons (sur certains modèles).
- Ne pas heurter les portes en verre du réfrigérateur (sur certains modèles).

CONSERVEZ CES INSTRUCTIONS

Mise au rebut adéquate de votre vieux réfrigérateur

⚠ AVERTISSEMENT

Risque de suffoquer

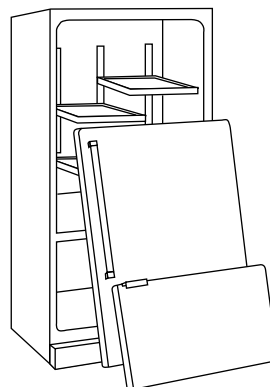
Enlever les portes de votre vieux réfrigérateur.

Le non-respect de cette instruction peut causer un décès ou des lésions cérébrales.

IMPORTANT : L'emprisonnement et l'étouffement des enfants ne sont pas un problème du passé. Les réfrigérateurs jetés ou abandonnés sont encore dangereux, même s'ils sont laissés abandonnés pendant "quelques jours seulement". Si vous vous débarrassez de votre vieux réfrigérateur, veuillez suivre les instructions suivantes pour aider à éviter les accidents.

Avant de jeter votre vieux réfrigérateur ou congélateur :

- Enlever les portes.
- Laisser les tablettes en place de sorte que les enfants ne puissent pas y pénétrer facilement.



Renseignements importants à propos de la mise au rebut des fluides réfrigérants :

Mettre le réfrigérateur au rebut conformément à la réglementation fédérale et locale. Les fluides réfrigérants doivent être évacués par un technicien certifié et agréé par l'EPA conformément aux procédures établies.

INSTRUCTIONS D'INSTALLATION

Déballage du réfrigérateur

⚠ AVERTISSEMENT

Risque du poids excessif

Utiliser deux ou plus de personnes pour déplacer et installer le réfrigérateur.

Le non-respect de cette instruction peut causer une blessure au dos ou d'autre blessure.

Déplacement de votre réfrigérateur :

Votre réfrigérateur est lourd. Lors du déplacement de votre réfrigérateur pour le nettoyage ou un entretien ou réparation, veiller à recouvrir le plancher avec du carton ou un panneau de fibres dures pour éviter qu'il ne subisse tout dommage. Toujours tirer le réfrigérateur tout droit lors de son déplacement. Ne pas incliner le réfrigérateur d'un côté ou de l'autre ni le "faire marcher" en essayant de le déplacer car le plancher pourrait être endommagé.

Enlèvement des matériaux d'emballage

- Enlever tout résidu de ruban adhésif et de colle des surfaces du réfrigérateur avant de le mettre en marche. Frotter une petite quantité de savon liquide pour la vaisselle sur l'adhésif avec les doigts. Rincer à l'eau tiède et essuyer.
- Ne pas utiliser d'instruments coupants, d'alcool à friction, de liquides inflammables ou de nettoyants abrasifs pour enlever le ruban adhésif ou la colle. Ces produits peuvent endommager la surface de votre réfrigérateur. Pour plus de renseignements, voir "Sécurité du réfrigérateur".
- Jeter ou recycler tous les matériaux d'emballage.

Nettoyage avant l'utilisation

Après avoir enlevé tous les matériaux d'emballage, nettoyer l'intérieur du réfrigérateur avant de l'utiliser. Voir les instructions de nettoyage dans "Entretien du réfrigérateur".

Importants renseignements à savoir au sujet des tablettes et des couvercles en verre :

Ne pas nettoyer les tablettes ou couvercles en verre avec de l'eau tiède quand ils sont froids. Les tablettes et les couvercles peuvent se briser s'ils sont exposés à des changements soudains de température ou à un impact tel que coup brusque. Le verre trempé est conçu pour éclater en d'innombrables pièces minuscules. Ceci est normal. Les tablettes et les couvercles en verre sont lourds. Les saisir à deux mains lors de leur dépose afin d'éviter de les faire tomber.

Exigences d'emplacement

⚠ AVERTISSEMENT



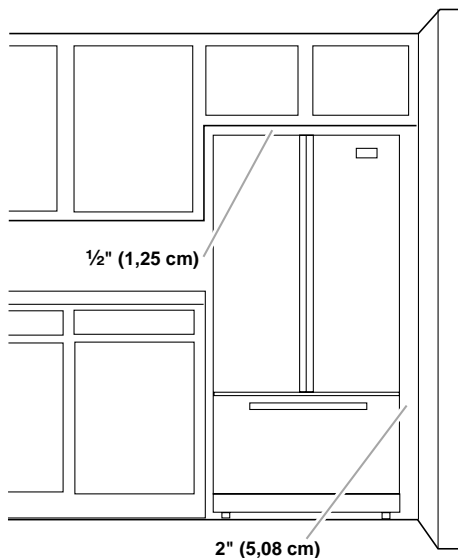
Risque d'explosion

Garder les matériaux et les vapeurs inflammables, telle que l'essence, loin du réfrigérateur.

Le non-respect de cette instruction peut causer un décès, une explosion ou un incendie.

Pour assurer une ventilation convenable à votre réfrigérateur, laisser un espace de ½" (1,25 cm) au-dessus et de chaque côté du réfrigérateur. Laisser un espace de 1" (2,54 cm) derrière le réfrigérateur. Si votre réfrigérateur comporte une machine à glaçons, s'assurer qu'un espace additionnel est prévu à l'arrière pour permettre les connexions des conduites d'eau. En cas d'installation du réfrigérateur près d'un mur fixe, laisser un minimum de 2" (5,08 cm) entre le réfrigérateur et le mur pour permettre l'ouverture de la porte.

REMARQUE : Ce réfrigérateur est conçu pour être utilisé dans un endroit où la température est comprise entre un minimum de 55°F (13°C) et un maximum de 110°F (43°C). La plage de température ambiante idéale pour une performance optimale est comprise entre 60°F (15°C) et 90°F (32°C). Respecter cette plage de température permet aussi de réduire la consommation d'électricité et d'optimiser l'efficacité du refroidissement. Il est recommandé de ne pas installer le réfrigérateur près d'une quelconque source de chaleur, tel un four ou un radiateur.



Retrait et réinstallation des portes du réfrigérateur et de l'avant du tiroir

En fonction de la largeur de l'ouverture de la porte, il faudra peut-être retirer les portes du réfrigérateur pour pouvoir introduire le réfrigérateur dans le domicile.

Démontage – Portes et charnières

IMPORTANT :

- Si le réfrigérateur était déjà installé et que vous souhaitez le déplacer hors de votre domicile, effectuer d'abord les opérations suivantes : tourner la commande du réfrigérateur sur OFF (arrêt) et débrancher le réfrigérateur ou déconnecter la source de courant électrique. Retirer les aliments et tout balconnet réglable ou compartiment utilitaire des portes du réfrigérateur.
- Laisser les portes du réfrigérateur fermées jusqu'à ce vous soyez prêt à les détacher de la caisse. Prévoir un support supplémentaire pour la porte du réfrigérateur pendant le retrait des charnières. La force d'attraction des aimants de la porte ne suffit pas à la maintenir en place pendant la manutention.
- Toutes les illustrations mentionnées dans les instructions suivantes sont incluses plus loin dans cette section après "Étapes finales".

OUTILLAGE REQUIS : Clés à douille à tête hexagonale de 5/16", 3/8", et 1/4", Tournevis Torx® T25, tournevis Phillips n° 2, et un tournevis à lame plate.

Démontage – Portes et charnières

1. Débrancher le réfrigérateur ou déconnecter la source de courant électrique.
2. Retirer la grille de la base. Saisir la grille fermement et la tirer vers soi.
3. En commençant par la porte du côté droit, ôter les pièces de la charnière supérieure – voir l'illustration de la charnière supérieure. Soulever la porte du réfrigérateur de l'axe de la charnière inférieure.
4. Ôter le bouchon d'obturation d'axe de charnière de l'axe de la charnière inférieure et le conserver pour utilisation ultérieure. Voir l'illustration de la charnière inférieure.
5. Enlever le bouchon d'obturation de la charnière supérieure sur le côté gauche de la porte du réfrigérateur. Enlever les pièces de la charnière supérieure tel qu'indiqué à l'illustration de la charnière supérieure.

Modèles avec distributeur externe uniquement :

- Déconnecter la fiche de câblage située sous la charnière supérieure de la porte de gauche en insérant un tournevis à lame plate ou votre ongle entre les deux sections. Voir l'illustration de la fiche de câblage.
 - Déconnecter la canalisation d'eau située sous la charnière supérieure de la porte de gauche en tirant le collet de blocage vers l'arrière tout en tirant sur la canalisation pour la dégager du conduit de raccordement. Voir le schéma Raccord de tube du distributeur d'eau.
6. Soulever la porte du côté gauche de l'axe de la charnière inférieure.

REMARQUE : Sur certains modèles, retirer le bouchon d'obturation d'axe de charnière de l'axe de la charnière inférieure et le conserver pour utilisation ultérieure. Voir l'illustration de la charnière inférieure.

Réinstallation – Portes et charnières

1. Réinstaller les pièces pour la charnière inférieure tel qu'indiqué sur l'illustration de la charnière inférieure. Resserrer les vis. Replacer la porte du réfrigérateur.

REMARQUE : Prévoir un support supplémentaire de la porte du réfrigérateur pendant le déplacement des charnières. La force d'attraction des aimants de la porte ne suffit pas à la maintenir en place pendant la manutention.

2. Assembler les pièces des charnières supérieures tel qu'indiqué à l'illustration de la charnière supérieure. Ne pas complètement serrer les vis.

Modèles avec distributeur externe uniquement :

- Reconnecter la fiche de câblage sur la partie supérieure de la porte du côté gauche du réfrigérateur.
 - Reconnecter la canalisation d'eau en tirant l'anneau du collet de blocage vers l'arrière tout en enfonçant fermement la canalisation d'eau dans le conduit de raccordement. Vérifier qu'il n'y a pas de fuites.
3. Aligner la porte de façon à ce que le bas des portes du réfrigérateur soit bien aligné avec le sommet du tiroir de congélation. Serrer toutes les vis.
 4. Réinstaller les couvercles de la charnière supérieure.

Retrait et réinstallation de l'avant du tiroir de congélation

IMPORTANT : Il faudra peut-être deux personnes pour déplacer et réinstaller le tiroir de congélation. Les illustrations sont incluses plus loin dans cette section.

Retrait de l'avant du tiroir

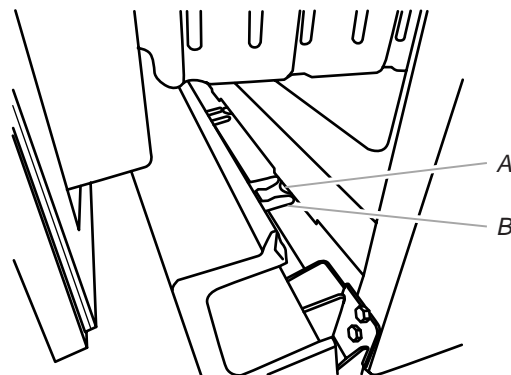
1. Ouvrir le tiroir du congélateur complètement.
2. Desserrer les quatre vis fixant les glissières de tiroir à l'avant du tiroir. Voir l'illustration du retrait de l'avant du tiroir.
REMARQUE : Desserrer les vis de trois à quatre tours. Garder les vis dans l'avant du tiroir.
3. Soulever l'avant du tiroir vers le haut et le dégager des vis. Voir l'illustration du retrait de l'avant du tiroir.
4. Le système de nivellement/roulettes du réfrigérateur dépasse de chaque côté de la base de la caisse. Retirer les trois vis fixant chaque système de nivellement et retirer les pièces de nivellement. Voir l'illustration du système de nivellement/roulettes.

Réinstallation de l'avant du tiroir

1. Aligner le système de nivellement/roulettes avec les trous situés de chaque côté de la caisse du réfrigérateur. À l'aide des vis retirées, réinstaller les pièces de nivellement à la base de la caisse. Serrer complètement les vis.
2. Retirer les glissières de tiroir du compartiment de congélation en les faisant glisser. Insérer les vis du sommet de l'avant du tiroir dans les fentes des supports du tiroir. Voir l'illustration de réinstallation de l'avant du tiroir.
3. Tirer les supports de tiroir vers soi pour positionner les deux vis du fond de l'avant du tiroir dans les supports et serrer complètement les quatre vis. Voir l'illustration de réinstallation de l'avant du tiroir.

4. Réinstaller la grille de la base.

- Ouvrir le tiroir du congélateur.
- Aligner les trois attaches à l'arrière de la grille de la base avec les trois onglets à la base du réfrigérateur.
- Pousser la grille vers le réfrigérateur jusqu'à ce qu'elle soit bien installée.



A. Onglet
B. Attache

Étapes finales

⚠ AVERTISSEMENT



Risque de choc électrique

Brancher sur une prise à 3 alvéoles reliée à la terre.

Ne pas enlever la broche de liaison à la terre.

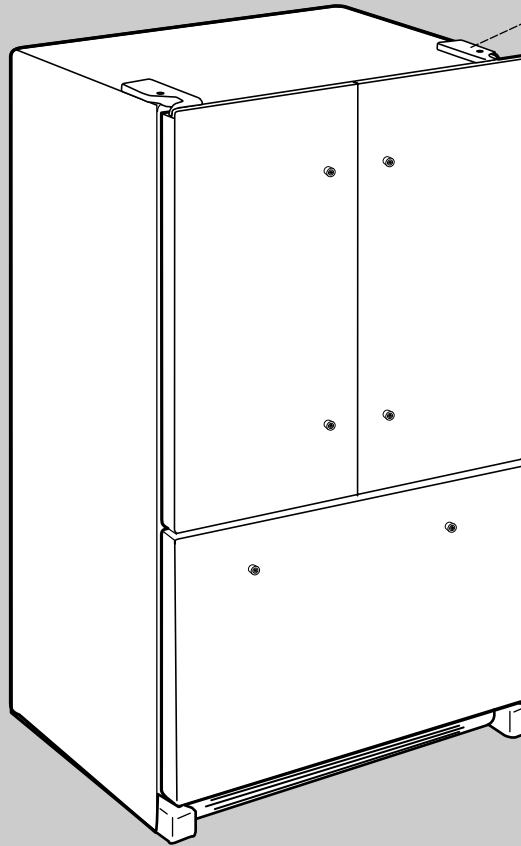
Ne pas utiliser un adaptateur.

Ne pas utiliser un câble de rallonge.

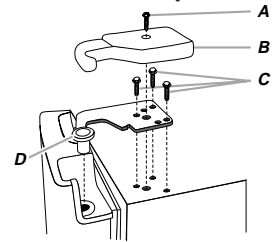
Le non-respect de ces instructions peut causer un décès, un incendie ou un choc électrique.

1. Brancher l'appareil sur une prise à 3 alvéoles reliée à la terre.
2. Réinstaller toutes les pièces amovibles dans les portes et le tiroir et remettre les aliments dans le réfrigérateur et le congélateur.

Enlèvement et réinstallation de la porte

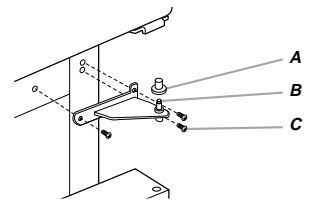


Charnières supérieures



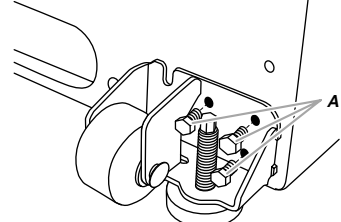
- A. Vis du cache de la charnière
- B. Cache de la charnière supérieure
- C. Vis de charnière à tête hexagonale de $\frac{5}{16}$ "
- D. Charnière supérieure

Charnières inférieures



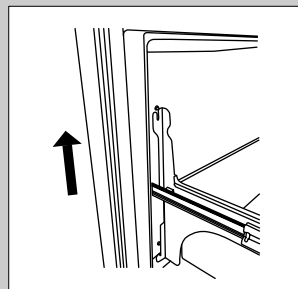
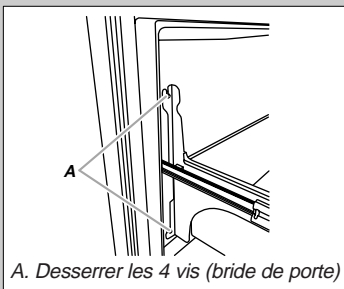
- A. Couvercle de l'axe de la charnière
- B. Charnière inférieure
- C. Vis de charnière

Le système de nivellement/roulettes

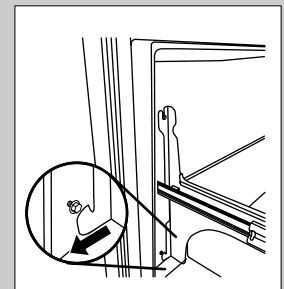
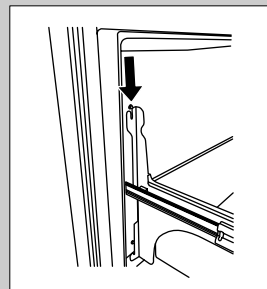


- A. Vis de système

Dépose de la façade du tiroir

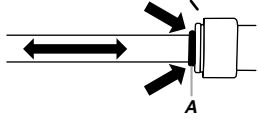
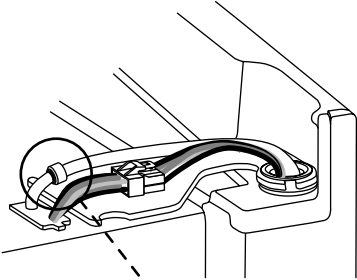


Réinstallation de la façade du tiroir



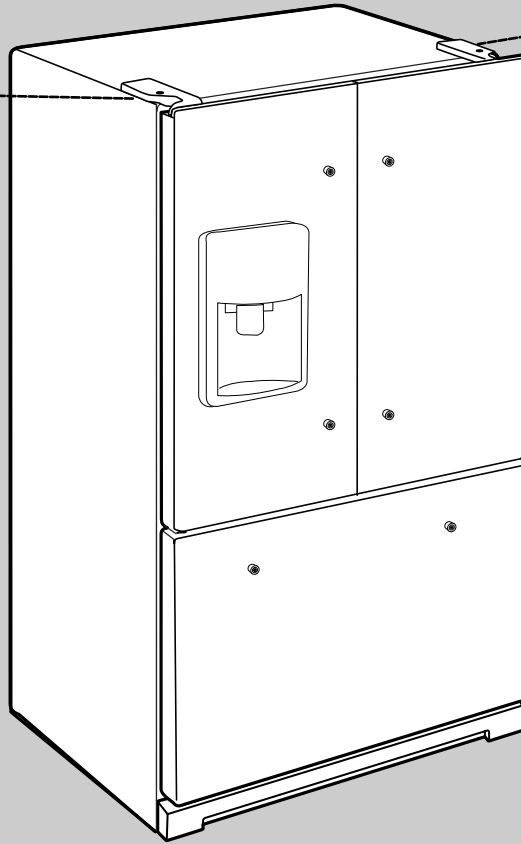
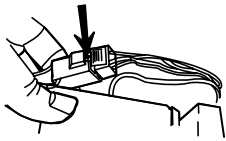
Enlèvement et réinstallation de la porte

Raccord de tube du distributeur d'eau

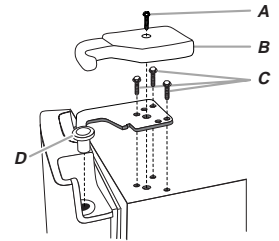


A. Bague bleue externe

Fiche de branchement

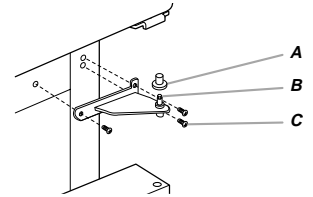


Charnières supérieures



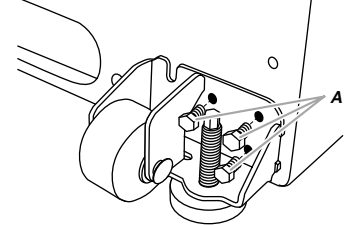
- A. Vis du cache de la charnière
- B. Cache de la charnière supérieure
- C. Vis de charnière à tête hexagonale de 5/16"
- D. Charnière supérieure

Charnières inférieures



- A. Couvercle de l'axe de la charnière
- B. Charnière inférieure
- C. Vis de charnière

Le système de nivellement/roulettes



A. Vis de système

Spécifications électriques

⚠ AVERTISSEMENT



Risque de choc électrique

Brancher sur une prise à 3 alvéoles reliée à la terre.

Ne pas enlever la broche de liaison à la terre.

Ne pas utiliser un adaptateur.

Ne pas utiliser un câble de rallonge.

Le non-respect de ces instructions peut causer un décès, un incendie ou un choc électrique.

Avant de placer le réfrigérateur à son emplacement final, il est important de vous assurer d'avoir la connexion électrique appropriée.

Méthode recommandée de mise à la terre

Une source d'alimentation de 115 volts, 60 Hz, type 15 ou 20 ampères CA seulement, protégée par fusibles et adéquatement mise à la terre est nécessaire. Il est recommandé d'utiliser un circuit distinct pour alimenter uniquement votre réfrigérateur. Utiliser une prise murale qui ne peut pas être mise hors circuit à l'aide d'un commutateur. Ne pas utiliser de câble de rallonge.

REMARQUE : Avant d'exécuter tout type d'installation, nettoyage ou remplacement d'une ampoule d'éclairage, désactiver le refroidissement (mettre la commande Cooling (refroidissement) en position OFF [arrêt]), et déconnecter ensuite le réfrigérateur de la source d'alimentation électrique. Lorsque vous avez terminé, reconnecter le réfrigérateur à la source d'alimentation électrique et réactiver le refroidissement (mettre la commande Cooling en position ON [marche]). Voir "Utilisation des commandes".

Spécifications de l'alimentation en eau

Une alimentation en eau froide avec une pression comprise entre 30 et 120 lb/po² (207 et 827 kPa) est nécessaire pour faire fonctionner le distributeur d'eau et la machine à glaçons. Si vous avez des questions au sujet de la pression de votre eau, faire appel à un plombier qualifié agréé.

Alimentation en eau par osmose inverse

IMPORTANT : La pression de l'alimentation en eau sortant du système d'osmose inverse et entrant dans le robinet d'arrivée d'eau du réfrigérateur doit être comprise entre 30 et 120 lb/po² (207 et 827 kPa).

Si un système de filtration de l'eau par osmose inverse est raccordé à votre alimentation en eau froide, la pression de l'eau au système d'osmose inverse doit être d'un minimum de 40 à 60 lb/po² (276 à 414 kPa).

Si la pression de l'eau au système d'osmose inverse est inférieure à 40 à 60 lb/po² (276 à 414 kPa) :

- Vérifier si le filtre à sédiment dans le système à osmose inverse n'est pas obstrué. Remplacer le filtre si nécessaire.
- Laisser le réservoir du système d'osmose inverse se remplir après une utilisation intense. La capacité du réservoir est peut-être trop faible pour répondre aux spécifications du réfrigérateur.
- Si votre réfrigérateur comporte un filtre à eau, celui-ci peut réduire la pression de l'eau lorsqu'il est utilisé avec un système d'osmose inverse. Enlever le filtre à eau. Voir "Système de filtration de l'eau".

Si vous avez des questions au sujet de la pression de votre eau, faire appel à un plombier qualifié agréé.

Raccordement à l'alimentation en eau

Lire toutes les instructions avant de commencer.

IMPORTANT :

- Toutes les installations doivent être conformes aux exigences des codes locaux de plomberie.
- Utiliser un tuyau en cuivre ou une conduite d'alimentation Whirlpool, pièce numéro 8212547RP, et vérifier l'absence de fuites.
- Installer seulement des tuyaux en cuivre là où les températures resteront au-dessus du point de congélation.

OUTILLAGE REQUIS :

Rassembler les outils et pièces nécessaires avant d'entreprendre l'installation. Lire et observer les instructions fournies avec chacun des outils de la liste ci-dessous.

- Tournevis à lame plate
- Tourne-écrou de ¼"
- Clés plates ou deux clés à molette de ⅞" et ½"
- Foret de ¼"
- Perceuse sans fil

REMARQUE : Votre marchand de réfrigérateurs dispose d'une trousse disponible avec un robinet d'arrêt à étrier de ¼" (6,35 mm), un raccord et un tube en cuivre. Avant de faire un achat, s'assurer que le robinet d'arrêt à étrier est conforme aux codes locaux de plomberie. Ne pas employer de robinet d'arrêt à étrier de ⅜" (4,76 mm) ou de type à percer - ils réduisent le débit d'eau et s'obstruent plus facilement.

Raccordement à la canalisation d'eau

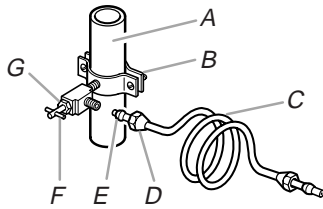
Style 1

1. Débrancher le réfrigérateur ou déconnecter la source de courant électrique.
2. FERMER le robinet principal d'alimentation en eau. OUVRIRE le robinet le plus proche pendant une période suffisante pour purger toute l'eau de la canalisation.
3. Identifier une canalisation d'eau froide verticale de ½" à 1¼" (1,25 cm à 3,18 cm) à proximité du réfrigérateur.

IMPORTANT :

- Vérifier qu'il s'agit d'une canalisation d'eau froide.
 - On peut aussi utiliser une canalisation horizontale; dans ce cas, on devra percer sur la face supérieure du tuyau et non pas au-dessous. Ceci permet de tenir la perceuse à l'écart de l'eau et d'empêcher les sédiments qu'on trouve normalement dans l'eau de s'accumuler dans le robinet d'arrêt.
4. Déterminer la longueur de tube de cuivre à utiliser. Mesurer depuis le point de connexion (angle inférieur arrière gauche du réfrigérateur) et la canalisation d'eau. Ajouter 7 pi (2,1 m) pour permettre les opérations de nettoyage. Utiliser un tube en cuivre de ¼" (6,35 mm) de diamètre extérieur. Veiller à ce que le tube soit coupé d'équerre aux deux extrémités.

5. À l'aide d'une perceuse électrique sans fil, percer un trou de $\frac{1}{4}$ " (6,35 mm) dans la canalisation d'eau froide choisie.



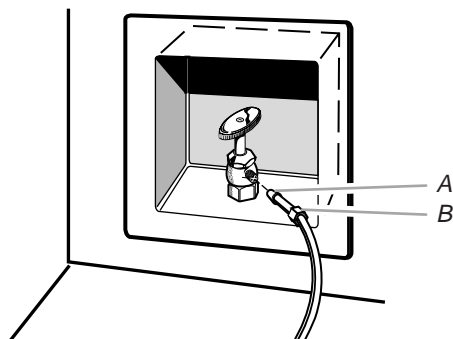
A. Canalisation d'eau froide
B. Bride de tuyau
C. Tube en cuivre
D. Écrou de compression
E. Bague de compression
F. Robinet d'arrêt
G. Écrou de serrage

6. Fixer le robinet d'arrêt sur la canalisation d'eau froide avec la bride de tuyau. Vérifier que l'extrémité du raccord du robinet est bien engagée dans le trou de $\frac{1}{4}$ " (6,35 mm) percé dans la canalisation et que la rondelle d'étanchéité se trouve sous la bride du tuyau. Serrer l'écrou de serrage. Serrer lentement et uniformément les vis fixant la bride de tuyau sur le tuyau afin d'assurer l'étanchéité du joint. Ne pas serrer excessivement car ceci pourrait provoquer l'écrasement du tube en cuivre.
7. Enfiler la bague et l'écrou de compression sur le tube en cuivre tel qu'illustré. Insérer l'extrémité du tube directement dans l'extrémité de sortie, aussi loin que possible. Visser l'écrou de compression sur l'extrémité de sortie du raccord à l'aide d'une clé à molette. Ne pas serrer excessivement.
8. Placer le bout libre du tube dans un contenant ou évier et OUVRIER le robinet principal d'alimentation en eau. Laisser l'eau s'écouler par le tube jusqu'à ce qu'elle soit limpide. FERMER le robinet principal d'alimentation en eau. Laver le tube de cuivre.

Style 2

- Débrancher le réfrigérateur ou déconnecter la source de courant électrique.
- Retirer et jeter le bouchon en nylon noir du tuyau d'eau gris à l'arrière du réfrigérateur.
- Visser l'écrou fourni sur le robinet d'eau tel qu'illustré.

REMARQUE : Serrer l'écrou manuellement. Ensuite le serrer deux tours de plus avec une clé. Ne pas serrer excessivement.



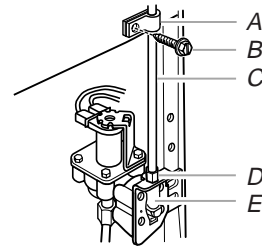
A. Renflement
B. Écrou (fourni)

- OUVRIR le robinet d'arrêt.
- Vérifier qu'il n'y a pas de fuites. Serrer tous les raccords (y compris les raccords du robinet) ou les écrous qui présentent des fuites.

Raccordement au réfrigérateur

Style 1

- Débrancher le réfrigérateur ou déconnecter la source de courant électrique.
- Raccorder le tube de cuivre au robinet d'arrivée d'eau à l'aide d'un écrou et d'une bague de compression, tel qu'illustré. Serrer l'écrou de compression. Ne pas serrer excessivement.
- Utiliser la bride du tube à l'arrière du réfrigérateur pour fixer le tube au réfrigérateur tel qu'illustré. Ceci aide à éviter d'endommager le tube lorsque le réfrigérateur est poussé contre le mur.
- OUVRIR le robinet d'arrêt.
- Vérifier qu'il n'y a pas de fuites. Serrer tous les raccords (y compris les raccords du robinet) ou les écrous qui présentent des fuites.



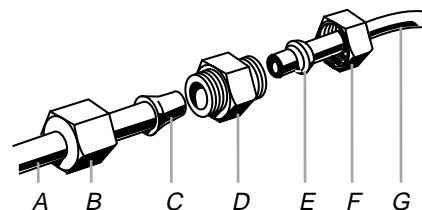
A. Bride de tube
B. Vis de bride de tuyau
C. Tube en cuivre
D. Écrou de compression
E. Orifice d'arrivée d'eau

6. Sur les modèles qui en sont équipés, la machine à glaçons comporte un filtre à eau incorporé. Si les caractéristiques de l'eau requièrent un second filtre à eau, installer celui-ci dans la canalisation d'eau de $\frac{1}{4}$ " (6,35 mm) à l'une ou l'autre des extrémités du tube. Se procurer un filtre à eau auprès de votre marchand d'appareils ménagers le plus proche.

Style 2

- Débrancher le réfrigérateur ou déconnecter la source de courant électrique.
- Retirer et jeter le bouchon en nylon noir du tuyau d'eau gris à l'arrière du réfrigérateur.
- Si le tuyau d'eau gris fourni avec le réfrigérateur n'est pas assez long, un raccord de $\frac{1}{4}$ " x $\frac{1}{4}$ " (6,35 mm x 6,35 mm) est nécessaire pour raccorder le tuyau à la canalisation d'eau du domicile. Enfiler l'écrou fourni sur le raccord à l'extrémité du tube de cuivre.

REMARQUE : Serrer l'écrou manuellement. Ensuite le serrer deux tours de plus avec une clé. Ne pas serrer excessivement.



A. Tuyau d'eau du réfrigérateur
B. Écrou (fourni)
C. Renflement
D. Raccord (fourni)
E. Virole (à acheter)
F. Écrou (à acheter)
G. Canalisation du domicile

- OUVRIR le robinet d'arrêt.
- Vérifier qu'il n'y a pas de fuites. Serrer tous les raccords (y compris les raccords du robinet) ou les écrous qui présentent des fuites.

Achever l'installation

⚠ AVERTISSEMENT



Risque de choc électrique

Brancher sur une prise à 3 alvéoles reliée à la terre.

Ne pas enlever la broche de liaison à la terre.

Ne pas utiliser un adaptateur.

Ne pas utiliser un câble de rallonge.

Le non-respect de ces instructions peut causer un décès, un incendie ou un choc électrique.

1. Brancher la fiche sur une prise de courant à 3 alvéoles, reliée à la terre..

REMARQUES :

- Prévoir un délai de 24 heures pour la production du premier lot de glaçons. Jeter les trois premiers lots de glaçons produits. Prévoir un délai de 3 jours pour le remplissage complet du récipient à glaçons.
- Pour les modèles dotés d'un distributeur d'eau, purger le système de distribution d'eau. Voir "Distributeur d'eau".

Installation et démontage des poignées

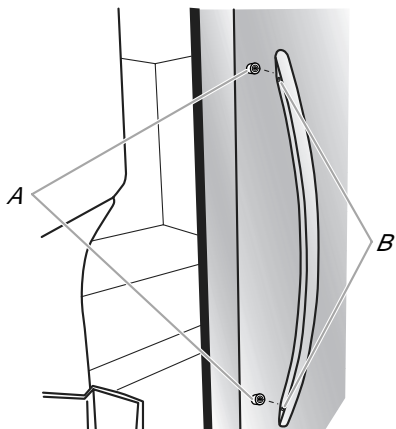
Pièces fournies : Poignées de porte du réfrigérateur (2), poignée du tiroir du congélateur (1)

Outils requis : Clé à tête hexagonale de 1/8".

Installation des poignées de porte

REMARQUE : Les vis de blocage des poignées sont préinstallées dans les poignées.

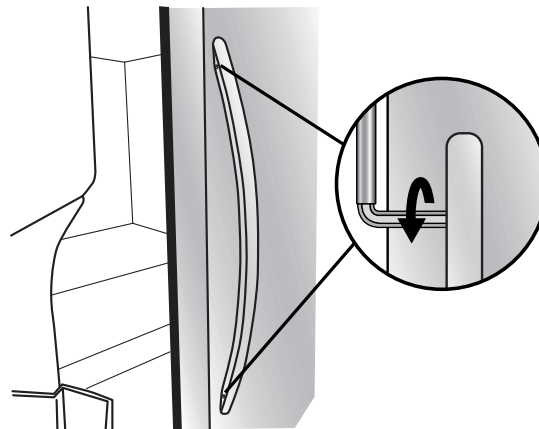
1. Retirer les poignées de l'emballage à l'intérieur du réfrigérateur.
2. Ouvrir une porte du réfrigérateur. Sur la porte opposée, placer la poignée sur les vis à épaulement, les vis de blocage étant du côté de la porte adjacente.



A. Vis à épaulement
B. Vis de blocage dans la poignée

3. Pousser fermement la poignée vers la porte jusqu'à mettre en contact sa surface d'appui avec la porte.

4. Tout en maintenant la poignée, introduire le côté court de la clé à tête hexagonale dans le trou supérieur, puis tourner légèrement la clé à tête hexagonale pour l'engager dans la vis de blocage.



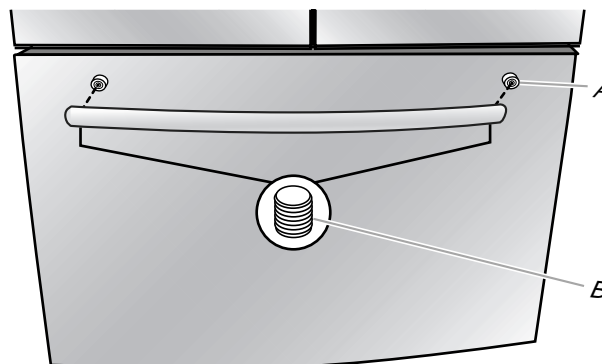
5. En tournant dans le sens horaire, serrer la vis de blocage.
6. Répéter les étapes 4 et 5 pour fixer la vis de blocage inférieure.

IMPORTANT : Lorsque les vis sont serrées, les serrer d'un quart de tour supplémentaire. Sans ce serrage supplémentaire, la poignée ne sera pas correctement installée.

7. Répéter les étapes 2 à 6 pour installer l'autre poignée sur la porte adjacente du réfrigérateur.

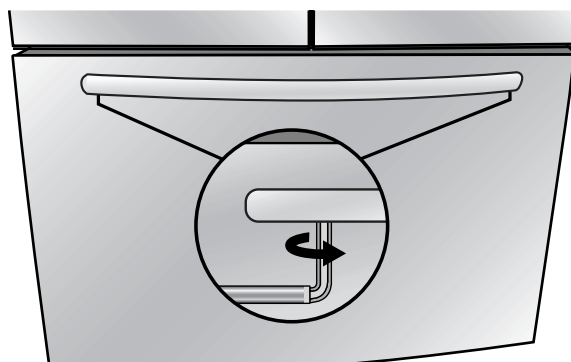
Installation de la poignée de tiroir

1. Le tiroir du congélateur étant fermé, placer la poignée sur les vis à épaulement, avec les vis de blocage orientées vers le sol.



A. Vis à épaulement
B. Vis de blocage dans la poignée

2. Pousser fermement la poignée vers le tiroir jusqu'à mettre en contact sa surface d'appui avec le tiroir.
3. Introduire le côté court de la clé à tête hexagonale dans le trou gauche, puis tourner légèrement la clé à tête hexagonale pour l'engager dans la vis de blocage.



4. En tournant la clé de gauche à droite, serrer la vis de blocage d'un quart de tour à la fois. Répéter l'opération jusqu'à ce que la vis soit serrée.
5. Répéter les étapes 3 et 4 pour fixer la vis de blocage à la vis à épaulement.
IMPORTANT : Lorsque les vis sont serrées, les serrer d'un quart de tour supplémentaire. Sans ce serrage supplémentaire, la poignée ne sera pas correctement installée.
6. Conserver la clé à tête hexagonale et toutes les instructions.

Démontage des poignées

1. Tout en maintenant la poignée, introduire le côté court de la clé à tête hexagonale dans le trou d'une vis de blocage, puis tourner légèrement la clé à tête hexagonale pour l'engager dans la vis de blocage.
2. En tournant la clé de droite à gauche, desserrer la vis de blocage d'un quart de tour à la fois.
3. Répéter les étapes 1 et 2 pour l'autre vis de blocage. Tirer doucement la poignée pour la retirer de la porte ou du tiroir.
4. Si nécessaire, retirer les vis à épaulement de la porte avec un tournevis Phillips.

Fermeture et alignement de la porte

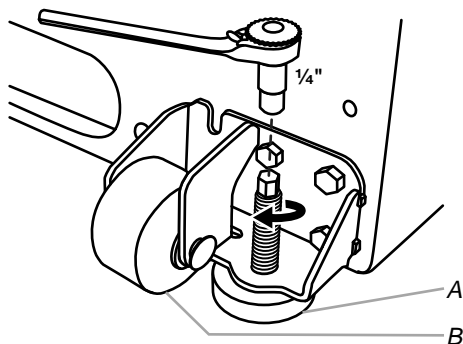
IMPORTANT : Afin de rester en conformité avec les directives du American Disabilities Act (ADA), rétracter complètement les roulettes à l'intérieur de la caisse du réfrigérateur pour abaisser le réfrigérateur.

Fermeture de la porte

La grille de la base recouvre les vis de nivellement et les roulettes situées sous la caisse du réfrigérateur, sous le tiroir du compartiment de congélation. Avant de réaliser les ajustements, retirer la grille de la base et déplacer le réfrigérateur à son emplacement définitif.

1. Retirer la grille de la base. Saisir la grille fermement et la tirer vers soi.
2. Déplacer le réfrigérateur jusqu'à sa position de service finale.
REMARQUE : Afin que le réfrigérateur puisse rouler plus facilement, soulever les pieds de nivellement en tournant les vis de nivellement dans le sens antihoraire. Les roulettes avant toucheront le plancher.
3. Afin que les portes ferment plus facilement, utiliser un tourne-écrou à tête hexagonale de 1/4" pour tourner les vis de nivellement dans le sens horaire. Ce réglage soulèvera légèrement l'avant du réfrigérateur et l'inclinera ainsi légèrement sur sa partie arrière. Régler les deux vis de nivellement à la même hauteur.

REMARQUE : Le fait d'exercer une pression sur le dessus du réfrigérateur permet d'alléger le poids appliqué aux vis de nivellement. Ceci facilite le réglage des vis.

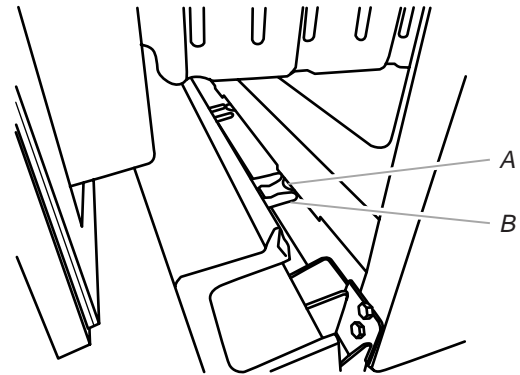


A. Vis de nivellement
B. Roulette avant

4. Ouvrir à nouveau les deux portes et vérifier que leur fermeture est aussi aisée que désiré. Si ce n'est pas le cas, incliner le réfrigérateur un peu plus vers l'arrière en tournant les deux vis de nivellement vers la droite. Cela peut nécessiter plusieurs tours supplémentaires.

REMARQUE : Pour que le réfrigérateur reste d'aplomb, il faut appliquer le même nombre de tours aux deux vis de nivellement.

5. Réinstaller la grille de la base.
 - Ouvrir le tiroir du congélateur.
 - Aligner les trois attaches à l'arrière de la grille de la base avec les trois onglets à la base du réfrigérateur.
 - Pousser la grille de la base vers le réfrigérateur jusqu'à ce qu'elle soit bien installée.



A. Onglet
B. Attache

Alignement des portes

Si l'espace entre les portes du réfrigérateur et le tiroir de congélation semble inégal, on peut l'ajuster en suivant les instructions suivantes :

1. Ôter le couvre-charnière supérieur.
2. Desserrer les vis de la charnière supérieure en utilisant une douille de 5/16" ou une clé à molette.
3. Demander à une personne de tenir la porte en place ou placer un espaceur entre les portes et le tiroir.
4. Serrer les vis de la charnière supérieure une fois que la porte est en place à l'emplacement souhaité.
5. Réinstaller le couvre-charnière supérieur.

FILTRES ET ACCESSOIRES

Système de filtration de l'eau

Ne pas utiliser pour le filtrage d'une eau microbiologiquement polluée ou de qualité inconnue en l'absence d'un dispositif de désinfection adéquat avant ou après le système. Les systèmes certifiés pour la réduction de kyste peuvent être utilisés pour l'eau désinfectée qui peut contenir des kystes filtrables.

Témoin lumineux de l'état du filtre à eau

Le témoin lumineux du filtre à eau vous aidera à savoir quand changer le filtre à eau.

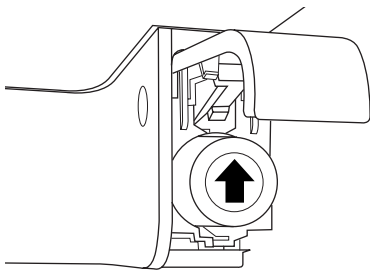
- GOOD (bon) - L'icône du filtre à eau sur le tableau de commande s'allume en BLEU.

- ORDER a remplacement (commander un filtre de rechange) - L'icône du filtre à eau sur le tableau de commande s'allume en JAUNE.
- REPLACE the water filter (remplacer le filtre à eau) - L'icône du filtre à eau sur le tableau de commande s'allume en ROUGE et "Replace Filter" (remplacer filtre) apparaît.
- EXPIRED (usé) - L'icône du filtre à eau s'allume en ROUGE et "Replace Filter" (remplacer le filtre) clignote sur l'affichage.

REMARQUE : Si le débit d'eau au distributeur d'eau ou à la machine à glaçons diminue de façon marquée, remplacer le filtre plus tôt. Le filtre doit être remplacé au moins tous les 6 mois selon la qualité de l'eau et la fréquence d'utilisation.

- Après avoir changé le filtre à eau, réinitialiser le statut du témoin. Appuyer sur le bouton WATER FILTER (filtre à eau) pendant 3 secondes. Lorsque l'on réinitialise le système, l'icône du filtre à eau reprend sa couleur BLEUE et les mots "Replace Filter" (remplacer le filtre) disparaissent de l'affichage.

Remplacement du filtre à eau



1. Repérer le filtre à eau situé dans le coin supérieur droit du compartiment de réfrigération.
2. Ouvrir la porte du couvercle du filtre en la soulevant. Le filtre doit être libéré puis éjecté lorsqu'on ouvre la porte.
3. Une fois la porte complètement ouverte, retirer le filtre en le tirant en ligne droite.

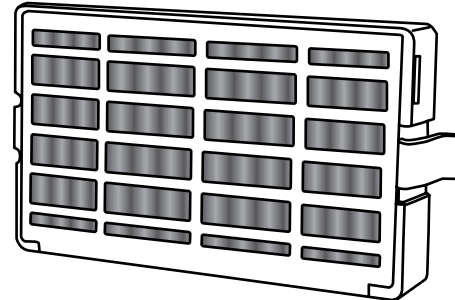
REMARQUE : Il y aura peut-être de l'eau dans le filtre. Il est possible que de l'eau se renverse. Utiliser une serviette pour essuyer tout renversement.
4. Retirer le filtre neuf de son emballage, puis retirer les protections des anneaux d'étanchéité. S'assurer que les anneaux d'étanchéité sont toujours en place une fois que les couvercles sont retirés.
5. Avec la flèche orientée vers le haut, aligner le filtre neuf avec le logement du filtre et le faire glisser pour le mettre en place. La porte du couvercle du filtre entame un mouvement automatique de fermeture à mesure que l'on insère le filtre neuf.
6. Fermer complètement le couvercle du filtre pour emboîter le filtre et le mettre en place. Il faudra peut-être appuyer fortement.
7. Purger le circuit d'eau. Voir "Distributeur d'eau" ou "Distributeurs d'eau et de glaçons".

Installation du filtre à air

(sur certains modèles)

Le filtre à air réduit l'accumulation d'odeurs. Ceci aide à maintenir un environnement plus propre à l'intérieur du réfrigérateur.

Sur certains modèles, le sachet d'accessoires du réfrigérateur comprend un filtre à air qui doit être installé avant d'utiliser le réfrigérateur. Sur certains modèles, le filtre à air est préinstallé à l'usine.



Installation du filtre à air

Le filtre doit être installé derrière la porte à aérations, située le long de la paroi intérieure arrière du compartiment de réfrigération.

1. Retirer le filtre à air de son emballage.

REMARQUE : Un témoin de statut du filtre à air est fourni avec le filtre à air. Le témoin n'est pas nécessaire pour les modèles qui affichent le statut du filtre à air sur le tableau de commande.
2. Ouvrir la porte à aérations en la soulevant.
3. Emboîter le filtre pour le mettre en place.

Témoin lumineux de l'état du filtre à air

Le tableau de commande affiche le statut du filtre à air.

- GOOD (bon) - L'icône du filtre à air sur le tableau de commande s'allume en BLEU.
- ORDER remplacement (commander un filtre de rechange) - L'icône du filtre à air sur le tableau de commande s'allume en JAUNE.
- REPLACE air filter (remplacer le filtre à air) - L'icône du filtre à air sur le tableau de commande s'allume en ROUGE et "Replace Filter" (remplacer le filtre) apparaît.
- EXPIRED (usé) - L'icône du filtre à air sur le tableau de commande s'allume en ROUGE et "Replace Filter" (remplacer le filtre) clignote sur l'affichage du tableau de commande.

Après avoir remplacé le filtre à air, appuyer sur le bouton AIR FILTER (filtre à air) pendant 3 secondes. Les icônes du filtre s'éteindront. Voir "Utilisation de la/des commande(s)". Lorsque l'on réinitialise le système, l'icône du filtre à air reprend sa couleur BLEUE et les mots "Replace Filter" (remplacer le filtre) disparaissent de l'affichage.

REMARQUE : Quel que soit le statut du filtre, appuyer sur le bouton AIR FILTER pendant 3 secondes pour réinitialiser le statut du filtre à air et le ramener à "Good" (bon) - l'icône du filtre à air s'éteindra ensuite.

Remplacement du filtre à air

Le filtre à air jetable doit être remplacé tous les 6 mois ou lorsque l'icône du témoin du filtre à air s'allume et commence à clignoter lorsqu'on ouvre la porte du réfrigérateur.

Pour commander un filtre à air de rechange, nous contacter. Voir "Accessoires".

1. Retirer l'ancien filtre à air en serrant les onglets latéraux.
2. Installer le filtre à air neuf et réinitialiser le témoin à l'aide des instructions de la section précédente.

Installation du conservateur pour produits frais

(sur certains modèles)

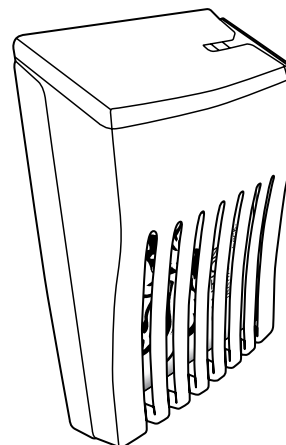
Le sachet d'accessoires comprend deux sachets de conservation pour produits frais qui doivent être installés dans un bac à légumes avant d'être utilisés.

REMARQUE : Pour une performance idéale, toujours utiliser deux sachets.

Le sachet de conservation pour produits frais absorbe l'éthylène, permettant ainsi un ralentissement du processus de maturation de nombreux produits frais. Ainsi, la fraîcheur de certains produits frais est prolongée.

La production d'éthylène et la sensibilité des produits à l'éthylène varie selon le type de fruit ou de légume. Afin de préserver la fraîcheur, il est préférable de séparer les produits frais sensibles à l'éthylène des fruits produisant des quantités d'éthylène modérées à élevées.

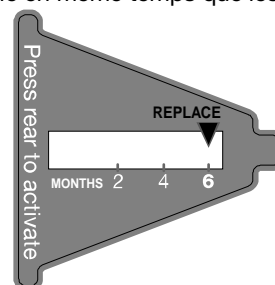
	Production d'éthylène			
	Très basse	Basse	Élevée	Très élevée
Sensibilité à l'éthylène				
Élevée	Brocoli Laitue Épinards			Pommes Poires
Moy.	Asperges Agrumes		Melon brodé	
Basse	Carottes Raisin	Baies		



1. Retirer les sachets de conservation pour produits frais FreshFlow™ de leur emballage.
2. Soulever le logement pour l'extraire de la languette de montage.
3. Ouvrir le logement en soulevant l'arrière du sommet du logement pour l'extraire.
4. Placer les deux sachets à l'intérieur du logement puis emboîter les deux parties du logement pour le refermer.
5. Réinstaller le logement sur la languette de montage.

Installation du témoin

Le conservateur pour produits frais comporte un témoin qui doit être activé et installé en même temps que les sachets.



1. Orienter le témoin orienté vers le bas en le plaçant sur une surface ferme et plane.
2. Appliquer une pression sur la bulle située à l'arrière du témoin jusqu'à ce que la bulle éclate – ceci active le témoin.
3. Ouvrir le couvercle au sommet du logement du sachet de conservation pour produits frais en le faisant coulisser.
4. Placer le témoin sur le sommet du logement en l'orientant vers l'extérieur.
5. Fermer le couvercle en le faisant coulisser et vérifier que le témoin est visible à travers le trou rectangulaire du couvercle.

REMARQUE : Le couvercle ne se fermera pas facilement si la bulle du témoin lumineux n'a pas éclaté.

Remplacement du sachet de conservation pour produits frais

Les sachets jetables doivent être remplacés tous les 6 mois, lorsque le témoin est entièrement passé du blanc au rouge.

Pour commander des sachets de rechange, nous contacter. Voir "Accessoires" pour des renseignements sur le processus de commande.

1. Retirer les sachets usagés du logement du conservateur pour produits frais.
2. Retirer le témoin usagé.
3. Installer les sachets et le témoin neufs en suivant les instructions des sections précédentes.

ATTENTION : IRRITANT

PEUT IRRITER LES YEUX ET LA PEAU. DÉGAGE DES ÉMANATIONS DANGEREUSES LORSQUE MÉLANGÉ AVEC D'AUTRES PRODUITS.

Ne pas mélanger avec d'autres agents de nettoyage tels que l'ammoniaque, un agent de blanchiment ou des acides. Éviter tout contact avec les yeux, la peau ou les vêtements. Ne pas respirer les poussières. Tenir hors de la portée des enfants.

PREMIERS SOINS : Contient du permanganate de potassium. En cas d'ingestion, appeler immédiatement un centre antipoison ou un médecin. Ne pas provoquer le vomissement. En cas de contact avec les yeux, rincer avec de l'eau pendant 15 minutes. En cas de contact avec la peau, bien rincer avec de l'eau.

Accessoires

Les accessoires de réfrigérateur suivants sont disponibles. Pour commander, nous contacter et demander les numéros de pièces.

Aux É.-U., consulter notre page Web www.whirlpool.com/accessories ou composer le **1-800-901-2042**.

Au Canada, consulter notre page Web www.whirlpoolparts.ca ou composer le **1-800-807-6777**.

Nettoyant et poli pour acier inoxydable affresh™† :

Commander la pièce numéro W10355016

Lingettes pour acier inoxydable affresh™† :

Commander la pièce numéro W10355049

Nettoyant pour appareil ménager et cuisine affresh™† :

Commander la pièce numéro W10355010

Filtre à eau :

Commander la pièce numéro W10295370A ou FILTER1

Filtre à air :

Commander la pièce numéro W10311524 ou AIR1

Conservateur pour produits frais :

Commander la pièce numéro W10346771A ou FRESH1

Lot filtre à eau, filtre à air et filtre à éthylène :

Commander la pièce numéro WW10443987BL

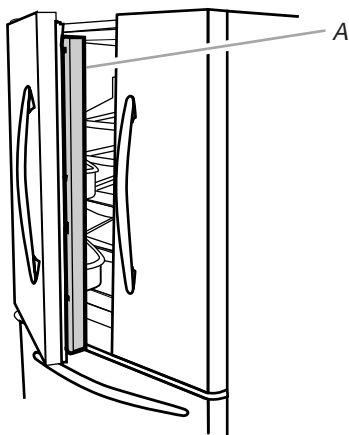
UTILISATION DU RÉFRIGÉRATEUR

Ouverture et fermeture des portes

Il y a deux portes pour le compartiment de réfrigération. Les portes peuvent être ouvertes et fermées séparément ou ensemble.

Il y a sur la porte de gauche du réfrigérateur un joint à charnière verticale.

- Lors de l'ouverture de la porte du côté gauche, le joint à charnière se replie automatiquement vers l'intérieur pour qu'il n'y ait pas d'interférence.
- Lorsque les deux portes sont fermées, le joint à charnière assure automatiquement l'étanchéité entre les deux portes.



A. Joint à charnière

Utilisation des commandes

IMPORTANT :

- Attendre 24 heures pour que le réfrigérateur refroidisse complètement avant d'y placer des aliments. Si on ajoute des aliments avant que le réfrigérateur ne soit complètement refroidi, les aliments risquent de s'abîmer.

†™ AFFRESH est une marque de commerce de Whirlpool, U.S.A.

REMARQUE : Le fait d'ajuster les commandes de température du réfrigérateur et du congélateur à un réglage plus froid que le réglage recommandé ne refroidira pas les compartiments plus rapidement.

- Le réglage recommandé doit être correct pour une utilisation domestique normale du réfrigérateur. Les réglages sont faits correctement lorsque le lait ou le jus sont aussi froids que vous l'aimez et lorsque la crème glacée est ferme.
- Si la température est trop tiède ou trop froide dans le réfrigérateur ou le congélateur, vérifier d'abord les événements pour s'assurer qu'ils ne sont pas bloqués, avant de régler les commandes.

Tableau de commande

Selon le modèle, le réfrigérateur comporte soit un tableau de commande interne situé sur le sommet du compartiment de réfrigération, soit un tableau de commande externe situé au-dessus du distributeur d'eau externe. Suivre les instructions relatives au modèle utilisé.

Tableau de commande interne

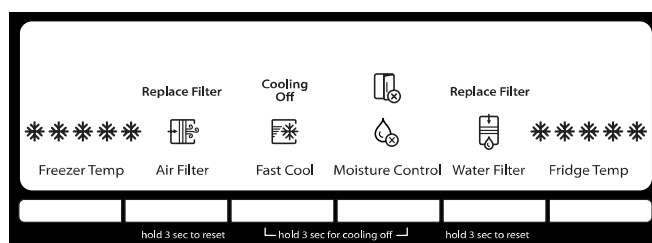
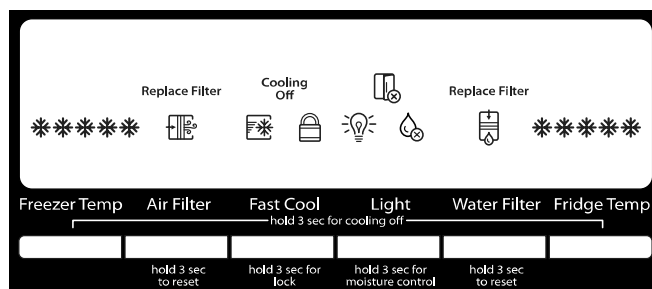
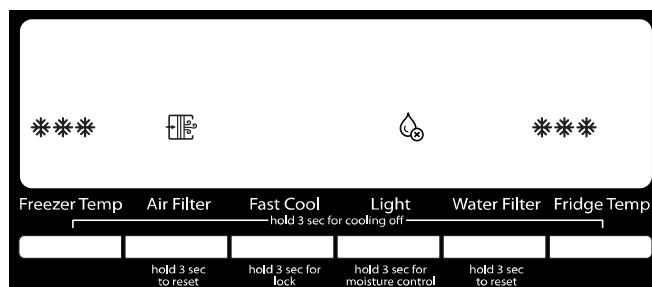


Tableau de commande externe



IMPORTANT (commande externe uniquement) : L'écran d'affichage sur le tableau de commande du distributeur s'éteint automatiquement et entre au mode "veille" lorsque les boutons de commande et les leviers du distributeur n'ont pas été utilisés pendant au moins 2 minutes. Le fait d'appuyer une fois sur un bouton de commande alors que l'appareil est au mode "veille" réactive uniquement l'écran d'affichage, sans modifier les réglages. Après réactivation, n'importe quel réglage peut alors être modifié. Si aucune modification n'est apportée dans les 2 minutes qui suivent, l'affichage passe de nouveau au mode "veille".

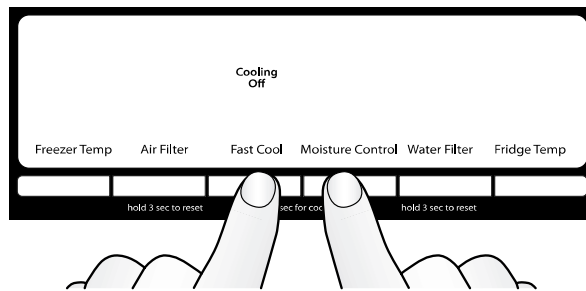
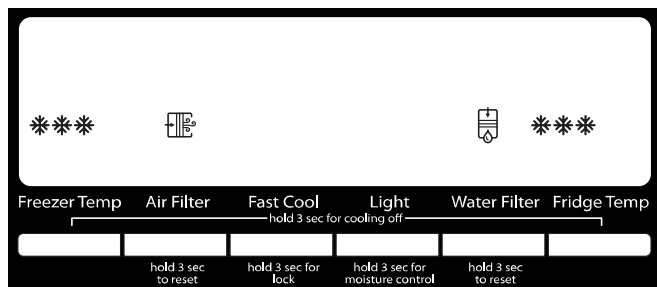
- Appuyer sur n'importe quel bouton de commande sur le tableau de distribution pour activer l'écran d'affichage.



Contrôle de la température

Pour votre commodité, la commande de température est préréglée à l'usine. Lors de l'installation initiale du réfrigérateur, s'assurer que la commande est encore préréglée au point de réglage recommandé tel qu'illustré.

Réglage recommandé "3 flocons de neige"



Ajustement des commandes

Pour ajuster la température du compartiment de réfrigération ou de congélation, utiliser les réglages indiqués dans le tableau suivant comme guide.

- Appuyer sur le bouton TEMP (température) pour afficher le nombre de flocons de neige souhaité entre 1 flocon de neige (pour le réglage le moins froid) et tous les flocons à la fois (5 flocons - pour le réglage le plus froid).

REMARQUE : Ne pas ajuster les commandes de plus d'un réglage à la fois, sauf lors de la mise en marche du réfrigérateur. Attendre 24 heures entre les réglages pour que la température puisse se stabiliser.

CONDITION/RAISON :	AJUSTEMENT :
RÉFRIGÉRATEUR trop tiède	TEMPÉRATURE DU RÉFRIGÉRATEUR un flocon de neige supplémentaire
CONGÉLATEUR trop tiède/ trop peu de glaçons	TEMPÉRATURE DU CONGÉLATEUR un flocon de neige supplémentaire
RÉFRIGÉRATEUR trop froid	TEMPÉRATURE DU RÉFRIGÉRATEUR un flocon de neige en moins
CONGÉLATEUR trop froid	TEMPÉRATURE CONGÉLATEUR un flocon de neige en moins

Mise en marche/arrêt du refroidissement

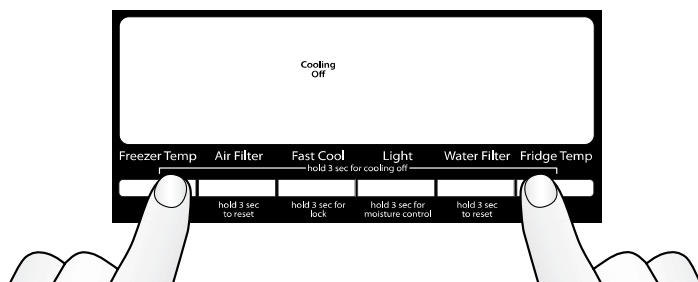
Ni le réfrigérateur, ni le congélateur ne refroidiront lorsque le refroidissement est désactivé. Suivre les instructions relatives au modèle utilisé.

Tableau de commande interne

- Pour désactiver le refroidissement, appuyer simultanément sur les boutons FAST COOL (refroidissement rapide) et MOISTURE CONTROL (contrôle de l'humidité) pendant 3 secondes. Lorsque le refroidissement est désactivé, "Cooling Off" (refroidissement désactivé) apparaît sur l'écran d'affichage.
- Pour réactiver le refroidissement, appuyer simultanément sur les boutons FAST COOL (refroidissement rapide) et MOISTURE CONTROL (contrôle de l'humidité) pendant 3 secondes. Lorsque le refroidissement est activé, "Cooling Off" (refroidissement désactivé) disparaît et les réglages précédemment sélectionnés apparaissent sur l'écran d'affichage.

Tableau de commande externe

- Pour désactiver le refroidissement, appuyer simultanément sur les boutons FREEZER TEMP (température du congélateur) et FRIDGE TEMP (température du réfrigérateur) pendant 3 secondes. Lorsque le refroidissement est désactivé, "Cooling Off" (refroidissement désactivé) apparaît sur l'écran d'affichage.
- Pour réactiver le refroidissement, appuyer simultanément sur les boutons FREEZER TEMP (température du congélateur) et FRIDGE TEMP (température du réfrigérateur) pendant 3 secondes. Lorsque le refroidissement est activé, "Cooling Off" (refroidissement désactivé) disparaît et les réglages précédemment sélectionnés apparaissent sur l'écran d'affichage.



Caractéristiques supplémentaires

Alarme de porte ouverte

- L'icône de porte ouverte s'allume chaque fois que l'on ouvre la porte.



- Si l'on ouvre une porte pendant 5 minutes et que le refroidissement est activé, un signal sonore retentit trois fois et l'icône de porte ouverte clignote sept fois. Cette séquence se répète toutes les 2 minutes jusqu'à ce que toutes les portes soient bien fermées. Cette caractéristique se réinitialise et se réactive ensuite si l'une des portes est de nouveau laissée ouverte pendant 5 minutes.

REMARQUES :

- Pour que l'alarme sonore cesse de retentir tout en gardant les portes ouvertes, comme lors du nettoyage de l'intérieur du réfrigérateur, appuyer sur n'importe quel bouton sur le tableau de commande. Le son de l'alarme est temporairement supprimé, mais l'icône de porte ouverte reste affichée sur le tableau de commande du distributeur.
- Les deux portes doivent être complètement fermées pour que l'icône de porte ouverte s'éteigne.

Fast Cool (refroidissement rapide)

La caractéristique Fast Cool (refroidissement rapide) est utile lors de périodes d'utilisation intense du réfrigérateur, de l'addition d'un grand nombre d'aliments ou de l'élévation temporaire de la température de la pièce.

- Appuyer sur la touche FAST COOL (refroidissement rapide) pour régler le congélateur et le réfrigérateur aux réglages de température les plus bas. Appuyer de nouveau sur FAST COOL pour retourner au point de réglage de température sélectionné.

REMARQUES :

- L'icône de Fast Cool s'allume lorsque le réfrigérateur est au mode Fast Cool.
- La caractéristique Fast Cool s'éteint automatiquement au bout de 24 heures.



Moisture Control (contrôle de l'humidité)

La caractéristique de contrôle de l'humidité met en marche un dispositif de chauffage pour aider à réduire l'humidité sur le joint de la charnière de porte. À utiliser dans des environnements humides ou en cas d'observation d'humidité sur le joint de la charnière de porte. Le réfrigérateur consomme plus d'énergie lorsque la commande d'humidité est activée.

REMARQUE : L'icône de contrôle de l'humidité s'allume pour indiquer que la caractéristique est activée.

Pour activer/désactiver la caractéristique de contrôle de l'humidité :

- Tableau de commande interne - Appuyer sur MOISTURE CONTROL (contrôle de l'humidité) pendant 3 secondes.
- Tableau de commande externe - Appuyer sur LIGHT (éclairage) pendant 3 secondes.



Témoin lumineux et réinitialisation du filtre à eau

La commande de réinitialisation du filtre permet de réinitialiser la caractéristique de suivi du statut du filtre à air chaque fois que l'on change le filtre à air. Voir "Système de filtration de l'eau".

- Appuyer sur WATER FILTER (filtre à eau) pendant 3 secondes pour réinitialiser le statut du filtre à eau et le ramener à Good (bon). L'icône du filtre à eau vire alors au bleu.



Témoin lumineux et réinitialisation du filtre à air

La commande de réinitialisation du filtre permet de réinitialiser la caractéristique de suivi du statut du filtre à air chaque fois que l'on change le filtre à air. Voir "Installation du filtre à air".

- Appuyer sur AIR FILTER (filtre à air) pendant 3 secondes pour réinitialiser le statut du filtre à air et le ramener à Good (bon). L'icône du filtre à air vire alors au bleu.



Distributeur d'eau (sur certains modèles)

IMPORTANT :

- Attendre 3 heures pour que le réfrigérateur refroidisse et refroidisse l'eau.
- Prévoir un délai de 24 heures pour la production du premier lot de glaçons. Jeter les trois premiers lots de glaçons produits.
- Le système de distribution ne fonctionne pas lorsque la porte du réfrigérateur est ouverte.

Rinçage du circuit d'eau

De l'air piégé dans le système de distribution d'eau peut entraîner l'égouttement du distributeur d'eau. Après avoir raccordé le réfrigérateur à une source d'alimentation en eau ou remplacé le filtre à eau, vidanger le circuit d'eau.

Le fait de rincer le système de distribution d'eau évacue l'air de la canalisation et du filtre, et conditionne le filtre à eau. Une vidange supplémentaire peut être nécessaire dans certains domiciles.

REMARQUE : Pendant l'évacuation de l'air, l'eau peut gicler du distributeur.

1. Utiliser un récipient robuste pour appuyer sur la plaque du distributeur d'eau pendant 5 secondes.
2. Relâcher la plaque du distributeur pendant 5 secondes
3. Répéter les étapes 1 et 2 jusqu'à ce que l'eau commence à couler.
4. Une fois que l'eau commence à couler, continuer d'appuyer puis de relâcher la plaque du distributeur (appui pendant 5 secondes, relâchement pendant 5 secondes) jusqu'à ce qu'un total de 4 gal. (15 L) ait été distribué.

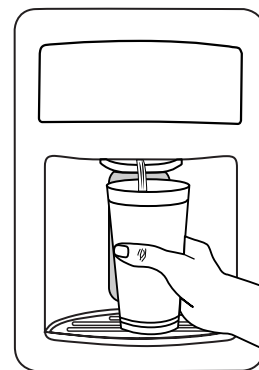
Distribution d'eau

IMPORTANT :

- Le système de distribution ne fonctionne pas lorsque la porte du réfrigérateur est ouverte.
- L'écran d'affichage sur le tableau de commande du distributeur s'éteint automatiquement et entre au mode "veille" lorsque les boutons de commande et les leviers du distributeur n'ont pas été utilisés pendant au moins 2 minutes. Le fait d'appuyer une fois sur un bouton de commande alors que l'appareil est au mode "veille" réactive uniquement l'écran d'affichage, sans modifier les réglages. Après réactivation, n'importe quel réglage peut alors être modifié. Si aucune modification n'est apportée dans les 2 minutes qui suivent, l'affichage passe de nouveau au mode "veille".

Distribution d'eau :

1. Appuyer un verre résistant contre la plaque du distributeur d'eau.
2. Retirer le verre pour arrêter la distribution.



Lumière de distributeur

Lorsqu'on utilise le distributeur, la lampe s'allume automatiquement. Si l'on souhaite que la lumière reste allumée en permanence, on peut l'allumer. L'icône lumineuse s'allume lorsque l'éclairage est activé.



MARCHE : Appuyer rapidement sur LIGHT (éclairage) pour allumer la lampe du distributeur.

ARRÊT : Appuyer rapidement sur LIGHT (éclairage) pour éteindre la lampe du distributeur.

REMARQUES :

- Si l'on appuie involontairement sur le bouton LIGHT (éclairage) pendant au moins 3 secondes, la caractéristique de contrôle de l'humidité est activée. Si cela se produit, appuyer de nouveau sur le bouton LIGHT (éclairage) pendant 3 secondes pour désactiver la caractéristique de contrôle de l'humidité.
- Les lampes du distributeur sont des DEL qui ne peuvent pas être remplacées. Si les lumières du distributeur ne semblent pas fonctionner, voir "Dépannage" pour plus d'information.

Verrouillage du distributeur

Le distributeur peut être arrêté pour un nettoyage facile ou pour éviter la distribution involontaire par de jeunes enfants ou des animaux de compagnie.

REMARQUE : La caractéristique de verrouillage n'interrompt pas l'alimentation électrique au réfrigérateur, à la machine à glaçons ou à la lampe du distributeur. Elle sert simplement à désactiver les commandes et les leviers du distributeur. Pour éteindre la machine à glaçons, voir "Machine à glaçons et bac d'entreposage".

- Appuyer sur FAST COOL (refroidissement rapide) pendant 3 secondes pour verrouiller le distributeur.
- Appuyer de nouveau sur FAST COOL (refroidissement rapide) pendant 3 secondes pour déverrouiller le distributeur.

L'icône de verrouillage s'allume quand le distributeur est verrouillé.



Machine à glaçons

(sur certains modèles)

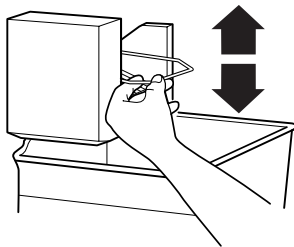
IMPORTANT : Pour les modèles comportant un filtre à eau, après avoir raccordé le réfrigérateur à l'alimentation en eau ou avoir remplacé le filtre à eau, remplir et jeter trois récipients entiers de glaçons afin que le filtre à eau soit prêt pour utilisation.

Mise en marche/arrêt de la machine à glaçons

Pour mettre la machine à glaçons en marche, il suffit d'abaisser le bras de commande en broche.

Pour ARRÊTER manuellement la machine à glaçons, soulever le bras de commande en broche à la position OFF (élevée) et attendre le clic.

REMARQUE : Votre machine à glaçons a un arrêt automatique. Au fur et à mesure de la fabrication de la glace, les glaçons remplissent le bac d'entreposage de glaçons. Les glaçons soulèvent le bras de commande en broche à la position OFF (élevée). Ne pas forcer le commutateur du bras en broche vers le haut ou vers le bas.



Bac à glaçons

1. Nettoyer le bac à glaçons au savon doux et à l'eau tiède.
2. Insérer le bac à glaçons sous la machine à glaçons et le pousser aussi loin que possible.
3. Abaisser le levier de commande de la machine à glaçons et le placer en position de marche ("on").

REMARQUE : Il faut généralement attendre environ 24 heures pour que la machine à glaçons commence à produire des glaçons. Les glaçons auront peut-être un goût désagréable. Le cas échéant, jeter les trois premiers lots de glaçons produits. Les glaçons suivants devraient avoir un goût normal.

Taux de production des glaçons

- La machine à glaçons devrait produire environ 8 à 12 lots de glaçons au cours d'une période de 24 heures. Attendre 3 jours pour que le bac à glaçons se remplisse entièrement.
- Pour augmenter la production de glaçons, diminuer la température du congélateur et du réfrigérateur. Voir "Utilisation des commandes". Attendre 24 heures entre les ajustements.

À noter

- La qualité de vos glaçons sera seulement aussi bonne que la qualité de l'eau fournie à votre machine à glaçons. Éviter de brancher la machine à glaçons à un approvisionnement d'eau adoucie. Les produits chimiques adoucisseurs d'eau (tels que le sel) peuvent endommager des pièces de la machine à glaçons et causer une piètre qualité des glaçons. Si une alimentation d'eau adoucie ne peut pas être évitée, s'assurer que l'adoucisseur d'eau fonctionne bien et qu'il est bien entretenu.
- Ne pas utiliser un objet pointu pour briser les glaçons dans le bac. Cette action peut endommager le bac à glaçons et le mécanisme du distributeur.
- Ne pas garder quoi que ce soit sur le dessus ou dans la machine à glaçons ou dans le bac à glaçons.

CARACTÉRISTIQUES DU RÉFRIGÉRATEUR

REMARQUE : Votre modèle peut comporter toutes les caractéristiques suivantes ou seulement certaines d'entre elles.

Importants renseignements à savoir au sujet des tablettes et des couvercles en verre :

Ne pas nettoyer les tablettes ou couvercles en verre avec de l'eau tiède quand ils sont froids. Les tablettes et les couvercles peuvent se briser s'ils sont exposés à des changements soudains de température ou à un impact tel que coup brusque. Le verre trempé est conçu pour éclater en d'innombrables pièces minuscules. Ceci est normal. Les tablettes et les couvercles en verre sont lourds. Les saisir à deux mains lors de leur dépose afin d'éviter de les faire tomber.

Tablettes du réfrigérateur

Les tablettes de réfrigérateur sont réglables pour s'adapter à vos propres besoins de rangement.

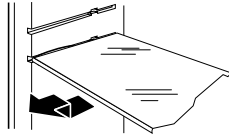
Tablettes en verre

Pour retirer une tablette :

1. Retirer les articles de la tablette.
2. Retirer la tablette en la faisant glisser tout droit jusqu'à la butée.
3. Selon votre modèle, soulever l'arrière ou l'avant de la tablette en la retirant au-delà de la butée. Retirer complètement la tablette.

Pour réinstaller une tablette :

1. Réinstaller l'arrière de la tablette en la faisant glisser dans la rainure de la paroi de la caisse.
2. Guider l'avant de la tablette dans la rainure de tablette. Veiller à insérer complètement la tablette.



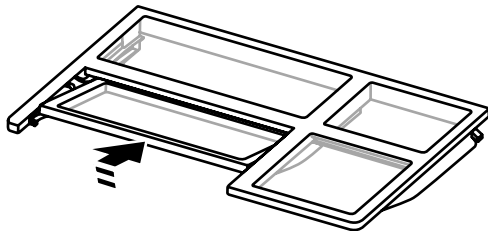
Tablette escamotable (sur certains modèles)

Pour rétracter la tablette escamotable :

- Rétracter la section escamotable de la tablette en maintenant l'avant de la tablette d'une main et en soulevant la partie centrale avant de la tablette. Repousser ensuite la tablette vers l'arrière tout en appuyant dessus jusqu'à ce qu'elle coulisse en-dessous de la section arrière de la tablette.

Réinstallation de la tablette escamotable :

- Réinstaller la section escamotable de la tablette en maintenant l'avant de la tablette d'une main tout en tirant sur le centre de la tablette jusqu'à ce que la section escamotable soit de nouveau complètement déployée.



Garde-manger

Garde-manger

Pour retirer et réinstaller le garde-manger :

1. Faire glisser le tiroir du garde-manger jusqu'à la butée.
2. Soulever l'avant du tiroir du garde-manger d'une main tout en soutenant la partie inférieure du tiroir de l'autre. Faire glisser le tiroir complètement vers l'extérieur.
3. Réinstaller le tiroir en le réinsérant complètement au-delà de la butée.

Couvercle du garde-manger

Retrait et réinstallation du couvercle du garde-manger :

1. Retirer le tiroir du garde-manger.
2. Soulever le couvercle en verre par en-dessous et le retirer.
3. Réinstaller le couvercle du garde-manger en l'abaissant.
4. Réinstaller le tiroir du garde-manger.

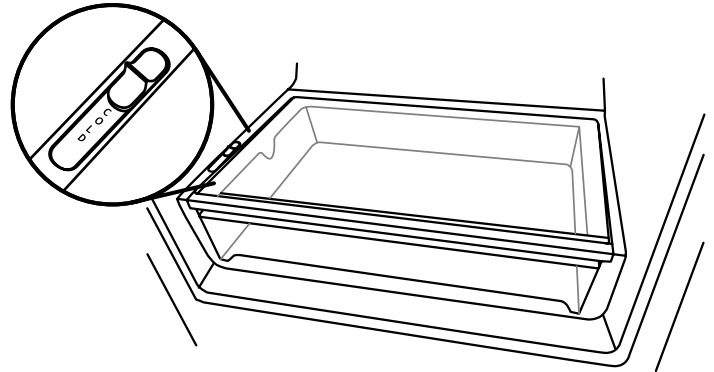
Commande du garde-manger

La quantité d'air circulant dans le garde-manger affecte la température de l'intérieur du tiroir.

La commande de flux d'air se trouve sur le côté gauche du garde-manger.

Ajustement du flux d'air :

- Plus froid - Faire coulisser la commande vers l'avant du garde-manger pour ouvrir la circulation d'air.
- Froid - Faire coulisser la commande complètement vers l'arrière du garde-manger. Cela referme la circulation d'air - voir l'illustration.

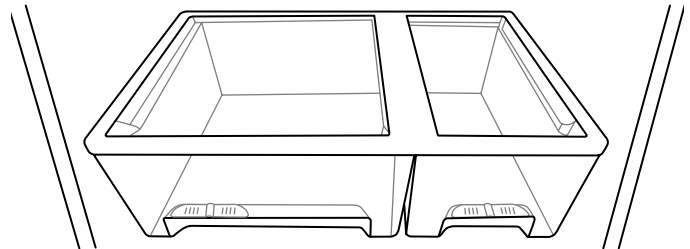


Bac à légumes

Bacs à légumes

Retrait et réinstallation du bac à légumes :

1. Extraire le bac à légumes en le faisant glisser vers l'extérieur jusqu'à la butée. Soulever le devant et faire glisser le bac vers l'extérieur pour le retirer complètement.
2. Réinstaller le tiroir en l'insérant complètement au-delà de la butée.



Couvercle du bac à légumes

Retrait et réinstallation du couvercle du bac à légumes :

1. Tirer sur le couvercle en verre tout droit vers l'extérieur.
2. Réinstaller le couvercle en verre en le repoussant à l'intérieur.

Contrôle de l'humidité (sur certains modèles)

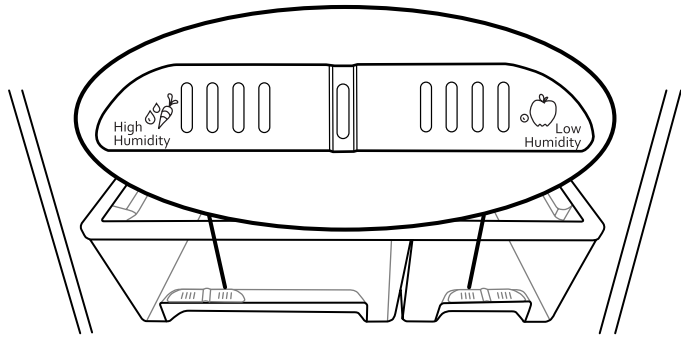
On peut contrôler le degré d'humidité dans le bac à légumes étanche. La commande peut être ajustée à n'importe quel réglage entre LOW (faible) et HIGH (élevée).

En position LOW (ouvert), le réglage laisse échapper l'air humide du bac à légumes pour mieux conserver les fruits et légumes à pelure.

- Fruits : Laver, laisser sécher et garder au réfrigérateur dans un sac en plastique ou dans le bac à légumes. Ne pas laver ni équeuter les baies avant le moment de leur utilisation. Répartir et garder les baies dans leur contenant original dans le bac à légumes ou les conserver sur une tablette du réfrigérateur dans un sac en papier fermé sans être serré.
- Légumes à pelure : Placer dans un sac ou un contenant en plastique et ranger dans le bac à légumes.

En position HIGH (fermé), le réglage permet de retenir l'humidité à l'intérieur du bac pour mieux conserver les légumes à feuilles frais.

- Légumes à feuilles : Laver à l'eau froide, égoutter et couper ou éliminer les sections endommagées et décolorées. Placer dans un sac ou un contenant en plastique et ranger dans le bac à légumes.



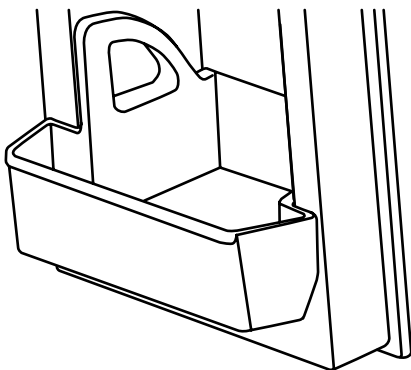
CARACTÉRISTIQUES DE LA PORTE

REMARQUE : Votre modèle peut comporter toutes les caractéristiques suivantes ou seulement certaines d'entre elles.

Balconnets à condiments

Retrait et réinstallation des balconnets à condiments :

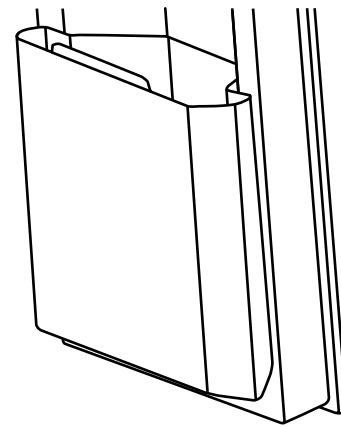
1. Incliner le balconnet, le saisir et le tirer vers l'extérieur.
2. Retirer le balconnet en le saisissant et en le soulevant pour le dégager des glissières.
3. Réinstaller le balconnet en le réinsérant sur les glissières et en le poussant pour le fermer.



Balconnet fraîcheur (sur certains modèles)

Pour retirer et réinstaller le balconnet fraîcheur :

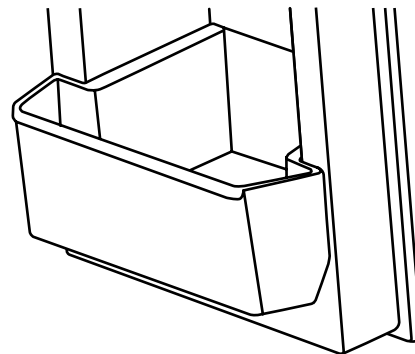
1. Ouvrir le balconnet en saisissant la partie centrale supérieure et en l'inclinant vers l'extérieur.
2. Retirer le balconnet en le saisissant par les deux côtés et en le soulevant pour le dégager des glissières.
3. Réinstaller le balconnet en le réinsérant sur les glissières en position inclinée et en le poussant pour le refermer.



Balconnet mi-hauteur (sur certains modèles)

Retrait et réinstallation du balconnet mi-hauteur :

1. Incliner le balconnet, le saisir et le tirer vers l'extérieur.
2. Retirer le balconnet en le saisissant et en le soulevant pour le dégager des glissières.
3. Réinstaller le balconnet en le réinsérant sur les glissières et en le poussant pour le fermer.



ENTRETIEN DU RÉFRIGÉRATEUR

Nettoyage

AVERTISSEMENT



Risque d'explosion

Utiliser un produit de nettoyage ininflammable.

Le non-respect de cette instruction peut causer un décès, une explosion ou un incendie.

Les compartiments de réfrigération et de congélation se dégivrent automatiquement. Toutefois, nettoyer les deux compartiments environ une fois par mois pour éviter une accumulation d'odeurs. Essuyer les renversements immédiatement.

IMPORTANT :

- Comme l'air circule entre les deux compartiments, toutes les odeurs formées dans un compartiment seront transférées à l'autre. Vous devez nettoyer à fond les deux compartiments pour éliminer les odeurs. Pour éviter le transfert d'odeurs et l'assèchement des aliments, envelopper ou recouvrir hermétiquement les aliments.
- Pour les modèles en acier inoxydable, l'acier inoxydable est résistant à la corrosion, et non pas anticorrosion. Pour éviter la corrosion de l'acier inoxydable, garder les surfaces propres à l'aide des instructions de nettoyage suivantes.

Nettoyage de votre réfrigérateur :

REMARQUE : Ne pas utiliser des nettoyants abrasifs tels que les nettoyants à vitre en atomiseurs, nettoyants à récurer, liquides inflammables, acide chlorhydrique, cires nettoyantes, détergents concentrés, agents de blanchiment ou nettoyants contenant du pétrole sur les surfaces extérieures (portes et caisse), les pièces en plastique, les garnitures intérieures et de portes ou les joints de portes. Ne pas utiliser d'essuie-tout, tampons à récurer ou autres outils de nettoyage abrasifs.

1. Débrancher le réfrigérateur ou déconnecter la source de courant électrique.
2. Laver à la main, rincer et sécher les pièces amovibles et les surfaces internes à fond. Utiliser une éponge propre ou un linge doux et un détergent doux dans de l'eau tiède.
3. Nettoyer les surfaces extérieures.

Métal peint : Laver les surfaces extérieures peintes avec une éponge propre ou un linge doux et un détergent doux dans de l'eau tiède. Rincer les surfaces avec de l'eau propre et tiède et sécher immédiatement pour éviter les éventuelles taches laissées par l'eau.

Acier inoxydable : Laver les surfaces en acier inoxydable avec une éponge propre ou un linge doux et un détergent doux dans de l'eau tiède. Rincer les surfaces avec de l'eau propre et tiède et sécher immédiatement pour éviter les éventuelles taches laissées par l'eau.

REMARQUE : Lors du nettoyage de l'acier inoxydable, essuyer toujours dans le sens du grain pour éviter les éraflures.

4. Le condenseur n'a pas besoin d'être nettoyé souvent dans des conditions de fonctionnement normales. Si l'environnement est particulièrement gras, poussiéreux, ou s'il y a des animaux domestiques dans la maison, le condenseur devrait être nettoyé tous les deux ou trois mois pour assurer une efficacité maximum.

Si vous avez besoin de nettoyer le condenseur :

- Retirer la grille de la base.
 - Utiliser un aspirateur à brosse douce pour nettoyer la grille, les endroits ouverts derrière la grille et la surface à l'avant du condenseur.
 - Replacer la grille de la base lorsqu'on a terminé.
5. Brancher le réfrigérateur ou reconnecter la source de courant électrique.

Remplacement des ampoules d'éclairage

IMPORTANT :

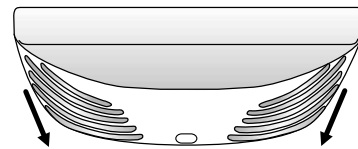
- Toutes les ampoules pour appareils ménagers ne conviendront pas à votre réfrigérateur. S'assurer de faire le remplacement par une ampoule de grosseur, de forme et de puissance semblables.
- Pour garantir une performance optimale du réfrigérateur, remplacer les ampoules dès qu'elles sont usagées.

Éclairage du compartiment de réfrigération

L'éclairage situé au sommet du compartiment de réfrigération n'a jamais besoin d'être remplacé. Si les lampes ne s'allument pas lorsqu'on ouvre la porte, appeler les numéros fournis pour obtenir de l'aide ou un dépannage. Aux États-Unis, composer le **1-800-253-1301**. Au Canada, composer le **1-800-807-6777**.

Éclairage du compartiment de congélation (sur certains modèles)

1. Débrancher le réfrigérateur ou déconnecter la source de courant électrique.
2. Retirer le protège-ampoule (sur certains modèles).
 - Sommet du compartiment de congélation - Faire glisser le protège-ampoule vers l'arrière du compartiment pour le libérer de l'ensemble d'éclairage.



3. Remplacer l'ampoule grillée par une ampoule pour appareils électroménagers de 25 watts maximum.
4. Réinstaller le protège-ampoule.
5. Brancher le réfrigérateur ou reconnecter la source de courant électrique.

DÉPANNAGE

Essayer d'abord les solutions suggérées ici ou visiter notre site Internet et la FAQ (foire aux questions) pour éviter le coût d'une intervention de dépannage.
Aux É.-U., www.whirlpool.com Au Canada, www.whirlpool.ca

Fonctionnement

⚠ AVERTISSEMENT



Risque de choc électrique

Brancher sur une prise à 3 alvéoles reliée à la terre.
Ne pas enlever la broche de liaison à la terre.
Ne pas utiliser un adaptateur.
Ne pas utiliser un câble de rallonge.
Le non-respect de ces instructions peut causer un décès, un incendie ou un choc électrique.

PROBLÈME	CAUSES POSSIBLES	SOLUTIONS
Le réfrigérateur ne fonctionne pas	Inspecter l'alimentation électrique	Brancher le cordon d'alimentation dans une prise à 3 alvéoles reliée à la terre. Ne pas utiliser de câble de rallonge. S'assurer que la prise est alimentée. Brancher une lampe pour voir si la prise fonctionne. Remettre un disjoncteur qui serait ouvert en marche. Remplacer tout fusible grillé. REMARQUE : Si le problème persiste, appeler un électricien.
	Inspecter les commandes	S'assurer que les commandes sont activées. Voir "Utilisation des commandes".
	Nouvelle installation	Accorder 24 heures après l'installation pour que le réfrigérateur se refroidisse complètement. REMARQUE : Ajuster les commandes de température au réglage le plus froid ne permettra pas aux compartiments de se refroidir plus vite.

PROBLÈME	CAUSES POSSIBLES	SOLUTIONS
Le moteur semble fonctionner excessivement	Compresseur et ventilateurs haute efficacité	Ceci est normal. Les réfrigérateurs plus gros et plus efficaces fonctionnent plus longtemps.
	La température de la pièce ou la température extérieure est élevée	Il est normal que le réfrigérateur fonctionne pendant plus longtemps dans ces conditions. Pour une performance optimale, placer le réfrigérateur dans un environnement d'intérieur à température stable. Voir "Exigences d'emplacement".
	Une grande quantité d'aliments tièdes a été récemment placée dans le réfrigérateur	Lorsque l'on place des aliments tièdes dans le réfrigérateur, l'appareil fonctionne plus longtemps : jusqu'à ce que l'air soit refroidi à la température désirée.
	La/les porte(s) sont ouvertes fréquemment ou pendant trop longtemps	L'air tiède qui entre dans le réfrigérateur prolonge son fonctionnement. Ouvrir la porte moins souvent.
	La porte du réfrigérateur ou le tiroir du congélateur est entrouvert(e)	Vérifier que le réfrigérateur est de niveau. Voir "Fermeture et alignement de la porte". Empêcher les aliments et les récipients d'obstruer la porte.
	La commande du réfrigérateur est placée à un réglage trop froid	Ajuster la commande du réfrigérateur à un réglage moins froid jusqu'à ce que la température du réfrigérateur souhaitée soit atteinte. Voir "Utilisation des commandes".
	Le joint de la porte ou du tiroir est sale, usagé ou craquelé	Nettoyer ou remplacer le joint d'étanchéité. Si le joint de la porte présente des fuites, le réfrigérateur fonctionnera plus longtemps pour maintenir la température souhaitée.
Les ampoules ne fonctionnent pas	Une ampoule est desserrée dans la douille ou grillée	Resserrer ou remplacer l'ampoule. Voir "Remplacement des ampoules d'éclairage".
	La lumière du distributeur est réglée à OFF (arrêt)	Sur certains modèles, la lumière du distributeur ne fonctionne que si l'on appuie sur un levier du distributeur. Si on désire que la lumière du distributeur reste allumée continuellement, voir "Distributeur d'eau".
	La commande est réglée à Sabbath Mode (sur certains modèles)	Désactiver le mode Sabbat. Voir "Utilisation des commandes".

Bruit

PROBLÈME	CAUSES POSSIBLES	SOLUTIONS
Le réfrigérateur semble bruyant Voici une liste de sons normaux, accompagnée d'explications.	Le compresseur de votre nouveau réfrigérateur régule la température plus efficacement tout en utilisant moins d'énergie; il fonctionne aussi plus silencieusement. Les bruits de fonctionnement étant moins importants, vous remarquerez peut-être des bruits discontinus.	
Le bruit du compresseur qui fonctionne plus longtemps que prévu.	Compresseur et ventilateurs haute efficacité	Ceci est normal. Les réfrigérateurs plus gros et plus efficaces fonctionnent plus longtemps.
Pulsation/Bruissement	Les ventilateurs/le compresseur qui s'ajustent pour optimiser la performance durant le fonctionnement normal du compresseur	Ceci est normal
Éclatement	Contraction/expansion des parois internes, surtout lors du refroidissement initial	Ceci est normal
Sifflement/Égouttement	Écoulement de liquide réfrigérant ou d'huile dans le compresseur	Ceci est normal
Vibration	Le réfrigérateur n'est peut-être pas stable	Ajuster les vis de nivellement et abaisser le pied de nivellement avant de façon à ce qu'il soit bien en contact avec le plancher. Voir "Fermeture et alignement de la porte".

PROBLÈME	CAUSES POSSIBLES	SOLUTIONS
Entrechoquement/ martèlement	Mouvement des conduites d'eau contre la caisse du réfrigérateur ou d'objets posés sur le dessus de la caisse du réfrigérateur	Éloigner l'excédent de canalisation d'eau de la caisse du réfrigérateur ou la fixer dessus. Voir "Raccordement de l'eau" ou retirer les objets du sommet du réfrigérateur.
Grésillement	De l'eau goutte sur l'élément de chauffage durant le programme de dégivrage	Ceci est normal
Écoulement d'eau/ gargouillement	Peut se produire lorsque la glace fond lors du programme de dégivrage et que l'eau s'écoule dans le plateau de dégivrage	Ceci est normal
Bourdonnement	Peut se produire lorsque le robinet d'eau s'ouvre pour remplir la machine à glaçons	Ceci est normal
Grincement/Craquement	Peut se produire lorsque la glace est éjectée du moule à glaçons	Ceci est normal
Patatras	Peut se produire lorsque les glaçons tombent dans le bac d'entreposage	Ceci est normal

Température et humidité

PROBLÈME	CAUSES POSSIBLES	SOLUTIONS
La température est trop élevée	Le réfrigérateur vient d'être installé	Accorder 24 heures après l'installation pour que le réfrigérateur se refroidisse complètement.
	Le refroidissement est désactivé	Activer le refroidissement. Voir "Utilisation des commandes".
	Le réglage des commandes n'est pas adapté à l'environnement de l'appareil	Régler les commandes à un cran plus froid. Vérifier la température au bout de 24 heures. Voir "Utilisation de la/des commande(s)".
	La/les porte(s) sont ouvertes fréquemment ou ne sont pas complètement fermées	Ceci permet à l'air chaud de pénétrer dans le réfrigérateur. Minimiser les ouvertures de porte et garder les portes complètement fermées.
	Une grande quantité d'aliments a été récemment ajoutée	Attendre quelques heures pour permettre au réfrigérateur de revenir à une température normale.
La température est trop basse dans le réfrigérateur/ bac à légumes	L'évent/les événements du réfrigérateur est/sont bloqué(s).	Si l'évent situé à l'angle supérieur gauche du compartiment de réfrigération est obstrué par des articles placés directement devant, le réfrigérateur sera trop froid. Éloigner les objets de l'évent.
	Le réglage des commandes n'est pas adapté à l'environnement de l'appareil	Régler les commandes à un réglage plus chaud. Vérifier la température au bout de 24 heures. Voir "Utilisation de la/des commande(s)".
	Le bac d'entreposage à glaçons est mal installé	Voir "Machine à glaçons".
La température est trop basse dans les garde-manger	Le réglage des commandes n'est pas adapté aux articles entreposés dans le tiroir	Ajuster le réglage de la commande. Voir "Caractéristiques du réfrigérateur".
Il y a accumulation d'humidité à l'intérieur. REMARQUE : Une certaine accumulation d'humidité est normale.	La pièce est humide	Un environnement humide contribue à l'accumulation d'humidité.
	La/les porte(s) sont ouvertes fréquemment ou ne sont pas complètement fermées	Cela permet à l'air humide de pénétrer dans le réfrigérateur. Minimiser les ouvertures de porte et garder les portes complètement fermées.
	La porte est bloquée en position ouverte	Déplacer les emballages d'aliments pour libérer la porte.
	Un compartiment ou une tablette bloque le passage	Replacer le compartiment ou la tablette en position correcte.
	Entreposage de liquides dans des récipients ouverts	Cela ajoute de l'humidité à l'intérieur du réfrigérateur. Bien fermer tous les récipients.

PROBLÈME	CAUSES POSSIBLES	SOLUTIONS
Du givre/de la glace s'est accumulé(e) dans le compartiment de congélation	Les portes sont fréquemment ouvertes ou sont laissées ouvertes	Minimiser les ouvertures de porte et garder les portes complètement fermées.
	Joint de la porte en mauvais état	S'assurer que les joints de porte sont en parfait contact avec la caisse du réfrigérateur pour que l'étanchéité soit assurée.
	Les commandes de température ne sont pas correctement réglées	Voir "Utilisation des commandes" pour connaître les réglages de température recommandés.

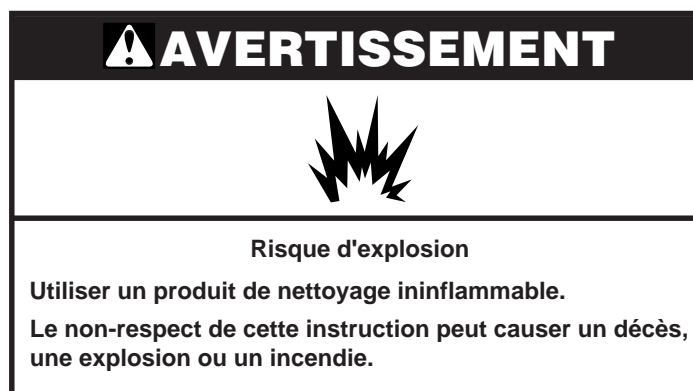
Glaçons et eau

PROBLÈME	CAUSES POSSIBLES	SOLUTIONS
La machine à glaçons ne produit pas ou pas suffisamment de glaçons	Le réfrigérateur n'est pas raccordé à l'alimentation en eau ou le robinet d'arrêt d'eau n'est pas ouvert	Brancher le réfrigérateur à l'alimentation en eau et ouvrir le robinet d'arrêt d'eau complètement.
	La canalisation de la source d'eau du domicile comporte une déformation	Une déformation dans la canalisation peut réduire l'écoulement d'eau. Redresser la canalisation d'eau.
	La machine à glaçons n'est pas allumée	S'assurer que la machine à glaçons est en marche. Voir "Machine à glaçons".
	Le réfrigérateur vient d'être installé	Attendre 24 heures après l'installation de la machine à glaçons pour que la production de glaçons commence. Attendre 3 jours pour que la production de glaçons soit complète.
	La porte du réfrigérateur n'est pas complètement fermée	Bien fermer la porte. Si elle ne ferme pas complètement, voir "Les portes ne ferment pas complètement".
	Une grande quantité de glaçons a été récemment prélevée	Attendre 24 heures pour que la machine à glaçons produise plus de glaçons.
	Un glaçon est coincé dans le bras éjecteur de la machine à glaçons	Enlever le glaçon du bras éjecteur avec un ustensile en plastique. REMARQUE : Sur certains modèles, appuyer sur le levier ouvrant la porte de la machine à glaçons pour accéder au bras éjecteur.
	Un filtre à eau est installé sur le réfrigérateur	Enlever le filtre à eau et faire fonctionner la machine à glaçons. Si le volume de glace augmente, le filtre est probablement obstrué ou mal installé. Remplacer le filtre ou le réinstaller correctement.
Les glaçons sont creux ou petits REMARQUE : Cela indique une faible pression de l'eau.	Un système de filtration de l'eau par osmose inverse est connecté à votre alimentation en eau froide	Ceci peut réduire la pression de l'eau. Voir "Spécifications de l'alimentation en eau".
	Le robinet d'arrêt de la canalisation d'eau n'est pas complètement ouvert	Ouvrir le robinet d'arrêt complètement.
	La canalisation de la source d'eau du domicile comporte une déformation	Une déformation dans la canalisation peut réduire l'écoulement d'eau. Redresser la canalisation d'eau.
	Un filtre à eau est installé sur le réfrigérateur	Enlever le filtre et faire fonctionner la machine à glaçons. Si la qualité des glaçons s'améliore, le filtre est probablement obstrué ou mal installé. Remplacer le filtre ou le réinstaller correctement.
	Un système de filtration de l'eau par osmose inverse est connecté à votre alimentation en eau froide	Ceci peut réduire la pression de l'eau. Voir "Spécifications de l'alimentation en eau".
D'autres questions concernant la pression de l'eau?	Appeler un plombier agréé et qualifié.	

PROBLÈME	CAUSES POSSIBLES	SOLUTIONS
Mauvais goût, mauvaise odeur ou couleur grise des glaçons ou de l'eau	Raccords de plomberie récemment installés ou remplacés. Des raccords de plomberie neufs peuvent entraîner une décoloration ou un mauvais goût des glaçons et de l'eau.	Jeter les glaçons et laver le bac d'entreposage à glaçons. Rincer le circuit d'eau avec 4 gal. (15 L) d'eau. Accorder 24 heures à la machine à glaçons pour produire des nouveaux glaçons et jeter les 3 premiers lots de glaçons produits.
	Les glaçons ont été conservés pendant trop longtemps	Jeter les glaçons. Laver le bac d'entreposage à glaçons. Accorder 24 heures pour la fabrication de nouveaux glaçons.
	L'eau a été conservée pendant trop longtemps	Distribuer au moins 1 L d'eau chaque semaine pour maintenir un approvisionnement en eau fraîche.
	Les glaçons ont pris l'odeur des aliments	Utiliser des emballages hermétiques et à l'épreuve de l'humidité pour conserver les aliments.
	L'eau contient des minéraux (tels que le soufre)	L'installation d'un filtre à eau peut être requise afin d'enlever les minéraux.
	Un filtre à eau est installé sur le réfrigérateur	Une décoloration grise ou foncée de la glace indique que le système de filtration de l'eau nécessite un rinçage supplémentaire. Rincer le circuit d'eau avant d'installer ou d'utiliser un nouveau filtre à eau. Voir "Distributeur d'eau" pour des instructions sur le rinçage du filtre à eau.
	Le filtre à eau doit être remplacé	Remplacer le filtre à eau jetable au moins tous les 6 mois ou lorsque signalé. Voir "Système de filtration de l'eau".
Le distributeur d'eau ne fonctionne pas correctement	Le réfrigérateur n'est pas raccordé à l'alimentation en eau ou le robinet d'arrêt d'eau n'est pas ouvert	Brancher le réfrigérateur à l'alimentation en eau et ouvrir complètement le robinet d'arrêt d'eau.
	La canalisation de la source d'eau du domicile comporte une déformation	Une déformation dans la canalisation d'eau peut réduire le débit au distributeur d'eau et entraîner la formation de glaçons creux ou de forme irrégulière. Redresser la canalisation d'eau.
	Le réfrigérateur vient d'être installé	Rincer et remplir le système de distribution d'eau. Voir "Distributeur d'eau".
	Si la pression en eau du domicile est inférieure à 30 lb/po ² (207 kPa)	La pression en eau du domicile détermine la taille du débit depuis le distributeur. Voir "Spécifications de l'alimentation en eau".
	Un système de filtration de l'eau par osmose inverse est connecté à votre alimentation en eau froide	Un système de filtration de l'eau par osmose inverse peut réduire la pression de l'eau. Voir "Spécifications de l'alimentation en eau".
	Un filtre à eau est installé sur le réfrigérateur	Enlever le filtre et faire fonctionner le distributeur. Si le débit d'eau augmente, le filtre à eau est peut-être obstrué ou mal installé. Remplacer le filtre ou le réinstaller correctement.
	La porte du réfrigérateur n'est pas complètement fermée	Bien fermer la porte. Si elle ne ferme pas complètement, voir "Les portes ne ferment pas complètement".
	Les portes du réfrigérateur ont été récemment enlevées	S'assurer que l'assemblage câble/tuyau du distributeur d'eau a été correctement reconnecté au sommet de la porte du réfrigérateur. Voir "Retrait et réinstallation des portes du réfrigérateur et de l'avant du tiroir".
De l'eau suinte ou goutte du système de distribution REMARQUE : Il est normal que quelques gouttes s'écoulent de la machine après que l'on a distribué de l'eau.	Le verre n'a pas été maintenu sous le distributeur assez longtemps	Maintenir le verre sous le distributeur pendant 2 à 3 secondes après avoir relâché le levier du distributeur.
De l'eau continue de goutter du distributeur - davantage que seulement quelques gouttes.	Le réfrigérateur vient d'être installé	Le fait de rincer le circuit d'eau permet d'éliminer l'air retenu dans les canalisations, ce qui entraîne l'égouttement du distributeur. Rincer le système de distribution d'eau. Voir "Distributeur d'eau".
	Le filtre à eau a été récemment changé	Le fait de rincer le circuit d'eau permet d'éliminer l'air retenu dans les canalisations, ce qui entraîne l'égouttement du distributeur. Rincer le système de distribution d'eau. Voir "Distributeur d'eau".

PROBLÈME	CAUSES POSSIBLES	SOLUTIONS
De l'eau fuit par l'arrière du réfrigérateur	Les raccords de la canalisation d'eau n'ont pas été complètement serrés	Voir "Raccordement de l'eau".
	Les portes ont été récemment retirées et le raccord de la canalisation en eau n'a pas été complètement serré	Voir "Retrait et réinstallation des portes du réfrigérateur et de l'avant du tiroir".
L'eau du distributeur est tiède REMARQUE : L'eau du distributeur est réfrigérée à seulement 50°F (10°C)	Le réfrigérateur vient d'être installé	Attendre 24 heures après l'installation pour que l'alimentation en eau refroidisse complètement.
	Une grande quantité d'eau a été récemment distribuée	Accorder 3 heures pour que l'alimentation en eau se refroidisse complètement.
	On n'a pas distribué d'eau récemment	Le premier verre d'eau peut ne pas être froid. Jeter le premier verre d'eau distribué.
	Le réfrigérateur n'est pas raccordé à une canalisation d'arrivée d'eau froide	S'assurer que le réfrigérateur est raccordé à la canalisation d'arrivée d'eau froide. Voir "Spécifications de l'alimentation en eau".

Portes



PROBLÈME	CAUSES POSSIBLES	SOLUTIONS
La/les porte(s) ou le tiroir ne se ferme(nt) pas complètement	La porte ou le tiroir est bloqué(e) en position ouverte	Déplacer les aliments sous emballage pour libérer la/les porte(s). Retirer les glaçons ou autres articles qui seraient tombés sur le fond du compartiment de congélation.
	Un compartiment ou une tablette bloque le passage	Replacer le compartiment ou la tablette en position correcte.
	Récemment installé	Enlever tous les matériaux d'emballage
Les portes sont difficiles à ouvrir	Les joints de la porte sont collants ou sales	Nettoyer les joints et les surfaces de contact au savon doux et à l'eau tiède. Rincer et sécher avec un linge doux.
Les portes semblent mal alignées	Les portes doivent être alignées ou l'aplomb du réfrigérateur effectué	Voir "Fermeture et alignement de la porte".
Les portes ne s'ouvrent et se ferment pas comme prévu	L'inclinaison du réfrigérateur doit être ajustée	Ajuster l'inclinaison du réfrigérateur. Voir "Fermeture et alignement de la porte".

FEUILLE DE DONNÉES SUR LA PERFORMANCE

Système de filtration d'eau Modèle P5WB12NL/P4RFWB12 Capacité 120 gallons (455 litres)



Produit testé et certifié par NSF International en vertu de la norme NSF/ANSI 42 (réduction du goût et de l'odeur du chlore, et particules de classe I*) et en vertu de la norme NSF/ANSI 53 (réduction de kystes actifs, amiante, plomb, lindane, toxaphène, atrazine et 2,4 - D).

Ce produit a été testé selon les normes NSF/ANSI 42 et 53 pour la réduction des substances énumérées ci-dessous. La concentration des substances indiquées dans l'eau entrant dans le système a été réduite à une concentration moindre ou égale à la limite permise pour l'eau qui quitte le système, tel que spécifié dans les normes NSF/ANSI 42 et 53.

Réd. de substances Effets esthétiques	Critères de réduction NSF	Affluent moyen	Concentration dans l'eau à traiter	Effluent maximal	% de réd. minimale	% de réd. moyenne
Chlore goût/odeur Particules (classe I*)	réduction de 50 % réduction de 85 %	2,0 mg/L 7 300 000 #/mL	2,0 mg/L ± 10 % Au moins 10 000 particules/mL	0,20 mg/L 75 000 #/mL**	97 99	97,2 99,4
Réduction des contaminants	Critères de réduction NSF	Affluent moyen	Concentration dans l'eau à traiter	Effluent maximal	% de réd. minimale	% de réd. moyenne
Kystes actifs†	99,95 %	160 000/L	50 000/L min.	54/L†	99,97	99,99
Amiante	99 %	87 MFL	10 ⁷ à 10 ⁸ fibres/L††	0,17 MFL	99	99
Plomb : à pH 6,5 Plomb : à pH 8,5	0,010 mg/L 0,010 mg/L	0,160 mg/L 0,140 mg/L	0,15 mg/L ± 10 % 0,15 mg/L ± 10 %	0,001 mg/L 0,005 mg/L	99,4 98,6	99,4 98,6
Lindane	0,0002 mg/L	0,0019 mg/L	0,002 mg/L ± 10 %	0,00002 mg/L	98,9	99
Toxaphène	0,003 mg/L	0,014 mg/L	0,015 mg/L ± 10 %	0,001 mg/L	93	93
Atrazine	0,003 mg/L	0,0094 mg/L	0,009 mg/L ± 10 %	0,0005 mg/L	94,5	94,7
2,4 - D	0,07 mg/L	0,220 mg/L	0,210 mg/L ± 10 %	0,028 mg/L	87,5	96,1

Paramètres de test : pH = 7,5 ± 0,5 à moins d'indications contraires. Débit = 0,5 gpm (1,9 Lpm). Pression = 60 lb/po² (413,7 kPa). Temp. = 68°F à 71,6°F (20°C à 22°C). Capacité de service nominale = 120 gallons (455 litres).

- Il est essentiel que les exigences de fonctionnement, d'entretien et de remplacement de filtre soient respectées pour que ce produit donne le rendement annoncé.
- Utiliser la cartouche de remplacement P4RRWB/P4RFWB12, pièce n° W10295370. Prix au détail suggéré en 2011 de 49,99 \$US/59,99 \$CAN. Les prix sont sujets à modification sans préavis.

Style 1 – Lorsque l'écran d'affichage de l'état du filtre à eau passe de "GOOD" (bon) à "ORDER" (commander), commander un nouveau filtre. Lorsque le témoin indique "REPLACE" (remplacer), il est recommandé de remplacer le filtre.

Style 2 – Lorsque le témoin du filtre passe du vert au jaune, commander un nouveau filtre. Lorsque le témoin passe du jaune au rouge, il est recommandé de remplacer le filtre.

Style 3 – Lorsque le témoin du filtre indique 10 %, commander un nouveau filtre. Lorsque le témoin indique 0 %, il est recommandé de remplacer le filtre.

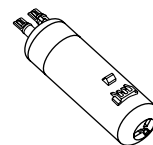
Style 4 – Pour les modèles sans distributeur d'eau, remplacer le filtre à eau jetable tous les 6 mois. Le témoin lumineux du filtre à eau rappelle à l'utilisateur lorsque le moment est venu de remplacer le filtre à eau.

- Après avoir changé le filtre à eau, vidanger le système de distribution d'eau. Pour les glaçons filtrés uniquement, remplir et jeter trois récipients entiers de glaçons pour que le filtre à eau soit opérationnel.
- Ces contaminants ne sont pas nécessairement présents dans votre approvisionnement d'eau. Même si le test a été effectué dans des conditions de laboratoires standard, le rendement réel peut varier.

- Le produit doit être utilisé pour l'eau froide seulement.
- Le circuit d'eau doit être installé conformément aux lois et règlements locaux et à ceux de l'État concerné.
- Ne pas utiliser pour le filtrage d'une eau microbiologiquement polluée ou de qualité inconnue en l'absence d'un dispositif de désinfection adéquat avant ou après le système. Les systèmes certifiés pour la réduction de kyste peuvent être utilisés pour l'eau désinfectée qui peut contenir des kystes filtrables.
- Consulter la section "Garantie" pour obtenir le nom, l'adresse et le numéro de téléphone du fabricant.
- Consulter la section "Garantie" pour voir la garantie limitée du fabricant.

Directives d'application/ Paramètres d'approvisionnement en eau

Source d'eau	Collectivité ou puits
Pression de l'eau	30 - 120 lb/po ² (207 - 827 kPa)
Température de l'eau	33° - 100°F (0,6° - 37,8°C)
Débit nominal	0,5 gpm (1,9 L/min) à 60 lb/po ²



*Classe I - taille des particules : > 0,5 à <1 um

**Exigence de test : au moins 100 000 particules/mL (poussière de test fine AC).

†Cas de la filtration de kystes de *Cryptosporidium parvum*

††Fibres de longueur supérieure à 10 um

GARANTIE DE GROS APPAREIL MÉNAGER WHIRLPOOL CORPORATION

GARANTIE LIMITÉE

Pendant un an à compter de la date d'achat, lorsque ce gros appareil ménager est utilisé et entretenu conformément aux instructions jointes à ou fournies avec le produit, Whirlpool Corporation ou Whirlpool Canada LP (ci-après désignées "Whirlpool") paiera pour les pièces spécifiées par l'usine et la main-d'œuvre pour corriger les vices de matériaux ou de fabrication qui existaient déjà lorsque ce gros appareil ménager a été acheté. Le service doit être fourni par une compagnie de service désignée par Whirlpool. LE SEUL ET EXCLUSIF RECOURS DU CLIENT DANS LE CADRE DE LA PRÉSENTE GARANTIE LIMITÉE CONSISTE EN LA RÉPARATION PRÉVUE CI-DESSUS. Cette garantie limitée est valide uniquement aux États-Unis ou au Canada et s'applique exclusivement lorsque le gros appareil ménager est utilisé dans le pays où il a été acheté. Une preuve de la date d'achat d'origine est exigée pour obtenir un service dans le cadre de la présente garantie limitée.

ÉLÉMENTS EXCLUS DE LA GARANTIE

La présente garantie limitée ne couvre pas :

1. Les pièces de rechange ou la main-d'œuvre lorsque ce gros appareil ménager est utilisé à des fins autres que l'usage domestique unifamilial normal ou lorsque les instructions d'installation et/ou les instructions de l'opérateur ou de l'utilisateur fournies ne sont pas respectées.
 2. Les visites de service pour rectifier l'installation du gros appareil ménager, montrer à l'utilisateur comment utiliser le gros appareil ménager, remplacer ou réparer des fusibles du domicile ou rectifier le câblage ou la plomberie du domicile.
 3. Les visites de service pour réparer ou remplacer les ampoules électriques, les filtres à air ou les filtres à eau de l'appareil. Les pièces consommables ne sont pas couvertes par la garantie.
 4. Les dommages imputables à : accident, modification, usage impropre ou abusif, incendie, inondation, actes de Dieu, installation fautive ou installation non conforme aux codes d'électricité ou de plomberie, ou l'utilisation de produits non approuvés par Whirlpool.
 5. Les défauts d'apparence, notamment les éraflures, traces de choc, fissures ou tout autre dommage subi par le fini du gros appareil ménager, à moins que ces dommages ne résultent de vices de matériaux ou de fabrication et ne soient signalés à Whirlpool dans les 30 jours suivant la date d'achat.
 6. Toute perte d'aliments ou de médicaments due à une défaillance du réfrigérateur ou du congélateur.
 7. Le ramassage et la livraison. Ce gros appareil ménager est conçu pour être réparé à domicile.
 8. Les réparations aux pièces ou systèmes résultant d'une modification non autorisée faite à l'appareil.
 9. Les frais de déplacement et de transport pour le service du produit si votre gros appareil ménager est situé dans une région éloignée où un fournisseur de services d'entretien ou de réparation Whirlpool autorisé n'est pas disponible.
 10. La dépose et la réinstallation de votre gros appareil ménager si celui-ci est installé dans un endroit inaccessible ou n'est pas installé conformément aux instructions d'installation fournies par Whirlpool.
 11. Les pièces de rechange ou la main-d'œuvre pour les gros appareils ménagers dont les numéros de modèle/de série ont été enlevés, modifiés ou ne peuvent pas être facilement identifiés.
 12. La décoloration ou l'oxydation des surfaces en acier inoxydable ou encore l'apparition de rouille sur ces surfaces.
-

CLAUSE D'EXONÉRATION DE RESPONSABILITÉ AU TITRE DES GARANTIES IMPLICITES

LES GARANTIES IMPLICITES, Y COMPRIS LES GARANTIES APPLICABLES DE QUALITÉ MARCHANDE OU D'APTITUDE À UN USAGE PARTICULIER, SONT LIMITÉES À UN AN OU À LA PLUS COURTE PÉRIODE AUTORISÉE PAR LA LOI. Certains États et provinces ne permettent pas de limitation sur la durée d'une garantie implicite de qualité marchande ou d'aptitude à un usage particulier, de sorte que la limitation ci-dessus peut ne pas être applicable dans votre cas. Cette garantie vous confère des droits juridiques spécifiques, et vous pouvez également jouir d'autres droits qui peuvent varier d'une juridiction à l'autre.

LIMITATION DES RECOURS; EXCLUSION DES DOMMAGES FORTUITS OU INDIRECTS

LE SEUL ET EXCLUSIF RECOURS DU CLIENT DANS LE CADRE DE LA PRÉSENTE GARANTIE LIMITÉE CONSISTE EN LA RÉPARATION PRÉVUE CI-DESSUS. WHIRLPOOL N'ASSUME AUCUNE RESPONSABILITÉ POUR LES DOMMAGES FORTUITS OU INDIRECTS. Certains États et certaines provinces ne permettent pas l'exclusion ou la limitation des dommages fortuits ou indirects, de sorte que ces limitations et exclusions peuvent ne pas être applicables dans votre cas. Cette garantie vous confère des droits juridiques spécifiques, et vous pouvez également jouir d'autres droits qui peuvent varier d'une juridiction à l'autre.

Si vous résidez à l'extérieur des 50 États des États-Unis et du Canada, contactez votre marchand Whirlpool autorisé pour déterminer si une autre garantie s'applique.

6/08

Pour des informations supplémentaires sur le produit, aux É.-U., visiter www.whirlpool.com.
Au Canada, visiter www.whirlpool.ca.

Si vous n'avez pas accès à Internet et que vous nécessitez une assistance pendant l'utilisation du produit ou que vous souhaitez prendre un rendez-vous, vous pouvez contacter Whirlpool au numéro ci-dessous.

Ayez votre numéro de modèle à disposition. Vous pouvez trouver vos numéros de modèle et de série sur la plaque située sur la paroi interne du compartiment de réfrigération.

Pour assistance ou service aux É.-U., composez le 1-800-253-1301. Au Canada, composez le 1-800-807-6777.

Si vous avez besoin de plus d'assistance, vous pouvez écrire à Whirlpool en soumettant toute question ou problème à l'adresse suivante :

Aux États-Unis :

Whirlpool Brand Home Appliances
Customer eXperience Center
553 Benson Road
Benton Harbor, MI 49022-2692

Au Canada :

Whirlpool Brand Home Appliances
Centre d'eXpérience à la clientèle
200 – 6750 Century Ave.
Mississauga, Ontario L5N 0B7

Dans votre correspondance, veuillez indiquer un numéro de téléphone où l'on peut vous joindre dans la journée.

Veuillez conserver le manuel de l'utilisateur et le numéro de modèle pour référence ultérieure.

W10400960A
EN/FR PN W10360467A

© 2011 Whirlpool Corporation.
All rights reserved.
Todos los derechos reservados.
Tous droits réservés.

® Registered Trademark/TM Trademark of Whirlpool, U.S.A., Whirlpool Canada LP Licensee in Canada
® Marca registrada/TM Marca de comercio de Whirlpool, U.S.A., usada bajo licencia de Whirlpool Canada LP en Canadá
® Marque déposée/TM Marque de commerce de Whirlpool, U.S.A., emploi sous licence par Whirlpool Canada LP au Canada

11/11
Printed in Mexico
Impreso en México
Imprimé au Mexique