



REFRIGERATOR USER INSTRUCTIONS

THANK YOU for purchasing this high-quality product. If you should experience a problem not covered in TROUBLESHOOTING or PROBLEM SOLVER, please visit our website at www.whirlpool.com for additional information. If you still need assistance, call us at 1-800-253-1301. In Canada, visit our website at www.whirlpool.ca or call us at 1-800-807-6777.

You will need your model and serial number, located on the inside wall of the refrigerator compartment.

Table of Contents / Índice / Table des matières

REFRIGERATOR SAFETY	2	SEGURIDAD DEL REFRIGERADOR	32	SÉCURITÉ DU RÉFRIGÉRATEUR	65
Proper Disposal of Your Old Refrigerator	3	Cómo deshacerse adecuadamente de su refrigerador viejo	33	Mise au rebut adéquate de votre vieux réfrigérateur.....	66
INSTALLATION INSTRUCTIONS	3	INSTRUCCIONES DE INSTALACIÓN	33	INSTRUCTIONS D'INSTALLATION	66
Unpack the Refrigerator.....	3	Desempaque el refrigerador	33	Déballage du réfrigérateur.....	66
Remove and Replace Refrigerator Doors.....	4	Cómo quitar y volver a colocar las puertas del refrigerador	34	Retrait et réinstallation des portes du réfrigérateur.....	67
Remove and Replace Drawer Fronts	7	Cómo quitar y volver a colocar los frentes de los cajones	36	Retrait et réinstallation de l'avant des tiroirs	69
Location Requirements.....	9	Requisitos de ubicación.....	38	Exigences d'emplacement	71
Electrical Requirements.....	9	Requisitos eléctricos.....	39	Spécifications électriques	72
Water Supply Requirements.....	9	Requisitos del suministro de agua.....	39	Spécifications de l'alimentation en eau.....	72
Connect the Water Supply	10	Conexión del suministro de agua	39	Raccordement à la canalisation d'eau.....	72
Handle Installation and Removal	11	Instalación y remoción de las manijas.....	41	Installation et démontage des poignées	74
Refrigerator Leveling, Door Closing and Alignment.....	12	Nivelación del refrigerador, cierre y alineamiento de las puertas	42	Mise à niveau du réfrigérateur, fermeture et alignement des portes	75
FILTERS AND ACCESSORIES	13	FILTROS Y ACCESORIOS	43	FILTRES ET ACCESSOIRES	76
Water Filtration System.....	13	Sistema de filtración de agua	43	Système de filtration d'eau.....	76
Install Air Filter.....	14	Instalación del filtro de aire	44	Installation du filtre à air.....	77
Accessories.....	15	Accesorios.....	45	Accessoires	78
REFRIGERATOR USE	15	USO DE SU REFRIGERADOR	46	UTILISATION DU RÉFRIGÉRATEUR ...	78
Opening and Closing Doors	15	Cómo abrir y cerrar las puertas	46	Ouverture et fermeture des portes.....	78
Using the Controls	15	Uso de los controles	46	Utilisation des commandes	78
Refrigerator Features	18	Características del refrigerador.....	49	Caractéristiques du réfrigérateur	81
Water and Ice Dispensers.....	19	Despachadores de agua y hielo	49	Distributeurs d'eau et de glaçons	82
Ice Maker and Ice Storage Bin	22	Fábrica de hielo y depósito de hielo	53	Machine à glaçons et bac d'entreposage à glaçons.....	85
REFRIGERATOR CARE	22	CUIDADO DE SU REFRIGERADOR	53	ENTRETIEN DU RÉFRIGÉRATEUR	86
Cleaning	22	Limpieza	53	Nettoyage	86
Lights.....	23	Luces	54	Lampes	87
Vacation and Moving Care	23	Cuidado durante las vacaciones y mudanzas.....	55	Entretien avant les vacances ou lors d'un déménagement	87
PROBLEM SOLVER	24	SOLUCIÓN DE PROBLEMAS	56	RÉSOLUTION DE PROBLÈMES	88
WATER FILTER CERTIFICATIONS	29	HOJA DE DATOS DEL RENDIMIENTO	62	FEUILLE DE DONNÉES SUR LA PERFORMANCE	94
PERFORMANCE DATA SHEET	30	GARANTÍA	63	GARANTIE	95
WARRANTY	31				

REFRIGERATOR SAFETY

Your safety and the safety of others are very important.

We have provided many important safety messages in this manual and on your appliance. Always read and obey all safety messages.



This is the safety alert symbol.

This symbol alerts you to potential hazards that can kill or hurt you and others.

All safety messages will follow the safety alert symbol and either the word "DANGER" or "WARNING."

These words mean:

⚠ DANGER

You can be killed or seriously injured if you don't immediately follow instructions.

⚠ WARNING

You can be killed or seriously injured if you don't follow instructions.

All safety messages will tell you what the potential hazard is, tell you how to reduce the chance of injury, and tell you what can happen if the instructions are not followed.

IMPORTANT SAFETY INSTRUCTIONS

WARNING: To reduce the risk of fire, electric shock, or injury when using your refrigerator, follow these basic precautions:

- Plug into a grounded 3 prong outlet.
- Do not remove ground prong.
- Do not use an adapter.
- Do not use an extension cord.
- Disconnect power before servicing.
- Replace all parts and panels before operating.
- Remove doors from your old refrigerator.
- Use nonflammable cleaner.
- Keep flammable materials and vapors, such as gasoline, away from refrigerator.
- Use two or more people to move and install refrigerator.
- Disconnect power before installing ice maker (on ice maker kit ready models only).
- Use a sturdy glass when dispensing ice (on some models).
- Do not hit the refrigerator glass doors (on some models).

SAVE THESE INSTRUCTIONS

State of California Proposition 65 Warnings:

WARNING: This product contains one or more chemicals known to the State of California to cause cancer.

WARNING: This product contains one or more chemicals known to the State of California to cause birth defects or other reproductive harm.

Proper Disposal of Your Old Refrigerator

! WARNING

Suffocation Hazard

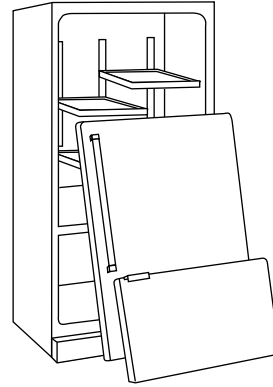
Remove doors from your old refrigerator.

Failure to do so can result in death or brain damage.

IMPORTANT: Child entrapment and suffocation are not problems of the past. Junked or abandoned refrigerators are still dangerous – even if they will sit for “just a few days.” If you are getting rid of your old refrigerator, please follow these instructions to help prevent accidents.

Before You Throw Away Your Old Refrigerator or Freezer:

- Take off the doors.
- Leave the shelves in place so that children may not easily climb inside.



Important information to know about disposal of refrigerants:

Dispose of refrigerator in accordance with Federal and Local regulations. Refrigerants must be evacuated by a licensed, EPA certified refrigerant technician in accordance with established procedures.

INSTALLATION INSTRUCTIONS

Unpack the Refrigerator

! WARNING

Excessive Weight Hazard

Use two or more people to move and install refrigerator.

Failure to do so can result in back or other injury.

When Moving Your Refrigerator:

Your refrigerator is heavy. When moving the refrigerator for cleaning or service, be sure to cover the floor with cardboard or hardboard to avoid floor damage. Always pull the refrigerator straight out when moving it. Do not wiggle or “walk” the refrigerator when trying to move it, as floor damage could occur.

Remove the Packaging

- Remove tape and glue residue from surfaces before turning on the refrigerator. Rub a small amount of liquid dish soap over the adhesive with your fingers. Wipe with warm water and dry.
- Do not use sharp instruments, rubbing alcohol, flammable fluids, or abrasive cleaners to remove tape or glue. These products can damage the surface of your refrigerator. For more information, see “Refrigerator Safety.”
- Dispose of/recycle all packaging materials.

Clean Before Using

After you remove all of the packaging materials, clean the inside of your refrigerator before using it. See the cleaning instructions in “Refrigerator Care.”

Important information to know about glass shelves and covers:

Do not clean glass shelves or covers with warm water when they are cold. Shelves and covers may break if exposed to sudden temperature changes or impact, such as bumping. Tempered glass is designed to shatter into many small, pebble-size pieces. This is normal. Glass shelves and covers are heavy. Use both hands when removing them to avoid dropping.

Remove and Replace Refrigerator Doors

NOTE: Measure the width of your door opening, to see whether or not you need to remove the refrigerator doors to move the refrigerator into your home. If door removal is necessary, see the following instructions.

IMPORTANT: If the refrigerator was previously installed and you are moving it out of the home, before you begin, turn the refrigerator control OFF. Unplug the refrigerator or disconnect power. Remove food and adjustable door or utility bins from doors.

Gather the required tools and read all instructions before removing doors.

TOOLS NEEDED: 3/16" hex key wrench and a #2 Phillips screwdriver



⚠ WARNING

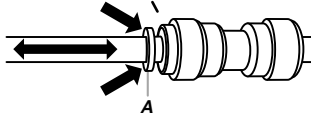
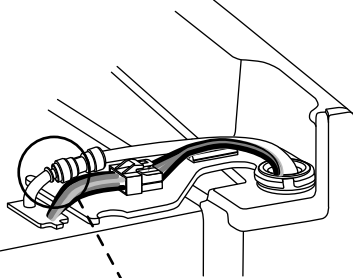
Electrical Shock Hazard

Disconnect power before removing doors.

Failure to do so can result in death or electrical shock.

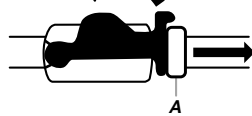
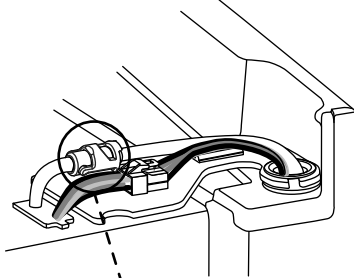
Door Removal and Replacement

Style 1 – Water Dispenser Tubing Connection



A. Outer Ring

Style 2 – Water Dispenser Tubing Connection

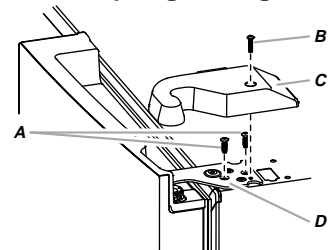


A. Outer Ring

Door Removal

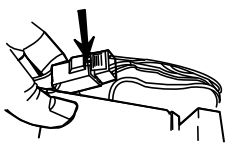


Top Right Hinge

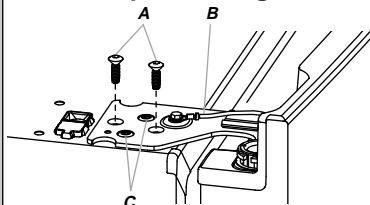


- A. 3/16" Internal Hex-Head Screws
- B. Hinge Cover Screw
- C. Top Hinge Cover
- D. Top Hinge

Wiring Plug



Top Left Hinge



- A. 3/16" Internal Hex-Head Screws
- B. Ground Wire (Do Not Remove)
- C. Do Not Remove Screws

Remove Right-Hand Refrigerator Door

⚠ WARNING



Electrical Shock Hazard

Disconnect power before removing doors.

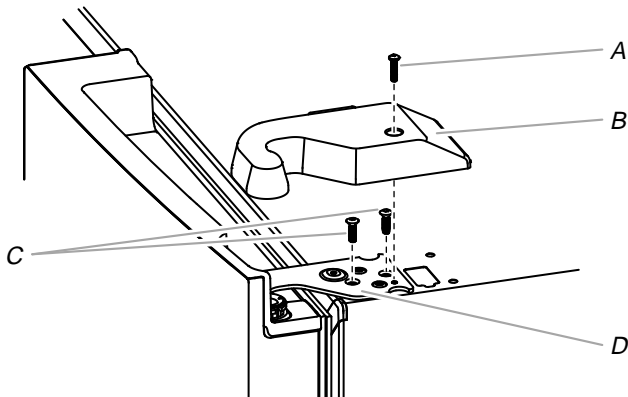
Failure to do so can result in death or electrical shock.

1. Unplug refrigerator or disconnect power.
2. Keep the refrigerator doors closed until you are ready to lift them free from the cabinet.

NOTE: Provide additional support for the refrigerator door while the hinges are being removed. Do not depend on the door gasket magnets to hold the door in place while you are working.

3. Using a Phillips screwdriver, remove the cover from the Top Hinge.
4. Using the $\frac{3}{16}$ " hex key wrench, remove the two internal hex head screws from the top hinge, and set aside.

NOTE: Do not remove the two locator screws. These screws will help you align the hinge when you replace the door.



A. Top hinge cover screw
B. Top hinge cover

C. $\frac{3}{16}$ " Internal hex head screws
D. Top hinge

⚠ WARNING

Excessive Weight Hazard

Use two or more people to lift the refrigerator door.

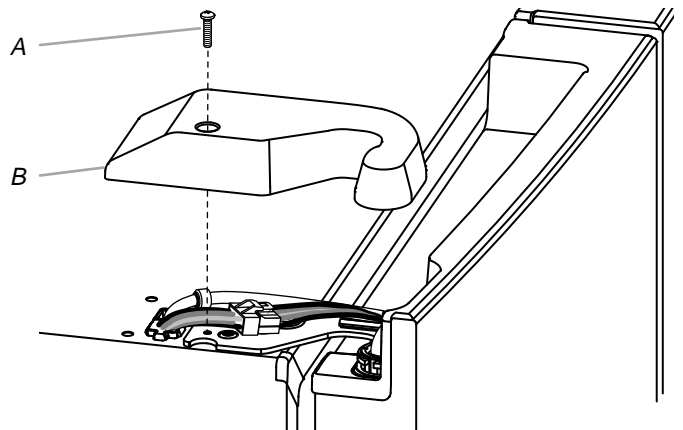
Failure to do so can result in back or other injury.

5. Lift the refrigerator door from the bottom hinge pin. The top hinge will come away with the door.

Remove Left-Hand Refrigerator Door

IMPORTANT: The tubing and wiring for the water dispenser run through the left-hand door hinge, so they must be disconnected before removing the door.

1. Using a Phillips screwdriver, remove the cover from the top hinge.



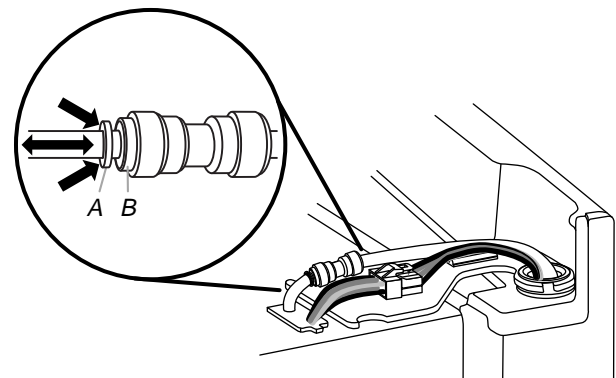
A. Top hinge cover screw

B. Top hinge cover

2. Disconnect the water dispenser tubing located on top of the door hinge.

Style 1 - Press the outer ring against the face of the fitting and gently pull the dispenser tubing free.

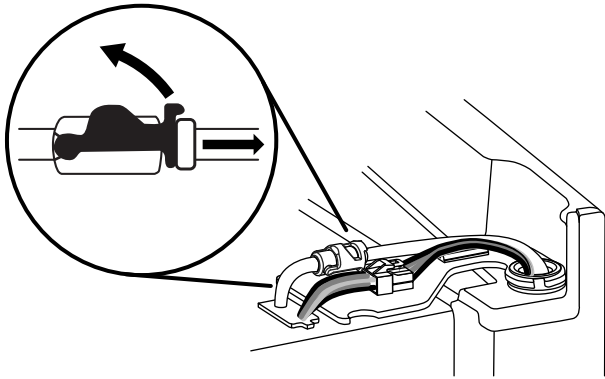
NOTE: The water dispenser tubing remains attached to the left-hand refrigerator door.



A. Outer ring
B. Face of fitting

Style 2 - Firmly pull up on the clasp. Then, pull the tubing out of the fitting.

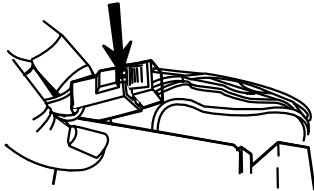
NOTE: The water dispenser tubing remains attached to the left-hand refrigerator door.



3. Disconnect the wiring plug located on top of the door hinge.

- Grasp each side of the wiring plug. With your left thumb, press down to release the catch and pull the sections of the plug apart.

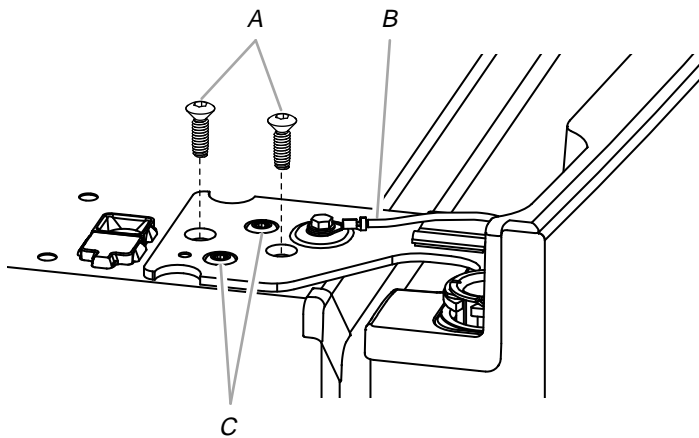
NOTE: Do not remove the green, ground wire. It should remain attached to the door hinge.



4. Using the $\frac{3}{16}$ " hex key wrench, remove the two internal hex head screws from the top hinge, and set aside.

NOTES:

- Provide additional support for the refrigerator door while the hinges are being removed. Do not depend on the door gasket magnets to hold the door in place while you are working.
- Do not remove the two locator screws. These screws will help you align the hinge when you replace the door.



A. $\frac{3}{16}$ " Internal hex head screws
B. Ground wire (do not remove)

C. Locator screws (do not remove)

5. Lift the refrigerator door from the bottom hinge pin. The top hinge will come away with the door.

NOTE: It may not be necessary to remove the bottom hinges and brake feet assemblies to move the refrigerator through a doorway.

- Only if necessary, use a driver with a #2 square bit tip to remove the bottom hinges and a $\frac{3}{8}$ " nut driver to remove the brake feet screws.

Replace Right-Hand Refrigerator Door

1. Set the right-hand door onto the bottom hinge pin.
2. Insert the top hinge pin into the open hole in the top of the refrigerator door.
3. Using the two $\frac{3}{16}$ " internal hex head screws, fasten the hinge to the cabinet. Do not tighten the screws completely.

Replace Left-Hand Refrigerator Door

IMPORTANT: Do not intertwine the water tubing and wiring bundles when reconnecting them.

1. Set the left-hand door onto the bottom hinge pin.
2. Using the two $\frac{3}{16}$ " internal hex head screws, fasten the hinge to the cabinet. Do not tighten the screws completely.
3. Reconnect the water dispenser tubing.

Style 1 - Insert the tubing into the fitting until it stops and the outer ring is touching the face of fitting.

Style 2 - Insert the tubing firmly into the fitting until it stops. Close the clasp around the tubing. The clasp snaps into place between the fitting and the collar.

4. Reconnect the electrical wiring.

- Push together the two sections of the wiring plug.

Final Steps

1. Completely tighten the four internal hex head screws (two on the right-hand door hinge and two on the left-hand door hinge).
2. Replace both top hinge covers.

Remove and Replace Drawer Fronts

Depending on the width of your door opening, it may be necessary to remove the drawer fronts to move the refrigerator into your home.

IMPORTANT:

- If the refrigerator was previously installed and you are moving it out of the home, before you begin, turn the refrigerator control OFF, and unplug the refrigerator or disconnect power. Remove food from the drawers.
- Two people may be required to remove and replace the drawer fronts.

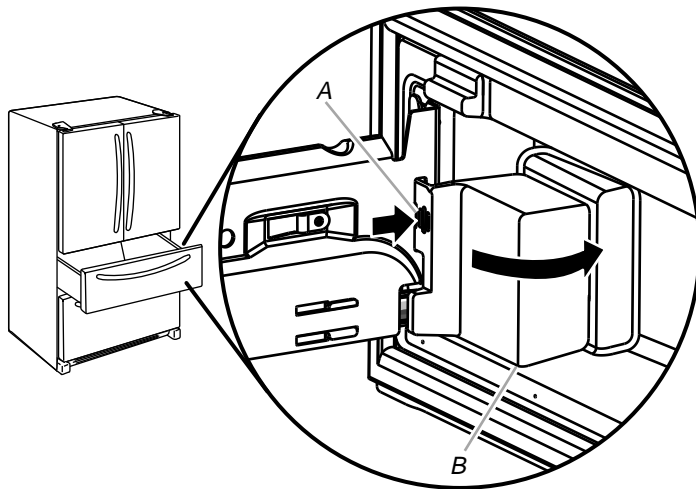
Tools Needed: ¼" Hex head nut driver, Flat-blade screwdriver

Refrigerated Drawer

Disconnect Wiring

NOTES:

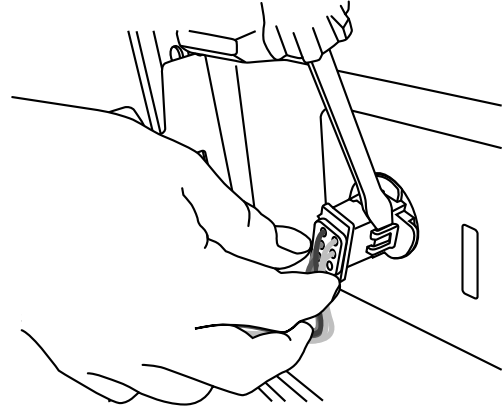
- The exterior refrigerator drawer front is connected to the temperature control. Before removing the drawer front, the wires must be disconnected from the temperature control.
 - The gray cable visible behind and under the pantry drawer at the right side contains wiring for the pantry control and moves with the drawer as it is pulled out. There is no need to disconnect this cable.
1. Open the drawer to its full extension, and remove the large interior bin.
 2. Locate the wiring cover on the backside of the drawer front. Press tab on the cover to release the snaps, and pull off cover to reveal the wiring connection.



A. Press tab

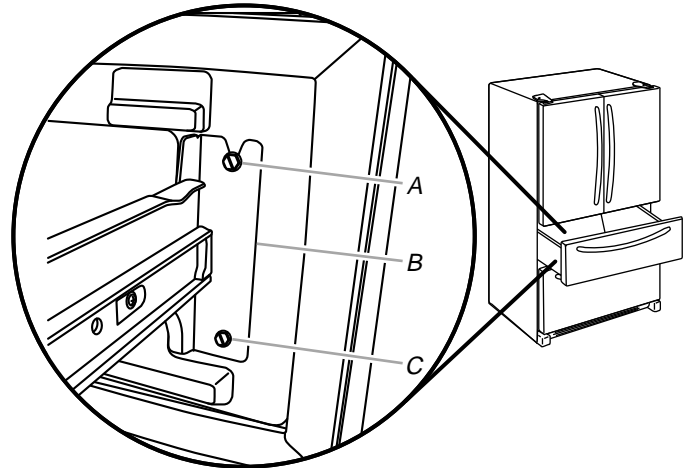
B. Wiring connection cover

3. On one side of the wiring connector, insert the screwdriver blade between the connector tab and the connector to release. Repeat for the opposite side. Pull the wiring connector apart.



Remove Drawer Front

1. Using a ¼" hex head nut driver, remove the two bottom screws (one on each side) attaching the drawer front to the drawer glides.
2. Using ¼" hex head nut driver, loosen the two top screws (one on each side) attaching the drawer front to the drawer glides.
NOTE: Loosen the screws three to four turns. Keep the screws in the drawer front.
3. Lift the drawer front up and off the drawer glide brackets.



A. Loosen top screws

B. Drawer glide bracket

C. Remove bottom screws

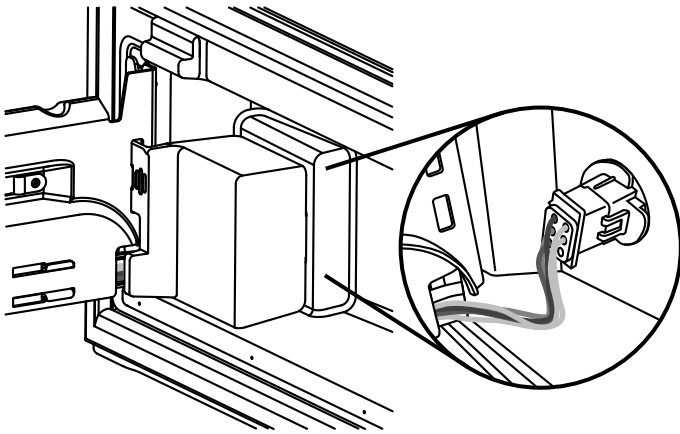
4. Slide the drawer glides back into the refrigerator.

Replace Drawer Front

1. Pull out the drawer glides until they are fully extended.
2. Lower the loosened screws in the top of the drawer front into the upper notches in the drawer glides.
NOTE: It helps if one person holds the drawer glides steady while another person aligns the drawer front and inserts the screws into the notches.
3. Align the holes in the bottom of the drawer front with the holes in the bottom of the drawer glides and fasten with the screws removed earlier.
4. Tighten the two top screws.

Reconnect Wiring

1. Align the two ends of the wiring connector and push them together until you hear a “click” sound and feel the tabs snap into place on the connector.
2. Gently pull on the wiring connection to ensure the wiring connection is completely seated. Replace the wiring cover.
NOTE: The wiring connection must be complete for the drawer temperature control to operate.

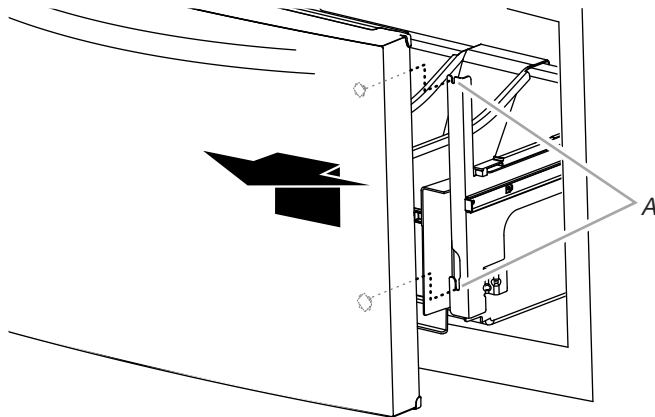


3. Replace the interior bin.

Freezer Drawer

Remove Drawer Front

1. Open the freezer drawer to its full extension.
2. Loosen the two top screws that fasten the drawer front to the drawer glides. The two screws (one on the left-hand side and one on the right-hand side) are located inside the drawer front.
3. Lift up on the drawer front to release the plastic studs from the drawer glide bracket slots.

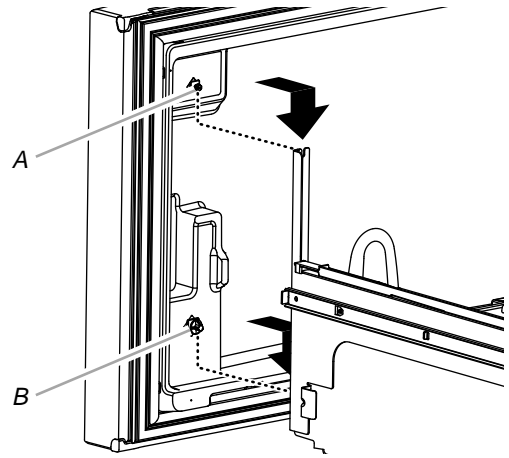


A. Drawer glide bracket slots

4. Slide the drawer glides back into the freezer.

Replace Drawer Front

1. Pull out the freezer drawer glides to their full extension.
2. Holding the drawer front by its sides, align the two plastic studs, located at the bottom, inside the drawer front, with the drawer glide bracket slots.
NOTE: It helps if one person holds the drawer glides steady while another person aligns the drawer front and inserts the studs into the slots.



A. Drawer front screw
B. Drawer front plastic stud

3. Replace and tighten the two screws at the top of the drawer front (one on the left-hand side and one on the right-hand side).

Final Steps

⚠ WARNING



Electrical Shock Hazard

Plug into a grounded 3 prong outlet.

Do not remove ground prong.

Do not use an adapter.

Do not use an extension cord.

Failure to follow these instructions can result in death, fire, or electrical shock.

1. Plug into a grounded 3 prong outlet.
2. Reset the controls. See “Using the Control(s)” and “Temperature Controlled Exterior Drawer.”
3. Return all removable parts and the food to the drawers.

Location Requirements

⚠ WARNING



Explosion Hazard

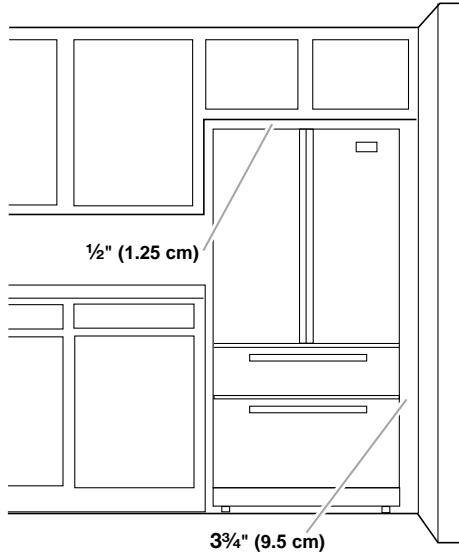
Keep flammable materials and vapors, such as gasoline, away from refrigerator.

Failure to do so can result in death, explosion, or fire.

IMPORTANT: This refrigerator is designed for indoor, household use only.

To ensure proper ventilation for your refrigerator, allow for a ½" (1.25 cm) of space on each side and at the top. Allow for a 1" (2.54 cm) space behind the refrigerator. If your refrigerator has an ice maker, allow extra space at the back for the water line connections. When installing your refrigerator next to a fixed wall, leave a ¾" (9.5 cm) minimum space between the refrigerator and wall to allow the door to swing open.

NOTE: This refrigerator is intended for use in a location where the temperature ranges from a minimum of 55°F (13°C) to a maximum of 110°F (43°C). The preferred room temperature range for optimum performance, which reduces electricity usage and provides superior cooling, is between 60°F (15°C) and 90°F (32°C). It is recommended that you do not install the refrigerator near a heat source, such as an oven or radiator.



Electrical Requirements

⚠ WARNING



Electrical Shock Hazard

Plug into a grounded 3 prong outlet.

Do not remove ground prong.

Do not use an adapter.

Do not use an extension cord.

Failure to follow these instructions can result in death, fire, or electrical shock.

Before you move your refrigerator into its final location, it is important to make sure you have the proper electrical connection.

Recommended Grounding Method

A 115 volt, 60 Hz, AC only 15- or 20-amp fused, grounded electrical supply is required. It is recommended that a separate circuit serving only your refrigerator be provided. Use an outlet that cannot be turned off by a switch. Do not use an extension cord.

NOTE: Before performing any type of installation, cleaning, or removing a light bulb, turn Cooling OFF, and then disconnect the refrigerator from the electrical source. When you have finished, reconnect the refrigerator to the electrical source and turn Cooling ON. See "Using the Control(s)."

Water Supply Requirements

A cold water supply with water pressure between 35 and 120 psi (241 and 827 kPa) is required to operate the water dispenser and ice maker. If you have questions about your water pressure, call a licensed, qualified plumber.

NOTE: If the water pressure is less than what is required, the flow of water from the water dispenser could decrease or ice cubes could be hollow or irregular shaped.

Reverse Osmosis Water Supply

IMPORTANT: The pressure of the water supply coming out of a reverse osmosis system going to the water inlet valve of the refrigerator needs to be between 35 and 120 psi (241 and 827 kPa).

If a reverse osmosis water filtration system is connected to your cold water supply, the water pressure to the reverse osmosis system needs to be a minimum of 40 to 60 psi (276 to 414 kPa).

- Check to see whether the sediment filter in the reverse osmosis system is blocked. Replace the filter if necessary.
- Allow the storage tank on the reverse osmosis system to refill after heavy use. The tank capacity could be too small to keep up with the requirements of the refrigerator.
NOTE: Faucet mounted reverse osmosis systems are not recommended.
- If your refrigerator has a water filter, it may further reduce the water pressure when used in conjunction with a reverse osmosis system. Remove the water filter. See "Water Filtration System."

If you have questions about your water pressure, call a licensed, qualified plumber.

Connect the Water Supply

Read all directions before you begin.

IMPORTANT:

- Plumbing shall be installed in accordance with the International Plumbing Code and any local codes and ordinances.
- The gray water tubing on the back of the refrigerator (which is used to connect to the household water line) is a PEX (cross-linked polyethylene) tube. Copper and PEX tubing connections from the household water line to the refrigerator are acceptable, and will help avoid off-taste or odor in your ice or water. Check for leaks.

If PEX tubing is used instead of copper, we recommend the following Whirlpool Part Numbers:

W10505928RP (7 ft [2.14 m] jacketed PEX),
8212547RP (5 ft [1.52 m] PEX), or
W10267701RP (25 ft [7.62 m] PEX).

- Install tubing only in areas where temperatures will remain above freezing.

TOOLS NEEDED:

Gather the required tools and parts before starting installation.

- Flat-blade screwdriver
- $\frac{7}{16}$ " and $\frac{1}{2}$ " open-end wrenches or two adjustable wrenches
- $\frac{1}{4}$ " nut driver

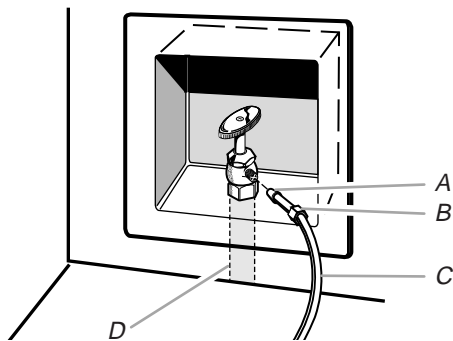
NOTE: Do not use a piercing-type or $\frac{3}{16}$ " (4.76 mm) saddle valve which reduces water flow and clogs easier.

Connect to Water Line

IMPORTANT: If you turn the refrigerator on before the water is connected, turn the ice maker OFF.

1. Unplug refrigerator or disconnect power.
2. Turn OFF main water supply. Turn ON nearest faucet long enough to clear line of water.
3. Use a quarter-turn shutoff valve or the equivalent, served by a $\frac{1}{2}$ " household supply line.

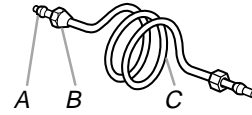
NOTE: To allow sufficient water flow to the refrigerator, a minimum $\frac{1}{2}$ " size household supply line is recommended.



A. Sleeve
B. Nut
C. Copper tubing (to refrigerator)
D. Household supply line ($\frac{1}{2}$ " minimum)

4. Now you are ready to connect the copper tubing to the shutoff valve. Use $\frac{1}{4}$ " (6.35 mm) OD soft copper tubing to connect the shutoff valve and the refrigerator.
 - Ensure that you have the proper length needed for the job. Be sure both ends of the copper tubing are cut square.

- Slip compression sleeve and compression nut onto copper tubing as shown. Insert end of tubing into outlet end squarely as far as it will go. Screw compression nut onto outlet end with adjustable wrench. Do not overtighten.



A. Compression sleeve
B. Compression nut
C. Copper tubing

5. Place the free end of the tubing into a container or sink, and turn on main water supply to flush out tubing until water is clear. Turn off shutoff valve on the water pipe.

NOTE: Always drain the water line before making the final connection to the inlet of the water valve, to avoid possible water valve malfunction.

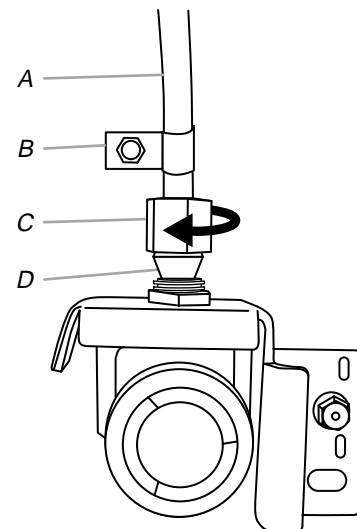
6. Bend the copper tubing to meet the water line inlet, which is located on the back of the refrigerator cabinet as shown. Leave a coil of copper tubing to allow the refrigerator to be pulled out of the cabinet or away from the wall for service.

Connect to Refrigerator

Follow the connection instructions specific to your model.

Style 1

1. Remove plastic cap from water valve inlet port. Attach the copper tube to the valve inlet using a compression nut and sleeve as shown. Tighten the compression nut. Do not overtighten. Confirm copper tubing is secure by pulling on copper tubing.
2. Create a service loop with the copper tubing. Avoid kinks when coiling the copper tubing. Secure copper tubing to refrigerator cabinet with a "P" clamp.



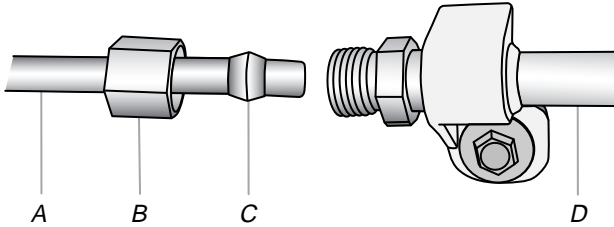
A. Copper tubing
B. "P" clamp
C. Compression nut
D. Compression sleeve

3. Turn on water supply to refrigerator and check for leaks. Correct any leaks.

Style 2

1. Unplug refrigerator or disconnect power.
2. Remove and discard the short, black plastic part from the end of the water line inlet.
3. Thread the nut onto the end of the tubing. Tighten the nut by hand. Then tighten it with a wrench two more turns. Do not overtighten.

NOTE: To avoid rattling, be sure the copper tubing does not touch the cabinet's side wall or other parts inside the cabinet.



A. Household water line
B. Nut (purchased)
C. Ferrule (purchased)
D. Refrigerator water tubing

4. Install the water supply tube clamp around the water supply line to reduce strain on the coupling.
5. Turn shutoff valve ON.
6. Check for leaks. Tighten any connections (including connections at the valve) or nuts that leak.
7. On some models, the ice maker is equipped with a built-in water strainer. If your water conditions require a second water strainer, install it in the 1/4" (6.35 mm) water line at either tube connection. Obtain a water strainer from your appliance dealer.

Complete the Installation

⚠ WARNING



Electrical Shock Hazard

Plug into a grounded 3 prong outlet.
Do not remove ground prong.
Do not use an adapter.
Do not use an extension cord.
Failure to follow these instructions can result in death, fire, or electrical shock.

1. Plug into a grounded 3 prong outlet.
2. Flush the water system. See "Water and Ice Dispensers."

NOTE: Allow 24 hours to produce the first batch of ice. Discard the first three batches of ice produced. Allow 3 days to completely fill the ice storage bin.

Handle Installation and Removal

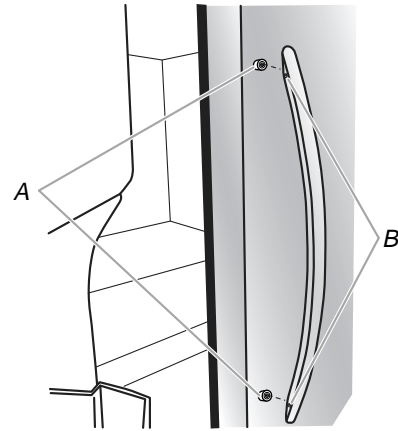
Parts Included: Refrigerator door handles (2), Refrigerator drawer handle (1), Freezer drawer handle (1), 1/8" hex key, spare setscrew(s)

Install Handles

Refrigerator Doors

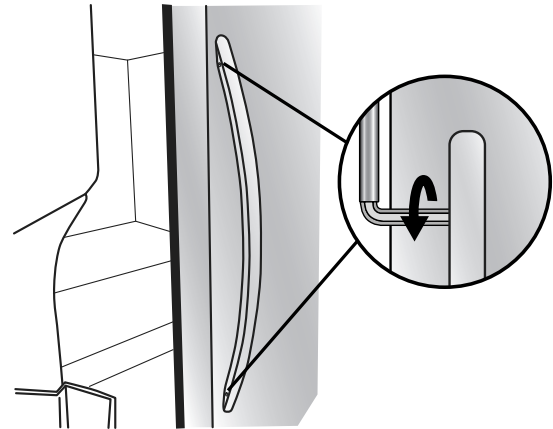
NOTE: Handle mounting setscrews are preinstalled inside the handle.

1. Remove the handles from the packaging inside the refrigerator, and place them on a soft surface.
2. Open a refrigerator compartment door. On the closed door, place a handle onto the shoulder screws so that the setscrews are facing the adjacent door.



A. Shoulder screws
B. Setscrews inside the handle

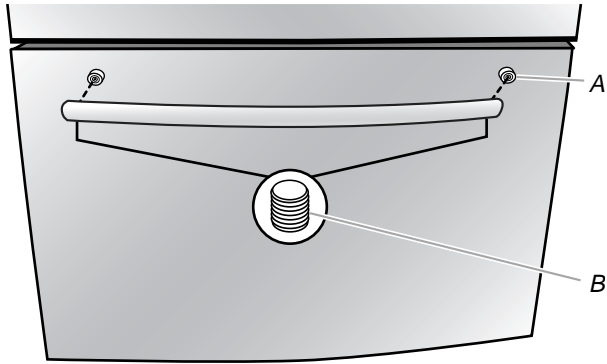
3. Firmly push the handle toward the door until the handle base is flush against the door.
4. While holding the handle, insert the short end of the hex key into the upper hole and slightly rotate the hex key until it is engaged in the setscrew.



5. Using a clockwise motion tighten the setscrew just until it begins to contact the shoulder screw. Do not fully tighten.
6. Repeat steps 4 and 5 to fasten the lower setscrew.
7. Once both setscrews have been partially tightened as instructed in the previous steps, fully tighten both setscrews.
IMPORTANT: When the screws feel tight, tighten them an additional quarter-turn. The handle is not properly installed without this extra tightening.
8. Repeat steps 2 through 7 to install the other handle onto the adjacent refrigerator door.

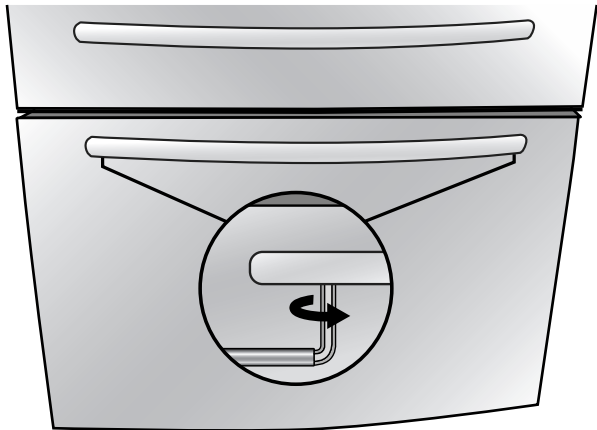
Refrigerator and Freezer Drawers

1. With the drawer closed, place the handle onto the shoulder screws so that the setscrews are facing down toward the floor.



A. Shoulder screw
B. Setscrews inside the handle

2. Firmly push the handle toward the drawer until the handle base is flush against the drawer.
3. Insert the short end of the hex key into the left-hand hole and slightly rotate the hex key until it is engaged in the setscrew.



4. Using a left to right motion tighten the setscrew a quarter-turn at a time just until it begins to contact the shoulder screw. Do not fully tighten.
5. Repeat steps 11 and 12 to fasten the right-hand setscrew to the shoulder screw.
6. Once both setscrews have been partially tightened as instructed in the previous steps, fully tighten both setscrews.
IMPORTANT: When the screws feel tight, tighten them an additional quarter-turn. The handle is not properly installed without this extra tightening.
7. Save the hex key and all instructions.

Remove the Handles

1. While holding the handle, insert the short end of the hex key into a setscrew hole and slightly rotate the hex key until it is engaged in the setscrew.
2. Using a right to left motion loosen the setscrew a quarter-turn at a time.
3. Repeat steps 1 and 2 for the other setscrew. Slowly pull the handle away from the door or drawer.
4. If necessary, use a Phillips screwdriver to remove the shoulder screws from the door.

Refrigerator Leveling, Door Closing and Alignment

The base grille covers the adjustable brake feet and roller assemblies located at the bottom of the refrigerator below the freezer drawer. Before making any adjustments, remove the base grille and move the refrigerator to its final location.

Tools Needed: ¼" hex nut driver

Tools Provided: ⅛" hex key wrench

1. Remove the base grille. Using both hands, grasp the grille firmly and pull it toward you. Open the freezer drawer to access the brake feet.

NOTE: To allow the refrigerator to roll easier, raise the brake feet by turning them counterclockwise. The front rollers will be touching the floor.



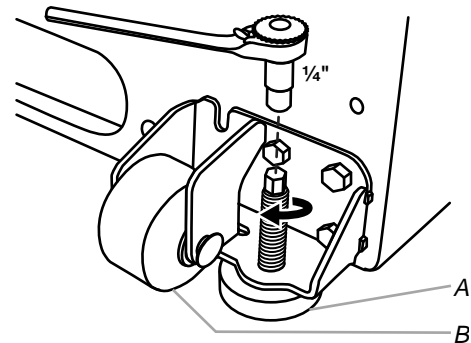
2. Move the refrigerator to its final location.
3. Using the ¼" hex nut driver, lower the brake feet. Turn them clockwise, until the rollers are off the floor and both brake feet are snug against the floor. This keeps the refrigerator from rolling forward when opening the refrigerator doors or freezer drawer.
IMPORTANT: If you need to make further adjustments involving the brake feet, you must turn both brake feet the same amount to keep the refrigerator level.
4. Make sure the doors close easily. If you are satisfied with the door opening and closing, skip the next section and go to "Align the Doors." If, however, the doors do not close easily or the doors pop open, adjust the tilt.

To Adjust the Cabinet Tilt:

- Open the freezer drawer. Use a ¼" hex nut driver to turn both brake feet clockwise the same amount. This will raise the front of the refrigerator. It may take several turns to allow the doors to close easier.

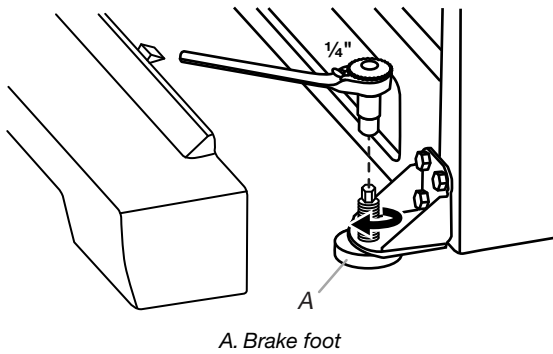
NOTE: Having someone push against the top of the refrigerator takes some weight off the brake feet. This makes it easier to turn them.

Style 1



A. Brake foot
B. Front roller

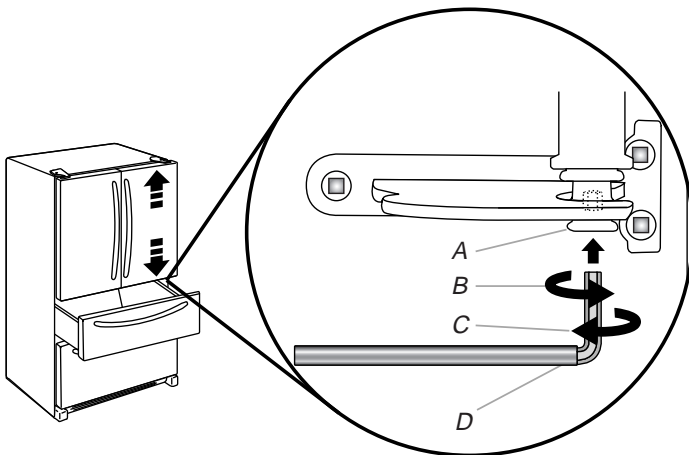
Style 2



5. Make sure the doors are even at the top and that the space between the bottom of the refrigerator doors and the top of the freezer drawer is even. If necessary, align the doors.

To Align the Doors:

- Keeping both refrigerator doors closed, pull out the refrigerated drawer. Locate the bottom hinge pin of the right-hand refrigerator door. The alignment screw is inside the bottom hinge pin.



- A. Bottom hinge pin
 B. Turn to the right to raise.
 C. Turn to the left to lower.
 D. 1/8" Hex key wrench

- Insert the short end of the 1/8" hex key wrench (packed with the Door Handle Installation Instructions) into the bottom hinge pin until it is fully engaged in the alignment screw.
 To raise the door, turn the hex key to the right.
 To lower the door, turn the hex key to the left.
 - Continue to turn the alignment screw until the doors are aligned.
6. Make sure the refrigerator is steady. If the refrigerator seems unsteady or rolls forward when a door or drawer is pulled open, adjust the brake feet.

To Steady the Refrigerator:

- Open the freezer drawer. Using a 1/4" hex driver, turn both brake feet clockwise the same amount until the brake feet are snug against the floor. Check again. If not satisfied, continue to adjust the brake feet by half turns of the screw until the refrigerator does not roll forward when the drawer is opened.

NOTE: Having someone push against the top of the refrigerator takes some weight off the brake feet. This makes it easier to turn the screws.

7. Replace the base grille by aligning the ends of the grille with the leveling assemblies on each side and snapping the grille into place.

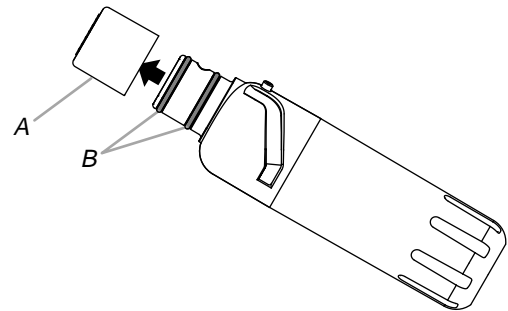
FILTERS AND ACCESSORIES

Water Filtration System

Do not use with water that is microbiologically unsafe or of unknown quality without adequate disinfection before or after the system. Systems certified for cyst reduction may be used on disinfected waters that may contain filterable cysts.

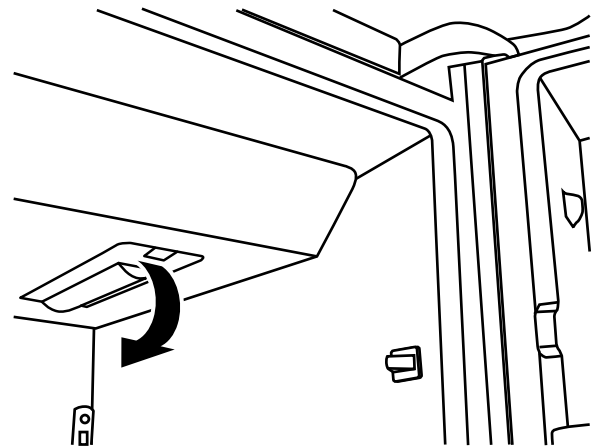
Install the Water Filter

1. Locate the accessory packet in the refrigerator and remove the water filter.
2. Take the water filter out of its packaging and remove the cover from the O-rings. Be sure the O-rings are still in place after the cover is removed.



- A. O-ring cover
 B. O-rings

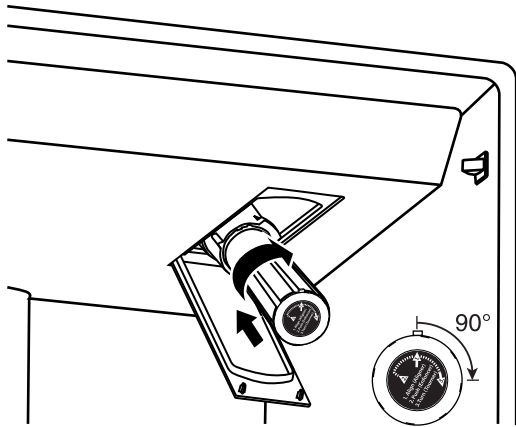
3. The water filter compartment is located in the right-hand side of the refrigerator ceiling. Push up on the compartment door to release the catch, then lower the door.



4. Align the arrow on the water filter label with the cutout notch in the filter housing and insert the filter into the housing.

- Turn the filter clockwise 90 degrees (¼ turn), until it locks into the housing.

NOTE: If the filter is not correctly locked into the housing, the water dispenser will not operate. Water will not flow from the dispenser.



- While the compartment door is still open, lift the filter up into the compartment. Then, close the filter compartment door completely.
- Flush the water system. See “Flushing the Water Filter” in the “Water and Ice Dispensers” section.

IMPORTANT: If you do not flush the water system, you may experience dripping and/or decreased flow from the water dispenser.

The Water Filter Status Light

Press **OPTIONS** on the control panel to launch the Options menu. Press **OPTIONS**, under Filter Status, again to display the percentage of filter life remaining (from 99% to 0%). Press **ICE/WATER**, under Back, to return to the Normal screen.

The water filter status lights will help you know when to change your water filter.

- ORDER FILTER** (yellow) - it is almost time to change the water filter. While you are dispensing water, “Order Filter” will blink seven times and sound an alert tone three times.
- REPLACE FILTER** (red) - Replace the water filter. While you are dispensing water, “Replace Filter” will blink seven times and an alert tone will sound three times.
- RESET** the water filter status tracking feature. After you replace the disposable filter with a new filter, closing the filter compartment door will automatically reset the filter status tracking feature. See “Using the Control(s).”

NOTE: “REPLACE FILTER” will remain illuminated if a filter is not installed or is installed incorrectly.

Replace the Water Filter

To purchase a replacement water filter, see “Accessories” in the User Guide, Use and Care Guide or User Instructions.

Replace the disposable water filter when indicated on the water filter status display or at least every 6 months. If water flow to your dispenser or ice maker decreases noticeably, change the water filter sooner.

- Locate the water filter compartment in the right-hand side of the refrigerator ceiling. Push up to release and lower the compartment door.

- Turn the water filter counterclockwise (to the left), and pull it straight out of the compartment.

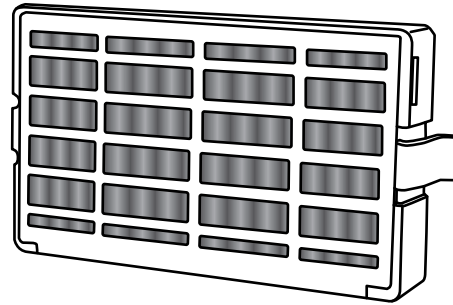
NOTE: There may be some water in the filter. Some spilling may occur. Use a towel to wipe up any spills.

- Install the replacement water filter by following steps 2 through 7 in the “Install the Water Filter” section.

Install Air Filter (on some models)

An air filter is 15 times more powerful than baking soda at reducing common food odors inside the refrigerator.

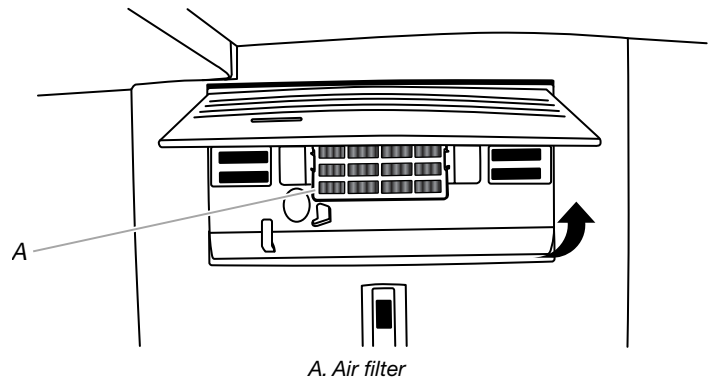
On some models, your refrigerator's accessory packet includes an air filter, which must be installed prior to use.



Installing the Air Filter

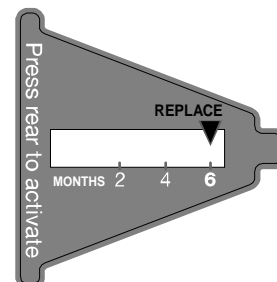
Install the air filter behind the vented door, located on the rear wall near the top of the refrigerator compartment.

- Remove the air filter from its packaging.
- Lift open the vented door.
- Snap the filter into place.



Installing the Filter Status Indicator

The filter comes with a status indicator, which should be activated and installed at the same time the air filter is installed.



- Place the indicator face-down on a firm, flat surface.
- Apply pressure to the bubble on the back of the indicator until the bubble pops to activate the indicator.

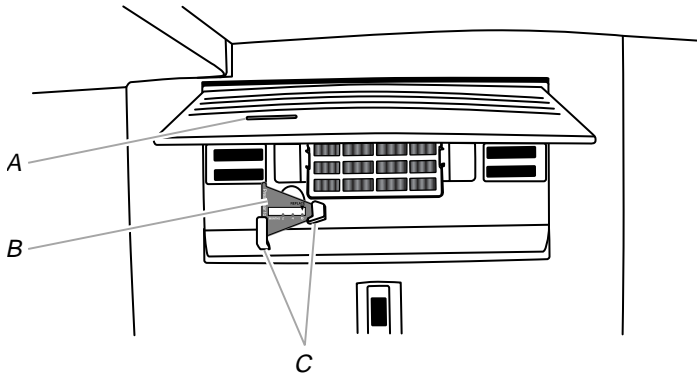
- Lift open the vented air filter door. On some models, there are notches behind the door.

Models with notches:

- With the indicator screen facing outward, slide the indicator down into the notches.

NOTE: The indicator will not easily slide into the notches if the bubble has not been popped.

- Close the air filter door, and check that the indicator is visible through the window in the door.



A. Status indicator window
B. Air filter status indicator
C. Notches

Models without notches:

- Place the indicator somewhere it is easily visible - either inside the refrigerator, or elsewhere in your kitchen or home.

Replacing the Air Filter

The disposable air filter should be replaced every 6 months, when the status indicator has completely changed from white to red.

To order a replacement air filter, contact us. See “Accessories” in the User Guide, Use and Care Guide or User Instructions for information on ordering.

- Remove the used air filter by squeezing in on the side tabs.
- Remove the used status indicator.
- Install the new air filter and filter status indicator using the instructions in the previous sections.

Accessories

The following accessories are available for your refrigerator. To order an accessory, contact us and ask for the Part Number.

In the U.S.A., visit our webpage www.whirlpool.com/accessories or call 1-800-901-2042.

In Canada, visit our webpage www.whirlpoolparts.ca or call 1-800-807-6777.

affresh® Stainless Steel Cleaner:

In U.S.A., order Part #W10355016

In Canada, order Part #W10355016B

affresh® Stainless Steel Wipes:

In U.S.A., order Part #W10355049

In Canada, order Part #W10355049B

affresh® Kitchen & Appliance Cleaner:

In U.S.A., order Part #W10355010

In Canada, order Part #W10355010B

Water Filter:

Order Part #W10413645A or FILTER2

Air Filter:

Order Part #W10311524 or AIR1

Produce Preserver Starter kit:

Order Part #P1UB6S1

Produce Preserver Refill kit:

Order Part #P1KC6R1

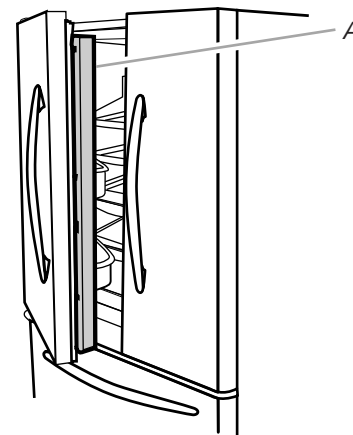
REFRIGERATOR USE

Opening and Closing Doors

There are two refrigerator compartment doors. The doors can be opened and closed either separately or together.

There is a vertically-hinged seal on the left refrigerator door.

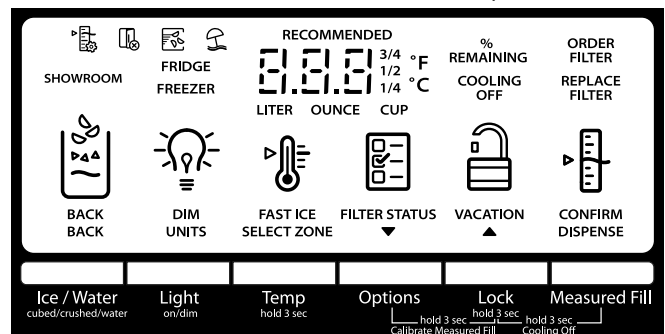
- When the left side door is opened, the hinged seal automatically folds inward so that it is out of the way.
- When both doors are closed, the hinged seal automatically forms a seal between the two doors.



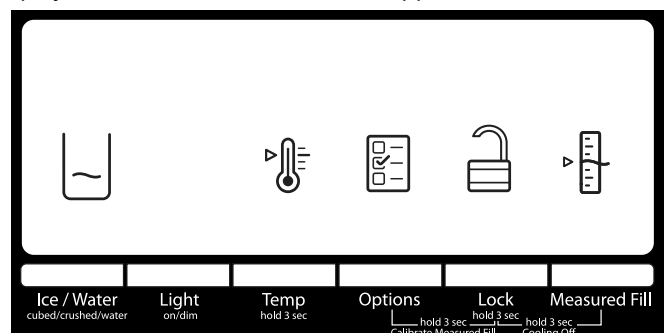
A. Hinged seal

Using the Controls

The controls are located above the external dispenser.



IMPORTANT: The display screen on the dispenser control panel will turn off automatically and enter “sleep” mode when the control buttons and dispenser paddles have not been used for 2 minutes or more. Press any control button to reactivate the display screen. The home screen will appear as shown.



Viewing and Adjusting Temperature Set Points

For your convenience, your refrigerator and freezer controls are preset at the factory.

When you first install your refrigerator, make sure that the controls are still set to the recommended set points. The factory recommended set points are 37°F (3°C) for the refrigerator and 0°F (-18°C) for the freezer.

IMPORTANT:

- Wait 24 hours before you put food into the refrigerator. If you add food before the refrigerator has cooled completely, your food may spoil.

NOTE: Adjusting the set points to a colder than recommended setting will not cool the compartments any faster.

- If the temperature is too warm or too cold in the refrigerator or freezer, first check the air vents to be sure they are not blocked before adjusting the controls.
- The recommended settings should be correct for normal household use. The controls are set correctly when milk or juice is as cold as you like and when ice cream is firm.

NOTE: Areas such as a garage, basement or porch, may have higher humidity or extreme temperatures. You may need to adjust the temperature away from the recommended settings to accommodate for these conditions.

- Wait at least 24 hours between adjustments. Recheck the temperatures before other adjustments are made.

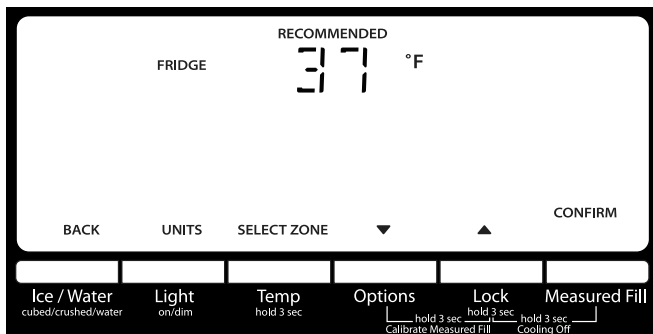
View Temperature Set Points

1. Press and hold TEMP for 3 seconds to activate Temperature mode.

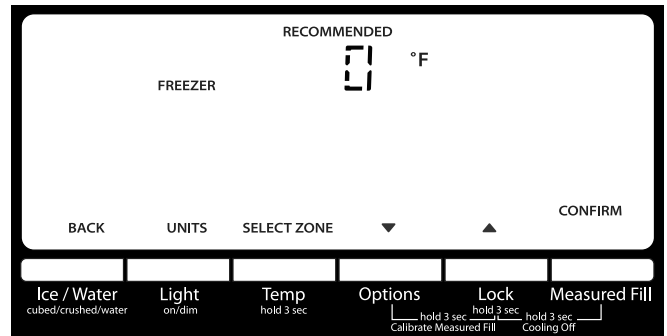
NOTE: To view temperature in degrees Celsius, press the LIGHT button, under Units, when adjust mode is activated. To return the display setting to Fahrenheit, press the LIGHT button again.

When Temperature mode is activated, press TEMP to toggle between Fridge and Freezer. The display will show the temperature set point of the selected compartment, and temperature adjusting information will appear on the display screen.

Recommended Refrigerator Temperature



Recommended Freezer Temperature



Adjust Temperature Set Points

Refrigerator set point range: 33°F to 45°F (0°C to 7°C).

Freezer set point range: -5°F to 5°F (-21°C to -15°C).

1. When Temperature mode is activated, press TEMPERATURE to select the Refrigerator zone. The display will show the temperature set point of the selected compartment, as shown.
2. Press LOCK to raise the set point, or press OPTIONS to lower the set point.
3. When you have finished viewing (and adjusting if desired) the refrigerator set point, press TEMP, under Select Zone, to change the display to show the freezer set point. When the zone has been changed, "FREEZER" appears on the display screen.
4. Press the LOCK button to raise the set point, or press the OPTIONS button to lower the set point.

Save/Confirm Temperature Settings

- When you have finished adjusting both the refrigerator and freezer set points, press MEASURED FILL to confirm and to save the settings.

NOTE: To exit Temperature mode without saving changes, press the ICE/WATER button under Back at any time, or allow about 60 seconds of inactivity. The temperature mode will turn off automatically and return to the normal screen.

When adjusting temperature set points, use the following chart as a guide:

CONDITION:	TEMPERATURE ADJUSTMENT:
REFRIGERATOR too cold	REFRIGERATOR Setting 1° higher
REFRIGERATOR too warm	REFRIGERATOR Setting 1° lower
FREEZER too cold	FREEZER Setting 1° higher
FREEZER too warm / Too little ice	FREEZER Setting 1° lower

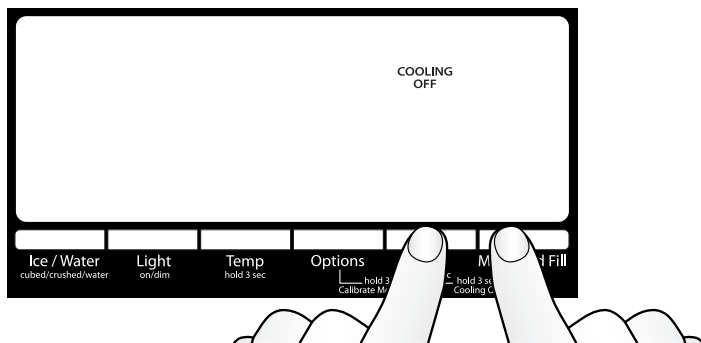
Cooling On/Off

Your refrigerator and freezer will not cool when cooling is turned off.

- To turn cooling off, press and hold the LOCK and MEASURED FILL buttons at the same time for 3 seconds. The Cooling Off icon will blink seven times and then remain lit as shown.

IMPORTANT:

- To avoid unintentionally locking the dispenser or changing other settings, press both buttons at exactly the same time.
- When cooling is off, the dispenser paddles and all controls except Lock and Measured Fill are disabled.



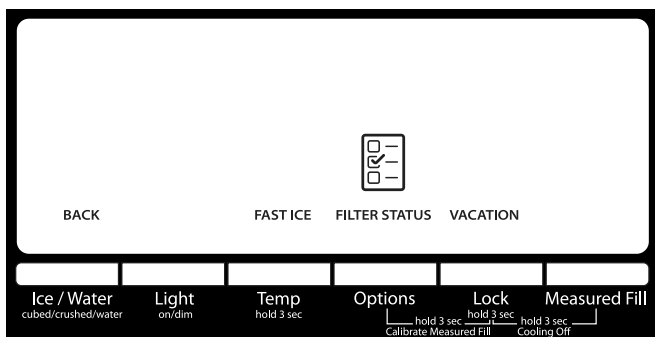
A. Press LOCK and MEASURED FILL at the same time.

- Press and hold LOCK and MEASURED FILL for 3 seconds again to turn cooling back on.

Options

Press the OPTIONS button to open the Options menu and select between Fast Ice, Filter Status or Vacation mode.

Press the ICE/WATER button at any time to return to the Normal screen.



Fast Ice

The Fast Ice feature assists with temporary periods of heavy ice use by increasing ice production.

- To turn on the Fast Ice feature, press the OPTIONS button to access the Options menu, then press TEMP, under Fast Ice to activate the feature. When the feature is on, the Fast Ice icon will appear on the dispenser display screen. The Fast Ice feature will remain on for 24 hours unless manually turned off.



- To manually turn off the Fast Ice feature, press the OPTIONS button to enter Options mode (unless you are already in Options mode), then press TEMP, under Fast Ice, again. When the feature has been turned off, the Fast Ice icon will disappear from the dispenser display.

Filter Status

Displays the percentage of use remaining in the water filter (from 100% remaining to 0% remaining).

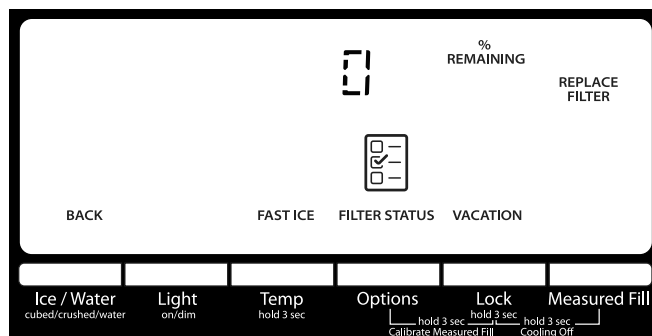
To access Filter Status, press the OPTIONS button to access the Options menu, then press OPTIONS, under Filter Status, to display the percent of life remaining in the water filter.

ALSO

The water filter status lights will let you know when to change your water filter.

- ORDER FILTER (Yellow) - Order a replacement water filter.
- REPLACE FILTER (Red) - Replace the water filter. Replacing the disposable water filter will automatically reset the water filter status tracking feature. See "Water Filtration System."

NOTE: REPLACE FILTER will remain illuminated if a filter is not installed or installed incorrectly.



Vacation Mode

In Vacation Mode, the freezer will defrost less often to conserve energy.

- To turn on Vacation mode, press the OPTIONS button to access the Options menu, then press LOCK, under Vacation, to activate the feature. When the feature is on, the Vacation icon will appear on the dispenser display screen as shown.
- To turn off Vacation Mode, press the OPTIONS button to access the Options menu, then press LOCK to turn off the feature. The Vacation icon will disappear, and the screen will display the settings as they were before Vacation Mode was turned on.



NOTES:

- During the first hour after Vacation Mode is turned on, opening and closing the refrigerator door will not affect the setting. After 1 hour has passed, opening and closing the refrigerator door will turn off Vacation Mode.
- While in Vacation Mode, if Fast Ice is turned on or the Door Ajar alarm sounds, Vacation Mode will be canceled.

Additional Features

Door Ajar Alarm

The Door Ajar Alarm feature sounds an alarm when the refrigerator door(s) or freezer drawer is open for 5 minutes and cooling is turned on. The alarm will repeat every 2 minutes. Close all doors and drawer to turn it off. The feature then is reset and will reactivate when either door is left open again for 5 minutes.

- **NOTE:** To mute the audible alarm while keeping the doors open, such as while cleaning the inside of the refrigerator, press any button on the control panel. The alarm sound will be temporarily turned off, but the Door Ajar icon will still be displayed on the dispenser control panel.



Disabling Sounds

- To turn off control and dispenser sounds, press and hold ICE/WATER and MEASURED FILL at the same time for 3 seconds. All normal operating tones are disabled. Only alert tones will be audible.
- To turn all sounds back on, press and hold ICE/WATER and MEASURED FILL at the same time for 3 seconds again.

Showroom Mode

This mode is used only when the refrigerator is on display in a retail store. If you unintentionally turn on Showroom mode, the word "Showroom" will light up on the display. Exit Showroom mode by pressing and holding LIGHT and LOCK at the same time for 3 seconds.

Refrigerator Features

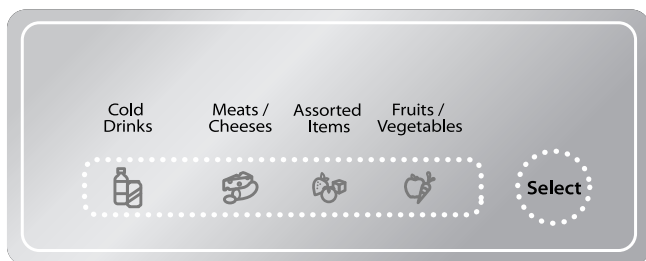
Temperature Controlled Exterior Drawer

IMPORTANT: This control sets the temperature for this drawer only.

Use the full-width drawer to store large party platters or deli trays, or use a drawer organizer to store smaller items such as yogurt, juice boxes and lunch meat for easy access.

Temperatures have been preset for the storage of: Cold Drinks, Meats/Cheeses, Assorted Items and Fruits/Vegetables. These preset temperatures cannot be adjusted.

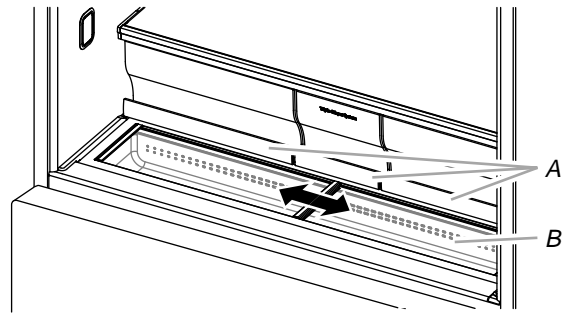
Press SELECT to toggle through the temperature settings. The icon will illuminate when it is selected.



EasySlide Bin

A shallow storage compartment with glass lids which slide from side to side is located below and in front of the crisper drawers.

NOTE: This compartment is not temperature or humidity controlled, so it is not recommended for storing leafy vegetables.



A. Crisper drawer handles
B. EasySlide bin

To remove EasySlide bin:

1. Remove all three crisper drawers.
2. Hold the upper sliding lid near the trim and lift up to remove. Remove the lower lid.
3. Grasp the front of the bin with both hands, and lift up on the front to remove.

To replace EasySlide bin:

1. Slightly tilt the rear of the bin upward.
2. Align the center rib and tabs on the EasySlide bin with the ribs and slots in the cabinet.
3. Lower the bin into place.

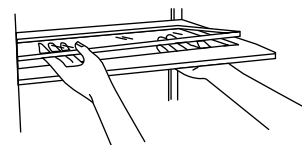
Crisper Drawers

To remove and replace the drawers:

1. Grasp the handle at the bottom of the drawer and slide the drawer straight out to the stop. Lift the drawer off the bottom guide.
2. Replace the drawer by placing it on the bottom drawer guide and pushing it past the drawer stop into position.

To remove the crisper(s) cover:

1. Remove crisper drawers.
2. Holding the glass insert firmly with one hand, press up in center of glass insert until it rises above the plastic frame. Gently slide the glass insert forward to remove.
3. Lift the cover frame up and remove it.



To replace crisper(s) cover:

1. Fit back of cover frame into supports on side walls of the refrigerator and lower the front of the cover frame into place.
2. Slide rear of glass insert into cover frame and lower front into place.
3. Replace crisper drawers.

Water and Ice Dispensers

IMPORTANT:

- Allow 3 hours for the refrigerator to cool down and chill water.
- Allow 24 hours to produce the first batch of ice. Discard the first three batches of ice produced.
- The dispensing system will not operate when either the refrigerator door or freezer drawer is open.

Flush the Water System

Air in the water dispensing system can cause the water dispenser to drip. After connecting the refrigerator to a water source or replacing the water filter, flush the water system.

Flushing the water dispensing system forces air from the water line and filter and prepares the water filter for use. Additional flushing may be required in some households.

NOTE: As air is cleared from the system, water may spurt out of the dispenser.

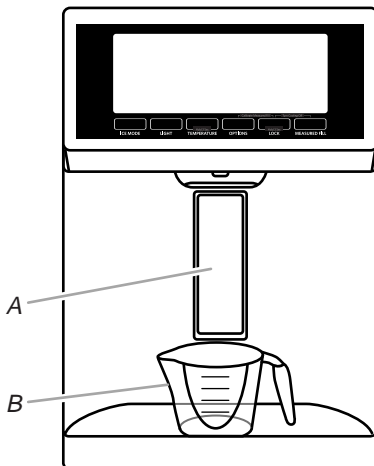
1. Using a sturdy container, depress and hold the water dispenser paddle for 5 seconds.
2. Release the dispenser paddle for 5 seconds. Repeat steps 1 and 2 until water begins to flow.
3. Once water begins to flow, continue depressing and releasing the dispenser pad (5 seconds on, 5 seconds off) until a total of 3 gal. (12 L) has been dispensed.

Calibrate Measured Fill

Household water pressure may affect the accuracy of the Measured Fill feature. So, for optimum performance of your water dispenser, you must first calibrate Measured Fill.

IMPORTANT:

- Flush the water system before calibrating Measured Fill.
 - For best results, calibration should be performed when water is not being used in the house.
1. Place a sturdy measuring cup (1 cup [237 mL] size) on the dispenser tray centered in front of the ice/water dispenser paddle.
- NOTE:** Depending on your model, a measuring cup may be provided.

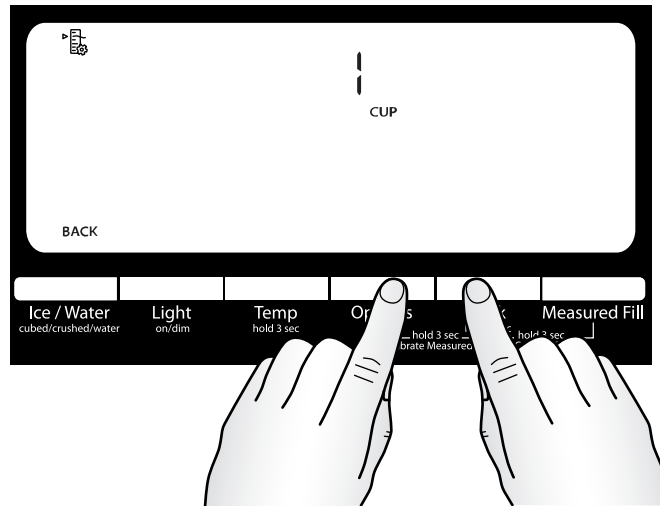


A. Ice/Water dispenser paddle
B. Measuring cup (1 cup)

2. Press and hold the OPTIONS and LOCK buttons at the same time for 3 seconds. The words “Back” and “1 Cup” will appear on the display screen. Also, the Calibrate Measured Fill icon will illuminate and remain lit while the Measured Fill feature is being calibrated.

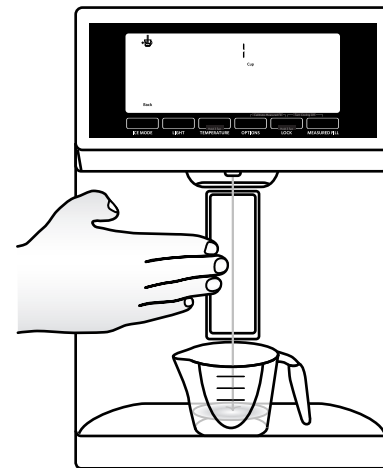


NOTE: You may press ICE/WATER “Back” at any time to exit calibration mode. The Calibrate Measured Fill icon will disappear.

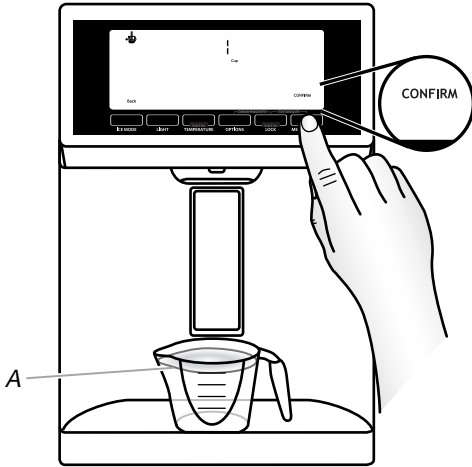


3. Press and release the ice/water dispenser paddle, as needed, to dispense water to the 1 cup fill line.

NOTE: If overfilling or spilling occurs, discard the water and press ICE/WATER “Back” to restart the calibration process.



- When 1 cup of water has been correctly dispensed into the measuring cup, press the MEASURED FILL button under the word “Confirm” to confirm the calibration.



A. 1 cup of water

- When Measured Fill calibration has been confirmed the icons will disappear and the display will return to the home screen.

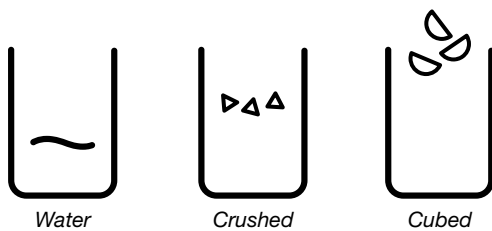
Dispensing

Press ICE/WATER to toggle through the following choices in a continuous loop:

- Water (default) - Dispenses water
- Cubed - Dispenses cubed ice.
- Crushed - Dispenses crushed ice

NOTES:

- The word “ICE” appears on the display screen when either crushed or cubed ice is selected.
- For crushed ice, cubes are crushed before being dispensed. This may cause a slight delay when dispensing crushed ice. Noise from the ice crusher is normal, and pieces of ice may vary in size.
- When changing from crushed to cubed, a few ounces of crushed ice will be dispensed along with the first cubes.



To Dispense Water (Standard):

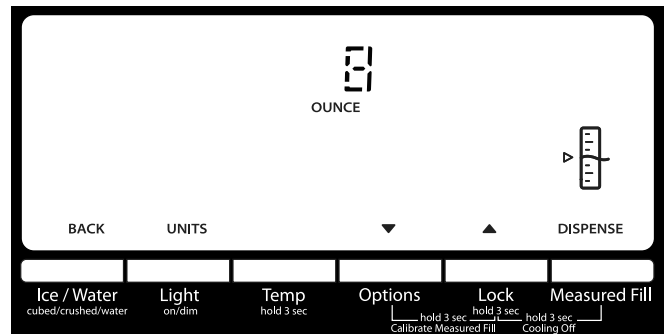
- Select water.
- Press a sturdy glass against the dispenser paddle.
NOTE: While dispensing water and for 3 seconds after dispensing has stopped, the digital display will show how much water has been dispensed.
- Remove the glass to stop dispensing.

To Dispense Water (Measured Fill):

Measured Fill allows you to dispense a specified amount of water with the touch of a few controls.

NOTE: The amount of water you select will be dispensed. Be sure that the container is empty and can hold the entire volume. If ice is in the container, you may need to adjust your selection.

- Press MEASURED FILL to turn on the feature. When the feature is on, the Measured Fill screen appears on the display.



NOTES:

- The dispenser will automatically turn off Measured Fill after 1 minute of inactivity. When Measured Fill is turned off, any changes you have made will be lost and all defaults will be restored.
 - Press ICE/WATER “Back,” to manually turn off the Measured Fill feature.
- Press LIGHT, under Units, to toggle among ounce, cup and liter. The default unit is ounce.

Default, minimum, and maximum volumes are listed below.

Units	Default	Minimum	Maximum
Ounces	8	1	128
Cups	1	1/4	16
Liters	0.25	0.05	4.00

- Press LOCK or OPTIONS to adjust the water volume as desired. The LOCK control increases the volume, and the OPTIONS control lowers the volume.

NOTES:

- When increasing or decreasing the dispense volumes, if an adjustment button (-/+) is held for approximately 10 seconds or longer the control may stop responding. Release the button for approximately 2 seconds and then continue making the adjustment.
- Most coffee cups (commonly 4 to 6 oz [118 to 177 mL] per cup) are not the same size as a measuring cup (8 oz [237 mL]). You may need to adjust the volume to avoid unintentionally overfilling coffee cups.

The Water Dispenser

IMPORTANT:

- Dispense at least 1 qt (1 L) of water every week to maintain a fresh supply.
- If the flow of water from the dispenser decreases, it could be caused by low water pressure.
 - With the water filter removed, dispense 1 cup (237 mL) of water. If 1 cup (237 mL) of water is dispensed in 8 seconds or less, the water pressure to the refrigerator meets the minimum requirement.
 - If it takes longer than 8 seconds to dispense 1 cup (237 mL) of water, the water pressure to the refrigerator is lower than recommended. See “Water Supply Requirements” and “Troubleshooting” for suggestions.

4. Dispense water.

NOTE: While dispensing water, the digital display will count down how much water remains to be dispensed, according to the volume you selected. The flow of water will automatically stop once the desired volume has been dispensed.

- Press a sturdy glass against the dispenser paddle.

OR

- Place the glass below the water dispenser and press MEASURED FILL, under Dispense, for hands-free dispensing.

5. To stop dispensing before the selected volume has been dispensed, remove the glass from the dispenser paddle OR press MEASURED FILL a second time.

NOTE: If you stop dispensing before the desired volume has been dispensed, the digital display will continue to show how much water remains to be dispensed. The display will turn off after 1 minute of inactivity.

- To select a new volume or start dispensing the same volume again, you must first finish dispensing the selected volume, or turn off the Measured Fill feature (either by waiting 1 minute so it will automatically turn off or by pressing ICE/WATER “Back” to manually turn it off) and then turn it back on.

The Ice Dispenser

IMPORTANT:

- If the ice cubes are hollow or have an irregular shape, it could be because of low water pressure. See “Water Supply Requirements.”
- Ice travels from the ice storage bin through the dispenser chute to the dispenser. To turn off the ice maker, see “Ice Maker and Storage Bin.”

To Clean the Ice Dispenser Chute:

Humidity causes ice to naturally clump together. Ice particles can build up until the ice dispenser chute becomes blocked.


If ice is not dispensed regularly, it may be necessary to empty the ice storage bin and clean the ice delivery chute, the ice storage bin and the area beneath the storage bin every 2 weeks.

- Remove the ice clogging the storage bin and delivery chute, using a plastic utensil if necessary.
- Clean the ice delivery chute and the bottom of the ice storage bin using a warm, damp cloth, then dry thoroughly.

To Dispense Ice:

1. Select the desired type of ice. To switch between cubed ice and crushed ice, press ICE/WATER.

⚠ **WARNING**



Cut Hazard

Use a sturdy glass when dispensing ice.

Failure to do so can result in cuts.

2. Press a sturdy glass against the dispenser paddle. Hold the glass close to the dispenser opening so ice does not fall outside of the glass.

IMPORTANT: You do not need to apply a lot of pressure to the paddle to activate the ice dispenser. Pressing hard will not make the ice dispense faster or in greater quantities.

3. Remove the glass to stop dispensing.

NOTE: Ice may continue to dispense for several seconds after removing the glass from the dispenser paddle. The dispenser may continue to make noise for a few seconds after dispensing.

The Dispenser Light

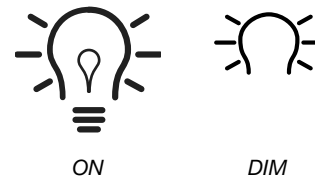
When you use the dispenser, the light will automatically turn on.

To turn on the light when you are not dispensing:

Press LIGHT to toggle through the following choices in a continuous loop:

- OFF (default) - The dispenser light is off
- ON - The dispenser light remains on at 100% brightness
- DIM - The dispenser light remains on at 50% brightness

The dispenser lights are LEDs that cannot be changed. If it appears that your dispenser lights are not working, see “Troubleshooting” for more information.



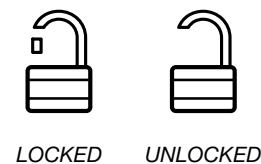
The Dispenser Lock

The dispenser can be turned off for easy cleaning or to avoid unintentional dispensing by small children and pets.

NOTE: The lock feature does not shut off power to the refrigerator, to the ice maker, or to the dispenser light. It simply deactivates the controls and dispenser paddles. To turn off the ice maker, see “Ice Maker and Storage Bin.”

- Press and hold LOCK for 3 seconds to lock the dispenser.
- Press and hold LOCK a second time to unlock the dispenser.

The display screen indicates when the dispenser is locked.



Ice Maker and Ice Storage Bin (on some models)

IMPORTANT: To avoid low ice production and poor quality ice, flush the water system before turning on the ice maker. See “Water Dispenser.”

- Allow 24 hours to produce the first batch of ice. Discard the first three batches of ice produced. Allow 2 to 3 days for the storage bin to fill completely following installation.
- The quality of your ice will be only as good as the quality of the water supplied to your ice maker. Avoid connecting the ice maker to a softened water supply. Water softener chemicals (such as salt) can damage parts of the ice maker and lead to poor quality ice. If a softened water supply cannot be avoided, make sure the water softener is operating properly and is well maintained.
- If the ice in the storage bin clumps together, break up ice using a plastic utensil and discard. Do not use anything sharp to break up the ice. This can cause damage to the ice bin and the dispenser mechanism.
- Do not store anything in the ice storage bin.

Ice Production Rate

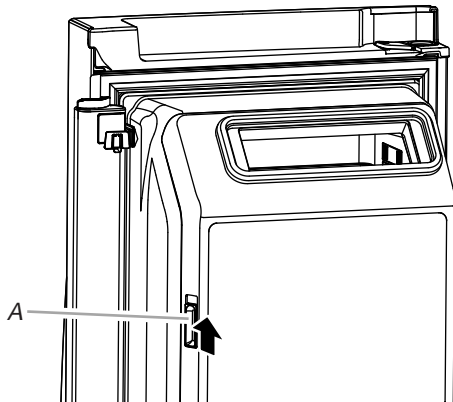
- The ice maker should produce approximately 3 lbs (1.4 kg) of ice per day under normal operation.
- To increase ice production, select the increased ice production feature from the Options menu on the control panel. See “Using the Control(s).”

Ice Maker

The ice maker is located on the left-hand side of the refrigerator compartment ceiling. Ice cubes are ejected into the ice storage bin, located on the left-hand refrigerator door.

Turn the Ice Maker On/Off

1. Push up on the latch on the left-hand side of the ice compartment to open the door.

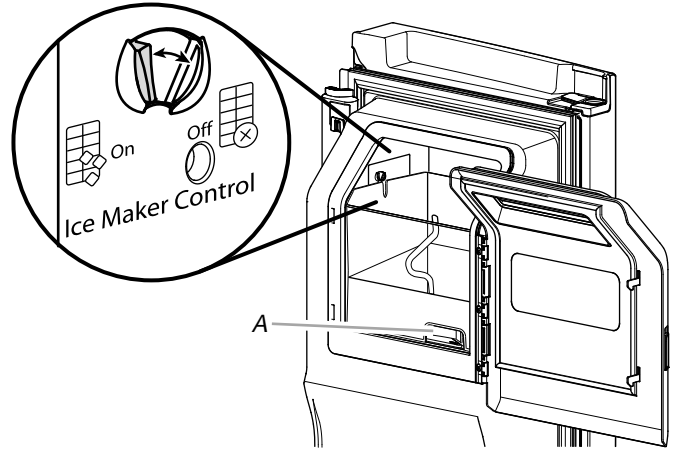


A. Ice compartment door latch

2. Turn on the ice maker by moving the switch to the (left) ON position.

NOTES:

- To manually turn off the ice maker, move the control to the OFF (right) position.
- Your ice maker has an automatic shutoff. The sensor will automatically stop ice production if the storage bin is full, if the door is open or the storage bin is removed. The control will remain in the ON (left) position.



A. Ice storage bin release latch

3. Close the ice compartment door.

Remove and Replace the Ice Storage Bin

- Remove the ice storage bin by inserting your fingers into the hole at the base of the bin and squeezing the latch to release the bin from the compartment. Lift the storage bin up and pull it straight out.
- Replace the storage bin inside the ice compartment and push down to make sure it is firmly in place.

REFRIGERATOR CARE

Cleaning

⚠ WARNING



Explosion Hazard

Use nonflammable cleaner.

Failure to do so can result in death, explosion, or fire.

Both the refrigerator and freezer sections defrost automatically. However, clean both sections about once a month to avoid buildup of odors. Wipe up spills immediately.

Exterior Cleaning

Please see the exterior cleaning information specific to your model.

Style 1 - Smooth Door

IMPORTANT: Damage to smooth finish due to improper use of cleaning products, or using non-recommended cleaning products, is not covered under the warranty. Sharp or blunt instruments will mar the finish.

DO USE	DO NOT USE
✓ Soft, clean cloth	✗ Abrasive cloths
	✗ Paper towels or newsprint
	✗ Steel-wool pads
✓ Warm, soapy water - use a mild detergent	✗ Abrasive powders or liquids
	✗ Window sprays
	✗ Ammonia
	✗ Acidic or vinegar based cleaners
	✗ Oven cleaners
	✗ Flammable fluids

NOTE: Paper towels scratch and may dull the clear coat of the painted door. To avoid possible damage use only soft clean clothes to polish and wipe the door.

Style 2 - Stainless Steel

IMPORTANT:

- Damage to stainless steel finish due to improper use of cleaning products, or using non-recommended cleaning products, is not covered under the warranty.

DO USE	DO NOT USE
✓ Soft, clean cloth	✗ Abrasive cloths
	✗ Paper towels or newsprint
	✗ Steel-wool pads
✓ Warm, soapy water	✗ Abrasive powders or liquids
	✗ Ammonia
	✗ Citrus-based cleaners
	✗ Acidic or vinegar-based cleaners
	✗ Oven cleaners
✓ For heavy soil, ONLY a stainless steel cleaner designed for appliances. To order the cleaner, see "Accessories."	✗ Stainless steel cleaner is for stainless steel parts only! Do not allow the Stainless Steel Cleaner and Polish to come into contact with any plastic parts such as the trim pieces, dispenser covers or door gaskets.

NOTES:

- If unintentional contact does occur, clean plastic part with a sponge and mild detergent in warm water. Dry thoroughly with a soft cloth.
- Just because a cleaner is a liquid does not mean it is nonabrasive. Many liquid cleansers formulated to be gentle on tile and smooth surfaces still damage stainless steel.
- Citric acid permanently discolors stainless steel. To avoid damaging the finish of your stainless steel refrigerator:

Do not allow these substances to remain on the finish

- | | |
|------------------|-------------------------|
| ✗ Mustard | ✗ Citrus-based sauces |
| ✗ Tomato juice | ✗ Citrus-based products |
| ✗ Marinara sauce | |

Interior Cleaning

1. Unplug refrigerator or disconnect power.
2. Hand wash, rinse, and dry removable parts and interior surfaces thoroughly. Use a clean sponge or soft cloth and a mild detergent in warm water.

NOTE: Do not use abrasive or harsh cleaners such as window sprays, scouring cleansers, flammable fluids, cleaning waxes, concentrated detergents, bleaches or cleansers containing petroleum products on plastic parts, interior and door liners or gaskets.

3. Plug in refrigerator or reconnect power.

Condenser Cleaning

There is no need for routine condenser cleaning in normal home operating environments. If the environment is particularly greasy or dusty, or there is significant pet traffic in the home, the condenser should be cleaned every 2 to 3 months to ensure maximum efficiency.

If you need to clean the condenser:

1. Unplug refrigerator or disconnect power.
2. Remove the base grille.
3. Use a vacuum cleaner with a soft brush to clean the grille, the open areas behind the grille and the front surface area of the condenser.
4. Replace the base grille when finished.
5. Plug in refrigerator or reconnect power.

Lights

The lights in both the refrigerator and freezer compartments are LEDs which do not need to be replaced. If the lights do not illuminate when the door or drawer is opened, call for assistance or service. In the U.S.A., call **1-800-253-1301**. In Canada call **1-800-807-6777**.

Vacation and Moving Care

Vacations

If You Choose to Leave the Refrigerator On While You're Away:

1. Use up any perishables and freeze other items.
2. If your refrigerator has an automatic ice maker, and is connected to the household water supply, turn off the water supply to the refrigerator. Property damage can occur if the water supply is not turned off.
3. If you have an automatic ice maker, turn off the ice maker.
NOTE: Depending on your model, raise the wire shutoff arm to OFF (up) position, or press the switch to OFF.
4. Empty the ice bin.

If You Choose to Turn Off the Refrigerator Before You Leave:

1. Remove all food from the refrigerator.
2. If your refrigerator has an automatic ice maker:
 - Turn off the water supply to the ice maker at least one day ahead of time.
 - When the last load of ice drops, raise the wire shutoff arm to the OFF (up) position or press the switch to OFF, depending on your model.
3. Turn off the Temperature control(s). See "Using the Control(s)."

4. Clean refrigerator, wipe it, and dry well.
5. Tape rubber or wood blocks to the tops of both doors to prop them open far enough for air to get in. This stops odor and mold from building up.

2. Remove all food from the refrigerator and pack all frozen food in dry ice.
3. Empty the ice bin.
4. Turn off the Temperature control(s). See "Using the Control(s)."
5. Unplug refrigerator.
6. Clean, wipe, and dry thoroughly.
7. Take out all removable parts, wrap them well, and tape them together so they don't shift and rattle during the move.
8. Depending on the model, raise the front of the refrigerator so it rolls more easily OR raise the leveling screws so they don't scrape the floor. See "Adjust the Door(s)."
9. Tape the doors closed and tape the power cord to the back of the refrigerator.

Moving

When you are moving your refrigerator to a new home, follow these steps to prepare it for the move.


1. If your refrigerator has an automatic ice maker:
 - Turn off the water supply to the ice maker at least one day ahead of time.
 - Disconnect the water line from the back of the refrigerator.
 - When the last load of ice drops, raise the wire shutoff arm to the OFF (up) position or press the switch to OFF, depending on your model.

When you get to your new home, put everything back and refer to the "Installation Instructions" section for preparation instructions. Also, if your refrigerator has an automatic ice maker, remember to reconnect the water supply to the refrigerator.

PROBLEM SOLVER

First try the solutions suggested here or visit our website and reference FAQs (Frequently Asked Questions) to possibly avoid the cost of a service call.
 In the U.S.A., www.whirlpool.com In Canada, www.whirlpool.ca

⚠ WARNING



Electrical Shock Hazard

Plug into a grounded 3 prong outlet.

Do not remove ground prong.

Do not use an adapter.

Do not use an extension cord.

Failure to follow these instructions can result in death, fire, or electrical shock.

GENERAL OPERATION

Possible Causes and/or Recommended Solutions

- | | |
|--------------------------------------|---|
| Refrigerator will not operate | <ul style="list-style-type: none"> ■ Not connected to an electrical supply - Plug the power cord into a grounded 3 prong outlet. Do not use an extension cord. ■ No power to the electrical outlet - Plug in a lamp to see if the outlet is working. ■ Household fuse has blown or circuit breaker has tripped - Replace the fuse or reset the circuit breaker. If the problem continues, contact a licensed electrician. ■ Control or cooling is not turned on - Turn on the refrigerator control, or turn cooling on. See "Using the Controls." ■ New installation - Following installation, allow 24 hours for the refrigerator and freezer to cool completely.

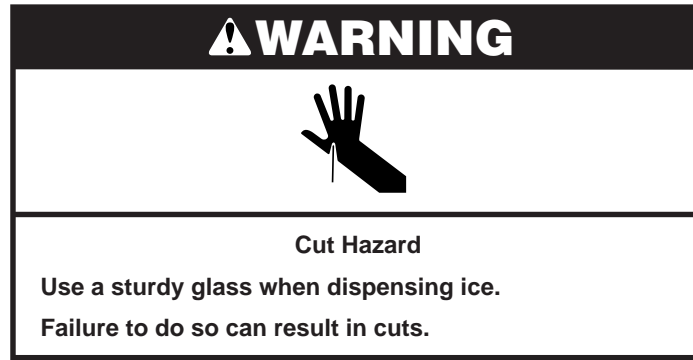
NOTE: Adjusting the temperature control(s) to the coldest setting will not cool either compartment (refrigerator or freezer) more quickly. ■ Refrigerator control is in Showroom mode (on some models)- If the refrigerator is in Showroom mode, cooling is turned off and "Showroom" will be illuminated on the control panel. See "Using the Control(s)" for more information. |
|--------------------------------------|---|

GENERAL OPERATION	Possible Causes and/or Recommended Solutions
Motor seems to run too much	<ul style="list-style-type: none"> ■ Your new refrigerator has an energy-efficient motor - The refrigerator may run longer than you're used to, because the compressor and fans operate at lower speeds that are more energy-efficient. This is normal. <p>NOTE: Your refrigerator may run even longer if the room is warm, a large load of food is added, the doors are opened often, or if a door has been left open.</p>
Lights do not work	<ul style="list-style-type: none"> ■ Your refrigerator has been equipped with LED lighting which does not need to be replaced - If there is power to the refrigerator and the lights do not illuminate when a door or drawer is opened, call for service or assistance. See either the front cover or the Warranty for contact information. ■ The dispenser light is set to OFF - On some models, the dispenser light will operate only when the dispenser paddle is pressed. If you want the dispenser light to stay on continuously, see "Water and Ice Dispensers." ■ Doors have been open longer than 10 minutes - Close the doors and drawers to reset, and open to resume lighted task.
Exterior drawer control not lit/unresponsive	<ul style="list-style-type: none"> ■ The refrigerator is in Cooling Off mode - Exit Cooling Off mode. See "Using the Control(s)." ■ The refrigerator controls' initialization process did not complete successfully - Unplug the refrigerator, wait 5 seconds. Plug in the refrigerator, and wait 30 seconds before opening the doors or drawers, or touching the control panel. ■ The drawer front was recently removed - Make sure the temperature control wires have been properly reconnected. See "Remove and Replace Drawer Fronts."
Refrigerator seems noisy	<p>The compressor in your new refrigerator regulates temperature more efficiently and uses less energy than older models. During various stages of operation, you may hear normal operating sounds that are unfamiliar.</p> <p>The following noises are normal:</p> <ul style="list-style-type: none"> ■ Buzzing/Clicking - Heard when the water valve opens and closes to dispense water or fill the ice maker. If the refrigerator is connected to a water line, this is normal. If the refrigerator is not connected to a water line, turn off the ice maker. ■ Repetitive Clicking - Dual evaporator valve regulating the cooling operation. ■ Cracking/Clatter - Heard when ice is ejected from the ice maker mold and then falls into the ice storage bin. ■ Popping - Heard when the inside walls contract/expand, especially during initial cooldown. ■ Hissing/Dripping - Flow of refrigerant, or flow of oil in the compressor. ■ Pulsating/Whirring - Heard when the fans/compressor adjust to optimize performance during normal operation. ■ Rattling - Heard when water passes through the water line, or due to the flow of refrigerant. Rattling may also come from items placed on top of the refrigerator. ■ Water running or gurgling - Heard when ice melts during the defrost cycle and water runs into the drain pan. ■ Sizzling - Heard when water drips onto the heater during the defrost cycle. ■ Vibration - The refrigerator may not be steady. Adjust the leveling screws and lower the leveling foot until it is firmly against the floor. See "Refrigerator Leveling, Door Closing and Alignment."
Temperature is too warm	<ul style="list-style-type: none"> ■ New installation - Following installation, allow 24 hours for the refrigerator and freezer to cool completely. <p>NOTE: Adjusting the temperature control(s) to the coldest setting will not cool either compartment (refrigerator or freezer) more quickly.</p> <ul style="list-style-type: none"> ■ Cooling is turned off - Turn on cooling. See "Using the Control(s)." ■ Doors are opened often or not closed completely - This allows warm air to enter the refrigerator. Minimize door openings, keep the doors fully closed, and make sure both doors are properly sealed. ■ Air vents are blocked - Remove items that are immediately in front of the vents. ■ Large amount of warm food recently added - Allow several hours for the refrigerator to return to its normal temperature. ■ Controls are not set correctly for the surrounding conditions - Adjust the controls to a colder setting. Check the temperature again in 24 hours.

GENERAL OPERATION	Possible Causes and/or Recommended Solutions
Temperature is too cold in the refrigerator/crisper	<ul style="list-style-type: none"> ■ Controls are not set correctly for the surrounding conditions - Adjust the controls to a warmer setting. Check the temperature again in 24 hours. ■ Ice storage bin is not in the correct position - See “Ice Maker and Ice Storage Bin.” ■ Air vents are blocked - Remove items that are immediately in front of the vents.
Temperature is too warm/cold in the exterior drawer	<ul style="list-style-type: none"> ■ Control is not set correctly for the items stored in the drawer - Adjust the temperature setting. See “Temperature Controlled Exterior Drawer.”
Interior moisture buildup	<p>NOTE: Some moisture buildup is normal. Clean with a soft dry cloth.</p> <ul style="list-style-type: none"> ■ Room is humid - A humid environment contributes to moisture buildup. Only use the refrigerator in an indoor location, with as little humidity as possible. ■ Doors are opened often or not closed completely - This allows humid air to enter the refrigerator. Minimize door openings, keep the doors fully closed, and make sure both doors are properly sealed.
Frost/Ice buildup in the freezer compartment	<ul style="list-style-type: none"> ■ The drawer is opened often or left open - Minimize drawer openings and close drawer completely after use. ■ Poor drawer seal - Ensure drawer seal is making full contact with the cabinet to allow for an adequate seal. ■ Temperature control(s) are not set correctly - See “Using the Control(s)” for recommended temperature settings.



DOORS AND LEVELING	Possible Causes and/or Recommended Solutions
Doors are difficult to open	<ul style="list-style-type: none"> ■ Gaskets are dirty or sticky - Clean the gaskets and contact surfaces with mild soap and warm water. Rinse and dry with a soft cloth.
Doors will not close completely	<ul style="list-style-type: none"> ■ Door is blocked open - Move food packages away from the door. Make sure all bins and shelves are in their correct positions. Make sure all packaging materials have been removed.
Doors appear to be uneven	<ul style="list-style-type: none"> ■ Doors need to be aligned, or refrigerator needs to be leveled - See “Refrigerator Leveling, Door Closing and Alignment.”
Refrigerator unsteady or it rolls forward when opening and closing doors or drawers	<ul style="list-style-type: none"> ■ Refrigerator brake feet are not snug against the floor - Remove the base grille. Turn both brake feet (one on each side) clockwise, the same amount, until they are snug against the floor. See “Refrigerator Leveling, Door Closing and Alignment.”



ICE AND WATER **Possible Causes and/or Recommended Solutions**

Ice maker is not producing ice, not producing enough ice, or producing small/hollow ice

- **Refrigerator is not connected to a water supply, or the water supply shutoff valve is not fully turned on** - Connect the refrigerator to a water supply and make sure the water shutoff valve is fully open.
- **Kink in the water source line** - A kink in the water line can reduce water flow, resulting in decreased ice production, small ice cubes, and/or hollow or irregularly-shaped ice. Straighten the water line.
- **Ice maker is not turned on** - Turn on the ice maker. See “Ice Maker and Storage Bin.”
- **New installation** - After connecting the refrigerator to a water source, flush the water system. (See “Water and Ice Dispensers.”) Wait 24 hours for ice production to begin. Wait 72 hours for full ice production. Discard the first three batches of ice produced.
- **Refrigerator door is not closed completely** - Close the door firmly. If it does not close completely, see “The doors will not close completely.”
- **A water filter is installed on the refrigerator** - Remove the water filter and operate the ice maker. If ice volume improves, then the filter may be clogged or incorrectly installed. Replace filter or install it correctly.
- **Large amount of ice was recently removed** - Allow sufficient time for the ice maker to produce more ice.
- **Ice is jammed in the ice maker ejector arm** - Remove ice from the ejector arm using a plastic utensil.
- **Inadequate water pressure** - Verify that the household has adequate water pressure. See “Water Supply Requirements.”
- **Water filter is installed incorrectly** - Make sure the filter is properly installed. See “Water Filtration System.”
- **A reverse osmosis water filtration system is connected to your cold water supply** - This can decrease water pressure. See “Water Supply Requirements.”

NOTE: If questions remain regarding water pressure, contact a licensed, qualified plumber.

Ice dispenser will not operate properly

- **New installation** - After connecting the refrigerator to a water source, flush the water system. (See “Water and Ice Dispensers.”) Wait 24 hours for ice production to begin. Wait 72 hours for full ice production. Discard the first three batches of ice produced.
- **Ice maker is not turned on, or ice bin is not installed correctly** - Turn on the ice maker and make sure the ice storage bin is firmly in position. See “Ice Maker and Storage Bin.”
- **Ice is clogged or frozen together in the ice storage bin, or ice is blocking the ice delivery chute** - Remove or separate the clogged ice, using a plastic utensil if necessary. Clean the ice delivery chute and the bottom of the ice storage bin using a warm damp cloth, then dry both thoroughly. To avoid clogging and to maintain a fresh supply of ice, empty the storage bin and clean both the storage bin and the delivery chute every 2 weeks.
- **Dispenser is locked** - Unlock the dispenser. See “Water and Ice Dispensers.”
- **Ice dispenser jams while dispensing crushed ice** - For models with the ice storage bin on the door, temporarily switch from crushed ice to cubed ice to clear the jam.
- **Dispenser pad/lever has been pressed too long** - Ice will automatically stop dispensing. Wait a few minutes for the dispenser to reset, then resume dispensing. Take large amounts of ice directly from the ice bin, not through the dispenser.
- **Water pressure to the home is not at or above 35 psi (241 kPa)** - The water pressure to the home affects the flow from the dispenser. See “Water Supply Requirements.”
- **Water filter is clogged or incorrectly installed** - Replace filter or reinstall it correctly. See “Water Filtration System.”

ICE AND WATER	Possible Causes and/or Recommended Solutions
Ice or water has an off-taste, odor, or gray color	<ul style="list-style-type: none"> ■ New plumbing connections - New plumbing connections can result in off-flavored or discolored ice or water. This problem should go away over time. ■ Ice has been stored too long - Discard the ice and wash the ice bin. Allow 24 hours for the ice maker to produce new ice. ■ Odor has transferred from food - Use airtight moisture-proof packaging to store food. ■ Use of non-recommended water supply line - Odors and tastes can transfer from certain materials used in non-recommended water supply lines. Use only a recommended water supply line. See “Water Supply Requirements.” ■ There are minerals (such as sulfur) in the water - A water filter may need to be installed in order to remove the minerals. ■ Water filter was recently installed or replaced - Gray or dark discoloration in ice or water indicates that the water filtration system needs additional flushing. See “Water and Ice Dispensers.”
Water dispenser will not operate properly	<ul style="list-style-type: none"> ■ Doors not closed completely - Make sure both doors are firmly closed. (On some models, only the freezer door must be closed in order to operate the dispenser.) ■ Refrigerator is not connected to a water supply, or the water supply shutoff valve is not turned on - Connect the refrigerator to a water supply and make sure the water shutoff valve is fully open. ■ Kink in the water source line - A kink in the water line can reduce water flow to the dispenser. Straighten the water line. ■ Water pressure to the home is not at or above 35 psi (241 kPa) - The water pressure to the home affects the flow from the dispenser. See “Water Supply Requirements.” ■ New installation - After connecting the refrigerator to a water source, flush the water system. See “Water and Ice Dispensers.” ■ Water dispenser measured fill feature is not dispensing an accurate amount of water - Calibrate the water dispenser. See “Water and Ice Dispensers.” ■ Dispenser is locked - Unlock the dispenser. See “Water and Ice Dispensers.” ■ Water filter is clogged or incorrectly installed - Replace filter or reinstall it correctly. See “Water Filtration System.” ■ A reverse osmosis water filtration system is connected to your cold water supply - This can decrease water pressure. See “Water Supply Requirements.” <p>NOTE: If questions remain regarding water pressure, contact a licensed, qualified plumber.</p>
Water is leaking or dripping from the dispenser	<p>NOTE: After dispensing, a few additional drops of water are normal.</p> <ul style="list-style-type: none"> ■ Glass was not held under the dispenser long enough - Hold the glass under the dispenser for 2 to 3 seconds after releasing the dispenser pad/lever. ■ New installation, or water filter was recently installed or replaced - Air in the water lines causes the water dispenser to drip. Flush the water system to remove the air in the water lines. See “Water and Ice Dispensers.” ■ Residual ice in the dispenser chute is melting - Make sure the ice chute is free of ice shavings or pieces.
Water is leaking from the back of the refrigerator	<ul style="list-style-type: none"> ■ Water line connections are not fully tightened - Make sure all connections are firmly tightened. See “Connect Water Supply.”
Water from the dispenser is not cool enough (on some models)	<p>NOTE: Water from the dispenser is chilled to 50°F (10°C).</p> <ul style="list-style-type: none"> ■ New installation - Allow 24 hours after installation for the water supply to cool completely. ■ Recently dispensed a large amount of water - Allow 24 hours for the new water supply to cool completely. ■ Water has not been recently dispensed - The first glass of water may not be cool. Discard the first glass of water dispensed. ■ Refrigerator is not connected to a cold water pipe - Make sure the refrigerator is connected to a cold water pipe. See “Water Supply Requirements.”

WATER FILTER CERTIFICATIONS

State of California
Department of Public Health
Water Treatment Device
Certificate Number
12- 2128
Date Issued: January 30, 2012

Trademark/Model Designation

Whirlpool P6WB2L
Whirlpool P6WB2NL

Replacement Element:
P6RFWB2

Manufacturer: Whirlpool Corporation

The water treatment device(s) listed on this certificate have met the testing requirements pursuant to Section 116830 of the Health and Safety Code for the following health related contaminants:

Microbiological Contaminants and Turbidity

Cysts (protozoan)

Inorganic/Radiological Contaminants

Asbestos
Lead

Organic Contaminants

Atrazine
Lindane
Toxaphene
2, 4-D

Rated Service Capacity: 200 gal

Rated Service Flow: 0.43 gpm

Do not use where water is microbiologically unsafe or with water of unknown quality, except that systems certified for cyst reduction may be used on disinfected waters that may contain filterable cysts.

PERFORMANCE DATA SHEET

Water Filtration System Model P6WB2L/P6RFWB2 Capacity 200 Gallons (757 Liters) Model P6WB2NL/P6RFWB2 Capacity 200 Gallons (757 Liters)



System tested and certified by NSF International against NSF/ANSI Standard 42 for the reduction of Chlorine Taste and Odor, and Particulate Class I*; and against NSF/ANSI Standard 53 for the reduction of Live Cysts, Asbestos, Lead, Lindane, Toxaphene, Atrazine, and 2,4 - D.

This system has been tested according to NSF/ANSI Standards 42 and 53 for the reduction of the substances listed below. The concentration of the indicated substances in water entering the system was reduced to a concentration less than or equal to the permissible limit for water leaving the system, as specified in NSF/ANSI Standards 42 and 53.

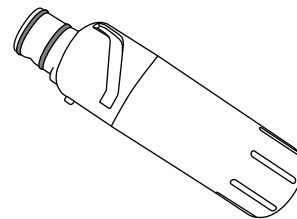
Substance Reduction Aesthetic Effects	NSF Reduction Requirements	Average Influent	Influent Challenge Concentration	Maximum Effluent	Minimum % Reduction	Average % Reduction
Chlorine Taste/Odor Particulate Class I*	50% reduction 85% reduction	2.0 mg/L 7,300,000 #/mL	2.0 mg/L ± 10% At least 10,000 particles/mL	0.20 mg/L 75,000 #/mL**	97 99	97.2 99.4
Contaminant Reduction	NSF Reduction Requirements	Average Influent	Influent Challenge Concentration	Maximum Effluent	Minimum % Reduction	Average % Reduction
Live Cysts [†]	99.95%	160,000/L	50,000/L min.	54/L [†]	99.97	99.99
Asbestos	99%	87 MFL	10 ⁷ to 10 ⁸ fibers/L ^{††}	0.17 MFL	99	99
Lead: @ pH 6.5 Lead: @ pH 8.5	0.010 mg/L 0.010 mg/L	0.160 mg/L 0.140 mg/L	0.15 mg/L ± 10% 0.15 mg/L ± 10%	0.001 mg/L 0.005 mg/L	99.4 98.6	99.4 98.6
Lindane	0.0002 mg/L	0.0019 mg/L	0.002 mg/L ± 10%	0.00002 mg/L	98.9	99
Toxaphene	0.003 mg/L	0.014 mg/L	0.015 mg/L ± 10%	0.001 mg/L	93	93
Atrazine	0.003 mg/L	0.0094 mg/L	0.009 mg/L ± 10%	0.0005 mg/L	94.5	94.7
2,4 - D	0.07 mg/L	0.220 mg/L	0.210 mg/L ± 10%	0.028 mg/L	87.5	96.1

Test Parameters: pH = 7.5 ± 0.5 unless otherwise noted. Flow = 0.43 gpm (1.6 Lpm). Pressure = 60 psig (413.7 kPa). Temp. = 68°F to 71.6°F (20°C to 22°C). Rated service capacity = 200 gallons (757 liters).

- It is important that operational, maintenance, and filter replacement requirements be carried out for the product to perform as advertised. Property damage can occur if all instructions are not followed.
- Use replacement filter P6RFWB2, part #W10413645A. 2013 suggested retail price of \$39.99 U.S.A./\$49.99 Canada. Prices are subject to change without notice.
Style 1 – When Order Filter is illuminated yellow, order a new filter. When Replace Filter is illuminated red, it is recommended that you replace the filter.
Style 2 – Press OPTIONS and select Filter Status to check the status of your water filter. When the filter status shows 10% remaining, order a new filter. When the filter status shows 0% remaining, it is recommended that you replace the filter.
Style 3 – Press FILTER STATUS to check the status of your water filter. When the filter status shows 10% remaining, order a new filter. When the filter status shows 0% remaining, it is recommended that you replace the filter.
- After changing the water filter, flush the water system. See “Water and Ice Dispensers” or “Water Dispenser” in the User Instructions or User Guide.
- These contaminants are not necessarily in your water supply. While testing was performed under standard laboratory conditions, actual performance may vary.
- The product is for cold water use only.
- The water system must be installed in compliance with state and local laws and regulations.
- Do not use with water that is microbiologically unsafe or of unknown quality without adequate disinfection before or after the system. Systems certified for cyst reduction may be used on disinfected waters that may contain filterable cysts.
- Refer to the “Warranty” section (in the User Instructions or User Guide) for the Manufacturer’s name, address and telephone number.
- Refer to the “Warranty” section (in the User Instructions or User Guide) for the Manufacturer’s limited warranty.

Application Guidelines/Water Supply Parameters

Water Supply	City or Well
Water Pressure	30 - 120 psi (207 - 827 kPa)
Water Temperature	33° - 100°F (0.6° - 37.8°C)
Service Flow Rate	0.43 gpm (1.6 Lpm) @ 60 psi



*Class I particle size: >0.5 to <1 um

**Test requirement is at least 100,000 particles/mL of AC Fine Test Dust.

[†]Based on the use of Cryptosporidium parvum oocysts

^{††}Fibers greater than 10 um in length

WHIRLPOOL CORPORATION MAJOR APPLIANCE WARRANTY

LIMITED WARRANTY

For one year from the date of purchase, when this major appliance is operated and maintained according to instructions attached to or furnished with the product, Whirlpool Corporation or Whirlpool Canada LP (hereafter "Whirlpool") will pay for Factory Specified Parts and repair labor to correct defects in materials or workmanship that existed when this major appliance was purchased. Service must be provided by a Whirlpool designated service company. YOUR SOLE AND EXCLUSIVE REMEDY UNDER THIS LIMITED WARRANTY SHALL BE PRODUCT REPAIR AS PROVIDED HEREIN. This limited warranty is valid only in the United States or Canada and applies only when the major appliance is used in the country in which it was purchased. Proof of original purchase date is required to obtain service under this limited warranty.

ITEMS EXCLUDED FROM WARRANTY

This limited warranty does not cover:

1. Replacement parts or repair labor if this major appliance is used for other than normal, single-family household use or when it is used in a manner that is inconsistent to published user or operator instructions and/or installation instructions.
2. Service calls to correct the installation of your major appliance, to instruct you on how to use your major appliance, to replace or repair house fuses, or to correct house wiring or plumbing.
3. Service calls to repair or replace appliance light bulbs, air filters or water filters. Consumable parts are excluded from warranty coverage.
4. Damage resulting from accident, alteration, misuse, abuse, fire, flood, acts of God, improper installation, installation not in accordance with electrical or plumbing codes, or use of products not approved by Whirlpool.
5. Cosmetic damage, including scratches, dents, chips or other damage to the finish of your major appliance, unless such damage results from defects in materials or workmanship and is reported to Whirlpool within 30 days from the date of purchase.
6. Any food or medicine loss due to refrigerator or freezer product failures.
7. Pickup and delivery. This major appliance is intended to be repaired in your home.
8. Repairs to parts or systems resulting from unauthorized modifications made to the appliance.
9. Expenses for travel and transportation for product service if your major appliance is located in a remote area where service by an authorized Whirlpool servicer is not available.
10. The removal and reinstallation of your major appliance if it is installed in an inaccessible location or is not installed in accordance with Whirlpool's published installation instructions.
11. Replacement parts or repair labor on major appliances with original model/serial numbers that have been removed, altered or cannot be easily determined.
12. Discoloration, rust, or oxidation of stainless steel surfaces.

The cost of repair or replacement under these excluded circumstances shall be borne by the customer.

DISCLAIMER OF IMPLIED WARRANTIES

IMPLIED WARRANTIES, INCLUDING ANY IMPLIED WARRANTY OF MERCHANTABILITY OR IMPLIED WARRANTY OF FITNESS FOR A PARTICULAR PURPOSE, ARE LIMITED TO ONE YEAR OR THE SHORTEST PERIOD ALLOWED BY LAW. Some states and provinces do not allow limitations on the duration of implied warranties of merchantability or fitness, so this limitation may not apply to you. This warranty gives you specific legal rights, and you also may have other rights that vary from state to state or province to province.

LIMITATION OF REMEDIES; EXCLUSION OF INCIDENTAL AND CONSEQUENTIAL DAMAGES

YOUR SOLE AND EXCLUSIVE REMEDY UNDER THIS LIMITED WARRANTY SHALL BE PRODUCT REPAIR AS PROVIDED HEREIN. WHIRLPOOL SHALL NOT BE LIABLE FOR INCIDENTAL OR CONSEQUENTIAL DAMAGES. Some states and provinces do not allow the exclusion or limitation of incidental or consequential damages, so these limitations and exclusions may not apply to you. This warranty gives you specific legal rights, and you also may have other rights that vary from state to state or province to province.

If outside the 50 United States and Canada, contact your authorized Whirlpool dealer to determine if another warranty applies. 7/12

For additional product information, in the U.S.A., visit www.whirlpool.com.

In Canada, visit www.whirlpool.ca.

If you do not have access to the Internet and you need assistance using your product or you would like to schedule service, you may contact Whirlpool at the number below.

Have your complete model number ready. You can find your model number and serial number on the label, located on the inside wall of the refrigerator compartment.

For assistance or service in the U.S.A., call 1-800-253-1301. In Canada, call 1-800-807-6777.

If you need further assistance, you can write to Whirlpool with any questions or concerns at the address below:

In the U.S.A.:

Whirlpool Brand Home Appliances
Customer eXperience Center
553 Benson Road
Benton Harbor, MI 49022-2692

In Canada:

Whirlpool Brand Home Appliances
Customer eXperience Centre
200 – 6750 Century Ave.
Mississauga, Ontario L5N 0B7

Please include a daytime phone number in your correspondence.

Please keep all provided instructions and your model number information for future reference.



INSTRUCCIONES PARA EL USUARIO DEL REFRIGERADOR

LE AGRADECEMOS la compra de este producto de alta calidad. Si usted experimenta un problema que no se haya cubierto en SOLUCIÓN DE PROBLEMAS, visite nuestro sitio de internet en www.whirlpool.com para obtener información adicional. Si considera que aún necesita ayuda, llámenos al 1-800-253-1301. En Canadá, visite nuestro sitio de internet en www.whirlpool.ca o llámenos al 1-800-807-6777.

Necesitará tener a mano su número de modelo y de serie ubicados en la pared interior del compartimiento del refrigerador.

SEGURIDAD DEL REFRIGERADOR

Su seguridad y la seguridad de los demás es muy importante.

Hemos incluido muchos mensajes importantes de seguridad en este manual y en su electrodoméstico. Lea y obedezca siempre todos los mensajes de seguridad.



Este es el símbolo de advertencia de seguridad.

Este símbolo le llama la atención sobre peligros potenciales que pueden ocasionar la muerte o una lesión a usted y a los demás.

Todos los mensajes de seguridad irán a continuación del símbolo de advertencia de seguridad y de la palabra "PELIGRO" o "ADVERTENCIA". Estas palabras significan:

 **PELIGRO**

Si no sigue las instrucciones de inmediato, usted puede morir o sufrir una lesión grave.

 **ADVERTENCIA**

Si no sigue las instrucciones, usted puede morir o sufrir una lesión grave.

Todos los mensajes de seguridad le dirán el peligro potencial, le dirán cómo reducir las posibilidades de sufrir una lesión y lo que puede suceder si no se siguen las instrucciones.

INSTRUCCIONES IMPORTANTES DE SEGURIDAD

ADVERTENCIA: Para reducir el riesgo de incendio, choque eléctrico, o lesiones personales al usar su refrigerador siga estas precauciones básicas:

- Conecte a un contacto de pared de conexión a tierra de 3 terminales.
- No use un adaptador.
- No quite la terminal de conexión a tierra.
- No use un cable eléctrico de extensión.
- Desconecte el suministro de energía antes de darle servicio.
- Vuelva a colocar todos los componentes y paneles antes de hacerlo funcionar.
- Remueva las puertas de su refrigerador viejo.
- Use un limpiador no inflamable.
- Mantenga los materiales y vapores inflamables, tales como gasolina, alejados del refrigerador.
- Use dos o más personas para mover e instalar el refrigerador.
- Desconecte el suministro de energía antes de instalar la fábrica de hielo (en aquellos modelos que incluyen el juego de instalación de la fábrica de hielo).
- Use un vaso resistente para recibir hielo del despachador (en algunos modelos).
- No golpee las puertas de vidrio del refrigerador (en algunos modelos).

CONSERVAR ESTAS INSTRUCCIONES

Advertencias de la Proposición 65 del estado de California:

ADVERTENCIA: Este producto contiene una o más sustancias químicas identificadas por el estado de California como causantes de cáncer.

ADVERTENCIA: Este producto contiene una o más sustancias químicas identificadas por el estado de California como causantes de defectos congénitos o algún otro tipo de daños en la función reproductora.

Cómo deshacerse adecuadamente de su refrigerador viejo

⚠️ ADVERTENCIA

Peligro de Asfixia

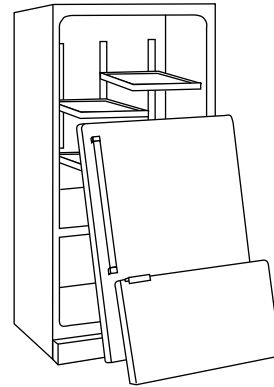
Remueva las puertas de su refrigerador viejo.

No seguir esta instrucción puede ocasionar la muerte o daño al cerebro.

IMPORTANTE: El atrapamiento y asfixia de niños no es un problema del pasado. Los refrigeradores tirados y abandonados son un peligro, aun si van a quedar ahí “por unos pocos días”. Si Ud. está por deshacerse de su refrigerador viejo, por favor siga las instrucciones que se dan a continuación para prevenir accidentes.

Antes de tirar su viejo refrigerador o congelador:

- Saque las puertas.
- Deje los estantes en su lugar, así los niños no pueden meterse adentro con facilidad.



Información importante para saber acerca del desecho de refrigerantes:

Deshágase del refrigerador siguiendo los reglamentos federales y locales. Los refrigerantes deberán ser evacuados por un técnico certificado en refrigeración por EPA (Agencia de protección del medioambiente) según los procedimientos establecidos.

INSTRUCCIONES DE INSTALACIÓN

Desempaque el refrigerador

⚠️ ADVERTENCIA

Peligro de Peso Excesivo

Use dos o más personas para mover e instalar el refrigerador.

No seguir esta instrucción puede ocasionar una lesión en la espalda u otro tipo de lesiones.

Cómo mover su refrigerador:

Su refrigerador es pesado. Cuando mueva el refrigerador para limpiarlo o para darle servicio, cerciórese de cubrir el piso con cartón o madera para evitar daños en el mismo. Al mover el refrigerador, siempre tire directamente hacia afuera. No menee el refrigerador de lado a lado ni lo haga “caminar” cuando lo trate de mover ya que podría dañar el piso.

Cómo quitar los materiales de empaque

- Quite los restos de cinta y goma de las superficies de su refrigerador antes de encenderlo. Frote un poco de detergente líquido para vajillas sobre el adhesivo con los dedos. Limpie con agua tibia y seque.
- No use instrumentos filosos, alcohol para fricciones, líquidos inflamables o productos de limpieza abrasivos para eliminar los restos de cinta o goma. Estos productos pueden dañar la superficie de su refrigerador. Para más información, vea “Seguridad del refrigerador”.
- Deshágase de todos los materiales de embalaje o recíclelos.

Limpieza antes del uso

Una vez que usted haya quitado todos los materiales de empaque, limpie el interior de su refrigerador antes de usarlo. Vea las instrucciones de limpieza en “Cuidado de su refrigerador”.

Información importante para saber acerca de los estantes y tapas de vidrio:

No limpie los estantes y tapas de vidrio con agua caliente mientras están fríos. Los estantes y tapas pueden romperse si se exponen a cambios bruscos de temperatura o impacto, como sería un golpe brusco. El vidrio templado se ha diseñado para hacerse añicos. Esto es normal. Los estantes y tapas de vidrio son muy pesados. Use ambas manos al sacarlos para evitar que se caigan.

Cómo quitar y volver a colocar las puertas del refrigerador

NOTA: Mida el ancho de la abertura de la puerta para ver si es necesario sacar las puertas del refrigerador para hacer entrar el mismo en su hogar. Si es necesario quitar las puertas, vea las instrucciones a continuación.

IMPORTANTE: Si el refrigerador fue instalado previamente y usted lo va a sacar fuera de la casa, antes de comenzar APAGUE el control del refrigerador. Desenchufe el refrigerador o desconecte el suministro de energía. Quite todos los alimentos y los recipientes ajustables o de uso múltiple de las puertas.

Reúna las herramientas necesarias y lea todas las instrucciones antes de quitar las puertas.

HERRAMIENTAS NECESARIAS: Llave hexagonal en L de $\frac{3}{16}$ " y destornillador Phillips N° 2



⚠ ADVERTENCIA

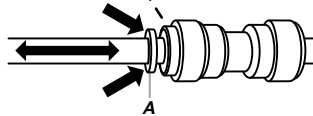
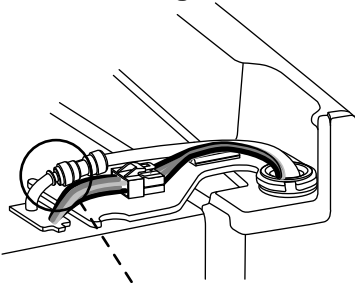
Peligro de Choque Eléctrico

Desconecte el suministro de energía antes de sacar las puertas.

No seguir esta instrucción puede ocasionar la muerte o choque eléctrico.

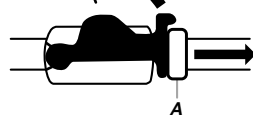
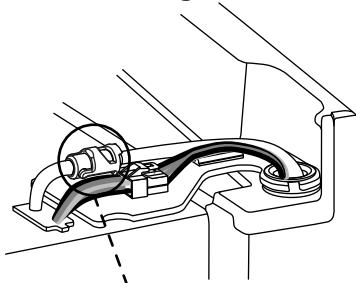
Cómo quitar y volver a colocar las puertas

Estilo 1 – Conexión de la tubería del despachador de agua



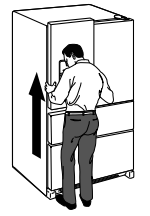
A. Anillo exterior

Estilo 2 – Conexión de la tubería del despachador de agua

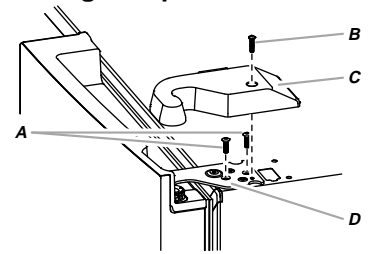


A. Anillo exterior

Cómo quitar la puerta



Bisagra superior derecha



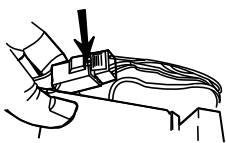
A. Tornillos internos de cabeza hexagonal de $\frac{3}{16}$ "

B. Tornillo para la cubierta de la bisagra

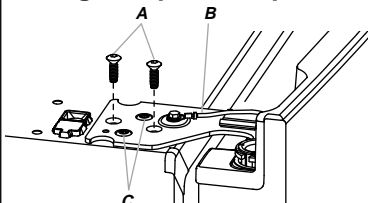
C. Cubierta superior de la bisagra

D. Bisagra superior

Enchufe de cableado



Bisagra superior izquierda



A. Tornillos internos de cabeza hexagonal de $\frac{3}{16}$ "

B. Alambre a tierra (no lo quite)

C. No quite los tornillos

Quite la puerta del refrigerador del lado derecho

⚠ ADVERTENCIA



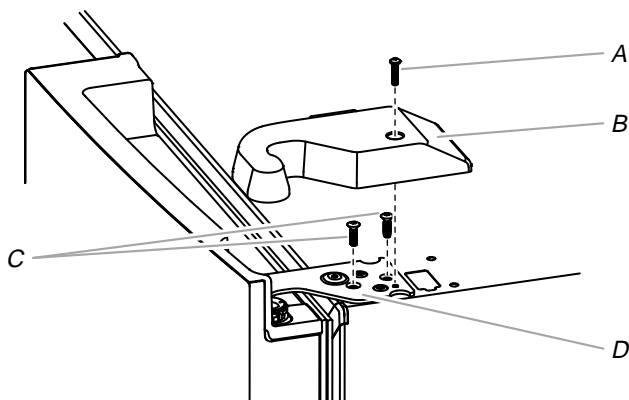
Peligro de Choque Eléctrico

Desconecte el suministro de energía antes de sacar las puertas.

No seguir esta instrucción puede ocasionar la muerte o choque eléctrico.

1. Desenchufe el refrigerador o desconecte el suministro de energía.
2. Mantenga las puertas del refrigerador cerradas hasta que esté listo para levantarlas y quitarlas de la carcasa.
NOTA: Mientras quita las bisagras siempre disponga de un soporte adicional para la puerta del refrigerador. No se confíe en que los imanes de la junta de las puertas van a sostener la puerta en su lugar mientras trabaja.
3. Quite con un destornillador Phillips la cubierta de la bisagra superior.
4. Con una llave hexagonal en L de $\frac{3}{16}$ " , quite los dos tornillos internos de cabeza hexagonal de la bisagra superior; déjelos a un lado.

NOTA: No quite los dos tornillos de ubicación. Estos tornillos le ayudarán a alinear la bisagra cuando vuelva a colocar la puerta.



A. Tornillo de la cubierta de la bisagra superior

B. Cubierta de la bisagra superior

C. Tornillos internos de cabeza hexagonal de $\frac{3}{16}$ "

D. Bisagra superior

⚠ ADVERTENCIA

Peligro de Peso Excesivo

Use dos o más personas para levantar la puerta del refrigerador.

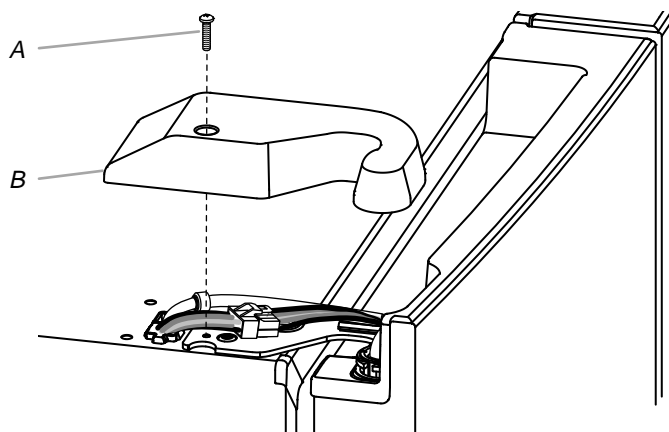
No seguir esta instrucción puede ocasionar una lesión en la espalda u otro tipo de lesiones.

5. Levante y saque la puerta del refrigerador del pasador inferior de la bisagra. La bisagra superior se saldrá junto con la puerta.

Quite la puerta del refrigerador del lado izquierdo

IMPORTANTE: La tubería y el cableado para el despachador de agua pasan a través de la bisagra de la puerta del lado izquierdo, de modo que deberán ser desconectados antes de quitar la puerta.

1. Quite con un destornillador Phillips la cubierta de la bisagra superior.



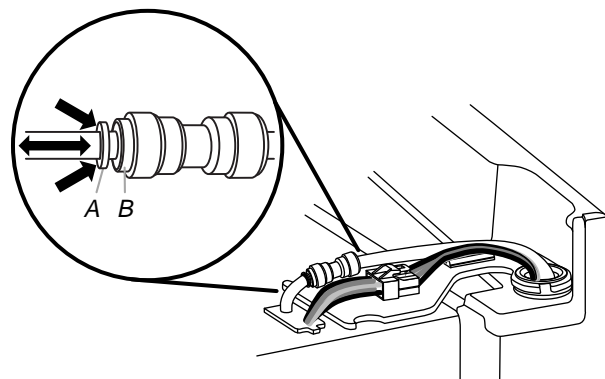
A. Tornillo de la cubierta de la bisagra superior

B. Cubierta de la bisagra superior

2. Desconecte la tubería del despachador de agua ubicada en la parte superior de la bisagra de la puerta.

Estilo 1 - Presione el anillo exterior contra la cara del encaje y jale suavemente la tubería del despachador para liberarla.

NOTA: La tubería del despachador de agua permanece sujeta a la puerta del refrigerador del lado izquierdo.

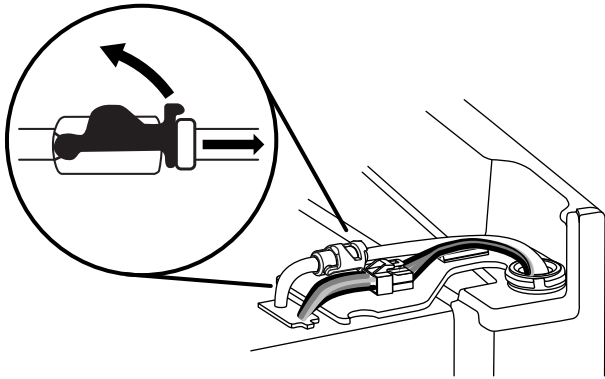


A. Anillo exterior

B. Cara del encaje

Estilo 2 – Jale hacia arriba con firmeza la abrazadera de enganche y jale la tubería del accesorio.

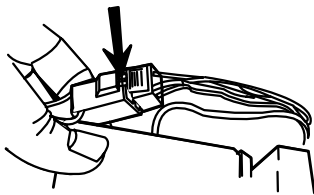
NOTA: La tubería del despachador de agua permanece sujeta a la puerta del refrigerador del lado izquierdo.



3. Desconecte el enchufe de cableado que está ubicado en la parte superior de la bisagra de la puerta.

- Sujete cada lado del enchufe de cableado. Con el pulgar izquierdo, presione hacia abajo para liberar el seguro y jale las secciones del enchufe para separarlas.

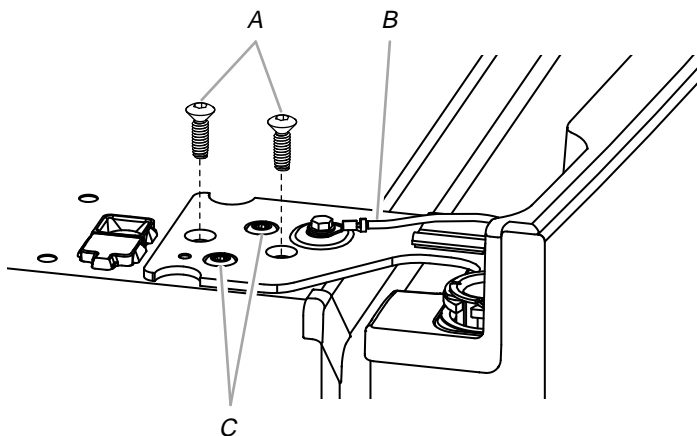
NOTA: No quite el cable a tierra verde. Deberá permanecer sujeto a la bisagra de la puerta.



4. Con una llave hexagonal en L de 3/16", quite los dos tornillos internos de cabeza hexagonal de la bisagra superior; déjelos a un lado.

NOTAS:

- Mientras quita las bisagras, siempre disponga de un soporte adicional para la puerta del refrigerador. No se confíe en que los imanes de la junta de las puertas van a sostener la puerta en su lugar mientras trabaja.
- No quite los dos tornillos de ubicación. Estos tornillos le ayudarán a alinear la bisagra cuando vuelva a colocar la puerta.



A. Tornillos internos de cabeza hexagonal de 3/16"
B. Alambre a tierra (no lo quite)

C. Tornillos de ubicación (no los quite)

5. Levante y saque la puerta del refrigerador del pasador inferior de la bisagra. La bisagra superior se saldrá junto con la puerta.

NOTA: Quizá no sea necesario quitar las bisagras centrales y los conjuntos de patas con freno para hacer pasar el refrigerador por una puerta.

- Sólo si es necesario, use una llave con punta de barrena cuadrada N° 2 para quitar las bisagras inferiores y una llave de tuercas de 3/8" para quitar los tornillos de las patas con freno.

Vuelva a colocar la puerta del refrigerador del lado derecho

1. Coloque la puerta del lado derecho sobre el pasador de la bisagra inferior.
2. Inserte el pasador de la bisagra superior en el orificio abierto de la parte superior de la puerta del refrigerador.
3. Sujete la bisagra a la carcasa con los dos tornillos hexagonales internos de 3/16". No apriete completamente los tornillos.

Vuelva a colocar la puerta del refrigerador del lado izquierdo

IMPORTANTE: No entrelace la tubería de agua con el haz de cables cuando los reconecte.

1. Coloque la puerta del lado izquierdo sobre el pasador de la bisagra inferior.
2. Sujete la bisagra a la carcasa con los dos tornillos hexagonales internos de 3/16". No apriete completamente los tornillos.
3. Vuelva a conectar la tubería del despachador de agua.

Estilo 1 - Empuje la tubería en el accesorio hasta que se detenga y el anillo exterior esté tocando la cara del accesorio.

Estilo 2 - Inserte la tubería firmemente dentro del accesorio hasta que se detenga. Cierre la abrazadera de enganche alrededor de la tubería. La abrazadera de enganche encaja a presión en su lugar entre el accesorio y el collar.

4. Vuelva a conectar el cableado eléctrico.
 - Empuje y una las dos secciones del enchufe de cableado.

Pasos finales

1. Apriete por completo los cuatro tornillos internos de cabeza hexagonal (dos en la bisagra de la puerta del lado derecho y dos en la bisagra de la puerta del lado izquierdo).
2. Vuelva a colocar ambas cubiertas de las bisagras superiores.

Cómo quitar y volver a colocar los frentes de los cajones

Según el ancho de la abertura de la puerta, tal vez sea necesario sacar los frentes de los cajones para hacer entrar el refrigerador en su hogar.

IMPORTANTE:

- Si el refrigerador fue instalado previamente y usted lo va a sacar fuera de la casa, antes de comenzar, APAGUE el refrigerador y desenchúfelo o desconecte el suministro de energía. Retire los alimentos de los cajones.
- Tal vez se necesiten dos personas para quitar y volver a colocar los frentes de los cajones.

Herramientas necesarias: Llave de cubo de cabeza hexagonal de 1/4", destornillador de hoja plana

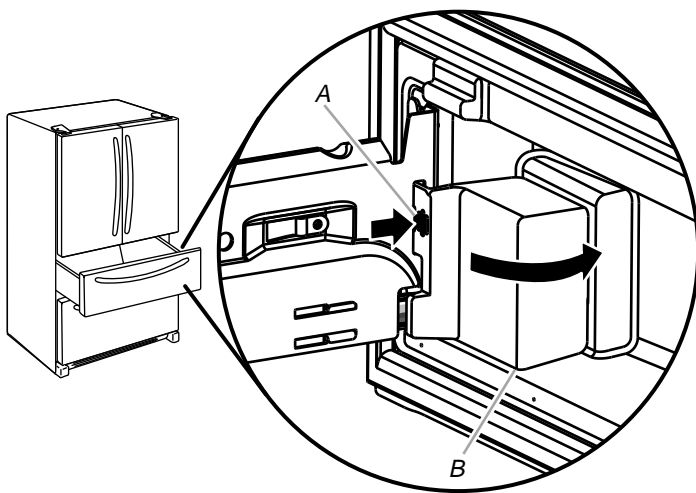
Cajón refrigerado

Desconecte el cableado

NOTAS:

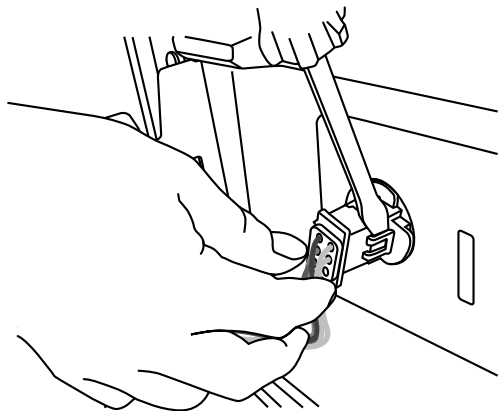
- El frente del cajón refrigerado exterior está conectado al control de temperatura. Los cables deben estar desconectados del control de temperatura antes de quitar el frente del cajón.
- El cable gris visible detrás y debajo del cajón-despensa del lado derecho tiene el cableado para el control de la despensa y se mueve con el cajón a medida que lo abre. No hay necesidad de desconectar este cable.

1. Abra el cajón en toda su extensión y retire el depósito interior grande.
2. Coloque la cubierta del cableado en la parte posterior del frente del cajón. Presione la lengüeta en la cubierta para soltar los conectores y quite la cubierta para dejar al descubierto la conexión del cableado.



A. Presione la lengüeta B. Cubierta de conexión del cableado

3. En un lado del conector del cableado, inserte la hoja del destornillador entre la lengüeta del conector y el conector para liberarlo. Repita el procedimiento para el lado opuesto. Jale el conector de cableado para separarlo.

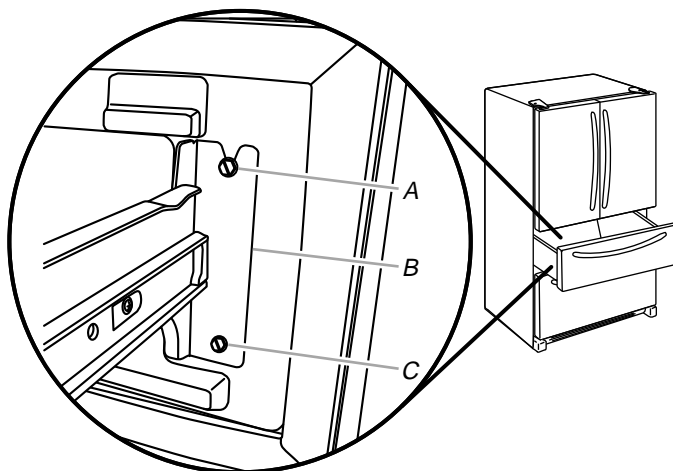


Para quitar el frente del cajón

1. Con una llave de cubo de cabeza hexagonal de 1/4", saque los dos tornillos de la parte inferior (uno de cada lado) y sujete el frente del cajón a las guías.
2. Con una llave de cubo de cabeza hexagonal de 1/4", afloje los dos tornillos de la parte superior (uno de cada lado) y sujete el frente del cajón a las guías.

NOTA: Afloje los tornillos girándolos tres o cuatro veces. Mantenga los tornillos en el frente del cajón.

3. Levante el frente del cajón hacia arriba y sepárelo de los soportes de la guía del cajón.



A. Afloje los tornillos de la parte superior B. Soporte de la guía del cajón C. Quite los tornillos de la parte inferior

4. Deslice las guías del cajón nuevamente dentro del refrigerador.

Para volver a colocar el frente del cajón

1. Jale las guías del cajón hasta extenderlas por completo.
2. Baje los tornillos flojos de la parte superior del frente del cajón y colóquelos en las muescas superiores de las guías del cajón.

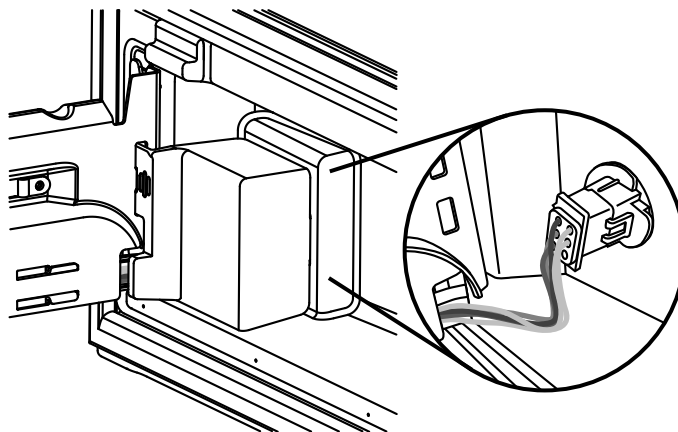
NOTA: Será una ayuda si una persona sostiene las guías del cajón con firmeza mientras la otra persona alinea el frente del mismo e inserta los tornillos en las muescas.

3. Alinee los orificios de la parte inferior del frente del cajón con los orificios de la parte inferior de las guías del cajón y sujételos con los tornillos que quitó anteriormente.
4. Ajuste los dos tornillos superiores.

Reconecte el cableado

1. Alinee los dos extremos del conector de cableado y empújelos hasta escuchar un sonido de chasquido y sienta que las lengüetas encajan en el conector.
2. Jale con suavidad de la conexión del cableado para asegurarse de que la misma está ajustada por completo. Vuelva a colocar la cubierta de cableado.

NOTA: La conexión de cableado debe estar completa para que funcione el control de temperatura del cajón.

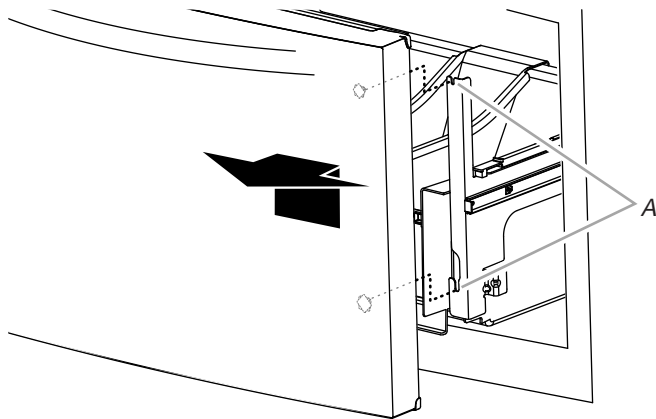


3. Reemplace el depósito interior.

Cajón del congelador

Para quitar el frente del cajón

1. Abra el cajón del congelador en toda su extensión.
2. Afloje los dos tornillos de la parte superior que ajustan el frente del cajón a las guías. Los dos tornillos (uno del lado izquierdo y el otro del lado derecho) se ubican dentro del frente del cajón.
3. Levante el frente del cajón para liberar los taquetes de plástico de las ranuras del soporte de la guía del cajón.



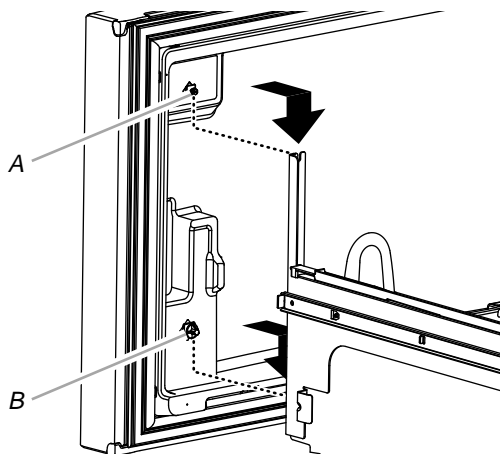
A. Ranuras del soporte de la guía del cajón

4. Deslice las guías del cajón nuevamente dentro del congelador.

Para volver a colocar el frente del cajón

1. Jale las guías del cajón del congelador hasta su máxima extensión.
2. Sujetando el frente del cajón por los lados, alinee los dos taquetes de plástico que se encuentran en la parte inferior, dentro del frente del cajón, con las ranuras del soporte de la guía del cajón.

NOTA: Será una ayuda si una persona sostiene las guías del cajón con firmeza mientras la otra persona alinea el frente del mismo e inserta los taquetes en las ranuras.



A. Tornillo del frente del cajón

B. Taquete de plástico del frente del cajón

3. Vuelva a colocar y ajuste los dos tornillos que están en la parte superior del frente del cajón (uno en el lado izquierdo y el otro en el lado derecho).

Pasos finales

⚠ ADVERTENCIA



Peligro de Choque Eléctrico

Conecte a un contacto de pared de conexión a tierra de 3 terminales.

No quite la terminal de conexión a tierra.

No use un adaptador.

No use un cable eléctrico de extensión.

No seguir estas instrucciones puede ocasionar la muerte, incendio o choque eléctrico.

1. Conecte a un contacto de pared de conexión a tierra de 3 terminales.
2. Vuelva a ajustar los controles. Vea "Uso de los controles" y "Cajón exterior con temperatura controlada".
3. Regrese todas las piezas desmontables y los alimentos a los cajones.

Requisitos de ubicación

⚠ ADVERTENCIA



Peligro de Explosión

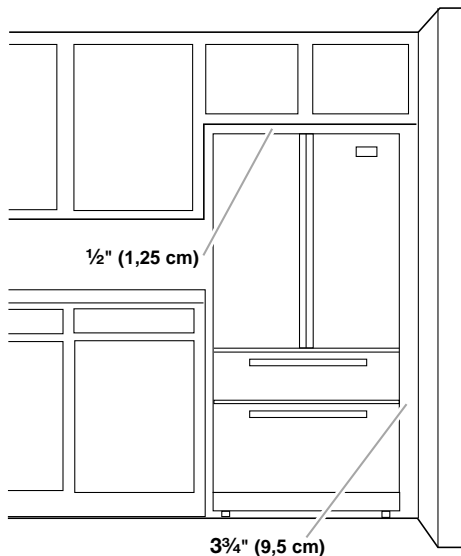
Mantenga los materiales y vapores inflamables, tales como gasolina, alejados del refrigerador.

No seguir esta instrucción puede ocasionar la muerte, explosión, o incendio.

IMPORTANTE: Este refrigerador ha sido diseñado para usarse solamente en el interior del hogar.

Para asegurar la adecuada ventilación de su refrigerador, deje un espacio de 1/2" (1,25 cm) a cada lado y por encima. Deje un espacio de 1" (2,54 cm) detrás del refrigerador. Si su refrigerador tiene fábrica de hielo, asegúrese que hay espacio adicional atrás para las conexiones de la línea de agua. Cuando instale el refrigerador próximo a una pared fija, deje un espacio mínimo de 3/4" (9,5 cm) entre el refrigerador y la pared, para permitir que la puerta se abra bien.

NOTA: Este refrigerador ha sido diseñado para usarse en un lugar en donde los rangos de temperatura varíen entre un mínimo de 55°F (13°C) y un máximo de 110°F (43°C). Para un óptimo rendimiento, el rango preferido de temperatura de la habitación (que reduce el uso de electricidad y provee un enfriamiento superior) es entre 60°F (15°C) y 90°F (32°C). No se recomienda instalar el refrigerador cerca de una fuente de calor, como puede ser un horno o un radiador.



Requisitos eléctricos

⚠ ADVERTENCIA



Peligro de Choque Eléctrico

Conecte a un contacto de pared de conexión a tierra de 3 terminales.

No quite la terminal de conexión a tierra.

No use un adaptador.

No use un cable eléctrico de extensión.

No seguir estas instrucciones puede ocasionar la muerte, incendio o choque eléctrico.

Antes de mover el refrigerador a su posición definitiva, es importante asegurarse que Ud. tiene la conexión eléctrica adecuada.

Método de conexión a tierra recomendado

Se requiere una fuente de energía eléctrica de 115 Voltios, 60 Hz., CA solamente y con fusibles de 15 ó 20 amperios, debidamente conectada a tierra. Se recomienda que se use un circuito separado sólo para su refrigerador. Use un tomacorriente que no se puede apagar con un interruptor. No use un cable eléctrico de extensión.

NOTA: Antes de realizar cualquier tipo de instalación, limpieza o de quitar un foco de luz, APAGUE el enfriamiento (Cooling OFF), y luego desconecte el refrigerador de la fuente de energía. Cuando Ud. haya terminado, reconecte el refrigerador a la fuente de energía eléctrica y ENCIENDA el enfriamiento (Cooling ON). Vea "Uso del (de los) control(es)".

Requisitos del suministro de agua

Se necesita un suministro de agua fría con presión de agua entre 35 y 120 lbs/pulg² (241 y 827 kPa) para hacer funcionar el despachador de agua y la fábrica de hielo. Si tiene preguntas acerca de la presión del agua, llame a un plomero competente autorizado.

NOTA: Si la presión de agua es menor de lo requerido, el flujo de agua del despachador de agua puede disminuir o los cubos de hielo pueden ser huecos o de tamaño irregular.

Suministro de agua por ósmosis inversa

IMPORTANTE: La presión del suministro de agua que sale de un sistema de ósmosis inversa y va a la válvula de entrada de agua del refrigerador deberá ser entre 35 y 120 lbs/pulg² (241 y 827 kPa).

Si se conecta un sistema de filtración de agua de ósmosis inversa al suministro de agua fría, la presión de agua al sistema de ósmosis inversa deberá ser de un mínimo de 40 a 60 lbs/pulg² (276 a 414 kPa).

- Fíjese si el filtro de sedimentos en el sistema de ósmosis inversa está bloqueado. Reemplácelo si fuera necesario.
- Deje que se vuelva a llenar el tanque de almacenaje del sistema de ósmosis inversa después del uso intenso. La capacidad del tanque podría ser demasiado pequeña para cumplir con los requisitos del refrigerador.
- **NOTA:** No se recomiendan sistemas de ósmosis inversa para montar en el grifo.
- Si su refrigerador tiene un filtro de agua, se podrá reducir la presión aún más si se usa en conjunto con un sistema de ósmosis inversa. Saque el filtro de agua. Vea "Sistema de filtración de agua".

Si tiene preguntas acerca de la presión del agua, llame a un plomero competente autorizado.

Conexión del suministro de agua

Lea todas las instrucciones antes de comenzar.

IMPORTANTE:

- La tubería se debe instalar de acuerdo con el Código internacional de plomería y cualquier norma y ordenanza local.
- El tubo de agua gris en la parte posterior del refrigerador (que se utiliza para hacer la conexión a la línea de agua de la casa) es una tubería de plástico PEX (polietileno reticulado). Son aceptables las conexiones de tuberías de cobre y PEX desde la línea de agua de la casa al refrigerador y ayudarán a evitar que el agua y el hielo tengan mal olor o sabor. Revise si hay fugas.
- Si se utiliza una tubería PEX en lugar de un tubería de cobre, recomendamos los siguientes números de pieza de Whirlpool: W10505928RP (PEX recubierto de 7 pies [2,14 m]), 8212547RP (PEX de 5 pies [1,52 m]), o W10267701RP (PEX de 25 pies [7,62 m]).
- Instale la tubería sólo en áreas donde la temperatura va a permanecer por encima del punto de congelación.

HERRAMIENTAS NECESARIAS:

Reúna las herramientas y piezas necesarias antes de comenzar la instalación.

- Destornillador de hoja plana
- Llaves de boca de $\frac{7}{16}$ " y $\frac{1}{2}$ " o dos llaves ajustables
- Llave de tuercas de $\frac{1}{4}$ "

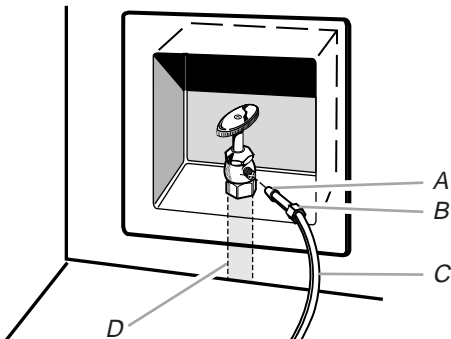
NOTA: No use una válvula perforadora o una válvula de montura de $\frac{3}{16}$ " (4,76 mm) que reduce el flujo de agua y se obstruye con más facilidad.

Conexión a la línea de agua

IMPORTANTE: Si enciende el refrigerador antes de conectar la tubería de agua, APAGUE la fábrica de hielo.

1. Desenchufe el refrigerador o desconecte el suministro de energía.
2. CIERRE el suministro principal de agua. ABRA la llave de agua más cercana el tiempo suficiente para que la tubería de agua se vacíe.
3. Use una válvula de cierre de un cuarto de vuelta o una equivalente, abastecida por una línea de cobre de suministro del hogar de $\frac{1}{2}$ ".

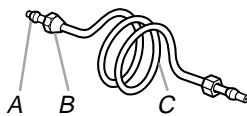
NOTA: Se recomienda una línea de suministro doméstica de un mínimo de $\frac{1}{2}$ " para permitir el flujo suficiente de agua al refrigerador.



A. Manguito
B. Tuerca
C. Tubería de cobre (al refrigerador)
D. Línea de suministro del hogar (mínimo de $\frac{1}{2}$ ")

4. Ahora está listo para conectar la tubería de cobre a la válvula de cierre. Use tubería de cobre blando de $\frac{1}{4}$ " (6,35 mm) de diámetro exterior, para conectar la válvula de cierre y el refrigerador.

- Asegúrese de tener la longitud adecuada necesaria para el trabajo. Asegúrese que ambos extremos de la tubería de cobre están cortados a escuadra.
- Deslice el manguito de compresión y la tuerca de compresión sobre la tubería de cobre como se muestra. Inserte el extremo de la tubería en el extremo de salida hasta donde sea posible. Atornille la tuerca de compresión al extremo de salida con una llave de tuercas ajustable. No apriete demasiado.



A. Manguito de compresión
B. Tuerca de compresión
C. Tubería de cobre

5. Coloque el extremo libre de la tubería en un recipiente o un fregadero, abra el suministro principal del agua y deje correr el agua por la tubería hasta que el agua salga limpia. Cierre la válvula de cierre del tubo de agua.

NOTA: Siempre desagüe la tubería de agua antes de efectuar la conexión final al orificio de entrada de la válvula de agua, para evitar un probable mal funcionamiento de la válvula de agua.

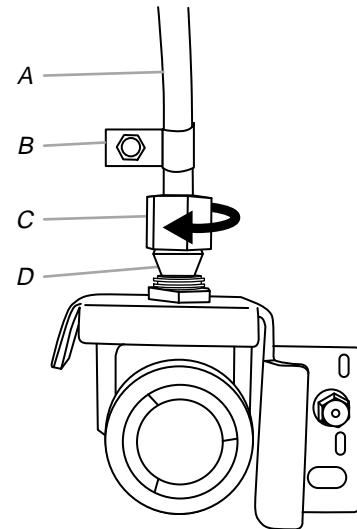
6. Doble la tubería de cobre para que alcance la entrada de la línea de agua, la cual está ubicada en la parte posterior de la carcasa del refrigerador, como se muestra. Deje un serpentín de tubería de cobre para que se pueda sacar el refrigerador del armario o alejarlo de la pared, para el servicio.

Conexión al refrigerador

Siga las instrucciones de conexión que sean específicas para su modelo.

Estilo 1

1. Saque la tapa de plástico del puerto de entrada de la válvula de agua. Fije el tubo de cobre a la entrada de la válvula usando una tuerca y manguito de compresión, como se muestra. Ajuste la tuerca de compresión. No apriete demasiado. Jale la tubería de cobre para asegurarse de que está firme.
2. Haga un lazo de servicio con la tubería de cobre. Evite las torceduras cuando enrolle la tubería de cobre. Asegure la tubería de cobre a la carcasa del refrigerador con una abrazadera en "P".



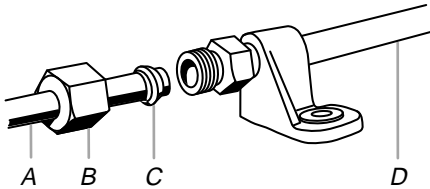
A. Tubería de cobre
B. Abrazadera en "P"
C. Tuerca de compresión
D. Manguito de compresión

3. Abra el suministro de agua al refrigerador y revise si hay fugas de agua. Tape cualquier fuga que encuentre.

Estilo 2

1. Desenchufe el refrigerador o desconecte el suministro de energía.
2. Quite y deseche la parte corta de plástico negro del extremo de la entrada de la línea de agua.
3. Enrosque la tuerca en el extremo de la tubería. Apriete la tuerca a mano. Luego apriétela dos vueltas más con una llave de tuercas. No apriete demasiado.

NOTA: Para evitar ruidos molestos, asegúrese de que la tubería de cobre no toque la pared lateral de la carcasa u otras partes dentro de misma.



A. Línea de agua de la casa
B. Tuerca (adquirida)
C. Férula (adquirida)
D. Tubería de agua del refrigerador

4. Instale la abrazadera para tubos de suministro de agua alrededor de la línea de suministro de agua, para reducir la tensión en el acoplamiento.
5. ABRA la válvula de cierre.
6. Revise si hay fugas. Ajuste las conexiones (incluso las de la válvula) o tuercas que tengan fugas.
7. En algunos modelos, la fábrica de hielo está equipada con un filtro de agua incorporado. Si las condiciones del agua local requieren un segundo filtro de agua, se debe instalar en la línea de agua de ¼" (6,35 mm) en cualquiera de las conexiones de la tubería. Obtenga un filtro de agua con el distribuidor de electrodomésticos.

Complete la instalación

⚠ ADVERTENCIA



Peligro de Choque Eléctrico

Conecte a un contacto de pared de conexión a tierra de 3 terminales.

No quite la terminal de conexión a tierra.

No use un adaptador.

No use un cable eléctrico de extensión.

No seguir estas instrucciones puede ocasionar la muerte, incendio o choque eléctrico.

1. Conecte a un contacto de pared de conexión a tierra de 3 terminales.
2. Enjuague el sistema de agua. Vea "Despachadores de agua y hielo".

NOTA: Deje transcurrir 24 horas para la producción del primer lote de hielo. Deshágase de los tres primeros lotes de hielo producidos. Deje transcurrir 3 días para que se vuelva a llenar el depósito de hielo.

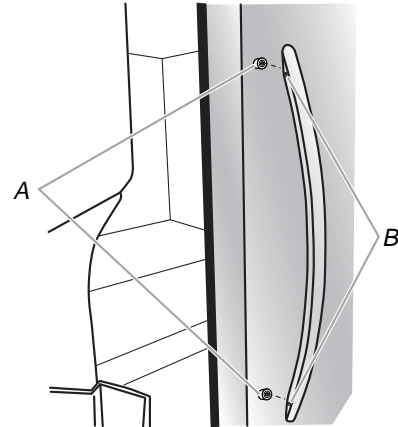
Instalación y remoción de las manijas

Piezas incluidas: Manijas de las puertas del refrigerador (2), manija del cajón del congelador (1), llave hexagonal en L de ⅛", tornillo(s) opresor(es) adicional(es)

Cómo instalar las manijas

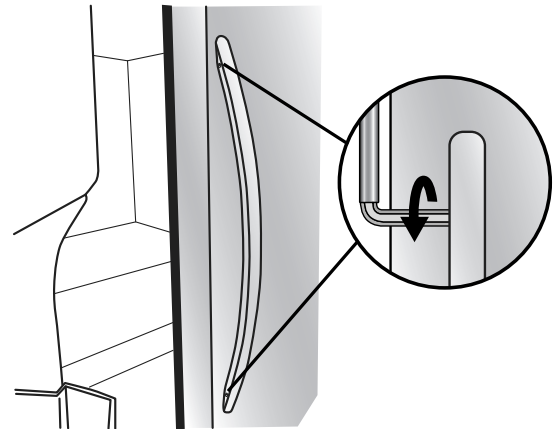
NOTA: Los tornillos opresores de montaje vienen preinstalados dentro de la manija.

1. Saque las manijas del paquete que está dentro del refrigerador y colóquelas sobre una superficie lisa.
2. Abra una puerta del compartimiento del refrigerador. Sobre la puerta cerrada, coloque una manija sobre los tornillos de tope, de modo que los tornillos opresores queden mirando hacia la puerta adyacente.



A. Tornillos de tope
B. Tornillos opresores dentro de la manija

3. Empuje con firmeza la manija hacia la puerta hasta que su base quede al mismo nivel que la puerta.
4. Mientras sostiene la manija, coloque el extremo corto de la llave hexagonal en L en el orificio superior y gire la llave hexagonal un poco, hasta afianzarla en el tornillo opresor.



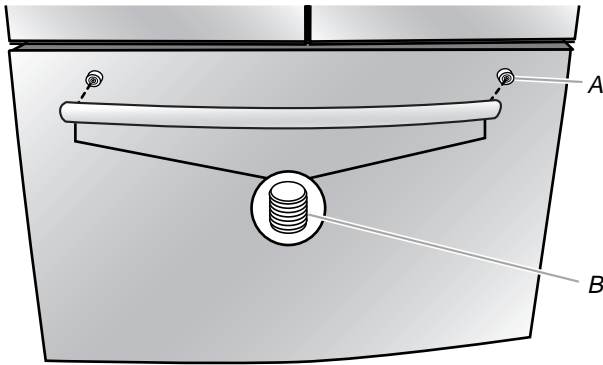
5. Con un movimiento de reloj, apriete el tornillo opresor apenas hasta que comience a hacer contacto con el tornillo de tope. No lo apriete por completo.
6. Repita los pasos 4 y 5 para afianzar el tornillo opresor inferior.
7. Una vez que ambos tornillos opresores hayan sido apretados parcialmente, como se indicó en los pasos anteriores, apriete por completo ambos tornillos opresores.

IMPORTANTE: Cuando los tornillos se sientan ajustados, apriételos un cuarto de giro adicional. La manija no está bien instalada si no la aprieta más de esta manera.

- Repita los pasos 2 a 7 para instalar la otra manija en la puerta adyacente del refrigerador.

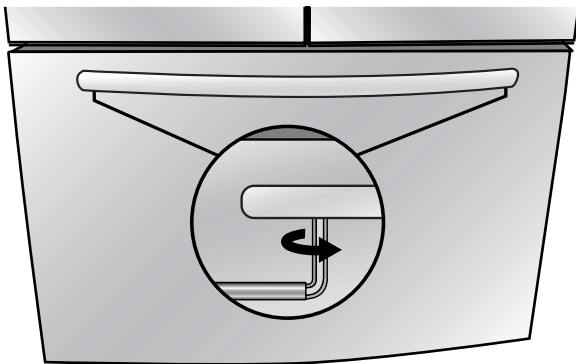
Cajones del refrigerador y del congelador

- Con el cajón del congelador cerrado, coloque la manija sobre los tornillos de tope, de modo que los tornillos opresores queden mirando hacia el piso.



A. Tornillo de tope
B. Tornillos opresores dentro de la manija

- Empuje con firmeza la manija hacia el cajón hasta que su base quede al mismo nivel que el cajón.
- Inserte el extremo pequeño de la llave hexagonal en L en el orificio del lado izquierdo y gire la llave hexagonal un poco, hasta afianzarla en el tornillo opresor.



- Con un movimiento de izquierda a derecha, apriete el tornillo opresor un cuarto de vuelta por vez, apenas hasta que comience a hacer contacto con el tornillo de tope. No lo apriete por completo.
 - Repita los pasos 11 y 12 para afianzar el tornillo opresor derecho al tornillo de tope.
 - Una vez que ambos tornillos opresores hayan sido apretados parcialmente, como se indicó en los pasos anteriores, apriete por completo ambos tornillos opresores.
- IMPORTANTE:** Cuando los tornillos se sientan ajustados, apriételos un cuarto de giro adicional. La manija no está bien instalada si no la aprieta más de esta manera.
- Guarde la llave hexagonal en L y todas las instrucciones.

Cómo sacar las manijas

- Mientras sostiene la manija, coloque el extremo corto de la llave hexagonal en L en el orificio de un tornillo opresor y gire la llave hexagonal en L un poco hasta afianzarla en el tornillo opresor.
- Afloje el tornillo opresor girando de derecha a izquierda un cuarto de vuelta por vez.
- Repita los pasos 1 y 2 para el otro tornillo opresor. Jale lentamente la manija hacia fuera de la puerta o del cajón.
- Si es necesario, use un destornillador Phillips para quitar los tornillos de tope de la puerta.

Nivelación del refrigerador, cierre y alineamiento de las puertas

La rejilla de la base cubre los ensamblajes de las patas con freno regulables y los rodillos, ubicados en la base del refrigerador, debajo del cajón del congelador. Antes de hacer cualquier ajuste, quite la rejilla de la base y traslade el refrigerador hacia su ubicación final.

Herramientas necesarias: Llave hexagonal de ¼"

Herramientas provistas: Llave hexagonal en L de ⅛"

- Quite la rejilla de la base. Tome la rejilla con firmeza y tire de ella hacia usted. Abra el cajón del congelador para obtener acceso a la pata con freno.

NOTA: Para permitir que el refrigerador se deslice con más facilidad, levante las patas con freno girándolas hacia la izquierda. Los rodillos frontales tocarán el piso.



- Mueva el refrigerador a su ubicación final.
- Con una llave hexagonal de ¼", baje las patas con freno girándolas hacia la derecha hasta que los rodillos queden separados del piso y ambas patas con freno estén apretadas contra el piso. Esto evita que el refrigerador ruede hacia delante cuando se abran las puertas del refrigerador o el cajón del congelador.

IMPORTANTE: Si usted necesita hacer otros ajustes con las patas con freno, deberá girar ambas la misma cantidad de veces para mantener nivelado el refrigerador.

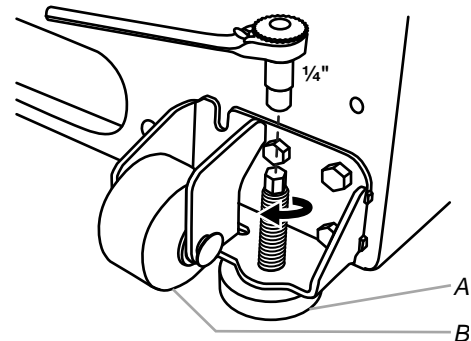
- Cerciórese de que las puertas se cierren con facilidad. Si está satisfecho con la abertura y el cierre de las puertas, saltee la próxima sección y vaya a "Alineamiento de las puertas". Si las puertas no se cierran con facilidad o se abren de golpe, regule la inclinación.

Cómo regular la inclinación de la carcasa:

- Abra el cajón del congelador. Use una llave hexagonal de ¼" para girar ambas patas con freno hacia la derecha la misma cantidad de veces. Esto hará que se levante el frente del refrigerador. Es posible que tome varias vueltas para permitir que las puertas se cierren con más facilidad.

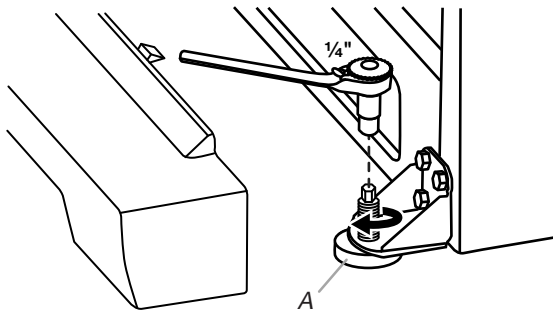
NOTA: Para quitar un poco de peso de las patas con freno, haga que alguien empuje la parte superior del refrigerador. Esto facilita el girarlas.

Estilo 1



A. Pata con freno
B. Gire hacia la derecha para levantar.

Estilo 2



A. Pata con freno

5. Cerciórese de que las puertas estén parejas en la parte superior y que el espacio entre la parte inferior de las puertas del refrigerador y la parte superior del cajón del congelador esté parejo. Alinee las puertas si es necesario.

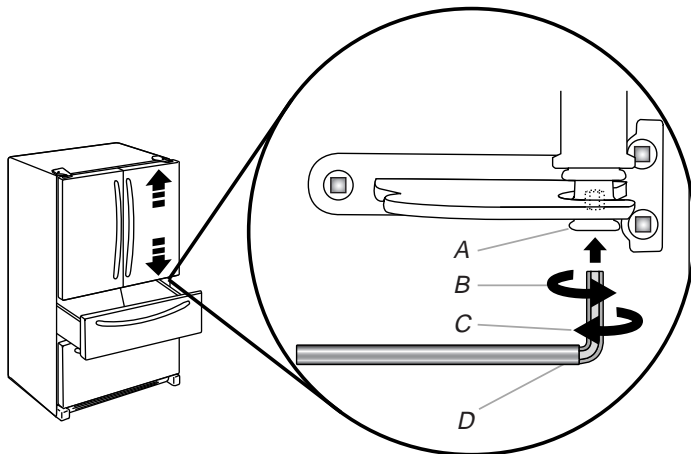
Para alinear las puertas:

- Jale hacia fuera el cajón del congelador, manteniendo cerradas ambas puertas del refrigerador. Ubique el pasador de la bisagra inferior en la puerta del refrigerador del lado derecho. El tornillo de alineamiento está en el interior del pasador de la bisagra inferior.
- Inserte el extremo corto de la llave hexagonal en L de 1/8" (empacada con las instrucciones de instalación de la manija de la puerta) dentro del pasador de la bisagra inferior hasta que quede enganchado por completo en el tornillo de alineamiento.

Para levantar la puerta, gire la llave hexagonal en L hacia la derecha.

Para bajar la puerta, gire la llave hexagonal en L hacia la izquierda.

- Continúe girando el tornillo de alineamiento hasta que las puertas queden alineadas.



- A. Pasador de la bisagra inferior
B. Gire hacia la derecha para levantar
C. Gire hacia la izquierda para bajar
D. Llave hexagonal en L de 1/8"

6. Asegúrese de que el refrigerador esté estable. Si el refrigerador parece inestable o se desliza hacia adelante cuando se jala la puerta o el cajón para abrirla/o, regule las patas con freno.

Para estabilizar el refrigerador:

- Abra el cajón del congelador. Con una llave hexagonal de 1/4", gire ambas patas con freno hacia la derecha la misma cantidad de veces hasta que queden ajustadas contra el piso. Verifique de nuevo. Si no está satisfecho, continúe regulando las patas con freno girando el tornillo media vuelta hasta que el refrigerador no rueda hacia adelante cuando se abra el cajón.

NOTA: Para quitar un poco de peso de las patas con freno, haga que alguien empuje la parte superior del refrigerador. Esto facilita el giro de los tornillos.

7. Vuelva a colocar la rejilla de la base alineando los extremos de la misma con los ensamblajes niveladores que están a cada lado y encajando la rejilla a presión en su lugar.

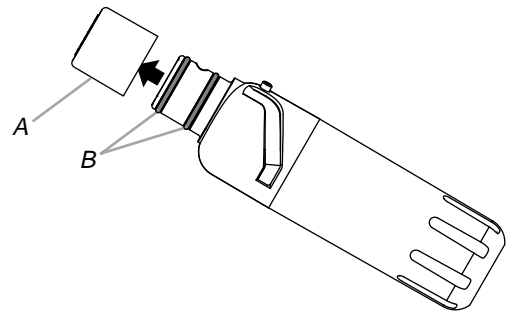
FILTROS Y ACCESORIOS

Sistema de filtración de agua

No use con agua que no sea microbiológicamente segura o que sea de calidad desconocida sin desinfectarla adecuadamente antes o después del sistema. Pueden usarse sistemas certificados para la reducción de quistes en aguas desinfectadas que puedan contener quistes filtrables.

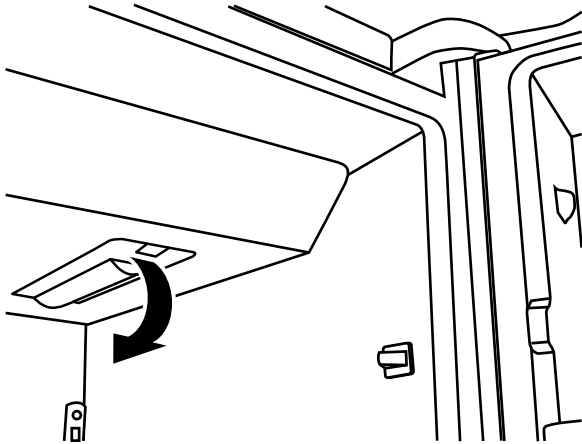
Instalación del filtro de agua

1. Ubique el paquete con accesorios en el refrigerador y saque el filtro de agua.
2. Saque el filtro de agua de su empaque y quite la cubierta de las juntas tóricas. Asegúrese de que las juntas tóricas sigan en su lugar después de que se quitó la cubierta.



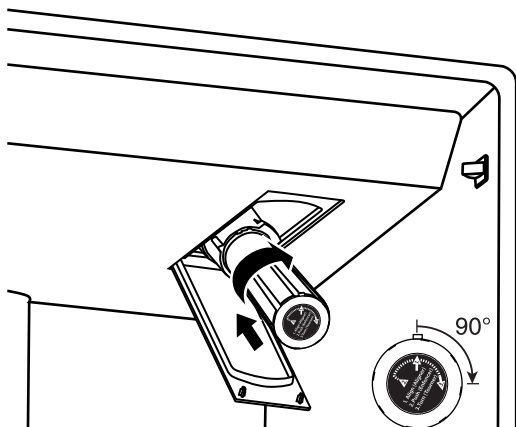
- A. Cubierta de la junta tórica
B. Juntas tóricas

- El compartimiento del filtro de agua está ubicado en la esquina derecha del techo del refrigerador. Empuje la puerta del compartimiento para liberar el seguro; luego baje la puerta.



- Alinee la flecha sobre la etiqueta del filtro del agua con la muesca del recorte en el alojamiento del filtro; inserte el filtro dentro del alojamiento.
- Gire el filtro 90 grados ($\frac{1}{4}$ de giro) hacia la derecha hasta que se trabe en el alojamiento.

NOTA: Si el filtro no se traba correctamente en el alojamiento, el despachador de agua no funcionará. No saldrá agua del despachador.



- Mientras la puerta del compartimiento está abierta, levante el filtro dentro del compartimiento. Luego cierre por completo la puerta del compartimiento del filtro.
- Enjuague el sistema de agua. Consulte "Enjuague el sistema de agua" en la sección "Despachadores de agua y hielo".

IMPORTANTE: Si no enjuaga el sistema de agua, tal vez gotee el agua y/o disminuya el flujo del despachador de agua.

La luz de estado del filtro de agua

Presione OPTIONS (Opciones) en el panel de control para ver el menú de opciones. Presione nuevamente OPTIONS (Opciones), debajo de Filter Status (Estado del filtro), para que aparezca el porcentaje de la vida útil restante del filtro (de 99% a 0%). Presione ICE/WATER (Hielo/Agua), debajo de Back (Atrás), para volver a la pantalla normal.

Las luces de estado del filtro de agua le ayudarán a saber cuándo cambiar el filtro de agua.

- ORDER FILTER (Pedir filtro) (amarillo)** - Es casi tiempo de cambiar el filtro de agua. Mientras está despachando agua, "Order Filter" (Pedir filtro) destellará siete veces y sonará un tono de alerta tres veces.
- REPLACE FILTER (Reemplazar filtro) (rojo)** - Reemplace el filtro de agua. Mientras está despachando agua, "Replace Filter" (Reemplazar el filtro) destellará siete veces y sonará un tono de alerta tres veces.
- RESET (Reajustar)** Es la característica de seguimiento del estado del filtro de agua. Después de reemplazar el filtro de agua desechable con un nuevo filtro, al cerrar la puerta del compartimiento del filtro se reajustará automáticamente la característica de seguimiento del estado del filtro. Vea "Uso del (de los) control(es)".

NOTA: Se iluminará REPLACE FILTER (Reemplazar filtro) si no se instala un filtro o si se instala de modo incorrecto.

Reemplazo del filtro de agua

Para comprar un filtro de agua de repuesto, vea "Accesorios".

Reemplace el filtro de agua desechable cuando se indique en la pantalla de estado del filtro o al menos cada 6 meses. Si el flujo de agua a su despachador o fábrica de hielo disminuye notoriamente, cambie el filtro de agua más pronto.

- Ubique el compartimiento del filtro de agua en la esquina derecha del techo del refrigerador. Empújelo para liberar y bajar la puerta del compartimiento.
- Gire el filtro de agua en el sentido contrario al de las manecillas del reloj (hacia la izquierda) y jálalo directo hacia fuera del compartimiento.

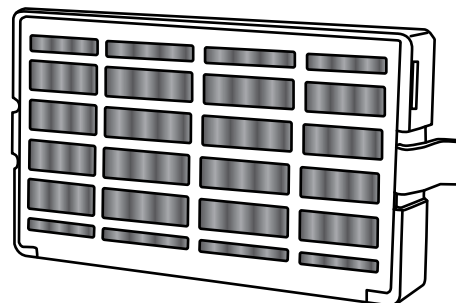
NOTA: Es posible que quede agua en el filtro. Es posible que se derrame un poco de esa agua. Use una toalla para secar cualquier derrame.

- Instale el filtro de agua de repuesto siguiendo los pasos 2 a 7 en la sección "Instalación del filtro de agua".

Instalación del filtro de aire (en algunos modelos)

Un filtro de aire es 15 veces más poderoso que el bicarbonato de sodio al reducir los olores comunes de los alimentos que se encuentran en el interior del refrigerador.

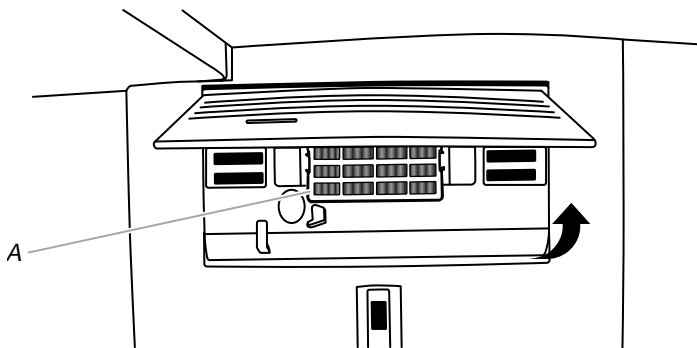
En algunos modelos, el paquete de accesorios del refrigerador incluye un filtro de aire, el cual debe instalarse antes del uso.



Cómo instalar el filtro de aire

Instale el filtro de aire detrás de la puerta con orificios de ventilación, que está ubicada en la pared posterior, cerca de la parte superior del compartimiento del refrigerador.

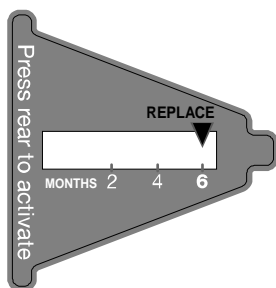
1. Saque el filtro de aire del paquete.
2. Levante la puerta con orificios de ventilación para abrirla.
3. Encaje el filtro en su lugar.



A. Filtro de aire

Cómo instalar el indicador de estado del filtro

El filtro viene con un indicador de estado, el cual se debe activar e instalar en el mismo momento que se instala el filtro de aire.



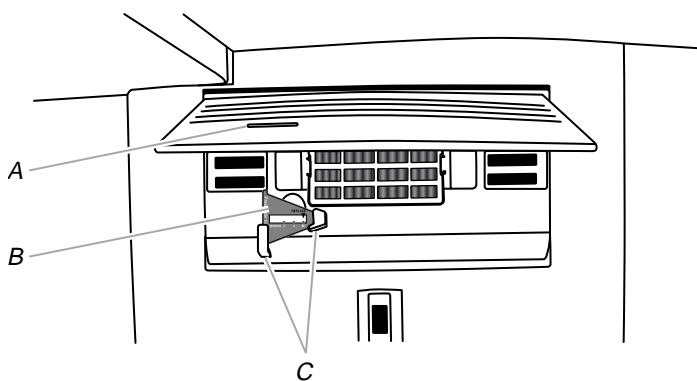
1. Coloque el indicador boca abajo sobre una superficie firme y plana.
2. Aplique presión sobre la burbuja ubicada en la parte posterior del indicador, hasta que ésta se revienta para activar el indicador.
3. Levante la puerta con orificios del filtro de aire para abrirla. En algunos modelos hay muescas detrás de la puerta.

Modelos con muescas:

- Con la pantalla indicadora mirando hacia fuera, deslice el indicador hacia abajo, dentro de las muescas.

NOTA: El indicador no se deslizará fácilmente dentro de las muescas si no se ha reventado la burbuja.

- Cierre la puerta del filtro de aire y revise que el indicador esté visible a través de la ventana en la puerta.



A. Ventana indicadora de estado
B. Indicador de estado del filtro de aire
C. Muecas

Modelos sin muescas:

- Coloque el indicador en donde pueda verse con facilidad, ya sea dentro del refrigerador o en cualquier lugar de la cocina o de la casa.

Cómo reemplazar el filtro de aire

El filtro de aire desechable deberá reemplazarse cada 6 meses, cuando el indicador de estado haya cambiado de blanco a rojo completamente.

Para pedir un filtro de aire de repuesto, póngase en contacto con nosotros. Consulte "Accesorios" para obtener información acerca de cómo hacer un pedido.

1. Quite el filtro de aire apretando las lengüetas laterales hacia dentro.
2. Quite el indicador de estado usado.
3. Instale el nuevo filtro de aire y el indicador de estado del filtro siguiendo las instrucciones en las secciones anteriores.

Accesorios

Los siguientes accesorios están disponibles para su refrigerador. Para hacer un pedido, contáctenos y pida los números de pieza.

En los EE.UU., visite nuestra página de internet, www.whirlpool.com/accessories o llame al **1-800-901-2042**.

En Canadá, visite nuestra página de internet, www.whirlpoolparts.ca o llame al **1-800-807-6777**.

Limpiador de acero inoxidable affresh®:

En EE.UU., pida la pieza N° W10355016
En Canadá, pida la pieza N° W10355016B

Toallitas húmedas para acero inoxidable affresh®:

En EE.UU., pida la pieza N° W10355049
En Canadá, pida la pieza N° W10355049B

Limpiador para cocina y electrodomésticos affresh®:

En EE.UU., pida la pieza N° W10355010
En Canadá, pida la pieza N° W10355010B

Filtro de agua:

Pida la pieza N° W10413645A o FILTER2

Filtro de aire:

Pida la pieza N° W10311524 o AIR1

Juego básico de preservador de alimentos:

Pida la pieza N° P1UB6S1

Juego de repuesto de preservador de alimentos:

Pida la pieza N° P1KC6R1

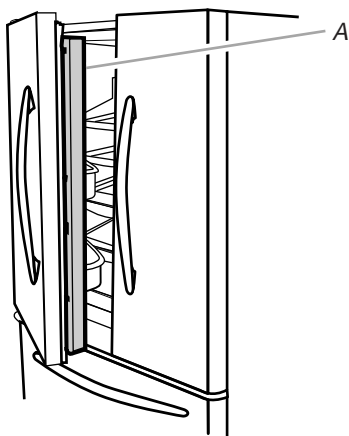
USO DE SU REFRIGERADOR

Cómo abrir y cerrar las puertas

El compartimiento del refrigerador tiene dos puertas. Las puertas pueden abrirse y cerrarse ya sea individualmente o a la vez.

Hay una junta con bisagras verticales en la puerta izquierda del refrigerador.

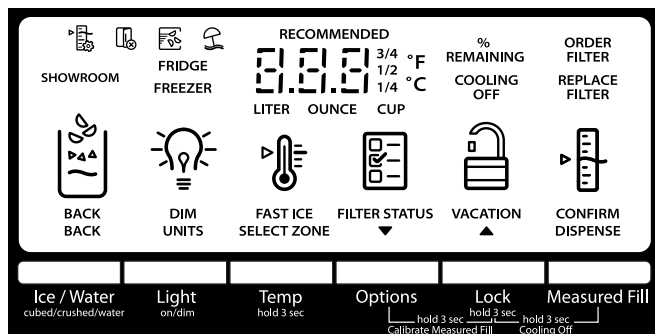
- Cuando se abre la puerta izquierda, la junta con bisagras se pliega hacia adentro automáticamente, para quedar fuera del camino.
- Cuando ambas puertas están cerradas, la junta con bisagras forma automáticamente un sello entre las dos puertas.



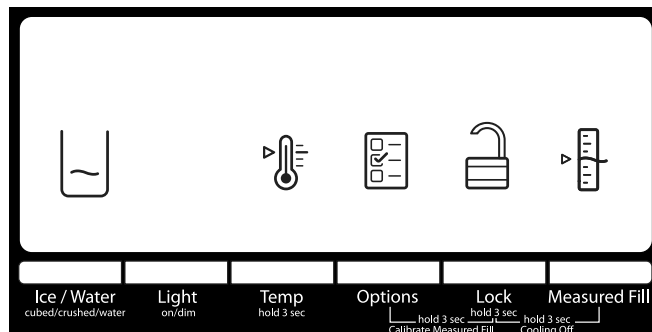
A. Junta con bisagras

Uso de los controles

Los controles se encuentran encima del despachador exterior.



IMPORTANTE: La pantalla en el panel de control del despachador se apagará automáticamente, e ingresará al modo de "dormir" cuando los botones del control y las paletas del despachador no se hayan utilizado por 2 minutos o más. Presione cualquier botón del control para reactivar la pantalla. La pantalla principal aparecerá como se muestra.



Cómo ver y regular los puntos de ajuste de temperatura

Para su comodidad, los controles de su refrigerador y congelador vienen prefijados de fábrica.

Cuando instale el refrigerador por primera vez, asegúrese de que los controles estén todavía fijados en los puntos de ajuste recomendados. Los puntos de ajuste recomendados de fábrica son 37 °F (3 °C) para el refrigerador y 0 °F (-18 °C) para el congelador.

IMPORTANTE:

- Espere 24 horas antes de colocar alimentos en el refrigerador. Si agrega alimentos antes de que el refrigerador se haya enfriado por completo, sus alimentos podrían echarse a perder.

NOTA: El poner los puntos de ajuste un ajuste más frío que el recomendado, no hará que el compartimiento se enfríe más rápido.

- Si la temperatura está demasiado caliente o demasiado fría en el refrigerador o en el congelador, antes de regular los controles, revise primero los orificios de ventilación para cerciorarse de que no estén obstruidos.
- Los ajustes recomendados deben ser los correctos para un uso doméstico normal del refrigerador. Los controles están ajustados correctamente cuando la leche o los jugos están tan fríos como Ud. desea y cuando el helado tiene consistencia firme.

NOTA: Las áreas tales como un garaje, un sótano o un porche pueden tener mayor humedad o temperaturas extremas. Tal vez necesite regular la temperatura a ajustes diferentes de los recomendados para adaptarse a estas condiciones.

- Espere por lo menos 24 horas entre ajustes. Vuelva a verificar las temperaturas antes de realizar otros ajustes.

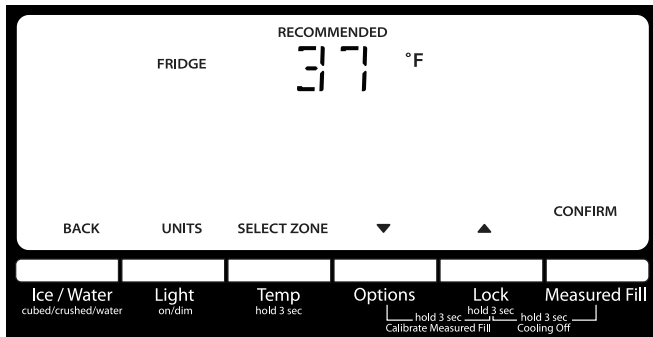
Cómo ver los puntos fijos de temperatura

1. Presione y sostenga TEMP (Temperatura) por 3 segundos para activar el modo de temperatura.

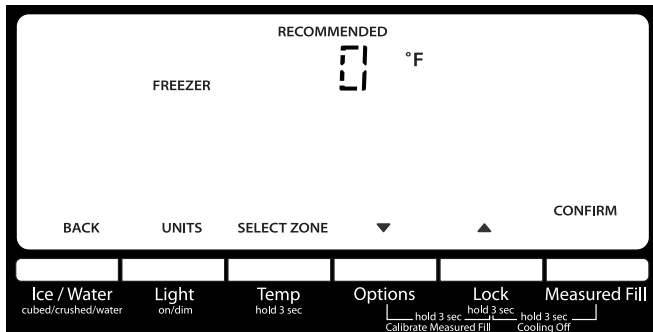
NOTA: Para ver la temperatura en grados Celsius, presione LIGHT (Luz), debajo de Units (Unidades), cuando el modo de ajuste esté activado. Para volver al ajuste en Fahrenheit, oprima el botón de LIGHT (Luz) nuevamente.

Cuando esté activado el modo de temperatura, presione TEMP (Temperatura) para alternar entre Fridge (Refrigerador) y Freezer (Congelador). La pantalla mostrará el punto fijo de temperatura del compartimiento seleccionado y la información para ajustar la temperatura aparecerá en la pantalla.

Temperatura recomendada del refrigerador



Temperatura recomendada del congelador



Quando regule los puntos de ajuste de la temperatura, utilice el siguiente cuadro como guía:

CONDICIÓN:	REGULACIÓN DE LA TEMPERATURA:
REFRIGERADOR demasiado frío	Ajuste del REFRIGERADOR 1° más alto
REFRIGERADOR demasiado caliente	Ajuste del REFRIGERADOR 1° más bajo
CONGELADOR demasiado frío	Ajuste del CONGELADOR 1° más alto
CONGELADOR demasiado caliente/muy poco hielo	Ajuste del CONGELADOR 1° más bajo

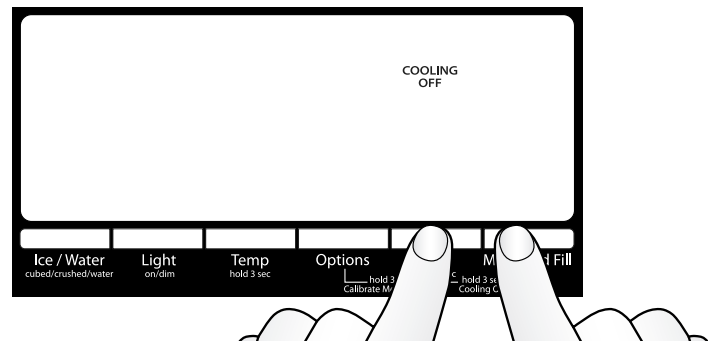
Encendido/Apagado del enfriamiento

Su refrigerador y congelador no se enfriarán cuando el enfriamiento esté apagado.

- Para apagar el enfriamiento, presione y sostenga los botones de LOCK (Bloqueo) y MEASURED FILL (Llenado medido) al mismo tiempo, por 3 segundos. El ícono de Cooling Off (Enfriamiento apagado) destellará siete veces y luego permanecerá encendido, como se muestra.

IMPORTANTE:

- Para evitar bloquear involuntariamente el despachador o cambiar otros ajustes, presione ambos botones exactamente al mismo tiempo.
- Cuando el enfriamiento esté apagado, las paletas del despachador y todos los controles, excepto Lock (Bloqueo) y Measured Fill (Llenado medido) estarán desactivados.



A. Presione LOCK (Bloqueo) y MEASURED FILL (Llenado medido) a la misma vez.

- Presione y sostenga nuevamente LOCK (Bloqueo) y MEASURED FILL (Llenado medido) por 3 segundos para volver a encender el enfriamiento.

Regule los puntos fijos de temperatura

Rango de punto fijo del refrigerador: 33 °F a 45 °F (0 °C a 7 °C).

Rango de punto fijo del congelador: -5 °F a 5 °F (-21 °C a -15 °C).

1. Cuando esté activado el modo de Temperature (Temperatura), presione TEMPERATURE (Temperatura) para seleccionar la zona del refrigerador. La pantalla mostrará el punto fijo de temperatura del compartimiento seleccionado, como se muestra.
2. Presione LOCK (Bloquear) para aumentar el punto de ajuste, o presione OPTIONS (Opciones) para bajarlo.
3. Cuando haya terminado de ver (y ajustar si lo desea) el punto de ajuste del refrigerador, presione TEMP (Temperatura), debajo de Select Zone (Seleccione la zona), para que se muestre el punto de ajuste del congelador en la pantalla. Cuando el área se haya cambiado, aparecerá "FREEZER" (Congelador) en la pantalla.
4. Presione el botón de LOCK (Bloqueo) para aumentar el punto de ajuste, o presione el botón de OPTIONS (Opciones) para bajarlo.

Cómo guardar/confirmar los ajustes de temperatura

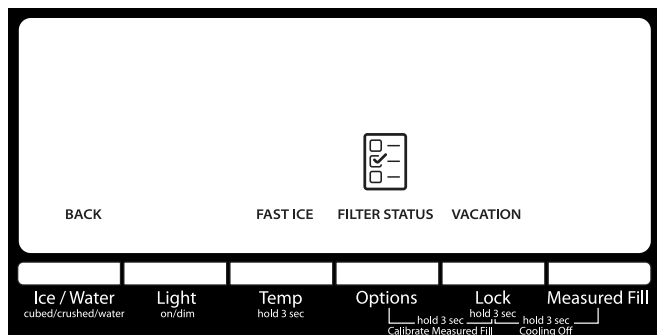
- Cuando haya terminado de ajustar los puntos de ajuste del refrigerador y del congelador, presione el botón de MEASURED FILL (Llenado medido) para confirmar y guardar los ajustes.

NOTA: Para salir del modo de Temperature (Temperatura) sin guardar los cambios, presione ICE/WATER (Hielo/Agua), debajo de Back (Atrás), en cualquier momento, o deje que transcurran 60 segundos de inactividad. El modo de temperatura se apagará automáticamente y volverá a la pantalla normal.

Opciones

Presione el botón OPTIONS (Opciones) para abrir el menú de opciones y seleccione entre Fast Ice (Hielo rápido), Filter Status (Estado del filtro) o Vacation mode (Modo de vacaciones).

Presione el botón ICE/WATER (Hielo/Agua) en cualquier momento para volver a la pantalla normal.



Fast Ice (Hielo rápido)

La característica Fast Ice (Hielo rápido) ayuda en los períodos de uso abundante de hielo aumentando la producción del mismo.

- Para encender la característica de Fast Ice (Hielo rápido), presione el botón de OPTIONS (Opciones) para ingresar al modo de Opciones; luego presione TEMP (Temperatura) debajo de Fast Ice (Hielo rápido) para activar la característica. Cuando la característica está encendida, el ícono de hielo rápido aparecerá en la pantalla del despachador. La característica de Fast Ice (Hielo rápido) permanecerá encendida durante 24 horas a menos que se apague manualmente.



- Para apagar manualmente la característica Fast Ice (Hielo rápido), presione el botón de OPTIONS (Opciones) para ingresar al modo de Opciones (a menos que ya esté en el mismo) y presione nuevamente TEMP (Temperatura), debajo de Fast Ice (Hielo rápido). Cuando se haya apagado la característica Fast Ice (Hielo rápido), desaparecerá su ícono de la pantalla del despachador.

Estado del filtro

Muestra el porcentaje de uso restante en el filtro de agua (de 100% restante a 0% restante).

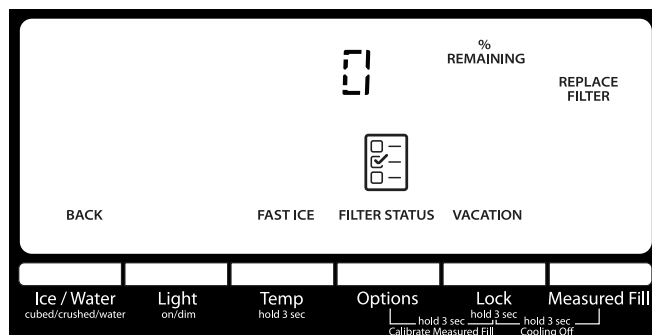
Para obtener acceso a Filter Status (Estado del filtro), presione el botón OPTIONS (Opciones) para acceder al menú de opciones; luego presione OPTIONS, debajo de Filter Status (Estado del filtro), para que aparezca el porcentaje de vida útil restante del filtro de agua.

ADEMÁS

Las luces de estado del filtro de agua le harán saber cuándo cambiar el filtro de agua.

- ORDER FILTER (Pedir filtro) (Amarillo) - Pida un filtro de agua de reemplazo.
- REPLACE FILTER (Reemplazar filtro) (Rojo) - Reemplace el filtro de agua. Al reemplazar el filtro de agua desechable, se reajustará automáticamente la característica de seguimiento de estado del filtro. Vea "Sistema de filtración de agua".

NOTA: Se iluminará REPLACE FILTER (Reemplazar filtro) si no se instala un filtro o si se instala de modo incorrecto.



Vacation Mode (Modo de vacaciones)

En Vacation Mode (Modo de vacaciones), el congelador se descongelará con menos frecuencia para conservar energía.

- Para encender el modo Vacation (Vacaciones), presione el botón OPTIONS (Opciones) para acceder al menú de opciones; luego presione LOCK (Bloqueo), debajo de Vacation (Vacaciones), para activar la característica. Cuando la característica está encendida, el ícono de Vacation (Vacaciones) aparecerá en la pantalla del despachador, como se muestra.
- Para apagar el modo Vacation (Vacaciones), presione el botón OPTIONS (Opciones) para acceder al menú de opciones; luego presione LOCK (Bloqueo) para apagar la característica. El ícono de Vacation (Vacaciones) desaparecerá de la pantalla y la misma volverá a los ajustes que tenía antes de encender el modo Vacation.



NOTAS:

- Durante la primera hora después de haberse activado el modo Vacation (Vacaciones), el abrir y cerrar la puerta del refrigerador no afectará el ajuste. Después de transcurrida 1 hora, el abrir y cerrar la puerta del refrigerador hará que se apague el modo Vacation (Vacaciones).
- Mientras esté el modo Vacation (Vacaciones), si se enciende Fast Ice (Hielo rápido) o suena la alarma de Door Ajar (Puerta entreabierta), se anulará el modo Vacation (Vacaciones).

Características adicionales

Alarma de puerta entreabierta

La característica de Door Ajar Alarm (Alarma de puerta entreabierta) hace sonar una alarma cuando la(s) puerta(s) del refrigerador o el cajón del congelador permanece(n) abierto/a(s) durante 5 minutos y está funcionando el enfriamiento. La alarma se repetirá cada 2 minutos. Cierre todas las puertas y el cajón para apagarla. La característica se vuelve a fijar entonces y se reactivará cuando se deje nuevamente cualquier puerta abierta durante 5 minutos.

- **NOTA:** Para silenciar la alarma audible mientras mantiene las puertas abiertas, como por ejemplo al limpiar el interior del refrigerador, presione cualquier botón en el panel de control. El sonido de la alarma estará apagado temporalmente, pero el ícono de Door Ajar (Puerta entreabierta) permanecerá en la pantalla del panel de control del despachador.



Desactivación de sonidos

- Para apagar los sonidos del control y del despachador, presione y sostenga ICE/WATER (Hielo/Agua) y MEASURED FILL (Llenado medido) a la vez durante 3 segundos. Todos los tonos normales de funcionamiento estarán desactivados. Solamente estarán audibles los tonos de alerta.
- Para volver a encender todos los sonidos, presione y sostenga nuevamente ICE/WATER (Hielo/Agua) y MEASURED FILL (Llenado medido) a la vez durante 3 segundos.

Modo de sala de exposición

Este modo se usa solamente cuando el refrigerador está de muestra en una tienda minorista. Si usted activa accidentalmente el modo de sala de exposición, se encenderá "Showroom" (Sala de exposición) en la pantalla. Salga del modo de sala de exposición presionando y sosteniendo LIGHT (Luz) y LOCK (Bloqueo) a la vez por 3 segundos.

Características del refrigerador

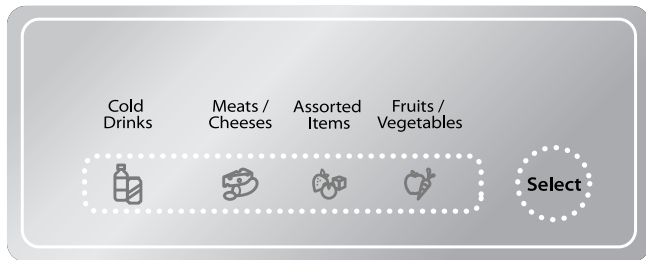
Cajón con control de temperatura exterior

IMPORTANTE: Este control fija la temperatura solamente para este cajón.

Use el cajón de ancho completo para guardar bandejas grandes de fiesta o bandejas con carnes frías, o use un organizador de cajón para guardar alimentos más pequeños tales como yogurt, cajas de jugo y almuerzos con un fácil acceso.

Se prefijaron las temperaturas para el almacenamiento de: bebidas frías, carnes/quesos, frutas/verduras y artículos variados. Estas temperaturas prefijadas no pueden regularse.

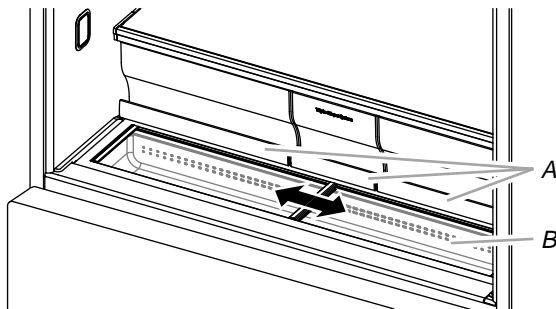
Presione SELECT (SELECCIONAR) para alternar entre los ajustes de temperatura. El ícono se ilumina cuando se selecciona.



Recipiente ultradeslizable

Un compartimiento de almacenamiento poco profundo con tapas de vidrio, que se deslizan de lado a lado, se encuentra por debajo y en frente de los cajones para verduras.

NOTA: Este compartimiento no cuenta con control de temperatura ni humedad, por lo que no se recomienda para el almacenamiento de verduras de hoja.



A. Crisper drawer handles
B. Recipiente ultradeslizable

Para sacar el recipiente ultradeslizable:

5. Quite los tres cajones para verduras.
6. Agarre la tapa deslizante superior que se encuentra cerca del adorno y levántela para quitarla. Quite la tapa inferior.
7. Agarre la parte delantera del recipiente con ambas manos y levante la parte frontal para sacarlo.

Para volver a colocar el recipiente ultradeslizable:

1. Inclíne ligeramente hacia arriba la parte posterior del recipiente.
2. Alinee el borde central y las lengüetas del recipiente ultradeslizable con el borde y las ranuras del gabinete.
3. Baje el recipiente para colocarlo en su lugar.

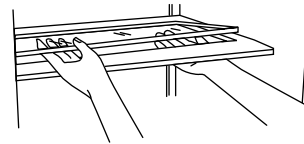
Cajones para verduras

Para quitar y volver a colocar los cajones para verduras:

1. Deslice los cajones hasta el tope. Levante los cajones de los rieles y júelos hacia fuera hasta que salgan.
2. Vuelva a colocar los cajones sobre las guías y empujándolos nuevamente hacia su posición, pasando el tope

Para quitar la tapa de los cajones para verduras:

1. Saque los para verduras.
2. Sostenga la pieza de vidrio firmemente con una mano y presione hacia arriba en el centro de la pieza de vidrio hasta que se levante por encima del marco de plástico. Deslice suavemente la pieza de vidrio hacia adelante para sacarla.
3. Levante el marco de la tapa y sáquela.



Para volver a colocar la tapa del(de los) cajón(cajones) para verduras:

1. Calce la parte trasera del marco de la tapa en los soportes que están en las paredes laterales del refrigerador y baje la parte delantera del marco de la tapa hasta su lugar.
2. Deslice la parte posterior de la pieza de vidrio en el marco de la tapa y baje el frente a su lugar.
3. Vuelva a colocar los cajones para verduras.

Despachadores de agua y hielo

IMPORTANTE:

- Deje que pasen 3 horas para que el refrigerador se enfríe y pueda enfriar el agua.
- Deje transcurrir 24 horas para la producción del primer lote de hielo. Deshágase de los tres primeros lotes de hielo producidos.
- El sistema de distribución no funcionará cuando la puerta del refrigerador o el cajón del congelador esté abierta/o.

Enjuague el sistema de agua

El aire en el sistema de despachado de agua puede hacer que gotee agua del despachador. Después de haber conectado el refrigerador a un suministro de agua o de haber reemplazado el filtro de agua, enjuague el sistema de agua.

Al enjuagar el sistema de despachado de agua, sacará el aire de la línea de agua y del filtro, y preparará el filtro de agua para ser usado. En algunas casas se podrá requerir enjuague adicional.

NOTA: A medida que sale aire del sistema, es posible que salgan chorros de agua repentinos del despachador.

1. Con un recipiente resistente, presione y sostenga la paleta del despachador de agua durante 5 segundos.
2. Suelte la paleta del despachador durante 5 segundos. Repita los pasos 1 y 2 hasta que comience a salir el agua.
3. Una vez que el agua haya comenzado a correr, continúe presionando y soltando la palanca del despachador (5 segundos activado, 5 segundos desactivado) hasta despachar un total de 3 gal (12 L).

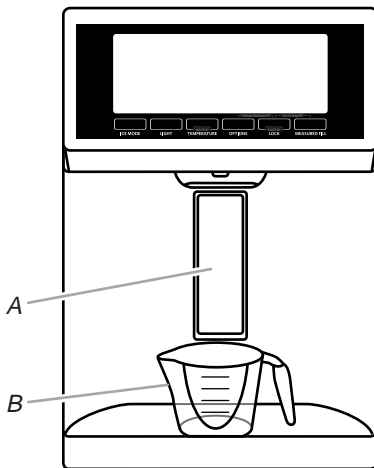
Cómo calibrar el llenado medido

La presión del agua puede afectar la precisión de la característica Measured Fill (Llenado medido). Por lo tanto, para el desempeño óptimo de su despachador de agua, deberá primero calibrar Measured Fill (Llenado medido).

IMPORTANTE:

- Enjuague el sistema de agua antes de calibrar Measured Fill (Llenado medido).
 - Para obtener los mejores resultados, debe calibrarlo cuando no se esté usando el agua en la casa.
1. Coloque una taza medidora resistente (tamaño de una taza) sobre la bandeja del depósito, centrada frente a la paleta del despachador de hielo/agua.

NOTA: Dependiendo del modelo, es posible que se provea una taza medidora.

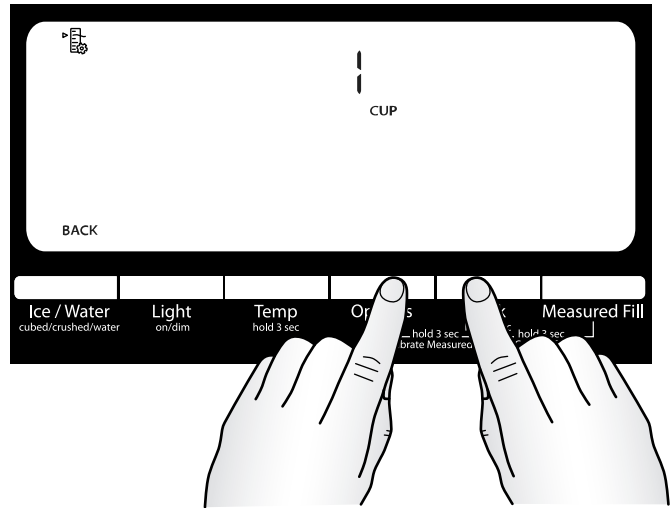


A. Paleta del despachador de hielo/agua
B. Taza medidora (1 taza)

2. Presione y sostenga los botones de OPTIONS (Opciones) y LOCK (Bloqueo) a la misma vez durante 3 segundos. Aparecerán en la pantalla las palabras "Back" (Volver) y "1 Cup" (1 taza). También se iluminará el ícono de calibrado del llenado medido y permanecerá encendido mientras se esté calibrando la característica de Measured Fill (Llenado medido).

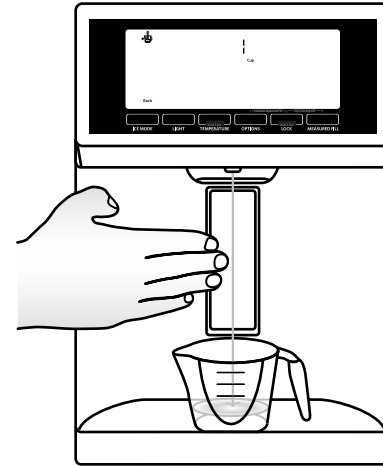


NOTA: Para salir del calibrado en cualquier momento, puede presionar el botón de ICE/WATER (Hielo/Agua) "Back" (Volver). Se apagará el ícono de calibrado del llenado medido.

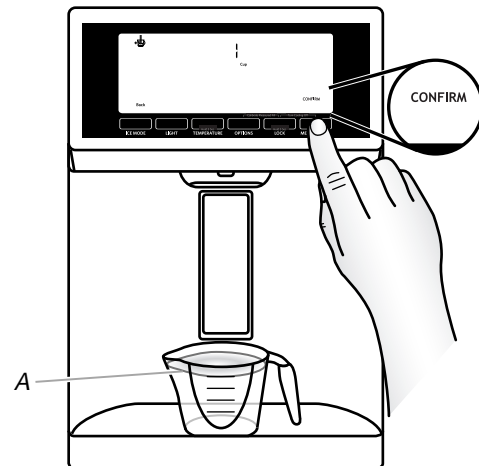


3. Presione y suelte la paleta del despachador de hielo/agua, según sea necesario, para despachar agua hasta la línea de llenado de 1 taza.

NOTA: Si se llena en exceso u ocurre un derrame, deseche el agua y presione ICE/WATER (Hielo/Agua) "Back" (Volver) para volver a comenzar el proceso de calibrado.



4. Cuando se haya despachado correctamente 1 taza de agua en la taza medidora, presione el botón de MEASURED FILL (Llenado medido) bajo la palabra "Confirm" (Confirmar) para confirmar el calibrado.



A. 1 taza de agua

5. Cuando se haya confirmado el calibrado del llenado medido, los íconos desaparecerán y volverá a aparecer nuevamente la pantalla principal.

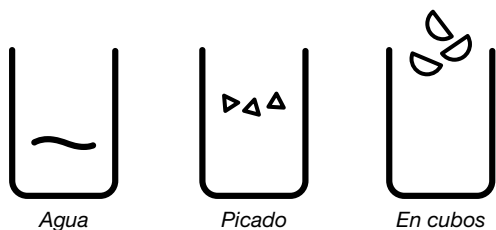
Distribución

Presione ICE/WATER (Hielo/Agua) para ver las siguientes elecciones en forma continua:

- Water (Agua - Ajuste por defecto) - Distribuye agua.
- Cubed (Hielo en cubos) - Distribuye hielo en cubos.
- Crushed (Hielo picado) - Distribuye hielo picado.

NOTAS:

- La palabra "ICE" (Hielo) aparecerá en la pantalla cuando se seleccione hielo picado o en cubos.
- Para obtener hielo picado, los cubos de hielo se trituran antes de despacharse. Esto puede retrasar un poco la distribución del hielo picado. El ruido proveniente del triturador de hielo es normal y los trozos de hielo pueden variar en tamaño.
- Cuando cambie de la posición de hielo picado a cubos, caen unas onzas de hielo picado junto con los primeros cubos.



El despachador de agua

IMPORTANTE:

- Despache por lo menos 1 qt (1 L) de agua cada semana para mantener un suministro fresco.
- Si disminuye el flujo de agua desde el despachador, puede ser debido a una presión de agua baja.
 - Quite el filtro de agua y despache 1 taza (237 mL) de agua. Si 1 taza (237 mL) de agua se despacha en 8 segundos o menos, la presión de agua al refrigerador satisface el requisito mínimo.
 - Si demora más de 8 segundos en despachar 1 taza (237 mL) de agua, esto significa que la presión de agua al refrigerador es más baja de la recomendada. Vea "Requisitos del suministro de agua" y "Solución de problemas" para posibles soluciones.

Para despachar agua (estándar):

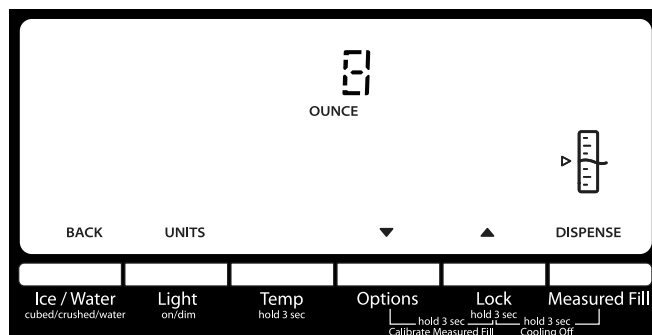
1. Seleccione Water (Agua).
2. Oprima un vaso resistente contra la paleta del despachador.
NOTA: Mientras se distribuye agua y durante 3 segundos después de haber finalizado, la pantalla digital le mostrará cuánta agua ha salido.
3. Retire el vaso para detener la salida de agua.

Para despachar agua (Llenado medido):

La característica Measured Fill (Llenado medido) le permite sacar una cantidad de agua determinada presionando unos pocos botones.

NOTA: Se distribuirá la cantidad de agua que usted ha seleccionado. Asegúrese de que el envase esté vacío y que pueda contener todo el volumen a distribuir. Si hay hielo en el envase, quizás deba ajustar su selección.

1. Presione el botón MEASURED FILL (Llenado medido) para encender esta característica. Cuando esté encendida la característica de Llenado medido, aparecerá la pantalla de Llenado medido.



NOTAS:

- El despachador apagará automáticamente la opción de Measured Fill (Llenado medido) después de 1 minuto de inactividad. Cuando se apaga la opción de Llenado medido, todo cambio que usted haya realizado se perderá y se restablecerán todos los ajustes prefijados.
 - Presione el botón ICE/WATER (Hielo/Agua), debajo de Back (Atrás), para apagar manualmente la característica de Measured Fill (Llenado medido).
2. Presione el botón LIGHT (Luz), debajo de Units (Unidades), para alternar entre ounce (onzas), cup (tazas) y liter (litros). La unidad prefijada es ounce (onzas).

A continuación se enlistan los volúmenes prefijados, mínimos y máximos.

Unidades	Prefijado	Mínimo	Máximo
Onzas	8	1	128
Tazas	1	1/4	16
Litros	0,25	0,05	4,00

3. Presione los botones de LOCK (Bloqueo) y OPTIONS (Opciones) para ajustar el volumen de llenado según se desee. Con el botón de LOCK (Bloqueo) se incrementa el volumen y con el botón de OPTIONS (Opciones) se disminuye.

NOTAS:

- Cuando se aumenten o disminuyan los volúmenes a distribuir, si se sostiene un botón de ajuste (-/+) durante aproximadamente 10 segundos o durante más tiempo, es posible que el control deje de funcionar. Suelte el botón por aproximadamente 2 segundos y luego continúe haciendo el ajuste.
 - La mayoría de las tazas de café (por lo común de 4 a 6 oz [118 a 177 mL] por taza) no tienen el mismo tamaño que una taza medidora (8 oz [237 mL]). Es posible que necesite ajustar el volumen para evitar sobrellenar las tazas de café accidentalmente.
4. Despache agua.
NOTA: Mientras saca agua, la pantalla digital controlará cuánta agua queda para distribuir, de acuerdo con el volumen seleccionado. El agua dejará de correr automáticamente una vez que el volumen deseado ha salido.

- Oprima un vaso resistente contra la paleta del despachador.

O BIEN

- Coloque el vaso debajo del despachador de agua y presione MEASURED FILL (Llenado medido), debajo de Dispense (Despachar), para despachar agua sin usar las manos.
5. Para dejar de despachar agua antes de que se haya distribuido el volumen seleccionado, quite el vaso de la paleta del despachador O presione MEASURED FILL (Llenado medido) por segunda vez.

NOTA: Si detiene el despachado antes de que se haya distribuido el volumen seleccionado, la pantalla digital continuará mostrando cuánta agua queda por salir. La pantalla se apagará después de 1 minuto de inactividad.

- Para seleccionar un nuevo volumen o para comenzar a despachar nuevamente el mismo volumen, deberá terminar de despachar el volumen seleccionado o apagar la característica de Llenado medido (ya sea esperando 1 minuto para que se apague automáticamente o presionando ICE/WATER [Hielo/Agua], debajo de Back [Atrás], para apagarla manualmente) y encendiéndola nuevamente.

El despachador de hielo

IMPORTANTE:

- Si los cubos de hielo están huecos o tienen una forma irregular, podría deberse a una baja presión de agua. Vea “Requisitos del suministro de agua”.
- El hielo pasa desde el depósito de hielo a través del conducto del despachador y al despachador. Para apagar la fábrica de hielo, vea “Fábrica de hielo y depósito”.

Para limpiar el conducto de distribución de hielo:

La humedad hace que el hielo se aglutine naturalmente. Las partículas de hielo pueden acumularse hasta que el conducto de distribución de hielo se bloquee.

Si no se despacha hielo con regularidad, tal vez sea necesario vaciar el depósito de hielo y limpiar el conducto de distribución del mismo, el depósito y el área debajo del depósito de hielo cada 2 semanas.

- Quite el hielo que esté atascado en el depósito y en el conducto para hielo con un utensilio de plástico si es necesario.
- Limpie el conducto de salida de hielo y la base del depósito de hielo con un paño humedecido con agua tibia; luego seque meticulosamente.

Para despachar hielo:

1. Seleccione el tipo de hielo que desee. Para cambiar de hielo en cubos a hielo picado, presione ICE/WATER (Hielo/Agua).

⚠ ADVERTENCIA



Peligro de Cortaduras

Use un vaso resistente para recibir hielo del despachador.

No seguir esta instrucción puede ocasionar cortaduras.

2. Oprima un vaso resistente contra la paleta del despachador. Sostenga el vaso junto a la abertura del despachador para que el hielo no caiga fuera del vaso.

IMPORTANTE: No necesita aplicar mucha presión a la paleta para activar el despachador de hielo. Oprimir fuerte no hará que el despachador funcione con más rapidez o produzca mayor cantidad de hielo.

3. Retire el vaso para detener la salida de hielo.

NOTA: El hielo puede continuar saliendo durante varios segundos después de haber retirado el vaso de la paleta. El despachador puede continuar haciendo ruido por algunos segundos después de haber despachado.

La luz del despachador

Cuando usted utilice el despachador, la luz se encenderá automáticamente.

Para encender la luz cuando no esté usando el despachador:

Presione LIGHT (Luz) para ver las siguientes elecciones en forma continua:

- OFF (Apagado - prefijado) - La luz del despachador está apagada
- ON (Encendido) - La luz del despachador permanecerá encendida con un brillo de 100%
- DIM (Tenue) - La luz del despachador permanecerá encendida con un brillo de 50%

Las luces del despachador son LEDs y no se pueden cambiar. Si parece que las luces del despachador no están funcionando, vea “Solución de problemas” para obtener más información.



ENCENDIDO

TENUE

El bloqueo del despachador

El despachador puede apagarse para facilitar la limpieza o para evitar que sea activado accidentalmente por niños pequeños o animales domésticos.

NOTA: La función de cierre no interrumpe el flujo eléctrico al refrigerador, a la fábrica de hielo o a la luz del despachador. Únicamente desactiva los controles y las paletas del despachador. Para apagar la fábrica de hielo, vea “Fábrica de hielo y depósito”.

- Presione y sostenga LOCK (Bloqueo) durante 3 segundos para bloquear el despachador.
- Presione y sostenga LOCK por segunda vez para desbloquear el despachador.

La pantalla indica cuándo el despachador está bloqueado.



LOCKED
(Bloqueado)



UNLOCKED
(Desbloqueado)

Fábrica de hielo y depósito de hielo (en algunos modelos)

IMPORTANTE: Para evitar una baja producción de hielo y hielo de calidad insatisfactoria, enjuague el sistema de agua antes de encender la fábrica de hielo. Vea “Despachador de agua”.

- Deje transcurrir 24 horas para la producción del primer lote de hielo. Deshágase de los tres primeros lotes de hielo producidos. Deje transcurrir 2 a 3 días para que se llene por completo el depósito después de la instalación.
- La calidad del hielo dependerá de la calidad del agua que suministre a su fábrica de hielo. Evite la conexión de la fábrica de hielo a un suministro de agua blanda. Las sustancias químicas utilizadas para ablandar el agua (como la sal) pueden dañar ciertos componentes de la fábrica de hielo y producir un hielo de muy baja calidad. Si no se puede evitar el uso de un suministro de agua blanda, asegúrese de que el ablandador de agua esté funcionando correctamente y que goce de un buen mantenimiento.
- Si el hielo se aglutina en el depósito, rómpalo con un utensilio de plástico y deséchelo. No use nada filoso para romperlo. Esto puede dañar el depósito y el mecanismo de despachado.
- No guarde nada dentro del depósito de hielo.

Ritmo de producción de hielo

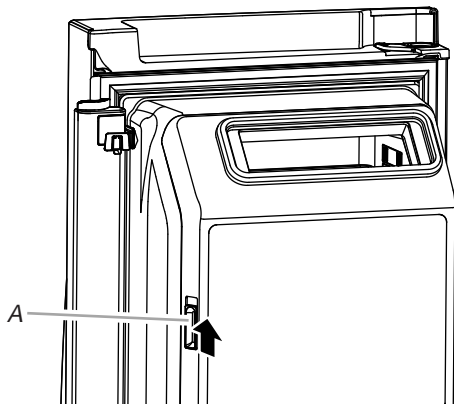
- La fábrica de hielo deberá producir aproximadamente 3 lb (1,4 kg) de hielo por día bajo el funcionamiento normal.
- Para aumentar la producción de hielo, seleccione la característica de aumento de hielo en el menú de Options (Opciones) del panel de control. Vea “Uso de los controles”.

Fábrica de hielo

La fábrica de hielo está situada en el lado izquierdo del techo, en el compartimiento del refrigerador. Los cubos de hielo son expulsados dentro del depósito de hielo, situado en la puerta izquierda del refrigerador.

Para encender y apagar la fábrica de hielo

1. Empuje el seguro que está en el lado izquierdo del compartimiento de hielo para abrir la puerta.



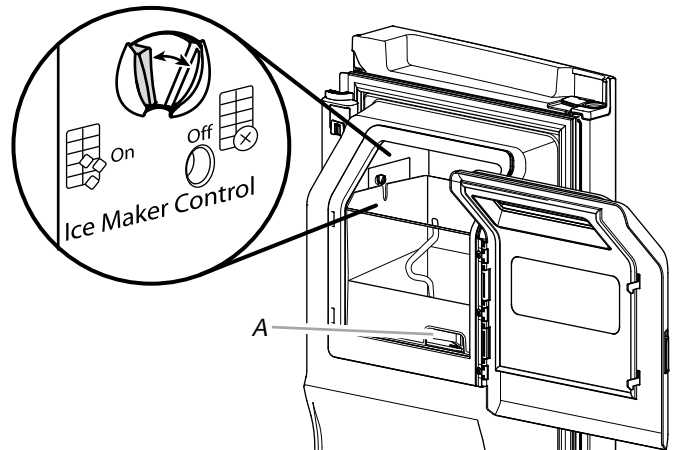
A. Seguro de la puerta del compartimiento de hielo

2. Encienda la fábrica de hielo moviendo el interruptor hacia la posición de ON (Encendido - hacia la izquierda).

NOTAS:

- Para apagar la fábrica de hielo manualmente, mueva el control a la posición de OFF (Apagado - hacia la derecha).

- La fábrica de hielo tiene un apagado automático. El sensor detendrá automáticamente la producción de hielo si el depósito de hielo está lleno, si se abre la puerta o si se quita el depósito de hielo. El control permanecerá en la posición ON (Encendido - hacia la izquierda).



A. Seguro de liberación del depósito de hielo

3. Cierre la puerta del compartimiento de hielo.

Para quitar y volver a colocar el depósito de hielo

- Saque el depósito de hielo colocando los dedos dentro del orificio que está en la base del depósito y apretando el seguro de liberación del depósito del compartimiento. Levante el depósito de hielo y jálalo directamente hacia afuera.
- Vuelva a colocar el depósito dentro del compartimiento de hielo y empujelo hacia abajo para asegurarse de que esté seguro en su lugar.

CUIDADO DE SU REFRIGERADOR

Limpieza

⚠ ADVERTENCIA



Peligro de Explosión

Use un limpiador no inflamable.

No seguir esta instrucción puede ocasionar la muerte, explosión o incendio.

Tanto la sección del refrigerador como la del congelador se descongelan automáticamente. No obstante, limpie ambas secciones más o menos una vez al mes para evitar la acumulación de olores. Limpie los derrames de inmediato.

Limpieza del exterior

Vea la información relativa a la limpieza del exterior que sea específica para su modelo.

Estilo 1 - Puerta lisa

IMPORTANTE: No están cubiertos bajo la garantía los daños al acabado liso debidos al uso inadecuado de los productos de limpieza o de productos de limpieza no recomendados. Los utensilios filosos o de punta roma estropearán el acabado.

USE	NO USE
✓ Paño suave y limpio	✗ Paños ásperos
	✗ Toallas de papel o papel de diario
	✗ Esponja de fibra metálica
✓ Agua tibia jabonosa - use un detergente suave	✗ Polvos o líquidos abrasivos
	✗ Rociadores para ventana
	✗ Amoniaco
	✗ Limpiadores a base de ácido o vinagre
	✗ Limpiadores para horno
	✗ Líquidos inflamables

NOTA: Las toallas de papel pueden opacar el acabado transparente de la puerta pintada. Para evitar posibles daños, use solamente paños suaves y limpios para pulir y limpiar la puerta.

Estilo 2 - Acero inoxidable

IMPORTANTE:

- No están cubiertos bajo la garantía los daños al acabado de acero inoxidable debidos al uso inadecuado de los productos de limpieza o de productos de limpieza no recomendados.

USE	NO USE
✓ Paño suave y limpio	✗ Paños ásperos
	✗ Toallas de papel o papel de diario
	✗ Esponja de fibra metálica
✓ Agua tibia y jabonosa	✗ Polvos o líquidos abrasivos
	✗ Amoniaco
	✗ Productos de limpieza a base de cítricos
	✗ Limpiadores a base de ácido o vinagre
	✗ Limpiadores para horno
✓ Para la suciedad rebelde, use SOLAMENTE un limpiador para acero inoxidable diseñado para aparatos. Para pedir el limpiador, vea "Accesorios".	✗ ¡El limpiador para acero inoxidable es solamente para partes de acero inoxidable! No permita que el limpiador de acero inoxidable entre en contacto con ninguna parte de plástico tales como las piezas decorativas, las tapas del despachador o las juntas de la puerta.

NOTAS:

- Si se produce contacto no intencional, limpie la pieza de plástico con una esponja y detergente suave en agua tibia. Seque meticulosamente con un paño suave.
- Solamente porque un producto de limpieza sea líquido no significa que no sea abrasivo. Varios limpiadores líquidos formulados para ser suaves sobre las baldosas y superficies lisas aun dañan el acero inoxidable.
- El ácido cítrico decolora para siempre el acero inoxidable. Para evitar dañar el acabado de su refrigerador de acero inoxidable:

No permita que estas sustancias permanezcan en el acabado

- | | |
|-----------------------|--------------------------------|
| ✗ Mostaza | ✗ Salsas a base de cítricos |
| ✗ Jugo de tomate | ✗ Productos a base de cítricos |
| ✗ Salsa para marinara | |

Limpeza del interior

1. Desenchufe el refrigerador o desconecte el suministro de energía.
2. Lave a mano, enjuague y seque todas las partes desmontables y las superficies interiores meticulosamente. Use una esponja limpia o un paño liso y un detergente suave en agua tibia.

NOTA: No use productos de limpieza abrasivos o ásperos, como aerosoles para ventanas, productos de limpieza para pulir, líquidos inflamables, ceras para limpieza, detergentes concentrados, blanqueadores o productos de limpieza que contengan productos de petróleo en las partes de plástico, revestimientos interiores y de la puerta o juntas.

3. Enchufe el refrigerador o reconecte el suministro de energía.

Limpeza del condensador

Una limpieza rutinaria del condensador no es necesaria en ambientes normales de operación en el hogar. Si el ambiente es particularmente grasoso o polvoriento, o si hay bastante tránsito de mascotas en el hogar, el condensador deberá limpiarse cada 2 ó 3 meses para asegurar la máxima eficacia.

Si necesita limpiar el condensador:

1. Desenchufe el refrigerador o desconecte el suministro de energía.
2. Quite la rejilla de la base.
3. Use una aspiradora con un cepillo suave para limpiar la rejilla, las áreas abiertas detrás de la rejilla y la superficie frontal del condensador.
4. Vuelva a colocar la rejilla de la base cuando termine.
5. Enchufe el refrigerador o reconecte el suministro de energía.

Luces

Las luces de los compartimientos del refrigerador y del congelador son del tipo LED y no necesitan ser reemplazadas. Si las luces no se encienden cuando se abre la puerta o el cajón, llame para solicitar ayuda o servicio técnico. En EE.UU., llame al **1-800-253-1301**. En Canadá, llame al **1-800-807-6777**.

Cuidado durante las vacaciones y mudanzas

Vacaciones

Si Ud. decide dejar el refrigerador funcionando mientras está ausente:

1. Use todos los artículos perecederos y congele el resto.
2. Si su refrigerador tiene una fábrica de hielo automática y está conectada al suministro de agua de la casa, cierre el suministro de agua al refrigerador. Si no se cierra el suministro de agua, pueden ocurrir daños a la propiedad.
3. Si usted tiene una fábrica de hielo automática, apáguela.
NOTA: Según el modelo, levante el brazo de control de alambre a la posición de OFF (Apagado - hacia arriba), o presione el interruptor hacia OFF (Apagado).
4. Vacíe el depósito de hielo.

Si Ud. decide apagar el refrigerador antes de irse:

1. Saque toda la comida del refrigerador.
2. Si su refrigerador tiene fábrica de hielo automática:
 - Cierre el suministro de agua a la fábrica de hielo por lo menos un día antes.
 - Cuando el último lote de hielo caiga, levante el brazo de control de alambre a la posición OFF (Apagado—hacia arriba) o mueva el interruptor a la posición OFF (Apagado), dependiendo del modelo.
3. Apague el (los) control(es) de temperatura. Vea “Uso de los controles.”
4. Limpie el refrigerador, pásele un paño y séquelo bien.
5. Fije bloques de goma o de madera con cinta adhesiva a la parte superior de ambas puertas para que queden abiertas y el aire circule. Esto evita que se formen olores y que crezcan hongos.

Mudanza

Si Ud. muda su refrigerador a una casa nueva, siga los pasos a continuación para prepararse para la mudanza.


1. Si su refrigerador tiene fábrica de hielo automática:
 - Cierre el suministro de agua a la fábrica de hielo por lo menos un día antes.
 - Desconecte la tubería de agua que está atrás del refrigerador.
 - Cuando el último lote de hielo caiga, levante el brazo de control de alambre a la posición OFF (Apagado—hacia arriba) o mueva el interruptor a la posición OFF (Apagado), dependiendo del modelo.
2. Saque toda la comida del refrigerador y empaque todos los alimentos congelados en hielo seco.
3. Vacíe el depósito de hielo.
4. Apague el (los) control(es) de temperatura. Vea “Uso de los controles”.
5. Desenchufe el refrigerador.
6. Limpie, pásele un paño y seque bien.
7. Saque todas las partes desmontables, envuélvalas bien y asegúrelas con cinta adhesiva para que no se muevan ni se sacudan durante la mudanza.
8. Según el modelo, levante la parte delantera del refrigerador para que ruede con facilidad O BIEN, levante los tornillos niveladores para no rayar el piso. Vea “Para alinear las puertas”.
9. Sostenga las puertas cerradas y el cable pegado a la parte posterior del refrigerador con cinta adhesiva.

Cuando llegue a la casa nueva, ponga todo de nuevo en su lugar y lea la sección “Instrucciones de instalación” para obtener instrucciones de preparación. Además, si su refrigerador tiene fábrica de hielo automática, recuerde volver a conectar el suministro de agua al refrigerador.

SOLUCIÓN DE PROBLEMAS

Pruebe primero las soluciones sugeridas aquí o visite nuestro sitio de internet y consulte “Preguntas que se hacen con frecuencia”, para evitar posiblemente el costo de una visita de servicio técnico. En EE.UU., www.whirlpool.com En Canadá, www.whirlpool.ca

⚠ ADVERTENCIA



Peligro de Choque Eléctrico

Conecte a un contacto de pared de conexión a tierra de 3 terminales.

No quite la terminal de conexión a tierra.

No use un adaptador.

No use un cable eléctrico de extensión.

No seguir estas instrucciones puede ocasionar la muerte, incendio o choque eléctrico.

FUNCIONAMIENTO EN GENERAL

Causas posibles y/o soluciones recomendadas

El refrigerador no funciona

- **No está conectado a un suministro eléctrico** - Enchufe el cable eléctrico en un contacto de 3 terminales con conexión a tierra. No use un cable eléctrico de extensión.
- **No hay electricidad en el contacto eléctrico** - Enchufe una lámpara para ver si funciona el contacto.
- **Hay un fusible de la casa fundido o se disparó el cortacircuitos** - Reemplace el fusible o reconecte el cortacircuitos. Si el problema continúa, contacte a un electricista autorizado.
- **No está encendido el control o el enfriamiento** - Encienda el control del refrigerador o el enfriamiento. Vea “Uso de los controles”.
- **Nueva instalación** - Luego de la instalación, deje que transcurran 24 horas para que el refrigerador y el congelador se enfrien por completo.
NOTA: El ajustar el (los) control(es) de temperatura hacia la posición más fría no hará que el compartimiento (ya sea el refrigerador o el congelador) enfríe más rápido.
- **El control del refrigerador está en el modo de sala de exposición (en algunos modelos)** - Si el refrigerador está en el modo de sala de exposición, el enfriamiento estará apagado y se iluminará la palabra “Showroom” (Sala de exposición) en el panel de control. Vea “Uso de los controles” para obtener más información.

El motor parece funcionar excesivamente

- **Su nuevo refrigerador tiene un motor con ahorro de energía** - Es posible que el refrigerador funcione por más tiempo de lo que usted está acostumbrado, ya que el compresor y los ventiladores funcionan a velocidades más bajas que ahorran más energía. Esto es normal.
NOTA: Es posible que el refrigerador funcione por más tiempo si la habitación está caliente, si se ha agregado una gran cantidad de alimentos, si se abren las puertas con frecuencia o si se ha dejado una puerta abierta.

Las luces no funcionan

- **Su refrigerador está equipado con luces LED que no necesitan ser reemplazadas.** - Si hay suministro de corriente al refrigerador y las luces no se iluminan cuando se abre una puerta o un cajón, llame para solicitar servicio o asistencia. Consulte la portada o la garantía para obtener la información de contacto.
- **La luz del despachador está fijada en OFF** - En algunos modelos, si la luz del despachador, se encenderá solamente cuando se presione la paleta del despachador. Si usted desea que la luz del despachador esté encendida continuamente, vea “Despachadores de agua y hielo”.
- **Se han dejado las puertas abiertas por más de 10 minutos** - Cierre las puertas y los cajones para restablecerlos; ábralos para reanudar la función que está encendida.

FUNCIONAMIENTO EN GENERAL**Causas posibles y/o soluciones recomendadas**

No está encendido/No hay respuesta del control del cajón exterior

- **El refrigerador está en el modo Cooling Off (Enfriamiento apagado)** - Salga del modo Cooling Off (Enfriamiento apagado). Vea "Uso de los controles".
- **No se ha completado con éxito el proceso de inicialización de los controles del refrigerador** - Desenchufe el refrigerador y espere 5 segundos. Enchufe el refrigerador y espere 30 segundos antes de abrir las puertas o los cajones, o de tocar el panel de control.
- **Se ha quitado recientemente el frente del cajón** - Asegúrese de que los cables del control de temperatura se hayan reconectado adecuadamente. Vea "Cómo quitar y volver a colocar los frentes de los cajones".

El refrigerador parece ruidoso

El compresor de su nuevo refrigerador regula la temperatura con más eficacia, y usa menos energía que los modelos anteriores. Durante varias etapas del funcionamiento, es posible que escuche sonidos de funcionamiento normal que no le son familiares.

Los ruidos que se indican a continuación son normales:

- **Zumbido/Chasquido** - Se escucha cuando la válvula de agua se abre y se cierra para despachar agua o llenar la fábrica de hielo. Si el refrigerador está conectado a una tubería de agua, esto es normal. Si el refrigerador no está conectado a una tubería de agua, apague la fábrica de hielo y luego cae en el depósito de hielo.
- **Chasquido repetitivo** - Válvula dual del evaporador que está regulando el funcionamiento del enfriamiento
- **Crujidos/Estrépitos** - Se escuchan cuando el hielo es expulsado del molde de la fábrica de hielo.
- **Estallido** - Se escucha cuando las paredes interiores se contraen y se expanden, especialmente durante el enfriamiento inicial.
- **Sonido sibilante/Goteos** - Flujo de refrigerante o flujo de aceite en el compresor
- **Pulsaciones/Runruneos** - Se escuchan cuando los ventiladores/el compresor se ajustan para mejorar el rendimiento durante el funcionamiento normal.
- **Vibraciones** - Se escuchan cuando el agua pasa a través de la línea de agua o debido al flujo de refrigerante. Las vibraciones también pueden ser ocasionadas por los artículos colocados sobre el refrigerador.
- **Agua corriendo o gorgoteo** - Se escucha cuando el hielo se derrite durante el ciclo de descongelación y el agua corre hacia la bandeja recolectora.
- **Chisporroteos** - Se escuchan cuando el agua gotea sobre el calentador durante el ciclo de descongelación.
- **Vibración** - Es posible que el refrigerador no esté estable. Ajuste los tornillos niveladores y baje la pata niveladora hasta que esté firme contra el piso. Vea "Nivelación del refrigerador, cierre y alineamiento de las puertas".

La temperatura está demasiado elevada

- **Nueva instalación** - Luego de la instalación, deje que transcurran 24 horas para que el refrigerador y el congelador se enfríen por completo.

NOTA: El ajustar el (los) control(es) de temperatura hacia la posición más fría no hará que el compartimiento (ya sea el refrigerador o el congelador) enfríe más rápido.

- **El enfriamiento está apagado** - Encienda el enfriamiento. Vea "Uso de los controles".
- **Se abren las puertas a menudo o no se cierran por completo** - Esto hace que entre aire tibio al refrigerador. Reduzca al mínimo las veces que abre la puerta, mantenga las puertas cerradas por completo y cerciórese de que ambas puertas estén bien cerradas.
- **Están bloqueados los orificios de ventilación** - Quite los artículos que están justo frente a los orificios de ventilación.
- **Se ha agregado recientemente una gran cantidad de alimentos calientes** - Deje que transcurran varias horas para que el refrigerador vuelva a la temperatura normal.
- **No se han ajustado los controles correctamente de acuerdo con las condiciones circundantes** - Regule los controles un ajuste más frío. Fíjese nuevamente en la temperatura en 24 horas.

La temperatura está demasiado baja en el refrigerador/cajón para verduras

- **No se han ajustado los controles correctamente de acuerdo con las condiciones circundantes** - Regule los controles un ajuste más elevado. Fíjese nuevamente en la temperatura en 24 horas.
- **El depósito de hielo no está en la posición correcta** - Vea "Fábrica de hielo y depósito de hielo".
- **Están bloqueados los orificios de ventilación** - Quite los artículos que están justo frente a los orificios de ventilación.

FUNCIONAMIENTO EN GENERAL

Causas posibles y/o soluciones recomendadas

La temperatura está demasiado elevada/baja en el cajón exterior

- **El control no se ha fijado correctamente para los artículos guardados en el cajón** - Regule el ajuste de la temperatura. Vea “Cajón exterior con temperatura controlada”.

Hay acumulación de humedad en el interior

NOTA: Cierta acumulación de humedad es normal. Seque con un paño suave.

- **Está húmeda la habitación** - Un ambiente húmedo contribuye a que se acumule la humedad. Use el refrigerador solamente en el interior del hogar, con el mínimo posible de humedad.
- **Se abren las puertas a menudo o no se cierran por completo** - Esto hace que entre aire húmedo al refrigerador. Reduzca al mínimo las veces que abre la puerta, mantenga las puertas cerradas por completo y cerciórese de que ambas puertas estén bien cerradas.

Acumulación de escarcha/hielo en el compartimiento del congelador

- **Se abre el cajón a menudo o se deja abierto** - Reduzca al mínimo las veces que abre el cajón y ciérrelo por completo después de usarlo.
- **Sellado deficiente del cajón** - Cerciórese de que los sellos hagan contacto por completo con la carcasa para permitir que se selle por completo.
- **Los controles de temperatura no están ajustados correctamente** - Vea “Uso de los controles” para los ajustes de temperatura recomendados.



PUERTAS Y NIVELACIÓN

Causas posibles y/o soluciones recomendadas

Es difícil abrir las puertas

- **Las juntas están sucias o pegajosas** - Limpie las juntas y las superficies de contacto con jabón suave y agua tibia. Enjuague y seque con un paño suave.

Las puertas no cierran completamente

- **La puerta queda abierta debido a un bloqueo** - Aleje los paquetes de alimentos de la puerta. Cerciórese de que todos los recipientes y estantes estén en su posición correcta. Asegúrese de que se hayan quitado todos los materiales de empaque.

Las puertas parecen estar desparejas

- **Las puertas necesitan ser alineadas o el refrigerador necesita ser nivelado** - Vea las instrucciones de nivelación y alineamiento de las puertas.

El refrigerador se tambalea y no está estable

- **El refrigerador no está nivelado** - Para estabilizar el refrigerador, quite la rejilla de la base y baje las patas niveladoras hasta que toquen el piso. Vea “Nivelación del refrigerador, cierre y alineamiento de las puertas”.

⚠ ADVERTENCIA

<p>Peligro de Cortaduras</p> <p>Use un vaso resistente para recibir hielo del despachador.</p> <p>No seguir esta instrucción puede ocasionar cortaduras.</p>

HIELO Y AGUA

Causas posibles y/o soluciones recomendadas

La fábrica de hielo no produce hielo, no produce suficiente hielo o produce un hielo pequeño o hueco

- **El refrigerador no está conectado a un suministro de agua o la válvula de cierre de suministro de agua no está abierta por completo** - Conecte el refrigerador a un suministro de agua y cerciórese de que la válvula de cierre de agua esté completamente abierta.
- **Hay un estrechamiento en la tubería de suministro de agua** - Un estrechamiento en la tubería de agua puede reducir el flujo de agua, ocasionando una disminución de la producción de hielo, cubos de hielo pequeños y/o huecos, o de forma irregular. Enderece la tubería de agua.
- **No se ha encendido la fábrica de hielo** - Encienda la fábrica de hielo. Vea “Fábrica de hielo y depósito”.
- **Nueva instalación** - Después de haber conectado el refrigerador a un suministro de agua, enjuague el sistema de agua. (Vea “Despachadores de agua y hielo”.) Deje transcurrir 24 horas para que la fábrica de hielo comience a producir hielo. Deje transcurrir 72 horas para la producción total de hielo. Deshágase de los tres primeros lotes de hielo producidos.
- **La puerta del refrigerador no está cerrada por completo** - Cierre firmemente la puerta. Si no cierra por completo, vea “Las puertas no se cierran por completo”.
- **Hay un filtro de agua instalado en el refrigerador** - Saque el filtro de agua y ponga a funcionar la fábrica de hielo. Si el volumen de agua aumenta, el filtro puede estar obstruido o haberse instalado incorrectamente. Reemplace el filtro o instálelo correctamente.
- **Se acaba de sacar una gran cantidad de hielo** - Deje transcurrir suficiente tiempo para que la fábrica de hielo produzca más hielo.
- **Se trabó el hielo en el brazo eyector de la fábrica de hielo** - Saque el hielo del brazo eyector con un utensilio de plástico.
- **Presión inadecuada de agua** - Verifique que la casa tenga una presión de agua adecuada. Vea “Requisitos del suministro de agua”.
- **Filtro de agua instalado de modo incorrecto** - Cerciórese de que el filtro esté instalado correctamente. Vea “Sistema de filtración de agua”.
- **Se ha conectado un sistema de filtración de agua de ósmosis inversa al suministro de agua fría** - Esto puede hacer que disminuya la presión de agua. Vea “Requisitos del suministro de agua”.

NOTA: Si aún tiene preguntas acerca de la presión de agua, llame a un plomero competente autorizado.

HIELO Y AGUA**Causas posibles y/o soluciones recomendadas**

El despachador de hielo no funciona debidamente

- **Nueva instalación** - Después de haber conectado el refrigerador a un suministro de agua, enjuague el sistema de agua. (Vea “Despachadores de agua y hielo”.) Deje transcurrir 24 horas para que la fábrica de hielo comience a producir hielo. Deje transcurrir 72 horas para la producción total de hielo. Deshágase de los tres primeros lotes de hielo producidos.
- **No está encendida la fábrica de hielo, o no se ha instalado correctamente el depósito de hielo** - Encienda la fábrica de hielo y cerciórese de que el depósito de hielo esté firme en su lugar. Vea “Fábrica de hielo y depósito”.
- **Se ha atascado o congelado junto el hielo en el depósito de hielo o el mismo está bloqueando el conducto de salida de hielo** - Saque o separe el hielo que está atascado utilizando un utensilio de plástico, si es necesario. Limpie el conducto de salida de hielo y la base del depósito de hielo con un paño humedecido con agua tibia; luego seque ambos meticulosamente. Para evitar que se atasquen y mantener un suministro fresco de hielo, vacíe el depósito y limpie el depósito y el conducto de salida cada 2 semanas.
- **El despachador está bloqueado** - Desbloquee el despachador. Vea “Despachadores de agua y hielo”.
- **El despachador de hielo se atasca mientras vierte el hielo picado** - Para los modelos con depósito de hielo en la puerta, cambie temporalmente de hielo triturado a hielo en cubos para despejar el depósito de hielo.
- **Se ha presionado la paleta/palanca del despachador por demasiado tiempo** - El hielo dejará de despacharse automáticamente. Espere unos minutos para que el despachador se restablezca y vuelva a usarlo. Saque grandes cantidades de hielo directamente del depósito de hielo, y no a través del despachador.
- **La presión de agua a la casa no está por encima de 35 lb/pulg² (241 kPa)** - La presión de agua a la casa afectará el flujo del despachador. Vea “Requisitos del suministro de agua”.
- **El filtro de agua está obstruido o instalado incorrectamente** - Reemplace el filtro o vuelva a instalarlo correctamente. Vea “Sistema de filtración de agua”.

El hielo o agua tiene mal sabor, mal olor o un color grisáceo

- **Son nuevas las conexiones de plomería** - Las conexiones nuevas de plomería pueden producir hielo o agua descolorido o de mal sabor. Este problema desaparecerá con el correr del tiempo.
- **Se ha guardado el hielo por demasiado tiempo** - Deseche el hielo y lave el depósito de hielo. Deje transcurrir 24 horas para que la fábrica de hielo produzca hielo nuevo.
- **Se ha transferido al hielo el olor de los alimentos** - Use recipientes herméticos contra humedad para almacenar alimentos.
- **Uso de una tubería de suministro de agua no recomendada** - Es posible que se transfiera olor y gusto de ciertos materiales usados en tuberías de suministro de agua no recomendadas. Use solamente una tubería recomendada de suministro de agua. Vea “Requisitos del suministro de agua”.
- **El agua contiene minerales (como el azufre)** - Podría ser necesario instalar un filtro de agua para eliminar los minerales.
- **Se ha instalado o reemplazado recientemente el filtro de agua** - Un descoloramiento o un color gris del hielo o agua indican que el sistema de filtración de agua necesita enjuagarse más. Vea “Despachadores de agua y hielo”.

HIELO Y AGUA**Causas posibles y/o soluciones recomendadas**

El despachador de agua no funciona debidamente

- **Las puertas no se cierran por completo** - Cerciórese de que ambas puertas estén firmemente cerradas. (En algunos modelos, deberá cerrarse solamente la puerta del congelador para poner en marcha el despachador.)
- **El refrigerador no está conectado a un suministro de agua o la válvula de cierre de suministro de agua no está abierta** - Conecte el refrigerador a un suministro de agua y cerciórese de que la válvula de cierre de agua esté completamente abierta.
- **Hay un estrechamiento en la tubería de suministro de agua** - Un estrechamiento en la tubería puede reducir el flujo de agua al despachador. Enderece la tubería de agua.
- **La presión de agua a la casa no está por encima de 35 lb/pulg² (241 kPa)** - La presión de agua a la casa afectará el flujo del despachador. Vea "Requisitos del suministro de agua".
- **Nueva instalación** - Después de haber conectado el refrigerador a un suministro de agua, enjuague el sistema de agua. Vea "Despachadores de agua y hielo".
- **La característica de llenado medido del despachador de agua no despacha una cantidad correcta de agua** - Calibre el despachador de agua. Vea "Despachadores de agua y hielo".
- **El despachador está bloqueado** - Desbloquee el despachador. Vea "Despachadores de agua y hielo".
- **El filtro de agua está obstruido o instalado incorrectamente** - Reemplace el filtro o vuelva a instalarlo correctamente. Vea "Sistema de filtración de agua".
- **Se ha conectado un sistema de filtración de agua de ósmosis inversa al suministro de agua fría** - Esto puede hacer que disminuya la presión de agua. Vea "Requisitos del suministro de agua".

NOTA: Si aún tiene preguntas acerca de la presión de agua, llame a un plomero competente autorizado.

Hay fugas de agua o goteos en el despachador

NOTA: Es normal que haya algunas gotas de agua después de despachar agua.

- **No se ha puesto el vaso debajo del despachador el tiempo suficiente** - Sostenga el vaso debajo del despachador durante 2 a 3 segundos después de soltar la paleta/palanca del despachador.
- **Es nueva la instalación o se ha instalado o reemplazado recientemente el filtro de agua** - El aire en las líneas de agua hará que gotee agua del despachador. Enjuague el sistema de agua para quitar el aire que se encuentra en las líneas de agua. Vea "Despachadores de agua y hielo".
- **Se están derritiendo los restos de hielo en el conducto del depósito** - Cerciórese de que el conducto de hielo esté libre de escarcha o pedazos de hielo.

Hay fugas de agua de la parte trasera del refrigerador

- **Las conexiones de la línea de agua no están ajustadas por completo** - Cerciórese de que todas las conexiones estén firmemente ajustadas. Vea "Conexión del suministro de agua".

El agua del despachador no está lo suficientemente fría (en algunos modelos)

NOTA: El agua del despachador se enfría a 50°F (10°C).

- **Nueva instalación** - Deje transcurrir 24 horas después de la instalación para que el suministro de agua se enfríe completamente.
 - **Se ha despachado una gran cantidad de agua recientemente** - Deje transcurrir 24 horas para que el nuevo suministro de agua se enfríe por completo.
 - **No se ha usado el despachador de agua recientemente** - Puede ser que el primer vaso de agua no esté frío. Descarte el agua del primer vaso.
 - **El refrigerador no está conectado a una tubería de agua fría** - Asegúrese de que el refrigerador esté conectado a una tubería de agua fría. Vea "Requisitos del suministro de agua".
-

HOJA DE DATOS DEL RENDIMIENTO

Sistema de filtración de agua

Modelo P6WB2L/P6RFWB2 Capacidad de 200 galones (757 litros)
Modelo P6WB2NL/P6RFWB2 Capacidad de 200 galones (757 litros)



Sistema comprobado y certificado por NSF International, según la norma 42 NSF/ANSI para la reducción de cloro, sabor y olor, y clase de partículas I*; y según la norma 53 NSF/ANSI para la reducción de quistes vivos, asbestos, plomo, lindano, toxafeno, atrazina, y 2,4 - D.

Este sistema ha sido comprobado según las normas 42 y 53 NSF/ANSI para la reducción de las sustancias citadas a continuación. La concentración de las sustancias indicadas en agua entrando al sistema fue reducida a una concentración menor o igual al límite permitido para agua saliendo del sistema, tal como se especifica en las normas 42 y 53 NSF/ANSI.

Reducción de sustancias Efectos estéticos	Requisitos de reducción de NSF	Promedio influente	Concentración en el agua a tratar	Máximo efluente	% Mínimo reducción	% Promedio reducción
Cloro, sabor/olor Clase de partículas I*	50% reducción 85% reducción	2,0 mg/L 7.300.000 #/mL	2,0 mg/L ± 10% Por lo menos 10.000 partículas/mL	0,20 mg/L 75.000 #/mL**	97 99	97,2 99,4
Reducción de contaminantes	Requisitos de reducción de NSF	Promedio influente	Concentración en el agua a tratar	Máximo efluente	% Mínimo reducción	% Promedio reducción
Quistes vivos [†]	99,95%	160.000/L	50.000/L min.	54/L [†]	99,97	99,99
Asbestos	99%	87 MFL	10 ⁷ a 10 ⁸ fibras/L ^{††}	0,17 MFL	99	99
Plomo: @ pH 6,5	0,010 mg/L	0,160 mg/L	0,15 mg/L ± 10%	0,001 mg/L	99,4	99,4
Plomo: @ pH 8,5	0,010 mg/L	0,140 mg/L	0,15 mg/L ± 10%	0,005 mg/L	98,6	98,6
Lindano	0,0002 mg/L	0,0019 mg/L	0,002 mg/L ± 10%	0,00002 mg/L	98,9	99
Toxafeno	0,003 mg/L	0,014 mg/L	0,015 mg/L ± 10%	0,001 mg/L	93	93
Atrazina	0,003 mg/L	0,0094 mg/L	0,009 mg/L ± 10%	0,0005 mg/L	94,5	94,7
2,4 - D	0,07 mg/L	0,220 mg/L	0,210 mg/L ± 10%	0,028 mg/L	87,5	96,1

Parámetros de la prueba: pH = 7,5 ± 0,5 si no se indica lo contrario. Flujo = 0,43 gpm (1,6 Lpm). Presión = 60 lbs/pulg² (413,7 kPa). Temp. = 68°F a 71,6°F (20°C a 22°C). Capacidad nominal de servicio = 200 galones (757 litros).

- Es importante que los requerimientos de operación, mantenimiento y reemplazo del filtro se lleven a cabo para que el producto se desempeñe tal como se ofrece en la publicidad. Pueden ocurrir daños a la propiedad si no se siguen todas las instrucciones.
- Use el filtro de repuesto P6RFWB2, pieza N° W10413645A. El precio sugerido de venta al por menor durante el año 2013 es de \$39,99 en EE.UU./\$49,99 en Canadá. Los precios están sujetos a cambio sin previo aviso.

Estilo 1 – Cuando la frase Order Filter (Pedir filtro) se ilumine de color amarillo, pida un nuevo filtro. Cuando la frase Replace Filter (Reemplazar filtro) se ilumine de rojo, se le recomienda reemplazar el filtro.

Estilo 2 – Presione OPTIONS (Opciones) y seleccione Filter Status (Estado del filtro) para revisar el estado del filtro de agua. Cuando el estado del filtro muestre que queda 10%, pida un nuevo filtro. Cuando el estado del filtro muestre que queda 0%, se le recomienda reemplazar el filtro.

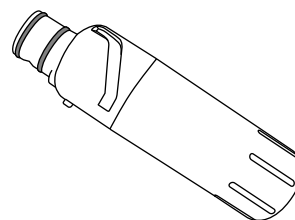
Estilo 3 – Presione FILTER STATUS (Estado del filtro) para controlar el estado del filtro de agua. Cuando el estado del filtro muestre que queda 10%, pida un nuevo filtro. Cuando el estado del filtro muestre que queda 0%, se le recomienda reemplazar el filtro.

- Después de cambiar el filtro de agua, enjuague el sistema de agua. Vea “Despachadores de agua y hielo” o “Despachador de agua”.
- Estos contaminantes no se encuentran necesariamente en su suministro de agua. Si bien se realizaron las pruebas bajo condiciones de laboratorio estándares, el desempeño real puede variar.

- El producto es para uso con agua fría únicamente.
- El sistema de agua deberá instalarse conforme a las leyes y normas estatales y locales.
- No use con agua que no sea microbiológicamente segura o que sea de calidad desconocida sin desinfectarla adecuadamente antes o después del sistema. Pueden usarse sistemas certificados para la reducción de quistes en aguas desinfectadas que puedan contener quistes filtrables.
- Refiérase a la sección “Garantía” para obtener el nombre, dirección y número telefónico del fabricante.
- Refiérase a la sección “Garantía” para verificar la garantía limitada del fabricante.

Pautas de aplicación / Parámetros para el suministro de agua

Suministro de agua	Municipal o de pozo
Presión del agua	30 - 120 lbs/pulg ² (207 - 827 kPa)
Temperatura del agua	33° - 100°F (0,6° - 37,8°C)
Flujo nominal de servicio	0,43 gpm (1,6 Lpm) @ 60 lbs/pulg ²



*Tamaño de las partículas clase I: >0,5 a <1 um

**El requisito de prueba es de cuando menos 100.000 partículas/ml de Polvo Fino de prueba AC.

[†]Basado en la filtración de quistes de *Cryptosporidium parvum*

^{††}Fibras mayores de 10 um de longitud

GARANTÍA DE LOS ELECTRODOMÉSTICOS PRINCIPALES DE WHIRLPOOL CORPORATION

GARANTÍA LIMITADA

Durante un año a partir de la fecha de compra, siempre y cuando se dé a este electrodoméstico principal un uso y mantenimiento de conformidad con las instrucciones adjuntas o provistas con el producto, Whirlpool Corporation o Whirlpool Canada LP (en lo sucesivo denominado "Whirlpool"), se hará cargo del costo de las piezas especificadas de fábrica y del trabajo de reparación para corregir defectos en los materiales o en la mano de obra, existentes en el momento de la compra de este electrodoméstico principal. El servicio deberá ser suministrado por una compañía de servicio designada por Whirlpool. SU ÚNICO Y EXCLUSIVO RECURSO SEGÚN LOS TÉRMINOS DE ESTA GARANTÍA LIMITADA SERÁ EL DE REPARAR EL PRODUCTO SEGÚN SE ESTIPULA EN LA PRESENTE. Esta garantía limitada es válida solamente en Estados Unidos o en Canadá, y se aplica solamente cuando el electrodoméstico principal se use en el país en el que se ha comprado. Se requiere una prueba de la fecha de compra original para obtener servicio bajo esta garantía limitada.

EXCLUSIONES DE LA GARANTÍA

Esta garantía limitada no cubre:

1. Piezas de repuesto o mano de obra si este electrodoméstico principal se usa de un modo diferente al doméstico normal de una familia, o cuando se use de un modo contrario a las instrucciones publicadas para el usuario u operador y/o las instrucciones de instalación.
2. Visitas de servicio técnico para corregir la instalación de su electrodoméstico principal, para enseñarle a usar su electrodoméstico principal, para cambiar o reparar fusibles domésticos o para corregir la instalación eléctrica o de la tubería de la casa.
3. Visitas de servicio técnico para reparar o reemplazar focos para electrodomésticos, filtros de aire o filtros de agua. Las piezas de consumo están excluidas de la cobertura de la garantía.
4. Daños causados por accidente, alteración, uso indebido, abuso, incendio, inundación, actos fortuitos, instalación incorrecta, instalación que no esté de acuerdo con los códigos eléctricos o de plomería, o el empleo de productos no aprobados por Whirlpool.
5. Daños estéticos, incluyendo rayaduras, abolladuras, desportilladuras u otro daño al acabado de su electrodoméstico principal, a menos que el mismo sea debido a defectos en los materiales o la mano de obra y se le informe a Whirlpool en un lapso de 30 días a partir de la fecha de compra.
6. Cualquier pérdida de comida o medicamentos debido a fallas del refrigerador o del congelador.
7. Recogida y entrega. Este electrodoméstico principal se ha destinado para ser reparado en el hogar.
8. Reparaciones de piezas o sistemas como resultado de modificaciones no autorizadas que se hayan efectuado en el electrodoméstico.
9. Gastos de viaje y transporte para obtener servicio para el producto, si su electrodoméstico principal está ubicado en un lugar remoto en el cual no haya disponible un técnico de servicio autorizado por Whirlpool.
10. La remoción y reinstalación de su electrodoméstico principal, si estuviera instalado en un lugar inaccesible o si no estuviera instalado de conformidad con las instrucciones de instalación publicadas por Whirlpool.
11. Piezas de repuesto o mano de obra en electrodomésticos principales con números de modelo/serie originales que se hayan removido, alterado o que no puedan ser identificados con facilidad.
12. Decoloración, herrumbre u oxidación de las superficies de acero inoxidable.

El costo de la reparación o el reemplazo bajo estas circunstancias excluidas, correrá por cuenta del cliente.

EXCLUSIÓN DE GARANTÍAS IMPLÍCITAS

LAS GARANTÍAS IMPLÍCITAS, INCLUYENDO CUALQUIER GARANTÍA IMPLÍCITA DE COMERCIABILIDAD O GARANTÍA IMPLÍCITA DE CAPACIDAD PARA UN PROPÓSITO PARTICULAR, SERÁN LIMITADAS A UN AÑO O AL PERÍODO MÁS CORTO PERMITIDO POR LEY. Algunos estados y provincias no permiten la limitación de la duración de garantías implícitas de comerciabilidad o aptitud, de modo que la limitación arriba indicada quizás no le corresponda. Esta garantía le otorga derechos legales específicos, y es posible que usted tenga también otros derechos que varían de un estado a otro o de una provincia a otra.

LIMITACIÓN DE RECURSOS; EXCLUSIÓN DE DAÑOS INCIDENTALES O CONSECUENTES

SU ÚNICO Y EXCLUSIVO RECURSO SEGÚN LOS TÉRMINOS DE ESTA GARANTÍA LIMITADA SERÁ EL DE REPARAR EL PRODUCTO SEGÚN SE ESTIPULA EN LA PRESENTE. WHIRLPOOL NO SE RESPONSABILIZARÁ POR DAÑOS INCIDENTALES O CONSECUENTES. Algunos estados y provincias no permiten la exclusión o limitación de daños incidentales o consecuentes, de modo que estas limitaciones y exclusión quizás no le correspondan. Esta garantía le otorga derechos legales específicos, y es posible que usted tenga también otros derechos que varían de un estado a otro o de una provincia a otra.

Si usted se encuentra fuera de los cincuenta Estados Unidos y Canadá, póngase en contacto con su distribuidor autorizado de Whirlpool para determinar si corresponde otra garantía.

7/12

Para obtener información adicional acerca de su producto, en EE.UU. visite **www.whirlpool.com**.
En Canadá, visite **www.whirlpool.ca**.

Si usted no tiene acceso a internet y necesita ayuda para usar su producto, o si quisiera hacer una cita para obtener servicio, puede ponerse en contacto con Whirlpool, en el número que se indica a continuación.

Tenga listo su número de modelo completo. Puede encontrar el número de modelo y de serie en la etiqueta ubicada en la pared interior del compartimiento del refrigerador.

Si necesita ayuda o servicio técnico, en EE.UU., llame al 1-800-253-1301. En Canadá, llame al 1-800-807-6777.

Si necesita asistencia adicional, puede escribir a Whirlpool con sus preguntas o dudas a la dirección que aparece a continuación:

En los EE.UU.:

Whirlpool Brand Home Appliances
Customer eXperience Center
553 Benson Road
Benton Harbor, MI 49022-2692

En Canadá:

Whirlpool Brand Home Appliances
Customer eXperience Centre
200 – 6750 Century Ave.
Mississauga, Ontario L5N 0B7

Por favor incluya en su correspondencia un número de teléfono en el que se le pueda localizar durante el día.

Sírvase guardar todas las instrucciones provistas y la información con el número de modelo, para referencia futura.



INSTRUCTIONS D'UTILISATION DU RÉFRIGÉRATEUR

Nous vous REMERCIONS d'avoir acheté ce produit de haute qualité. Si vous rencontrez un problème non mentionné dans la section DÉPANNAGE ou RÉOLUTION DE PROBLÈMES, veuillez visiter notre site Web www.whirlpool.com pour des informations supplémentaires. Si vous avez toujours besoin d'assistance, veuillez nous téléphoner au 1-800-253-1301. Au Canada, visitez notre site Web www.whirlpool.ca ou téléphonez-nous au 1-800-807-6777.

Vous aurez besoin de vos numéros de modèle et de série situés sur la paroi interne du compartiment de réfrigération.

SÉCURITÉ DU RÉFRIGÉRATEUR

Votre sécurité et celle des autres est très importante.

Nous donnons de nombreux messages de sécurité importants dans ce manuel et sur votre appareil ménager. Assurez-vous de toujours lire tous les messages de sécurité et de vous y conformer.



Voici le symbole d'alerte de sécurité.

Ce symbole d'alerte de sécurité vous signale les dangers potentiels de décès et de blessures graves à vous et à d'autres.

Tous les messages de sécurité suivront le symbole d'alerte de sécurité et le mot "DANGER" ou "AVERTISSEMENT". Ces mots signifient :

⚠ DANGER

Risque possible de décès ou de blessure grave si vous ne suivez pas immédiatement les instructions.

⚠ AVERTISSEMENT

Risque possible de décès ou de blessure grave si vous ne suivez pas les instructions.

Tous les messages de sécurité vous diront quel est le danger potentiel et vous disent comment réduire le risque de blessure et ce qui peut se produire en cas de non-respect des instructions.

IMPORTANTES INSTRUCTIONS DE SÉCURITÉ

AVERTISSEMENT : Pour réduire les risques d'incendie, de choc électrique ou des blessures lors de l'utilisation du réfrigérateur, prendre quelques précautions fondamentales, y compris les suivantes :

- Brancher l'appareil sur une prise à 3 alvéoles reliée à la terre.
- Ne pas enlever la broche de liaison à la terre.
- Ne pas utiliser un adaptateur.
- Ne pas utiliser un câble de rallonge.
- Débrancher la source de courant électrique avant l'entretien.
- Remplacer pièces et panneaux avant de faire la remise en marche.
- Enlever les portes de votre vieux réfrigérateur.
- Utiliser un produit de nettoyage ininflammable.
- Garder les matériaux et les vapeurs inflammables, telle que l'essence, loin du réfrigérateur.
- Utiliser deux ou plus de personnes pour déplacer et installer le réfrigérateur.
- Débrancher le réfrigérateur avant l'installation de la machine à glaçons (seulement pour modèles prêts à recevoir une machine à glaçons).
- Utiliser un verre robuste pour prendre des glaçons (sur certains modèles).
- Ne pas heurter les portes en verre du réfrigérateur (sur certains modèles).

CONSERVEZ CES INSTRUCTIONS

Avertissements de la proposition 65 de l'État de Californie :

AVERTISSEMENT : Ce produit contient au moins un produit chimique connu par l'État de Californie pour être à l'origine de cancers.

AVERTISSEMENT : Ce produit contient au moins un produit chimique connu par l'État de Californie pour être à l'origine de malformations et autres déficiences de naissance.

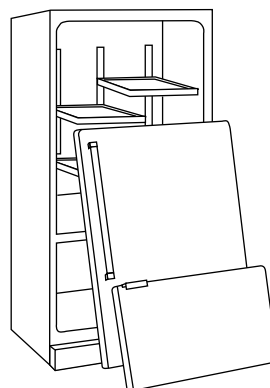
Mise au rebut adéquate de votre vieux réfrigérateur

⚠ AVERTISSEMENT

Risque de suffoquer

Enlever les portes de votre vieux réfrigérateur.

Le non-respect de cette instruction peut causer un décès ou des lésions cérébrales.



IMPORTANT : L'emprisonnement et l'étouffement des enfants ne sont pas un problème du passé. Les réfrigérateurs jetés ou abandonnés sont encore dangereux, même s'ils sont laissés abandonnés pendant "quelques jours seulement". Si vous vous débarrassez de votre vieux réfrigérateur, veuillez suivre les instructions suivantes pour aider à éviter les accidents.

Avant de jeter votre vieux réfrigérateur ou congélateur :

- Enlever les portes.
- Laisser les tablettes en place de sorte que les enfants ne puissent pas y pénétrer facilement.

Renseignements importants à propos de la mise au rebut des fluides réfrigérants :

Mettre le réfrigérateur au rebut conformément à la réglementation fédérale et locale. Les fluides réfrigérants doivent être évacués par un technicien certifié et agréé par l'EPA conformément aux procédures établies.

INSTRUCTIONS D'INSTALLATION

Déballage du réfrigérateur

⚠ AVERTISSEMENT

Risque du poids excessif

Utiliser deux ou plus de personnes pour déplacer et installer le réfrigérateur.

Le non-respect de cette instruction peut causer une blessure au dos ou d'autre blessure.

Déplacement de votre réfrigérateur :

Votre réfrigérateur est lourd. Lors du déplacement de votre réfrigérateur pour le nettoyage ou un entretien ou réparation, veiller à recouvrir le plancher avec du carton ou un panneau de fibres dures pour éviter qu'il ne subisse tout dommage. Toujours tirer le réfrigérateur tout droit lors de son déplacement. Ne pas incliner le réfrigérateur d'un côté ou de l'autre ni le "faire marcher" en essayant de le déplacer car le plancher pourrait être endommagé.

Dépose des matériaux d'emballage

- Enlever tout résidu de ruban adhésif et de colle des surfaces du réfrigérateur avant de le mettre en marche. Frotter une petite quantité de savon liquide pour la vaisselle sur l'adhésif avec les doigts. Rincer à l'eau tiède et essuyer.
- Ne pas utiliser d'instruments coupants, d'alcool à friction, de liquides inflammables ou de nettoyants abrasifs pour enlever le ruban adhésif ou la colle. Ces produits peuvent endommager la surface de votre réfrigérateur. Pour plus de renseignements, voir "Sécurité du réfrigérateur".
- Jeter ou recycler tous les matériaux d'emballage.

Nettoyage avant l'utilisation

Après avoir enlevé tous les matériaux d'emballage, nettoyer l'intérieur du réfrigérateur avant de l'utiliser. Voir les instructions de nettoyage dans "Entretien du réfrigérateur".

Importants renseignements à savoir au sujet des tablettes et des couvercles en verre :

Ne pas nettoyer les tablettes ou couvercles en verre avec de l'eau tiède quand ils sont froids. Les tablettes et les couvercles peuvent se briser s'ils sont exposés à des changements soudains de température ou à un impact tel que coup brusque. Le verre trempé est conçu pour éclater en d'innombrables pièces minuscules. Ceci est normal. Les tablettes et les couvercles en verre sont lourds. Les saisir à deux mains lors de leur dépose afin d'éviter de les faire tomber.

Retrait et réinstallation des portes du réfrigérateur

REMARQUE : Mesurer la largeur de l'ouverture de la porte pour déterminer s'il faut retirer les portes du réfrigérateur pour pouvoir introduire le réfrigérateur dans le domicile. Si les portes doivent être retirées, voir les instructions suivantes.

IMPORTANT : Si le réfrigérateur était déjà installé et que vous souhaitez le déplacer hors de votre domicile, effectuez d'abord les opérations suivantes : tourner la commande du réfrigérateur sur OFF (arrêt). Débrancher le réfrigérateur ou déconnecter la source de courant électrique. Retirer les aliments et tout balconnet de porte (utilitaire ou réglable) du réfrigérateur.

Rassembler les outils nécessaires et lire toutes les instructions avant de retirer les portes.

OUTILLAGE REQUIS : Clé à tête hexagonale de $\frac{3}{16}$ " et un tournevis Phillips n° 2



⚠ AVERTISSEMENT

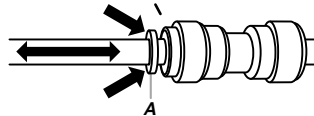
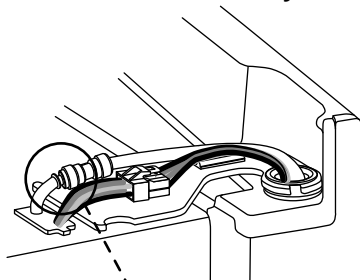
Risque de choc électrique

Déconnecter la source de courant électrique avant d'enlever les portes.

Le non-respect de cette instruction peut causer un décès ou un choc électrique.

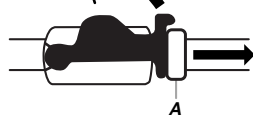
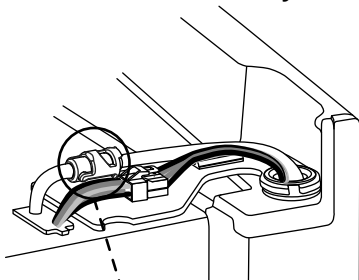
Dépose et réinstallation des portes

Style 1 – Distributeur d'eau Raccordement du tuyau



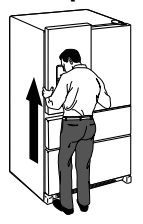
A. Bague externe

Style 2 – Distributeur d'eau Raccordement du tuyau

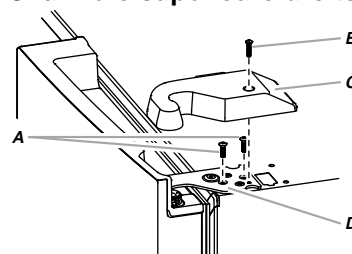


A. Bague externe

Dépose de la porte

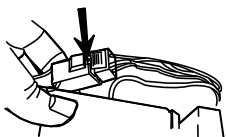


Charnière supérieure droite

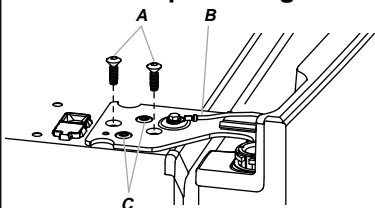


- A. Vis internes à tête hexagonale de $\frac{3}{16}$ "
- B. Vis du couvre-charnière
- C. Couvre-charnière supérieur
- D. Charnière supérieure

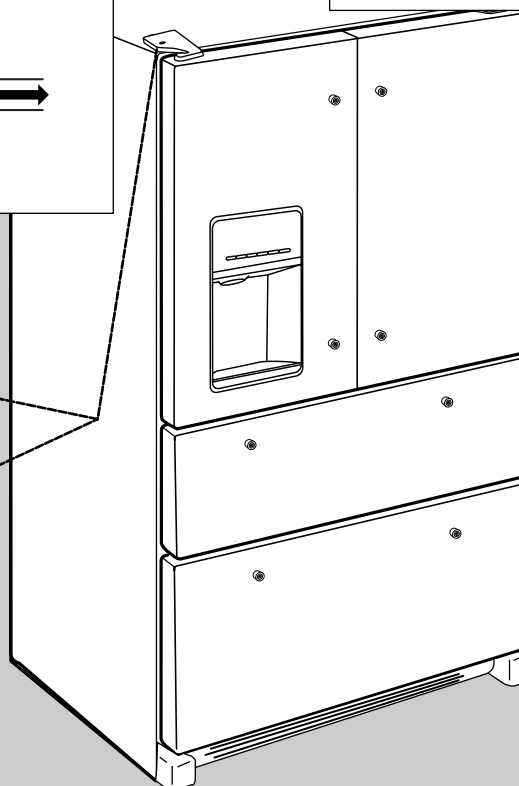
Fiche de câblage



Charnière supérieure gauche



- A. Vis internes à tête hexagonale de $\frac{3}{16}$ "
- B. Conducteur de liaison à la terre (ne pas retirer)
- C. Ne pas retirer les vis



Retrait de la porte de droite du réfrigérateur

⚠ AVERTISSEMENT



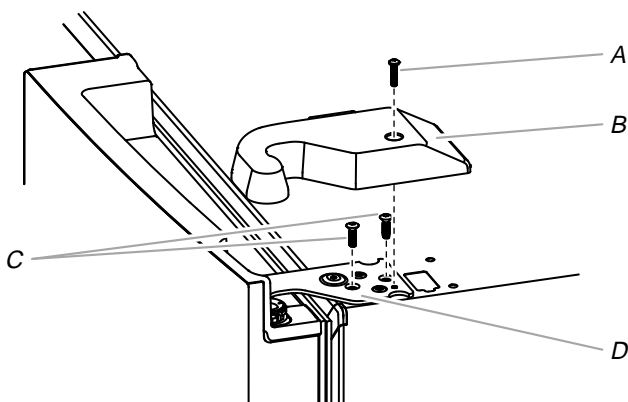
Risque de choc électrique

Déconnecter la source de courant électrique avant d'enlever les portes.

Le non-respect de cette instruction peut causer un décès ou un choc électrique.

1. Débrancher le réfrigérateur ou déconnecter la source de courant électrique.
2. Laisser les portes du réfrigérateur fermées jusqu'à ce que l'on soit prêt à les détacher de la caisse.
REMARQUE : Prévoir un support supplémentaire pour la porte du réfrigérateur pendant le retrait des charnières. La force d'attraction des aimants de la porte ne suffit pas à la maintenir en place pendant la manutention.
3. À l'aide d'un tournevis Phillips, retirer le couvre-charnière de la charnière supérieure.
4. Utiliser la clé à tête hexagonale de $\frac{3}{16}$ " pour enlever les deux vis internes à tête hexagonale de la charnière supérieure et les mettre de côté.

REMARQUE : Ne pas retirer les deux vis de positionnement. Ces vis vous aideront à aligner la charnière lors de la réinstallation de la porte.



A. Vis du couvre-charnière supérieur

B. Couvre-charnière supérieur

C. Vis internes à tête hexagonale de $\frac{3}{16}$ "

D. Charnière supérieure

⚠ AVERTISSEMENT

Risque du poids excessif

Utiliser deux ou plus de personnes pour soulever la porte du réfrigérateur.

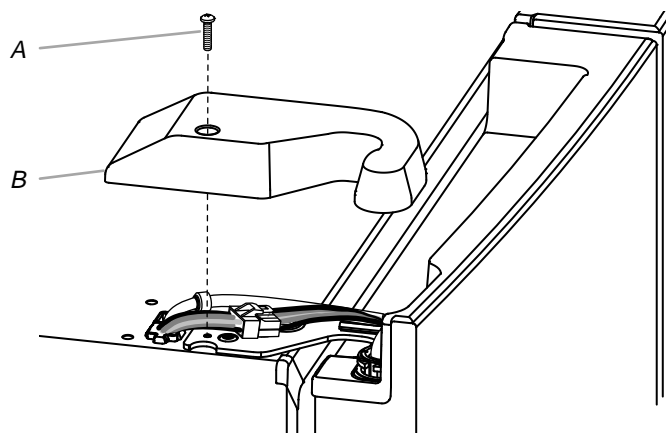
Le non-respect de cette instruction peut causer une blessure au dos ou d'autre blessure.

5. Soulever la porte du réfrigérateur de l'axe de la charnière inférieure. La charnière supérieure se dégage en même temps que la porte.

Retrait de la porte de gauche du réfrigérateur

IMPORTANT : Étant donné que le raccordement de l'eau et le câblage électrique du distributeur d'eau passent par la charnière externe de la porte de gauche, on doit les déconnecter avant de retirer la porte.

1. À l'aide d'un tournevis Phillips, retirer le couvre-charnière de la charnière supérieure.



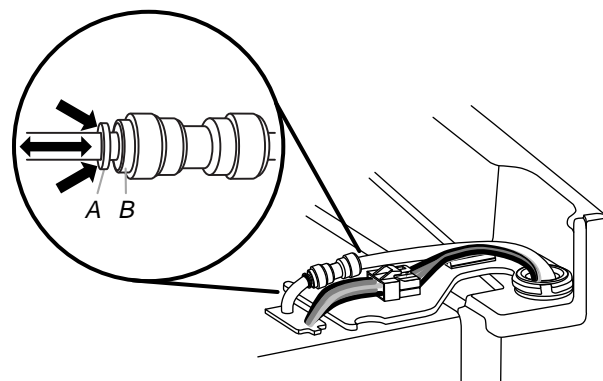
A. Vis du couvre-charnière supérieur

B. Couvre-charnière supérieur

2. Débrancher le tube du distributeur d'eau situé sur la charnière de la porte.

Style 1 - Presser l'anneau extérieur contre l'avant du raccord et tirer doucement sur le tuyau du distributeur pour le libérer.

REMARQUE : Le tuyau du distributeur d'eau reste fixé à la porte de gauche du réfrigérateur.

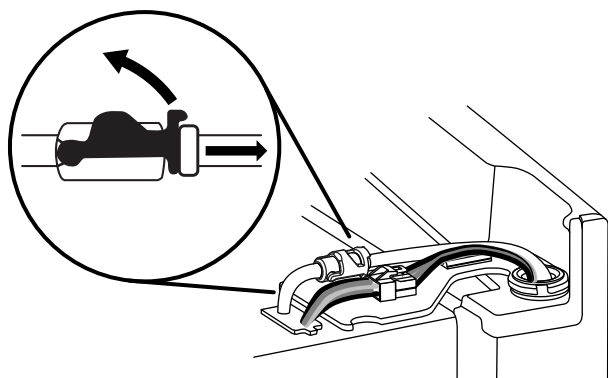


A. Bague externe

B. Avant du raccord

Style 2 - Tirer fermement l'attache vers le haut et retirer le tuyau du raccord.

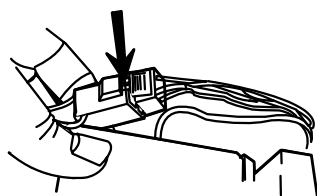
REMARQUE : Le tuyau du distributeur d'eau reste fixé à la porte de gauche du réfrigérateur.



3. Débrancher la fiche de câblage située sur la charnière de la porte.

- Saisir chaque côté de la fiche de câblage. Avec le pouce gauche, appuyer sur le loquet pour le dégager et écarter les deux sections de la fiche.

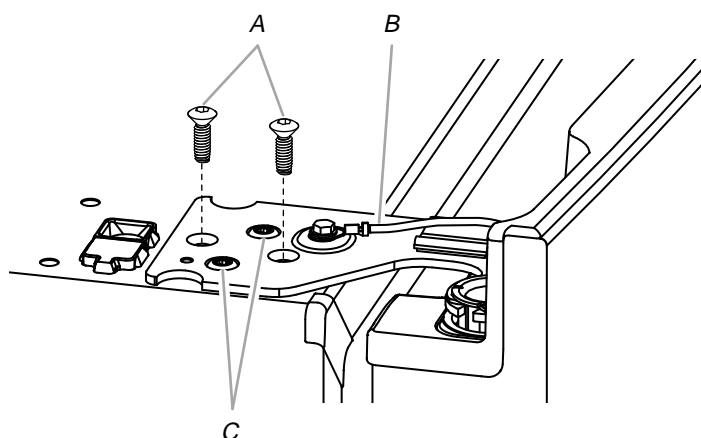
REMARQUE : Ne pas retirer le conducteur vert relié à la terre. Il doit rester fixé à la charnière de porte.



4. Utiliser la clé à tête hexagonale de 3/16" pour enlever les deux vis internes à tête hexagonale de la charnière supérieure et les mettre de côté.

REMARQUES :

- Prévoir un support supplémentaire pour la porte du réfrigérateur pendant le retrait des charnières. La force d'attraction des aimants de la porte ne suffit pas à la maintenir en place pendant la manutention.
- Ne pas retirer les deux vis de positionnement. Ces vis vous aideront à aligner la charnière lors de la réinstallation de la porte.



A. Vis internes à tête hexagonale de 3/16"
B. Conducteur de liaison à la terre (ne pas retirer)

C. Vis de positionnement (ne pas retirer)

5. Soulever la porte du réfrigérateur de l'axe de la charnière inférieure. La charnière supérieure se dégage en même temps que la porte.

REMARQUE : Il ne sera peut-être pas nécessaire d'enlever les charnières inférieures et les pieds de stabilisation pour faire passer le réfrigérateur dans un cadre de porte.

- Uniquement si cela s'avère nécessaire, retirer les charnières inférieures à l'aide d'un tournevis à pointe carrée n° 2 et un tourne-écrou de 3/8" pour retirer les vis des pieds de stabilisation.

Réinstallation de la porte de droite du réfrigérateur

1. Placer la porte de droite sur l'axe de charnière inférieure.
2. Insérer l'axe de charnière supérieure dans le trou béant du sommet de la porte du réfrigérateur.
3. Fixer la charnière à la caisse à l'aide des deux vis internes à tête hexagonale de 3/16". Ne pas complètement serrer les vis.

Réinstallation de la porte de gauche du réfrigérateur

IMPORTANT : Ne pas emmêler le tuyau d'eau et les faisceaux de câblage en les reconnectant.

1. Placer la porte de gauche sur l'axe de charnière inférieure.
2. Fixer la charnière à la caisse à l'aide des deux vis internes à tête hexagonale de 3/16". Ne pas complètement serrer les vis.
3. Raccorder le tuyau du distributeur d'eau.

Style 1 - Enfoncer le tuyau dans le raccord jusqu'à la butée et jusqu'à ce que l'anneau externe soit en contact avec l'avant du raccord.

Style 2 - Enfoncer fermement le tuyau d'eau dans le raccord jusqu'à la butée. Fixer l'attache autour du tube. L'attache se fixe autour du raccord et du collier.

4. Rebrancher le câblage.
 - Remboîter les deux sections de la fiche de câblage.

Étapes finales

1. Serrer complètement les quatre vis internes à tête hexagonale (deux sur la charnière de la porte de droite et deux sur la charnière de la porte de gauche).
2. Réinstaller les deux couvre-charnières supérieurs.

Retrait et réinstallation de l'avant des tiroirs

En fonction de la largeur de l'ouverture de la porte, il faudra peut-être retirer l'avant des tiroirs pour pouvoir introduire le réfrigérateur dans le domicile.

IMPORTANT :

- Si le réfrigérateur était déjà installé et que vous souhaitez le déplacer hors de votre domicile, effectuez d'abord les opérations suivantes : tourner la commande du réfrigérateur sur OFF (arrêt) et débrancher le réfrigérateur ou déconnecter la source de courant électrique. Retirer les aliments des tiroirs.
- Il faudra peut-être deux personnes pour retirer et réinstaller l'avant des tiroirs.

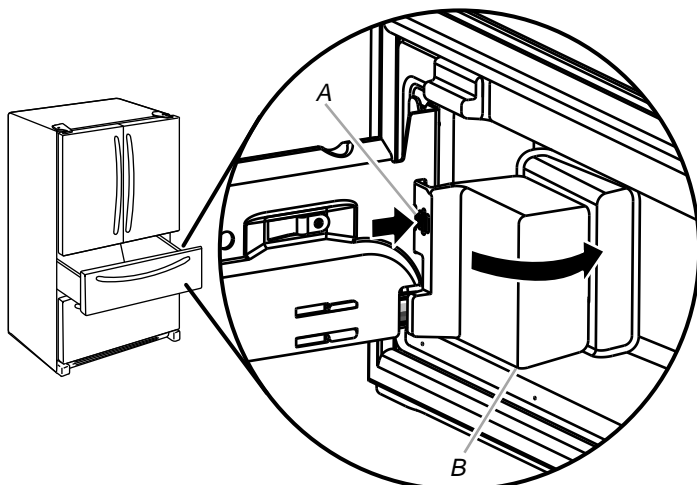
Outils nécessaires : Tourne-écrou à tête hexagonale de 1/4", tournevis plat

Tiroir réfrigéré

Déconnexion du câblage

REMARQUES:

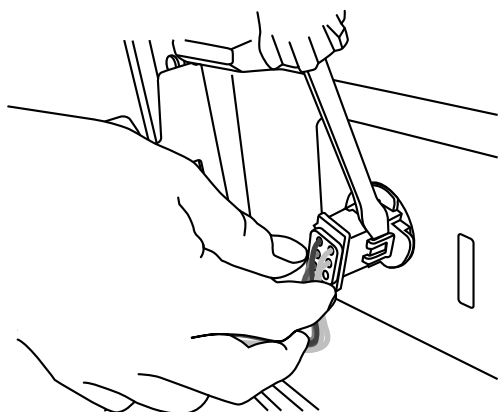
- L'avant extérieur du tiroir réfrigéré est raccordé à la commande de température. Les conducteurs doivent être déconnectés de la commande de température avant de retirer l'avant du tiroir.
 - Le câble gris visible depuis l'arrière et le dessous du garde-manger (du côté droit) contient le câblage de la commande du garde-manger et se déplace en même temps que le garde-manger lorsqu'on retire celui-ci. Il n'est pas nécessaire de déconnecter ce câble.
1. Ouvrir complètement le tiroir et enlever le grand bac intérieur.
 2. Repérer la protection du câblage située à l'arrière de l'avant des tiroirs. Appuyer sur l'onglet de la protection pour libérer les attaches et dégager la protection et accéder au câblage.



A. Appuyer sur l'onglet

B. Protection du câblage

3. D'un côté du connecteur du câblage, insérer la lame du tournevis entre l'onglet du connecteur et le connecteur lui-même pour dégager le connecteur. Répéter l'opération de l'autre côté. Retirer le connecteur de câblage.

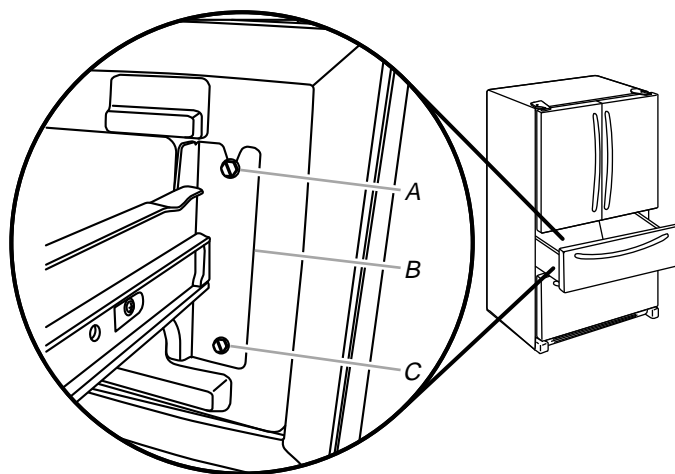


Retrait de l'avant du tiroir

1. À l'aide d'un tourne-écrou à tête hexagonale de 1/4", retirer les deux vis inférieures (une de chaque côté) qui fixent l'avant du tiroir aux glissières de tiroir.
2. À l'aide d'un tourne-écrou à tête hexagonale de 1/4", desserrer les deux vis supérieures (une de chaque côté) qui fixent l'avant du tiroir aux glissières de tiroir.

REMARQUE : Desserrer les vis de trois à quatre tours. Garder les vis dans l'avant du tiroir.

3. Soulever l'avant du tiroir vers le haut et le dégager des supports de glissières de tiroir.



A. Desserrer les vis supérieures
B. Encoche de glissière de tiroir

C. Ôter les vis inférieures

4. Réinsérer les glissières de tiroir dans le réfrigérateur.

Réinstallation de l'avant du tiroir

1. Tirer sur les glissières de tiroir jusqu'à ce qu'elles soient complètement déployées.
2. Abaisser les vis desserrées pour les placer dans le sommet de l'avant du tiroir, dans les encoches supérieures des glissières de tiroir.

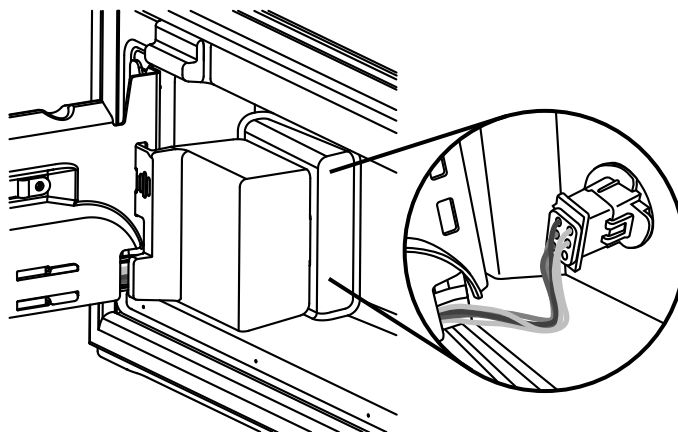
REMARQUE : Pour faciliter l'opération, une personne peut maintenir les glissières de tiroir en place pendant qu'une autre aligne l'avant du tiroir et insère les vis dans les encoches.

3. Aligner les trous au bas de l'avant du tiroir avec les trous au bas des glissières de tiroir et serrer les vis précédemment retirées.
4. Serrer les deux vis supérieures.

Reconnexion du câblage

1. Aligner les deux extrémités du connecteur de câblage et les enfoncer ensemble jusqu'à ce qu'un déclic retentisse et que l'on sente les onglets s'emboîter sur le connecteur.
2. Tirer délicatement sur les conducteurs pour vérifier qu'ils sont parfaitement engagés. Réinstaller le couvercle du boîtier de connexion.

REMARQUE : Le raccordement du câblage doit avoir été exécuté pour que la commande de température du tiroir puisse fonctionner.

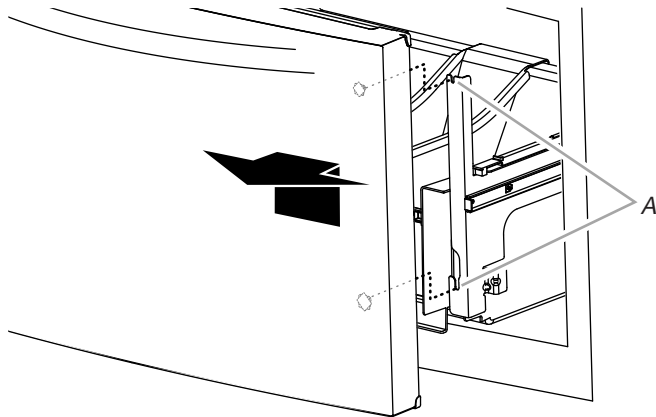


3. Réinstaller le bac intérieur.

Tiroir du congélateur

Retrait de l'avant du tiroir

1. Ouvrir complètement le tiroir de congélation.
2. Desserrer les deux vis supérieures fixant l'avant du tiroir aux glissières de tiroir. Les deux vis (une à gauche et une à droite) se trouvent à l'intérieur de l'avant du tiroir.
3. Soulever l'avant du tiroir pour dégager les pitons en plastique des encoches de la patte de glissière du tiroir.



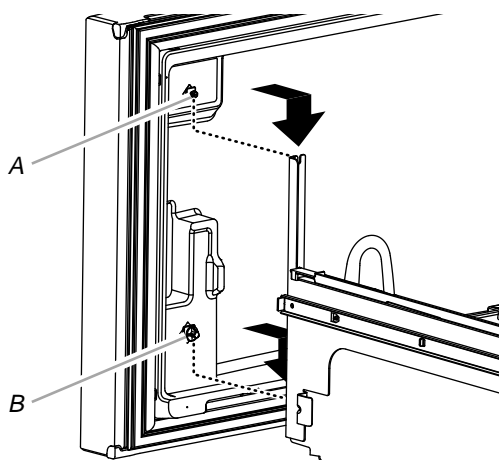
A. Encoches de la patte de glissière du tiroir

4. Réinsérer les glissières dans le congélateur.

Réinstallation de l'avant du tiroir

1. Déployer complètement les glissières de tiroir du congélateur.
2. Tout en saisissant l'avant du tiroir par les côtés, aligner les deux pitons en plastique (situés à l'intérieur de l'avant du tiroir, en bas) avec les encoches des supports de glissières de tiroir.

REMARQUE : Pour faciliter l'opération, une personne peut maintenir les glissières de tiroir en place pendant qu'une autre aligne l'avant du tiroir et insère les pitons dans les encoches.



A. Vis de l'avant du tiroir
B. Piton en plastique de l'avant du tiroir

3. Réinstaller et serrer les deux vis situées au sommet de l'avant du tiroir (une à gauche et une à droite).

Étapes finales

⚠ AVERTISSEMENT



Risque de choc électrique

Brancher sur une prise à 3 alvéoles reliée à la terre.

Ne pas enlever la broche de liaison à la terre.

Ne pas utiliser un adaptateur.

Ne pas utiliser un câble de rallonge.

Le non-respect de ces instructions peut causer un décès, un incendie ou un choc électrique.

1. Brancher la fiche sur une prise de courant à 3 alvéoles, reliée à la terre.
2. Réinitialiser les commandes. Voir "Utilisation de la/des commande(s)" et "Tiroir extérieur à température contrôlée".
3. Retirer toutes les pièces amovibles et aliments des tiroirs.

Exigences d'emplacement

⚠ AVERTISSEMENT



Risque d'explosion

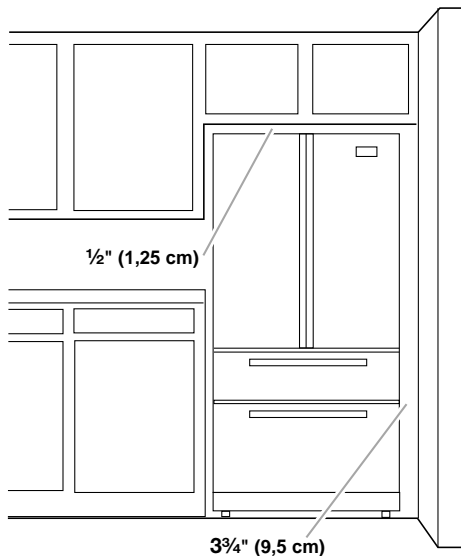
Garder les matériaux et les vapeurs inflammables, telle que l'essence, loin du réfrigérateur.

Le non-respect de cette instruction peut causer un décès, une explosion ou un incendie.

IMPORTANT : Ce réfrigérateur est conçu pour un usage domestique, à l'intérieur uniquement.

Pour assurer une ventilation convenable à votre réfrigérateur, laisser un espace de 1/2" (1,25 cm) au-dessus et de chaque côté du réfrigérateur. Laisser un espace de 1" (2,54 cm) derrière le réfrigérateur. Si votre réfrigérateur comporte une machine à glaçons, s'assurer qu'un espace additionnel est prévu à l'arrière pour permettre les connexions des conduites d'eau. En cas d'installation du réfrigérateur près d'un mur fixe, laisser un minimum de 3/4" (9,5 cm) entre le réfrigérateur et le mur pour permettre l'ouverture de la porte.

REMARQUE : Ce réfrigérateur est conçu pour être utilisé dans un endroit où la température est comprise entre un minimum de 55°F (13°C) et un maximum de 110°F (43°C). La plage de température ambiante idéale pour une performance optimale est comprise entre 60°F (15°C) et 90°F (32°C). Respecter cette plage de température permet aussi de réduire la consommation d'électricité et d'optimiser l'efficacité du refroidissement. Il est recommandé de ne pas installer le réfrigérateur près d'une quelconque source de chaleur, tel un four ou un radiateur.



Spécifications électriques

AVERTISSEMENT



Risque de choc électrique

Brancher sur une prise à 3 alvéoles reliée à la terre.

Ne pas enlever la broche de liaison à la terre.

Ne pas utiliser un adaptateur.

Ne pas utiliser un câble de rallonge.

Le non-respect de ces instructions peut causer un décès, un incendie ou un choc électrique.

Avant de placer le réfrigérateur à son emplacement final, il est important de vous assurer d'avoir la connexion électrique appropriée.

Méthode recommandée de mise à la terre

Une source d'alimentation de 115 volts, 60 Hz, type 15 ou 20 ampères CA seulement, protégée par fusibles et adéquatement mise à la terre est nécessaire. Il est recommandé d'utiliser un circuit distinct pour alimenter uniquement votre réfrigérateur. Utiliser une prise murale qui ne peut pas être mise hors circuit à l'aide d'un commutateur. Ne pas utiliser de câble de rallonge.

REMARQUE : Avant d'exécuter tout type d'installation, nettoyage ou remplacement d'une ampoule d'éclairage, désactiver le refroidissement, et déconnecter ensuite le réfrigérateur de la source d'alimentation électrique. Lorsque l'on a terminé, reconnecter le réfrigérateur à la source d'alimentation électrique et réactiver le refroidissement. Voir "Utilisation de la/ des commande(s)".

Spécifications de l'alimentation en eau

Une alimentation en eau froide avec une pression comprise entre 35 et 120 lb/po² (241 et 827 kPa) est nécessaire pour faire fonctionner le distributeur d'eau et la machine à glaçons. Si on a des questions au sujet de la pression de votre eau, faire appel à un plombier qualifié agréé.

REMARQUE : Si la pression en eau est inférieure aux critères minimaux, le débit du distributeur d'eau pourrait diminuer ou entraîner la formation de glaçons creux ou de forme irrégulière.

Alimentation en eau par osmose inverse

IMPORTANT : La pression de l'alimentation en eau sortant du système d'osmose inverse et entrant dans le robinet d'arrivée d'eau du réfrigérateur doit être comprise entre 35 et 120 psi (241 et 827 kPa).

Si un système de purification de l'eau par osmose inverse est raccordé à l'alimentation en eau froide, la pression de l'eau au système d'osmose inverse doit être d'un minimum de 40 à 60 lb/po² (276 à 414 kPa).

- Vérifier si le filtre à sédiment dans le système à osmose inverse est obstrué. Remplacer le filtre si nécessaire.
- Laisser le réservoir du système d'osmose inverse se remplir après une utilisation intense. La capacité du réservoir est peut-être trop faible pour répondre aux spécifications du réfrigérateur.
- **REMARQUE :** Un système d'osmose inverse monté sur robinet est déconseillé.
- Si le réfrigérateur comporte un filtre à eau, celui-ci peut réduire la pression de l'eau lorsqu'il est utilisé avec un système d'osmose inverse. Enlever le filtre à eau. Voir "Système de filtration de l'eau".

Si on a des questions au sujet de la pression de l'eau, faire appel à un plombier qualifié agréé.

Raccordement à la canalisation d'eau

Lire toutes les instructions avant de commencer.

IMPORTANT :

- Réaliser l'installation de plomberie conformément aux prescriptions du International Plumbing Code et des normes et codes locaux en vigueur.
- Le tuyau d'eau gris situé à l'arrière du réfrigérateur (et utilisé pour raccorder l'appareil à la canalisation d'eau du domicile) est un tuyau en polyéthylène réticulé (PEX). Il est possible d'utiliser des raccords en cuivre ou en polyéthylène réticulé pour le raccordement de la canalisation d'eau du domicile au réfrigérateur - ils contribuent à éviter que l'eau ait un goût ou une odeur désagréable. Vérifier qu'il n'y a pas de fuites.
Si l'on utilise un tuyau en polyéthylène réticulé au lieu d'un tuyau de cuivre, nous recommandons les numéros de pièce Whirlpool suivants :
W10505928RP (PEX chemisé de 7 pi [2,14 m]),
8212547RP (PEX de 5 pi [1,52 m]), ou
W10267701RP (PEX de 25 pi [7,62 m]).
- Installer des tuyaux seulement là où les températures resteront au-dessus du point de congélation.

OUTILLAGE NÉCESSAIRE :

Rassembler les outils et composants nécessaires avant d'entreprendre l'installation.

- Tournevis à lame plate
- Clés plates de 7/16" et 1/2" ou deux clés à molette
- Tourne-écrou de 1/4"

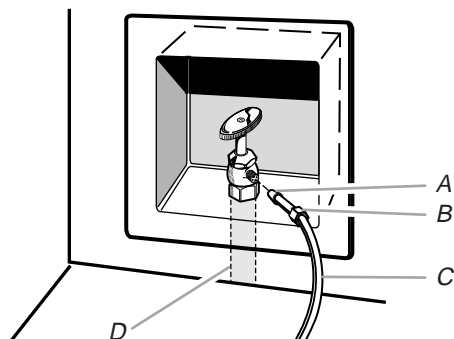
REMARQUE : Ne pas employer de robinet d'arrêt à étrier de 3/16" (4,76 mm) ou de type à percer, car cela réduit le débit d'eau et augmente le risque d'obstruction.

Raccordement à la canalisation d'eau

IMPORTANT : Si l'on doit mettre en marche le réfrigérateur avant de raccorder la canalisation d'eau, placer la machine à glaçons à OFF (arrêt).

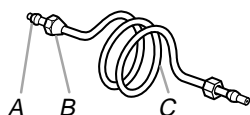
1. Débrancher le réfrigérateur ou déconnecter la source de courant électrique.
2. FERMER le robinet principal d'alimentation en eau. OUVRIR le robinet le plus proche pendant une période suffisante pour purger toute l'eau de la canalisation.
3. Utiliser un robinet d'arrêt quart de tour ou équivalent alimenté par une canalisation d'alimentation en eau domestique de 1/2".

REMARQUE : Pour que le réfrigérateur reçoive un débit d'eau suffisant, on recommande l'emploi d'une canalisation d'alimentation domestique de 1/2" minimum.



A. Bague
B. Écrou
C. Canalisation en cuivre (jusqu'au réfrigérateur)
D. Canalisation d'alimentation en eau du domicile (1/2" minimum)

4. On est maintenant prêt à connecter le tuyau en cuivre au robinet d'arrêt. Utiliser un conduit de cuivre flexible de 1/4" (6,35 mm) de diamètre extérieur pour raccorder le robinet d'arrêt au réfrigérateur.
 - S'assurer d'avoir la longueur nécessaire pour une installation correcte. Il faut s'assurer que les deux extrémités du tuyau en cuivre sont bien coupées à angle droit.
 - Installer la bague et l'écrou à compression sur le tuyau en cuivre tel qu'indiqué. Insérer l'extrémité du tuyau aussi profondément que possible dans l'extrémité de sortie et à l'équerre. Visser l'écrou de compression sur l'extrémité de sortie du raccord à l'aide d'une clé à molette. Ne pas serrer excessivement.



A. Bague de compression
B. Écrou de compression
C. Tube en cuivre

5. Placer l'extrémité libre de la canalisation dans un contenant ou un évier et rétablir l'alimentation principale en eau pour nettoyer le tuyau jusqu'à ce que l'eau soit limpide. Fermer le robinet d'arrêt de la canalisation d'eau.

REMARQUE : Toujours vidanger la canalisation d'eau avant de faire le raccordement final sur l'entrée du robinet pour éviter tout mauvais fonctionnement éventuel du robinet.

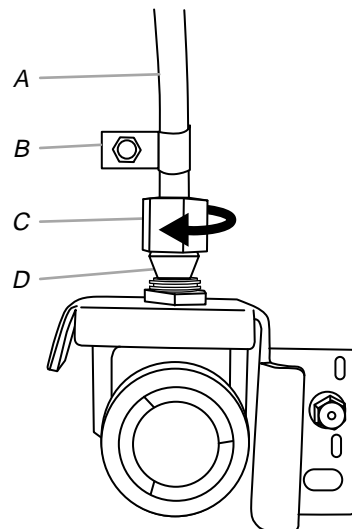
6. Courber le tuyau de cuivre de façon à faire un raccordement sur l'entrée du robinet situé à l'arrière de la caisse du réfrigérateur tel qu'illustré. Laisser une partie du tube en cuivre enroulée pour permettre de dégager le réfrigérateur du placard ou du mur en cas de dépannage.

Raccordement au réfrigérateur

Suivre les instructions relatives au modèle utilisé pour le raccordement.

Style 1

1. Ôter le capuchon de plastique de l'orifice d'entrée d'eau. Raccorder le tube de cuivre au robinet d'arrivée d'eau à l'aide d'un écrou et d'une bague de compression, tel qu'illustré. Serrer l'écrou de compression. Ne pas serrer excessivement. Vérifier la solidité du raccordement en tirant sur le tube en cuivre.
2. Créer une boucle de service avec le tube en cuivre. Éviter de déformer le tube de cuivre en l'enroulant. Fixer le tube en cuivre à la caisse du réfrigérateur à l'aide d'une bride en "P".



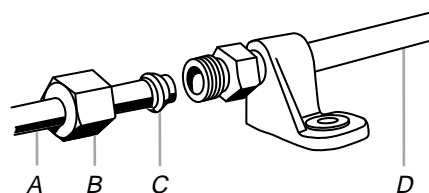
A. Tube en cuivre
B. Bride en "P"
C. Écrou de compression
D. Bague de compression

3. Ouvrir l'arrivée d'eau alimentant le réfrigérateur et vérifier l'absence de fuites. Éliminer toute fuite détectée.

Style 2

1. Débrancher le réfrigérateur ou déconnecter la source de courant électrique.
2. Retirer et jeter la courte pièce en plastique noire de l'extrémité du point d'entrée de la canalisation d'eau.
3. Enfiler l'écrou sur l'extrémité du tuyau. Serrer l'écrou manuellement. Ensuite le serrer deux tours de plus avec une clé. Ne pas serrer excessivement.

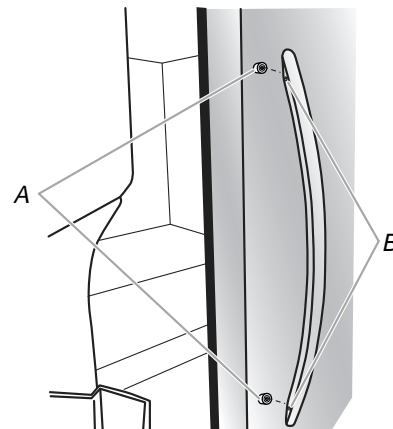
REMARQUE : Pour éviter les vibrations, veiller à ce que la canalisation en cuivre ne soit pas en contact avec les parois latérales de la caisse ou d'autres composants à l'intérieur de la caisse.



A. Canalisation au réfrigérateur
B. Écrou (à acheter)
C. Bague (à acheter)
D. Canalisation au réfrigérateur (fournie)

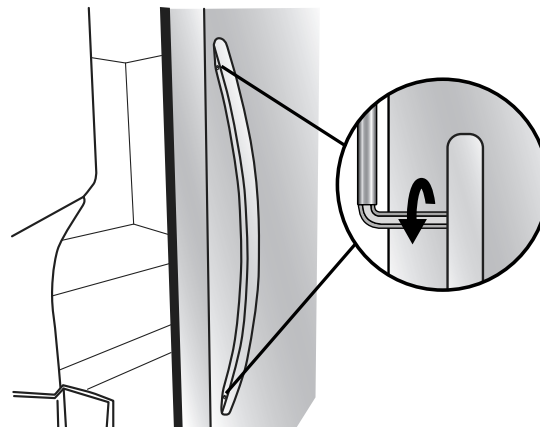
4. Installer la bride de la canalisation d'alimentation en eau bien autour de la canalisation pour réduire la pression sur le raccord.

- OUVRIR le robinet d'arrêt.
- Vérifier qu'il n'y a pas de fuites. Serrer tous les raccords (y compris les raccords du robinet) ou les écrous qui présentent des fuites.
- Sur certains modèles, la machine à glaçons comporte un filtre à eau incorporé. Si les caractéristiques de l'eau requièrent un second filtre à eau, installer celui-ci dans la canalisation d'eau de ¼" (6,35 mm) à l'une ou l'autre des extrémités du tube. Se procurer un filtre à eau auprès de votre marchand d'appareils ménagers.



A. Vis à épaulement
B. Vis de blocage dans la poignée

- Pousser fermement la poignée vers la porte jusqu'à mettre en contact sa surface d'appui avec la porte.
- Tout en maintenant la poignée, introduire le côté court de la clé à tête hexagonale dans le trou supérieur, puis tourner légèrement la clé à tête hexagonale pour l'engager dans la vis de blocage.



- Serrer la vis de blocage jusqu'à ce qu'elle commence à toucher la vis à épaulement en la tournant dans le sens horaire. Ne pas serrer complètement.
 - Répéter les étapes 4 et 5 pour fixer la vis de blocage inférieure.
 - Une fois que les deux vis de blocage ont été partiellement serrées tel que décrit dans les étapes précédentes, serrer complètement les deux vis de blocage.
- IMPORTANT :** Lorsque les vis sont serrées, les serrer d'un quart de tour supplémentaire. Sans ce serrage supplémentaire, la poignée ne sera pas correctement installée.
- Répéter les étapes 2 à 7 pour installer l'autre poignée sur la porte adjacente du réfrigérateur.

Achever l'installation

⚠ AVERTISSEMENT



Risque de choc électrique

- Brancher sur une prise à 3 alvéoles reliée à la terre.
- Ne pas enlever la broche de liaison à la terre.
- Ne pas utiliser un adaptateur.
- Ne pas utiliser un câble de rallonge.
- Le non-respect de ces instructions peut causer un décès, un incendie ou un choc électrique.

- Brancher sur une prise à trois alvéoles reliée à la terre.
- Rincer le système de distribution d'eau. Voir "Distributeurs d'eau et de glaçons".

REMARQUE : Prévoir un délai de 24 heures pour la production du premier lot de glaçons. Jeter les trois premiers lots de glaçons produits. Prévoir un délai de 3 jours pour le remplissage complet du bac d'entreposage à glaçons.

Installation et démontage des poignées

Pièces fournies : Poignées de porte du réfrigérateur (2), poignée du tiroir du congélateur (1), Clé à tête hexagonale de ⅛", vis de blocage (de rechange)

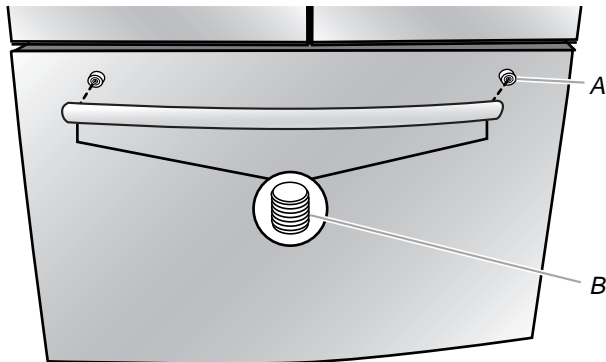
Installation des poignées

REMARQUE : Les vis de blocage des poignées sont préinstallées dans les poignées.

- Retirer les poignées de l'emballage à l'intérieur du réfrigérateur et les placer sur une surface souple.
- Ouvrir une porte du compartiment de réfrigération. Sur la porte fermée, placer une poignée sur les vis à épaulement de façon à ce que les vis de blocage soient orientées vers la porte adjacente.

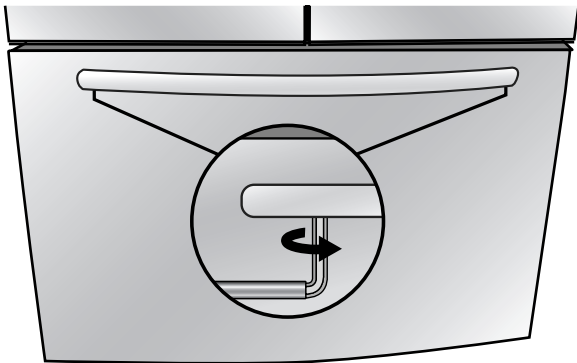
Tiroirs de réfrigération et de congélation

1. Avec le tiroir fermé, placer la poignée sur les vis à épaulement de façon à ce que les vis de blocage soient orientées vers le plancher.



A. Vis à épaulement
B. Vis de blocage dans la poignée

2. Pousser fermement la poignée vers le tiroir jusqu'à mettre en contact sa surface d'appui avec le tiroir.
3. Introduire le côté court de la clé à tête hexagonale dans le trou gauche, puis tourner légèrement la clé à tête hexagonale pour l'engager dans la vis de blocage.



4. En tournant la clé de gauche à droite, serrer la vis de blocage d'un quart de tour à la fois, jusqu'à ce qu'elle commence à toucher la vis à épaulement. Ne pas serrer complètement.
5. Répéter les étapes 11 et 12 pour fixer la vis de blocage de droite à la vis à épaulement.
6. Une fois que les deux vis de blocage ont été partiellement serrées tel que décrit dans les étapes précédentes, serrer complètement les deux vis de blocage.

IMPORTANT : Lorsque les vis sont serrées, les serrer d'un quart de tour supplémentaire. Sans ce serrage supplémentaire, la poignée ne sera pas correctement installée.

7. Conserver la clé à tête hexagonale et toutes les instructions.

Démontage des poignées

1. Tout en maintenant la poignée, introduire le côté court de la clé à tête hexagonale dans le trou d'une vis de blocage, puis tourner légèrement la clé à tête hexagonale pour l'engager dans la vis de blocage.
2. En tournant la clé de droite à gauche, desserrer la vis de blocage d'un quart de tour à la fois.
3. Répéter les étapes 1 et 2 pour l'autre vis de blocage. Tirer doucement la poignée pour la retirer de la porte ou du tiroir.
4. Si nécessaire, retirer les vis à épaulement de la porte avec un tournevis Phillips.

Mise à niveau du réfrigérateur, fermeture et alignement des portes

La grille de la base couvre les pieds de stabilisation réglables et les roulettes situés dans le bas du réfrigérateur sous le tiroir de congélation. Avant d'effectuer des réglages, retirer la grille de la base et déplacer le réfrigérateur jusqu'à sa position de service finale.

Outillage nécessaire : tourne-écrou à tête hexagonale de 1/4"

Outillage fourni : clé à tête hexagonale de 1/8"

1. Retirer la grille de la base. Saisir la grille fermement et la tirer vers soi. Ouvrir le tiroir du congélateur pour accéder aux pieds de stabilisation.

REMARQUE : Afin que le réfrigérateur puisse rouler plus facilement, soulever les pieds de stabilisation en les tournant dans le sens antihoraire. Les roulettes avant toucheront le plancher.



2. Déplacer le réfrigérateur jusqu'à sa position de service finale.
3. Abaisser les pieds de stabilisation en les tournant dans le sens horaire jusqu'à ce que les roulettes ne touchent plus le plancher et que les deux pieds de stabilisation soient en contact ferme avec le plancher. Cela empêche le réfrigérateur de rouler vers l'avant lorsqu'on ouvre les portes du réfrigérateur ou le tiroir du congélateur.

IMPORTANT : Si on a besoin de faire des ajustements supplémentaires au niveau des pieds de stabilisation, tourner les deux pieds de façon égale pour conserver la mise à niveau du réfrigérateur.

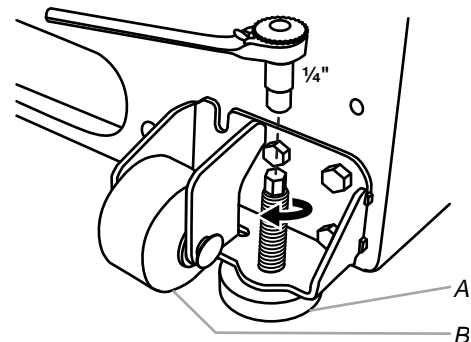
4. S'assurer que les portes ferment facilement. Si vous êtes satisfait de l'ouverture et la fermeture des portes, passer à la section suivante et voir la section "Alignement des portes." En revanche, si les portes ne ferment pas facilement ou si elles s'ouvrent d'elles-mêmes, régler leur inclinaison.

Pour régler l'inclinaison du réfrigérateur :

- Ouvrir le tiroir du congélateur. Utiliser un tourne-écrou à tête hexagonale de 1/4" pour tourner les deux pieds de stabilisation dans le sens horaire de façon égale. Ce réglage soulèvera l'avant du réfrigérateur. Plusieurs tours peuvent être nécessaires pour permettre aux portes de fermer plus facilement.

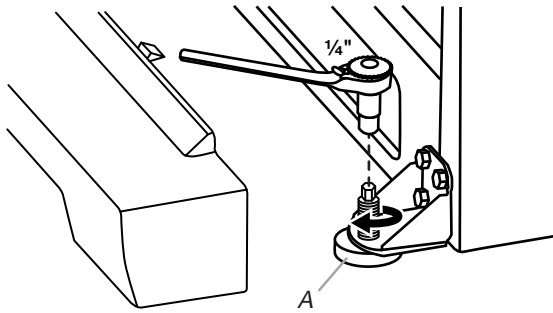
REMARQUE : Le fait de pousser contre le sommet du réfrigérateur permet de réduire le poids appliqué aux pieds de stabilisation et de faciliter ainsi leur vissage.

Style 1



A. Pied de stabilisation
B. Roulette avant

Style 2



A. Pied de stabilisation

5. S'assurer que les portes sont de niveau en haut et que l'espace entre le bas des portes du réfrigérateur et le haut du tiroir du congélateur est de niveau. Si nécessaire, aligner les portes.

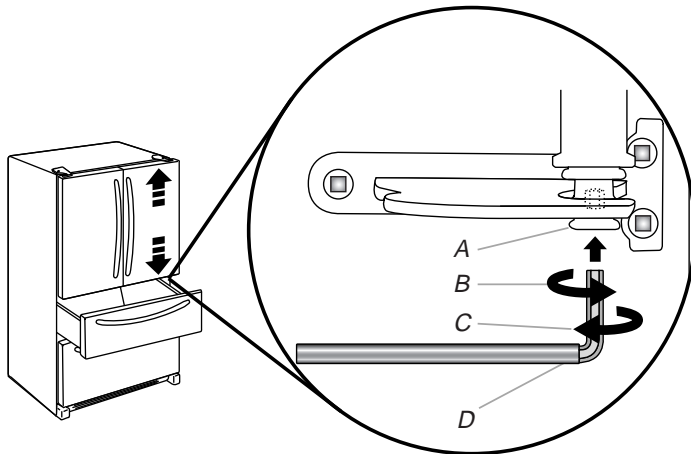
Alignement des portes :

- Tout en maintenant les portes du réfrigérateur fermées, ouvrir le tiroir du réfrigérateur. Localiser l'axe de charnière inférieure de la porte de droite du réfrigérateur. La vis d'alignement est située dans l'axe de charnière inférieure.
- Glisser l'extrémité courte de la clé à tête hexagonale de $\frac{1}{8}$ " (livrée avec les Instructions d'installation de la poignée de la porte) dans l'axe de la charnière inférieure jusqu'à ce qu'elle soit complètement engagée dans la vis d'alignement.

Pour relever la porte, tourner la clé à tête hexagonale vers la droite.

Pour abaisser la porte, tourner la clé à tête hexagonale vers la gauche.

- Continuer à tourner la vis d'alignement jusqu'à ce que les portes soient alignées.



A. Axe de charnière inférieure

B. Tourner vers la droite pour relever la porte

C. Tourner vers la gauche pour abaisser la porte

D. Clé à tête hexagonale de $\frac{1}{8}$ "

6. S'assurer que le réfrigérateur est stable. Si le réfrigérateur semble instable ou qu'il roule vers l'avant lorsqu'on ouvre la porte ou le tiroir, ajuster les pieds de stabilisation.

Stabilisation du réfrigérateur :

- Ouvrir le tiroir du congélateur. À l'aide d'un tourne-écrou à tête hexagonale de $\frac{1}{4}$ ", tourner les deux pieds de stabilisation de façon égale dans le sens horaire jusqu'à ce qu'ils soient en contact ferme avec le plancher. Vérifier de nouveau. Si l'on n'est pas satisfait, continuer d'ajuster les pieds de stabilisation en tournant leurs vis respectives d'un demi-tour jusqu'à ce que le réfrigérateur ne roule pas vers l'avant lorsqu'on ouvre le tiroir.

REMARQUE : Le fait de pousser contre le sommet du réfrigérateur permet de réduire le poids appliqué aux pieds de stabilisation et de faciliter ainsi leur vissage.

7. Réinstaller la grille de la base en alignant les extrémités de la grille avec les dispositifs de nivellement de chaque côté et emboîter la grille.

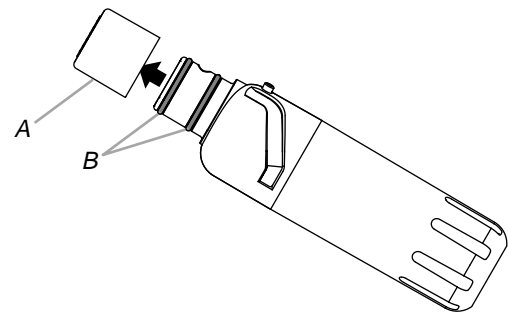
FILTRES ET ACCESSOIRES

Systeme de filtration d'eau

Ne pas utiliser pour le filtrage d'une eau microbiologiquement polluée ou de qualité inconnue en l'absence d'un dispositif de désinfection adéquat avant ou après le système. Les systèmes certifiés pour la réduction de kyste peuvent être utilisés pour l'eau désinfectée qui peut contenir des kystes filtrables.

Installation du filtre à eau

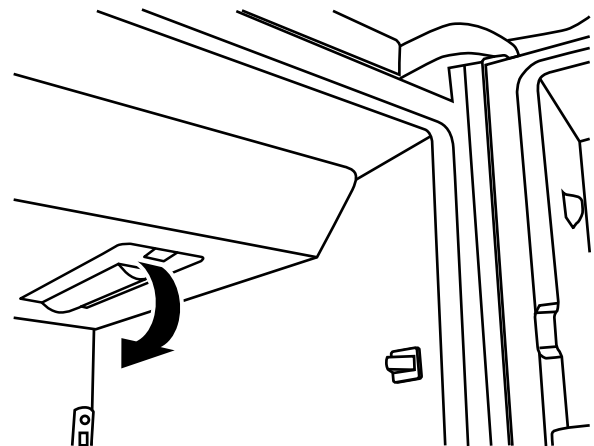
1. Identifier le sachet d'accessoires à l'intérieur du réfrigérateur et retirer le filtre à eau.
2. Retirer le filtre à eau neuf de son emballage, puis retirer les protections des joints toriques. S'assurer que les joints toriques sont toujours en place une fois les protections retirées.



A. O-ring cover

B. Joints toriques

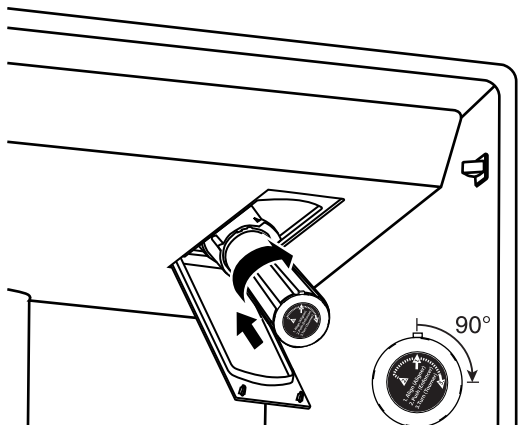
3. Le compartiment du filtre à eau se trouve du côté droit du plafond du réfrigérateur. Pousser la porte du compartiment vers le haut pour dégager le loquet puis abaisser la porte.



4. Aligner l'arête sur l'étiquette du filtre à eau avec l'encoche du logement du filtre et insérer le filtre dans le logement.

5. Tourner le filtre de 90 degrés (d'un quart de tour) dans le sens horaire jusqu'à ce qu'il s'emboîte dans le logement.

REMARQUE : Si le filtre n'est pas bien emboîté dans le logement, le distributeur d'eau ne fonctionnera pas. L'eau ne coulera pas du distributeur.



6. Alors que la porte du compartiment est toujours ouverte, soulever le filtre dans le compartiment. Puis, fermer complètement la porte du compartiment du filtre.
7. Rincer le système de distribution d'eau. Voir "Purge du filtre à eau" dans la section "Distributeurs d'eau et de glaçons".

IMPORTANT : Si l'on ne purge pas le circuit d'eau, on remarquera peut-être que le distributeur d'eau goutte et/ou une réduction du débit.

Témoin lumineux du filtre à eau

Appuyer sur OPTIONS sur le tableau de commande pour lancer le menu Options. Appuyer de nouveau sur OPTIONS (sous le témoin du filtre) pour afficher le pourcentage d'utilisation restant du filtre (de 99 % à 0 %). Appuyer sur le bouton ICE/WATER (glaçon/eau) pour revenir à l'écran normal.

Les témoins lumineux de l'état du filtre à eau vous aideront à savoir quand changer le filtre à eau.

- ORDER FILTER (commander filtre) (jaune) - Il est presque temps de changer le filtre à eau. Au cours de la distribution d'eau, "Order Filter" (commander filtre) clignote sept fois et un signal d'alerte retentit trois fois.
- REPLACE FILTER (remplacer filtre) (rouge) - Remplacer le filtre à eau. Au cours de la distribution d'eau, "Replace Filter" (remplacer filtre) clignote sept fois et un signal d'alerte retentit trois fois.
- RÉINITIALISER la caractéristique de témoin du filtre à eau. Lorsqu'on a remplacé le filtre à eau jetable par un filtre neuf et que l'on referme le clapet du compartiment du filtre, la caractéristique de suivi du statut du filtre se réinitialise automatiquement. Voir "Utilisation des commandes".

REMARQUE : "Replace Filter" (remplacer filtre) reste allumé si aucun filtre n'est installé ou si le filtre n'est pas bien installé.

Remplacement du filtre à eau

Pour commander un filtre à eau de rechange, voir "Accessoires" dans les instructions d'utilisation ou le guide d'utilisation.

Remplacer le filtre à eau jetable lorsque l'écran d'affichage du témoin du filtre à eau l'indique ou au moins tous les 6 mois. Si le débit d'eau au distributeur d'eau ou à la machine à glaçons diminue de façon marquée, changer le filtre à eau plus tôt.

1. Repérer le compartiment du filtre à eau sur le côté droit du plafond du réfrigérateur. Appuyer sur la porte du compartiment pour la déverrouiller puis l'abaisser.

2. Tourner le filtre à eau dans le sens antihoraire (vers la gauche) et le retirer tout droit hors du compartiment.

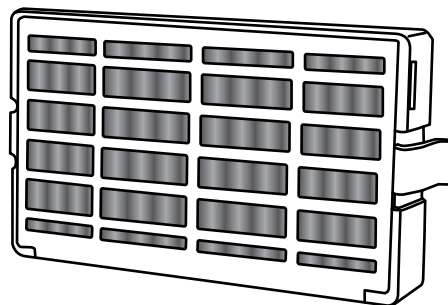
REMARQUE : Il y aura peut-être de l'eau dans le filtre. Il est possible qu'il y ait un déversement. Utiliser une serviette pour essuyer tout renversement.

3. Installer le filtre à eau de rechange en suivant les étapes 2 à 7 de la section "Installation du filtre à eau".

Installation du filtre à air (sur certains modèles)

Un filtre à air est 15 fois plus puissant que le bicarbonate de soude pour réduire les odeurs alimentaires ordinaires à l'intérieur du réfrigérateur.

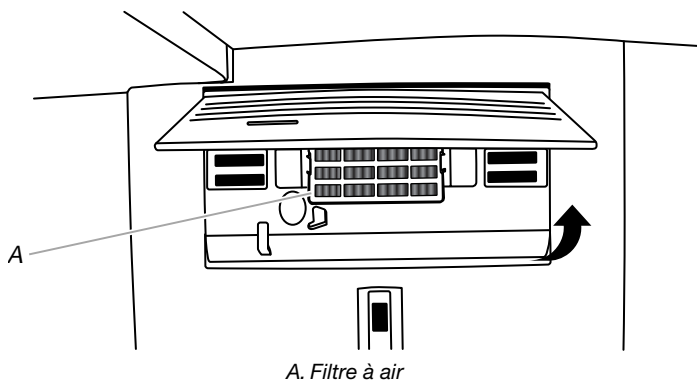
Sur certains modèles, le sachet d'accessoires du réfrigérateur comprend un filtre à air qui doit être installé avant d'utiliser le réfrigérateur.



Installation du filtre à air

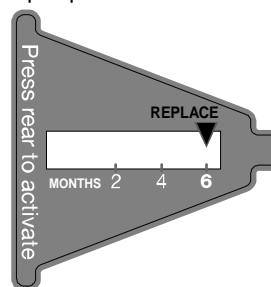
Installer le filtre à air derrière la porte à aérations, le long de la paroi arrière, à proximité du sommet du compartiment de réfrigération.

1. Retirer le filtre à air de son emballage.
2. Ouvrir la porte à aérations en la soulevant.
3. Emboîter le filtre pour le mettre en place.



Installation du témoin de statut de filtre

Le filtre comporte un témoin de statut qui doit être activé et installé en même temps que le filtre à air.



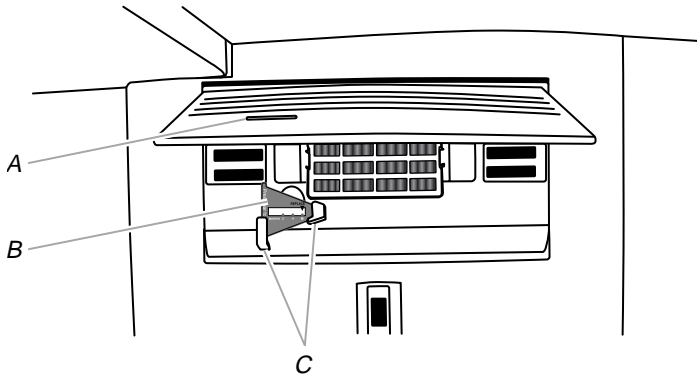
1. Placer le témoin orienté vers le bas sur une surface ferme et plane.
2. Appliquer une pression sur la bulle située à l'arrière du témoin jusqu'à ce que la bulle éclate – ceci active le témoin.
3. Ouvrir la porte du filtre à air à aérations en la soulevant. Sur certains modèles, l'arrière de la porte comporte des encoches.

Modèles avec encoches :

- Faire glisser le témoin vers le bas et l'insérer dans les encoches en orientant l'écran du témoin vers l'extérieur.

REMARQUE : Le témoin ne glissera pas facilement dans les encoches si la bulle n'a pas éclaté.

- Fermer la porte du filtre à air et vérifier que le témoin est visible par la petite fenêtre dans la porte.



A. Fenêtre du témoin
B. Indicateur du statut du filtre à air
C. Encoches

Modèles sans encoches :

- Placer le témoin dans un endroit visible - soit à l'intérieur du réfrigérateur, soit dans un autre endroit de la cuisine ou du domicile.

Remplacement du filtre à air

Le filtre à air jetable doit être remplacé tous les 6 mois, lorsque le témoin est entièrement passé du blanc au rouge.

Pour commander un filtre à air de rechange, nous contacter. Voir "Accessoires" (dans les instructions d'utilisation ou le guide d'utilisation) pour des renseignements sur le processus de commande.

1. Retirer l'ancien filtre à air en serrant les onglets latéraux.
2. Retirer le témoin usagé.
3. Installer le filtre à air et le témoin neufs à l'aide des instructions des sections précédentes.

Accessoires

Les accessoires de réfrigérateur suivants sont disponibles. Pour commander, nous contacter et demander les numéros de pièces.

Aux É.-U., consulter notre page Web www.whirlpool.com/accessoires ou composer le 1-800-901-2042.

Au Canada, consulter notre page Web www.whirlpoolparts.ca ou composer le 1-800-807-6777.

Nettoyant et poli pour acier inoxydable affresh® :

Aux É.-U., commander la pièce numéro W10355016

Au Canada, commander la pièce numéro W10355016B

Lingettes pour acier inoxydable affresh® :

Aux É.-U., commander la pièce numéro W10355049

Au Canada, commander la pièce numéro W10355049B

Nettoyant pour appareil ménager et cuisine affresh® :

Aux É.-U., commander la pièce numéro W10355010

Au Canada, commander la pièce numéro W10355010B

Filtre à eau :

Commander la pièce numéro W10413645A ou FILTER2

Filtre à air :

Commander la pièce numéro W10311524 ou AIR1

Ensemble de démarrage de conservateur pour produits frais :

Commander la pièce n° P1UB6S1

Ensemble-recharge de conservateur pour produits frais :

Commander la pièce n° P1KC6R1

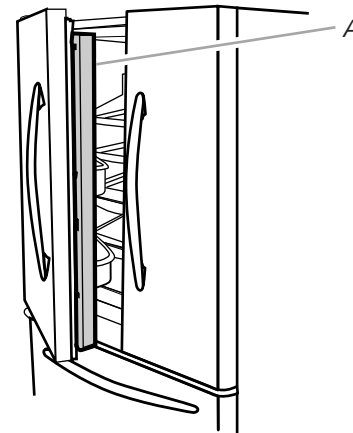
UTILISATION DU RÉFRIGÉRATEUR

Ouverture et fermeture des portes

Il y a deux portes pour le compartiment de réfrigération. Les portes peuvent être ouvertes et fermées séparément ou ensemble.

Il y a sur la porte de gauche du réfrigérateur un joint à charnière verticale.

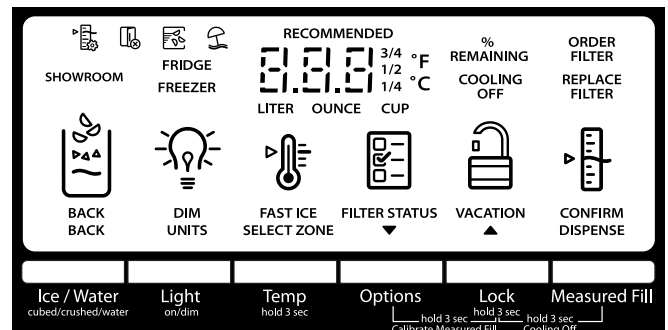
- Lors de l'ouverture de la porte du côté gauche, le joint à charnière se replie automatiquement vers l'intérieur pour qu'il n'y ait pas d'interférence.
- Lorsque les deux portes sont fermées, le joint à charnière assure automatiquement l'étanchéité entre les deux portes.



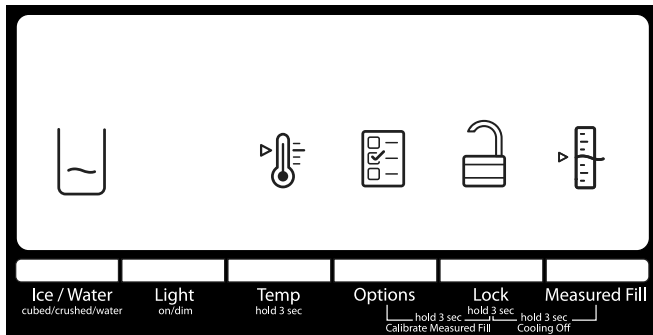
A. Joint à charnière

Utilisation des commandes

Les commandes se trouvent au-dessus du distributeur extérieur.



IMPORTANT : L'écran d'affichage sur le tableau de commande du distributeur s'éteint automatiquement et entre au mode "veille" lorsque les boutons de commande et les leviers du distributeur n'ont pas été utilisés pendant au moins 2 minutes. Appuyer sur n'importe quel bouton de commande pour réactiver l'écran d'affichage. L'écran d'accueil apparaît tel qu'indiqué.



Visualisation et ajustement des points de réglage de température

Pour votre commodité, les commandes du réfrigérateur et du congélateur sont pré-réglées à l'usine.

Lors de l'installation initiale du réfrigérateur, s'assurer que les commandes sont encore pré-réglées aux points de réglage recommandés. Les points de réglage recommandés à l'usine sont 37°F (3°C) pour le réfrigérateur et 0°F (-18°C) pour le congélateur.

IMPORTANT :

- Attendre 24 heures avant d'ajouter des aliments dans le réfrigérateur. Si on ajoute des aliments avant que le réfrigérateur ne soit complètement refroidi, les aliments risquent de s'abîmer.

REMARQUE : Ajuster les points de réglage à un réglage plus froid que celui qui est recommandé ne refroidira pas les compartiments plus rapidement.

- Si la température est trop tiède ou trop froide dans le réfrigérateur ou le congélateur, vérifier d'abord les événements pour s'assurer qu'ils ne sont pas bloqués, avant de régler les commandes.
- Les réglages recommandés devraient être corrects pour une utilisation domestique normale. Les réglages sont faits correctement lorsque le lait ou le jus sont aussi froids que vous l'aimez et lorsque la crème glacée est ferme.

REMARQUE : Dans des zones comme un garage, un sous-sol ou un porche, la température peut être extrême ou le taux d'humidité supérieur à celui de votre domicile. Il peut s'avérer nécessaire d'ajuster la température à d'autres réglages que les réglages recommandés afin de s'adapter à ces conditions.

- Attendre au moins 24 heures entre chaque ajustement. Vérifier à nouveau les températures avant de procéder à d'autres ajustements.

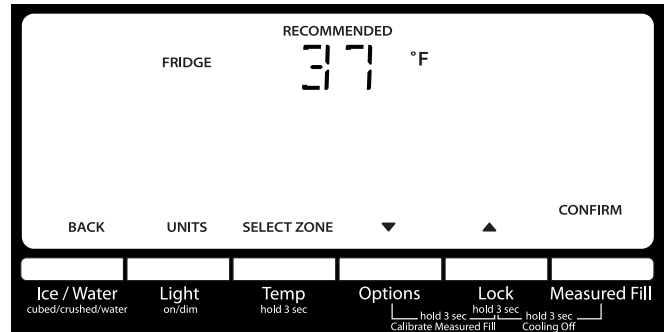
Voir les points de réglage de température

1. Appuyer sur TEMP (température) pendant 3 secondes pour activer le mode Temperature.

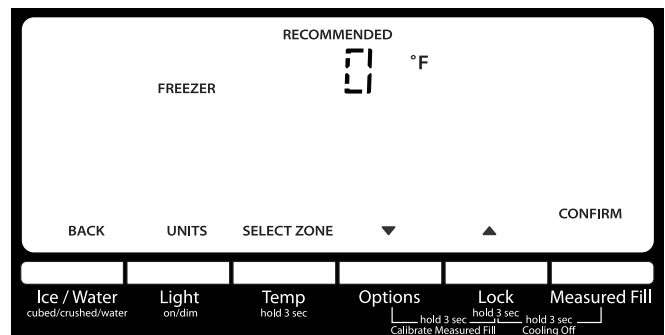
REMARQUE : Pour voir les températures en degrés Celsius, appuyer sur le bouton LIGHT (éclairage), sous Units (unités), lorsque le mode d'ajustement est activé. Pour revenir à l'affichage en Fahrenheit, appuyer à nouveau sur le bouton LIGHT (éclairage).

Lorsque le mode Temperature est activé, appuyer sur TEMP (température) pour alterner entre le réfrigérateur et le congélateur. L'affichage indique le point de réglage de température du compartiment sélectionné, et l'ajustement de température apparaît sur l'écran d'affichage.

Température recommandée du réfrigérateur



Température recommandée du congélateur



Ajustement des points de réglage de température

Échelle des points de réglage pour le réfrigérateur : 33°F à 45°F (0°C à 7°C).

Échelle des points de réglage pour le congélateur : -5°F à 5°F (-21°C à -15°C).

1. Lorsque le mode Temperature est activé, appuyer sur TEMPERATURE pour sélectionner le compartiment de réfrigération. L'affichage indique le point de réglage de température du compartiment sélectionné, tel qu'illustré.
2. Appuyer sur LOCK (verrouillage) pour augmenter le point de réglage, ou sur OPTIONS pour le réduire.
3. Après avoir fini de visualiser (et d'ajuster, si désiré) le point de réglage du réfrigérateur, appuyer TEMP (température), sous Select Zone (sélectionner zone), pour modifier l'affichage et faire apparaître le point de réglage du congélateur. Une fois le changement de compartiment effectué, "FREEZER" (congélateur) apparaît sur l'écran d'affichage.
4. Appuyer sur le bouton LOCK (verrouillage) pour augmenter le point de réglage, ou sur le bouton OPTIONS pour le diminuer.

Sauvegarder/Confirmer les réglages de température

- Après avoir fini d'ajuster les points de réglage du réfrigérateur et du congélateur, appuyer sur MEASURED FILL (remplissage mesuré) pour confirmer et sauvegarder les réglages.

REMARQUE : Pour sortir du mode Temperature sans sauvegarder les modifications, appuyer sur le bouton ICE/WATER (glaçon/eau) sous Back (retour) à tout moment ou laisser 60 secondes d'inactivité s'écouler. Le mode Temperature s'éteint automatiquement et l'affichage de l'écran redevient normal.

Pour l'ajustement des points de réglage de température, utiliser le tableau suivant comme guide :

CONDITION :	AJUSTEMENT DE LA TEMPÉRATURE :
RÉFRIGÉRATEUR trop froid	Réglage du RÉFRIGÉRATEUR 1° plus haut
RÉFRIGÉRATEUR trop tiède	RÉGLAGE DU RÉFRIGÉRATEUR 1° plus bas
CONGÉLATEUR trop froid	Réglage du CONGÉLATEUR 1° plus haut
CONGÉLATEUR trop chaud / Trop peu de glace	RÉGLAGE DU CONGÉLATEUR 1° plus bas

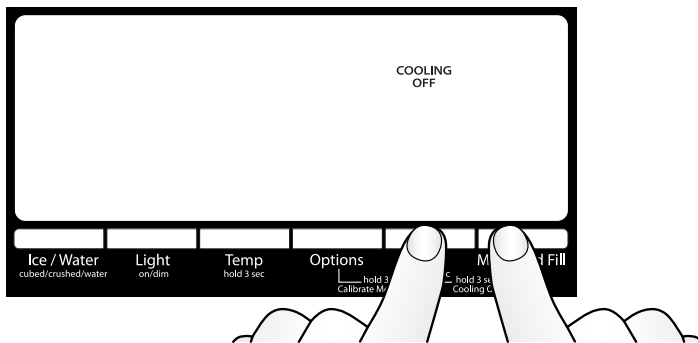
Mise en marche/arrêt du refroidissement

Ni le réfrigérateur, ni le congélateur ne refroidiront lorsque le refroidissement est désactivé.

- Pour désactiver le refroidissement, appuyer simultanément sur les boutons LOCK (verrouillage) et MEASURED FILL (remplissage mesuré) pendant 3 secondes. L'icône de refroidissement désactivé clignote sept fois et reste allumée.

IMPORTANT :

- Afin d'éviter de verrouiller le distributeur ou de modifier des réglages involontairement, appuyer sur les deux boutons exactement au même moment.
- Lorsque le refroidissement est désactivé, les plaques du distributeur et toutes les commandes (à l'exception de Lock [verrouillage] et de Measured Fill [remplissage mesuré]) sont désactivées.



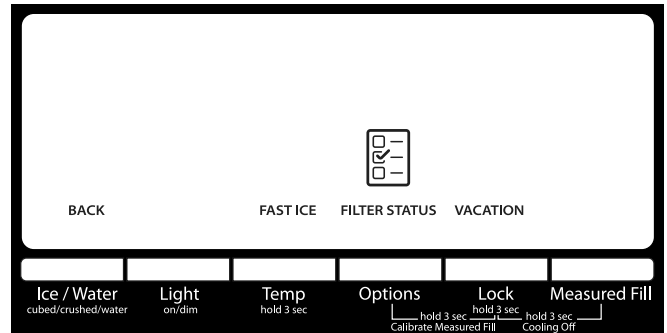
A. Appuyer simultanément sur LOCK (verrouillage) et MEASURED FILL (remplissage mesuré).

- Appuyer de nouveau sur LOCK (verrouillage) et MEASURED FILL pendant 3 secondes pour réactiver le refroidissement.

Options

Appuyer sur le bouton OPTIONS pour ouvrir le menu Options et choisir entre Fast Ice (glaçons rapides), Filter Status (statut du filtre) ou Vacation mode (mode vacances).

Appuyer sur le bouton ICE/WATER (glaçon/eau) à n'importe quel moment pour revenir à l'écran normal.



Fast Ice (glaçons rapides)

La caractéristique Fast Ice (glaçons rapides) augmente la production de glaçons, ce qui est utile en période d'utilisation intensive de glaçons.

- Pour activer la caractéristique Fast Ice (glaçons rapides), appuyer sur le bouton OPTIONS pour accéder au mode Options puis appuyer sur TEMP (température), sous glaçons rapides pour activer la caractéristique. Lorsque cette caractéristique est activée, l'icône "Fast Ice" (glaçons rapides) apparaît sur l'écran d'affichage du distributeur. La caractéristique Fast Ice (glaçons rapides) reste activée pendant 24 heures à moins d'être désactivée manuellement.



- Pour désactiver manuellement la caractéristique Fast Ice (glaçons rapides), appuyer sur le bouton OPTIONS pour accéder au mode Options (sauf si vous êtes déjà au mode Options) puis appuyer de nouveau sur le bouton TEMP (température) sous "Fast Ice". Lorsque cette caractéristique est désactivée, l'icône de glaçons rapides disparaît de l'affichage du distributeur.

Statut du filtre

Affiche le pourcentage d'utilisation restant du filtre à eau (de 100 % à 0 %).

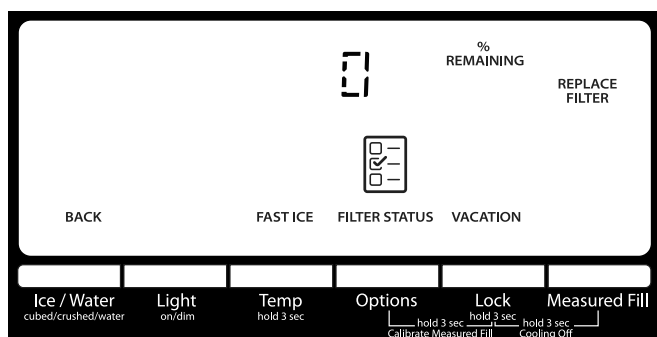
Pour accéder au témoin de statut du filtre, appuyer sur le bouton OPTIONS pour accéder au menu Options puis appuyer sur OPTIONS, sous Filter Status (statut du filtre), pour afficher le pourcentage de vie restant du filtre à eau.

À NOTER ÉGALEMENT

Les témoins lumineux du filtre à eau vous aideront à savoir quand changer le filtre à eau.

- ORDER FILTER (commander filtre) (jaune) – Commander un filtre à eau de rechange.
- REPLACE FILTER (remplacer filtre) (rouge) – Remplacer le filtre à eau. Si l'on remplace le filtre à eau jetable, la caractéristique de suivi de statut du filtre à eau sera automatiquement réinitialisée. Voir "Système de filtration de l'eau".

REMARQUE : REPLACE FILTER (remplacer filtre) s'allume si aucun filtre n'est installé ou si le filtre n'est pas bien installé.



Mode vacances

Au mode Vacation (vacances), le congélateur se dégivrera moins souvent pour économiser de l'énergie.

- Pour activer le mode Vacation (vacances), appuyer sur le bouton OPTIONS pour accéder au mode Options, puis appuyer sur LOCK (verrouillage), sous Vacation (vacances), pour activer la caractéristique. Lorsque cette caractéristique est activée, l'icône de vacances apparaît sur l'écran d'affichage du distributeur tel qu'indiqué.
- Pour désactiver le mode Vacation (vacances), appuyer sur le bouton OPTIONS pour accéder au menu Options, puis appuyer sur LOCK (verrouillage), sous Vacation (vacances), pour désactiver la caractéristique. L'icône de "vacances" disparaît de l'affichage, et les réglages effectués avant que le mode Vacation (vacances) soit activé sont réactivés.



REMARQUES :

- Durant la première heure qui suit l'activation du mode Vacation (vacances), l'ouverture ou la fermeture de la porte du réfrigérateur n'affecte pas le réglage. Au-delà d'une (1) heure, l'ouverture ou la fermeture de la porte du réfrigérateur désactivera le mode Vacation (vacances).
- Lorsque l'appareil est en mode de vacances, si la fonction Fast Ice (glaçons rapides) est activée ou que l'alarme de porte ouverte retentit, le mode Vacation (vacances) est annulé.

Caractéristiques supplémentaires

Avertisseur de porte entrouverte

La caractéristique d'alarme de porte entrouverte fait retentir un signal d'alarme lorsque la/les porte(s) ou le tiroir du congélateur est/sont ouvert(es) pendant 5 minutes et que le refroidissement est activé. L'alarme retentira toutes les 2 minutes. Fermer le tiroir et toutes les portes pour désactiver l'alarme. La caractéristique se réinitialise et se réactive ensuite si l'une des portes est de nouveau laissée ouverte pendant 5 minutes.

- **REMARQUE :** Pour que l'alarme sonore cesse de retentir tout en gardant les portes ouvertes, comme lors du nettoyage de l'intérieur du réfrigérateur, appuyer sur n'importe quel bouton sur le tableau de commande. L'alarme sera temporairement supprimée, mais l'icône de porte entrouverte restera affichée sur le tableau de commande du distributeur.



Désactivation des signaux sonores

- Pour désactiver les signaux sonores des commandes et du distributeur, appuyer simultanément sur ICE/WATER (glaçons/eau) et MEASURED FILL (remplissage mesuré) pendant 3 secondes. Tous les signaux sonores normaux de fonctionnement sont désactivés. Seuls les signaux d'alerte retentiront normalement.
- Pour réactiver tous les signaux sonores, appuyer de nouveau simultanément sur ICE/WATER (glaçons/eau) et MEASURED FILL (remplissage mesuré) pendant 3 secondes.

Mode Showroom (exposition)

Ce mode est réservé au moment où le réfrigérateur est en exposition dans le magasin. Si on active involontairement le mode Showroom (exposition), "Showroom" (exposition) s'allume sur l'affichage. Pour sortir du mode Showroom (exposition), appuyer simultanément sur LIGHT (éclairage) et LOCK (verrouillage) pendant 3 secondes.

Caractéristiques du réfrigérateur

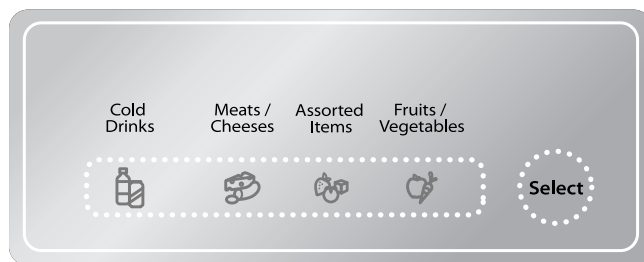
Tiroir externe à température contrôlée

IMPORTANT : Cette commande règle uniquement la température de ce tiroir

On peut utiliser le tiroir de pleine largeur pour stocker des plats de fêtes de grande taille ou des plats de spécialités alimentaires. On peut aussi utiliser l'organisateur de tiroir pour stocker des articles plus petits tels les yaourts, les briques de jus de fruits ou les déjeuners à emporter pour un accès facile.

Les températures de conservation sont préréglées : Cold Drinks (boissons froides), Meats/Cheeses (viandes/fromages), Assorted items (assortiment d'articles) et Fruits/Vegetables (fruits/légumes). Ces températures préréglées ne peuvent être ajustées.

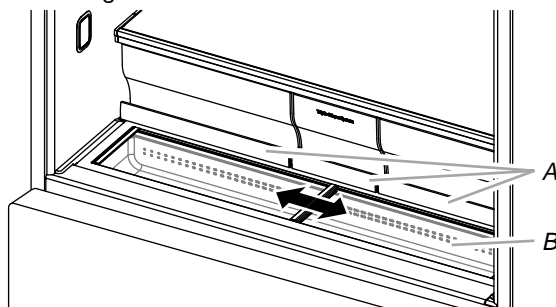
Appuyer sur SELECT (sélectionner) pour passer d'un réglage de température à l'autre. L'icône s'allume lorsque le réglage est sélectionné.



Bac facilegliss

Un compartiment de stockage peu profond qui glisse d'un côté et de l'autre est situé en bas du réfrigérateur, devant les bacs à légumes.

REMARQUE : L'humidité ou la température du compartiment ne sont pas contrôlées. Il est donc déconseillé de l'utiliser pour conserver les légumes à feuilles.



A. Poignées du bac à légumes
B. Bac Facilegliss

Pour retirer le bac Facilegliss :

5. Enlever les trois bacs à légumes.
6. Saisir le couvercle coulissant supérieur à côté de la garniture et soulever pour le retirer. Retirer le couvercle inférieur.
7. Saisir l'avant du bac avec les deux mains puis, soulever l'avant pour le retirer.

Pour replacer le bac Facilegliss :

1. Incliner légèrement l'arrière du bac vers le haut.
2. Aligner l'arête centrale et les languettes du bac Facilegliss avec les arêtes et encoches du cabinet.
3. Abaisser le bac pour le mettre en place.

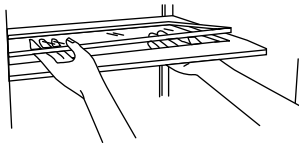
Bacs à légumes

Dépose et réinstallation des bacs :

1. Saisir la poignée au bas du bac et faire glisser le bac en ligne droite vers l'extérieur jusqu'à la butée. Soulever le bac des glissières et le retirer complètement.
2. Réinstaller le bac en le faisant glisser sur les glissières et en les repoussant au-delà de la butée pour les réinsérer complètement.

Dépose du couvercle du/des bac(s) à légumes :

1. Retirer les bacs à légumes.
2. En maintenant fermement l'encart de verre d'une main, appuyer sur le milieu de l'encart de verre jusqu'à ce qu'il s'élève au-dessus du cadre en plastique. Faire glisser doucement l'encart de verre vers l'avant pour le retirer.
3. Soulever le cadre du couvercle et le retirer.



Remise en place du couvercle du/des bac(s) à légumes :

1. Placer l'arrière du cadre du couvercle dans les supports des parois latérales du réfrigérateur et abaisser l'avant du cadre du couvercle pour le mettre en place.
2. Faire glisser l'encart arrière de verre dans le cadre du couvercle et abaisser l'avant pour le mettre en place.
3. Remettre les bacs à légumes en place.

Distributeurs d'eau et de glaçons

IMPORTANT :

- Attendre 3 heures pour que le réfrigérateur refroidisse et refroidisse l'eau.
- Prévoir un délai de 24 heures pour la production du premier lot de glaçons. Jeter les trois premiers lots de glaçons produits.
- Le système de distribution ne fonctionne pas lorsque la porte du réfrigérateur ou le tiroir du congélateur est ouvert(e).

Rinçage du circuit d'eau

De l'air piégé dans le système de distribution d'eau peut faire goutter le distributeur d'eau. Après avoir raccordé le réfrigérateur à une source d'alimentation en eau ou remplacé le filtre à eau, vidanger le circuit d'eau.

Le fait de rincer le système de distribution d'eau évacue l'air de la canalisation et du filtre, et conditionne le filtre à eau. Une vidange supplémentaire peut être nécessaire dans certains domiciles.

REMARQUE : Pendant l'évacuation de l'air, de l'eau peut gicler du distributeur.

1. Utiliser un récipient robuste pour appuyer sur la plaque du distributeur d'eau pendant 5 secondes.
2. Relâcher la plaque du distributeur pendant 5 secondes. Répéter les étapes 1 et 2 jusqu'à ce que l'eau commence à couler.
3. Une fois que l'eau commence à couler, continuer d'appuyer puis de relâcher la plaque du distributeur (appui pendant 5 secondes, relâchement pendant 5 secondes) jusqu'à ce qu'un total de 3 gal. (12 L) ait été distribué.

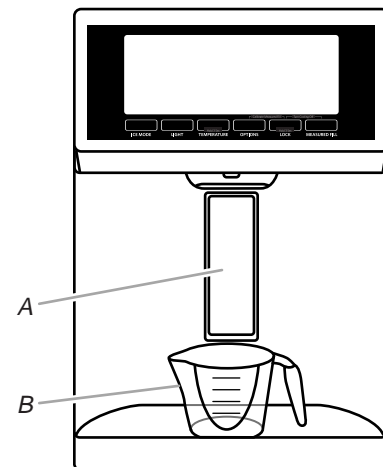
Calibration du remplissage mesuré

Une faible pression en eau peut affecter la précision de cette caractéristique. Pour une performance optimale du distributeur d'eau, il faut donc d'abord calibrer la fonction de remplissage mesuré.

IMPORTANT :

- Purger le circuit d'eau avant de calibrer le remplissage mesuré.
 - Pour des résultats optimaux, le calibrage doit être effectué alors que l'eau n'est pas utilisée au domicile.
1. Placer une tasse à mesurer robuste (format 1 tasse) sur le plateau d'égouttement du distributeur, situé devant la plaque de distribution de glaçons/eau.

REMARQUE : Pour certains modèles, une tasse à mesurer est incluse.

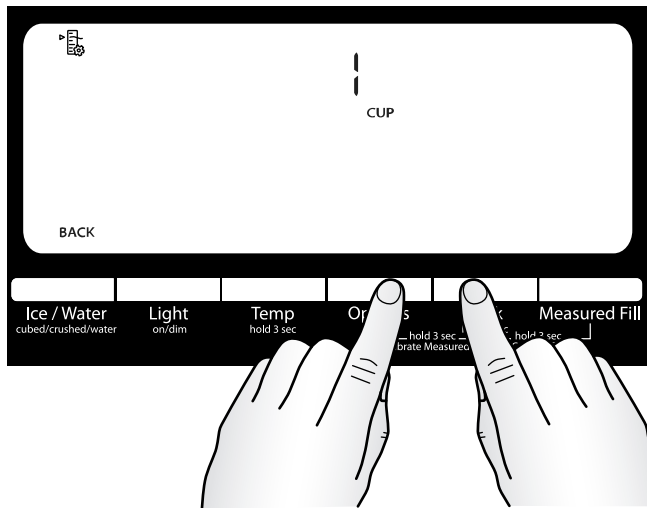


A. Plaque du distributeur de glaçons/eau
B. Tasse à mesurer (1 tasse)

2. Appuyer simultanément et sans relâcher sur les boutons OPTIONS et LOCK (verrouillage) pendant 3 secondes. Les mots "Back" (retour) et "1 Cup" (1 tasse) apparaissent sur l'écran d'affichage. L'icône de calibration du remplissage mesuré s'allume également – elle reste allumée pendant le calibrage de la fonction de remplissage mesuré.

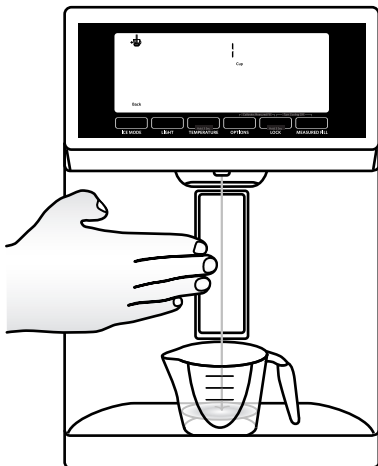


REMARQUE : À tout moment, on peut appuyer sur le bouton ICE/WATER (glaçons/eau) sous Back (retour) pour quitter le mode de calibrage. L'icône de calibrage du remplissage mesuré s'éteint.

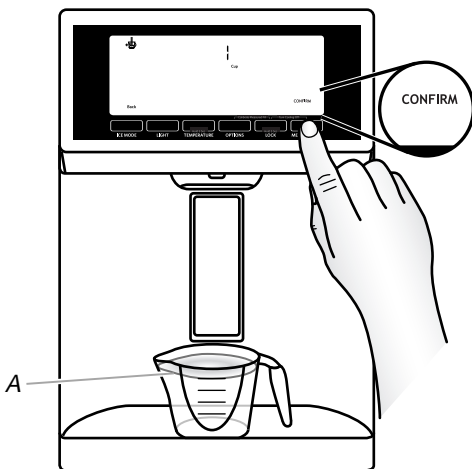


- Appuyer sur puis relâcher la plaque du distributeur à glaçons/eau autant de fois que nécessaire pour remplir la tasse d'eau jusqu'à la ligne de remplissage maximal.

REMARQUE : Si un remplissage excessif ou un renversement se produit, jeter l'eau et appuyer sur ICE/WATER (glaçons/eau) sous Back (retour) pour réinitialiser le processus de calibrage.



- Une fois qu'une tasse d'eau a été versée dans la tasse à mesurer, appuyer sur le bouton MEASURED FILL (remplissage mesuré) sous le mot "Confirm" (confirmer) pour confirmer le calibrage.



A. 1 tasse d'eau

- Une fois le calibrage de la fonction Measured Fill (remplissage mesuré) confirmé, les icônes disparaissent et l'affichage revient à l'écran d'accueil.

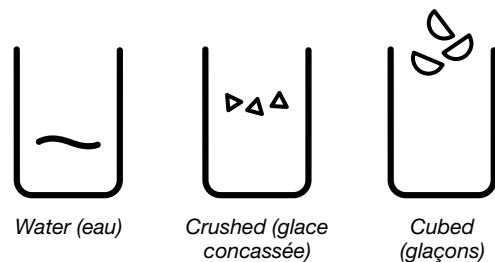
Distribution

Appuyer de nouveau sur ICE/WATER (glaçons/eau) pour commuter entre les choix suivants (répétés en boucle) :

- Water (eau) (par défaut) - Distribue de l'eau
- Cubed (glaçons) - Distribue des glaçons.
- Crushed (glace concassée) - Distribue de la glace concassée

REMARQUES :

- L'écran affiche "ICE" (glace) et indique le type de glace sélectionné (concassée ou sous forme de glaçons).
- Pour de la glace concassée, les glaçons sont concassés avant d'être distribués. Cette action peut causer un court délai lors de la distribution de glace concassée. Le bruit du broyeur de glaçons est normal et la dimension des morceaux de glace peut varier.
- Lorsqu'on passe du mode glace concassée au mode glaçons, quelques onces de glace concassée sont distribuées avec les premiers glaçons.



Distributeur d'eau

IMPORTANT :

- Distribuer au moins 1 pte (1 L) d'eau chaque semaine pour maintenir un approvisionnement en eau fraîche.
- Si le débit en provenance du distributeur diminue, cela peut être dû à une faible pression en eau.
 - Une fois le filtre à eau retiré, verser l'équivalent d'une tasse (237 mL) d'eau. Si l'équivalent d'une tasse (237 mL) d'eau est distribué en 8 secondes ou moins, cela signifie que la pression en eau alimentant le réfrigérateur répond au critère minimal.
 - S'il faut plus de 8 secondes à la machine pour distribuer l'équivalent d'une tasse (237 mL) d'eau, cela signifie que la pression en eau alimentant le réfrigérateur est inférieure au niveau recommandé. Voir "Spécifications de l'alimentation en eau" et "Dépannage" pour des suggestions sur la marche à suivre.

Distribution d'eau (standard) :

- Sélectionner le mode eau.
- Appuyer un verre robuste contre la plaque de distribution.

REMARQUE : Pendant le puisage de l'eau et pendant les 3 secondes suivant l'arrêt de la distribution, l'affichage numérique indique la quantité d'eau distribuée.

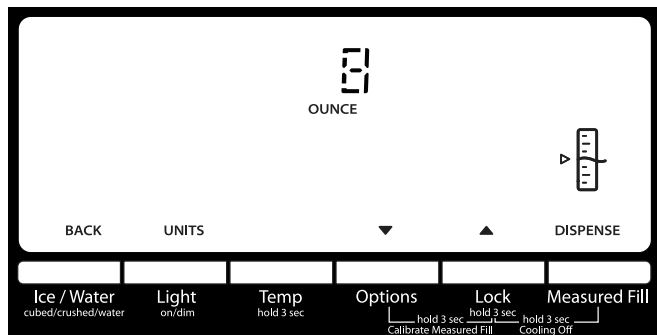
- Retirer le verre pour arrêter la distribution.

Distribution d'eau (remplissage mesuré) :

La fonction Measured Fill (remplissage mesuré) permet de distribuer une quantité d'eau précise en appuyant simplement sur quelques boutons.

REMARQUE : La quantité d'eau distribuée correspondra à la quantité sélectionnée. Vérifier que le récipient est vide et peut contenir le volume complet. Si de la glace se trouve dans le récipient, il peut être nécessaire d'ajuster la sélection.

- Appuyer sur le bouton MEASURED FILL (remplissage mesuré) pour activer la fonction. Une fois la caractéristique activée, l'écran de remplissage mesuré apparaît sur l'affichage.



REMARQUES :

- Le distributeur désactive automatiquement la fonction de remplissage mesuré après 1 minute d'inactivité. Lorsque la fonction Measured Fill (remplissage mesuré) est désactivée, toute modification effectuée est perdue et les réglages par défauts sont réactivés.
 - Appuyer sur le bouton ICE/WATER (glaçons/eau) sous Back (retour) pour désactiver la caractéristique de remplissage mesuré manuellement.
- Pour passer des onces aux tasses ou aux litres, appuyer sur LIGHT (éclairage), sous Units (unités). L'unité utilisée par défaut est l'once.

Les volumes par défaut, minimum et maximum sont indiqués ci-dessous.

Unités	Par défaut	Minimum	Maximum
Onces	8	1	128
Tasses	1	1/4	16
Litres	0,25	0,05	4,00

- Appuyer sur les boutons LOCK (verrouillage) et OPTIONS pour ajuster le volume comme désiré. Le bouton LOCK (verrouillage) augmente le volume, et le bouton OPTIONS réduit le volume.

REMARQUES :

- Lorsqu'on augmente ou diminue le volume de distribution, il est possible que le tableau de commande cesse de réagir si l'on appuie sur un bouton de réglage (-/+) pendant environ 10 secondes ou plus. Relâcher le bouton pendant environ 2 secondes et reprendre ensuite le processus de réglage.
 - La plupart des tasses à café (généralement de 4 à 6 oz [118 à 177 mL] par tasse) ne sont pas de la même taille qu'une tasse à mesurer (8 oz [237 mL]). Il peut être nécessaire d'ajuster le volume pour éviter un remplissage excessif non intentionnel des tasses à café.
- Distribuer de l'eau.

REMARQUE : Au cours de la distribution de l'eau, l'affichage numérique procède à un décompte de la quantité d'eau qu'il reste à distribuer, en fonction du volume sélectionné. Le débit d'eau s'arrête automatiquement une fois que le volume désiré a été distribué.

- Appuyer un verre robuste contre la plaque de distribution.
- OU**
- Placer le verre sous le distributeur d'eau et appuyer sur le bouton MEASURED FILL (remplissage mesuré) pour que l'eau soit distribuée sans avoir à tenir le verre.
- Pour arrêter la distribution avant que le volume sélectionné ait été distribué, retirer le verre de la plaque du distributeur OU appuyer une seconde fois sur le bouton MEASURED FILL (remplissage mesuré).

REMARQUE : Si vous arrêtez la distribution avant que la totalité du volume souhaité ait été distribuée, l'affichage numérique continue d'indiquer la quantité d'eau qui reste à distribuer. L'affichage s'éteint après une minute d'inactivité.

- Pour sélectionner un nouveau volume ou relancer la distribution d'un volume identique, il faut d'abord finir de distribuer le volume sélectionné, ou bien désactiver la caractéristique Measured Fill (remplissage mesuré) soit en attendant 1 minute que la machine s'éteigne automatiquement, soit en appuyant sur ICE/WATER (glaçons/eau) sous Back (retour) pour l'éteindre manuellement et la réactiver ensuite.

Distributeur à glaçons

IMPORTANT :

- Si les glaçons sont creux ou que leur forme est irrégulière, cela peut être dû à une faible pression en eau. Voir "Spécifications de l'alimentation en eau".
- Les glaçons passent du bac d'entreposage à glaçons par le goulet du distributeur avant d'arriver dans le distributeur lui-même. Pour éteindre la machine à glaçons, voir "Machine à glaçons et bac d'entreposage".

Nettoyage du goulet du distributeur à glaçons :

L'humidité entraîne l'agglomération des glaçons. Des résidus de glace peuvent s'accumuler et obstruer le goulet du distributeur à glaçons.

Si de la glace n'est pas distribuée régulièrement, il peut être nécessaire de vider le bac d'entreposage et nettoyer à la fois le goulet de distribution des glaçons, le bac d'entreposage à glaçons et la zone située sous le bac d'entreposage toutes les 2 semaines.

- À l'aide d'un ustensile en plastique si nécessaire, retirer les glaçons obstruant le bac d'entreposage ou le goulet de distribution des glaçons.
- Nettoyer le goulet de distribution des glaçons et le fond du bac d'entreposage à glaçons à l'aide d'un chiffon tiède et humide puis sécher soigneusement ces deux sections.

Distribution de glace :

- Sélectionner le type de glace souhaité. Pour passer des glaçons à la glace concassée, appuyer sur ICE/WATER (glaçons/eau).

⚠ AVERTISSEMENT



Risque de coupure

Utiliser un verre robuste pour prendre des glaçons.

Le non-respect de cette instruction peut causer des coupures.

- Appuyer un verre robuste contre la plaque de distribution. Tenir le verre près de l'ouverture du distributeur pour que les glaçons ne tombent pas à côté du verre.
- IMPORTANT :** Il n'est pas nécessaire d'exercer une pression importante sur la plaque pour activer le distributeur de glaçons. Une pression forte ne donne pas une distribution plus rapide de glaçons ou des quantités plus grandes.

- Retirer le verre pour arrêter la distribution.

REMARQUE : La distribution de glaçons peut se poursuivre pendant plusieurs secondes après que le verre a été retiré de la plaque du distributeur. Le distributeur peut continuer à faire du bruit pendant quelques secondes après la distribution.

Lumière du distributeur

Lorsqu'on utilise le distributeur, la lampe s'allume automatiquement.

Pour allumer la lumière lorsque vous ne distribuez pas d'eau :

Appuyer sur LIGHT (éclairage) pour permuter entre les choix suivants (répétés en boucle) :

- OFF (arrêt) (par défaut) - L'éclairage du distributeur est éteint
- ON (marche) – L'éclairage du distributeur reste allumé au niveau de luminosité maximal
- DIM (sombre) – L'éclairage du distributeur reste allumé à 50 % de sa luminosité maximale

Les lampes du distributeur sont des DEL qui ne peuvent pas être remplacées. Si l'éclairage du distributeur ne semble pas fonctionner, voir "Dépannage" pour plus d'information.



ON (marche)



DIM (sombre)

Dispositif de verrouillage du distributeur

Le distributeur peut être arrêté pour un nettoyage facile ou pour éviter la distribution involontaire par de jeunes enfants ou des animaux de compagnie.

REMARQUE : La fonction de verrouillage n'interrompt pas l'alimentation électrique au réfrigérateur, à la machine à glaçons ou à la lampe du distributeur. Elle sert simplement à désactiver les commandes et les leviers du distributeur. Pour éteindre la machine à glaçons, voir "Machine à glaçons et bac d'entreposage".

- Appuyer sur LOCK (verrouillage) pendant 3 secondes pour verrouiller le distributeur.
- Appuyer une seconde fois sur LOCK pour déverrouiller le distributeur.

L'écran d'affichage indique si le distributeur est verrouillé.



LOCKED
(verrouillage)



UNLOCKED
(déverrouillage)

Machine à glaçons et bac d'entreposage à glaçons (sur certains modèles)

IMPORTANT : Afin d'éviter une faible production de glaçons ou des glaçons de mauvaise qualité, vidanger le circuit d'eau avant de mettre en marche la machine à glaçons. Voir "Distributeur d'eau".

- Prévoir un délai de 24 heures pour la production du premier lot de glaçons. Jeter les trois premiers lots de glaçons produits. Prévoir un délai de 2 ou 3 jours pour le remplissage complet du bac d'entreposage à glaçons après l'installation.

- La qualité des glaçons dépend de la qualité de l'eau fournie à la machine à glaçons. Éviter de brancher la machine à glaçons à un approvisionnement d'eau adoucie. Les produits chimiques adoucisseurs d'eau (tels que le sel) peuvent endommager certaines pièces de la machine à glaçons et entraîner une mauvaise qualité de glaçons. Si une alimentation d'eau adoucie ne peut être évitée, s'assurer que l'adoucisseur d'eau fonctionne bien et qu'il est bien entretenu.
- Si la glace du bac d'entreposage est agglomérée, la casser à l'aide d'un ustensile en plastique et la jeter. Ne pas utiliser un objet pointu pour briser les glaçons qui se seraient agglomérés dans le bac d'entreposage. Ceci peut endommager le bac d'entreposage et le mécanisme du distributeur.
- Ne rien conserver à l'intérieur du bac à glaçons.

Taux de production des glaçons

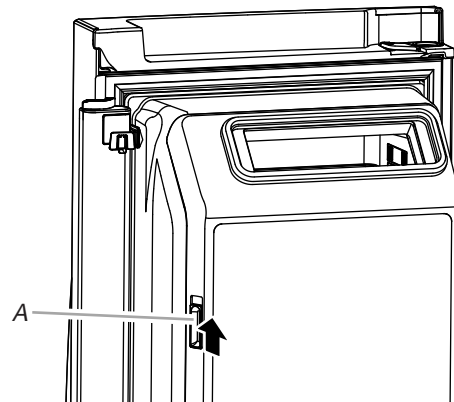
- La machine à glaçons devrait produire 3 lb (1,4 kg) de glaçons environ par jour dans des conditions de fonctionnement normales.
- Pour augmenter la production de glaçons, sélectionner la caractéristique d'augmentation de production de glaçons à partir du menu Options sur l'écran de commande. Voir "Utilisation des commandes".

Machine à glaçons

La machine à glaçons se trouve sur le côté gauche du plafond du compartiment de réfrigération. Les glaçons sont éjectés dans le bac d'entreposage à glaçons situé sur la porte de gauche du réfrigérateur.

Mise en marche/arrêt de la machine à glaçons

1. Pousser le loquet sur le côté gauche du compartiment à glaçons pour ouvrir la porte.



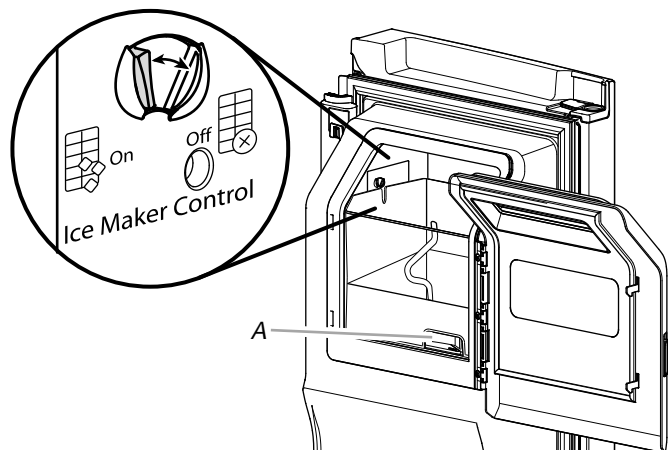
A. Loquet de porte du compartiment à glaçons

2. Mettre en marche la machine à glaçons en plaçant le commutateur à la position ON (marche) (vers la gauche).

REMARQUES :

- Pour arrêter la machine à glaçons manuellement, placer la commande à la position OFF (arrêt) (à droite).

- Votre machine à glaçons comporte un système d'arrêt automatique. Le détecteur arrête automatiquement la production de glaçons si le bac d'entreposage est plein, si la porte est ouverte ou si l'on retire le bac d'entreposage à glaçons. La commande restera en position ON (marche) (vers la gauche).



A. Loquet de déverrouillage du bac d'entreposage à glaçons

3. Fermer la porte du compartiment à glaçons.

Retrait et réinstallation du bac d'entreposage à glaçons

- Retirer le bac d'entreposage à glaçons en insérant les doigts dans le trou situé à la base du bac et serrer le loquet pour libérer le bac du compartiment. Soulever le bac d'entreposage à glaçons et le dégager en ligne droite.
- Réinstaller le bac d'entreposage dans le compartiment à glaçons et appuyer dessus pour s'assurer qu'il est bien en place.

ENTRETIEN DU RÉFRIGÉRATEUR

Nettoyage

AVERTISSEMENT



Risque d'explosion

Utiliser un produit de nettoyage ininflammable.

Le non-respect de cette instruction peut causer un décès, une explosion ou un incendie.

Les sections de réfrigération et de congélation se dégivrent automatiquement. Toutefois, nettoyer les deux compartiments environ une fois par mois afin d'éviter une accumulation d'odeurs. Essuyer les renversements immédiatement.

Nettoyage des surfaces externes

Consulter les instructions de nettoyage extérieur relatives à votre modèle.

Style 1 - Porte lisse

IMPORTANT : Les dommages au revêtement lisse en raison d'un mauvais usage des produits nettoyants ou de l'utilisation de produits nettoyants non recommandés, ne sont pas couverts par la garantie. Des instruments aiguisés ou coupants dépareront le revêtement.

UTILISER	NE PAS UTILISER
✓ Chiffon doux et propre	✗ Chiffons abrasifs
	✗ Essuie-tout ou papier journal
	✗ Tampons de laine d'acier
✓ Eau tiède et savonneuse - utiliser un détergent doux	✗ Poudres ou liquides abrasifs
	✗ Nettoyants à vitre en vaporisateur
	✗ Ammoniaque
	✗ Nettoyants acides ou à base de vinaigre
	✗ Produits nettoyants pour four
	✗ Fluides inflammables

REMARQUE : Les essuie-tout peuvent érafler et ternir le revêtement transparent de la porte peinte. Afin d'éviter tout dommage éventuel, utiliser des chiffons en tissu doux pour polir et essuyer la porte.

Style 2 - Acier inoxydable

IMPORTANT :

- Les dommages au revêtement en acier inoxydable en raison d'un mauvais usage des produits nettoyants ou de l'utilisation de produits nettoyants non recommandés, ne sont pas couverts par la garantie.

UTILISER	NE PAS UTILISER
✓ Chiffon doux et propre	✗ Chiffons abrasifs
	✗ Essuie-tout ou papier journal
	✗ Tampons de laine d'acier
✓ Eau tiède savonneuse	✗ Poudres ou liquides abrasifs
	✗ Ammoniaque
	✗ Nettoyants à base d'agrumes
	✗ Nettoyants acides ou à base de vinaigre
	✗ Produits nettoyants pour four
✓ Pour les saletés importantes, UNIQUEMENT un nettoyant pour acier inoxydable conçu pour les appareils concernés. Pour commander le nettoyant, voir "Accessoires".	✗ Le nettoyant pour acier inoxydable doit être utilisé sur les pièces en acier inoxydable uniquement! Veiller à ce que le nettoyant et poli pour acier inoxydable n'entre pas en contact avec les pièces de plastique telles que garnitures, couvercles de distributeurs ou joints de porte.

REMARQUES :

- En cas de contact non intentionnel, nettoyer la pièce de plastique avec une éponge et un détergent doux dans de l'eau tiède. Sécher parfaitement avec un linge doux.

- Un nettoyant sous forme liquide ne signifie pas forcément qu'il n'est pas abrasif. Beaucoup de nettoyants liquides formulés pour nettoyer le carrelage et autres surfaces lisses en douceur peuvent tout de même endommager l'acier inoxydable.
- L'acide citrique décolore l'acier inoxydable de façon définitive. Afin d'éviter d'endommager le fini en acier inoxydable du réfrigérateur :

Ne pas laisser les produits suivants pendant une durée prolongée sur le revêtement

- | | |
|------------------|-----------------------------|
| ✗ Moutarde | ✗ Sauces à base d'agrumes |
| ✗ Jus de tomate | ✗ Produits à base d'agrumes |
| ✗ Sauce marinara | |

Nettoyage de l'intérieur

1. Débrancher le réfrigérateur ou déconnecter la source de courant électrique.
2. Laver, rincer et sécher à la main les pièces amovibles et les surfaces internes soigneusement. Utiliser une éponge propre ou un linge doux et un détergent doux dans de l'eau tiède.

REMARQUE : Ne pas utiliser de nettoyants puissants ou abrasifs tels que les nettoyants à vitre en atomiseurs, nettoyants à récurer, liquides inflammables, cires nettoyantes, détergents concentrés, agents de blanchiment ou nettoyants contenant du pétrole sur les pièces en plastique, les garnitures intérieures et garnitures de portes ou sur les joints de portes.

3. Brancher le réfrigérateur ou reconnecter la source de courant électrique.

Nettoyage du condensateur

Le condensateur n'a pas besoin d'être nettoyé souvent dans des conditions de fonctionnement domestique normales. Si l'environnement est particulièrement gras, poussiéreux, ou s'il y a des animaux domestiques dans la maison, le condensateur devrait être nettoyé tous les 2 ou 3 mois pour assurer une efficacité maximale.

Si l'on doit nettoyer le condensateur :

1. Débrancher le réfrigérateur ou déconnecter la source de courant électrique.
2. Retirer la grille de la base.
3. Utiliser un aspirateur à brosse douce pour nettoyer la grille, les endroits ouverts derrière la grille et la surface à l'avant du condensateur.
4. Replacer la grille de la base une fois terminé.
5. Brancher le réfrigérateur ou reconnecter la source de courant électrique.

Lampes

Les lampes du réfrigérateur et du congélateur sont des DEL qui n'ont pas besoin d'être changées. Si les lampes ne s'allument pas lorsque les portes ou le tiroir sont ouverts, téléphoner pour obtenir assistance ou service. Aux É.-U., composer le **1-800-253-1301**. Au Canada, composer le **1-800-807-6777**.

Entretien avant les vacances ou lors d'un déménagement

Vacances

Si l'utilisateur choisit de laisser le réfrigérateur en fonctionnement pendant son absence :

1. Consommer tous les aliments périssables et congeler les autres.
2. Si le réfrigérateur comporte une machine à glaçons automatique et qu'il est raccordé à la source d'approvisionnement en eau du domicile, fermer la source d'approvisionnement en eau du réfrigérateur. Des dommages matériels peuvent survenir si l'alimentation en eau n'est pas coupée.
3. Si la machine à glaçons est automatique, éteindre la machine à glaçons.

REMARQUE : Selon le modèle, soulever le bras de commande métallique à la position OFF (arrêt) (position élevée), ou placer le commutateur sur OFF.

4. Vider le bac à glaçons.

Si l'utilisateur choisit d'arrêter le fonctionnement du réfrigérateur avant son départ :

1. Enlever tous les aliments du réfrigérateur.
2. Si le réfrigérateur a une machine à glaçons automatique :
 - Fermer l'approvisionnement d'eau de la machine à glaçons au moins une journée à l'avance.
 - Selon le modèle, lorsque la dernière quantité de glaçons est déposée, soulever le bras de commande en broche à la position OFF (élevée) ou appuyer sur le commutateur à la position OFF (arrêt), selon le modèle.
3. Éteindre la/les commande(s) de température. Voir "Utilisation de la/des commande(s)".
4. Nettoyer le réfrigérateur, l'essuyer et bien le sécher.
5. À l'aide d'un ruban adhésif, placer des blocs de caoutchouc ou de bois dans la partie supérieure de chaque porte de façon à ce qu'elles soient suffisamment ouvertes pour permettre l'entrée d'air à l'intérieur, afin d'éviter l'accumulation d'odeurs ou de moisissure.

Déménagement

Lorsque l'on déménage le réfrigérateur dans une nouvelle habitation, suivre ces étapes pour préparer le déménagement.

1. Si le réfrigérateur a une machine à glaçons automatique :
 - Fermer l'approvisionnement d'eau de la machine à glaçons au moins une journée à l'avance.
 - Débrancher la canalisation d'eau de l'arrière du réfrigérateur.
 - Selon le modèle, lorsque la dernière quantité de glaçons est déposée, soulever le bras de commande en broche à la position OFF (élevée) ou appuyer sur le commutateur à la position OFF (arrêt).
2. Retirer tous les aliments du réfrigérateur et placer tous les aliments congelés dans de la neige carbonique.
3. Vider le bac à glaçons.
4. Éteindre la/les commande(s) de température. Voir "Utilisation de la/des commande(s)".
5. Débrancher le réfrigérateur.
6. Nettoyer, essuyer et sécher à fond.
7. Retirer toutes les pièces amovibles, bien les envelopper et les attacher ensemble à l'aide de ruban adhésif pour qu'elles ne bougent pas ni ne s'entrechoquent durant le déménagement.

8. Selon le modèle, soulever le devant du réfrigérateur pour qu'il roule plus facilement OU soulever les vis de nivellement pour qu'elles n'égratignent pas le plancher. Voir "Ajustement de la/ des porte(s)".
9. Fermer les portes à l'aide de ruban adhésif et fixer le cordon d'alimentation électrique au dos du réfrigérateur à l'aide de ruban adhésif.

Lorsque vous arriverez à votre nouvelle habitation, remettez tout en place et consulter la section "Instructions d'installation" pour les instructions de préparation. D'autre part, si votre réfrigérateur a une machine à glaçons automatique, rappelez-vous de raccorder l'approvisionnement d'eau au réfrigérateur.

RÉSOLUTION DE PROBLÈMES

Essayer d'abord les solutions suggérées ici ou visiter notre site Internet et la FAQ (foire aux questions) pour éviter le coût d'une intervention de dépannage.
 Aux É.-U., www.whirlpool.com Au Canada, www.whirlpool.ca

⚠ AVERTISSEMENT



Risque de choc électrique

Brancher sur une prise à 3 alvéoles reliée à la terre.

Ne pas enlever la broche de liaison à la terre.

Ne pas utiliser un adaptateur.

Ne pas utiliser un câble de rallonge.

Le non-respect de ces instructions peut causer un décès, un incendie ou un choc électrique.

UTILISATION GÉNÉRALE

Causes possibles et/ou solutions recommandées

Le réfrigérateur ne fonctionne pas

- **Non raccordé à une alimentation électrique** - Brancher le cordon d'alimentation dans une prise à 3 alvéoles reliée à la terre. Ne pas utiliser de cordon de rallonge.
- **Pas de courant dans la prise électrique** - Brancher une lampe pour voir si la prise électrique fonctionne.
- **Un fusible est grillé ou un disjoncteur s'est ouvert** - Remplacer le fusible ou réenclencher le disjoncteur. Si le problème persiste, contacter un électricien agréé.
- **La commande ou le refroidissement n'est pas activé(e)** - Activer la commande du réfrigérateur ou le refroidissement. Voir "Utilisation des commandes".
- **Nouvelle installation** - Attendre 24 heures après l'installation pour permettre au réfrigérateur et au congélateur de refroidir complètement.
REMARQUE : Le fait de placer la/les commande(s) de température au réglage le plus froid ne refroidira pas le compartiment (de réfrigération ou de congélation) plus rapidement.
- **La commande du réfrigérateur est au mode Showroom (exposition) (selon les modèles)** - Si le réfrigérateur est au mode Showroom (exposition), le refroidissement est désactivé et "Showroom" s'illumine sur le tableau de commande. Voir "Utilisation de la/des commande(s)" pour plus de renseignements.

Le moteur semble fonctionner excessivement

- **Votre nouveau réfrigérateur comporte un moteur haute efficacité** - Il est possible qu'il fonctionne plus longtemps que votre appareil précédent car le compresseur et les ventilateurs fonctionnent à des vitesses réduites plus éconergiques. Ceci est normal.
REMARQUE : L'appareil peut fonctionner encore plus longtemps si la température de la pièce est élevée, si une grande quantité de nourriture a été ajoutée, si les portes sont fréquemment ouvertes ou si elles ont été laissées ouvertes.

UTILISATION GÉNÉRALE Causes possibles et/ou solutions recommandées

Les lampes ne fonctionnent pas

- **Le réfrigérateur est équipé d'un éclairage à DEL qui ne peut être remplacé** - Si le réfrigérateur est sous tension et que les lampes ne s'allument pas quand une porte ou un tiroir est ouvert(e), faire un appel pour demander de l'aide ou un dépannage. Voir la page de couverture ou la garantie pour savoir qui contacter.
- **La lampe du distributeur est éteinte** - Sur certains modèles, la lampe du distributeur ne fonctionne que si l'on appuie sur la plaque du distributeur. Si l'on souhaite que la lampe du distributeur reste allumée continuellement, sélectionner un autre réglage. Voir "Distributeurs d'eau et de glaçons".
- **Les portes sont restées ouvertes plus de 10 minutes** - Fermer les portes et tiroirs pour réactiver l'éclairage, et les ouvrir pour reprendre la tâche que l'on avait entreprise avec la lumière.

La commande du tiroir externe n'est pas illuminée/ ne répond pas

- **Le réfrigérateur est au mode Cooling Off (refroidissement désactivé)** - Sortir du mode Cooling Off (refroidissement désactivé). Voir "Utilisation de la/des commande(s)".
- **Le processus de réinitialisation des commandes ne s'est pas achevé avec succès** - Débrancher le réfrigérateur, attendre 5 secondes. Rebrancher le réfrigérateur, et attendre 30 secondes avant d'ouvrir les portes ou les tiroirs, ou de toucher le panneau de commande.
- **Le devant du tiroir a été récemment retiré** - S'assurer que les câbles de la commande de température ont été correctement reconnectés. Voir "Retrait et réinstallation de l'avant des tiroirs".

Le réfrigérateur semble bruyant

Le compresseur de votre nouveau réfrigérateur régule la température plus efficacement et utilise moins d'énergie que les modèles plus anciens. Au cours de différentes étapes du fonctionnement de l'appareil, vous entendrez peut-être des bruits de fonctionnement normaux qui ne vous sont pas familiers.

Les bruits suivants sont normaux :


- **Bourdonnement/Cliquetis** - Se produit lorsque le robinet d'eau s'ouvre et se referme pour distribuer de l'eau ou remplir la machine à glaçons. Si le réfrigérateur est raccordé à une canalisation d'arrivée d'eau, cela est normal. Éteindre la machine à glaçons si le réfrigérateur n'est pas raccordé à une canalisation d'arrivée d'eau.
- **Craquement/Écrasement** - Se produit lorsque la glace est éjectée du moule à glaçons.
- **Cliquetis répété** - L'évaporateur double régule le refroidissement.
- **Bruit d'éclatement** - Se produit lors de la contraction/l'expansion des parois internes, particulièrement lors du refroidissement initial.
- **Pulsation/Frottement rythmique** - Se produit lorsque les ventilateurs/le compresseur s'ajustent pour optimiser la performance de l'appareil pendant son fonctionnement - cela est normal.
- **Vibrations sonores** - Se produit lorsque l'eau circule dans la canalisation d'arrivée d'eau ou lorsque le réfrigérant circule dans l'appareil. Les vibrations peuvent aussi provenir d'objets posés sur le réfrigérateur.
- **Bruit d'écoulement d'eau ou de gargouillement** - Se produit lorsque la glace fond lors du programme de dégivrage et que l'eau s'écoule dans le plateau de dégivrage.
- **Grésillement** - Se produit à mesure que de l'eau goutte sur l'élément de chauffage durant le programme de dégivrage.
- **Vibrations** - Le réfrigérateur n'est peut-être pas stable. Régler les vis de nivellement et abaisser le pied de nivellement jusqu'à ce qu'il repose fermement sur le sol. Voir "Mise à niveau du réfrigérateur, fermeture et alignement des portes".

La température est trop élevée

- **Nouvelle installation** - Attendre 24 heures après l'installation pour permettre au réfrigérateur et au congélateur de refroidir complètement.
REMARQUE : Le fait de placer la/les commande(s) de température au réglage le plus froid ne refroidira pas le compartiment (de réfrigération ou de congélation) plus rapidement.
- **Le refroidissement est désactivé** - Activer le refroidissement. Voir "Utilisation de la/des commande(s)".
- **Les portes sont ouvertes trop fréquemment ou ne sont pas complètement fermées** - Ceci permet à l'air chaud de pénétrer dans le réfrigérateur. Minimiser les ouvertures de porte, garder les portes complètement fermées et s'assurer que l'étanchéité des deux portes est assurée.
- **Les ouvertures d'aération sont obstruées** - Retirer les objets placés devant les ouvertures.
- **Une grande quantité d'aliments chauds a été récemment ajoutée** - Attendre quelques heures pour permettre au réfrigérateur de revenir à une température normale.
- **Le réglage des commandes n'est pas adapté à l'environnement de l'appareil** - Ajuster les commandes à un réglage plus froid. Contrôler à nouveau la température 24 heures plus tard.

UTILISATION GÉNÉRALE	Causes possibles et/ou solutions recommandées
La température est trop basse	<ul style="list-style-type: none"> ■ Le réglage des commandes n'est pas adapté à l'environnement de l'appareil - Ajuster les commandes à un réglage plus chaud. Contrôler à nouveau la température 24 heures plus tard. ■ Le bac d'entreposage des glaçons n'est pas à la position correcte - Voir "Machine à glaçons et bac d'entreposage des glaçons". ■ Les ouvertures d'aération sont obstruées - Retirer les objets placés devant les ouvertures.
Température trop chaude/ trop froide dans le tiroir externe	<ul style="list-style-type: none"> ■ La commande n'est pas réglée correctement pour les articles conservés dans le tiroir - Ajuster le réglage de température. Voir "Tiroir externe à température contrôlée".
Accumulation d'humidité à l'intérieur de l'appareil	<p>REMARQUE : Une certaine accumulation d'humidité est normale. Nettoyer avec un linge doux et sec.</p> <ul style="list-style-type: none"> ■ La pièce est humide - Un environnement humide contribue à l'accumulation d'humidité. Utiliser le réfrigérateur à l'intérieur du domicile uniquement, dans un environnement aussi sec que possible. ■ Les portes sont fréquemment ouvertes ou ne sont pas complètement fermées - Ceci permet à l'air humide de pénétrer dans le réfrigérateur. Minimiser les ouvertures de porte, garder les portes complètement fermées et s'assurer que l'étanchéité des deux portes est assurée.
Accumulation de givre/ glace dans le compartiment de congélation	<ul style="list-style-type: none"> ■ Le tiroir est ouvert souvent ou est laissé ouvert - Minimiser les ouvertures du tiroir et fermer complètement le tiroir après utilisation. ■ Fermeture du tiroir non hermétique - S'assurer que le joint du tiroir est parfaitement en contact avec la caisse pour permettre une fermeture hermétique. ■ La/les commande(s) de température n'est/ne sont pas réglée(s) correctement - Voir "Utilisation de la/des commande(s)" pour connaître les réglages de température recommandés.

⚠ AVERTISSEMENT



Risque d'explosion

Utiliser un produit de nettoyage ininflammable.
Le non-respect de cette instruction peut causer un décès, une explosion ou un incendie.

PORTES ET NIVELLEMENT	Causes possibles et/ou solutions recommandées
Les portes sont difficiles à ouvrir	<ul style="list-style-type: none"> ■ Les joints sont sales ou collants - Nettoyer les joints et les surfaces de contact au savon doux et à l'eau tiède. Rincer et sécher avec un linge doux.
Les portes ne ferment pas complètement	<ul style="list-style-type: none"> ■ La porte est bloquée en position ouverte - Déplacer les aliments sous emballage pour dégager la porte. S'assurer que tous les balconnets et tablettes sont correctement installés. Vérifier que tous les matériaux d'emballage ont été retirés.
Les portes semblent mal alignées	<ul style="list-style-type: none"> ■ L'alignement des portes ou le nivellement du réfrigérateur doit être réalisé - Voir les instructions concernant le nivellement de l'appareil et l'alignement des portes.
Le réfrigérateur n'est pas stable ou roule vers l'avant quand on ferme ou ouvre les portes ou tiroirs	<ul style="list-style-type: none"> ■ Les pieds de stabilisation ne reposent pas fermement sur le plancher - Retirer la grille de base. Tourner chacun des pieds de stabilisation (un de chaque côté) du même nombre de tours dans le sens horaire, jusqu'à ce qu'il repose fermement sur le plancher. Voir "Mise à niveau du réfrigérateur, fermeture et alignement des portes".

⚠ AVERTISSEMENT

<p>Risque de coupure</p> <p>Utiliser un verre robuste pour prendre des glaçons.</p> <p>Le non-respect de cette instruction peut causer des coupures.</p>

GLAÇONS ET EAU

Causes possibles et/ou solutions recommandées

La machine à glaçons ne produit pas ou produit trop peu de glaçons, ou les glaçons produits sont petits/creux

- **Le réfrigérateur n'est pas raccordé à une alimentation en eau ou le robinet d'arrêt d'eau n'est pas complètement ouvert** - Raccorder le réfrigérateur à une alimentation en eau et s'assurer que le robinet d'arrêt est complètement ouvert.
- **La canalisation d'alimentation en eau est déformée** - Une déformation de la canalisation d'alimentation en eau peut réduire le débit de l'eau, réduire la vitesse de production des glaçons, entraîner la production de glaçons de petite taille et/ou creux, ou encore de forme irrégulière. Redresser la canalisation d'eau.
- **La machine à glaçons n'est pas allumée** - Mettre en marche la machine à glaçons. Voir "Machine à glaçons et bac d'entreposage".
- **Nouvelle installation** - Après avoir raccordé le réfrigérateur à une source d'alimentation en eau, vidanger le système d'eau. (Voir "Distributeurs d'eau et de glaçons".) Attendre 24 heures pour que la production de glaçons commence. Attendre 72 heures pour que la production de glaçons soit complète. Jeter les trois premiers lots de glaçons produits.
- **La porte du réfrigérateur n'est pas complètement fermée** - Bien fermer la porte. Si elle ne ferme pas complètement, voir "Les portes ne ferment pas complètement".
- **Un filtre à eau est installé sur le réfrigérateur** - Retirer le filtre à eau et faire fonctionner la machine à glaçons. Si le volume de glaçons augmente, alors le filtre est peut-être obstrué ou mal installé. Remplacer le filtre ou l'installer correctement.
- **Une grande quantité de glaçons a été récemment prélevée** - Accorder suffisamment de temps à la machine à glaçons pour produire plus de glaçons.
- **Un glaçon est coincé dans le bras éjecteur de la machine à glaçons** - Retirer le glaçon du bras éjecteur avec un ustensile en plastique.
- **Pression en eau inadéquate** - Vérifier que la pression en eau du domicile est adéquate. Voir "Spécifications de l'alimentation en eau".
- **Le filtre à eau est mal installé** - S'assurer que le filtre est correctement installé. Voir "Système de filtration de l'eau".
- **Un système de filtration de l'eau par osmose inverse est raccordé à votre alimentation en eau froide** - Ceci peut réduire la pression de l'eau. Voir "Spécifications de l'alimentation en eau".

REMARQUE : Pour d'autres questions concernant la pression de l'eau, contacter un plombier agréé qualifié.

GLAÇONS ET EAU**Causes possibles et/ou solutions recommandées**

Le distributeur de glaçons ne fonctionne pas correctement

- **Nouvelle installation** - Après avoir raccordé le réfrigérateur à une source d'alimentation en eau, vidanger le système d'eau. (Voir "Distributeurs d'eau et de glaçons".) Attendre 24 heures pour que la production de glaçons commence. Attendre 72 heures pour que la production de glaçons soit complète. Jeter les trois premiers lots de glaçons produits.
- **La machine à glaçons n'est pas allumée ou le bac à glaçons n'est pas bien installé** - Mettre en marche la machine à glaçons et s'assurer que le bac d'entreposage à glaçons est fermement en place. Voir "Machine à glaçons et bac d'entreposage".
- **Des glaçons obstruent le bac d'entreposage à glaçons ou sont agglomérés à l'intérieur, ou ils obstruent la goulotte de distribution de glaçons** - Retirer ou séparer les glaçons agglomérés à l'aide d'un ustensile en plastique si nécessaire. Nettoyer la goulotte de distribution des glaçons et le fond du bac d'entreposage à glaçons à l'aide d'un chiffon tiède et humide puis sécher soigneusement ces deux sections. Pour éviter toute obstruction et maintenir un approvisionnement frais en glaçons, vider le bac d'entreposage à glaçons et nettoyer à la fois le bac d'entreposage et la goulotte de distribution toutes les 2 semaines.
- **Le distributeur est verrouillé** - Déverrouiller le distributeur. Voir "Distributeurs d'eau et de glaçons".
- **Le distributeur à glaçons s'est bloqué pendant qu'il distribuait de la glace concassée** - Pour les modèles comprenant un bac d'entreposage à glaçons dans la porte, pour éliminer l'obstruction, passer temporairement de la glace concassée au mode glaçons.
- **On a appuyé sur la plaque/le levier du distributeur pendant trop longtemps** - Les glaçons cessent automatiquement d'être distribués. Attendre quelques minutes pour que le distributeur soit réinitialisé et reprenne ensuite la distribution. Prendre de grandes quantités de glaçons directement du bac d'entreposage à glaçons et non depuis le distributeur.
- **La pression en eau du domicile est inférieure à 35 lb/po² (241 kPa)** - La pression de l'eau du domicile affecte le débit au niveau du distributeur. Voir "Spécifications de l'alimentation en eau".
- **Le filtre à eau est obstrué ou mal installé** - Remplacer le filtre ou le réinstaller correctement. Voir "Système de filtration de l'eau".

Mauvais goût, odeur ou couleur grisâtre des glaçons ou de l'eau

- **Raccords de plomberie neufs** - Des raccords de plomberie neufs peuvent entraîner une décoloration ou un mauvais goût des glaçons ou de l'eau. Ce problème devrait disparaître avec le temps.
- **Les glaçons ont été entreposés pendant trop longtemps** - Jeter les glaçons et laver le bac à glaçons. Accorder 24 heures à la machine à glaçons pour la fabrication de nouveaux glaçons.
- **L'odeur de certains aliments s'est transférée à l'eau ou aux glaçons** - Utiliser des emballages hermétiques et à l'épreuve de l'humidité pour conserver les aliments.
- **Utilisation d'une canalisation d'alimentation en eau non recommandée** - L'odeur et le goût de certains matériaux utilisés dans des canalisations d'alimentation en eau non recommandées peuvent se transférer aux aliments. Utiliser uniquement une canalisation d'alimentation en eau recommandée. Voir "Spécifications de l'alimentation en eau".
- **L'eau contient des minéraux (tels le soufre)** - L'installation d'un filtre à eau peut être requise afin d'enlever ces minéraux.
- **Le filtre à eau a été récemment installé ou remplacé** - Une décoloration grise ou foncée de la glace ou de l'eau indique que le système de filtration de l'eau nécessite un rinçage supplémentaire. Voir "Distributeurs d'eau et de glaçons".

GLAÇONS ET EAU

Causes possibles et/ou solutions recommandées

Le distributeur d'eau ne fonctionne pas correctement

- **Les portes ne ferment pas complètement** - S'assurer que les deux portes sont bien fermées. (Sur certains modèles, seule la porte du congélateur doit être fermée pour pouvoir utiliser le distributeur.)
- **Le réfrigérateur n'est pas raccordé à une alimentation en eau ou le robinet d'arrêt d'eau n'est pas ouvert** - Raccorder le réfrigérateur à une alimentation en eau et s'assurer que le robinet d'arrêt est complètement ouvert.
- **La canalisation d'alimentation en eau est déformée** - Une déformation de la canalisation d'alimentation en eau peut réduire le débit du distributeur. Redresser la canalisation d'eau.
- **La pression en eau du domicile est inférieure à 30 lb/po² (207 kPa)** - La pression de l'eau du domicile affecte le débit au niveau du distributeur. Voir "Spécifications de l'alimentation en eau".
- **Nouvelle installation** - Après avoir raccordé le réfrigérateur à une source d'alimentation en eau, vidanger le système d'eau. Voir "Distributeurs d'eau et de glaçons".
- La caractéristique de remplissage du distributeur d'eau ne distribue pas une quantité précise d'eau - Calibrer le distributeur d'eau. Voir "Distributeur d'eau et de glaçons".
- **Le distributeur est verrouillé** - Déverrouiller le distributeur. Voir "Distributeurs d'eau et de glaçons".
- **Le filtre à eau est obstrué ou mal installé** - Remplacer le filtre ou le réinstaller correctement. Voir "Système de filtration de l'eau".
- **Un système de filtration de l'eau par osmose inverse est raccordé à votre alimentation en eau froide** - Ceci peut réduire la pression de l'eau. Voir "Spécifications de l'alimentation en eau".

REMARQUE : Pour d'autres questions concernant la pression de l'eau, contacter un plombier agréé qualifié.

De l'eau suinte ou goutte du distributeur

REMARQUE : Il est normal que quelques gouttes s'écoulent de la machine après que l'on a distribué de l'eau.

- **On n'a pas gardé le verre sous le distributeur pendant suffisamment longtemps** - Maintenir le verre sous le distributeur pendant 2 à 3 secondes après avoir relâché le levier/la plaque du distributeur.
 - **L'installation est neuve, le filtre à eau a été récemment installé ou changé** - De l'air piégé dans les canalisations peut faire goutter le distributeur d'eau. Rincer le système de distribution d'eau pour évacuer l'air des canalisations. Voir "Distributeurs d'eau et de glaçons".
 - **De la glace restée dans la goulotte du distributeur fond** - S'assurer qu'il n'y a aucun copeau ou morceau de glace dans la goulotte à glaçons.
-

De l'eau fuit par l'arrière du réfrigérateur

- **Les raccords des canalisations d'eau ne sont pas bien serrés** - S'assurer que tous les raccords sont bien serrés. Voir "Raccordement de la canalisation d'eau".
-

L'eau du distributeur n'est pas assez froide (sur certains modèles)

REMARQUE : L'eau du distributeur est refroidie à 50°F (10°C).

- **Nouvelle installation** - Attendre 24 heures après l'installation pour que l'alimentation en eau refroidisse complètement.
 - **Une grande quantité d'eau a été récemment versée** - Attendre 24 heures pour qu'une nouvelle réserve d'eau refroidisse complètement.
 - **On n'a pas versé d'eau récemment** - Le premier verre d'eau ne sera peut-être pas froid. Jeter le premier verre d'eau distribué.
 - **Le réfrigérateur n'est pas raccordé à une canalisation d'arrivée d'eau froide** - S'assurer que le réfrigérateur est raccordé à une canalisation d'arrivée d'eau froide. Voir "Spécifications de l'alimentation en eau".
-

FEUILLE DE DONNÉES SUR LA PERFORMANCE

Système de filtration d'eau Modèle P6WB2L/P6RFWB2 Capacité 200 gallons (757 litres) Modèle P6WB2NL/P6RFWB2 Capacité 200 gallons (757 litres)



Produit testé et certifié par NSF International en vertu de la norme NSF/ANSI 42 (réduction du goût et de l'odeur du chlore, et particules de classe I*) et en vertu de la norme NSF/ANSI 53 (réduction de kystes actifs, amiante, plomb, lindane, toxaphène, atrazine et 2,4 - D).

Ce produit a été testé selon les normes NSF/ANSI 42 et 53 pour la réduction des substances énumérées ci-dessous. La concentration des substances indiquées dans l'eau entrant dans le système a été réduite à une concentration moindre ou égale à la limite permmissible pour l'eau qui quitte le système, tel que spécifié dans les normes NSF/ANSI 42 et 53.

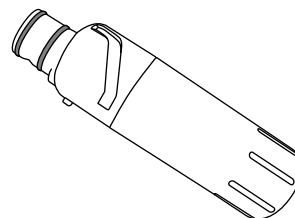
Réd. de substances Effets esthétiques	Critères de réduction NSF	Affluent moyen	Concentration dans l'eau à traiter	Effluent maximal	% de réd. minimale	% de réd. moyenne
Chlore goût/odeur Particules (classe I*)	réduction de 50 % réduction de 85 %	2,0 mg/L 7 300 000 #/mL	2,0 mg/L ± 10 % Au moins 10 000 particules/mL	0,20 mg/L 75 000 #/mL**	97 99	97,2 99,4
Réduction des contaminants	Critères de réduction NSF	Affluent moyen	Concentration dans l'eau à traiter	Effluent maximal	% de réd. minimale	% de réd. moyenne
Kystes actifs†	99,95 %	160 000/L	50 000/L min.	54/L†	99,97	99,99
Amiante	99 %	87 MFL	10 ⁷ à 10 ⁸ fibres/L††	0,17 MFL	99	99
Plomb : à pH 6,5 Plomb : à pH 8,5	0,010 mg/L 0,010 mg/L	0,160 mg/L 0,140 mg/L	0,15 mg/L ± 10 % 0,15 mg/L ± 10 %	0,001 mg/L 0,005 mg/L	99,4 98,6	99,4 98,6
Lindane	0,0002 mg/L	0,0019 mg/L	0,002 mg/L ± 10 %	0,00002 mg/L	98,9	99
Toxaphène	0,003 mg/L	0,014 mg/L	0,015 mg/L ± 10 %	0,001 mg/L	93	93
Atrazine	0,003 mg/L	0,0094 mg/L	0,009 mg/L ± 10 %	0,0005 mg/L	94,5	94,7
2,4 - D	0,07 mg/L	0,220 mg/L	0,210 mg/L ± 10 %	0,028 mg/L	87,5	96,1

Paramètres de test : pH = 7,5 ± 0,5 à moins d'indications contraires. Débit = 0,43 gpm (1,6 Lpm). Pression = 60 lb/po² (413,7 kPa). Temp. = 68°F à 71,6°F (20°C à 22°C). Capacité de service nominale = 200 gallons (757 litres).

- Il est important que les critères de fonctionnement, d'entretien et de remplacement du filtre soient respectés pour que le produit donne le rendement annoncé. Des dommages matériels peuvent survenir si toutes les instructions ne sont pas respectées.
- Utiliser la cartouche de remplacement P6RFWB2, pièce n° W10413645A. Prix au détail suggéré en 2013 de 39,99 \$US/49,99 \$CAN. Les prix sont sujets à modification sans préavis.
 - Style 1** – Lorsque Order Filter (commander filtre) s'illumine en jaune, commander un nouveau filtre. Lorsque Replace Filter (remplacer filtre) s'illumine en rouge, il est recommandé de remplacer le filtre.
 - Style 2** – Appuyer sur OPTIONS et sélectionner Filter Status (statut du filtre) pour vérifier le statut de votre filtre à eau. Lorsque le statut du filtre affiche 10 %, commander un nouveau filtre. Lorsque le statut du filtre affiche 0 %, il est recommandé de remplacer le filtre.
 - Style 3** – Appuyer sur FILTER STATUS (statut du filtre) pour vérifier le statut de votre filtre à eau. Lorsque le statut du filtre affiche 10 %, commander un nouveau filtre. Lorsque le statut du filtre affiche 0 %, il est recommandé de remplacer le filtre.
- Après avoir remplacé le filtre, vidanger le système d'eau. Voir "Distributeurs d'eau et de glaçons" ou "Distributeur d'eau" dans les instructions d'utilisation ou le guide d'utilisation.
- Ces contaminants ne sont pas nécessairement présents dans votre approvisionnement d'eau. Même si le test a été effectué dans des conditions de laboratoires standard, le rendement réel peut varier.
- Le produit doit être utilisé pour l'eau froide seulement.
- Le circuit d'eau doit être installé conformément aux lois et règlements locaux et à ceux de l'État concerné.
- Ne pas utiliser pour le filtrage d'une eau microbiologiquement polluée ou de qualité inconnue en l'absence d'un dispositif de désinfection adéquat avant ou après le système. Les systèmes certifiés pour la réduction de kystes peuvent être utilisés pour l'eau désinfectée qui peut contenir des kystes filtrables.
- Consulter la section "Garantie" (dans les instructions d'utilisation ou le guide d'utilisation) pour obtenir le nom, l'adresse et le numéro de téléphone du fabricant.
- Consulter la section "Garantie" (dans les instructions d'utilisation ou le guide d'utilisation) pour voir la garantie limitée du fabricant.

Directives d'application/ Paramètres d'approvisionnement en eau

Source d'eau	Collectivité ou puits
Pression de l'eau	30 - 120 lb/po ² (207 - 827 kPa)
Température de l'eau	33° - 100°F (0,6° - 37,8°C)
Débit nominal	0,43 gpm (1,6 L/min) à 60 lb/po ²



*Classe I - taille des particules : > 0,5 à <1 um

**Exigence de test : au moins 100 000 particules/mL (poussière de test fine AC).

†Cas de la filtration de kystes de *Cryptosporidium parvum*

††Fibres de longueur supérieure à 10 um

GARANTIE DE GROS APPAREIL MÉNAGER WHIRLPOOL CORPORATION

GARANTIE LIMITÉE

Pendant un an à compter de la date d'achat, lorsque ce gros appareil ménager est utilisé et entretenu conformément aux instructions jointes à ou fournies avec le produit, Whirlpool Corporation ou Whirlpool Canada LP (ci-après désignées "Whirlpool") paiera pour les pièces spécifiées par l'usine et la main-d'œuvre pour corriger les vices de matériaux ou de fabrication qui existaient déjà lorsque ce gros appareil ménager a été acheté. Le service doit être fourni par une compagnie de service désignée par Whirlpool. LE SEUL ET EXCLUSIF RECOURS DU CLIENT DANS LE CADRE DE LA PRÉSENTE GARANTIE LIMITÉE CONSISTE EN LA RÉPARATION PRÉVUE CI-DESSUS. Cette garantie limitée est valide uniquement aux États-Unis ou au Canada et s'applique exclusivement lorsque le gros appareil ménager est utilisé dans le pays où il a été acheté. Une preuve de la date d'achat d'origine est exigée pour obtenir un service dans le cadre de la présente garantie limitée.

ÉLÉMENTS EXCLUS DE LA GARANTIE

La présente garantie limitée ne couvre pas :

1. Les pièces de rechange ou la main-d'œuvre lorsque ce gros appareil ménager est utilisé à des fins autres que l'usage domestique unifamilial normal ou lorsque les instructions d'installation et/ou les instructions de l'opérateur ou de l'utilisateur fournies ne sont pas respectées.
2. Les visites de service pour rectifier l'installation du gros appareil ménager, montrer à l'utilisateur comment utiliser le gros appareil ménager, remplacer ou réparer des fusibles du domicile ou rectifier le câblage ou la plomberie du domicile.
3. Les visites de service pour réparer ou remplacer les ampoules électriques, les filtres à air ou les filtres à eau de l'appareil. Les pièces consommables ne sont pas couvertes par la garantie.
4. Les dommages imputables à : accident, modification, usage impropre ou abusif, incendie, inondation, actes de Dieu, installation fautive ou installation non conforme aux codes d'électricité ou de plomberie, ou l'utilisation de produits non approuvés par Whirlpool.
5. Les défauts d'apparence, notamment les éraflures, traces de choc, fissures ou tout autre dommage subi par le fini du gros appareil ménager, à moins que ces dommages ne résultent de vices de matériaux ou de fabrication et ne soient signalés à Whirlpool dans les 30 jours suivant la date d'achat.
6. Toute perte d'aliments ou de médicaments due à une défaillance du réfrigérateur ou du congélateur.
7. Le ramassage et la livraison. Ce gros appareil ménager est conçu pour être réparé à domicile.
8. Les réparations aux pièces ou systèmes résultant d'une modification non autorisée faite à l'appareil.
9. Les frais de déplacement et de transport pour le service du produit si votre gros appareil ménager est situé dans une région éloignée où un fournisseur de services d'entretien ou de réparation Whirlpool autorisé n'est pas disponible.
10. La dépose et la réinstallation de votre gros appareil ménager si celui-ci est installé dans un endroit inaccessible ou n'est pas installé conformément aux instructions d'installation fournies par Whirlpool.
11. Les pièces de rechange ou la main-d'œuvre pour les gros appareils ménagers dont les numéros de modèle/de série ont été enlevés, modifiés ou ne peuvent pas être facilement identifiés.
12. La décoloration ou l'oxydation des surfaces en acier inoxydable ou encore l'apparition de rouille sur ces surfaces.

Le coût d'une réparation ou d'un remplacement dans le cadre de ces circonstances exclues est à la charge du client.

CLAUSE D'EXONÉRATION DE RESPONSABILITÉ AU TITRE DES GARANTIES IMPLICITES

LES GARANTIES IMPLICITES, Y COMPRIS LES GARANTIES APPLICABLES DE QUALITÉ MARCHANDE OU D'APTITUDE À UN USAGE PARTICULIER, SONT LIMITÉES À UN AN OU À LA PLUS COURTE PÉRIODE AUTORISÉE PAR LA LOI. Certains États et provinces ne permettent pas de limitation sur la durée d'une garantie implicite de qualité marchande ou d'aptitude à un usage particulier, de sorte que la limitation ci-dessus peut ne pas être applicable dans votre cas. Cette garantie vous confère des droits juridiques spécifiques, et vous pouvez également jouir d'autres droits qui peuvent varier d'une juridiction à l'autre.

LIMITATION DES RECOURS; EXCLUSION DES DOMMAGES FORTUITS OU INDIRECTS

LE SEUL ET EXCLUSIF RECOURS DU CLIENT DANS LE CADRE DE LA PRÉSENTE GARANTIE LIMITÉE CONSISTE EN LA RÉPARATION PRÉVUE CI-DESSUS. WHIRLPOOL N'ASSUME AUCUNE RESPONSABILITÉ POUR LES DOMMAGES FORTUITS OU INDIRECTS. Certains États et certaines provinces ne permettent pas l'exclusion ou la limitation des dommages fortuits ou indirects, de sorte que ces limitations et exclusions peuvent ne pas être applicables dans votre cas. Cette garantie vous confère des droits juridiques spécifiques, et vous pouvez également jouir d'autres droits qui peuvent varier d'une juridiction à l'autre.

Si vous résidez à l'extérieur des 50 États des États-Unis et du Canada, contactez votre marchand Whirlpool autorisé pour déterminer si une autre garantie s'applique.

7/12

Pour des informations supplémentaires sur le produit, aux É.-U., visiter www.whirlpool.com.
Au Canada, visiter www.whirlpool.ca.

Si vous n'avez pas accès à Internet et que vous nécessitez une assistance pendant l'utilisation du produit ou que vous souhaitez prendre un rendez-vous, vous pouvez contacter Whirlpool au numéro ci-dessous.

Ayez votre numéro de modèle à disposition. Vous pouvez trouver vos numéros de modèle et de série sur la plaque située sur la paroi interne du compartiment de réfrigération.

Pour assistance ou service aux É.-U., composez le 1-800-253-1301. Au Canada, composez le 1-800-807-6777.

Si vous avez besoin de plus d'assistance, vous pouvez écrire à Whirlpool en soumettant toute question ou problème à l'adresse suivante :

Aux États-Unis :

Whirlpool Brand Home Appliances
Customer eXperience Center
553 Benson Road
Benton Harbor, MI 49022-2692

Au Canada :

Whirlpool Brand Home Appliances
Centre d'eXpérience à la clientèle
200 – 6750 Century Ave.
Mississauga, Ontario L5N 0B7

Dans votre correspondance, veuillez indiquer un numéro de téléphone où l'on peut vous joindre dans la journée.

Veuillez conserver toutes les instructions fournies ainsi que le numéro de modèle pour référence ultérieure.