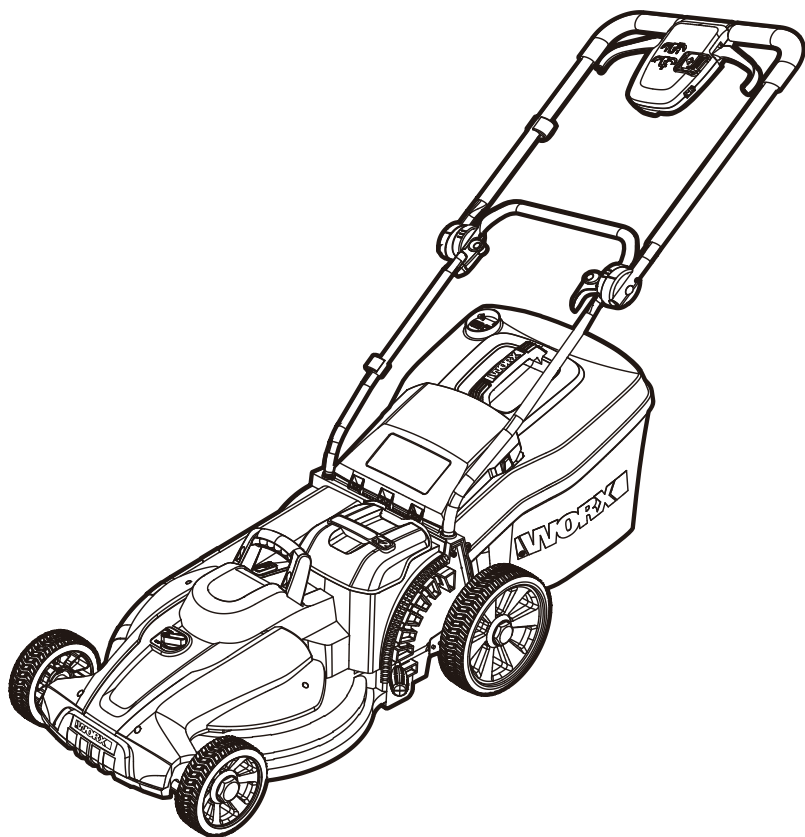


WORX®



40V MAX SHARE VOLT™

40V Cordless Lawn Mower

EN

P02

Tondeuse à gazon sans fil de 40V

F

P19

Podadora inalámbrica 40V

ES

P31



HELPLINE NUMBER
NUMÉRO DU SERVICE D'ASSISTANCE
NUMERO DE LÍNEA DE AYUDA
1-866-354-WORX (9679)

WG750 WG750.9



WARNING: Some dust created by power sanding, sawing, grinding, drilling and other construction activities contains chemicals known to the state of California to cause cancer, birth defects or other reproductive harm. Some examples of these chemicals are:

- Lead from lead-based paints;
- Crystalline silica from bricks and cement and other masonry products;
- Arsenic and chromium from chemically-treated lumber.

Your risk from these exposures varies, depending on how often you do this type of work. To reduce your exposure to these chemical: work in a well ventilated area, and work with approved safety equipment, such as those dust masks that are specially designed to filter out microscopic particles.



WARNING: This product can expose you to chemicals including lead, phthalate or bisphenol A which are known to the State of California to cause cancer, birth defects or other reproductive harm. Wash your hands after use. For more information go to www.P65Warnings.ca.gov.

READ ALL INSTRUCTIONS



WARNING: When using electric lawn mowers, basic safety precautions should always be followed to reduce the risk of fire, electric shock, and personal injury, including the following:



WARNING: Risk of injury could occur if the lawn mower is operated without the catcher assembly attached.



WARNING: The use of any other accessory or attachment might increase the risk of injury



CAUTION: For battery-operated lawn mowers, use only identical replacement batteries and specifying the battery type and manufacturer.

a) FOR ALL LAWN MOWERS

- 1) Avoid dangerous environment - Don't use lawn mowers in damp or wet locations.
- 2) Don't Use In Rain.
- 3) Keep children away - All visitors should be kept a safe distance from work area.
- 4) Dress properly - Do not wear loose clothing or jewelry. They can be caught in moving parts. Use of rubber gloves and footwear is recommended when working outdoors.
- 5) Use safety glasses - Always use face or dust mask if operation is dusty.
- 6) Use right appliance - Do not use lawn mower for any job except that for which it is intended.
- 7) Don't Force Lawn Mower - It will do the job better and safer at the rate for which it was designed.

- 8) Don't overreach - Keep proper footing and balance at all times.
- 9) Stay alert - Watch what you are doing. Use common sense. Do not operate lawn mower when you are tired.
- 10) Store Idle Lawn Mower Indoors - When not in use, lawn mower should be stored in an indoor dry and locked-up place - out of reach of children.
- 11) Maintain lawn mower with care - Keep cutting edges sharp and clean for best and safest performance. Follow instructions for lubricating and changing accessories. Keep handles dry, clean, and free from oil and grease.
- 12) Keep guards in place and in working order.
- 13) Keep blades sharp.
- 14) Keep hands and feet away from cutting area.
- 15) Objects struck by the lawn mower blade can cause severe injuries to persons. The lawn mower should always be carefully examined and cleared of all objects prior to each mowing.
- 16) If lawn mower strikes a foreign object, follow these steps:
 - i) Stop lawn mower. Release the switch.
 - ii) Remove battery pack.
 - iii) Inspect for damage.
 - iv) Repair any damage before restarting and operating the lawn mower.
- 17) Use identical replacement blades only.

SUPPLEMENT SA-BATTERY-OPERATED LAWN MOWERS

- a) Do not charge lawn mower in rain, or in wet locations.
- b) Do not use battery-operated lawn mower in rain.
- c) Remove or disconnect battery before servicing, cleaning, or removing material from the lawn mower.

FOR ALL BATTERY-OPERATED PRODUCTS EMPLOYING A DETACHABLE OR SEPARABLE BATTERY

- a) Use only the following type and size battery: WA3580
- b) Do not dispose of the battery in a fire. The cell may explode. Check with local codes for possible special disposal instructions.
- c) Do not open or mutilate the battery. Released electrolyte is corrosive and may cause damage to the eyes or skin. It may be toxic if swallowed.
- d) Exercise care in handling batteries in order not to short the battery with conducting materials such as rings, bracelets, and keys. The battery or conductor may overheat and cause burns.

GENERAL SAFETY WARNINGS FOR BATTERY PACK



WARNING: Read all safety warnings and instructions. Failure to follow the warnings and instructions may result in electric shock, fire and/or serious injury. Save all warnings and instructions for future reference.

- 1) WARNING:** Risk of fire and burns. Do not disassemble, heat above 100°C (212°F), or incinerate. Do not expose cells or batteries to heat or fire. Avoid storage in direct sunlight.
- 2) Dispose of used battery promptly.. When disposing of secondary cells or batteries, keep cells or batteries of different electrochemical systems separate from each other.**
- 3) Keep battery out of reach of children and in original package until ready to use.**
- 4) Never put batteries in mouth. If swallowed, contact your physician or local poison control center.**
- 5) CAUTION - The battery used in this device may present a risk of fire or chemical burn if mistreated. Replace battery with WORX WA3580 only. Use of another battery may present a risk of fire or explosion.**
- 6) Warning: Do not use a visibly damaged battery pack or appliance as applicable.**
- 7) Warning: Do not modify or attempt to repair the appliance or the battery pack as applicable.**
- 8) BATTERY MUST BE RECYCLED.**
- 9) Do not short-circuit a cell or battery. Do not store cells or batteries haphazardly in a box or drawer where they may short-circuit each other or be short-circuited by conductive materials.**
- 10) Do not subject cells or batteries to mechanical shock.**
- 11) Keep cells and batteries clean and dry. Wipe the cell or battery terminals with a clean dry cloth if they become dirty.**
- 12) Do not maintain secondary cells and batteries on charge when not in use.**
- 13) Retain the original cell and battery literature for future reference.**
- 14) Do not use any charger other than that specifically provided for use with the equipment.** Secondary cells and batteries need to be charged before use. Always use the correct charger and refer to the manufacturer's instructions or equipment manual for proper charging instructions.
- 15) When possible, remove the battery from the equipment when not in use.
- 16) Prevent unintentional starting. Ensure the switch is in the off-position before connecting to battery pack, picking up or carrying the

appliance. Carrying the appliance with your finger on the switch or energizing appliance that have the switch on invites accidents.

- 17) Disconnect the battery pack from the appliance before making any adjustments, changing accessories, or storing appliance. Such preventive safety measures reduce the risk of starting the appliance accidentally.
- 18) Under abusive conditions, liquid may be ejected from the battery; avoid contact. If contact accidentally occurs, flush with water. If liquid contacts eyes, additionally seek medical help. Liquid ejected from the battery may cause irritation or burns.
- 19) Have servicing performed by a qualified repair person using only identical replacement parts. This will ensure that the safety of the product is maintained.

Safety instructions for walk-behind mowers

IMPORTANT

Safe Practices for Walk-Behind Mowers

I. GENERAL OPERATION

1. Read, understand, and follow all instructions on the machine and in the manual(s) before starting.
2. Do not put hands or feet near or under the machine. Keep clear of the discharge opening at all times.
3. Only allow responsible adults, who are familiar with the instructions, to operate this machine.
4. Clear the area of objects such as rocks, wire, toys, etc., which could be thrown by the blade. Stay behind the handle when the motor is running.
5. Be sure the area is clear of bystanders before operating. Stop machine if anyone enters the area.
6. Do not operate machine barefooted or while wearing sandals. Always wear substantial footwear.
7. Do not pull machine backward unless absolutely necessary. Always look down and behind before and while moving backward.
8. Never direct discharged material toward anyone. Avoid discharging material against a wall or obstruction. Material may ricochet back toward the operator. Stop the blade when crossing gravel surfaces.
9. Do not operate machine without the entire grass catcher, discharge guard, rear guard, or other safety protective devices in place and working.
10. Never leave a running machine unattended.
11. Stop the motor and wait until the blade comes to a complete stop before cleaning the machine, removing grass catcher, or unclogging the discharge guard.
12. Operate machine only in daylight or good artificial light.

13. Do not operate machine while under the influence of alcohol or drugs.
14. Never operate mower in wet grass. Always be sure of your footing; walk; never run.
15. Disengage the drive system, if so equipped, before starting the motor.
16. If the machine should start to vibrate abnormally, stop the motor and check for the cause immediately. Vibration is generally a warning of trouble.
17. Always wear eye protection when operating machine.
18. See manufacturer's instructions for proper operation and installation of accessories. Only use accessories approved by the manufacturer.

II. SLOPE OPERATION

Slopes are a major factor related to slip and fall accidents, which can result in severe injury. Operation on all slopes requires extra caution. If you feel uneasy on a slope, do not mow it.

1. Mow across the face of slopes; never up and down. Exercise extreme caution when changing direction on slopes.
2. Watch for holes, ruts, bumps, rocks, or other hidden objects. Uneven terrain could cause a slip and fall accident. Tall grass can hide obstacles.
3. Do not mow on wet grass or excessively steep slopes. Poor footing could cause a slip and fall accident.
4. Do not mow near drop-offs, ditches, or embankments. You could lose your footing or balance.

4 III. CHILDREN

Tragic accidents can occur if the operator is not alert to the presence of children. Children are often attracted to the machine and the mowing activity. Never assume that children will remain where you last saw them.

1. Keep children out of the mowing area and under the watchful care of a responsible adult other than the operator.
2. Be alert and turn mower off if a child enters the area.
3. Never allow children to operate the machine.
4. Use extra care when approaching blind corners, shrubs, trees, or other objects that may block your view of a child.

IV. SERVICE

GENERAL SERVICE

1. Keep all nuts and bolts tight to be sure the equipment is in safe working condition.
2. Never tamper with safety devices. Check their proper operation regularly.
3. Keep machine free of grass, leaves, or other debris build-up.
4. If you strike a foreign object, stop and inspect the machine. Repair, if necessary, before starting.
5. Never make any adjustments or repairs with the motor running.
6. Always unplug electric mowers before

- adjusting, cleaning, or repairing.
7. Check grass catcher components and the discharge guard frequently and replace with manufacturer's recommended parts, when necessary.
8. Mower blades are sharp. Wrap the blade or wear gloves, and use extra caution when servicing them.
9. Maintain or replace safety and instruction labels, as necessary.

Safe operation practices for walk-behind mowers

1. Safety Instructions

1.1 Training

- a) Read the operating and service instruction manual carefully. Be thoroughly familiar with the controls and the proper use of the equipment.
- b) Never allow children to operate a power mower.
- c) Keep the area of operation clear of all persons, particularly small children, and pets.
- d) Do not use a mower for any job except that for which it is intended.

1.2 Preparation

- a) Thoroughly inspect the area where the equipment is to be used and remove all stones, sticks, wires, bones, and other foreign objects.
- b) Do not operate the equipment when barefoot or wearing sandals. Always wear substantial footwear.
- c) Disengage the self-propelled mechanism or drive clutch on units so equipped before starting the motor.
- d) Never attempt to make a wheel height adjustment while the motor is running.
- e) Mow only in daylight or in good artificial light.
- f) Never operate the equipment on wet grass. Always be sure of your footing. Keep a firm hold on the handle and walk, never run.

1.3 Operation

- a) Do not put hands or feet near or under rotating parts. Keep clear of the discharge opening at all times.
- b) Stop the blade(s) when crossing gravel drives, walks, or roads.
- c) After striking a foreign object, stop the motor, unplug, thoroughly inspect the mower for any damage, and repair the damage before restarting and operating the mower.
- d) If the equipment should start to vibrate abnormally, stop the motor and check immediately for the cause. Vibration is generally a warning of trouble.
- e) Stop the motor and unplug whenever you leave the equipment, before cleaning the mower housing, and before making any repairs or inspections.
- f) Shut the motor off and wait until the blade comes to a complete stop before removing the grass catcher or before unclogging the chute.
- g) Mow across the face of slopes, never up and

down. Exercise extreme caution when changing direction on slopes. Do not mow excessively steep slopes.






- h) Never operate the mower without proper guards, plates, or other safety protective devices in place.
- i) Do not wash with a hose, avoid getting water in motor and electrical connections.







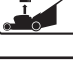



1.4 Maintenance

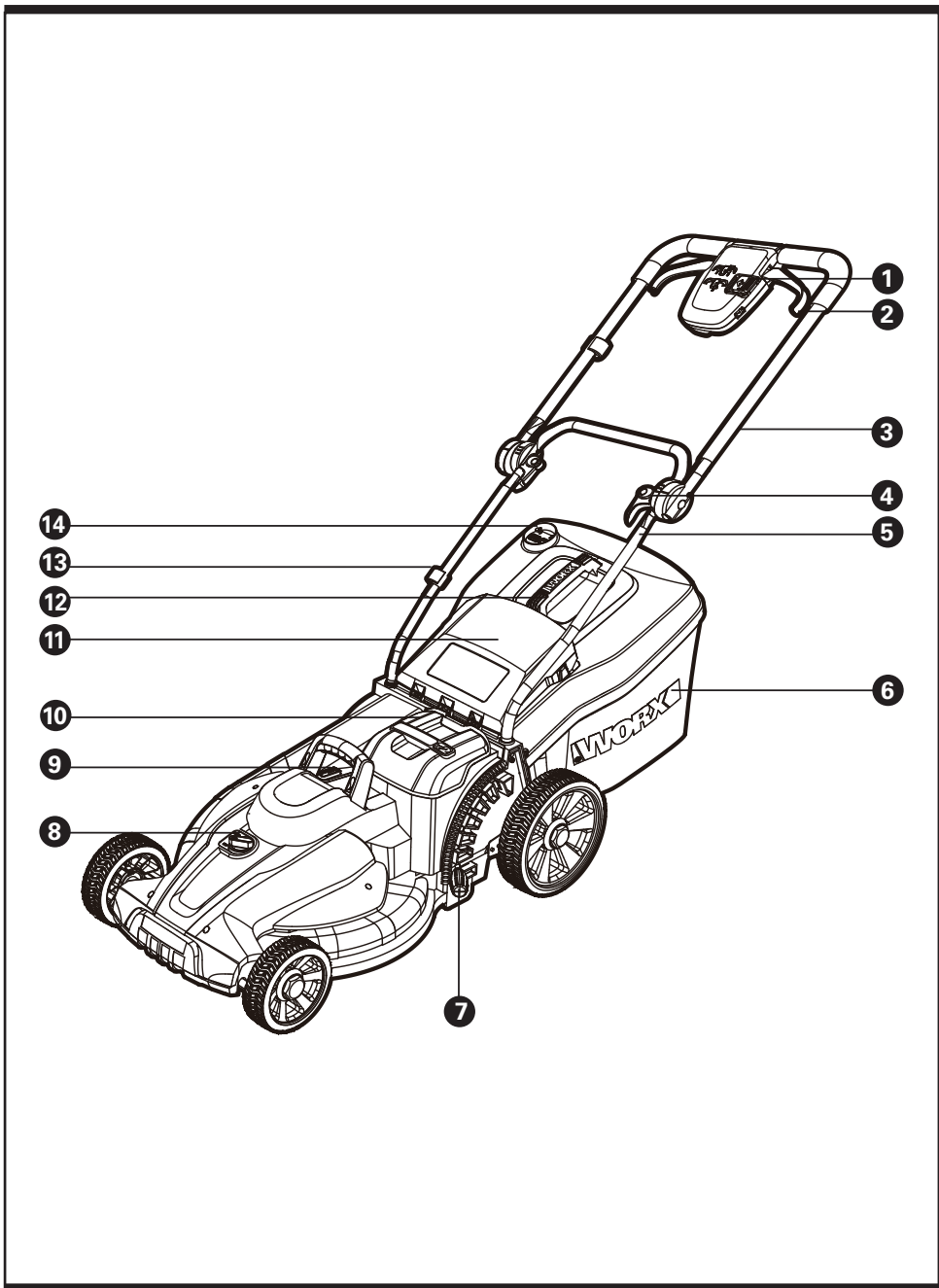
- a) Check the blade and the motor mounting bolts at frequent intervals for proper tightness.
- b) Keep all nuts, bolts, and screws tight to be sure the equipment is in safe working condition.
- c) Check bag frequently for deterioration and wear, and replace worn bags. Check that replacement bags comply with the original manufacturer's recommendations or specifications.
- d) Replace the blade if it is bent or cracked. An unbalanced blade causes vibration that could damage the motor drive unit or cause personal injury.
- e) Sharpen a dull blade equally at each end to maintain the balance.
- f) Clear the blade thoroughly and check its balance by supporting it horizontally on a thin nail through its centre hole. The nail should also be in a horizontal position. If either end of the blade rotates downward, remove some metal from the heavy or lower end until the blade is balanced. It is balanced when neither end drops.

SAVE THESE INSTRUCTIONS

SYMBOLS

	CPSC Danger label.
	Severing of toes or fingers-Rotary mower blade.
	Thrown objects from mower deck.
	Keep bystanders/children away.
	Safety alert.

	Slip on slope.
	Read the operator's manual.
	Do not expose to rain or water
	Do not burn
	Li-Ion battery, battery must be recycled
	Wear protective gloves
	Remove battery from the socket before carrying out any adjustment, servicing or maintenance.
	Blade continues to rotate after the machine is switched off. Wait until all machine components have completely stopped before touching them
	Remove the key
	call2recycle POSITEC Inc. has established a partnership with the RBRC Corporation to recycle any Positec batteries with the RBRC-call2recycle seal. For environmental protection, please do not discard batteries in the trash. After the batteries' life cycle is ended, then please call 1-800-822-8837 for a free service that will properly dispose of the battery.



1. **SAFETY KEY**
2. **SWITCH LEVER**
3. **UPPER HANDLE**
4. **LOCK CAM LEVER**
5. **LOWER HANDLE**
6. **GRASS COLLECTION BAG**
7. **CUTTING HEIGHT ADJUSTMENT KNOB**
8. **INTELLICUT DIAL**
9. **BATTERY INDICATOR LIGHT**
10. **BATTERY PACK COVER**
11. **SAFETY FLAP**
12. **BAG HANDLE**
13. **CABLE CLIP**
14. **GRASS BAG INDICATOR**
15. **MULCHING INSERT (SEE FIG. D1)**
16. **BATTERY PACK (SEE FIG. F) ***
17. **BLADE BOLT (SEE FIG. P1)**
18. **BLADE (SEE FIG. P1)**

* Not all the accessories illustrated or described are included in standard delivery.

TECHNICAL DATA

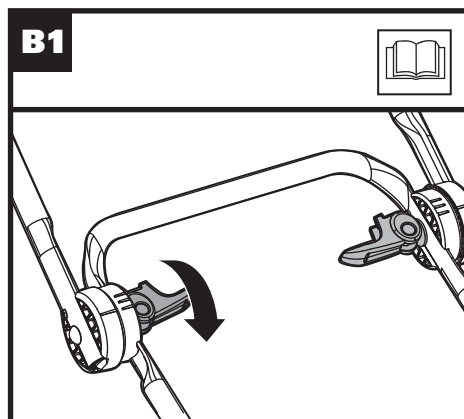
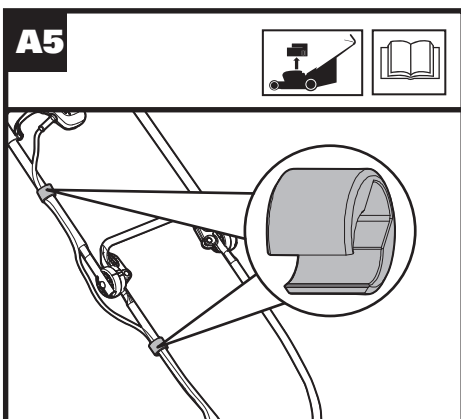
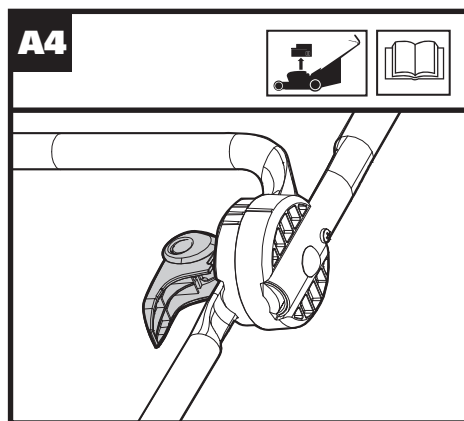
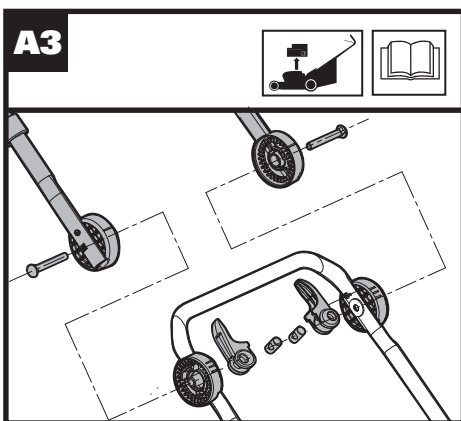
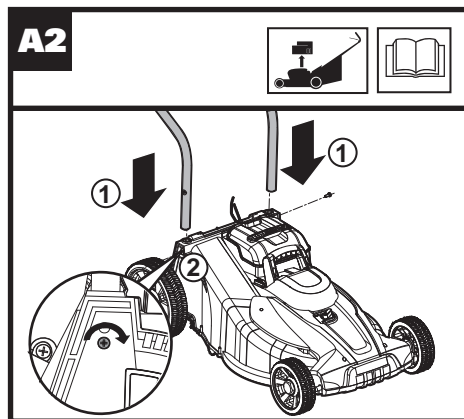
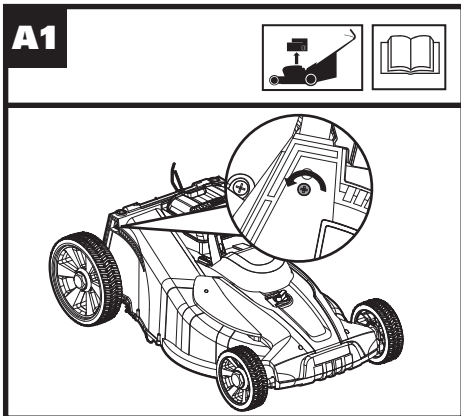
	WG750	WG750.9
Voltage:	40V $\overline{\text{---}}$ Max*	
Deck diameter:	17"	
Cutting diameter:	16"	
Front wheel diameter:	6"	
Rear wheel diameter:	8.7"	
Cutting height:	1.5" -3.5"	
Cutting height positions	6	
Grass collection capacity:	1.1 bushels	
Battery type	Lithium-ion	/
Battery Model	WA3580	/
Charging time (approx.)		
Battery pack:		/
2.0 Ah (1pc)	2 hrs	
2.0 Ah (2pcs)	4 hrs	
Charger Model	WA3877	
Charger rating:	Input: AC 120V~60Hz, 50W Output: 40V $\overline{\text{---}}$, 1.0 A	/
Machine Weight:	38.6 lbs	35.7 lbs

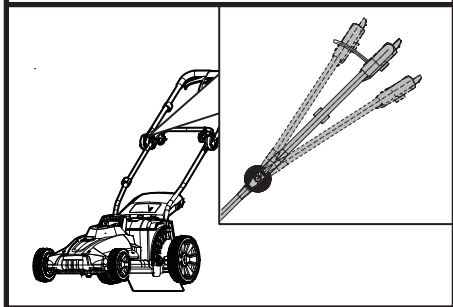
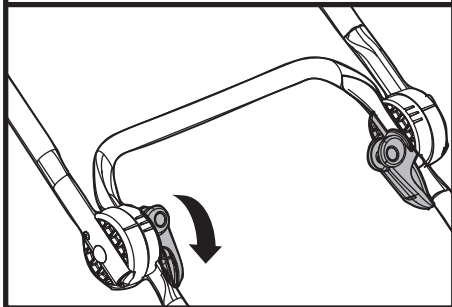
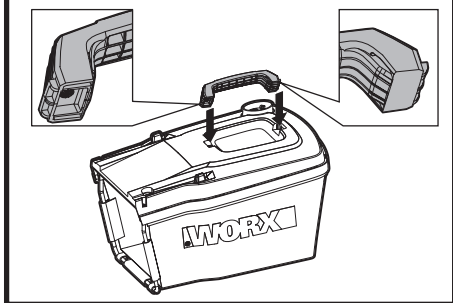
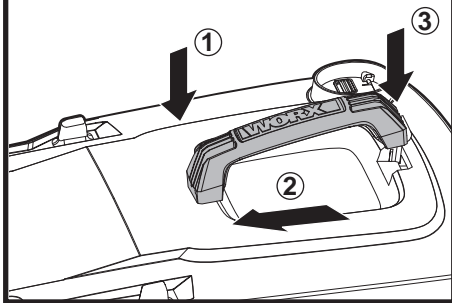
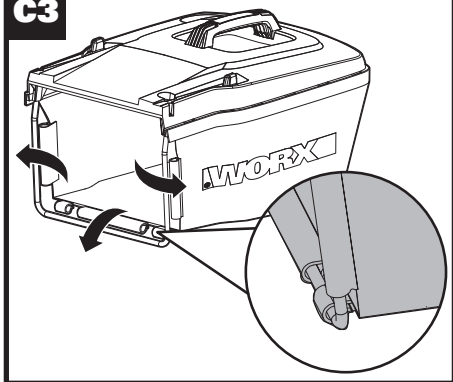
*Voltage measured without workload. Initial battery voltage reaches maximum of 40 volts. Nominal voltage is 36 volts.

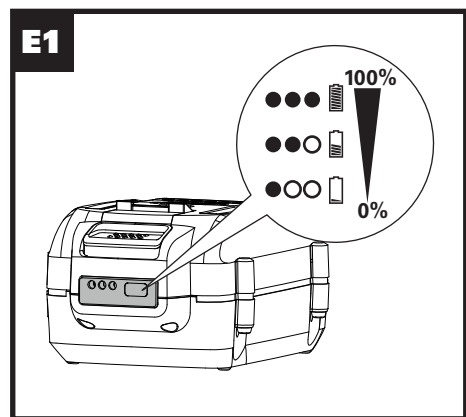
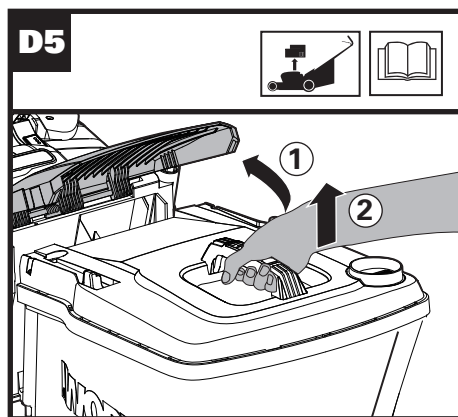
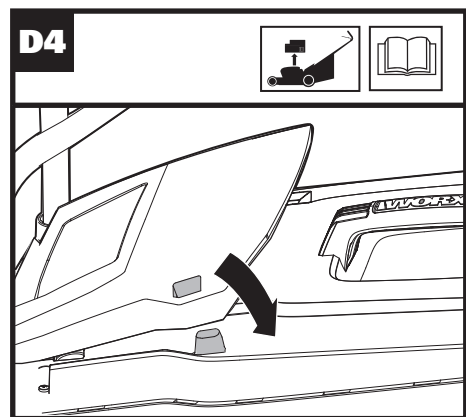
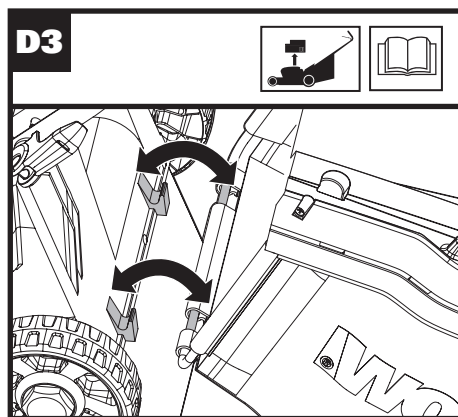
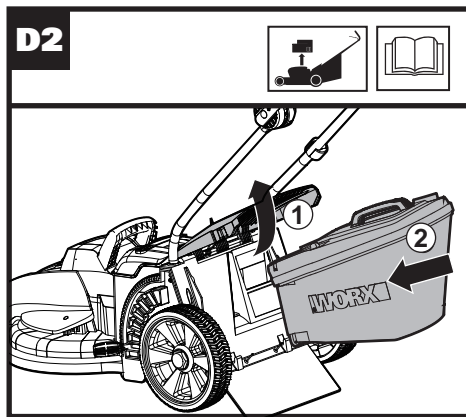
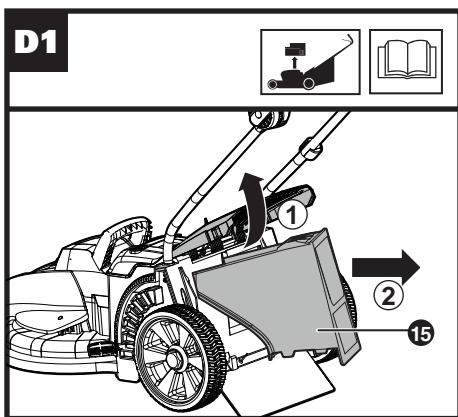
ACCESSORIES

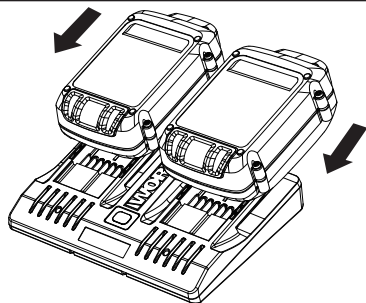
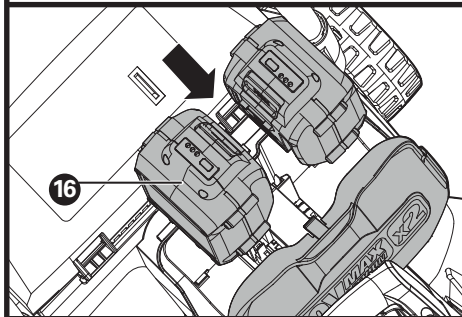
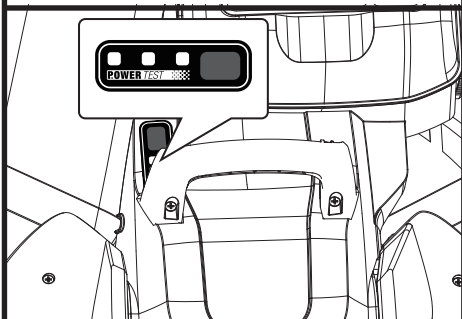
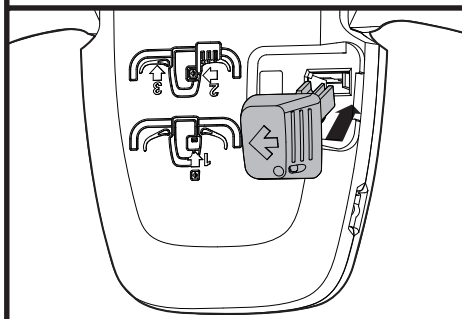
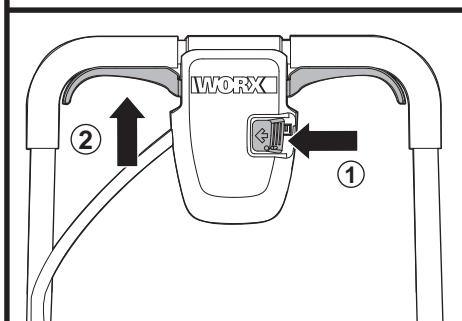
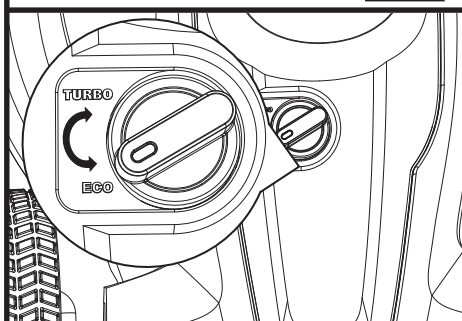
	WG750	WG750.9
Battery pack(WA3580)	2	/
Charger (WA3877)	1	/
Grass collection bag	1	
Mulching insert	1	

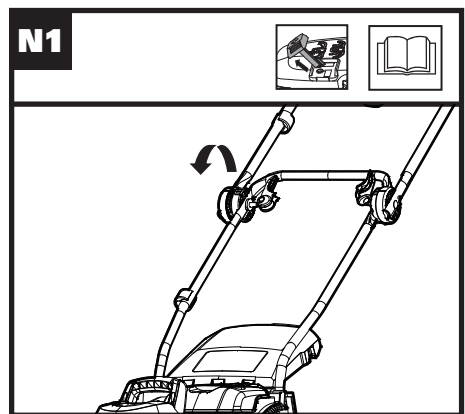
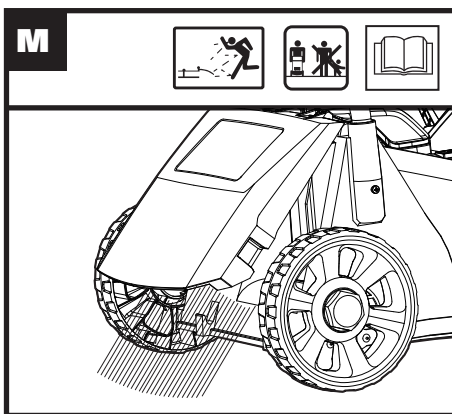
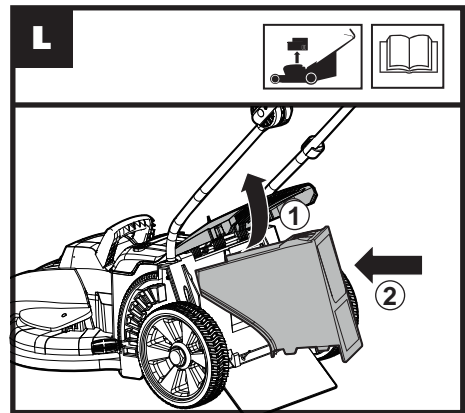
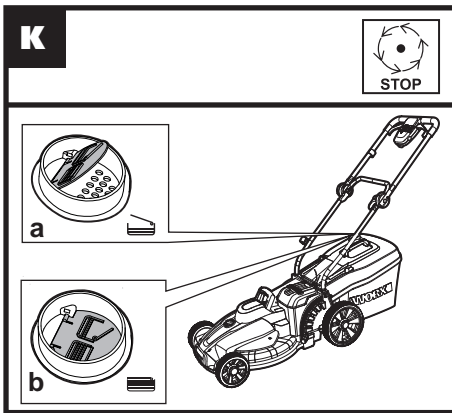
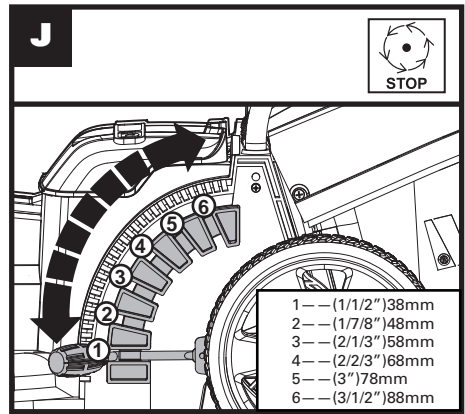
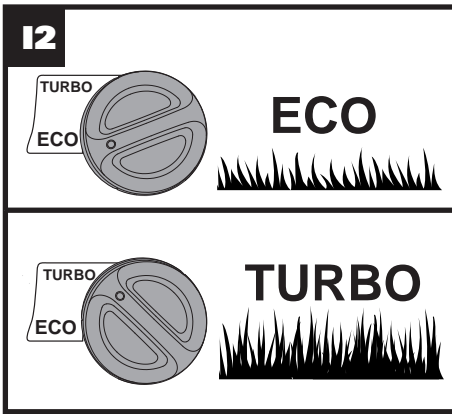
Only use the appropriate accessories intended for this tool. Accessory information can be found on the product packaging, at a WORX dealer or on our website at www.worx.com.

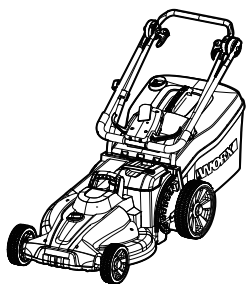
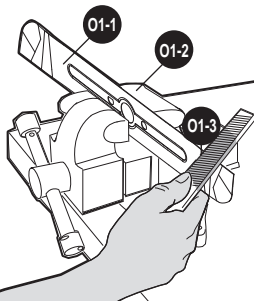
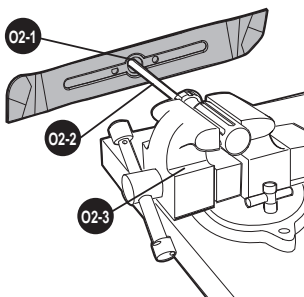
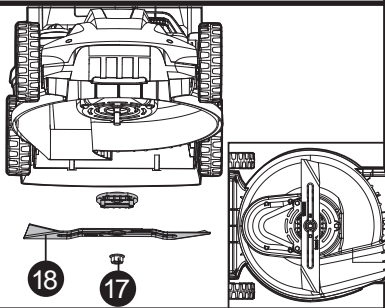
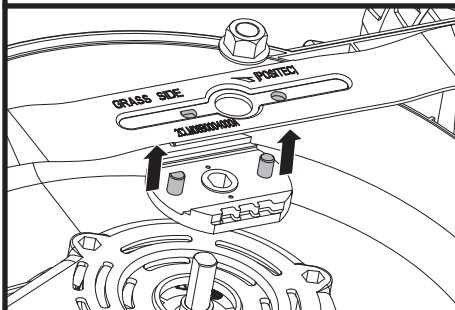


B2**B3****C1****C2****C3****C4**






E2**F****G****H1****H2****I1**



N2**01****02****P1****P2**

ASSEMBLY AND OPERATION

ACTION	FIGURE
ASSEMBLY	
Assembling the handle bar	See Fig. A1, A2, A3, A4, A5
Adjusting the upper handle height NOTE: Do not adjust the upper handle out of the scope of the three levels on the lock cam levers. Make sure the two lock cam levers are on the same level. Always check that the upper handle is fixed firmly.	See Fig. B1, B2, B3
Assembling the grass collection bag	See Fig. C1, C2, C3, C4
Fitting the grass collection bag to the lawn mower NOTE: Take the mulching insert out of the lawn mower before fitting the grass collection bag. NOTE: Depress the grass collection bag slightly to ensure that it is completely installed	See Fig. D1, D2, D3, D4
Removing/Emptying Grass Collection Bag  WARNING! Always check the safety flap close the discharge outlet before using. Never lift the safety flap when the lawn mower is being used without fitted grass collection bag.	See Fig. D5
Checking the battery charge condition	See Fig. E1
Charging the battery pack NOTE: The battery is shipped uncharged. The battery must be fully charged before the first mow. Always fully charge the two batteries at same time. More details can be found in charger's manual.	See Fig. E2
Fitting/Removing Battery NOTE: This mower will run with 1 battery or 2 batteries are installed. Please fully charge the batteries.	See Fig. F
OPERATION	

Battery power indicator on the machine See details in BATTERY STATUS part IMPORTANT When only one light is illuminated, at least one battery is depleted and needs to be charged, even though the mower may still be capable of cutting grass. Continuing to operate your lawnmower with the battery in this discharged condition may reduce the life and performance of your battery. When no light is illuminated, at least one battery is not fully installed or battery is defective, please double check the batteries are fully seated into position.	See Fig. G
Starting & Stopping	See Fig. H1, H2
Selecting the INTELLICUT DIAL ECO MODE Set the Intellicut Dial to ECO mode when mowing in everyday conditions, removing approximately 1 inch of grass at a time. TURBO MODE Set the Intellicut Dial to POWER mode when cutting dense or overgrown grass.	See Fig. I1, I2
Adjusting the Cutting Height	See Fig. J
Grass Bag Filling Indicator Empty status: flap floats (a)  Fully status: flap falls down (b) 	See Fig. K
Installing the mulching insert	See Fig. L
Mulching Rear Discharge	See Fig. M
Storage	See Fig. N1, N2

BATTERY STATUS (See Fig. G)

Before starting or after use, press the button "POWERTEST" on the machine to check the battery capacity. During operation, the battery capacity will be indicated automatically by the battery power indicator. The indicator constantly senses and displays the battery condition as follows:

Battery power indicator status	Battery condition
Only one green light (■ □ □) is illuminated.	At least one battery is depleted and needs to be charged.
Two green lights (■ ■ □) are illuminated.	The two batteries are in a moderately charged condition.
Three green lights are illuminated.	The two batteries are in a highly charged condition.
No light is illuminated.	At least one battery is not fully installed or battery is defective.
Only one light (■ □ □) is flashing twice per cycle.	At least one battery is over discharged, please recharge the two batteries at once before use again or storage.
Only one light (■ □ □) is flashing three times per cycle.	At least one battery is hot, wait for them cool down before start again.
Only one light (■ □ □) is flashing four times per cycle.	The machine is over load. Raise the cutting height or push slowly.

MULCHING MOWING TIPS

When using the mulching plug, your new mower is designed to cut the grass clippings into small pieces and distribute them back into the lawn, using mulching fins located inside the mower deck. Under normal conditions, the mulched grass will biodegrade quickly to provide nutrients to the lawn. Please review the following recommendations for optimum mulching performance,

- 1) Avoid mowing when the grass is wet from rain or dew. Wet grass may form clumps which interfere with the mulching action and reduce runtime. The best time to mow grass is in the late afternoon when the grass is dry and the newly cut area will not be exposed to direct sunlight.
- 2) For best mulching performance, set the cutting height to remove about one third of the grass blade length. If the lawn is overgrown, it may be necessary to increase the cut height to reduce the pushing effort and prevent overloading the motor. For extremely heavy mulching, it is advisable to first cut at a high

cut height setting, and then re-cut to the final cut height. Otherwise, make narrower cuts and mow slowly.

- 3) For best performance, keep the mower housing free of built-up grass. From time to time turn off mower and wait for the blade to come to a complete stop. Then unplug the Safety Key (1) and turn mower on its side. Using an object such as a stick, wipe out any accumulation of grass in the blade area. Be careful of the sharp edges of the blade. Clean often in wet, new grass, and always after every use.
- 4) Certain types of grass or grass conditions may require that an area be mulched a second time to fully disperse the grass throughout the lawn. If cutting a second time, it is advisable to cut perpendicular (across) the first cut pattern. **DO NOT CHANGE CUT PATTERN IN ANY WAY THAT WOULD CAUSE MOWING DOWN A HILL.**
- 5) Change your cutting pattern from week to week. This will help prevent matting and graining of the lawn.

MAINTENANCE



WARNING: Stop the mower and remove the safety key before removing the grass bag.

Note: To ensure long and reliable service, perform the following maintenance procedures regularly. Check for obvious defects such as a loose, dislodged or a damaged blade, loose fittings, and worn or damaged components. Check that the covers and guards are all undamaged and are correctly attached to mower. Carry out any necessary maintenance or repairs before operating mower. If the mower should happen to fail despite regular maintenance, please call our customer helpline for advice.

BLADE SHARPENING

KEEP BLADE SHARP FOR BEST MOWER PERFORMANCE.

WEAR PROPER EYE PROTECTION WHILE REMOVING, SHARPENING, AND INSTALLING BLADE. ENSURE THAT SAFETY KEY IS REMOVED. Sharpening the blade twice during a mowing season is usually sufficient under normal circumstances. Sand causes the blade to dull quickly. If your lawn has sandy soil, more frequent sharpening may be required. REPLACE BENT OR DAMAGED BLADE IMMEDIATELY.

WHEN SHARPENING THE BLADE:

1. Make sure blade remains balanced.
2. Sharpen blade at the original cutting angle.
3. Sharpen cutting edges on both ends of blade, removing equal amounts of material from both ends.

Note:

1. Be sure the mower is turned off and remove the key.
2. Place the mower in stand up storage mode.

TO SHARPEN BLADE IN A VISE (SEE Fig. 01)

1. Be sure the switch lever is released, the blade has stopped and the safety key removed before removing the blade.
2. Remove blade from mower. See instructions for removing and attaching blade.
3. Secure blade O1-1 in a vise O2-2.
4. Wear safety glasses and be careful not to cut yourself.
5. Carefully file the cutting edges of the blade with a fine tooth file O3-3 or sharpening stone.
6. Check balance of blade. See instructions for blade balancing.
7. Replace blade on mower and tighten securely. Refer to instructions below.

BLADE BALANCING (SEE Fig. 02)

Check balance of blade by placing center hole in blade O2-1 over a nail or screwdriver shank O2-2, clamped horizontally in a vise O2-3. If either end of the blade rotates downward, file that end. Blade is properly balanced when neither end drops.

BLADE MAINTENANCE (See Fig. P1, P2)

Renew your metal blade after 50 hours mowing or 2 years, whichever is the sooner-regardless of condition.

Follow these procedures to remove and replace the blade. You will need garden gloves (not provided) and a spanner wrench (not provided) to remove the blade. Hold the blade and unscrew the blade bolt counter-clockwise using a spanner wrench, and then remove blade.

To re-assemble, position the blade with the cutting edges towards the ground. Then securely tighten the blade bolt.

STORAGE (SEE Fig. N1, N2)

Stop the mower and always remove the safety key. Clean the exterior of the machine thoroughly using a soft brush and cloth. Do not use water, solvents or polishes. Remove all grass and debris, especially from the ventilation slots.

Turn the machine on its side and clean the blade area. If grass cuttings are compacted in the blade area, remove with a wooden or plastic implement. Store the machine in a dry place. Do not place other objects on top of the machine.

To aid storage, release the Lock Cam Lever, and fold the upper handle as shown in Fig. N1, N2.

CUTTING AREA

The cutting area can be affected by many factors including: cutting height, operation practices (ex:

starting/stopping), lawn moisture levels, grass length and thickness.

The below table provides the potential cutting areas based on specific cutting conditions.

Cutting Height	Recommend lot size (maximum)
Cutting off .75" (2cm)	With 2*40V/2.0Ah batteries
	Up to 5500 sq. ft.*

* Used with two fully charged battery packs.

TIPS:

- 1) Mowing the lawn frequently and reducing the amount of starting/stopping procedures will help conserve battery runtime. It is recommended to always use the same two batteries during operation with fully charged levels.
- 2) For the best cutting performance, it is recommended to only mow up to 1/3 or less of the current grass height at a time. Mow at a slower pace when cutting long/thick grass to allow the mower to properly discharge the clippings.

TROUBLE SHOOTING

Problem	Solution
1. Mower doesn't run when switch lever is activated.	A. Check to make sure safety key has been installed and is fully seated and that button on switch housing is being completely pushed. B. Release Switch Lever to turn mower off. Remove safety key, turn mower over and check that blade is free to turn. If not free, return to an authorized servicer. Blade should turn freely. C. Has battery been fully charged? Plug in charger and wait for green light to come on.
2. Motor stops while mowing.	A. Release Switch Lever to turn mower off. Remove safety key, turn mower over and check that blade is free to turn. If not free, return to an authorized servicer. Blade should turn freely. B. Raise cutting height of wheels to highest position and start mower. C. Has battery been fully charged? Plug in charger and wait for green light to come on. D. Avoid overloading the mower. Slow down the cutting pace by pushing mower slower or raise the cut height. Or both.
3. Mower runs but cutting performance is unsatisfactory, or does not cut entire lawn.	A. Has battery been fully charged? Plug in charger and wait for green light to come on. B. Release Switch Lever to turn mower off. Remove safety key. Turn mower over and check: Blade for sharpness - Keep blade sharp. Deck and discharge chute for clogging. C. Wheel height adjustment may be set too low for grass condition. Raise cutting height.
4. Mower is too hard to push.	A. Raise cutting height to reduce deck drag on grass. Check each wheel for free rotation.

5. Mower is abnormally noisy and vibrates.	A. Release Switch Lever to turn mower off. Remove safety key. Turn mower on side and check blade to ensure it has not been bent or damaged. If blade is damaged, replace with a replacement blade. If the underside of the deck is damaged return mower to an Authorized service center. B. If there is no visible damage to the blade and the mower still vibrates: Release Switch Lever to turn mower off, remove safety key and remove blade. Rotate blade 180 degrees and retighten. If mower still vibrates, return the mower to an authorized service center.
6. Battery charger LED's not on.	A. Check plug connection. B. Replace charger.
7. Battery charger LED does not flip to green.	A. Battery needs to be diagnosed. Take to authorized service center.
8. Mower not picking up clippings with the Grass Collection Bag.	A. Remove mulch plate when bagging. B. Chute clogged. Release Switch Lever to turn mower off. Remove safety key. Clear chute of grass clippings. C. Too much cut grass. Raise cutting height of wheels to shorten length of the cut. D. Bag full. Empty bag more often.
9. When mulching there are clippings visible.	A. Too much cut grass. Raise cutting height of wheels to shorten length of the cut. Do not cut off more than 1/3 of total length. B. Check blade for sharpness. Always keep blade sharp.
10. Low or diminished run-time after many uses	A. Return to Authorized Service location - may need new battery.



www.worx.com

Copyright © 2017, Positec. All Rights Reserved.

Copyright © 2017, Positec. Tous droits réservés.

© Derechos reservados 2017, Positec. Todos los derechos reservados.

AR01323700