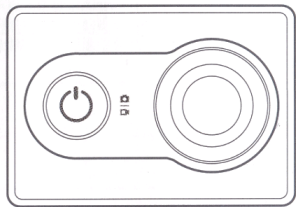
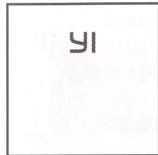


Getting started with Yi Action Camera

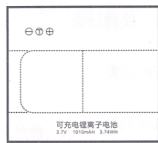
Included:



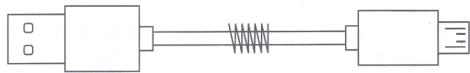
Yi Camera x1



Users guide x1

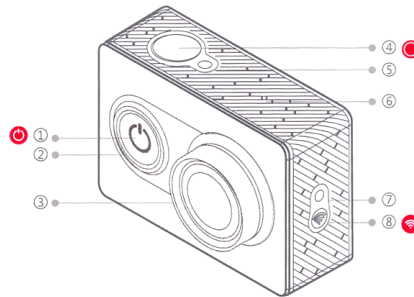


Battery x1



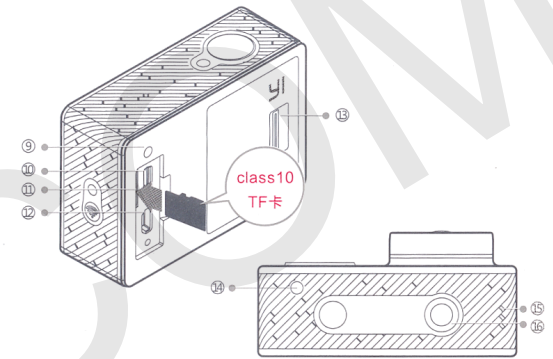
Micro-USB cable x1

Operating of a camera



- | | |
|---|--------------------------------------|
| ① power-ON button/switching of the mode | ⑤ status indicator |
| ② ring-shaped LED indicator | ⑥ microphone |
| ③ lens | ⑦ WIFI indicator |
| ④ video/photo button | ⑧ power-ON WIFI/button for Bluetooth |

Operating of a camera

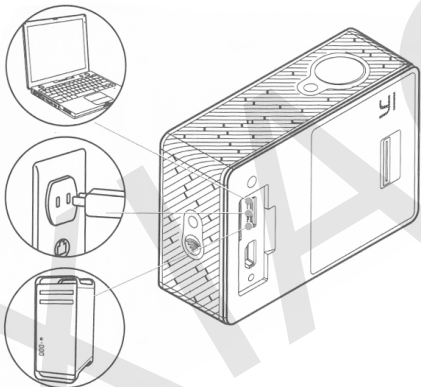


- | | |
|-----------------------|----------------------|
| ⑨ status indicator | ⑮ battery cover |
| ⑩ micro-USB Connector | ⑯ status indicator |
| ⑪ socket for TF Card | ⑰ holes for dynamics |
| ⑫ socket for HDMI | ⑱ slot for monopod |

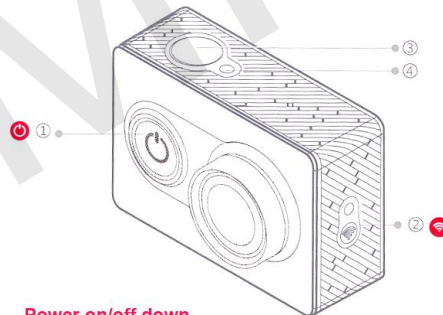
If you do not use high-quality TF a card (max. Supports a card on 64 Gg), it can effect quality of filming or cause its interruption.

Charging

For additional charge it is possible to connect USB cable to the power adapter or to the PC. It is recommended to use adapters 5V/1.5A and more portable power units.



Main Operations



- Power on/off down**
Power On: press the button
Power Off: press the button for longer (if unloaded, the red indicator lights up)

- Connection/shut down of WIFI**
Connecting to WIFI: press the button and you are connected/be disconnected from WIFI. After successful connection to WIFI, the dark blue indicator will light up.

Switching-off WIFI: press the button, and you at once are connected/be disconnected from WIFI. The indicator blinks 5 times and once extinguished.

Main Operations

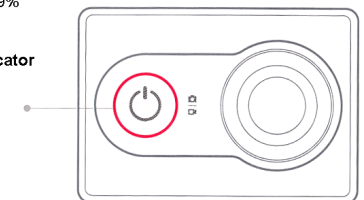
- Switching of a mode**
After switch on of the camera, push a button power On to change a mode photo/video;

Photo: factory adjustments of a mode for operating of camera after loading by default, (they can be changed through the mobile app.), press the button of a photo/video - now is possible to take a picture;

Video: push a button power on for switching in a mode of video (red indicators will inform that you are switched into videomode), press the button of a photo/video and it is possible to remove now (in this case red indicators will blink). Once again press the button of a photo/video and you stop filming.

- Color of the LED indicator indicates charging level**
blue: 50%-100%
purple: 15%-49%
red: 0-14%

The LED indicator



Yi Sport Camera App

5) Installation on mobile Yi Sport Camera Application

System requirements of phone Android 4.1 and above or IOS 7. For installation on mobile phone Yi Camera of the application, scan a QR-code which is from the right side. Follow the further instructions for completion of installation and successful interface of the chamber with mobile.



6) Firmware Update

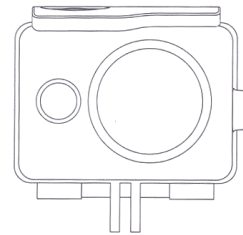
Updating of the camera through the mobile application: first make sure, that phone is connected to the Internet, open the mobile application, after interface to the camera if there is a new version, phone will automatically request updating.

7) Return to factory installations

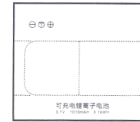
After inclusion of the chamber, press the button of power on and on button WIFI at the same time and keep them in current 2 seconds. After you will hear a sound signal, release these two buttons ---you have returned to factory installations, and your camera will automatically reboot.

Accessories for Yi Camera

8) Accessories for Yi Camera



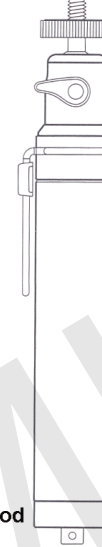
Water-proof case



Battery



Remote control



Monopod

xiaomi-mi.com

The main specifications of Yi Camera

Lens: F2.8 DFOV 1550

Focal length: 2.73 +-5%MM

Video standard: the highest supported standard 1080Px60fps

Sensor: Sony CMOS 16 - megapixel camera

Weight: 72g (Camera + battery)

Standards of storage: MICRO SDHC and Micro SDXC card

Product Name: Yi Camera

In: 1A 5V

Standard consumption of energy: 2 w

The operating standard: GB/T 29298-2012

XIAOMI-MI.com

Presence of toxic and harmful substances

Name	Toxic and harmful substances or elements					
	Pb	Hg	Cd	Cr6+	PBB	PBDE
Basis of the camera	0	0	0	0	0	0
Battery	0	0	0	0	0	0
Cable	0	0	0	0	0	0
Circuit board	x	0	0	0	0	0
Explain	<p>O: Toxic and harmful substances in all accessories of the given arrangement to occur in quantity below limiting value according to SJ/T11363-2006 "Requirements of restriction availability of poisonous and harmful substances in the goods".</p> <p>X: Means availability of toxic and harmful substances at least in one of in accessories of the given arrangement in the quantity exceeding limiting value, according to SJ/T11363-2006 "Requirements of restriction availability of poisonous and harmful substances in the goods".</p>					

Warranty Conditions

Into guarantee service enters:

- In current of 7 days from the moment of purchase if service center Mi will detect occurrence of a problem of an arrangement, you can return the goods or change it;
- In current of 15 days from the moment of purchase if service center Mi will detect occurrence of a problem of an arrangement, you can change the goods or take advantage of free corrective maintenance;
- In current of 12 months from the moment of purchase if service center Mi will detect occurrence of a problem of an arrangement, you can take advantage of free corrective maintenance.

Warranty Conditions

Conditions of guarantee repair

The list of circumstances (including, but not being limited) at which warranty service is impossible:

- Completion of maintenance service, falling, the negligent attitude, abuse, hit of a liquid, accident if have torn or have covered a label and marks of an arrangement;
- Validity of a guarantee has ended;
- The damages which have arisen at force-majeur circumstances such, as: impact of a lightning, a fire or flooding.