

**POWERED SPEAKER SYSTEM  
DBR series**

**DBR15 DBR12 DBR10**

**Owner's Manual**

In order to take full advantage of the DBR series' (referred to in this manual as DBR) superior functionality and enjoy years of trouble-free use, please read this manual before you begin using the product. After you have read the manual, keep it in a safe place for reference when needed.

- Please read the **PRECAUTIONS** on the reverse side of this manual before use.
- This manual uses example illustrations taken from the DBR12 if not otherwise specified.
- The illustrations as shown in this manual are for instructional purposes only, and may appear somewhat different from those on your device.
- The company names and product names used in this manual are the trademarks or registered trademarks of their respective companies.

**Features**

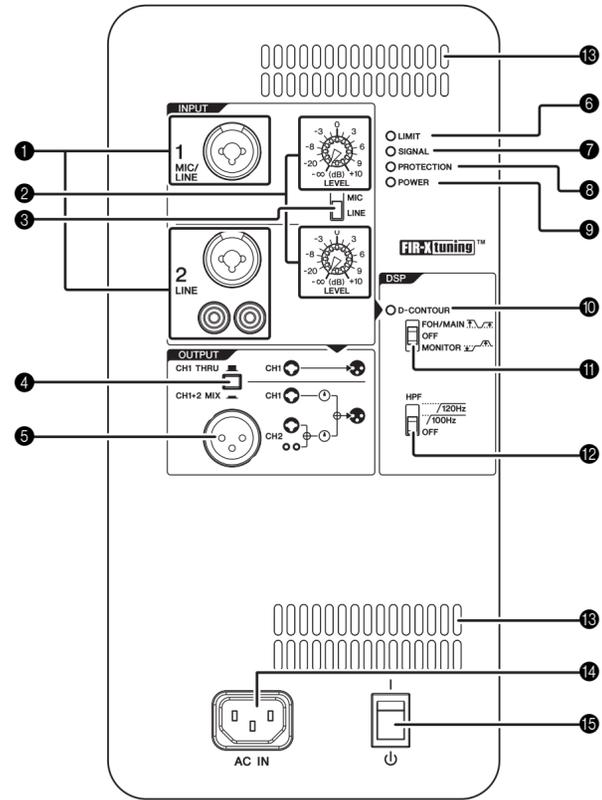
- **FIR-X tuning™**  
Our proprietary sound-processing technology utilizing a linear-phase FIR filter delivers excellent sound quality with high resolution and a smooth frequency response that is unaffected by phase interference near the crossover point.
- **D-CONTOUR (Dynamic CONTOUR)**  
D-CONTOUR optimizes the level of each frequency range according to the application to be used or the listener's preferences. There are two modes: an FOH/MAIN mode for use as a main speaker, and a MONITOR mode for use as a floor monitor.
- **Simple mixing function**  
The DBR features simple mixing functionality, enabling you to select either a direct output of channel 1 (CH1) (parallel connection) or a mixed output of CH1 and CH2.
- **Various input/output connectors**  
The comprehensive set of connectors—including XLR for a mixer, phone for a musical instrument, and RCA-pin for an MP3 player—provides maximum flexibility in use with a wide variety of applications.
- **Light weight, high power**  
A newly developed power supply and amplifier has enabled compact size and light weight, as well as powerful output.
- **Advanced protection functionality**  
DSP-controlled advanced protection functionality promotes optimum reliability even in challenging environments.

**Included Accessories**

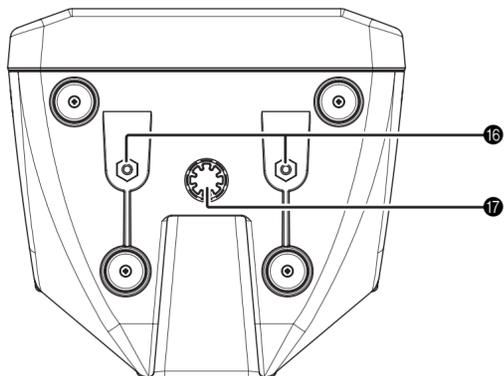
- AC power cord
- Technical Specifications (English only): includes specifications, block diagram, and dimensions.
- Owner's manual (this leaflet)

**Controls and Connectors**

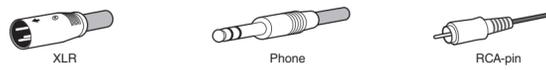
**Rear**



**Bottom**



- Input jacks (CH1 and CH2)**  
These are balanced combo jacks that support both XLR and phone plugs (both CH1 and CH2), and RCA-pin plugs (CH2 only). For the combo jacks, connect a mixer, microphone, or digital musical instrument such as a keyboard. For RCA-pin jacks, connect a device such as an MP3 player or a CD player. For devices with high level signals such as a mixer, connect to CH2, or connect to CH1 then set the [MIC/LINE] switch (3) to [LINE].
- [LEVEL] knobs**  
Adjust the level of each input jack (1).
- [MIC/LINE] switch**  
Set this switch to [MIC] or [LINE] for the CH1 jack, depending on the level of the input signal. For low-level signals (such as microphones), set the switch to [MIC]. For high-level signals (such as mixer), set the switch to [LINE].
- Output switch**  
Selects the output signal sent to the output jack (5).  
[CH1 THRU]: Delivers the direct output signal of CH1 only. Signal from CH2 will not be output.  
[CH1+2 MIX]: Outputs the mixed signals of CH1 and CH2.
- Output jack**  
This is a balanced XLR jack. This can be used to connect another DBR speaker. Outputs the signal selected by 4 output switch.
- [LIMIT] indicator**  
Indicates (lit in red) that the limiter is on when the output voltage of the amplifier has exceeded the maximum level, or when excessive integral power consumption is detected. If this indicator stays lit, lower the input level.
- [PROTECTION] indicator**  
Indicates (lit in red) when the protection circuit is active. The protection circuit will be activated and the speaker outputs will be muted in the situations listed below.
  - If amplifier overheating is detected
  - If overcurrent is detected
  - When turning the power on; the protection circuit will be activated for a few seconds to prevent noise. The indicator turns off when the power supply has started normally.
 If the protection circuit has engaged, waiting until the amplifier cools down or powering off and on again will return to normal operation. If the unit does not return to normal operation, please contact your Yamaha dealer.
- [POWER] indicator**  
Indicates (lit in green) when the [I/O] (power) (15) switch is turned on.
- [D-CONTOUR] indicator**  
Indicates (lit in yellow) when the [D-CONTOUR] switch (11) is set to [FOH/MAIN] or [MONITOR].
- [D-CONTOUR] switch**  
Selects one of the D-CONTOUR (Dynamic CONTOUR) presets.  
[FOH/MAIN]: Boosts the high and low frequency components so that the frequency response is suitable for a main speaker.  
[MONITOR]: Reduces the low frequency range, which could otherwise tend to be boomy if the speaker is set directly on the floor. This enables you to hear mid and high frequency ranges clearly when using as a floor monitor.  
[OFF]: Turns off D-CONTOUR. This is a generic frequency response setting.
- [HPF] switch**  
Selects the cutoff frequency of the high pass filter. If you set this switch to [120Hz] or [100Hz], the low frequency components below each threshold will be cut. If you use the unit alone, set this switch to [OFF]. If you plan to use the unit along with a subwoofer, we recommend that you set this switch to [120Hz] or [100Hz].
- Vent**  
The unit contains a cooling fan. Since the air for cooling is taken in and expelled here, be careful not to block this vent.
- [AC IN] socket**  
Connect the supplied power cord here. First connect the power cord to the unit, then plug it into an appropriate AC power outlet.
- CAUTION**  
Turn off the power before you connect or disconnect the power cord.
- [I/O] (power) switch**  
Turns power to the unit on [I] or off [O]. First, turn on the power of the connected sound source (external device), then the unit. When turning off the power, reverse the order by turning off the power of the unit first and then the connected sound source (external device).
- CAUTION**  
Even when the switch is in the off position, a small amount of electricity is still flowing to the unit. If it will not be used for an extended period of time, therefore, be sure to unplug the power cord from the wall AC outlet.
  - Rapidly turning the unit on and off in succession can cause it to malfunction. After turning the unit off, wait for about 5 seconds before turning it on again.
  - If you are using multiple units, turn on the power to each unit one by one. If you turn on the power to multiple units simultaneously, a temporary drop in the power voltage may occur, possibly resulting in abnormal operation of the units.
- Screw holes (M8)**  
Use these M8 size screw holes for installing separately sold brackets or commercially available eye bolts.
- Pole socket**  
This socket adapts to commercially available speaker stands and speaker poles of 35 mm diameter.

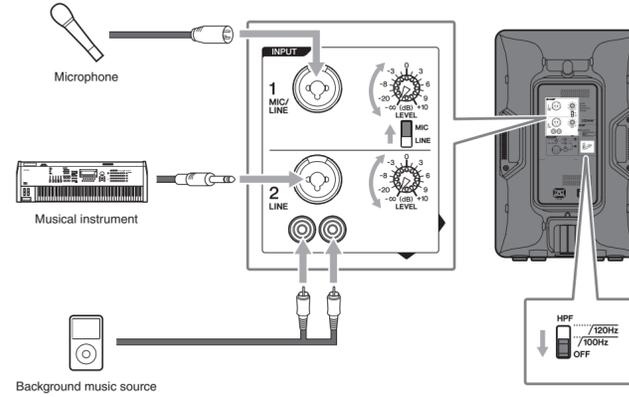


**Setup Examples**

**Simple system with a single DBR**

This example illustrates the system when connecting directly to a microphone, musical instrument, or background music source without using a mixer.  
Main application: small-sized live venue, presentations, restaurants

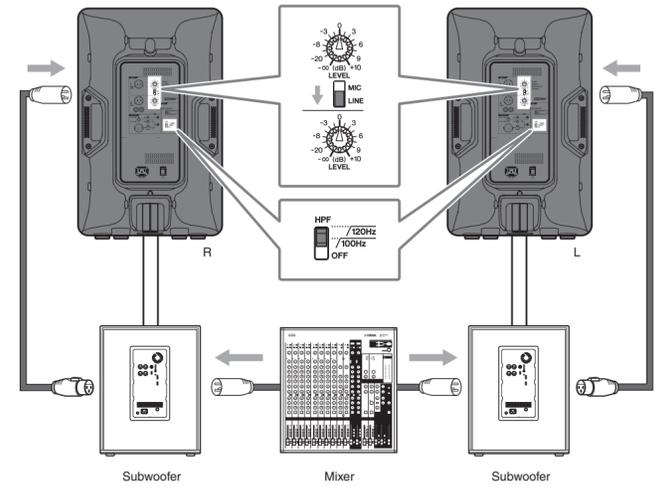
**Note** For CH2, inputs to the combo jack and to the RCA pin jacks will be mono mixed at a fixed balance. If you want to change the balance, adjust the volume of the connected sound source.



**System with two DBRs and subwoofers**

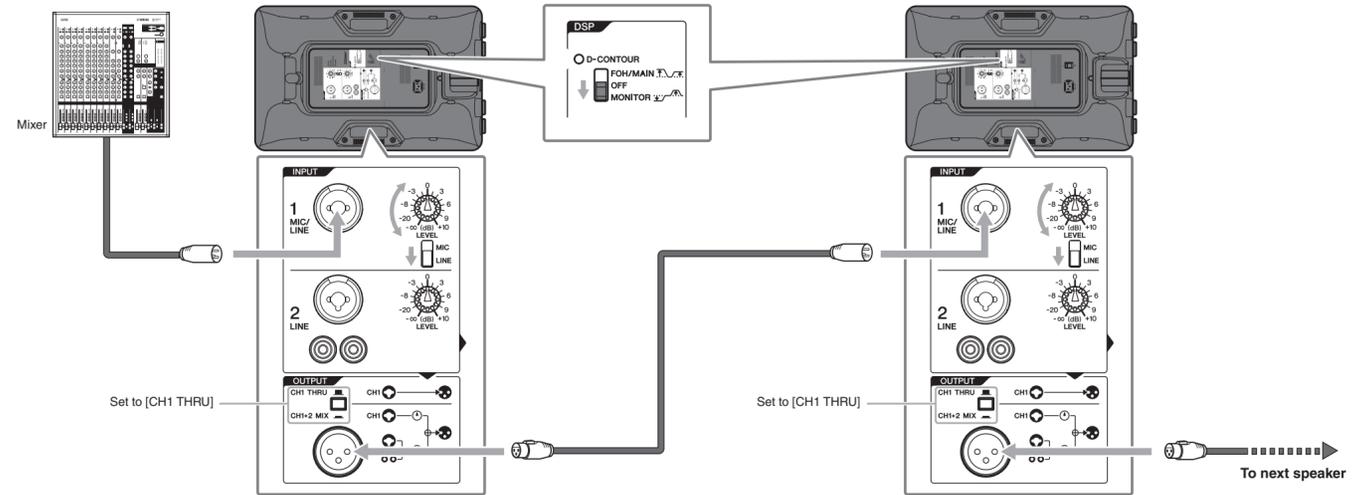
This system is the most suitable for a main speaker system. If desired, you can add another DBR to create a floor monitor system.  
Main application: small-sized live venue, house of worship, event site

**Note** We recommend to use Yamaha DXS series (referred to in this manual as DXS) as a subwoofer. In this case, we recommend that the DBR's HPF cutoff frequency and the DXS's LPF cutoff frequency are set to the same settings; however, you can adjust it as desired.



**Floor monitor system**

This system is suitable for a performer's monitoring system. For use as a vocal monitor, set the [D-CONTOUR] switch to [MONITOR]. If necessary, you can additionally connect up to four speakers in parallel. In this case we recommend that the signal is input to CH1 and the output switch is set to [CH1 THRU].



**Troubleshooting**

Symptom	Possible causes	Possible solution
Power does not turn on.	The power cord is not connected properly.	Connect the power cord all the way in so that it is firmly in place.
Power suddenly went off.	The protection system has been activated, shutting down the power supply.	Turn off the power, wait until the amplifier cools down, and then turn on again.
No Sound.	The cable is not connected properly.	Connect the cable all the way in so that it is firmly in place.
Sound is interrupted suddenly.	The protection circuit has been activated, muting the output.	Wait until the amplifier cools down. If the unit won't automatically reset itself, turn off the power, and then on again.
Sound howls (feedback).	A microphone is directed toward the speaker.	Aim the speaker away from the area where the microphone picks up sound.
Each speaker sound differs (if multiple speakers are used).	Sound is amplified too much.	Lower the volume of input device and locate the microphone more closely to the sound source.
	Settings for each speaker differ.	Set the [HPF] switch and [D-CONTOUR] switch of each speaker to the same positions.
Sound is distorted.	The [LIMIT] indicator is off.	When the [MIC/LINE] switch is set to [MIC], and even if you lower the volume fully the sound is still distorted, set the switch to the [LINE] position. If the sound is still distorted even if the switch has been set to [LINE], lower the volume of the connected input devices.
	The [LIMIT] indicator is on.	Output volume is excessive.
The microphone volume is too low.	The [MIC/LINE] switch is set to [LINE].	Set the [MIC/LINE] switch to the [MIC] position.
Low and high frequency are unbalanced.	The output limiter is active.	Lower the input level or the output level until the [LIMIT] indicator lights occasionally.

If any specific problem should persist, however, please contact your Yamaha dealer.

# Installation Examples

## CAUTION

- Before doing any installation or construction work, consult with your Yamaha dealer.
- For optimum safety, the installation should be checked thoroughly at regular intervals. Some fittings may deteriorate over extended periods of time due to wear and/or corrosion.
- When choosing the installation location, suspension wire and mounting hardware, make sure all are strong enough to support the weight of the speaker.
- Make sure to take measures to prevent the speaker from falling down in the event of an installation failure.
- When installing the safety wire to the wall, install it higher than the wire's attachment point on the speaker, with as little slack as possible. If the wire is too long, and the speaker happens to fall, the wire may snap as a result of too much strain.

Yamaha cannot be held responsible for damage or injury caused by insufficient strength of the support structure or improper installation.

## Installation using separately sold Yamaha speaker brackets

Attach the bracket to two screw holes at the bottom of the unit using commercially available screws (M8 x 16 mm) or eye bolts (M8 x 15 mm). For details on installing the bracket, refer to the corresponding manual.

## Using the BWS251-300 or BWS251-400 wall mounting bracket

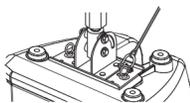
The tilt angle depends on the position relation between the speaker and the wall. The maximum downward tilt angle is shown in the following chart.

Maximum tilt angle	BWS251-300	BWS251-400
DBR15	8°	17.5°
DBR12	11°	23°
DBR10	20°	35°

## Using the BCS251 ceiling bracket

## Using the BBS251 baton bracket

**Note** In order to prevent the unit from falling down, attach the safety wire as shown in the illustration.



# General Specifications

General Specifications		DBR15	DBR12	DBR10
System Type		2-way, Bi-amp Powered Speaker, Bass-reflex Type		
Frequency Range (-10dB)		49 Hz~20 kHz	52 Hz~20 kHz	
Coverage Angle (Horizontal x Vertical)		H90° x V60° Constant Directivity Horn		
Measured Maximum SPL (Peak) IEC Noise@1m		132 dB SPL	131 dB SPL	129 dB SPL
Crossover		2.1 kHz	2.1 kHz	
Power Amplifier	Power Rating	Dynamic 1000 W (LF: 800 W, HF: 200 W) Continuous 465 W (LF: 400 W, HF: 65 W)	700 W (LF: 500 W, HF: 200 W)	325 W (LF: 260 W, HF: 65 W)
	Power Consumption	74 W	60 W	
Components	LF	15" Cone, 2.5" Voice Coil	12" Cone, 2" Voice Coil	10" Cone, 2" Voice Coil
	HF	1.4" Voice Coil, Compression Driver	1" Voice Coil, Compression Driver	
Dimensions (WxHxD, Including Rubber Feet)		455 x 700 x 378 mm (17.9" x 27.6" x 14.9")	376 x 601 x 348 mm (14.8" x 23.7" x 13.7")	
Net Weight		19.3 kg (42.6 lbs)	15.8 kg (34.8 lbs)	
Handles		Side x 2	Top x 1	
Pole Socket		φ35 mm Bottom x 1	Bottom x 2 (Fit for M8 x 15 mm)	
Rigging Points		Bottom x 2, Rear x 1 (Fit for M8 x 15 mm)		
Optional Speaker Brackets		BBS251, BCS251, BWS251-300, BWS251-400		
I/O Connectors	Input	INPUT1: Combo x1, INPUT2: Combo x 1 + RCA-pin x 2		
	Output	XLR3-32 x 1 (CH1 Parallel Through or CH1+CH2 Mix)		
Input Sensitivity (Level: Center)		INPUT1: LINE: +10 dBu, MIC: -22 dBu, INPUT2: +10 dBu		
Maximum Input Level		INPUT1: LINE: +24 dBu, MIC: -8 dBu, INPUT2: +24 dBu		

0 dBu is referenced to 0.775 Vrms

Specifications and descriptions in this owner's manual are for information purposes only. Yamaha Corp. reserves the right to change or modify products or specifications at any time without prior notice. Since specifications, equipment or options may not be the same in every locale, please check with your Yamaha dealer.

# PRECAUTIONS

## PLEASE READ CAREFULLY BEFORE PROCEEDING

Please keep this manual in a safe place for future reference.

### WARNING

Always follow the basic precautions listed below to avoid the possibility of serious injury or even death from electrical shock, short-circuiting, damages, fire or other hazards. These precautions include, but are not limited to, the following:

#### Power supply/power cord

- Do not place the power cord near heat sources such as heaters or radiators, and do not excessively bend or otherwise damage the cord, place heavy objects on it, or place it in a position where anyone could walk on, trip over, or roll anything over it.
- Only use the voltage specified as correct for the device. The required voltage is printed on the name plate of the device.
- Use only the supplied power cord/plug.
- Check the electric plug periodically and remove any dirt or dust which may have accumulated on it.
- Be sure to connect to an appropriate outlet with a protective grounding connection. Improper grounding can result in electrical shock, damage to the device(s), or even fire.

#### Do not open

- This device contains no user-serviceable parts. Do not open the device or attempt to disassemble the internal parts or modify them in any way. If it should appear to be malfunctioning, discontinue use immediately and have it inspected by qualified Yamaha service personnel.

#### Water warning

- Do not expose the device to rain, use it near water or in damp or wet conditions, or place it in any containers (such as vases, bottles or glasses) containing liquids which might spill into any openings. If any liquid such as water seeps into the device, turn off the power immediately and unplug the power cord from the AC outlet. Then have the device inspected by qualified Yamaha service personnel.
- Never insert or remove an electric plug with wet hands.

#### Fire warning

- Do not put burning items, such as candles, on the unit. A burning item may fall over and cause a fire.

#### If you notice any abnormality

- When one of the following problems occur, immediately turn off the power switch and disconnect the electric plug from the outlet. Then have the device inspected by Yamaha service personnel.
  - The power cord or plug becomes frayed or damaged.
  - It emits unusual smells or smoke.
  - Some object has been dropped into the device.
  - There is a sudden loss of sound during use of the device.
- If this device should be dropped or damaged, immediately turn off the power switch, disconnect the electric plug from the outlet, and have the device inspected by qualified Yamaha service personnel.

### CAUTION

Always follow the basic precautions listed below to avoid the possibility of physical injury to you or others, or damage to the device or other property. These precautions include, but are not limited to, the following:

#### Power supply/power cord

- When removing the electric plug from the device or an outlet, always hold the plug itself and not the cord. Pulling by the cord can damage it.
- Remove the electric plug from the outlet when the device is not to be used for extended periods of time, or during electrical storms.

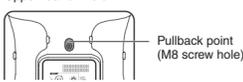
#### Location

- Do not place the device in an unstable position where it might accidentally fall over.
- Do not block the vents. This device has ventilation holes at the rear to prevent the internal temperature from becoming too high. In particular, do not place the device on its side or upside down. Inadequate ventilation can result in overheating, possibly causing damage to the device(s), or even fire.
- When installing the device:
  - Do not cover it with any cloth.
  - Do not install it on a carpet or rug.
  - Do not use the device in a confined, poorly-ventilated location.
- Inadequate ventilation can result in overheating, possibly causing damage to the device(s), or even fire. Make sure that there is adequate space around the device: at least 30cm above, 30cm at the sides and 30cm behind.
- Do not use the speaker's handles for suspended installation. Doing so can result in damage or injury.
- Do not hold the bottom of the device when transporting or moving it. In doing so, you may pinch your hands under the device, and result in injury.
- Do not press the rear panel of the device against the wall. Doing so may cause the plug to come in contact with the wall and detach from the power cord, resulting in short circuiting, malfunction, or even fire.

## Securing the screws and eye bolts

- Insert the screw or eye bolt through the washer to attach them.

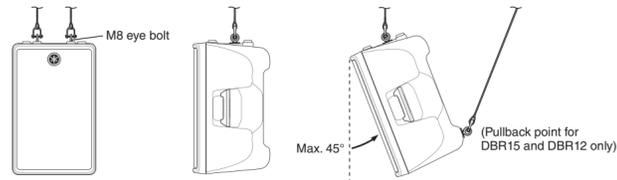
Upper rear of the unit



## Installation using eye bolts

Attach commercially-available eye bolts (M8 x 15 mm) to the screw holes located at the bottom (two locations) and on the upper rear (one location, only for DBR15 and DBR12). Keep in mind that you will need two points at the bottom to suspend the unit.

**Note** Make sure to use eye bolts according to the standards and safety regulations in your area.



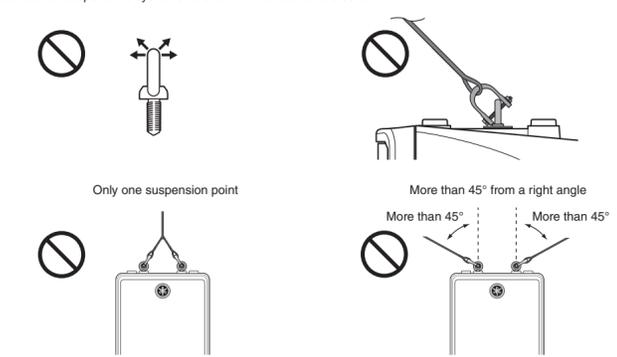
## NOTICE

The strength of an eye bolt differs depending on the suspension angle. Make sure to use eye bolts within a range of 0 to 45 degrees from a right angle (as shown).

**Correct:** Within 45° from a right angle



**Incorrect:** Do not suspend the eye bolts as shown in the illustrations below.



## FCC INFORMATION (U.S.A.)

### 1. IMPORTANT NOTICE: DO NOT MODIFY THIS UNIT!

This product, when installed as indicated in the instructions contained in this manual, meets FCC requirements. Modifications not expressly approved by Yamaha may void your authority, granted by the FCC, to use the product.

**2. IMPORTANT:** When connecting this product to accessories and/or another product use only high quality shielded cables. Cable's supplied with this product MUST be used. Follow all installation instructions. Failure to follow instructions could void your FCC authorization to use this product in the USA.

**3. NOTE:** This product has been tested and found to comply with the requirements listed in FCC Regulations, Part 15 for Class "B" digital devices. Compliance with these requirements provides a reasonable level of assurance that your use of this product in a residential environment will not result in harmful interference with other electronic devices. This equipment generates/uses radio frequencies and, if not installed and used according to the instructions found in the users manual, may cause interference harmful to the operation of other electronic devices. Compliance with FCC regulations does not guarantee that interference will not occur in all installations. If this product is found to be the source of interference, which can be determined by turning the unit "OFF" and "ON", please try to eliminate the problem by using one of the following measures:

Relocate either this product or the device that is being affected by the interference.  
Utilize power outlets that are on different branch (circuit breaker or fuse) circuits or install AC line filters.  
In the case of radio or TV interference, relocate/reorient the antenna. If the antenna lead-in is 300 ohm ribbon lead, change the lead-in to co-axial type cable.

If these corrective measures do not produce satisfactory results, please contact the local retailer authorized to distribute this type of product. If you can not locate the appropriate retailer, please contact Yamaha Corporation of America, Electronic Service Division, 6600 Orangethorpe Ave, Buena Park, CA 92620.

The above statements apply ONLY to those products distributed by Yamaha Corporation of America or its subsidiaries.

\* This applies only to products distributed by YAMAHA CORPORATION OF AMERICA.

## IMPORTANT NOTICE FOR THE UNITED KINGDOM

### Connecting the Plug and Cord

**WARNING:** THIS APPARATUS MUST BE EARTHED IMPORTANT. The wires in this mains lead are coloured in accordance with the following code:

GREEN-AND-YELLOW: EARTH  
BLUE: NEUTRAL  
BROWN: LIVE

As the colours of the wires in the mains lead of this apparatus may not correspond with the coloured markings identifying the terminals in your plug proceed as follows:

The wire which is coloured GREEN-and-YELLOW must be connected to the terminal in the plug which is marked by the letter E or by the safety earth symbol (⏏) or colored GREEN-or GREEN-and-YELLOW.  
The wire which is coloured BLUE must be connected to the terminal which is marked with the letter N or coloured BLACK.  
The wire which is coloured BROWN must be connected to the terminal which is marked with the letter L or coloured RED.

(3 wires)

For details of products, please contact your nearest Yamaha representative or the authorized distributor listed below.

NORTH AMERICA	MALTA	ASIA
<b>CANADA</b> Yamaha Canada Music Ltd. 135 Miller Avenue, Toronto, Ontario, M1S 3R1, Canada Tel: 416-298-1311	<b>Olimpus Music Ltd.</b> The Emporium, Level 3, St. Louis Street Msida MS1206 Tel: +356-213-2144	<b>THE PEOPLE'S REPUBLIC OF CHINA</b> Yamaha Music & Electronics (China) Co., Ltd. 2F, Yuetonghua, 1818 Xizhuolu, Jingan-qd, Shanghai, China Tel: 021-6247-2211
<b>U.S.A.</b> Yamaha Corporation of America 6600 Orangethorpe Avenue, Buena Park, CA 90620, U.S.A. Tel: 714-522-9011	<b>NETHERLANDS/BELGIUM/ LUXEMBOURG</b> Yamaha Music Europe Branch Benelux Clarendonhof S-B, 4133 AB Vianen, Netherlands Tel: 0347-338 040	<b>INDIA</b> Yamaha Music India Pvt. Ltd. Spazedge building, Ground Floor, Tower A, Sector 47, Gurgaon, Sohna Road, Gurgaon, Haryana, India Tel: 0124-485-3300
<b>MEXICO</b> Yamaha de México, S.A. de C.V. Av. Insurgentes Sur 1647 Piso 9, Col. San José Insurgentes, Delegación Benito Juárez, México, D.F., C. P. 03900 Tel: 55-5804-6000	<b>FRANCE</b> Yamaha Music Europe 7 rue Ambroise Croizat, Zone d'activités Pariest, 77183 Croissy-Beaubourg, France Tel: 01-64-61-4080	<b>INDONESIA</b> PT. Yamaha Musik Indonesia (Distributor) Yamaha Music Centre Bldg. Jalan Jend. Gatot Subroto Kav. 4, Jakarta 12930, Indonesia Tel: 021-520-2577
<b>BRAZIL</b> Yamaha Musical do Brasil Ltda. Rua Joaquim Floriano, 913 - Fº andar, Itaim Bibi, CEP-04531-013 São Paulo, SP BRAZIL Tel: 011-3704-1377	<b>SPAIN/PORTUGAL</b> Yamaha Music Europe GmbH Iberica, Sucursal en España Ctra. de la Corona km. 17,200, 28231 Las Rozas (Madrid), Spain Tel: +34-91-639-88-88	<b>KOREA</b> Yamaha Music Korea Ltd. 8F, 9F, Dongsung Bldg. 138-9 Samsung-Dong, Kangnam-Gu, Seoul, Korea Tel: 02-3467-3300
<b>ARGENTINA</b> Yamaha Music Latin America, S.A., Sucursal Argentina Olga Cossetini 1553, Piso 4 Norte, Maduro Este-C1107CER Buenos Aires, Argentina Tel: 011-4119-7000	<b>GREECE</b> Philippou Nakas S.A. The Music House 147 Skiatou Street, 112-55 Athens, Greece Tel: 01-228 1160	<b>MALAYSIA</b> Yamaha Music (Malaysia) Sdn. Bhd. No. 8, Jalan Perbandaran, Kelana Jaya, 47301 Petaling Jaya, Selangor, Malaysia Tel: 03-78030900
<b>VENEZUELA</b> Yamaha Music Latin America, S.A., Sucursal Venezuela C.C. Manzaneras Plaza P4 Ofic. 4001 - Manzaneras-Baruta Caracas Venezuela Tel: 58-212-943-1877	<b>IRELAND</b> Yamaha Music Europe GmbH Ireland Sienstrasse 22-34, 25462 Rellingen, Germany Tel: 04101-3030	<b>SINGAPORE</b> Yamaha Music (Asia) Private Limited Block 202 Hooqung Street 21, #02-00, Singapore 330202, Singapore Tel: 65-6747-4374
<b>EUROPE</b> Yamaha Music Europe GmbH Sienstrasse 22-34, 25462 Rellingen, Germany Tel: 04101-3030	<b>NETHERLANDS</b> Yamaha Music Europe GmbH (UK) Merkez Almany Türkiye Istanbul Maslak Meydan Sokak No:5 Spring City Plaza Bagimsiz Bld. No:3, 34398 Şişli İstanbul Tel: +90-212-0999-8010	<b>TAIWAN</b> Yamaha Music & Electronics Taiwan Co., Ltd. 3F, No. 6, Section 2 Nan-Jing East Road, Taipei, Taiwan R.O.C. Tel: 02-2511-8688
<b>SWITZERLAND/LIECHTENSTEIN</b> Yamaha Music Europe GmbH (UK) Merkez Almany Türkiye Istanbul Maslak Meydan Sokak No:5 Spring City Plaza Bagimsiz Bld. No:3, 34398 Şişli İstanbul Tel: +90-212-0999-8010	<b>RUSSIA</b> Yamaha Music (Russia) LLC. Room 37, Bld. 7, Kevskaya Street, Moscow, 121059, Russia Tel: +7-495-626-5805	<b>THAILAND</b> Siam Music Yamaha Co., Ltd. 3, 4, 15 and 16th floor, Siam Makos Building, 891/1 Rama 1 Road, Wangmai, Pathumwan, Bangkok 10330, Thailand Tel: 02-2511-2622
<b>GERMANY</b> Yamaha Music Europe GmbH Sienstrasse 22-34, 25462 Rellingen, Germany Tel: 04101-3030	<b>OTHER EUROPEAN COUNTRIES</b> Yamaha Music Europe GmbH Sienstrasse 22-34, 25462 Rellingen, Germany Tel: +49-4101-3030	<b>VIETNAM</b> Yamaha Music Vietnam Company Limited 15th Floor, Nam A Bank Tower, 201-203 Cach Mang Thang Bui St., Ward 4, Dist. 3, Ho Chi Minh City, Vietnam Tel: +84-8-3813-1122
<b>NETHERLANDS</b> Yamaha Music Europe GmbH Sienstrasse 22-34, 25462 Rellingen, Germany Tel: 04101-3030	<b>OTHER EUROPEAN COUNTRIES</b> Yamaha Music Europe GmbH Sienstrasse 22-34, 25462 Rellingen, Germany Tel: +49-4101-3030	<b>OTHER ASIAN COUNTRIES</b> Yamaha Corporation Sales & Marketing Division Nakazawa-cho 10-1, Nakaka, Hamamatsu, Japan 430-8650 Tel: +81-53-460-2312
<b>NETHERLANDS</b> Yamaha Music Europe GmbH Sienstrasse 22-34, 25462 Rellingen, Germany Tel: 04101-3030	<b>OTHER EUROPEAN COUNTRIES</b> Yamaha Music Europe GmbH Sienstrasse 22-34, 25462 Rellingen, Germany Tel: +49-4101-3030	<b>AUSTRALIA</b> Yamaha Music Australia Pty. Ltd. Level 1, 99 Queensland Street, Southbank, Victoria 3006, Australia Tel: 3-9693-5111
<b>NETHERLANDS</b> Yamaha Music Europe GmbH Sienstrasse 22-34, 25462 Rellingen, Germany Tel: 04101-3030	<b>OTHER EUROPEAN COUNTRIES</b> Yamaha Music Europe GmbH Sienstrasse 22-34, 25462 Rellingen, Germany Tel: +49-4101-3030	<b>TERRITORIES IN PACIFIC OCEAN</b> Yamaha Corporation Sales & Marketing Division Nakazawa-cho 10-1, Nakaka, Hamamatsu, Japan 430-8650 Tel: +81-53-460-2312
<b>NETHERLANDS</b> Yamaha Music Europe GmbH Sienstrasse 22-34, 25462 Rellingen, Germany Tel: 04101-3030	<b>OTHER EUROPEAN COUNTRIES</b> Yamaha Music Europe GmbH Sienstrasse 22-34, 25462 Rellingen, Germany Tel: +49-4101-3030	<b>MIDDLE EAST</b> Yamaha Music Gulf FZE Office JAFZA 16-512, PO Box 17328, Jebel Ali - Dubai, UAE Tel: +971-4-881-8868
<b>NETHERLANDS</b> Yamaha Music Europe GmbH Sienstrasse 22-34, 25462 Rellingen, Germany Tel: 04101-3030	<b>OTHER EUROPEAN COUNTRIES</b> Yamaha Music Europe GmbH Sienstrasse 22-34, 25462 Rellingen, Germany Tel: +49-4101-3030	<b>TURKEY</b> Yamaha Music Europe GmbH Merkez Almany Türkiye Istanbul Maslak Meydan Sokak No:5 Spring City Plaza Bagimsiz Bld. No:3, 34398 Şişli İstanbul Tel: +90-212-0999-8010
<b>NETHERLANDS</b> Yamaha Music Europe GmbH Sienstrasse 22-34, 25462 Rellingen, Germany Tel: 04101-3030	<b>OTHER EUROPEAN COUNTRIES</b> Yamaha Music Europe GmbH Sienstrasse 22-34, 25462 Rellingen, Germany Tel: +49-4101-3030	<b>CYPRUS</b> Yamaha Music Europe GmbH Sienstrasse 22-34, 25462 Rellingen, Germany Tel: 04101-3030
<b>NETHERLANDS</b> Yamaha Music Europe GmbH Sienstrasse 22-34, 25462 Rellingen, Germany Tel: 04101-3030	<b>OTHER EUROPEAN COUNTRIES</b> Yamaha Music Europe GmbH Sienstrasse 22-34, 25462 Rellingen, Germany Tel: +49-4101-3030	<b>OTHER COUNTRIES</b> Yamaha Music Gulf FZE Office JAFZA 16-512, PO Box 17328, Jebel Ali - Dubai, U.A.E Tel: +971-4-881-8868

PA36

**HEAD OFFICE** Yamaha Corporation, Audio Products Sales and Marketing Division  
Nakazawa-cho 10-1, Nakaka, Hamamatsu, Japan 430-8650

## Information for Users on Collection and Disposal of Old Equipment

This symbol on the products, packaging, and/or accompanying documents means that used electrical and electronic products should not be mixed with general household waste.

For proper treatment, recovery and recycling of old products, please take them to applicable collection points, in accordance with your national legislation and the Directives 2002/96/EC.

By disposing of these products correctly, you will help to save valuable resources and prevent any potential negative effects on human health and the environment which could otherwise arise from inappropriate waste handling.

For more information about collection and recycling of old products, please contact your local municipality, your waste disposal service or the point of sale where you purchased the items.

**[For business users in the European Union]**  
If you wish to discard electrical and electronic equipment, please contact your dealer or supplier for further information.

**[Information on Disposal in other Countries outside the European Union]**  
This symbol is only valid in the European Union. If you wish to discard these items, please contact your local authorities or dealer and ask for the correct method of disposal.

(weee\_eu\_en\_01)

In Finland: Laite on liitettävä suojamaadoituskoskettimilla varustettuun pistorasiaan.  
In Norway: Apparatet må tilkoples jordat stikkontakt.  
In Sweden: Apparatet skall anslutas till jordat uttag.

이 기기는 가정용(음극) 전자파차폐기기로써 주로 가정에서 사용하는 것을 목적으로 하며, 모든 지역에서 사용할 수 있습니다.

(class b korea)

(class 1 hokuo)

Yamaha Pro Audio global web site  
http://www.yamahaproaudio.com/

Yamaha Manual Library  
http://www.yamaha.co.jp/manual/

C.S.G., PA Development Division  
© 2014 Yamaha Corporation  
Published 07/2014 KSCZC - 01A0  
Printed in Indonesia